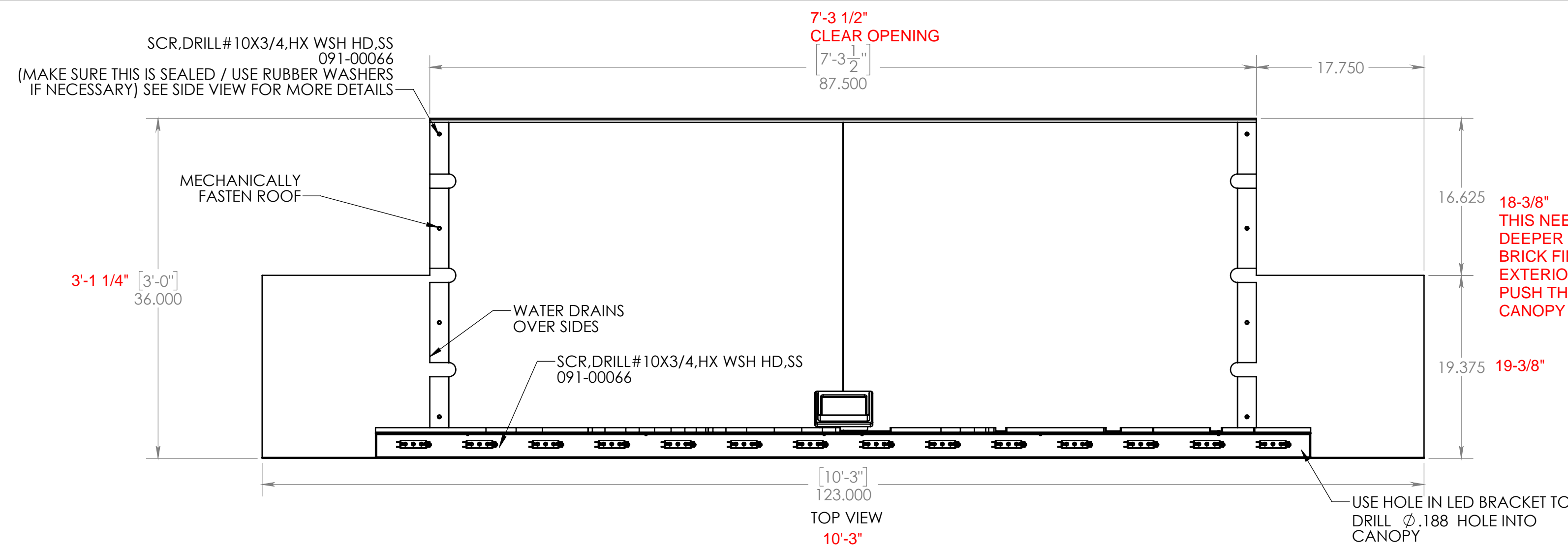
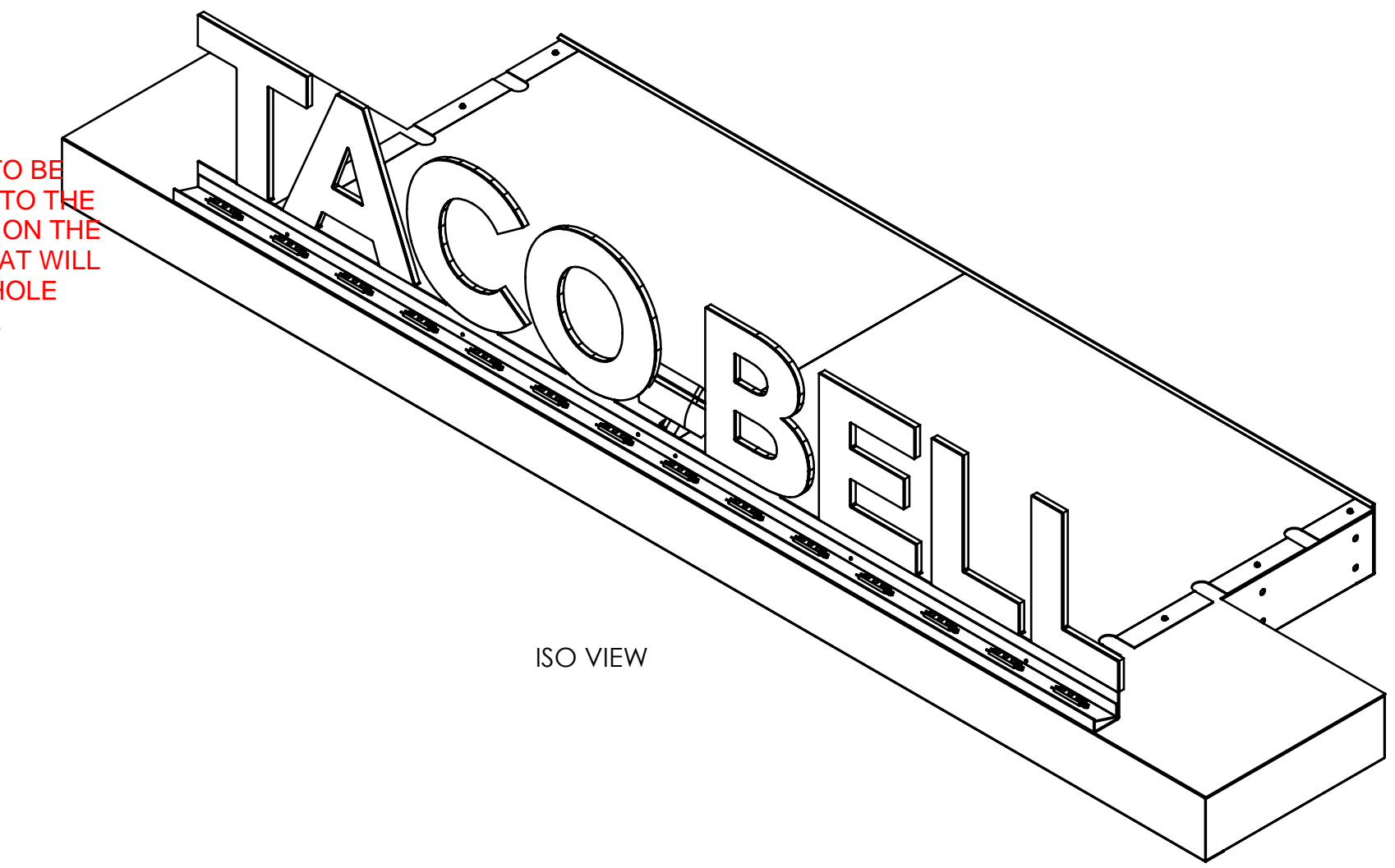


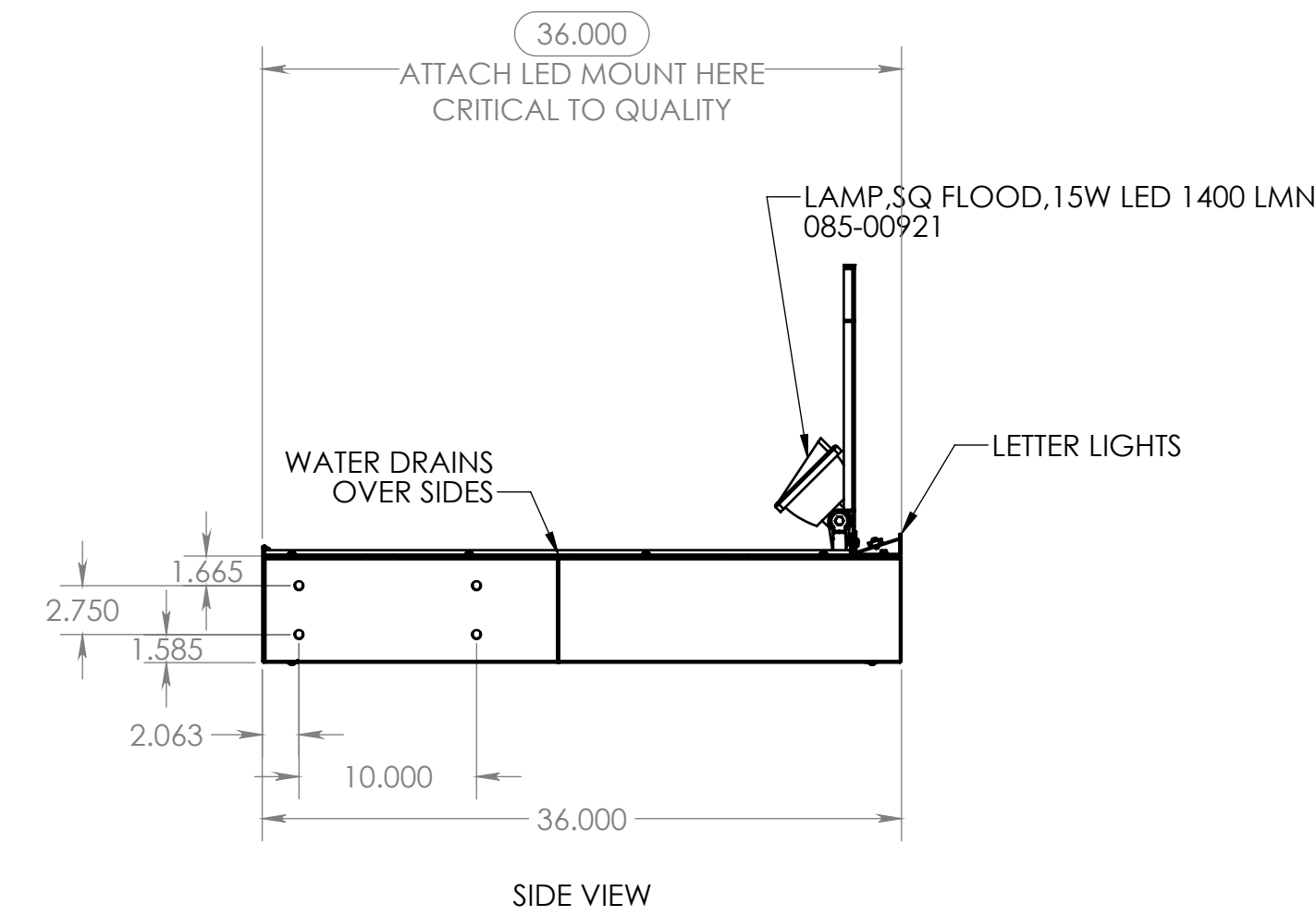
REVISIONS				
ZONE	REV.	DESCRIPTION	DATE	APPROVED
	02	RELEASED FOR SPEC / REVIEW	5/14/2018	LLC



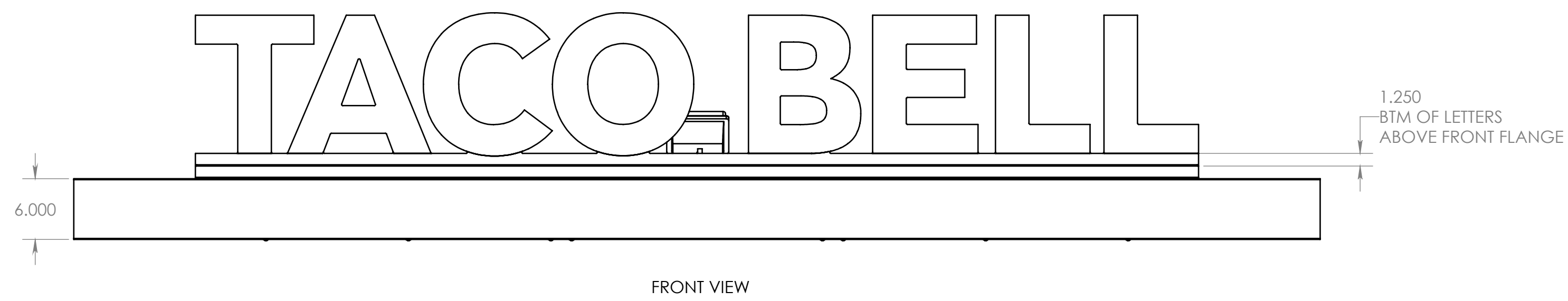
18-3/8"  
THIS NEEDS TO BE DEEPER DUE TO THE BRICK FINISH ON THE EXTERIOR THAT WILL PUSH THE WHOLE CANOPY OUT.



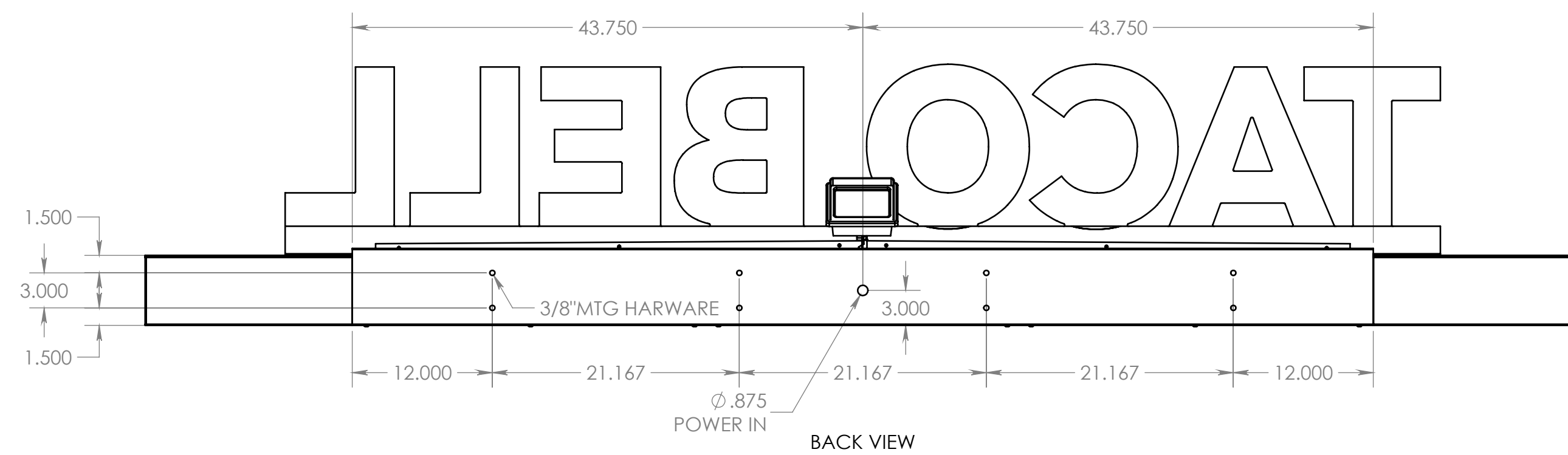
ISO VIEW



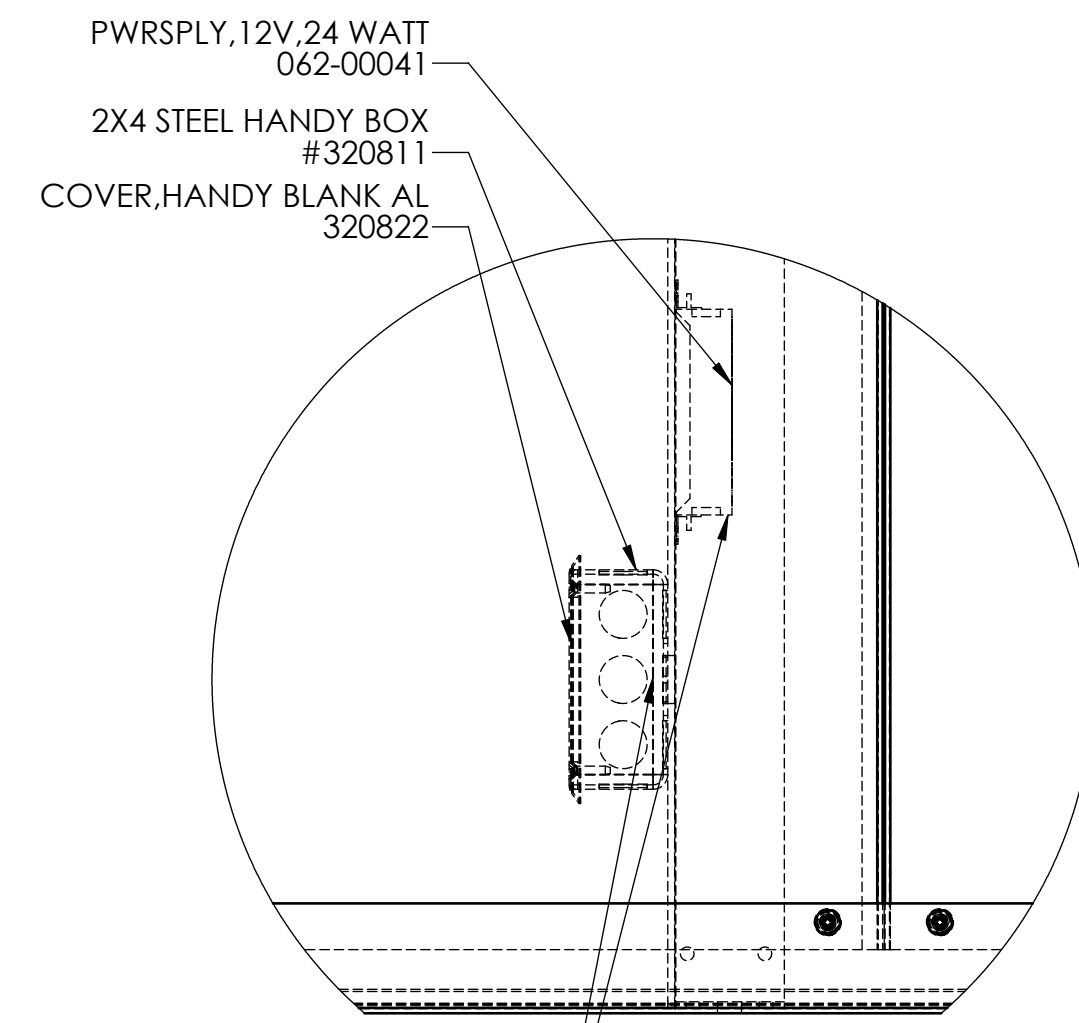
SIDE VIEW



FRONT VIEW



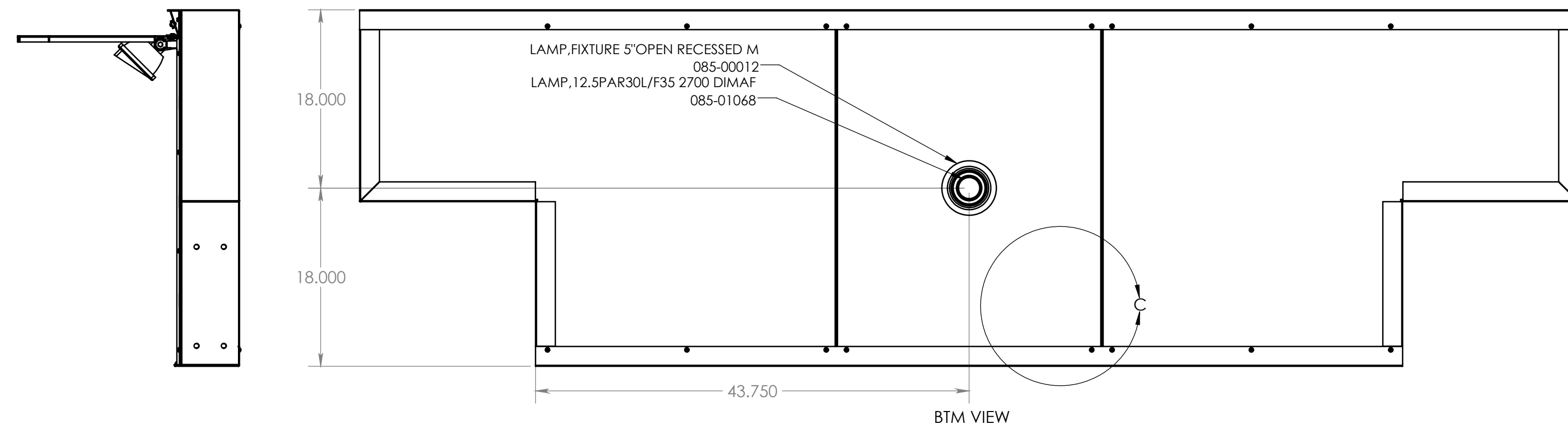
BACK VIEW



HANDY BOX AND POWER SUPPLY GET MOUNTED ON OPPOSITE SIDES OF RIB TO LET THE HIGH AND LOW VOLTAGE BE SEPERATED.

DETAIL C SCALE 2 : 7

DESCRIPTION	PartNo	QTY.
STRG.LED,LS-PRO260-50K-2G3B	076-00280	14
PWRSPLY,12V,24 WATT	062-00041	1
LAMP,SQ FLOOD,15W LED 1400 LMN	085-00921	1
LAMP,12.5PAR30L/F35 2700 DIMAF	085-01068	1
LAMP,FIXTURE 5'OPEN RECESSED M	085-00012	1
2X4 STEEL HANDY BOX	#320811	1
COVER,HANDY BLANK AL	320822	1
RIVNUT,ALS4-1024-130	#NU00003	16
#10-24 X .5 PH TRHD SCREW	122624	16
NUT,CONDUIT LOCK 1/2" ZP	705308	1
SCR,DRILL#10X3/4,HX WSH HD,SS	091-00066	12
WSHR,#10 NEOPRENE	WA00052P	11



BTM VIEW

**GENERAL NOTES:**  
1 CANOPIES MAKE UP THIS ORDER TO MAKE A SECTION RUN OF 10'3"

- **HEIGHT:** 6.000 "
- **WIDTH:** 123.000 "
- **DEPTH:** 36.000 "
- **WEIGHT:** 190.634 LBS PER CANOPY
- **ILLUMINATION:**
  - LED UPLIGHT
  - LED DOWNLIGHT
- **ENCLOSURE:**
  - 3003-H14 ALUMINUM SHEET
  - 6063-T6 ALUMINUM SHAPES
- **SERVICE:**
  - REMOVE ACCESS HATCHES ON BOTTOM
- **FINISH:**
  - DRYLAC POWDER COATINGS
  - 038/60080 STATUARY BRONZE

ALL WIRING AND ELECTRICAL CONNECTIONS ON SIGNS MUST BE INSTALLED IN ACCORDANCE WITH THE REQUIREMENTS OF ARTICLE 600 OF THE NATIONAL ELECTRICAL CODES AND/OR OTHER APPLICABLE LOCAL CODES. THIS INCLUDES PROPER GROUNDING AND BONDING OF SIGN ALL DISPLAYS ARE BUILT IN ACCORDANCE TO U/L SPECIFICATIONS AND SHALL BEAR THEIR LABEL.

OVERALL DETAILS				
ORD	ITEM	FILE	SHEET 1 OF 7	
401 South Main St. P.O. Box 100 Pardeeville, WI. 53954 608-429-2121				
These drawings are the exclusive property of Everbrite, Inc. Use of, or duplication in any manner without express written permission of Everbrite, Inc. is prohibited.				
<b>TITLE</b> CNPY,TB 10'3"X3'X6" W/LETTERS (Modern Exp)				
DRN	DT	SCALE	DRWG NR	REV
LLC	02/27/2018	1:10	PP372957D	02
GND	DT			