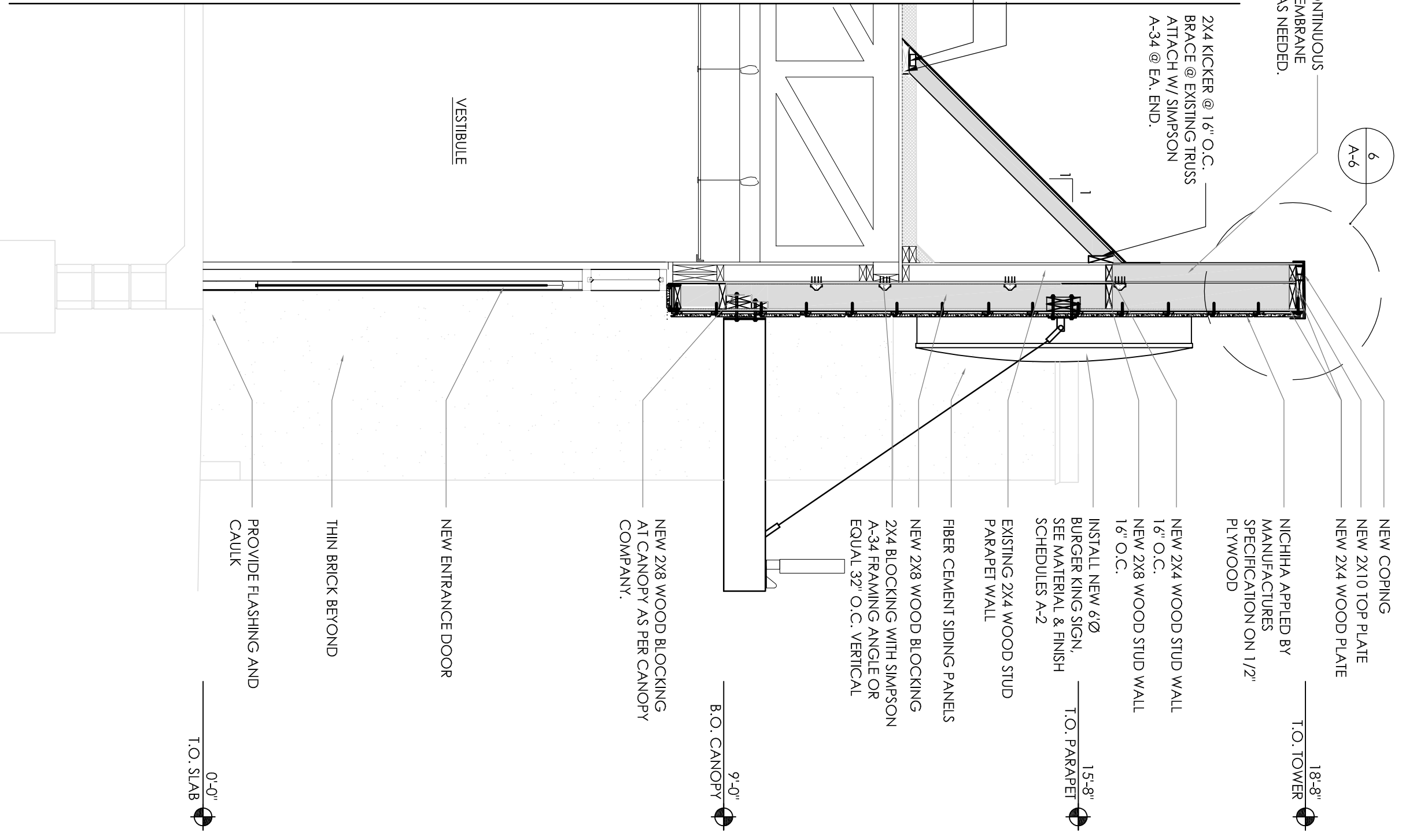
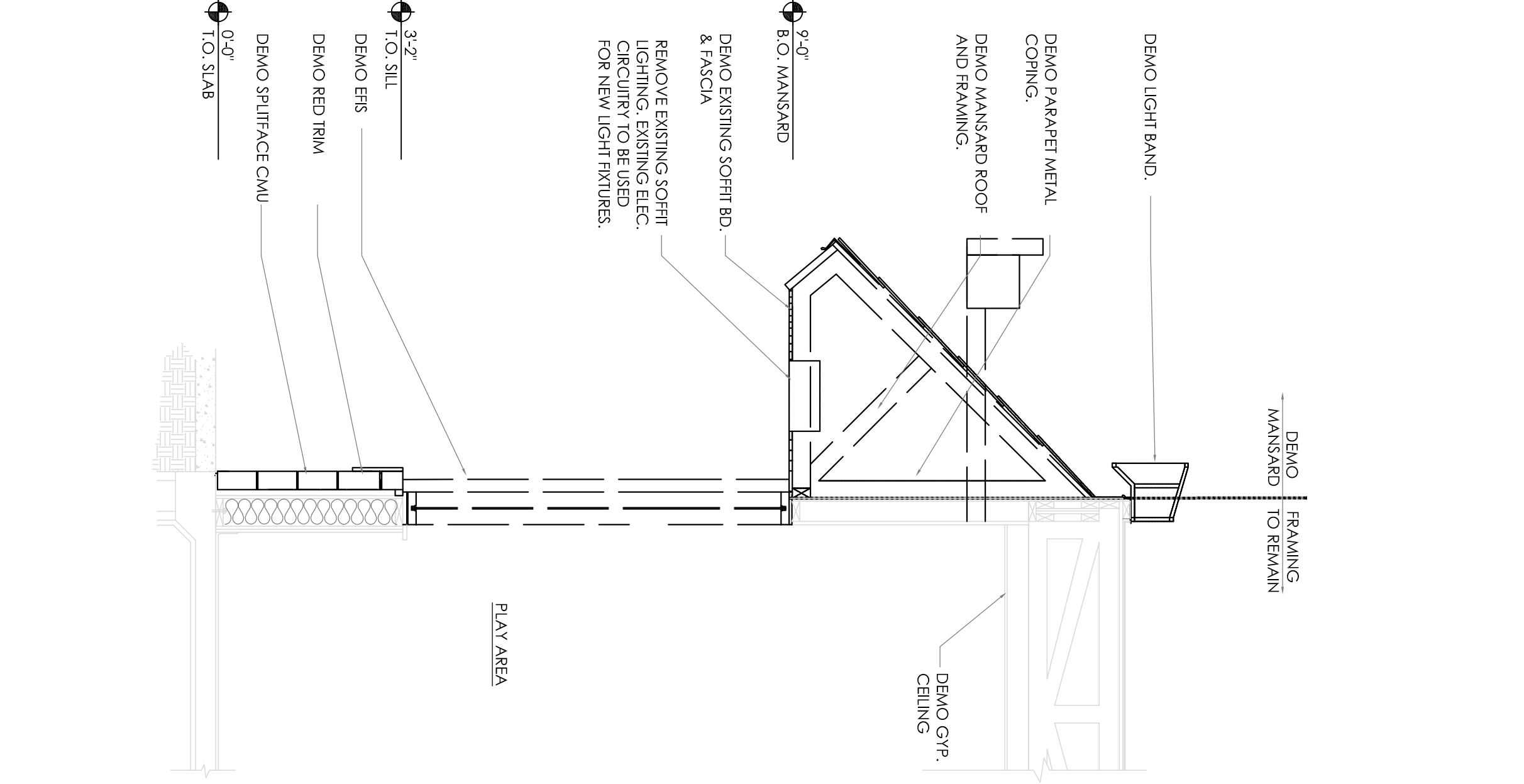


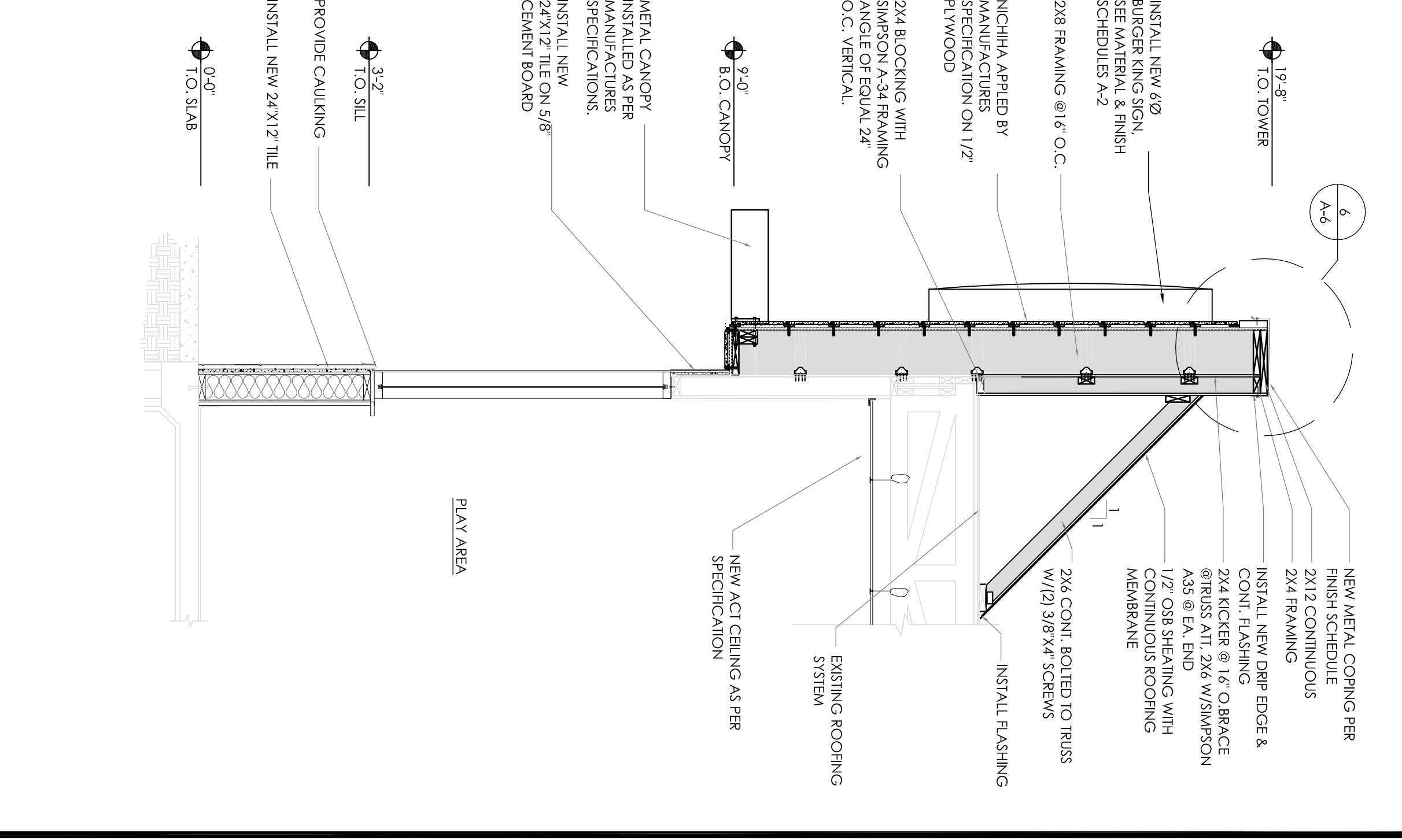
1 DEMO SECTION @ MAIN ENTRY
SCALE: 1/2" = 1'-0"



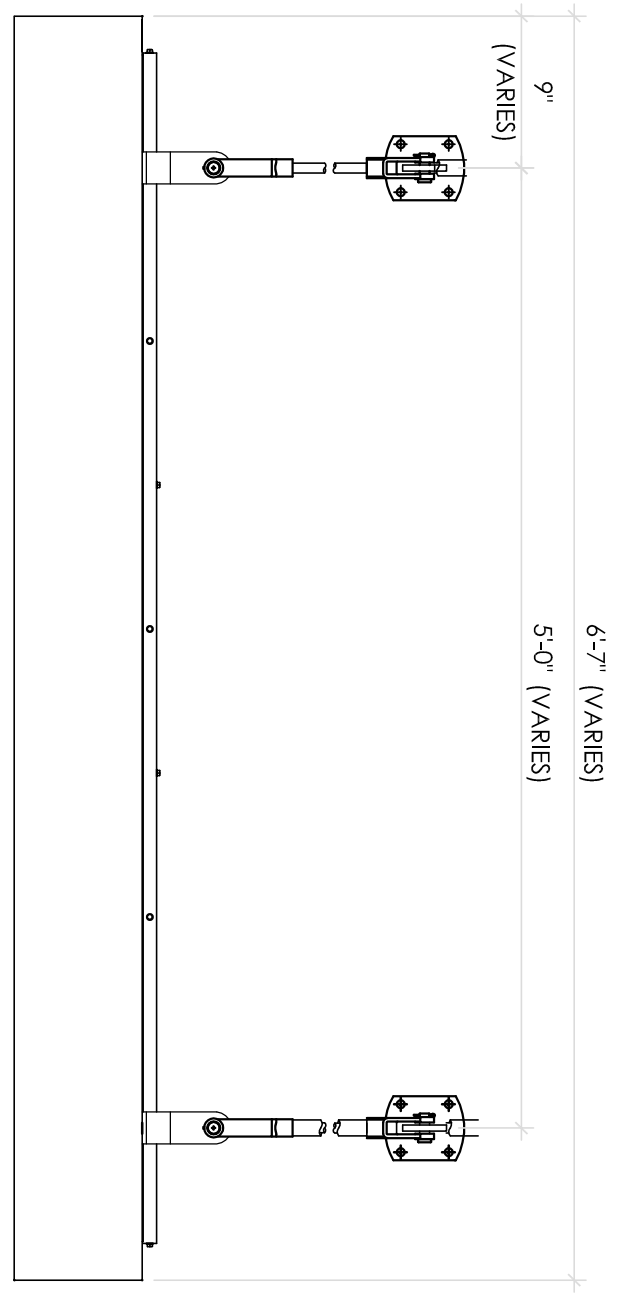
2 PROPOSED SECTION @ MAIN ENTRY
SCALE: 1/2" = 1'-0"



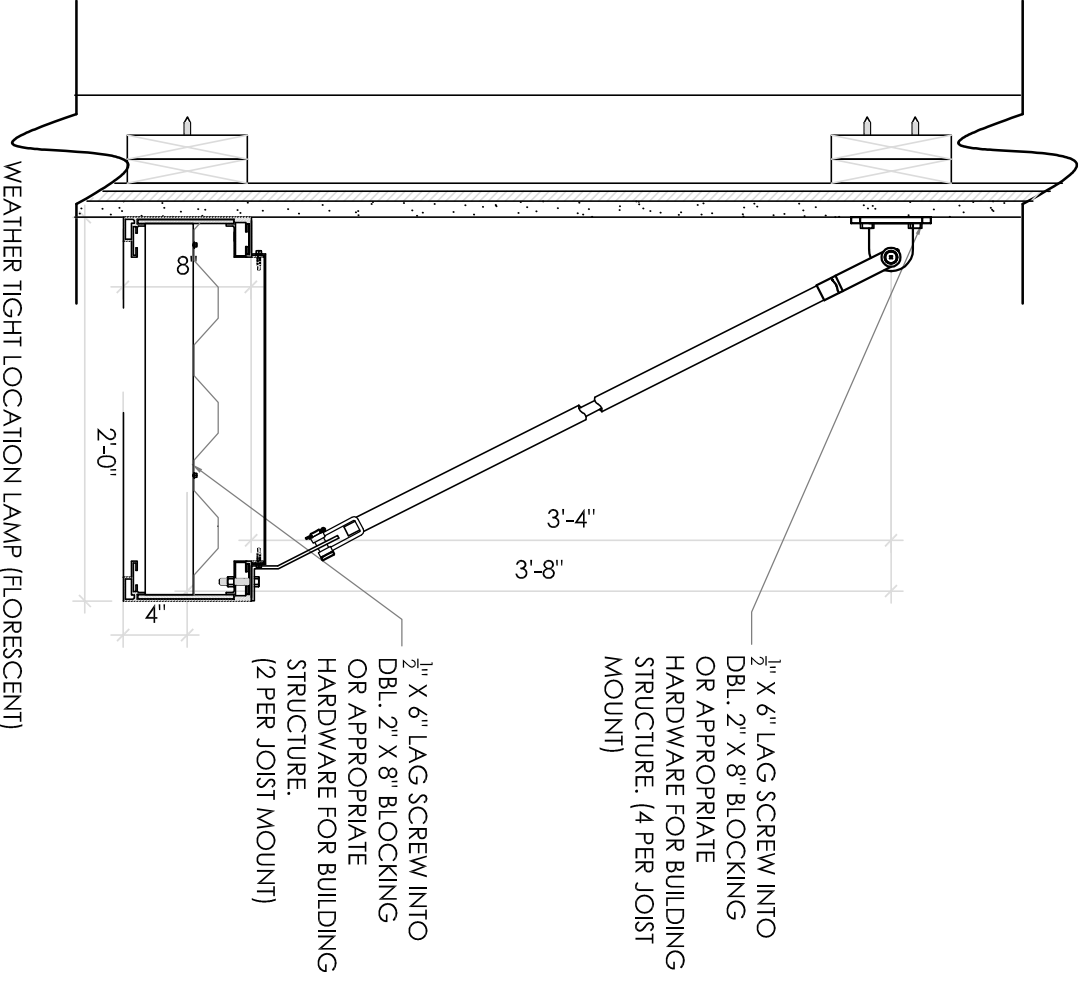
3 DEMO SECTION @ PLAY AREA
SCALE: 1/2" = 1'-0"



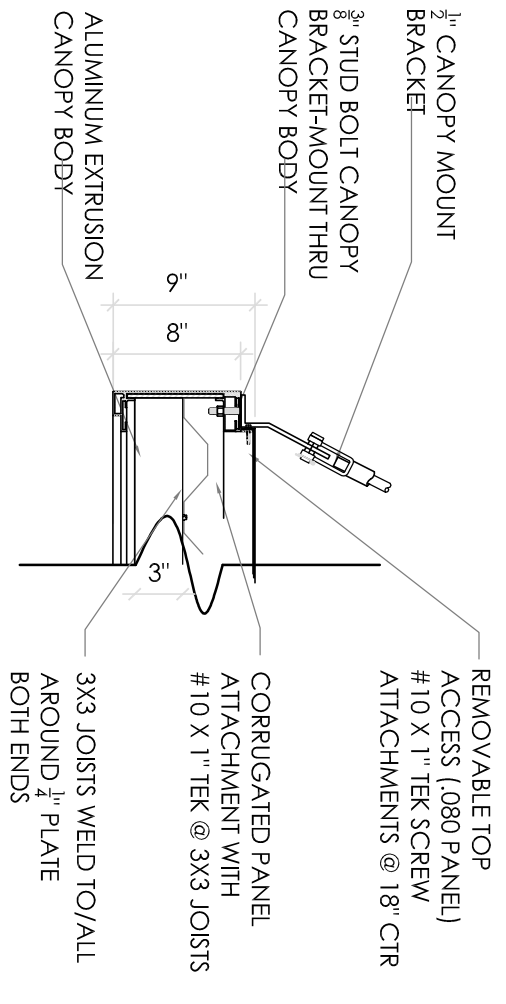
4 PROPOSED SECTION @ PLAY AREA
SCALE: 1/2" = 1'-0"



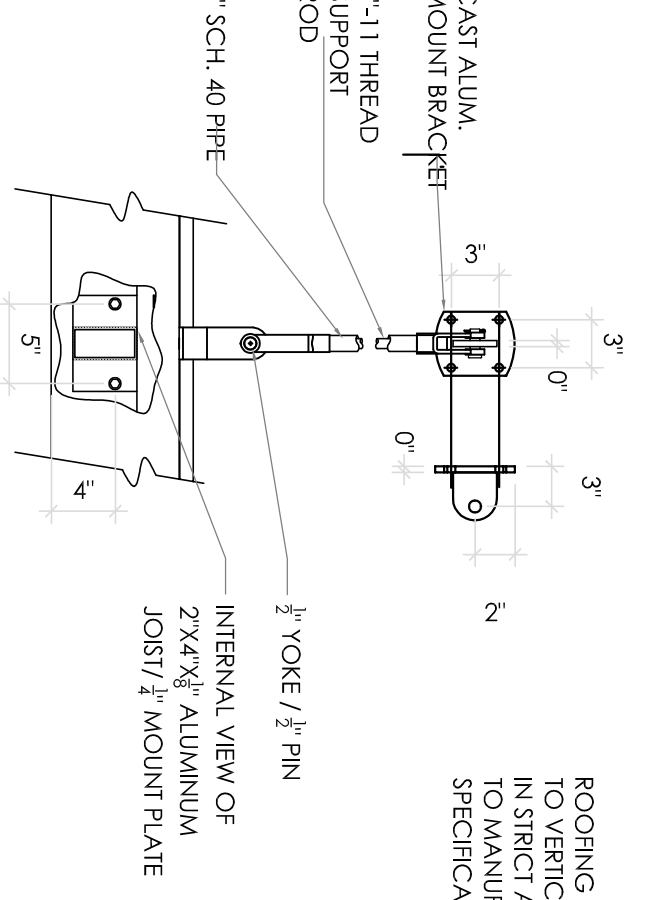
5 CANOPY DETAIL
SCALE: 1" = 1'-0"
NOT TO SCALE



6 PARAPET DETAIL
SCALE: 1" = 1'-0"
NOT TO SCALE



CANOPY SECTION THE ROD SUPPORT
SCALE: 1" = 1'-0"



CANOPY THE ROD SUPPORT DETAIL
SCALE: 1" = 1'-0"

No.	Date	By	Notes
1	01.31.2017	DB	SUBMITTED FOR BUILDING PERMIT

Drawn By: _____
Checked: JS
Scale: AS NOTED
Date: 07-26-2016

ALL RIGHTS RESERVED. NO PART OF THESE DRAWINGS OR SPECIFICATIONS MAY BE COPIED, REPRODUCED OR USED IN CONNECTION WITH ANY WORK, OTHER THAN THE SPECIFIC PROJECT FOR WHICH THEY HAVE BEEN PREPARED, WITHOUT PRIOR WRITTEN AUTHORIZATION FROM THE ARCHITECT.

BURGER KING CORPORATION

TECHNICAL GROUP, INC.
37716 Hills Tech Drive
Farmington Hills, MI 48331
(248) 426-8000
FAX (248) 426-7004

PROJECT	BURGER KING #10528 1500 W MICHIGAN AVE. BATTLE CREEK, MI
SHEET	TG-16405
SHEET TITLE WALL SECTIONS & DETAILS	