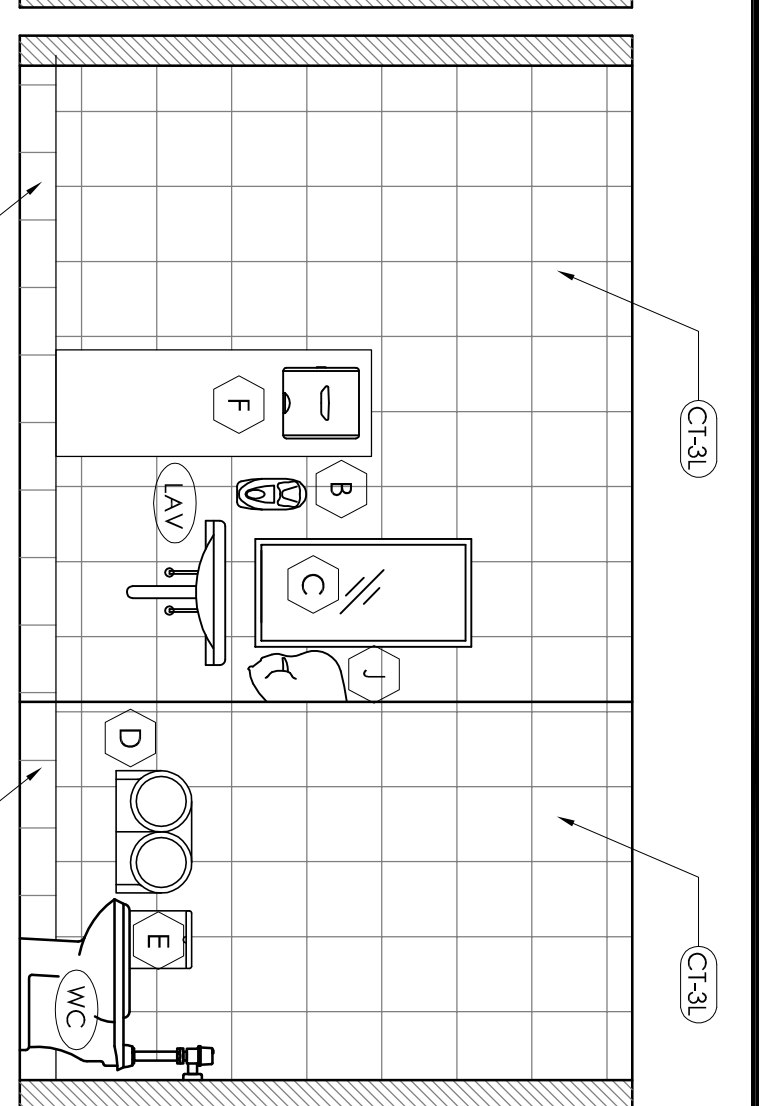
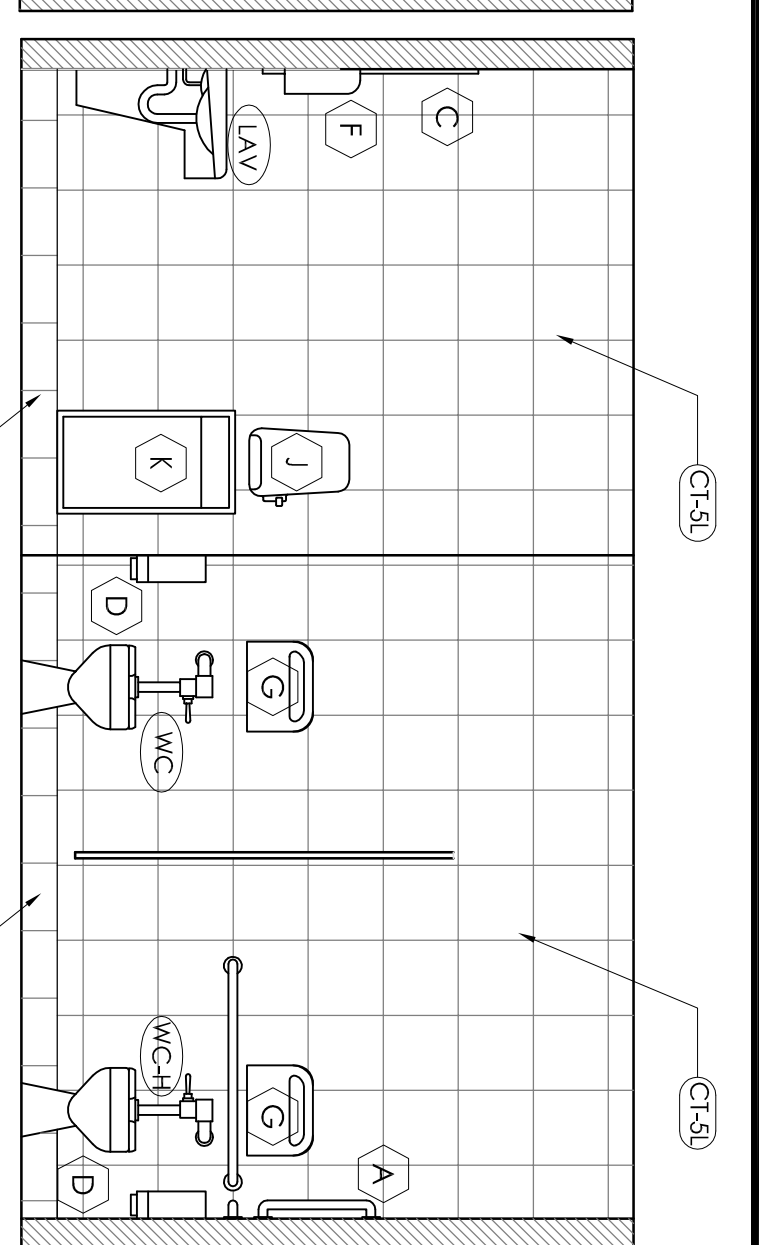


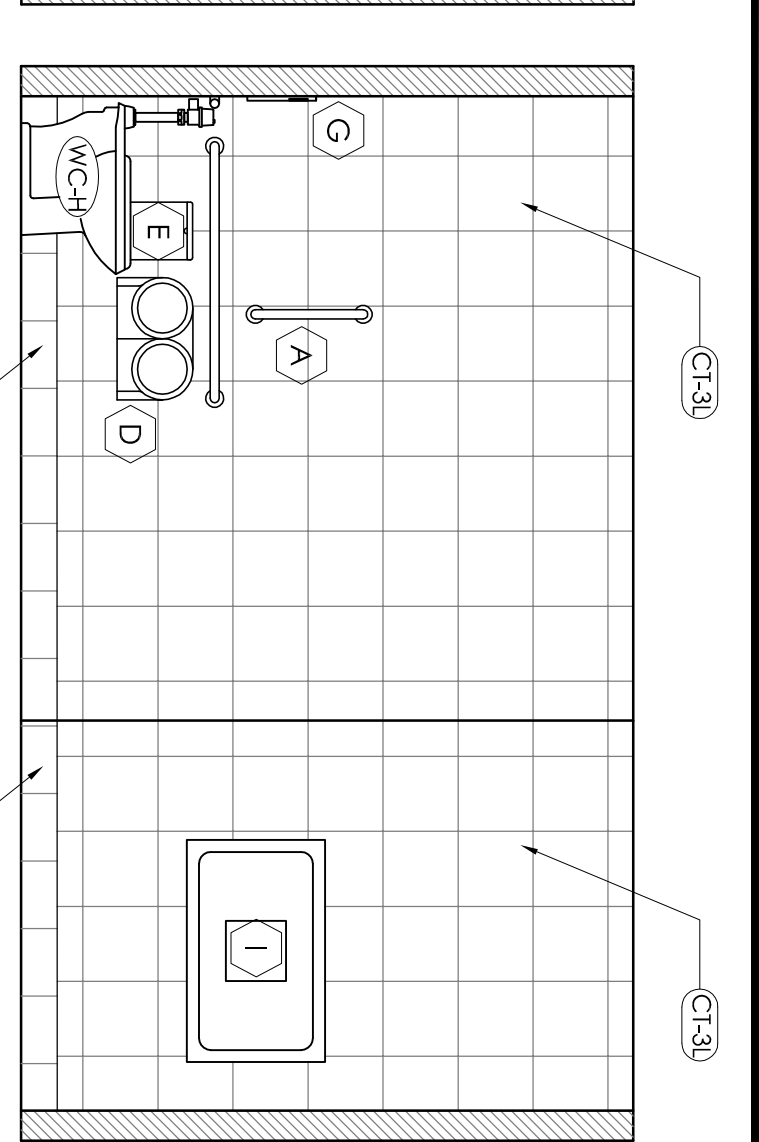
1 WOMEN'S RESTROOM ELEVATION
SCALE: 3/8" = 1'-0"



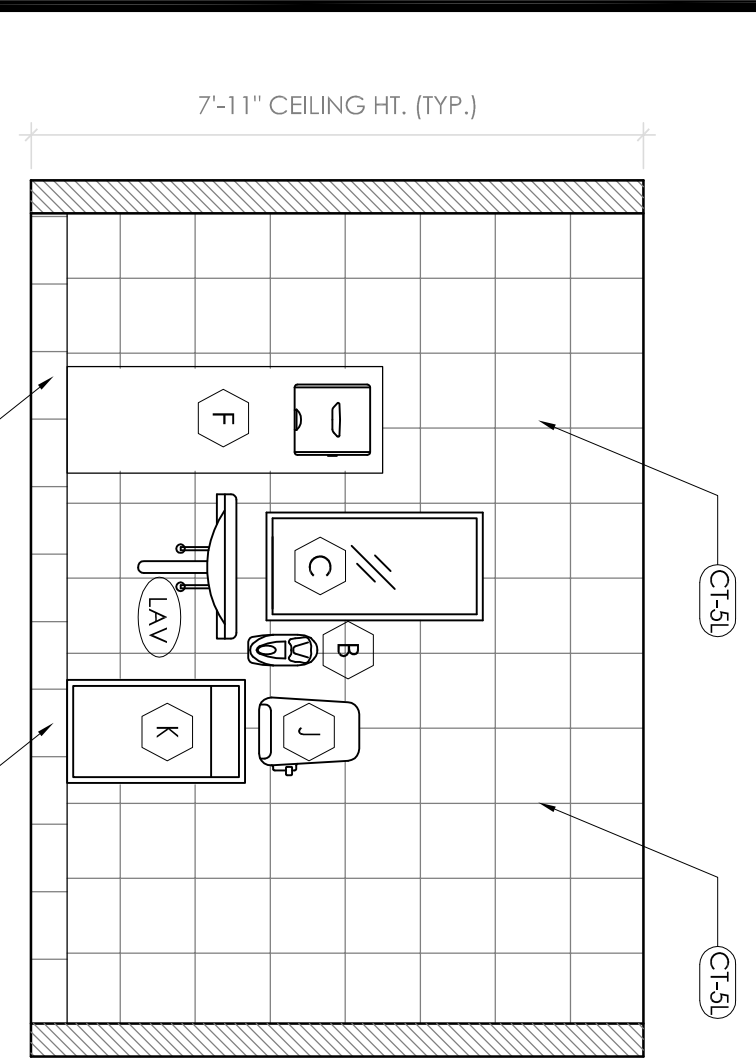
2 WOMEN'S RESTROOM ELEVATION
SCALE: 3/8" = 1'-0"



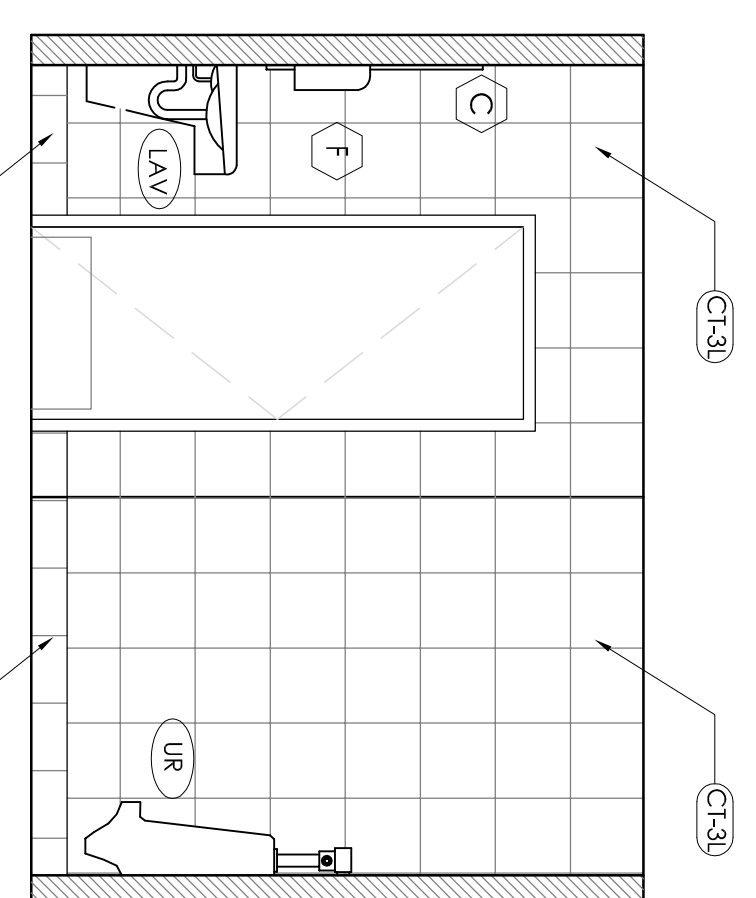
3 WOMEN'S RESTROOM ELEVATION
SCALE: 3/8" = 1'-0"



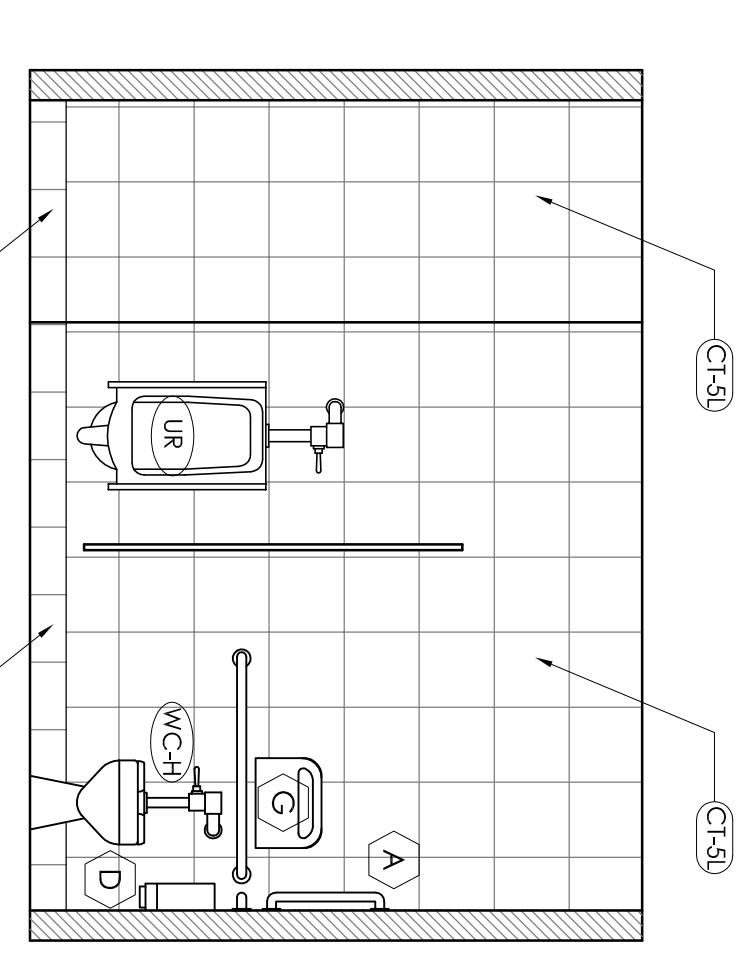
4 WOMEN'S RESTROOM ELEVATION
SCALE: 3/8" = 1'-0"



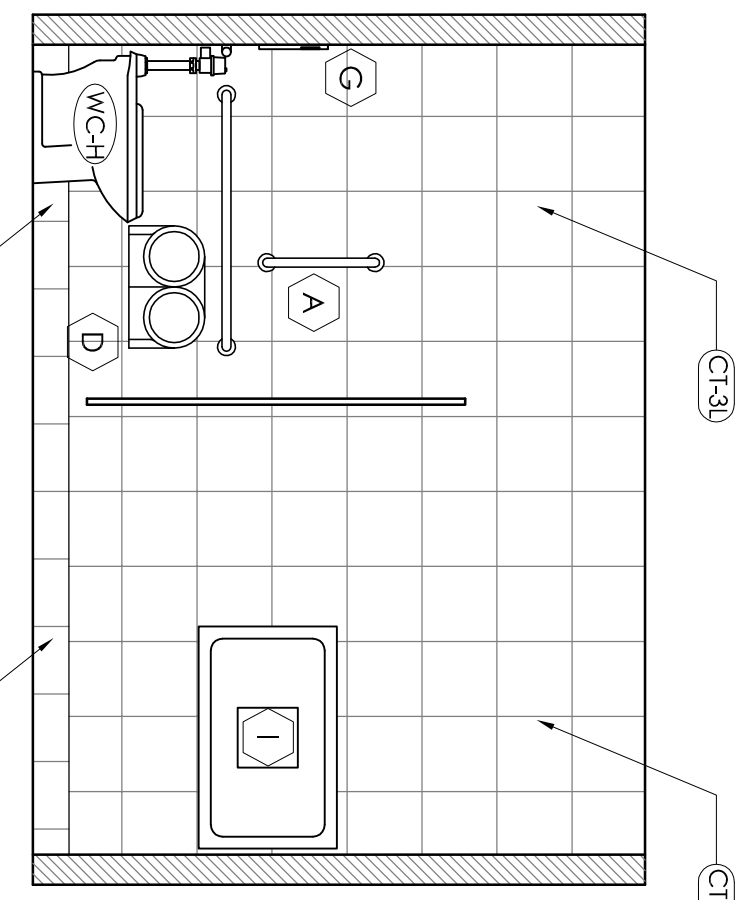
5 MEN'S RESTROOM ELEVATION
SCALE: 3/8" = 1'-0"



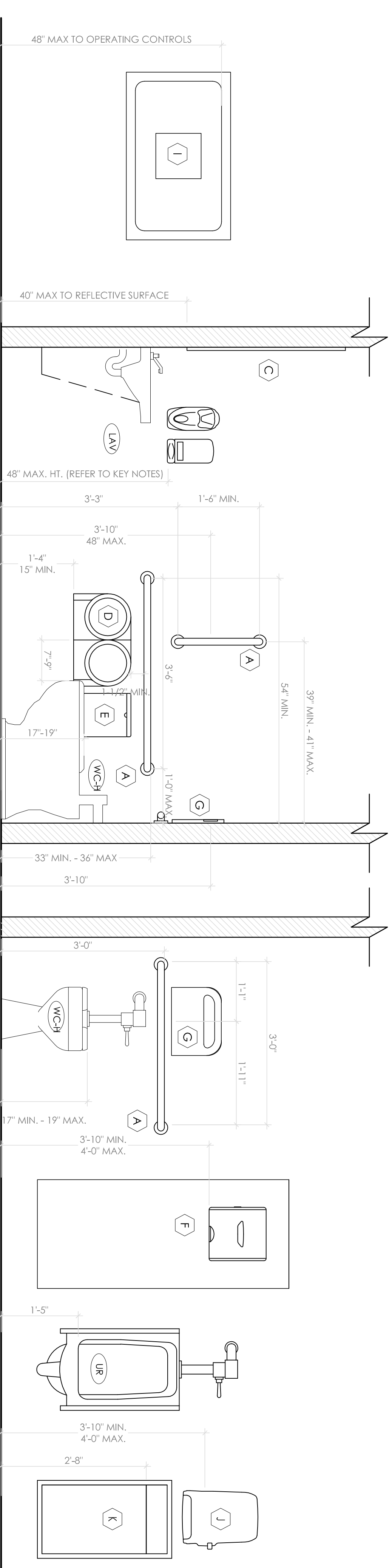
6 MEN'S RESTROOM ELEVATION
SCALE: 3/8" = 1'-0"



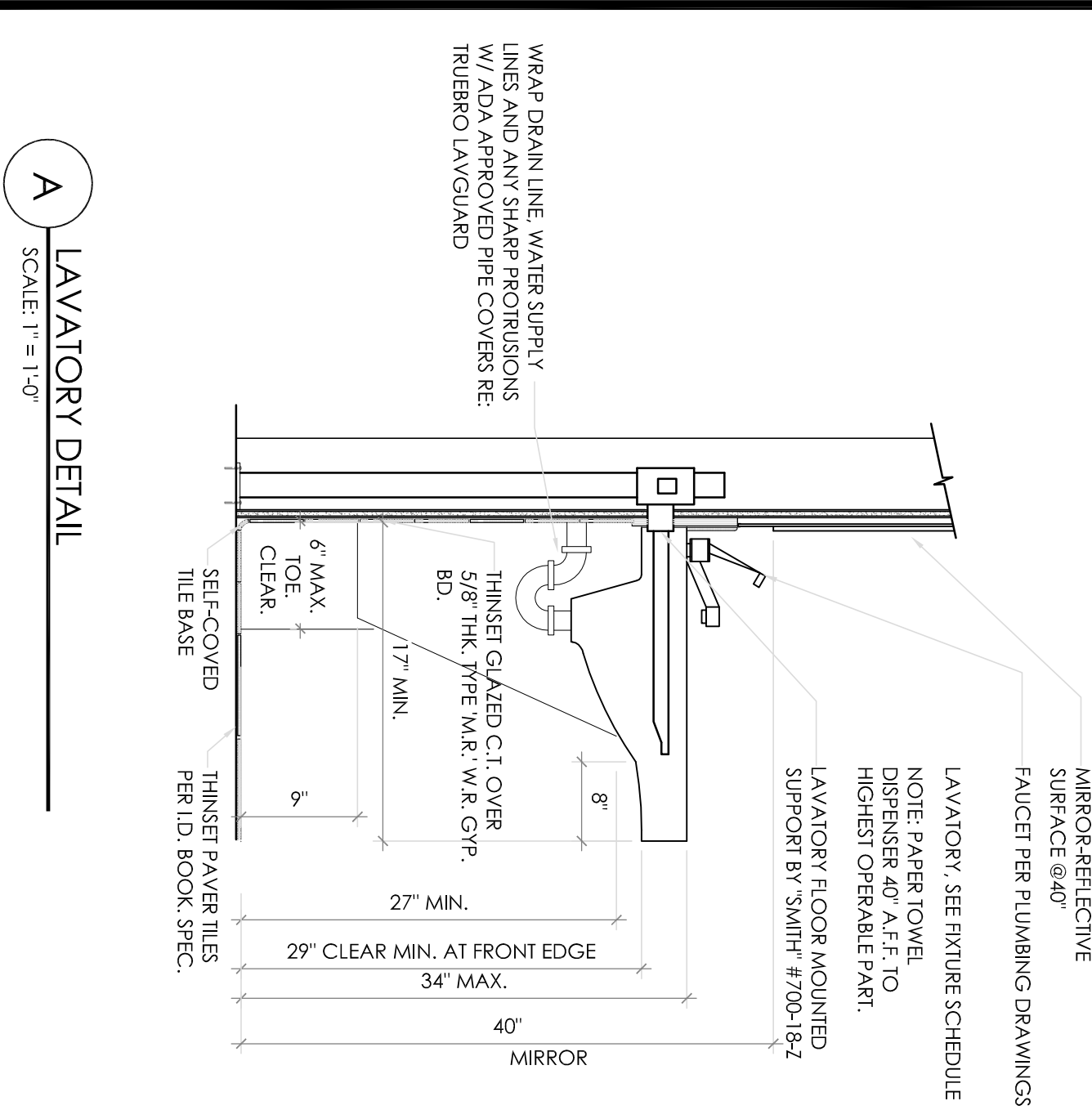
7 MEN'S RESTROOM ELEVATION
SCALE: 3/8" = 1'-0"



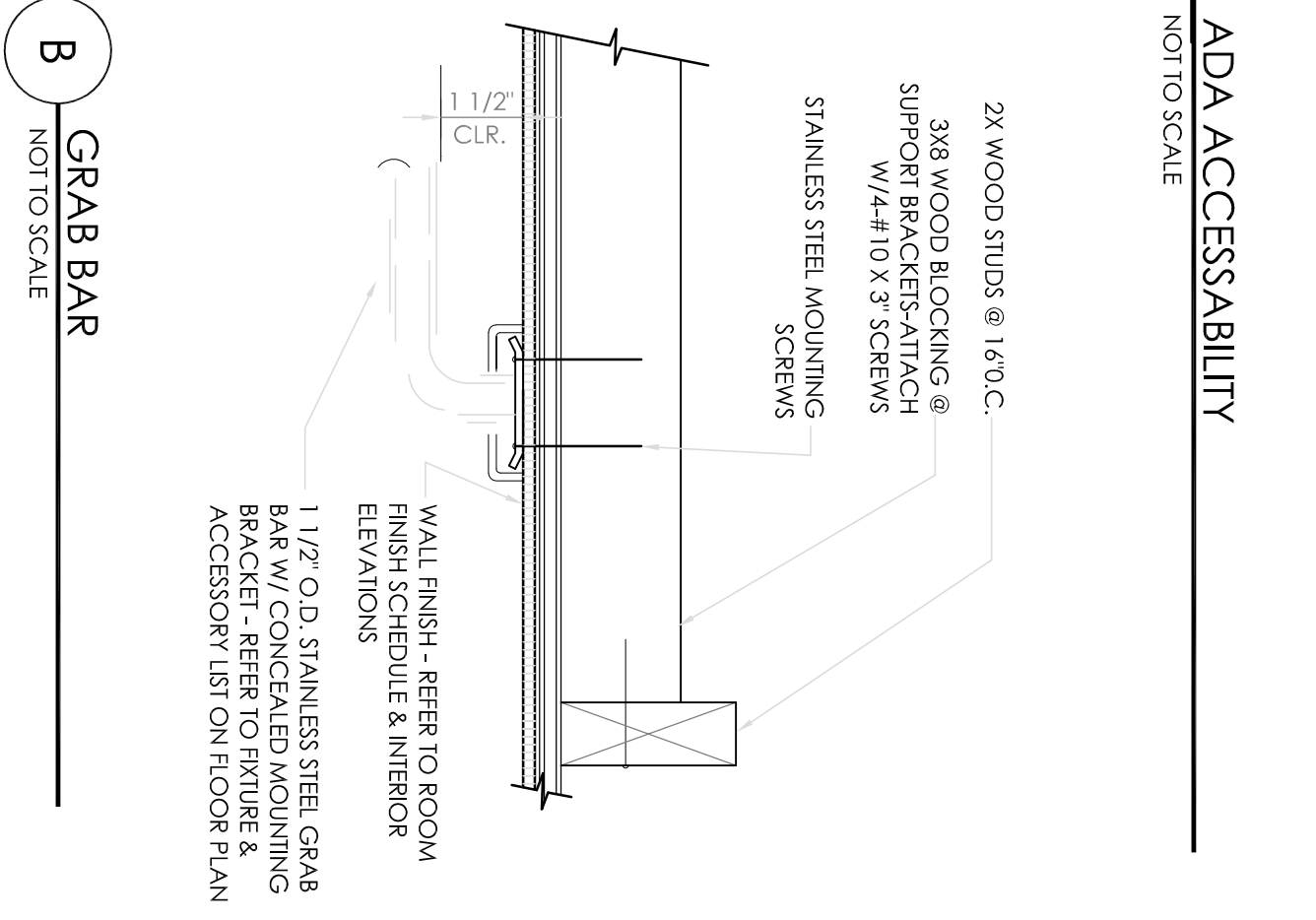
8 MEN'S RESTROOM ELEVATION
SCALE: 3/8" = 1'-0"



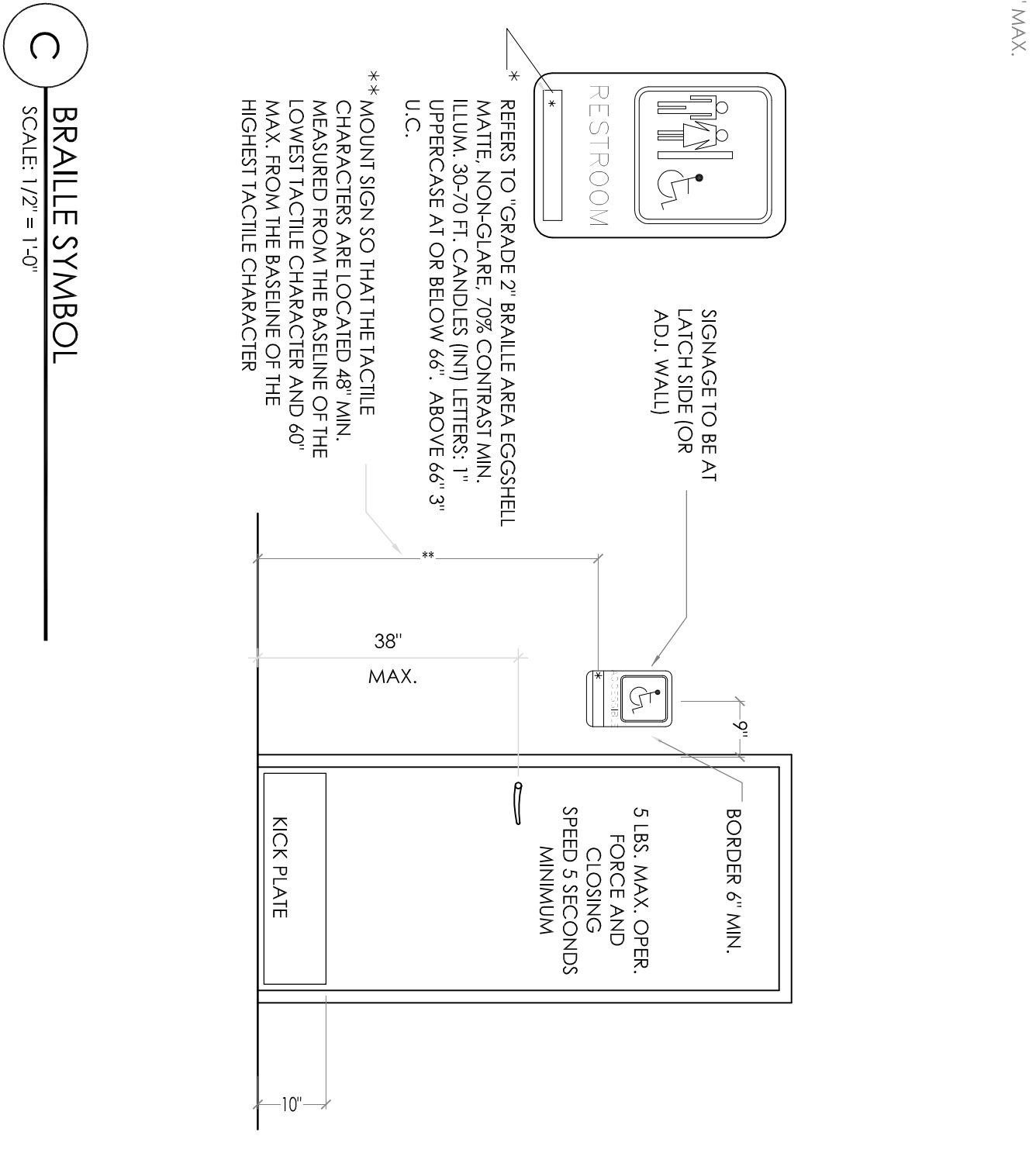
D ADA ACCESSIBILITY
NOT TO SCALE



A LAVATORY DETAIL
SCALE: 1" = 1'-0"

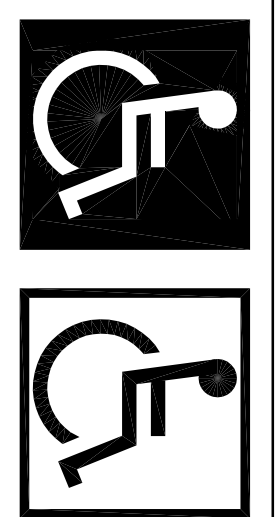


B GRAB BAR
NOT TO SCALE



C BRAILLE SYMBOL
SCALE: 1/2" = 1'-0"

TAG KEY	FINISH TAGS	FIXTURE TAGS	SCORE TAGS	KEY NOTES
(A) #	(A) #	(A) #	(A) #	(A) #
SEE SHEET A-3	SEE SHEET A-3	SEE SHEET A-3	SEE SHEET A-3	SEE SHEET A-3



INT. SYMBOL OF ACCESSIBILITY

NOTE: THE INTERNATIONAL SYMBOL OF ACCESSIBILITY SHALL BE THE STANDARD USED TO IDENTIFY FACILITIES THAT ARE ACCESSIBLE TO AND USABLE BY PHYSICALLY DISABLED PERSONS.

- THE INTERNATIONAL SYMBOL OF ACCESSIBILITY SHALL CONSIST OF A WHITE FIGURE ON A BLUE BACKGROUND. THE BLUE SHALL BE EQUAL TO COLOR NO. 15970 IN FEDERAL STANDARD 5996.
- LETTERS AND NUMBERS ON SIGNS SHALL HAVE A WIDTH-TO-HEIGHT RATIO OF BETWEEN .35 AND 1.1 AND A STROKE WIDTH-TO-HEIGHT RATIO BETWEEN 1.5 AND 11.0.
- CHARACTERS AND NUMBERS ON SIGNS SHALL BE SPACED ACCORDING TO THE VEMING MULTIPLE OCCUPANCY RESTROOMS, MOUNT AT 35" - 40" MAX. A.F.F. FOR ADA ACCESSIBLE LOCATIONS AND AT 48" MAX. A.F.F. FOR NON-ADA ACCESSIBLE LOCATIONS.
- CHARACTERS AND NUMBERS SHALL CONTRAST WITH THEIR BACKGROUND, EITHER LIGHT OR DARK BACKGROUND OR DARK CHARACTERS ON A LIGHT BACKGROUND.

GENERAL TOILET ROOM NOTES

- MINIMUM ONE W/C PER RESTROOM MUST BE ACCESSIBLE IN COMPLIANCE W/IBC 1008.2.2 & ANSI 604 AS SHOWN.
- LAVATORIES SHALL BE MOUNTED WITH THE RIM OR COUNTER SURFACE NO HIGHER THAN 34" ABOVE THE FINISHED FLOOR AND WITH A CLEARANCE OF AT LEAST 29" FROM THE FLOOR TO THE BOTTOM OF THE APRON WITH KNEE CLEARANCE UNDER THE FRONT LIP EXTENDING A MINIMUM OF 30" IN WIDTH AND 8" MINIMUM DEPTH AT THE TOP. JOE CLEARANCE SHALL BE THE SAME WIDTH AS SHALL BE A MINIMUM OF 9" HIGH FROM THE FLOOR AND MINIMUM OF 17" DEEP. (IBC 1008.1.3 & ANSI 604)
- HOT WATER AND DRAIN PIPES: ACCESSIBLE UNDER LAVATORIES SHALL BE INSULATED OR OTHERWISE COVERED. THERE SHALL BE NO SHARP OR ABRASIVE SURFACE UNDER LAVATORIES (ANSI 606.6)
- CONTROLS FOR WATER CLOSET FLUSH VALVES SHALL BE MOUNTED ON THE OPER. SIDE OF TOILET AREAS. (ANSI 606.6)
- WATER CLOSET AND URINAL FLUSH VALVE CONTROLS, AND FAUCET AND OPERATING MECHANISM CONTROLS, SHALL BE OPERABLE WITH ONE HAND, SHALL NOT REQUIRE TIGHT GRASPING, PINCHING, OR TWISTING OF THE WRIST, AND SHALL BE MOUNTED NO MORE THAN 48" ABOVE THE FLOOR. (ANSI 604.6)
- THE FORCE REQUIRED TO ACTIVATE WATER CLOSET AND URINAL FLUSH VALVE CONTROLS, FAUCET AND OPERATING MECHANISM CONTROLS, SHALL BE NO GREATER THAN 5 LBS. (ANSI 309.4)
- WHERE TOWEL, SANITARY NAPKINS, WASTE RECEPTACLES, AND OTHER SIMILAR DISPENSING DEVICES ARE PROVIDED, THEY SHALL BE ACCESSIBLE TO AND USABLE BY PHYSICALLY DISABLED ALL OPERABLE PARTS, INCLUDING COIN SLOTS, WITHIN 48" FROM THE FINISH FLOOR. (ANSI 309.4)
- REINSTALL COMPARTMENT FIXTURES (TISSUE DISP., SAN. NAPKIN DISP.) ACCESSIBLE TOILET PAPER DISPENSERS SHALL COMPLY WITH ANSI 309.4 AND SHALL BE 7" MINIMUM AND 9" MAXIMUM IN FRONT OF THE WATER CLOSET. THE OUTLET OF THE DISPENSER SHALL BE 15" MINIMUM AND 48" MAXIMUM ABOVE THE FLOOR OR GROUND. THERE SHALL BE A CLEARANCE OF 17" MINIMUM ABOVE THE GRAB BAR DISPENSER. THERE SHALL NOT BE A TYPE 'F' CONTROL DISTRIBUTOR, OR THERE DO NOT ALLOW CONTROL DISTRIBUTOR. (ANSI 604.7)
- GRAB BARS AT THE SIDE SHALL BE AT LEAST 42" LONG POSITIONED NO MORE THAN 17" FROM THE LEAK WALL. GRAB BARS AT THE BACK SHALL BE NOT LESS THAN 36" LONG. VERTICAL GRAB BARS TO BE 18" IN LENGTH AND 3/4" DIA. AND POSITIONED 39"-41" FROM REAR WALL. (IBC 1007.7 & ANSI 604.8.11)
- THE DIAMETER OR WIDTH OF THE GRIPPING SURFACE OF A GRAB BAR SHALL BE 1 1/2" OR THE SHAPE SHALL PROVIDE AN EQUIVALENT GRIPPING SURFACE. IF GRAB BARS ARE MOUNTED ADJACENT TO A WALL, THE SPACE BETWEEN THE WALL AND THE GRAB BARS SHALL BE 1 1/2". (ANSI 609.2)
- THE GRAB BAR AND ANY WALL OR OTHER SURFACE ADJACENT TO IT SHALL BE FREE OF ANY SHARP OR ABRASIVE ELEMENTS. EDGES SHALL HAVE A MINIMUM RADIUS OF 3/8" (ANSI 609.5)
- CONTRAPTION SHALL PROVIDE BACKING PLATES AT TOILET FIXTURES, LAVATORIES, GRAB BARS, AND TOILET PARTITION ANCHORAGE AREAS PER MANUFACTURERS REQUIRED STANDARDS. (TYPICAL, NO EXCEPTIONS)

TOILET ROOM ELEVATION NOTES

- GRAB BAR - 250 LBS. MINIMUM 33" MIN. - 36" MAX. HEIGHT TO THE TOP OF THE GRIPPING SURFACE. BORBRICK, SERRON EQUIPMENT CO. MODEL B-165-1836 (BORBRICK WASHROOM EQUIPMENT, INC., OR APPROVED EQUIVALENT).
- TOILET PAPER HOLDER - 9" TWIN JUMBO MODEL #98250 BY NORTH AMERICAN CORPORATION.
- BORBRICK CONTURA SERIES B-270 SANITARY NAPKIN DISPENSER, SURFACE MOUNTED.
- 108 S&J STAINLESS STEEL CHANNEL FRAME W/ HETTER RESISTANT SCREWS BY BORBRICK WASHROOM EQUIPMENT, INC., OR APPROVED EQUIVALENT.
- WALL MOUNTED SOAP DISPENSER & HAND SANITIZER DISPENSER (48" MAXIMUM HEIGHT) SUPPLIED BY F&C LAB AND INSTALLED BY G.C. THE HIGH FORWARD REACH SHALL BE 48" HIGH FORWARD REACH SHALL BE 44" MAX. AND THE REACH DEPTH SHALL BE 25" MAX. NOTE: SOAP AND HAND SANITIZER DISPENSERS TO BE PROVIDED AT EACH RITCHEN HANDSINK.
- MIRROR BOTTOM OF REFLECTIVE SURFACE AT 40" MAXIMUM HEIGHT MODEL B-165-1836 (BORBRICK WASHROOM EQUIPMENT, INC., OR APPROVED EQUIVALENT).
- TOILET PAPER HOLDER - 9" TWIN JUMBO MODEL #98250 BY NORTH AMERICAN CORPORATION.
- BORBRICK CONTURA SERIES B-270 SANITARY NAPKIN DISPENSER, SURFACE MOUNTED.
- ELECTRIC HAND DRYER VORTEX SEMI RECESSED DELUXE SERIES AUTOMATIC SENSOR HAND DRYER MODEL HD-655-210 HAND DRYER TO BE INSTALLED AT A MAXIMUM HEIGHT OF 48" FROM FINISH FLOOR ELEVATION TO TOP OF SENSOR.
- TOILET SEAT COVER DISPENSER - BY KOCHSTER MIDLAND CORP. PRODUCT CODE 25132000 (WHITE PLASTIC).
- COAT HOOK - BORBRICK MODEL B-6717 TO BE MOUNTED ON INSIDE OF EACH RESTROOM DOOR FOR SINGLE OCCUPANCY RESTROOMS AND EACH RESTROOM STALL DOOR FOR MULTIPLE OCCUPANCY RESTROOMS. MOUNT AT 35" - 40" MAX. A.F.F. FOR ADA ACCESSIBLE LOCATIONS AND AT 48" MAX. A.F.F. FOR NON-ADA ACCESSIBLE LOCATIONS.
- CHANGING STATION - KOALA KAKE #H8100-ST (HOBROMANAU)
- INSTALL PAPER TOWEL DISPENSER BY BORBRICK WASHROOM EQUIPMENT, INC. B-7860, OR APPROVED EQUIVALENT.
- PAPER WASTE RECEPTACLE (REQUIRED) MODEL B-344 AS MANUFACTURED BY BORBRICK WASHROOM EQUIPMENT, INC., OR APPROVED EQUIVALENT. (ROUGH OPENING 18"W. X 22 1/4"H. X 4"D. MIN.)

No.	Date	By	Notes
1	01.31.2017	DB	SUBMITTED FOR BUILDING PERMIT

Checked: SB
Scale: AS NOTED
Date: 07.26.2016

ALL RIGHTS RESERVED. NO PART OF THESE DRAWINGS OR SPECIFICATIONS MAY BE COPIED, REPRODUCED OR USED IN CONNECTION WITH ANY WORK OTHER THAN THE SPECIFIC PROJECT FOR WHICH THEY HAVE BEEN PREPARED, WITHOUT PRIOR WRITTEN AUTHORIZATION FROM THE ARCHITECT.

TECHNICAL GROUP, INC.
37716 Hills Tech Drive
Houston, TX 77058
(248) 426-5000
FAX (248) 426-7004

PROJECT
BURGER KING #10528
1500 W MICHIGAN AVE.
BATTLE CREEK, MI

SHEET TITLE
PROPOSED RESTROOM
ELEVATIONS & DETAILS

JOB #
TG-16405

SHEET
A-4