

Seating Concepts 125 Connell Ave. Rockdale, IL 60436

Decor Drawings:

\* These plans are produced from architects drawings received: 01-31-17

General Notes and Information:

General Notes

1. Do not scale off plans. Call Seating Concepts to verify any questionable dimensions - 815.730.7980
2. Dimensions are for design intent only.
3. Seating Concepts has prepared these pages as accurately as possible with the information provided. The owner understands that adjustments to the final locations of equipment and/or furniture placement may be required at the owner's expense due to discrepancies based on actual job site dimensions and conditions.
4. Refer to architectural drawings for complete and accurate dimensions of building structure.
5. These documents are the property of Seating Concepts.
6. These documents may not be copied, reproduced, used, or implemented in any way, without the consent of Seating Concepts.
7. Seating Concepts is not responsible for deviations, changes, additions, or deletions not reviewed and approved in advance by Seating Concepts.

Construction

1. The GC shall verify all dimensions and conditions on the job site and notify Seating Concepts of all discrepancies prior to starting work.
2. GC is to review Seating Concepts plans against the architectural drawing set they are using on site. GC shall notify Seating Concepts immediately if they notice discrepancies.
3. Dimensions marked GC to Verify must be verified and the measurements recorded to Seating Concepts. Failure to communicate verified dimensions to Seating Concepts could result in a delay of decor fabrication and possible delay of shipment.
4. GC to locate thermostats and sensors and move accordingly so they do not interfere with decor.
5. GC to refer to elevations for typical wall finishes.

Finish Specification & Ordering of Materials

1. The building specifications have multiple options to choose from. Seating Concepts shows all the options in the specification sheets for the Owner/GC to select from. Seating Concepts does not select the option to be used. This is for the wall tile, floor tile, paint, and ceiling finishes.
2. GC to order by complete specification, including series, item number and color. Any discrepancies should be communicated to Seating Concepts immediately.
3. Changes to finishes as requested by owner after materials are ordered may result in owner assuming restocking fees or other additional costs associated with a re-selection.

Tile

Wall Tile

1. All outside corners of the tile walls to receive edge protection per trim schedule TR-3L. TR-3L trim is also located where tile transitions to paint or vinyl wall covering. GC is responsible for ordering the correct size trim system for installation.
2. Tile patterns are shown on elevations for representation of install pattern only. Do not scale from drawings.
3. GC to insure wall tile specified in restrooms and food service/prep areas meet the local health code requirements.
4. Recommended grout joint is 1/8".

Floor Tile

1. Base tile to be located from elevations.
2. Base tile in kitchen must match floor finish specification for kitchen tile.
3. It is the responsibility of the GC to account for variance in tile thickness to insure a flush floor tile installation.
4. If cove base tile is used the GC must install cove base to be flush with floor tile.
5. Recommended grout joint is 1/8".
6. GC must apply grout sealer.

Decor Package:

\* All Designs must be approved by Burger King Corporation.

Ceiling

1. GC must coordinate all existing HVAC and lighting with interior decor.

Electrical

1. All electrical outlets are located 18" A.F.F. unless otherwise noted.
2. All power and data to come from ceiling unless noted otherwise.
3. All electrical fixtures, wiring, and installation to be UL approved.
4. Pendants are to be centered over table top once final installation of seating is complete.

Installation

1. GC is to inspect Seating Concepts product upon delivery. Notice of damage must be given within 24 hours of delivery. Any damage noted after this time period will become the responsibility of the GC and will be repaired or replaced at the GC's expense.
2. GC is responsible to protect product during and after installation. Seating Concepts will not be responsible for product replacement due to misuse by others during and/or after installation.
3. GC to refer to installation pages included in the installation instructions packet sent with the decor.
4. GC is responsible to insure appropriate installation of metalwork as required for table tops designated as ADA compliant.

Drawing Index:

- \* ID-1 Cover Sheet
- \* ID-2 Seating Layout
- \* ID-3 Furniture Finish Layout
- \* ID-4 Wall Finish Layout
- \* ID-5 Pendant, Soffit, Graphic Layout
- \* ID-6 Flooring Layout
- \* ID-7 Interior Elevations
- \* ID-8 Interior Elevations
- \* ID-9 Furniture Finish Specifications
- \* ID-10 Interior Building Specifications
- \* ID-11 Interior Building Specifications
- \* ID-12 Interior Building Specifications
- \* ID-13 Interior Building Specifications
- \* ID-14 Product Images
- \* ID-15 Product Details
- \* ID-16 FSC Details

**FINISHES SHALL COMPLY WITH 2020 LIGHT FINISH SCHEDULE AND GUIDELINE AND CANNOT DEVIATE FROM THE IMAGE**

TEMPLATE UPDATED: 02-07-17

This drawing contains proprietary information by Seating Concepts. Unauthorized use or reproduction is prohibited without expressed written consent of Seating Concepts.

**Project Contacts:**

Please contact one of the following Seating Concepts team members to address any concerns you may have:

Customer Service:  
Ken Hibben 815.730.7980 x 2253  
Mel Randall 815.730.7980 x 2234  
Krista Bagley 815.730.7980 x 2219

Interior Design:  
Samantha Uthe 815.730.7980 x 2251  
Lori Manion 815.730.7980 x 2242  
Kimberly Sea 815.730.7980 x 2252  
Rita Gear 815.730.7980 x 2235  
Deb Paulik 815.730.7980 x 2262

\*\*After delivery of decor if you have any questions please contact customer service at 815.730.7980



PROJECT:	Improved 20/20 Light
LOCATION:	Battle Creek, MI 49037
ADDRESS:	1500 W Michigan Ave
STORE #:	10528
DRAWN BY:	Deborah Paulik
PROJECT MANAGER:	Zach DePyssler
SALES MANAGER:	Mel Randall

DATE:	02-09-17		
REVISION HISTORY			
DATE	REV #	DESCRIPTION	INITIALS
02-13-17	1	complete package	DDP
02-17-17	2	revise per pre-order	DDP

DRAWING TITLE:	Cover Sheet
SCALE:	NTS
<b>ID-1</b>	

11 x 17 SIZE FORMAT

**STEEL KEY**

CORE DRILLED	TTGP	TTGP/OFF	FREE STANDING	SP	SP-S22	SP-S22-HC	MISC. SYMBOLS	RETOFIT PRODUCT (NEW OF EXISTING STEEL)	FREESTANDING CHAIR	FREESTANDING BARSTOOL	DRUM STOOL	SOFT SEATING
--------------	------	----------	---------------	----	--------	-----------	---------------	---	--------------------	-----------------------	------------	--------------

NOTE: THIS KEY REPRESENTS GENERAL STEEL SYMBOLS. REFERENCE PROJECT SPECIFICATIONS FOR PRODUCT DESCRIPTIONS DETAILED IN PLAN.

**FLOOR PLAN KEY**

ELEVATION TAG  
1 ID-7

**SEATING Concepts**  
125 Connell Ave  
Rockdale, IL 60436  
www.seating-concepts.com  
T: 815.730.7980 F: 815.730.7969

This drawing contains proprietary information by Seating Concepts. Unauthorized use or reproduction is prohibited without expressed written consent of Seating Concepts.

**Project Contacts:**

Please contact one of the following Seating Concepts team members to address any concerns you may have:

Customer Service:  
Ken Hibben 815.730.7980 x 2253  
Mel Randall 815.730.7980 x 2234  
Krista Bagley 815.730.7980 x 2219

Interior Design:  
Samantha Uthe 815.730.7980 x 2251  
Lori Manion 815.730.7980 x 2242  
Kimberly Sea 815.730.7980 x 2252  
Rita Gear 815.730.7980 x 2235  
Deb Paulik 815.730.7980 x 2262

\*\*After delivery of decor if you have any questions please contact customer service at 815.730.7980



**PROJECT:** Improved 20/20 Light

**LOCATION:** Battle Creek, MI 49037

**ADDRESS:** 1500 W Michigan Ave

**STORE #:** 10528

**DRAWN BY:** Deborah Paulik

**PROJECT MANAGER:** Zach DePyssler

**SALES MANAGER:** Mel Randall

**DATE:** 02-09-17

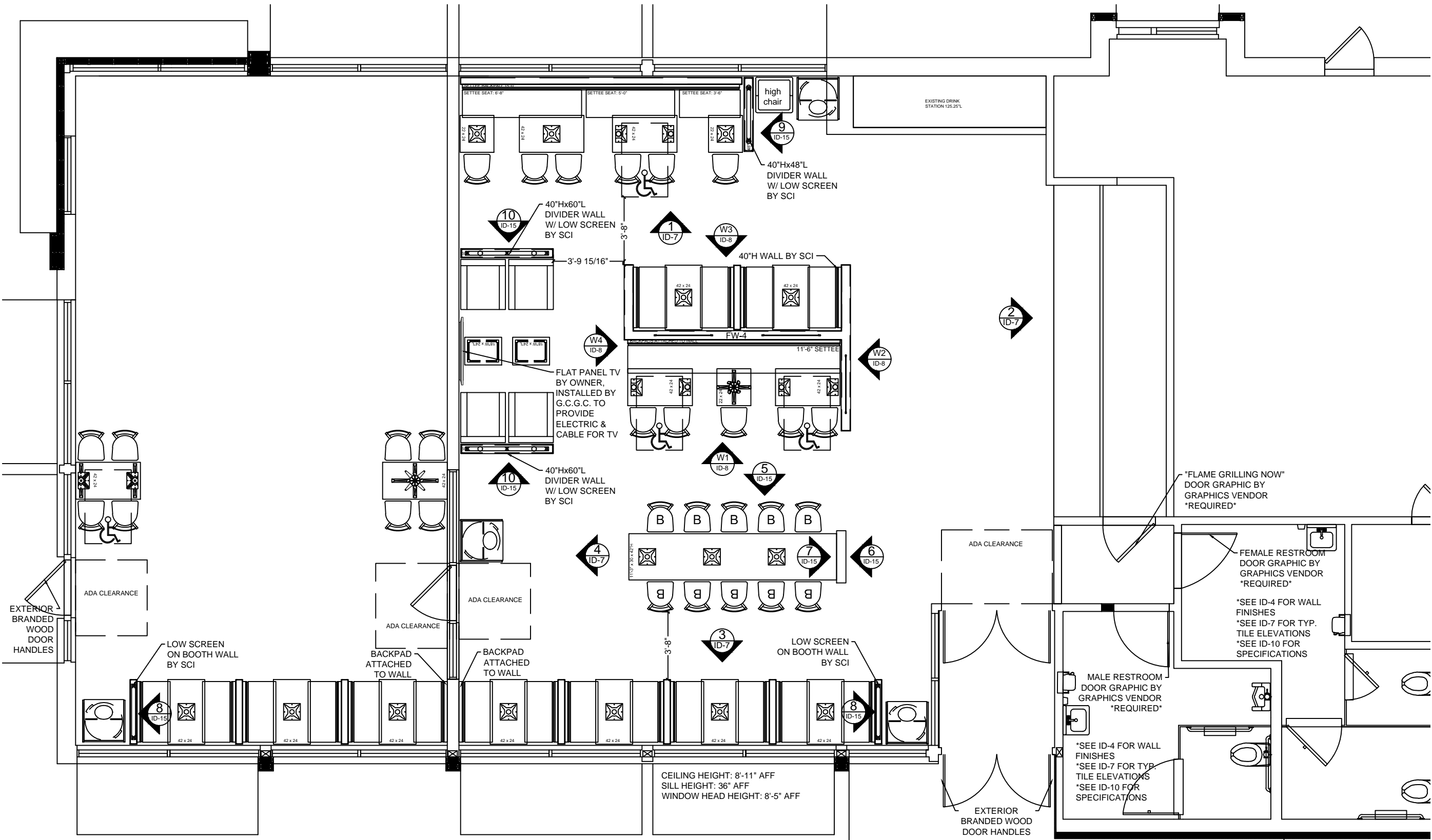
REVISION HISTORY			
DATE	REV #	DESCRIPTION	INITIALS
02-13-17	1	complete package	DDP
02-17-17	2	revise per pre-order	DDP

**DRAWING TITLE:** Seating Layout

**SCALE:** 3/16" = 1'-0"

**ID-2**

**11 x 17 SIZE FORMAT**



SEATING AND TABLE SCHEDULE	TABLE TOP STYLES	SINGLES	2 TOPS	3 TOPS	4 TOPS	5 TOPS	6 TOPS	8 TOPS	10 TOPS	12 TOPS
TABLE TOP QUANTITY		2	3	-	15	-	-	-	1	-
SEAT QUANTITY		4	6	-	60	-	-	-	10	-

ADA ACCESSIBLE SEATING: 4 TOTAL NUMBER OF SEATS: 80

**ACCESSIBILITY KEY**

ADA COMPLIANT MIN. CLEARANCES AT TABLES

MANEUVERING CLEARANCES AT DOORS



125 Connell Ave  
Rockdale, IL 60436

[www.seating-concepts.com](http://www.seating-concepts.com)

T: 815.730.7980 F: 815.730.7969

This drawing contains proprietary information by Seating Concepts. Unauthorized use or reproduction is prohibited without expressed written consent of Seating Concepts.

**Project Contacts:**

Please contact one of the following Seating Concepts team members to address any concerns you may have:

Customer Service:  
Ken Hibben 815.730.7980 x 2253  
Mel Randall 815.730.7980 x 2234  
Krista Bagley 815.730.7980 x 2219

Interior Design:  
Samantha Uthe 815.730.7980 x 2251  
Lori Manion 815.730.7980 x 2242  
Kimberly Sea 815.730.7980 x 2252  
Rita Gear 815.730.7980 x 2235  
Deb Paulik 815.730.7980 x 2262

\*\*After delivery of decor if you have any questions please contact customer service at 815.730.7980



PROJECT: Improved 20/20 Light

LOCATION: Battle Creek, MI 49037

ADDRESS: 1500 W Michigan Ave

STORE #: 10528

DRAWN BY: Deborah Paulik

PROJECT MANAGER: Zach DePyssler

SALES MANAGER: Mel Randall

DATE: 02-09-17

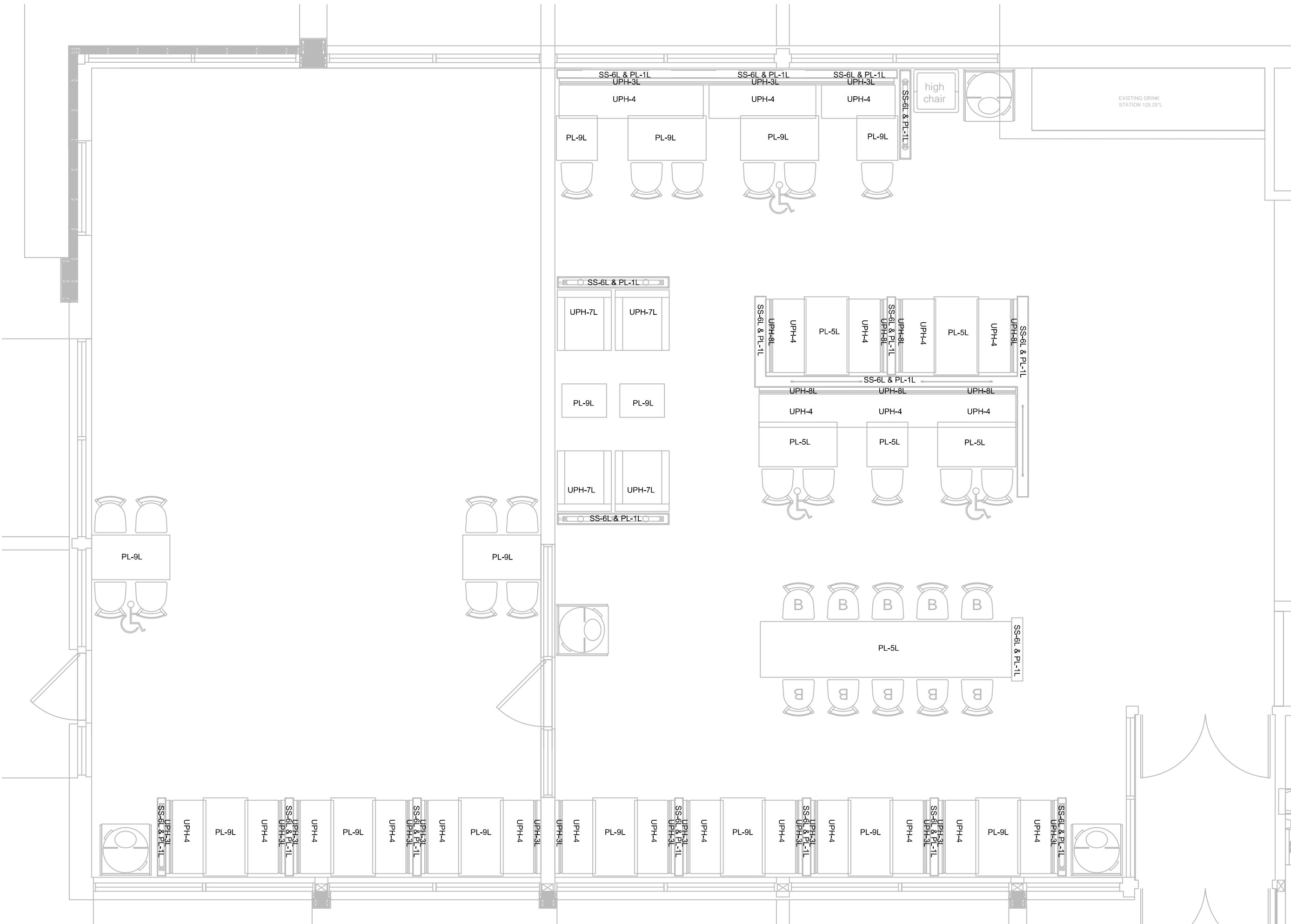
REVISION HISTORY			
DATE	REV #	DESCRIPTION	INITIALS
02-13-17	1	complete package	DDP
02-17-17	2	revise per pre-order	DDP

DRAWING TITLE: Finish Layout

SCALE: 1/4" = 1'-0"

**ID-3**

**11 x 17 SIZE FORMAT**



This drawing contains proprietary information by Seating Concepts. Unauthorized use or reproduction is prohibited without expressed written consent of Seating Concepts.

**Project Contacts:**

Please contact one of the following Seating Concepts team members to address any concerns you may have:

**Customer Service:**  
Ken Hibben 815.730.7980 x 2253  
Mel Randall 815.730.7980 x 2234  
Krista Bagley 815.730.7980 x 2219

**Interior Design:**  
Samantha Uthe 815.730.7980 x 2251  
Lori Manion 815.730.7980 x 2242  
Kimberly Sea 815.730.7980 x 2252  
Rita Gear 815.730.7980 x 2235  
Deb Paulik 815.730.7980 x 2262

\*\*After delivery of decor if you have any questions please contact customer service at 815.730.7980



PROJECT:

Improved 20/20 Light

LOCATION: Battle Creek, MI 49037

ADDRESS: 1500 W Michigan Ave

STORE #: 10528

DRAWN BY: Deborah Paulik

PROJECT MANAGER: Zach DePyssler

SALES MANAGER: Mel Randall

DATE: 02-09-17

**REVISION HISTORY**

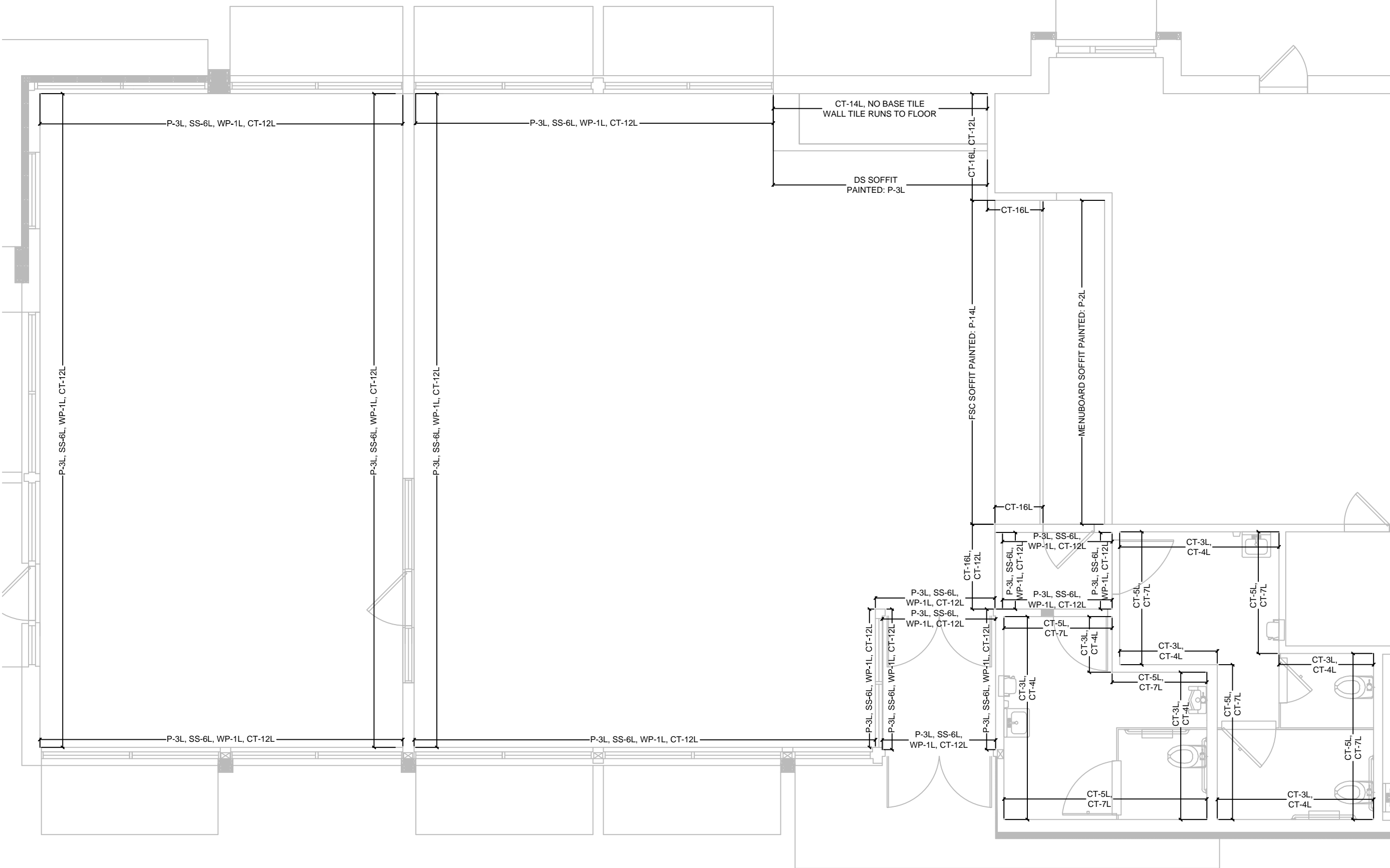
DATE	REV #	DESCRIPTION	INITIALS
02-13-17	1	complete package	DDP
02-17-17	2	revise per pre-order	DDP

DRAWING TITLE: Wall Finish Layout

SCALE: 3/16" = 1'-0"

**ID-4**

**11 x 17 SIZE FORMAT**





\*SEE SHEET ID-8 FOR MORE SOFFIT DETAILS\*

\*PENDANTS TO BE CENTERED OVER TABLE TOP, HUNG @ 78" AFF TO BOTTOM OF GLASS SHADE\*

\*ALL OUTLETS AT TABLES ARE ON CENTER OF THE TABLE POST. PLEASE VERIFY AGAINST CORE DRILL PACKAGE

WAY FINDING KEY	WAY FINDING DISPLAY	GRAPHIC KEY	GRAPHIC DISPLAY

**SEATING Concepts**  
 125 Connell Ave  
 Rockdale, IL 60436  
 www.seating-concepts.com  
 T: 815.730.7980 F: 815.730.7969

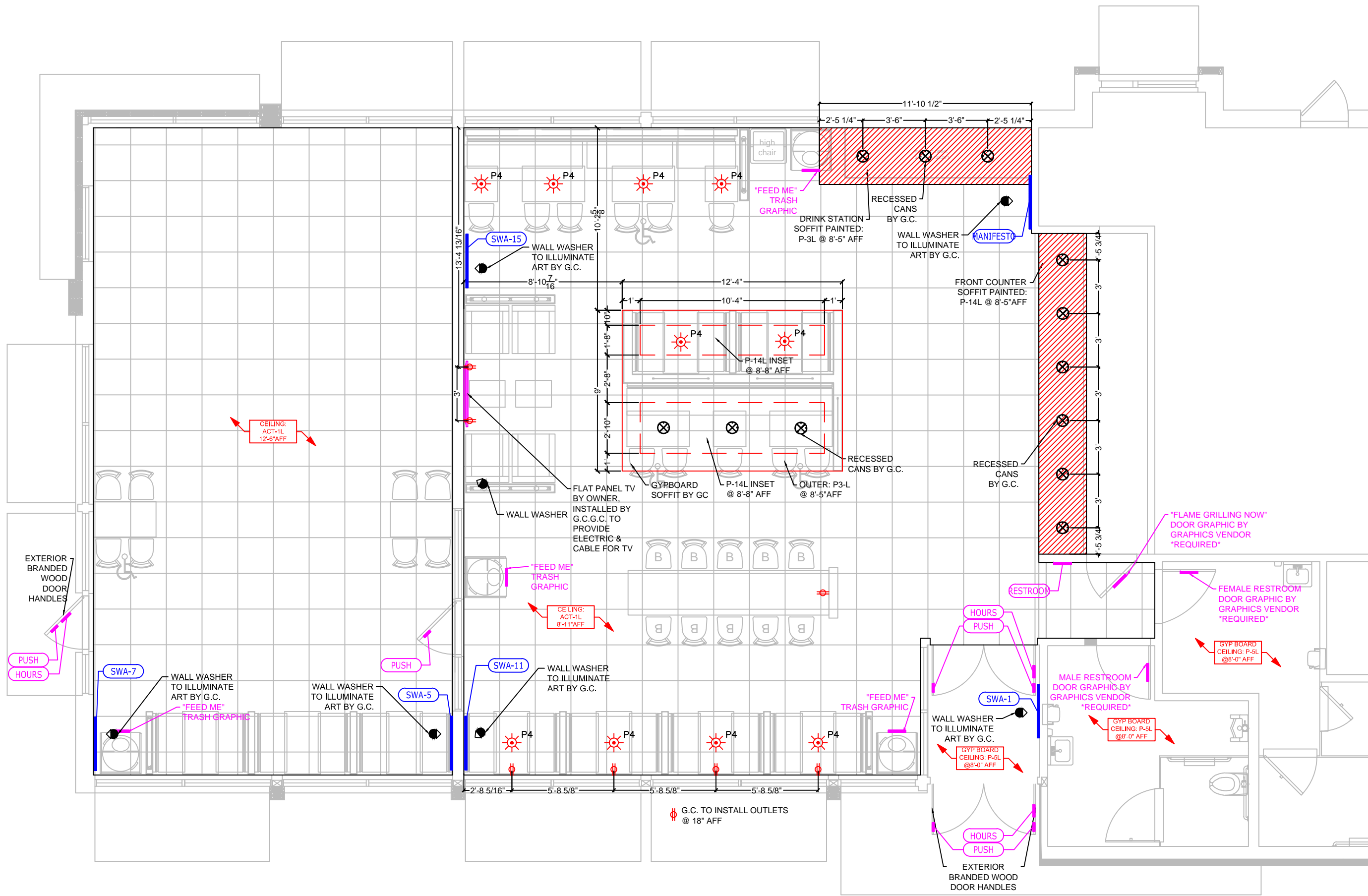
This drawing contains proprietary information by Seating Concepts. Unauthorized use or reproduction is prohibited without expressed written consent of Seating Concepts.

**Project Contacts:**  
 Please contact one of the following Seating Concepts team members to address any concerns you may have:

Customer Service:  
 Ken Hibben 815.730.7980 x 2253  
 Mel Randall 815.730.7980 x 2234  
 Krista Bagley 815.730.7980 x 2219

Interior Design:  
 Samantha Uthe 815.730.7980 x 2251  
 Lori Manion 815.730.7980 x 2242  
 Kimberly Sea 815.730.7980 x 2252  
 Rita Gear 815.730.7980 x 2235  
 Deb Paulik 815.730.7980 x 2262

\*\*After delivery of decor if you have any questions please contact customer service at 815.730.7980



PROJECT: Improved 20/20 Light

LOCATION: Battle Creek, MI 49037

ADDRESS: 1500 W Michigan Ave

STORE #: 10528

DRAWN BY: Deborah Paulik

PROJECT MANAGER: Zach DePyssler

SALES MANAGER: Mel Randall

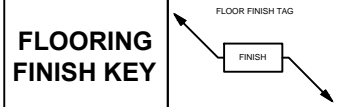
DATE: 02-09-17

DATE	REV #	DESCRIPTION	INITIALS
02-13-17	1	complete package	DDP
02-17-17	2	revise per pre-order	DDP

DRAWING TITLE: Pendant Soffit Graphic Layout

SCALE: 3/16" = 1'-0"

**ID-5**  
 11 x 17 SIZE FORMAT



**SEATING Concepts**  
 125 Connell Ave  
 Rockdale, IL 60436  
**www.seating-concepts.com**  
 T: 815.730.7980 F: 815.730.7969

This drawing contains proprietary information by Seating Concepts. Unauthorized use or reproduction is prohibited without expressed written consent of Seating Concepts.

**Project Contacts:**  
 Please contact one of the following Seating Concepts team members to address any concerns you may have:

Customer Service:  
 Ken Hibben 815.730.7980 x 2253  
 Mel Randall 815.730.7980 x 2234  
 Krista Bagley 815.730.7980 x 2219

Interior Design:  
 Samantha Uthe 815.730.7980 x 2251  
 Lori Manion 815.730.7980 x 2242  
 Kimberly Sea 815.730.7980 x 2252  
 Rita Gear 815.730.7980 x 2235  
 Deb Paulik 815.730.7980 x 2262

\*\*After delivery of decor if you have any questions please contact customer service at 815.730.7980



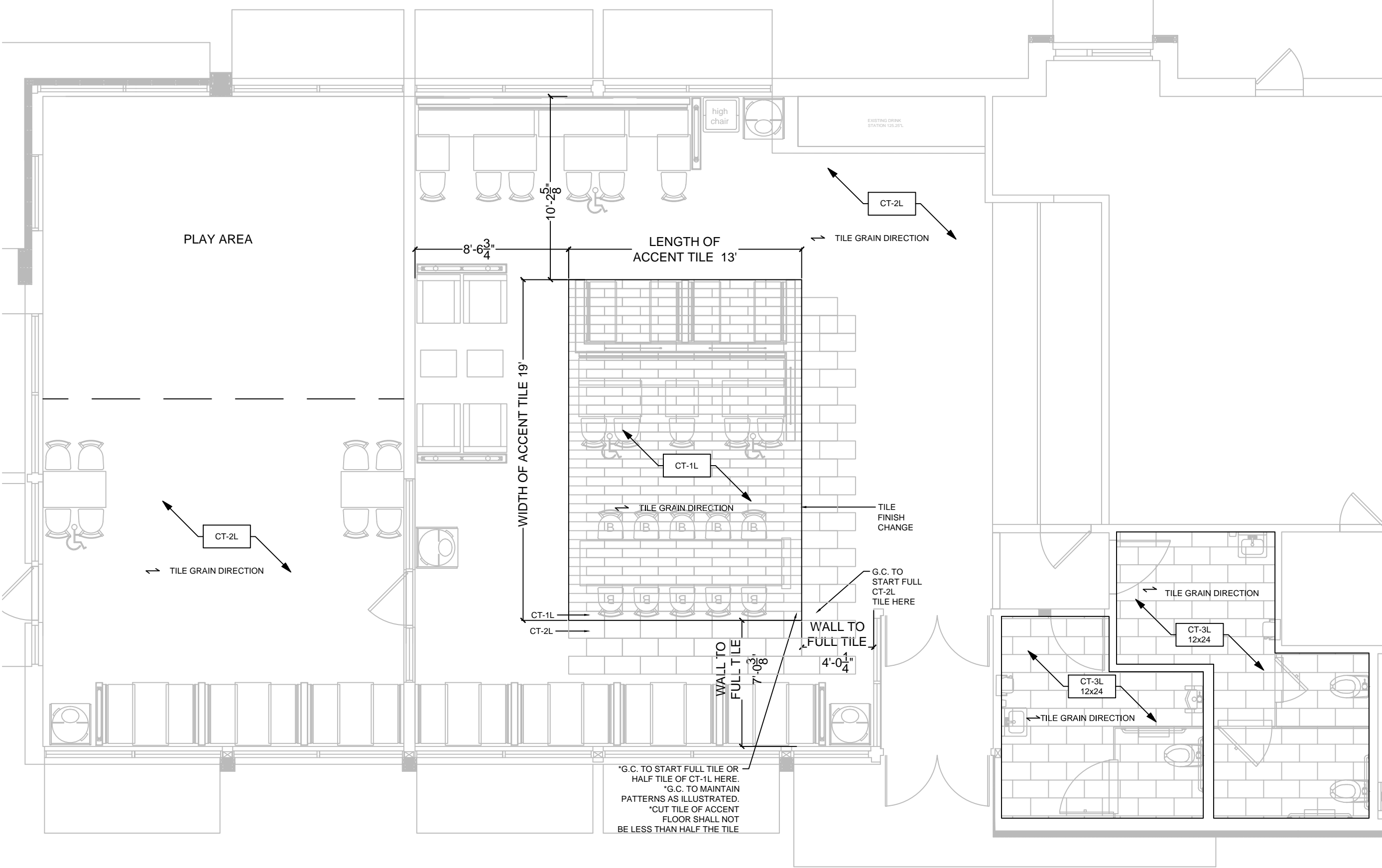
PROJECT: Improved 20/20 Light  
 LOCATION: Battle Creek, MI 49037  
 ADDRESS: 1500 W Michigan Ave  
 STORE #: 10528  
 DRAWN BY: Deborah Paulik  
 PROJECT MANAGER: Zach DePyssler  
 SALES MANAGER: Mel Randall

DATE: 02-09-17

DATE	REV #	DESCRIPTION	INITIALS
02-13-17	1	complete package	DDP
02-17-17	2	revise per pre-order	DDP

DRAWING TITLE: Flooring Layout  
 SCALE: 3/16" = 1'-0"

**ID-6**  
 11 x 17 SIZE FORMAT



This drawing contains proprietary information by Seating Concepts. Unauthorized use or reproduction is prohibited without expressed written consent of Seating Concepts.

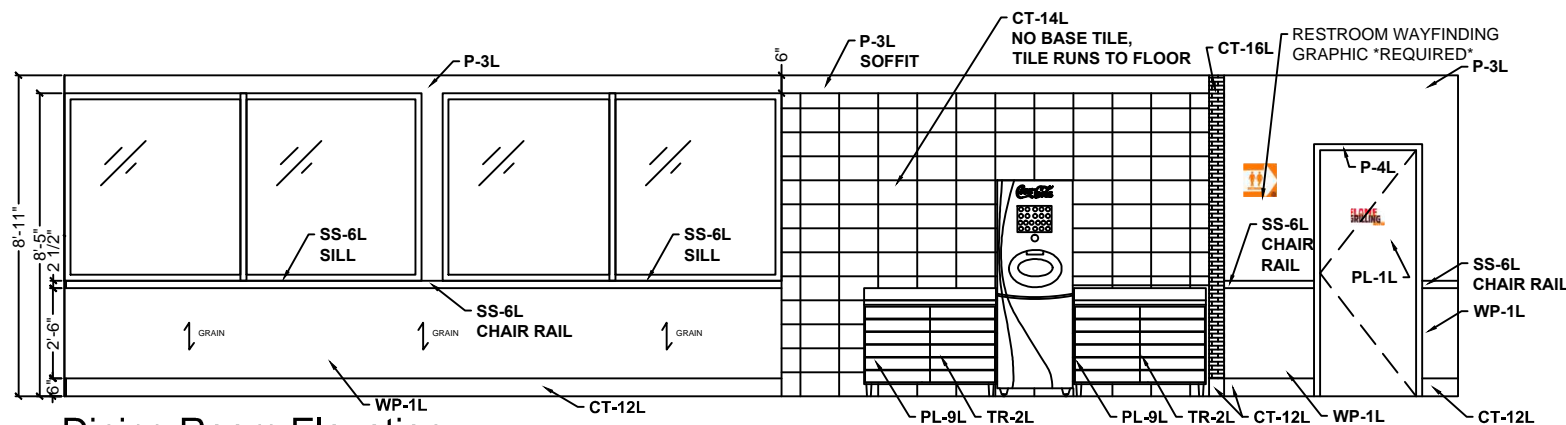
**Project Contacts:**

Please contact one of the following Seating Concepts team members to address any concerns you may have:

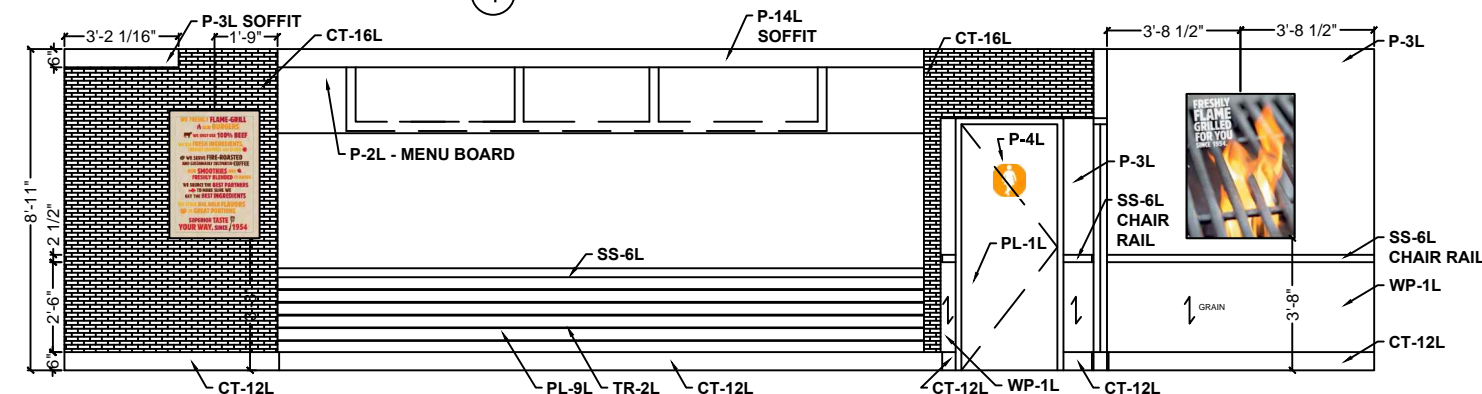
Customer Service:  
Ken Hibben 815.730.7980 x 2253  
Mel Randall 815.730.7980 x 2234  
Krista Bagley 815.730.7980 x 2219

Interior Design:  
Samantha Uthe 815.730.7980 x 2251  
Lori Manion 815.730.7980 x 2242  
Kimberly Sea 815.730.7980 x 2252  
Rita Gear 815.730.7980 x 2235  
Deb Paulik 815.730.7980 x 2262

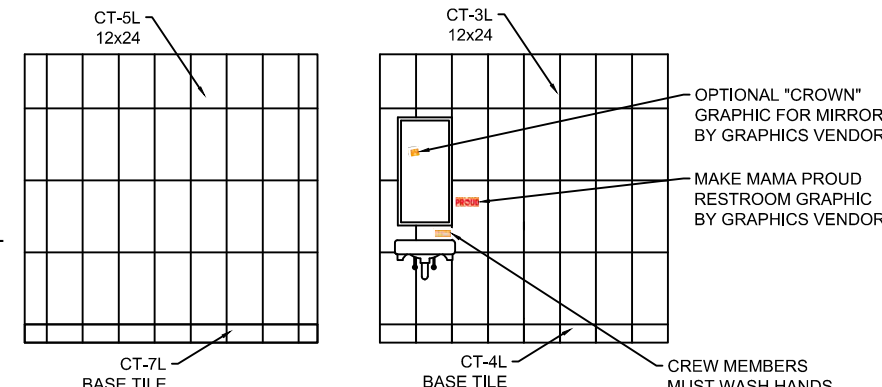
\*\*After delivery of decor if you have any questions please contact customer service at 815.730.7980



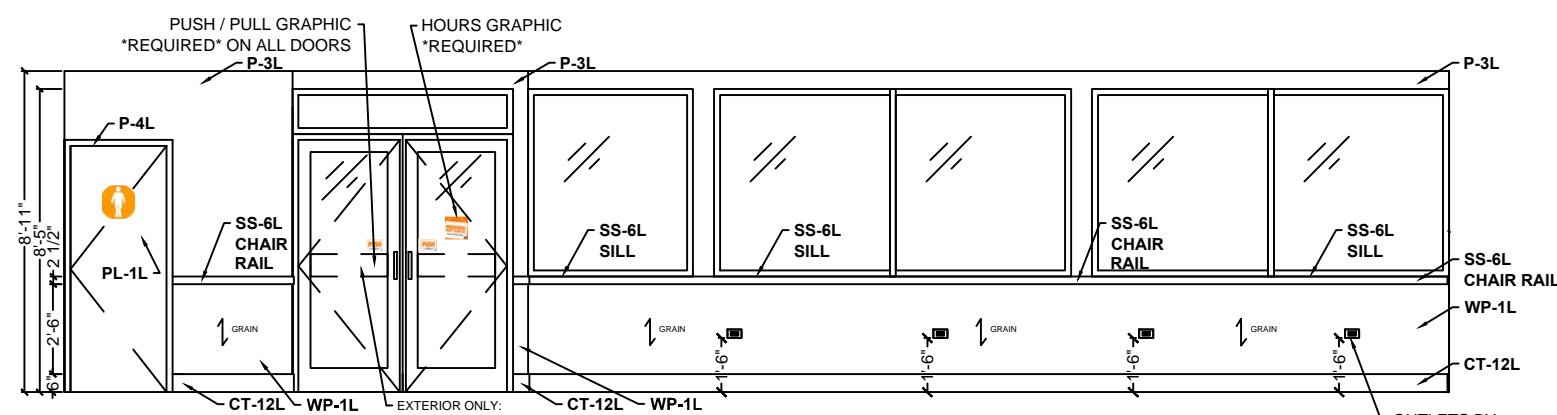
**Dining Room Elevation** ①



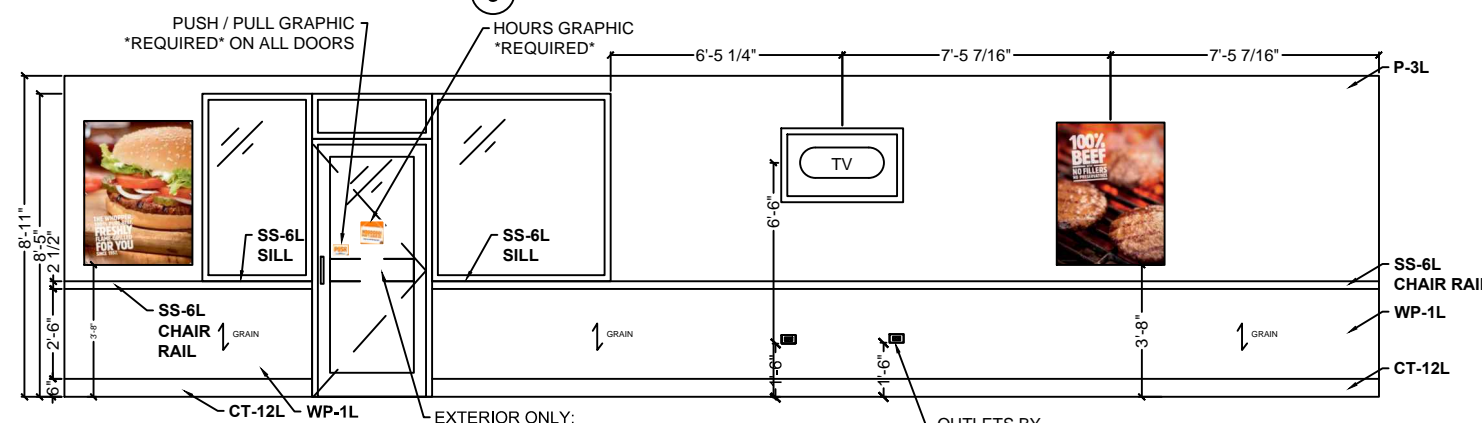
**Dining Room Elevation** ②



**Typ. Restroom Elevations**



**Dining Room Elevation** ③



**Dining Room Elevation** ④



PROJECT: Improved 20/20 Light

LOCATION: Battle Creek, MI 49037

ADDRESS: 1500 W Michigan Ave

STORE #: 10528

DRAWN BY: Deborah Paulik

PROJECT MANAGER: Zach DePyssler

SALES MANAGER: Mel Randall

DATE: 02-09-17

REVISION HISTORY			
DATE	REV #	DESCRIPTION	INITIALS
02-13-17	1	complete package	DDP
02-17-17	2	revise per pre-order	DDP

DRAWING TITLE: Elevations

SCALE: 3/16" = 1'-0"

**ID-7**

11 x 17 SIZE FORMAT

This drawing contains proprietary information by Seating Concepts. Unauthorized use or reproduction is prohibited without expressed written consent of Seating Concepts.

**Project Contacts:**

Please contact one of the following Seating Concepts team members to address any concerns you may have:

Customer Service:  
Ken Hibben 815.730.7980 x 2253  
Mel Randall 815.730.7980 x 2234  
Krista Bagley 815.730.7980 x 2219

Interior Design:  
Samantha Uthe 815.730.7980 x 2251  
Lori Manion 815.730.7980 x 2242  
Kimberly Sea 815.730.7980 x 2252  
Rita Gear 815.730.7980 x 2235  
Deb Paulik 815.730.7980 x 2262

\*\*After delivery of decor if you have any questions please contact customer service at 815.730.7980



PROJECT: Improved 20/20 Light

LOCATION: Battle Creek, MI 49037

ADDRESS: 1500 W Michigan Ave

STORE #: 10528

DRAWN BY: Deborah Paulik

PROJECT MANAGER: Zach DePyssler

SALES MANAGER: Mel Randall

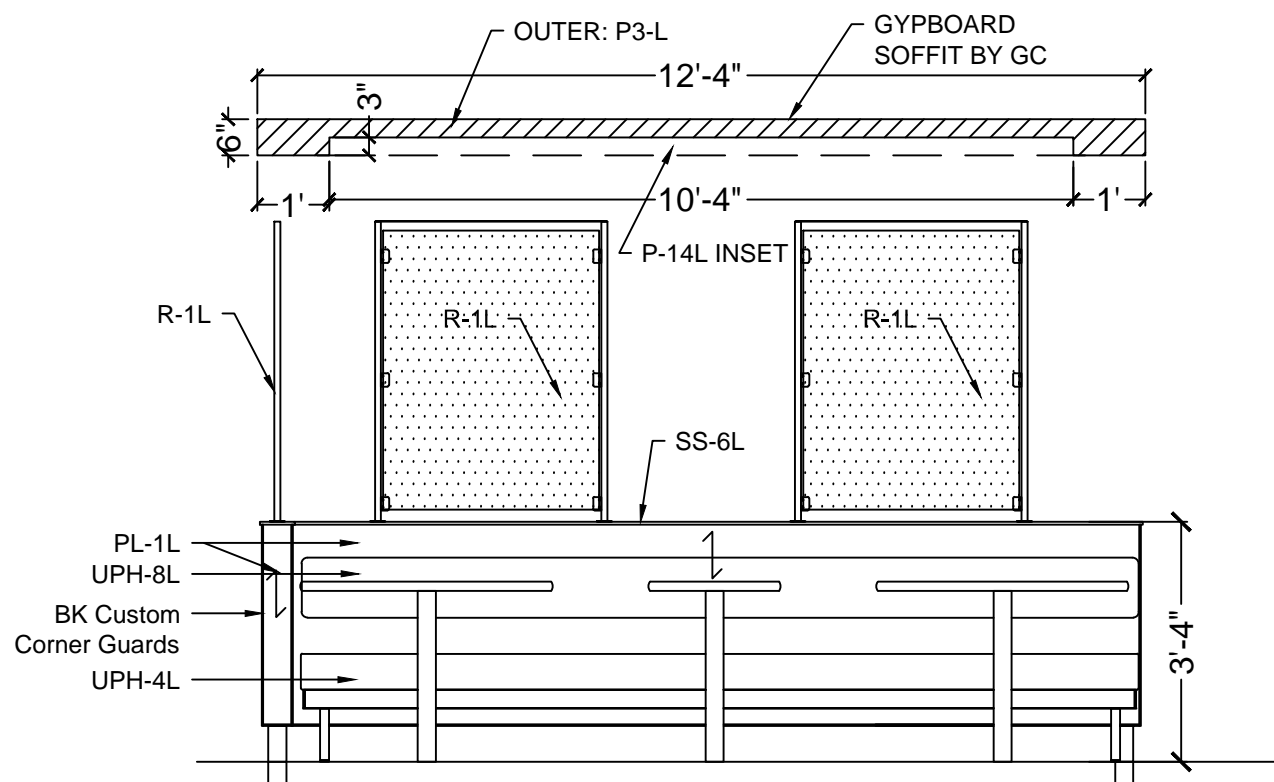
DATE: 02-09-17

REVISION HISTORY			
DATE	REV #	DESCRIPTION	INITIALS
02-13-17	1	complete package	DDP
02-17-17	2	revise per pre-order	DDP

DRAWING TITLE: Elevations

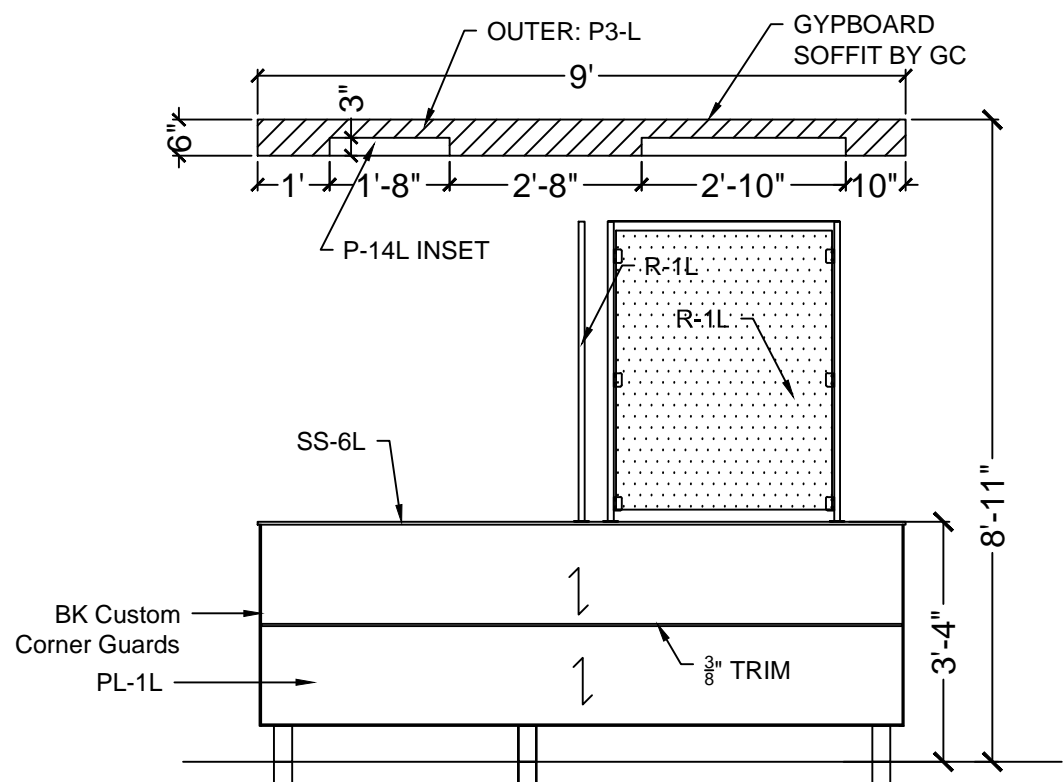
SCALE: 3/8" = 1'-0"

**ID-8**



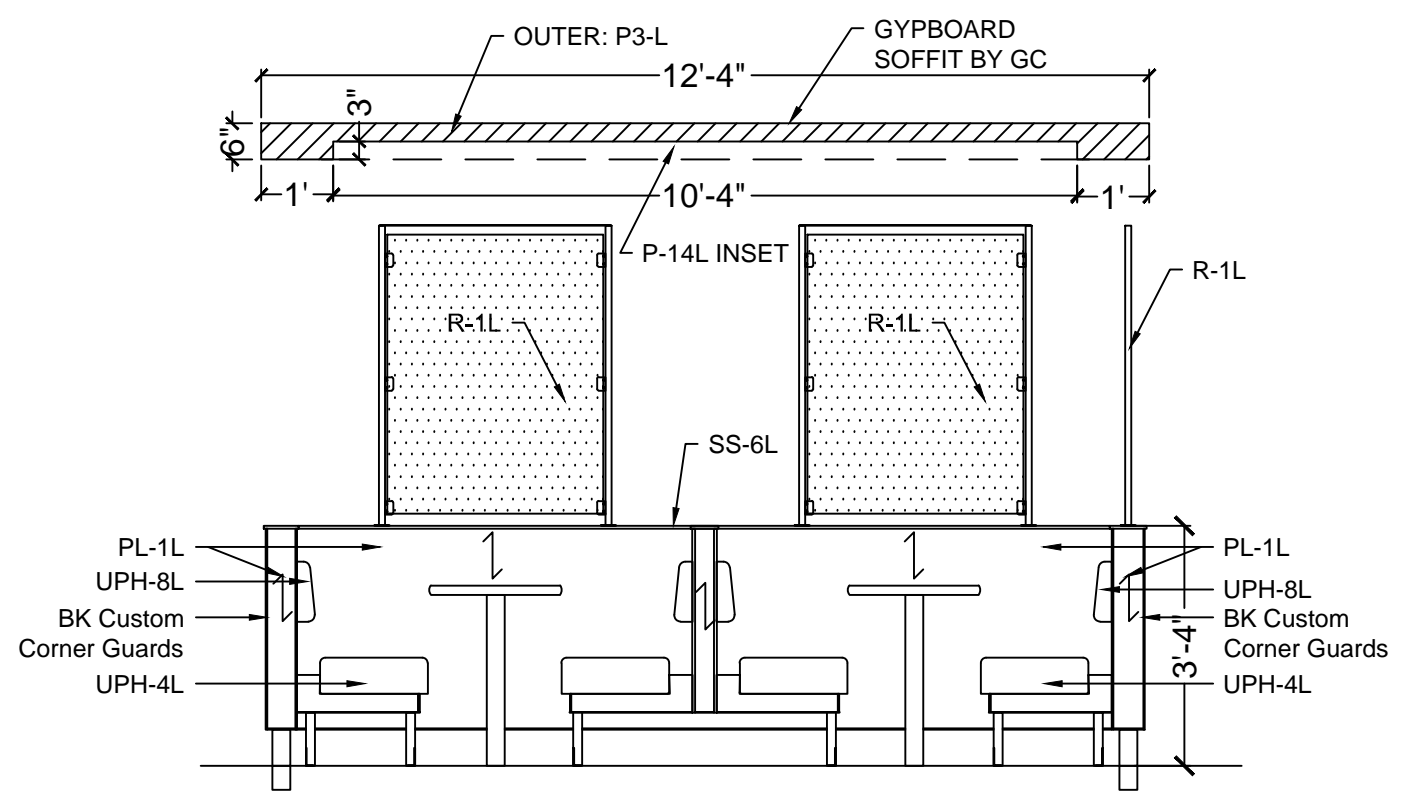
FW-Elevation

W1



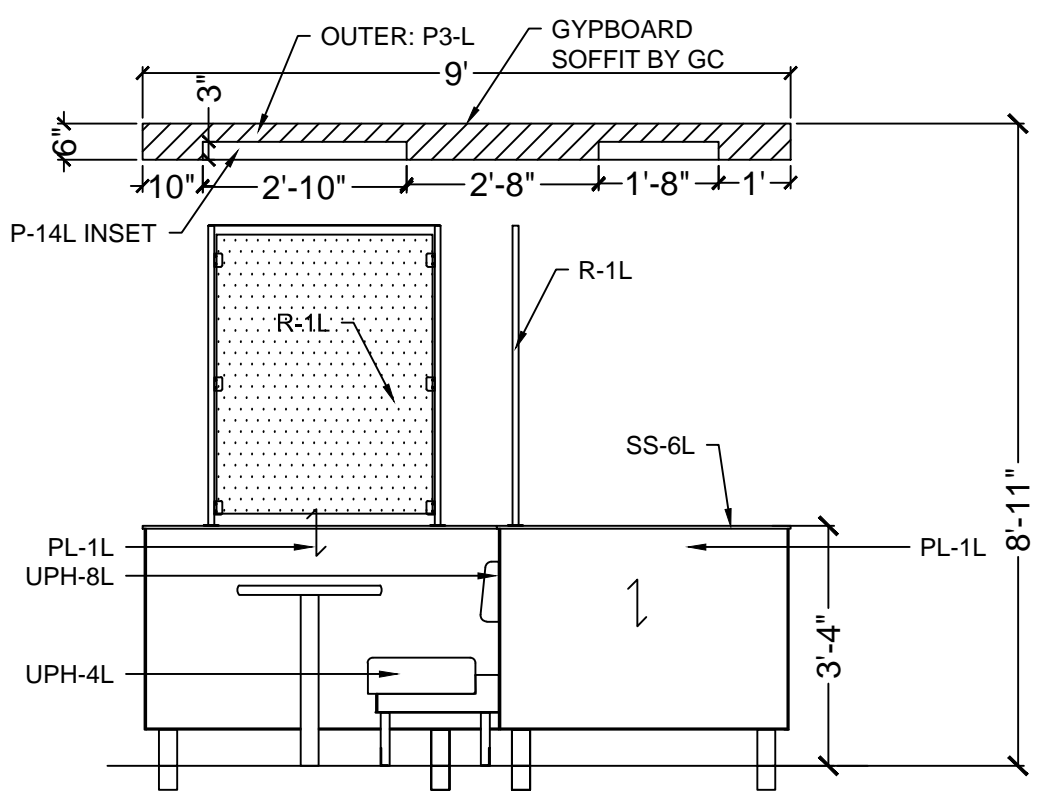
FW-Elevation

W2



FW-Elevation

W3



FW-Elevation

W4



## SEATING CONCEPTS SPECIFICATIONS

### SEATING 40"H BOOTHS & SETTEES

STYLE: 40"H BK 2020 LIGHT  
 BACK PAD: **UPH-3L** CF STINSON - AVANT - BONE AV130  
 VINYL SEAT PAD: **UPH-4L** CF STINSON - LAREDO - BRINDLE - L 19  
 LAMINATE: **PL-1L** WILSONART - NORTHERN PINE 11101K-12  
 SOLID SURFACE TOP CAP: **SS-6L** STARON - TEMPEST - ASPEN LILY AL646  
 POWDERCOATED LEGS: SHERWIN WILLIAMS CHROME #PAF8-C0008-50  
 BOOTH EDGING: REHAU - APPEARS LIKATRE 15/16" x 3mm CP20728

### STRAIGHT SETTEE & BOOTHS AT FEATURE WALL

BACK PAD STYLE: 40"H BK 2020 LIGHT  
 BACK PAD ATTACHED TO WALL: **UPH-8L** CF STINSON - BK CUSTOM RED  
 VINYL SEAT PAD: **UPH-4L** CF STINSON - LAREDO - BRINDLE - L 19  
 BASE BOX LAMINATE: **PL-1L** WILSONART - NORTHERN PINE 11101K-12  
 POWDER COATED LEGS: SHERWIN WILLIAMS CHROME #PAF8-C0008-50  
 BOOTH EDGING: REHAU - APPEARS LIKATRE 15/16" x 3 mm CP20728

### CHAIR AND BARSTOOL

CHAIR STYLE: BK-IE-CH-IMP-2SWB-RD  
 WOOD BACK: NATURAL  
 FIBERGLASS SEAT PAD: BK CUSTOM RED  
 FRAME FINISH: SILVER  
 BARSTOOL STYLE: BK-IE-BS-IMP-2SWB-RD  
 WOOD BACK: NATURAL  
 FIBERGLASS SEAT PAD: BK CUSTOM RED  
 FRAME FINISH: SILVER

### LOUNGE CHAIR

STYLE: THE GROVE  
 UPHOLSTERY: **UPH-7L** MAHARAM - LARIAT - TAUPE 440401 010  
 FRAME FINISH: SHERWIN WILLIAMS CHROME #PAF8-C0008-50

### OCCASIONAL TABLE

EDGE STYLE: SERIES S200 EDGE BAND  
 LAMINATE: **PL-9L** NEVAMAR - VENERABLE OLD OAK WK0017T  
 PREMIUM TABLE EDGE: REHAU - MULTIPLEX #592E  
 BASES: SHERWIN WILLIAMS CHROME #PAF8-C0008-50

### TABLE TOPS

EDGE STYLE: SERIES S200 EDGE BAND  
 LAMINATE: **PL-9L** NEVAMAR - VENERABLE OLD OAK WK0017T  
 LAMINATE: **PL-5L** PIONITE - ABSOLUTE ACAJOU - WY160-N  
 PREMIUM TABLE EDGE: REHAU - MULTIPLEX #592E  
 BASES: SHERWIN WILLIAMS CHROME #PAF8-C0008-50

### COMMUNITY TABLE

WALL LAMINATE: **PL-1L** WILSONART - NORTHERN PINE 11101K-12  
 LAMINATE S200 TABLE TOP: **PL-5L** PIONITE - ABSOLUTE ACAJOU - WY160-N  
 PREMIUM TABLE EDGE: REHAU - MULTIPLEX #592E  
 SOLID SURFACE TOP CAP: **SS-6L** STARON - TEMPEST - ASPEN LILY AL646 1/2"  
 ACCENT LAMINATE: **PL-6L** FORMICA - GRENADINE 6902-58  
 ACCENT RESIN PANEL: **R-1L** 3-FORM - TING TING 3/8" THICKNESS (PATENT FINISH ON FRONT & BACK)  
 POSTS : SHERWIN WILLIAMS CHROME #PAF8-C0008-50  
 BK CUSTOM CORNER GUARD

### BRANDED WOOD DOOR HANDLE

EXTERIOR  
 NAUTICAL FURNISHINGS, LLC.  
 CONTACT: MICHAEL HOGLUND (954) 771-1100  
 MHOGLUND@NAUTICALFURNISHINGS.COM  
 \*\*G.C. TO COORDINATE WITH NAUTICAL  
 FURNISHINGS FOR DOOR FRAME FINISH & SIZE  
 OF DOOR HANDLE. G.C. TO PROVIDE PHOTOS  
 AND TO CONFIRM IF EXISTING CONDITION OF  
 DOOR WILL ALLOW FOR INSTALLATION OF  
 DOOR HANDLE. DOOR HANDLE IS NOT  
 REQUIRED IF EXISTING ENTRY DOOR DOES  
 NOT ALLOW INSTALLATION\*\*

### DIVIDER WALLS WITH LOW SCREEN

WALL AND FRAME LAMINATE: **PL-1L** WILSONART - NORTHERN PINE 11101K-12  
 SOLID SURFACE TOP CAP: **SS-6L** STARON - TEMPEST - ASPEN LILY AL646 1/2" THICKNESS  
 RESIN PANEL: **R-1L** 3-FORM - TING TING 3/8" THICKNESS (PATENT FINISH ON FRONT & BACK)  
 POSTS : SHERWIN WILLIAMS CHROME #PAF8-C0008-50  
 BK CUSTOM CORNER GUARD

### LOW SCREEN ON BOOTH WALL

FRAME LAMINATE: **PL-1L** WILSONART - NORTHERN PINE 11101K-12  
 POSTS: SHERWIN WILLIAMS CHROME #PAF8-C0008-50  
 RESIN PANEL: **R-1L** 3-FORM - TING TING 3/8" THICKNESS (PATENT FINISH ON FRONT & BACK)

## SEATING CONCEPTS SPECIFICATIONS

### MILLWORK

#### TRASH ENCLOSURE

STYLE: BK 2020 LIGHT  
 BASE CABINET FINISH: **PL-1L** WILSONART - NORTHERN PINE 11101K-12  
 TOP SOLID SURFACE: **SS-6L** STARON - TEMPEST - ASPEN LILY AL646  
 T-MOLD: METALLIC SILVER  
 'FEED ME' GRAPHIC BY GRAPHICS VENDOR

#### 40"H IMPROVED FEATURE WALL

WALLS: **PL-1L** WILSONART - NORTHERN PINE 11101K-12  
 SOLID SURFACE TOP CAP: **SS-6L** STARON - TEMPEST - ASPEN LILY AL646 1/2" THICKNESS  
 RESIN PANEL: **R-1L** 3-FORM - TING TING 3/8" THICKNESS (PATENT FINISH ON FRONT & BACK)  
 BK CUSTOM CORNER GURADS  
 POWDER COATED POSTS: SHERWIN WILLIAMS CHROME #PAF8-C0008-50

#### DECORATIVE GLASS PENDANT

BESA CIERRO PENDANT  
 P4 - RUBY GLASS  
 120V MIDI  
 DIMENSIONS: 5.375" D X 9.375" H  
 13 WATT CFL  
 10' CORD  
 SUPPLIED BY LSI INDUSTRIES, INC.

## GENERAL CONTRACTOR SPECIFICATIONS

### DRINK STATION

SUPPLIED BY KES (LAMINATED - VENERABLE OLD OAK WITH METAL ACCENTS - IF USING LAMINATED FSC FASCIA)

### FRONT COUNTER TOP

SOLID SURFACE COUNTER W/ 3" FRONT DROP: **SS-6L** STARON - TEMPEST - ASPEN LILY AL646

### FSC FASCIA

LAMINATE WITH 1/4 ALUMINUM INSERTS:  
**PL-9L** NEVAMAR - VENERABLE OLD OAK WK0017T  
 BASE CT-12: BY G.C.

### WAINSCOT

**WP-1L** GENERAL WAINSCOT - WILSONART - NORTHERN PINE 11101K-12  
 LAMINATE ADHERED TO 1/4" PVC SUBSTRATE WITH Z LOCK VERTICAL JOINTS  
 CONTACT: PATTY GOFFE @ WILSONART (678) 296-7271

### CHAIR RAIL & WINDOW SILLS

SOLID SURFACE: **SS-6L** STARON - TEMPEST - ASPEN LILY AL646

### BK GRAPHICS INCLUDING 'MANIFESTO' & "FLAME GRILLING NOW" @ KITCHEN DOOR

GRAPHIC VENDORS:  
 Moss Retail, Contact: Ruth Eichler (773) 435-7655  
 OR  
 VGS, Inc. Contact: Greg Moroz (201) 528-9680

### PAINTED GYP BOARD SOFFIT

OUTER: **P-3L** PPG - WRIGHT STONE  
 INNER: **P-14L** PPG - FLAMING RED  
 PLEASE SEE PAINT SPECS FOR DETAILED INFORMATION

NOTE: RECOMMENDED ITEMS MAY HAVE LONG LEAD TIMES OR LIMITED AVAILABILITY. GC IS RESPONSIBLE FOR ORDERING ITEMS WITH SUFFICIENT TIME FRAME TO ENSURE DELIVERY ON SCHEDULE. ALTERNATE FINISHES MAY BE AVAILABLE.



125 Connell Ave  
 Rockdale, IL 60436

[www.seating-concepts.com](http://www.seating-concepts.com)

T: 815.730.7980 F: 815.730.7969

This drawing contains proprietary information by Seating Concepts. Unauthorized use or reproduction is prohibited without expressed written consent of Seating Concepts.

#### **Project Contacts:**

Please contact one of the following Seating Concepts team members to address any concerns you may have:

Customer Service:  
 Ken Hibben 815.730.7980 x 2253  
 Mel Randall 815.730.7980 x 2234  
 Krista Bagley 815.730.7980 x 2219

Interior Design:  
 Samantha Uthe 815.730.7980 x 2251  
 Lori Manion 815.730.7980 x 2242  
 Kimberly Sea 815.730.7980 x 2252  
 Rita Gear 815.730.7980 x 2235  
 Deb Paulik 815.730.7980 x 2262

\*\*After delivery of decor if you have any questions please contact customer service at 815.730.7980



PROJECT: Improved 20/20 Light

LOCATION: Battle Creek, MI 49037

ADDRESS: 1500 W Michigan Ave

STORE #: 10528

DRAWN BY: Deborah Paulik

PROJECT MANAGER: Zach DePyssler

SALES MANAGER: Mel Randall

DATE: 02-09-17

REVISION HISTORY			
DATE	REV #	DESCRIPTION	INITIALS
02-13-17	1	complete package	DDP
02-17-17	2	revise per pre-order	DDP

DRAWING TITLE: Specifications

SCALE: NTS

**ID-9**

**11 x 17 SIZE FORMAT**

# INTERIOR BUILDING SPECIFICATIONS -- ACT CEILING TILE, FLOOR TILE



125 Connell Ave  
Rockdale, IL 60436

[www.seating-concepts.com](http://www.seating-concepts.com)

T: 815.730.7980 F: 815.730.7969

This drawing contains proprietary information by Seating Concepts. Unauthorized use or reproduction is prohibited without expressed written consent of Seating Concepts.

### Project Contacts:

Please contact one of the following Seating Concepts team members to address any concerns you may have:

**Customer Service:**  
Ken Hibben 815.730.7980 x 2253  
Mel Randall 815.730.7980 x 2234  
Krista Bagley 815.730.7980 x 2219

**Interior Design:**  
Samantha Uthe 815.730.7980 x 2251  
Lori Manion 815.730.7980 x 2242  
Kimberly Sea 815.730.7980 x 2252  
Rita Gear 815.730.7980 x 2235  
Deb Paulik 815.730.7980 x 2262

\*\*After delivery of decor if you have any questions please contact customer service at 815.730.7980



**PROJECT:**  
Improved 20/20 Light

**LOCATION:** Battle Creek, MI 49037

**ADDRESS:** 1500 W Michigan Ave

**STORE #:** 10528

**DRAWN BY:** Deborah Paulik

**PROJECT MANAGER:** Zach DePyssler

**SALES MANAGER:** Mel Randall

**DATE:** 02-09-17

REVISION HISTORY			
DATE	REV #	DESCRIPTION	INITIALS
02-13-17	1	complete package	DDP
02-17-17	2	revise per pre-order	DDP

**DRAWING TITLE:**  
Interior Building Specifications

**SCALE:** NTS

**ID-10**

**11 x 17 SIZE FORMAT**

12/1/2016							
CODE	MATERIAL	LOCATION	MANUFACTURER	PRODUCT	DESCRIPTION COLOR	ADDITIONAL INFORMATION	
BURGER KING- 20/20 LIGHT INTERIOR INTERIOR MATERIALS & FINISH SCHEDULE ** TO BE USED WITH 20/20 LIGHT GUIDELINES DOC.							
<b>ACOUSTICAL CEILING</b>							
ACT-1L	ACOUSTICAL CEILING TILE	DINING	ARMSTRONG	FINE FISSURED #1732	WHITE GRID: 2 x2 ANGLED TEGULAR 15/16 GRID COLOR: WHITE	2' X 2' X 3/4" CONTACT: LOUIS J. JOHN - NATIONAL ACCOUNTS MANAGER 407-697-6768 LJJOHN@ARMSTRONG.COM	
ACT-1L	ACOUSTICAL CEILING TILE	DINING		FINE FISSURED #1732	ADOBE GRID: 2 x2 ANGLED TEGULAR 15/16 GRID COLOR: ADOBE	2' X 2' X 3/4"	
UPGRADE							
ACT-2L	ACOUSTICAL CEILING TILE	BACK OF HOUSE		#BP672	PANEL COLOR: WHITE KITCHEN ZONE GRID: PRELUDE 15/16" EXPOSED TEE GRID GRID COLOR: WHITE	2' X 4' X 1/2" CONTACT: ARMSTRONG STRATEGIC ACCOUNTS (800) 442-4212	
ACT-1L	ACOUSTICAL CEILING TILE	DINING	USG INTERIORS	WHITE	PANEL COLOR: WHITE GRID: Domn DX/DXL GRID COLOR: WHITE	2' X 2' X 3/4" CONTACT: CHRIS BENJAMIN @ USG 312-436-5458 CBENJAMIN@USG.COM	
UPGRADE							
ACT-1L	ACOUSTICAL CEILING TILE	DINING		TAUPE	PANEL COLOR: TAUPE RADAR CLIMA PLUS #2210 GRID: Domn DX/DXL GRID COLOR: TAUPE	2' X 2' X 3/4"	
ACT-1L	ACOUSTICAL CEILING TILE	DINING					
ACT-2L	ACOUSTICAL CEILING TILE	BACK OF HOUSE		SHEETROCK BRAND LAY-IN	PANEL COLOR: WHITE CEILING PANEL CLIMAPLUS #3270 GRID: Domn DX/DXL GRID COLOR: WHITE	2' X 4' X 1/2"	
<b>FLOOR &amp; WALL FINISHES AT DINING, RESTROOMS &amp; BACK OF HOUSE</b>							
<b>DECORATIVE FLOOR &amp; WALL TILES OPTION A</b>							
CT-1L	CERAMIC TILE	ACCENT TILE	INTERCERAMIC	FORESTLAND	CYPRESS	6" X 24" CONTACT: INTERCERAMIC NATIONAL ACCOUNTS - 214-503-4812 JOSE VALDEZ jvaldez@interceramic.com Phone: (214) 503-5507 MICHAEL MORRIS - CORPORATE ACCOUNTS MANAGER 704-907-7918 MMORRIS@INTERCERAMIC.COM	
CT-2L	CERAMIC TILE	FIELD TILE		ADVANCED GRIGIO	ADVANCED GRIGIO	12" X 24" NOTE: USE WITH GR-8L	
CT-3L	CERAMIC TILE	RESTROOMS FLOORING/WALL		CONCRETE	DARK GRAY	12" X 12" NOTE: USE WITH GR-3L	
CT-4L	CERAMIC TILE	COVE BASE RESTROOMS		CONCRETE	DARK GRAY	6" X 8" NOTE: USE WITH GR-3L	
CT-5L	CERAMIC TILE	RESTROOMS		CONCRETE	BEIGE	12" X 12" NOTE: USE WITH GR-4L	
CT-7L	CERAMIC TILE	COVE BASE RESTROOMS		CONCRETE	BEIGE	6" X 8" NOTE: USE WITH GR-4L	
CT-8L	CERAMIC TILE	RESTROOMS		CONCRETE	BEIGE	4" X 12" NOTE: USE WITH GR-4L	
CT-9L	CERAMIC TILE	FOOD PREP		IC BRITE	ULIA WHITE	8" X 10" NOTE: USE WITH GR-5L	
CT-12L	CERAMIC TILE	DINING AREA BASE		ADVANCED GRIGIO	ADVANCED GRIGIO	6" X 24" (CUT TILE) NOTE: USE WITH GR-8L	
CT-12L	CERAMIC TILE	BULLNOSE DINING AREA BASE		ADVANCED GRIGIO	ADVANCED GRIGIO	3" X 24" NOTE: USE WITH GR-8L	
CT-1L	CERAMIC TILE	ACCENT TILE		GRANITI FIANDRE	EUROWEST	COCO WOOD	6" X 24" CONTACT: JAN DETER AT EUROWEST (714) 309-9551 JOY KLEIN 813-334-3302 jklein@transceramica.com
CT-1L (ALT)	CERAMIC TILE	ACCENT TILE			EUROWEST	COCO WOOD	12" X 24" NOTE: USE WITH GR-1L
CT-2L	CERAMIC TILE	FIELD TILE	EUROWEST		BK CLASSIC HONED	12" X24" NOTE: USE WITH GR-8L	
CT-3L	CERAMIC TILE	RESTROOMS FLOORING/WALL	EUROWEST		NIHON NORI FINISH: HONED	12" X 24" or 12" X 12" NOTE: USE WITH GR-3L	
CT-4L	CERAMIC TILE	COVE BASE RESTROOMS	EUROWEST		NIHON NORI COVEBASE	6" X 12" NOTE: USE WITH GR-3L	
CT-5L	CERAMIC TILE	RESTROOMS	EUROWEST		YUKI	12" X 24" or 12" X 12" NOTE: USE WITH GR-4L	
CT-6L	CERAMIC TILE	WALL ACCENT RESTROOMS TOILET WALL	EUROWEST		FINISH: HONED ISHI BAMBOO MOSAIC	MOSAIC NOTE: USE WITH GR-12L TO BE APPLIED BEHIND TOILET. RUN VERTICALLY.	
CT-7L	CERAMIC TILE	COVE BASE RESTROOMS	EUROWEST		YUKI	6" X 12" NOTE: USE WITH GR-4L	
CT-8L	CERAMIC TILE	RESTROOMS	EUROWEST		COVE BASE YUKI	3" X 12" NOTE: USE WITH GR-4L	
CT-9L	CERAMIC TILE	FOOD PREP	TCL		752060 BIANCO WHITE GLOSS	10" X 18" NOTE: USE WITH GR-5L	
CT-12L	CERAMIC TILE	DINING AREA BASE	EUROWEST		BK CLASSIC HONED	6" X24" (CUT TILE) NOTE: USE WITH GR-1L	
CT-14L	CERAMIC TILE	BEVERAGE STATION TILE BACK WALL	EUROWEST		RITMO ROSSO	8" X 13" CONTACT: JAN DETER AT EUROWEST (714) 309-9551 JOY KLEIN 813-334-3302 jklein@transceramica.com NOTE: USE WITH GR-13L	
<b>DECORATIVE FLOOR &amp; WALL TILES OPTION B</b>							
CT-1L	CERAMIC TILE	ACCENT TILE	EMSER TILE		ALPINE	ESPRESSO	6" X 36" CONTACT: TAMARA RAMSEY (303) 902-3992 tamaramsey@emser.com
CT-2L	CERAMIC TILE	FIELD TILE		SANDSTONE	BEIGE	12" X24" NOTE: USE WITH GR-8L	
CT-3L	CERAMIC TILE	RESTROOMS		SPECULAR	NYSHIRA	12" X12" NOTE: USE WITH GR-3L	
CT-4L	CERAMIC TILE	COVE BASE RESTROOMS		SPECULAR	NYSHIRA	6" X 12" NOTE: USE WITH GR-3L	
CT-5L	CERAMIC TILE	RESTROOMS		SPECULAR	ACAMAR	12" X12" NOTE: USE WITH GR-4L	
CT-7L	CERAMIC TILE	COVE BASE RESTROOMS		SPECULAR	ACAMAR	6" X 12" NOTE: USE WITH GR-4L	
CT-8L	CERAMIC TILE	RESTROOMS		SPECULAR	ACAMAR	3" X 12" NOTE: USE WITH GR-4L	
CT-9L	CERAMIC TILE	FOOD PREP		BASIX	WHITE GLOSS	4" X 16" NOTE: USE WITH GR-5L	
CT-12L	CERAMIC TILE	DINING AREA BASE		F88BASIH0416P SANDSTONE	BEIGE	6" X24" (CUT TILE) NOTE: USE WITH GR-1L	
<b>DECORATIVE FLOOR &amp; WALL TILES OPTION C</b>							
CT-1L	CERAMIC TILE	ACCENT TILE		OLYMPIA TILE	WOODSSENZE	BROWN	4" X 28" CONTACT: NEHUDA FISCH AT ALPHATILE & STONE (800) 785-9000 x-5570 yehuda@alphatile.com
CT-2L	CERAMIC TILE	FIELD TILE			CONCRETE	LIGHT TAUPE	12" X 24" NOTE: USE WITH GR-8L
CT-3L	CERAMIC TILE	RESTROOMS	OKAS		GRIGO	12" X 24" NOTE: USE WITH GR-3L	
CT-4L	CERAMIC TILE	COVE BASE RESTROOMS	OKAS		GRIGO	4" X 24" NOTE: USE WITH GR-3L	
CT-5L	CERAMIC TILE	RESTROOMS	OKAS		AVORIO	12" X 24" NOTE: USE WITH GR-4L	
CT-7L	CERAMIC TILE	COVE BASE RESTROOMS	OKAS		AVORIO	4" X 24" NOTE: USE WITH GR-4L	
CT-9L	CERAMIC TILE	FOOD PREP	CDC		ARCTIC WHITE BRIGHT	4" X 12" NOTE: USE WITH GR-5L	
CT-12L	CERAMIC TILE	DINING AREA BASE	CONCRETE		LIGHT TAUPE	4" X 24" NOTE: USE WITH GR-1L	
CT-14L	CERAMIC TILE	BEVERAGE STATION TILE BACK WALL	RACO		COLOR ONE RED	8" X 16" NOTE: USE WITH GR-13L	

**GENERAL CONTRACTOR SPECIFICATIONS -- GROUT, WALL TILE**



125 Connell Ave  
Rockdale, IL 60436

[www.seating-concepts.com](http://www.seating-concepts.com)

T: 815.730.7980 F: 815.730.7969

This drawing contains proprietary information by Seating Concepts. Unauthorized use or reproduction is prohibited without expressed written consent of Seating Concepts.

**Project Contacts:**

Please contact one of the following Seating Concepts team members to address any concerns you may have:

Customer Service:  
Ken Hibben 815.730.7980 x 2253  
Mel Randall 815.730.7980 x 2234  
Krista Bagley 815.730.7980 x 2219

Interior Design:  
Samantha Uthe 815.730.7980 x 2251  
Lori Manion 815.730.7980 x 2242  
Kimberly Sea 815.730.7980 x 2252  
Rita Gear 815.730.7980 x 2235  
Deb Paulik 815.730.7980 x 2262

\*\*After delivery of decor if you have any questions please contact customer service at 815.730.7980



PROJECT: Improved 20/20 Light

LOCATION: Battle Creek, MI 49037

ADDRESS: 1500 W Michigan Ave

STORE #: 10528

DRAWN BY: Deborah Paulik

PROJECT MANAGER: Zach DePyssler

SALES MANAGER: Mel Randall

DATE: 02-09-17

**REVISION HISTORY**

DATE	REV #	DESCRIPTION	INITIALS
02-13-17	1	complete package	DDP
02-17-17	2	revise per pre-order	DDP

DRAWING TITLE: Interior Building Specifications

SCALE: NTS

**ID-11**

11 x 17 SIZE FORMAT

GROUT							
GR-1L	GROUT	ACCENT TILE	CUSTOM BUILDING PRODUCTS	POLYBLEND SANDED	#185 - NEW TAUPE	NOTE: USE WITH CT-1L *** FOR SETTING MATERIALS USE COMPETE CONTACT RAPID SET	
			MAPEI	SANDED	#09 GRIS	NOTE: USE WITH CT-1L *** FOR SETTING MATERIALS USE MAPEI ULTRA-CONTACT-GRAY	
GR-2L	GROUT	WALL TILE	CUSTOM BUILDING PRODUCTS	POLYBLEND SANDED	#101 QUARTZ	NOTE: USE WITH CT-16L *** FOR SETTING MATERIALS USE COMPETE CONTACT RAPID SET	
			MAPEI	SANDED	#14 BISCUIT	NOTE: USE WITH CT-16L *** FOR SETTING MATERIALS USE MAPEI ULTRA-CONTACT-GRAY	
GR-3L	GROUT	RESTROOMS	CUSTOM BUILDING PRODUCTS	POLYBLEND SANDED	#19 PEWTER	NOTE: USE WITH CT-3L, CT-4L *** FOR SETTING MATERIALS USE COMPLETE CONTACT RAPID SET	
			MAPEI	SANDED	#47 CHARCOAL	NOTE: USE WITH CT-3L, CT-4L *** FOR SETTING MATERIALS USE MAPEI ULTRA-CONTACT-GRAY	
GR-4L	GROUT	RESTROOMS	CUSTOM BUILDING PRODUCTS	POLYBLEND SANDED	#101 QUARTZ	NOTE: USE WITH CT-5L, CT-7L, CT-8L *** FOR SETTING MATERIALS USE COMPLETE CONTACT RAPID SET	
			MAPEI	SANDED	#44 PALE UMBER	NOTE: USE WITH CT-5L, CT-7L, CT-8L *** FOR SETTING MATERIALS USE MAPEI ULTRA-CONTACT-GRAY	
GR-5L	GROUT	FOOD PREP	CUSTOM BUILDING PRODUCTS	POLYBLEND SANDED	#381 - BRIGHT WHITE	NOTE: USE WITH CT-9L *** FOR SETTING MATERIALS USE COMPLETE CONTACT RAPID SET	
			MAPEI	ULTRA COLOR UNSANDED	#38 AVALANCHE	NOTE: USE WITH CT-9L *** FOR SETTING MATERIALS USE MAPEI ULTRA-CONTACT-GRAY	
GR-8L	GROUT	FIELD TILE	CUSTOM BUILDING PRODUCTS	POLYBLEND SANDED	#386 OYSTER GRAY	NOTE: USE WITH CT-2L *** FOR SETTING MATERIALS USE COMPLETE CONTACT RAPID SET	
			MAPEI	ULTRA COLOR UNSANDED	#02 PEWTER	NOTE: USE WITH CT-2L *** FOR SETTING MATERIALS USE MAPEI ULTRA-CONTACT-GRAY	
GR-9L	GROUT	FSC & ACCENT WALL TILE	LATICRETE	POLYBLEND SANDED	#66 CHESTNUT BROWN	NOTE: USE WITH CT-18L *** FOR SETTING MATERIALS USE COMPLETE CONTACT RAPID SET	
			CUSTOM BUILDING PRODUCTS	POLYBLEND SANDED	#145 LIGHT SMOKE	NOTE: USE WITH WP-1L *** FOR SETTING MATERIALS USE COMPLETE CONTACT RAPID SET	
GR-11L	GROUT	FIELD TILE	MAPEI	ULTRA COLOR UNSANDED	#05 CHAMOIS	NOTE: USE WITH WP-1L	
			LATICRETE	POLYBLEND SANDED	#24 NATURAL GREY	NOTE: USE WITH CT-6L *** FOR SETTING MATERIALS USE COMPLETE CONTACT RAPID SET	
GR-12L	GROUT	RESTROOM	LATICRETE	POLYBLEND SANDED	#24 NATURAL GREY	NOTE: USE WITH CT-6L *** FOR SETTING MATERIALS USE COMPLETE CONTACT RAPID SET	
			MAPEI	ULTRA COLOR UNSANDED	#05 CHAMOIS	NOTE: USE WITH CT-14L AND CT-24L *** FOR SETTING MATERIALS USE MAPEI ULTRA-CONTACT-GRAY	
GR-13L	GROUT	BEVERAGE STATION TILE	LATICRETE	POLYBLEND SANDED	#66 CHESTNUT BROWN	NOTE: USE WITH CT-18L *** FOR SETTING MATERIALS USE COMPLETE CONTACT RAPID SET	
			MAPEI	ULTRA COLOR UNSANDED	#05 CHAMOIS	NOTE: USE WITH CT-14L AND CT-24L *** FOR SETTING MATERIALS USE MAPEI ULTRA-CONTACT-GRAY	
GR-14L	GROUT	FSC KNEEWALL / ACCENT WALL	CUSTOM BUILDING PRODUCTS	POLYBLEND SANDED	#52 TOBACCO BROWN	NOTE: USE WITH CT-20L *** FOR SETTING MATERIALS USE COMPLETE CONTACT RAPID SET	
			LATICRETE	POLYBLEND SANDED	#66 CHESTNUT BROWN	NOTE: USE WITH CT-18L *** FOR SETTING MATERIALS USE COMPLETE CONTACT RAPID SET	
BACK OF HOUSE FLOOR TILE							
CT-10L	QUARRY TILE	BACK OF HOUSE	DAL-TILE	QUARRY TILE	0Q42 ARID GRAY	6" X 6" CONTACT: DAL TILE SUPPORT CENTER @ (877) 556-5728 ***ADD ABRASIVE GRAIN	
			OLYMPIA TILE	METROPOLITAN	PURITAN GREY	6" X 6" CONTACT: YEHUDA FISCH AT ALPHATILE & STONE (800) 785-9000 x-5570 yehuda@alphatile.com	
CT-11L	QUARRY TILE BASE	BACK OF HOUSE	DAL-TILE	QUARRY TILE	Q-3565	5" X 6" NOTE: USE WITH GR-6L	
		COVE BASE			COVE BASE - ARID GRAY		
GR-6L	GROUT	BACK OF HOUSE	LATICRETE	SPECTRALOCK 2000 IG	# 45 "RAVEN"	NOTE: USE WITH CT-10L, CT-11L	
TS -1L	TRANSITION STRIP	CERAMIC TILE TO CERAMIC TILE	SCHLUTER SYSTEMS	TRANSITION PROFILES FOR FLOORS	SCHIENE (RADIUS) AE 100 - R, SATIN ANODIZED ALUMINUM 3/8" - 10MM	CONTACT: KIRBY DAVIS AT LATICRETE (203) 671-7210 CONTACT: EARL MAICUS AT SCHLUTER SYSTEMS 800-267-0817 EMAICUS@SCHLUTER.COM	
WALL FINISHES / PAINT							
CT-16L	STONE (MOSAIC)	WALL ACCENT	EMSER TILE	SPLIT FACE OFFSET BEIGE	ANTIQUE & TUMBLED STONE	12" x 12"	CONTACT: TAMARA RAMSEY (303) 902-3992 tamararamsey@emser.com NOTE: USE WITH GR-2L
				MOSAIC			
			INTERCERAMIC	DESERT TRAVONYA	ANTIQUE & TUMBLED STONE	12" x 12"	CONTACT: JOSE VALDEZ jvaldez@interceramic.com Phone: (214) 503-5507
				SPLIT FACE STONE	NOTE: GC TO SEAL STONE		JOSE VALDEZ jvaldez@interceramic.com Phone: (214) 503-5507 MICHAEL MORRIS - CORPORATE ACCOUNTS MANAGER 704-907-7918 MMORRIS@INTERCERAMIC.COM
CT-20L	CERAMIC TILE	FSC KNEE WALL & ACCENT WALL	GRANITI FIANDRE	LEGNI HIGH TECH	ROVERE MOKA	6" X 36" CONTACT: JAN DETER AT EUROWEST (714) 309-9551 JOY KLEIN 813-334-3302 jklein@transceramica.com NOTE: USE WITH GR-14L	
CT-21L	CERAMIC TILE	WALL ACCENT	DAL-TILE	KIMONA SILK	P320	12" x 24"	CONTACT: DAL TILE SUPPORT CENTER @ (877) 556-5728 NOTE: CAN BE PROVIDED FOR LOCATION THAT REQUIRES LIGHTER COLOR TILES BEHIND BEVERAGE STATION
				WHITE ORCHID			
			GRANITI FIANDRE	T577	WILD SILK	12" x 24"	CONTACT: JAN DETER AT EUROWEST (714) 309-9551 JOY KLEIN 813-334-3302 jklein@transceramica.com NOTE: CAN BE PROVIDED FOR LOCATION THAT REQUIRES LIGHTER COLOR TILES BEHIND BEVERAGE STATION
FRP-1L	FIBERGLASS REINFORCED PANEL	BACK OF HOUSE	MARLITE	STANDARD FRP	S100 S2S		CONTACT: MIKE FREW AT MARLITE (330) 260-7623 MFREW@marlite.com
MT-1L	METAL	FRONT COUNTER ACCENT		BAR STOCK	CLEAR ALUMINUM	1/4" X 1/4"	CUSTOMER SERVICE - (330) 343-6621

# GENERAL CONTRACTOR SPECIFICATIONS -- PAINT, LAMINATES



125 Connell Ave  
Rockdale, IL 60436

[www.seating-concepts.com](http://www.seating-concepts.com)

T: 815.730.7980 F: 815.730.7969

This drawing contains proprietary information by Seating Concepts. Unauthorized use or reproduction is prohibited without expressed written consent of Seating Concepts.

### Project Contacts:

Please contact one of the following Seating Concepts team members to address any concerns you may have:

**Customer Service:**  
Ken Hibben 815.730.7980 x 2253  
Mel Randall 815.730.7980 x 2234  
Krista Bagley 815.730.7980 x 2219

**Interior Design:**  
Samantha Uthe 815.730.7980 x 2251  
Lori Manion 815.730.7980 x 2242  
Kimberly Sea 815.730.7980 x 2252  
Rita Gear 815.730.7980 x 2235  
Deb Paulik 815.730.7980 x 2262

\*\*After delivery of decor if you have any questions please contact customer service at 815.730.7980



**PROJECT:**  
Improved 20/20 Light

**LOCATION:** Battle Creek, MI 49037

**ADDRESS:** 1500 W Michigan Ave

**STORE #:** 10528

**DRAWN BY:** Deborah Paulik

**PROJECT MANAGER:** Zach DePyssler

**SALES MANAGER:** Mel Randall

**DATE:** 02-09-17

REVISION HISTORY			
DATE	REV #	DESCRIPTION	INITIALS
02-13-17	1	complete package	DDP
02-17-17	2	revise per pre-order	DDP

**DRAWING TITLE:**  
Interior Building Specifications

**SCALE:** NTS

**ID-12**

**11 x 17 SIZE FORMAT**

P-2L	PAINT	EXPOSED CEILING ACCENT- BLACK MENU BOARD SOFFIT	PPG	PRIMER: 17-921 (Primer Color Grey)	DEEP ONYX 00NN 07/000	Contact: Rick Garlin PPG Corporate National Accounts Manager phone: 317-318-5800 email: garlin@ppg.com		
					PAINT: PPG 6-411 (Alt. PPG 25-250)			
					Eggshell			
P-3L	PAINT	INTERIOR WALLS			PRIMER: 6-2	WRIGHT STONE 10YY 30/106		
					PAINT: PPG 6-411		SOFFIT PLASTER FINISH TO BE "ORANGE PEEL" TYPE (EGGSHELL/SPLATTER) WALL PLASTER FINISH TO BE "ORANGE PEEL" TYPE (EGGSHELL/SPLATTER)	
					Eggshell			
P-4L	PAINT	INTERIOR DOOR FRAMES	PPG	PRIMER: 6-212	WRIGHT STONE 10YY 30/106	Contact: Rick Garlin PPG Corporate National Accounts Manager phone: 317-318-5800 email: garlin@ppg.com		
					PAINT: 6-1110XI		SOFFIT PLASTER FINISH TO BE "ORANGE PEEL" TYPE (EGGSHELL/SPLATTER) WALL PLASTER FINISH TO BE "ORANGE PEEL" TYPE (EGGSHELL/SPLATTER)	
					Eggshell			
P-5L	PAINT	RESTROOM CEILING			PRIMER: 6-2	WHITE ON WHITE 30GY 88/014		
					PAINT: PPG 6-411			
					Eggshell			
P-6L	PAINT	EXPOSED DECKING, WOOD TRUSSES EXPOSED CEILING	PPG	PRIMER: 17-921 (Primer Color Grey)	SLATE BROWN 00YY 09/087			
					PAINT: PPG 6-411			
					Eggshell			
P-8L	PAINT	INTERIOR WALLS			PRIMER: 6-2	WRIGHT STONE 10YY 30/106		
					PAINT: PPG 6-411 (Alt. PPG 25-250)			
					Eggshell			
P-9L	PAINT	DOOR FRAMES	PPG	PRIMER: 6-212	WRIGHT STONE 10YY 30/106			
					PAINT: 6-1110XI			
					Eggshell			
P-11L	PAINT	INTERIOR WALLS ACCENT			PRIMER: 6-2	TRADITIONAL TAN	NOTE: USE 1" NAP ROLLER FOR LIGHT ORANGE PEEL TEXTURE	
					PAINT: PPG 6-411			
					Eggshell			
P-14L	PAINT	ACCENT PAINT SOFFIT	PPG	PRIMER: 6-212	FLAMING RED Custom Formula			
					PAINT: PPG 6-411 (Alt. PPG 25-250)			
					Eggshell			
PL-1L	PLASTIC LAMINATE	WAINSCOT/BOOTH/DOORS (SEE PLANS)		PIONITE	PLASTIC LAMINATE	APPEARS LIKATRE WP115-SUPERMATTE	CONTACT: NICOLE LEE AT PANOLAM INDUSTRIES 561-353-6840 Nicole_lee@panolam.com BK LAMINATE ORDER THROUGH JOHN TRULOCK 407-618-3732 John_Trulock@panolam.com	
							Note: BK finish is Super matte. No finish substitutions	
PL-5L	PLASTIC LAMINATE	ACCENT TABLE TOPS				PLASTIC LAMINATE	ABSOLUTE ACAJOU WY160-N	
PL-11L (SEE NOTE FOR USAGE)	PLASTIC LAMINATE	BARSTOOL BACK & FRONT			PLASTIC LAMINATE	NUBIAN BROWN ST604-S	NOTE: TO BE USED WITH PL-6L	
PL-1L	PLASTIC LAMINATE	WAINSCOT/BOOTH/DOORS (SEE PLANS)	WILSONART		PLASTIC LAMINATE	11101K-12 NORTHERN PINE	CONTACT: PATTY GOFFE@ WILSONART 678-296-7271	
PL-4L	PLASTIC LAMINATE	FRONT COUNTER FACE ACCENT			PLASTIC LAMINATE	4830-07 SATIN STAINLESS		
PL-10L (SEE NOTE FOR USAGE)	PLASTIC LAMINATE	TABLE TOPS AT FEATURE ELEMENT			PLASTIC LAMINATE	7968K-12 LOFT OAK	NOTE: TO BE USED FOR ENHANCED PACKAGE ONLY REFER TO 2020 LIGHT GUIDELINES FOR FURTHER DIRECTIONS	
WP-1L	WALL PANEL SYSTEM	GENERAL WAINSCOTTING	MARLITE	PLASTIC LAMINATE	707.0000 RIBBONWOOD	CONTACT: MIKE FREW AT MARLITE (330) 260-7623 MFREW@marlite.com CUSTOMER SERVICE - (330) 343-6621		
PL-6L (SEE NOTE FOR USAGE)	PLASTIC LAMINATE	CHAIRS BACK & FRONT SOFFIT ACCENT	FORMICA	PLASTIC LAMINATE	6902-58 GRENADINE	CONTACT: RICK LUDERS 678-206-8297 Rick.Luders@formica.com		
PL-9L (SEE NOTE FOR USAGE)	PLASTIC LAMINATE	FEATURE ELEMENT LOW WALL TABLE TOPS (OPTION FOR FSC KNEEWALL)	NEVAMAR	PLASTIC LAMINATE	WK0017T VENERABLE OLD OAK	CONTACT: NICOLE LEE AT PANOLAM INDUSTRIES 561-353-6840 Nicole_lee@panolam.com BK LAMINATE ORDER THROUGH JOHN TRULOCK 407-618-3732 John_Trulock@panolam.com		
TR-1L	METAL TRIM	DINING FLOOR TRANSITION	SCHLUTER	AE 100 D	SATIN ANODIZED ALUMINUM	3/8" TILE THICKNESS CONTACT: EARL MAICUS @ SCHLUTER SYSTEMS 800-267-0817 EMAICUS@SCHLUTER.COM		
TR-2L	METAL TRIM	GENERAL DINING TRANSITION			RECTANGULAR BAR STOCK	BRUSHED ALUMINUM	1" X 1/4"	
TR-3L	METAL TRIM	GENERAL WALL TRANSITION			CORNER GUARD	BRUSHED ALUMINUM	1/2" X 1/2"	
WP-1L UPGRADE	CERAMIC TILE	GENERAL WAINSCOTTING	GRANITI FIANDRE	EUROWEST	HAZELNUT TAN	12" X 24" CONTACT: JAN DETER AT EUROWEST (714) 309-9551 JOY KLEIN 813-334-3302 jklein@transceramica.com NOTE: USE WITH GR-11L		



**GENERAL CONTRACTOR SPECIFICATIONS -- SOLID SURFACE, UPHOLSTERY, RESIN**



125 Connell Ave  
Rockdale, IL 60436

[www.seating-concepts.com](http://www.seating-concepts.com)

T: 815.730.7980 F: 815.730.7969

This drawing contains proprietary information by Seating Concepts. Unauthorized use or reproduction is prohibited without expressed written consent of Seating Concepts.

**Project Contacts:**

Please contact one of the following Seating Concepts team members to address any concerns you may have:

Customer Service:  
Ken Hibben 815.730.7980 x 2253  
Mel Randall 815.730.7980 x 2234  
Krista Bagley 815.730.7980 x 2219

Interior Design:  
Samantha Uthe 815.730.7980 x 2251  
Lori Manion 815.730.7980 x 2242  
Kimberly Sea 815.730.7980 x 2252  
Rita Gear 815.730.7980 x 2235  
Deb Paulik 815.730.7980 x 2262

\*\*After delivery of decor if you have any questions please contact customer service at 815.730.7980



PROJECT:

**Improved 20/20 Light**

LOCATION: Battle Creek, MI 49037

ADDRESS: 1500 W Michigan Ave

STORE #: 10528

DRAWN BY: Deborah Paulik

PROJECT MANAGER: Zach DePyssler

SALES MANAGER: Mel Randall

DATE: 02-09-17

**REVISION HISTORY**

DATE	REV #	DESCRIPTION	INITIALS
02-13-17	1	complete package	DDP
02-17-17	2	revise per pre-order	DDP

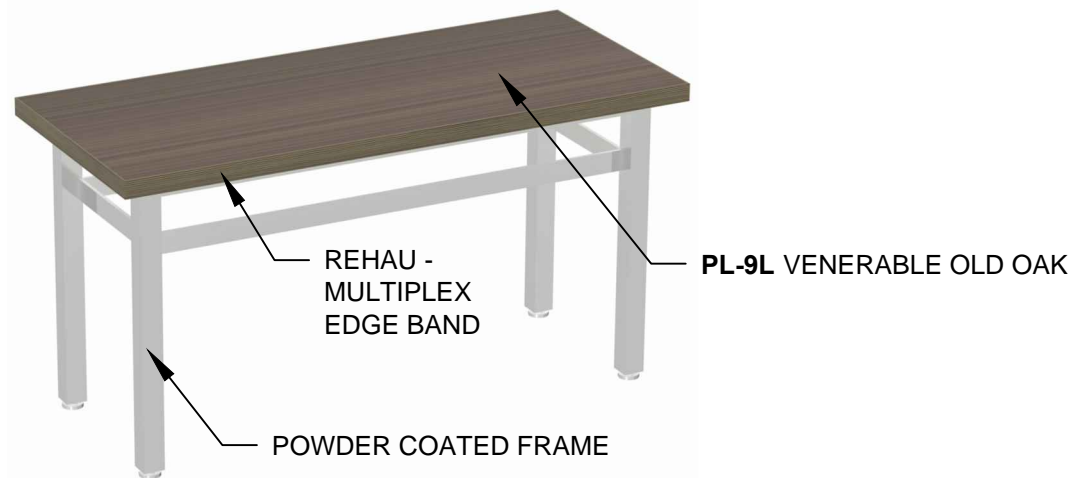
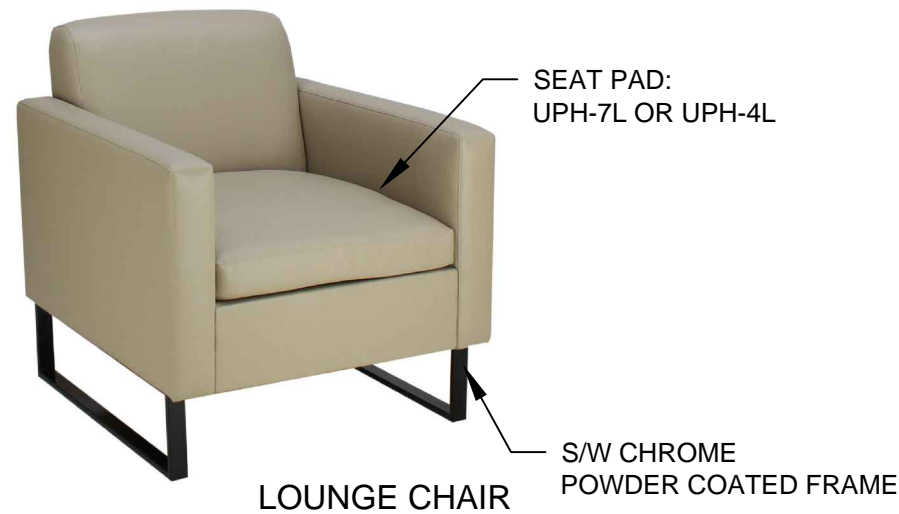
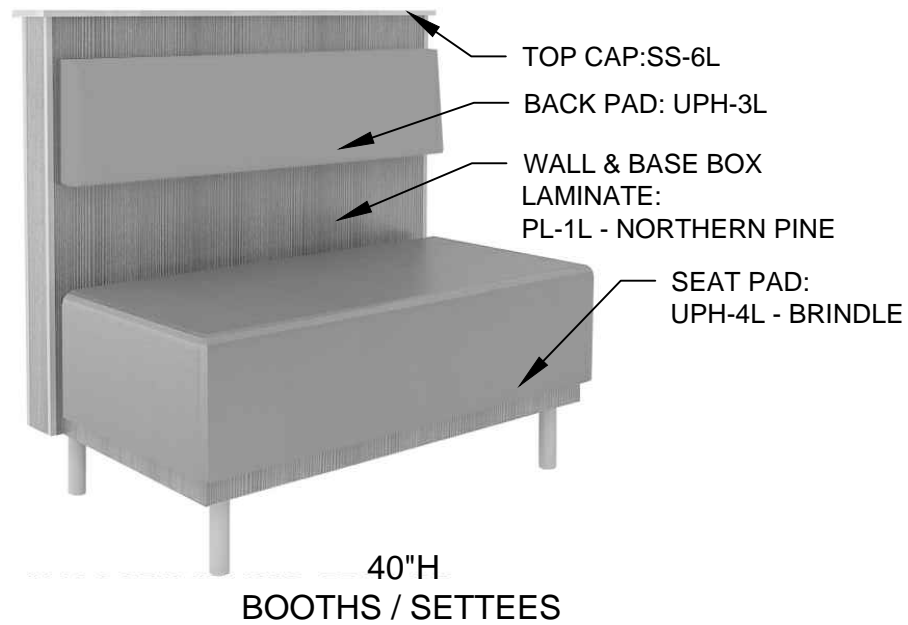
DRAWING TITLE: Interior Building Specifications

SCALE: NTS

**ID-13**

**11 x 17 SIZE FORMAT**

SOLID SURFACE							
SS-1L	SOLID SURFACE	FIXTURES AS NOTED FSC	CORIAN	SOLID SURFACE	SANDALWOOD PRIVATE COLLECTION	1/2" THICKNESS	CONTACT: RANDY HOUSTON @ 404-274-3047
SS-2L	SOLID SURFACE	FIXTURES AS NOTED TOP CAP/ SILL		SOLID SURFACE	SANDALWOOD PRIVATE COLLECTION	1/2" THICKNESS	
SS-3L	SOLID SURFACE	FIXTURES AS NOTED FEATURE ELEMENT/TOP CAP		SOLID SURFACE	SANDALWOOD PRIVATE COLLECTION	1/2" THICKNESS	
SS-7L	SOLID SURFACE	FIXTURES AS NOTED		SOLID SURFACE	WITCH HAZEL	1/2" THICKNESS	
SS-1L	SOLID SURFACE	FIXTURES AS NOTED		SOLID SURFACE	TERNI M201	1/2" THICKNESS	CONTACT: CHERI RUKAVINA @ LG SURFACES (404) 435-8092
		FSC					
SS-2L	SOLID SURFACE	FIXTURES AS NOTED	LG SURFACES	SOLID SURFACE	TERNI M201	1/2" THICKNESS	
		TOP CAP/ SILL		SOLID SURFACE	TERNI M201	1/2" THICKNESS	
SS-3L	SOLID SURFACE	FIXTURES AS NOTED		SOLID SURFACE	TERNI M201	1/2" THICKNESS	
		FEATURE ELEMENT/TOP CAP					
SS-6L	SOLID SURFACE	FIXTURES AS NOTED		SOLID SURFACE	HI-MACS COCONUT	1/2" THICKNESS	
SS-6L	SOLID SURFACE	FIXTURES AS NOTED		SAMSUNG / STARON	SOLID SURFACE	ASPEN LILY AL646	1/2" THICKNESS
FABRICS							
UPH-3L	FABRIC	SEATING	CF STINSON	AVANT	AV130		CONTACT: GLENN STINSON @ 248-299-3800
		BACK PAD			BONE		
UPH-4L	FABRIC	SEATING		AVANT	BK CUSTOM DESERT		
UPH-5L	FABRIC	SEAT PAD/ SOFT SEATING		BK INTERLACE	NATURAL		
		SEATING					
UPH-6L	FABRIC	BACK PAD / BACK REST SOFT SEATING		MOXIE	MOX 70 MOJO		
		SEATING					
UPH-8L	FABRIC	SEATING	AVANT	BK CUSTOM RED			
UPH-7L	FABRIC	SEAT PAD/ BACK PAD/ SOFT SEATING	MAHARAM	LARIAT 440401	010 TAUPE		CONTACT: ZANDY RODON 404-909-8444 zrodon@maharam.com
		SEATING					
UPH-9L	FABRIC	SOFT SEAT SEAT		LINEAGE 466127	002 TUSOCK		
		SEATING					
		BACK PAD / BACK REST SOFT SEATING					
WALLPAPERS							
WC-1L	WALL PAPER	WALL FINISH	WOLF GORDON	WALL COVERING	BROOKLYN FULTON		CONTACT: VALERIE PEDERSON - NATIONAL SALES REPRESENTATIVE 612-251-5330 VALERIE.PEDERSON@WOLFGORDON.COM
		DINING ROOM			G-7938684		
WC-2L	WALL PAPER	WALL FINISH	MDC WALL COVERING	WALL COVERING	CHI, SABLE		CONTACT: 800-621-4006
		DINING ROOM			1162 CI		
WC-3L	WALL PAPER	WALL FINISH		LEDA	ALABASTER		CONTACT: KATE KOLACKI 561-262-8932 <a href="mailto:KKOLACKI@KNOLL.COM">KKOLACKI@KNOLL.COM</a> WWW.KNOLLTEXTILES.COM
		DINING ROOM			WC1033/2		
WC-4L	WALL PAPER	WALL FINISH	KNOLL TEXTILES	THE INK COLLECTION	PUNCH		NOTE: (4 WEEKS LEAD TIME)
		PLAYGROUND			DRIP	WC1408/1	
WC-5L	WALL PAPER	WALL FINISH		THE INK COLLECTION	SAKE		
		PLAYGROUND		DRIP	WC1408/3		
WC-6L	WALL PAPER	WALL FINISH		THE INK COLLECTION	CORAL		
		PLAYGROUND		RUN	WC1409/1		
RESIN PANEL							
R-1L	RESIN	DIVIDER SCREENS	3-FORM	VARIA ECORESIN	TING TING PATENT FINISH FRONT & BACK	3/8" THICK	CONTACT: JULIANA SHARKEY (954.579.6545) & JANICE ELDREDGE (801.649.2599) (3 WEEKS LEAD TIME )
R-2L	RESIN	SMOOTHIE STATION DIVIDER SCREEN		VARIA ECORESIN	TING TING SUPERMATTE	3/8" THICK	NOTE: R1-L TO BE USED WITH R2-L
R-1L (ALT1)	RESIN	DIVIDER SCREENS		MODERNA	COURRIER SANDSTONE FINISH FRONT & BACK	3/8" THICK	NOTE: R1-L (ALT1) TO BE USED WITH R2-L (ALT1)
R-2L (ALT1)	RESIN	SMOOTHIE STATION DIVIDER SCREEN		MODERNA	COURRIER SUPERMATTE	3/8" THICK	RESIN PANEL TYPE CANNOT BE MIX/ MATCH WITHIN RESTAURANT
R-1L (ALT2)	RESIN	DIVIDER SCREENS	LUMICOR	WHITE HAVEN COLLECTION	KAURI - FRONT & BACK FINISH: SATIN	3/8" THICK	CONTACT: DOROTHY L. DAVIS (305.213.3364) EMAIL - DDAVIS@THEAREYNOLDS.COM (3 WEEKS LEAD TIME )
R-2L (ALT2)	RESIN	SMOOTHIE STATION DIVIDER SCREENS		WHITE HAVEN COLLECTION	KAURI - FRONT FINISH: SATIN	3/8" THICK	NOTE: R1-L (ALT2) TO BE USED WITH R2-L (ALT2)
					BACK FINISH- FROST		RESIN PANEL TYPE CANNOT BE MIX/ MATCH WITHIN RESTAURANT



BK 20/20 LIGHT OCCASIONAL TABLE



20/20 LIGHT TRASH



CHAIR

This drawing contains proprietary information by Seating Concepts. Unauthorized use or reproduction is prohibited without expressed written consent of Seating Concepts.

**Project Contacts:**

Please contact one of the following Seating Concepts team members to address any concerns you may have:

Customer Service:  
 Ken Hibben 815.730.7980 x 2253  
 Mel Randall 815.730.7980 x 2234  
 Krista Bagley 815.730.7980 x 2219

Interior Design:  
 Samantha Uthe 815.730.7980 x 2251  
 Lori Manion 815.730.7980 x 2242  
 Kimberly Sea 815.730.7980 x 2252  
 Rita Gear 815.730.7980 x 2235  
 Deb Paulik 815.730.7980 x 2262

\*\*After delivery of decor if you have any questions please contact customer service at 815.730.7980



PROJECT: Improved 20/20 Light

LOCATION: Battle Creek, MI 49037

ADDRESS: 1500 W Michigan Ave

STORE #: 10528

DRAWN BY: Deborah Paulik

PROJECT MANAGER: Zach DePyssler

SALES MANAGER: Mel Randall

DATE: 02-09-17

REVISION HISTORY			
DATE	REV #	DESCRIPTION	INITIALS
02-13-17	1	complete package	DDP
02-17-17	2	revise per pre-order	DDP

DRAWING TITLE: Product Images

SCALE: 3/16" = 1'-0"

**ID-14**

11 x 17 SIZE FORMAT

This drawing contains proprietary information by Seating Concepts. Unauthorized use or reproduction is prohibited without expressed written consent of Seating Concepts.

**Project Contacts:**

Please contact one of the following Seating Concepts team members to address any concerns you may have:

Customer Service:  
Ken Hibben 815.730.7980 x 2253  
Mel Randall 815.730.7980 x 2234  
Krista Bagley 815.730.7980 x 2219

Interior Design:  
Samantha Uthe 815.730.7980 x 2251  
Lori Manion 815.730.7980 x 2242  
Kimberly Sea 815.730.7980 x 2252  
Rita Gear 815.730.7980 x 2235  
Deb Paulik 815.730.7980 x 2262

\*\*After delivery of decor if you have any questions please contact customer service at 815.730.7980



PROJECT: Improved 20/20 Light  
LOCATION: Battle Creek, MI 49037  
ADDRESS: 1500 W Michigan Ave  
STORE #: 10528  
DRAWN BY: Deborah Paulik  
PROJECT MANAGER: Zach DePyssler  
SALES MANAGER: Mel Randall

DATE: 02-09-17

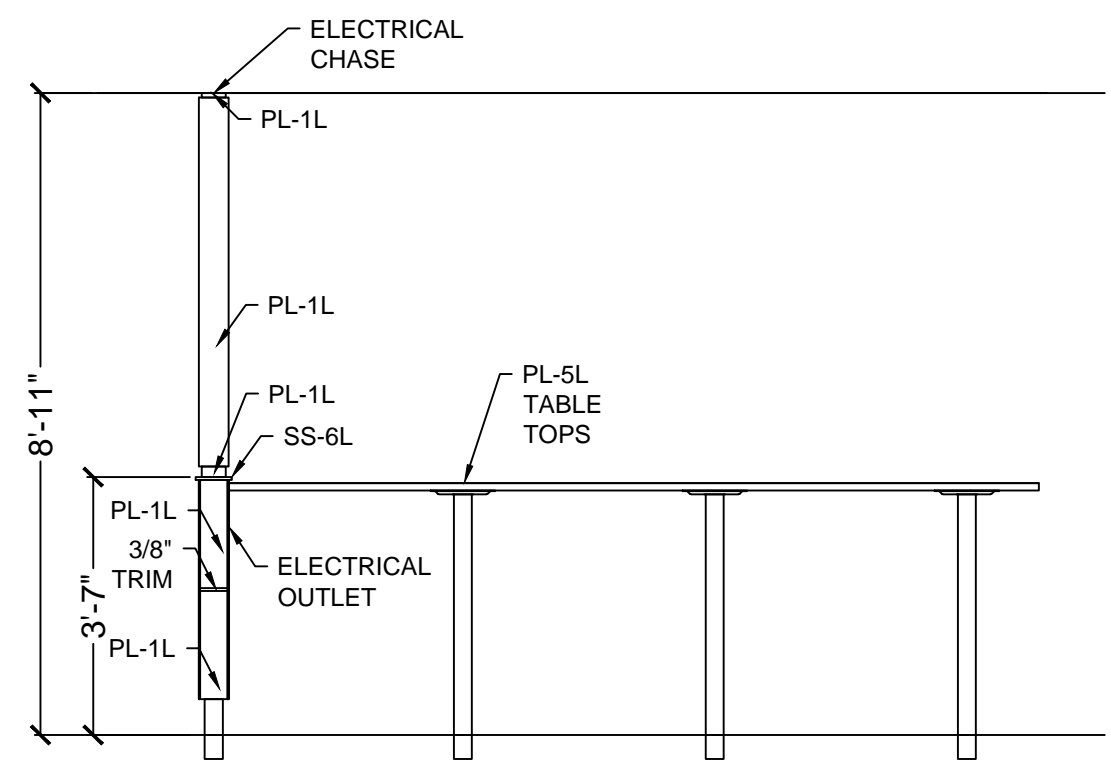
REVISION HISTORY			
DATE	REV #	DESCRIPTION	INITIALS
02-13-17	1	complete package	DDP
02-17-17	2	revise per pre-order	DDP

DRAWING TITLE: Product Details

SCALE: 3/8" = 1'-0"

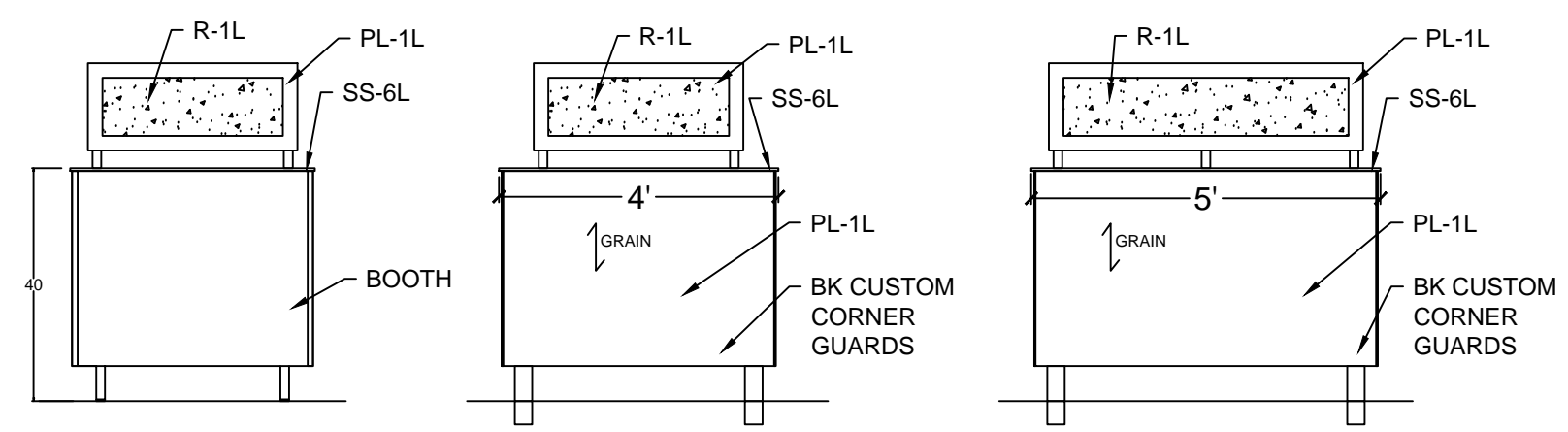
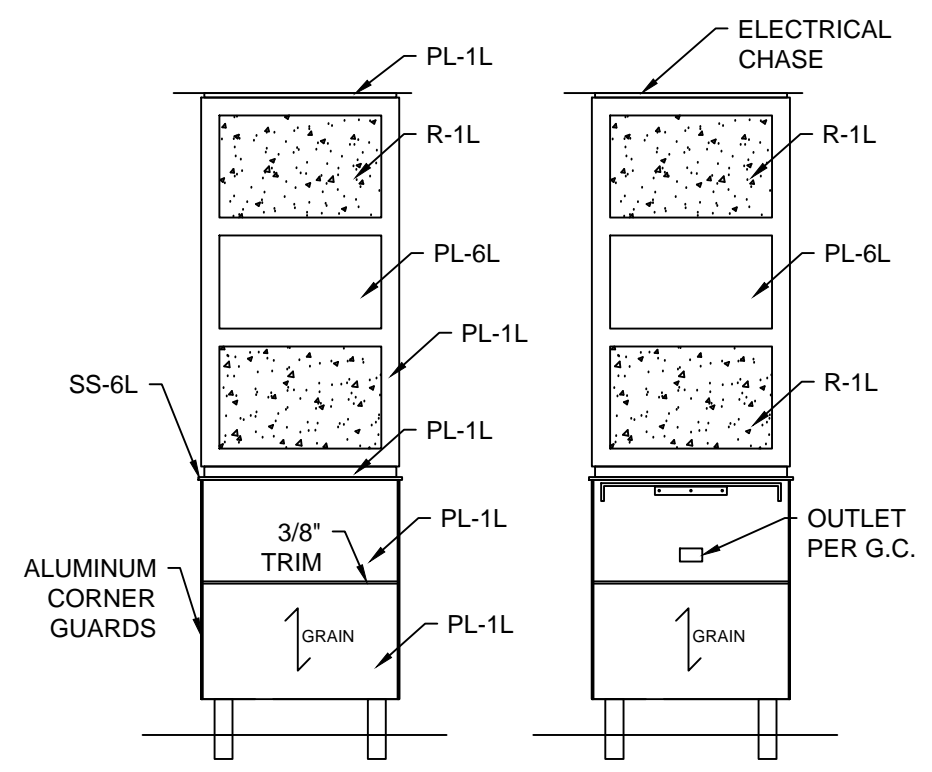
**ID-15**

11 x 17 SIZE FORMAT



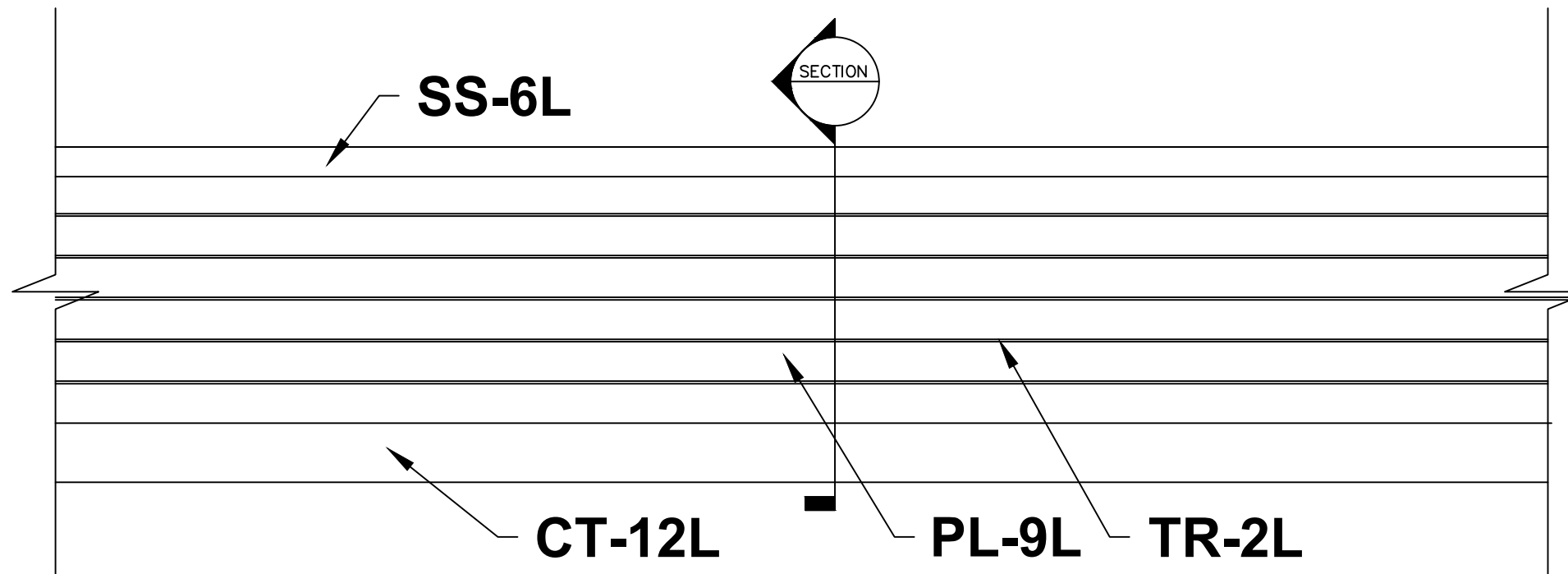
**Community Table Elevations**

5 6 7



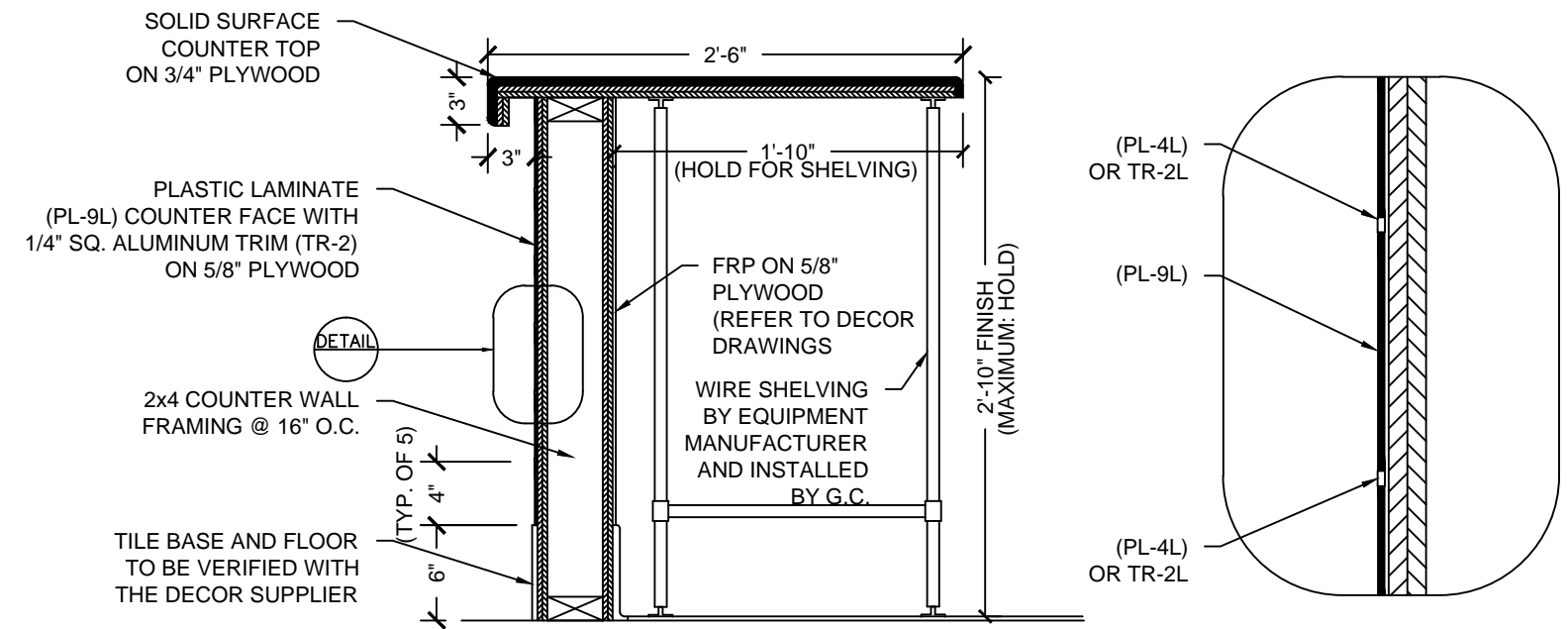
**Low Divider Screen Elevation**

8 9 10



## FRONT SERVICE COUNTER ELEVATION VIEW

SCALE: 3/4" = 1'-0"



## FRONT SERVICE COUNTER SECTION DETAIL

SCALE: 1" = 1'-0"

**SEATING Concepts**  
 125 Connell Ave  
 Rockdale, IL 60436  
 www.seating-concepts.com  
 T: 815.730.7980 F: 815.730.7969

This drawing contains proprietary information by Seating Concepts. Unauthorized use or reproduction is prohibited without expressed written consent of Seating Concepts.

**Project Contacts:**  
 Please contact one of the following Seating Concepts team members to address any concerns you may have:

Customer Service:  
 Ken Hibben 815.730.7980 x 2253  
 Mel Randall 815.730.7980 x 2234  
 Krista Bagley 815.730.7980 x 2219

Interior Design:  
 Samantha Uthe 815.730.7980 x 2251  
 Lori Manion 815.730.7980 x 2242  
 Kimberly Sea 815.730.7980 x 2252  
 Rita Gear 815.730.7980 x 2235  
 Deb Paulik 815.730.7980 x 2262

\*\*After delivery of decor if you have any questions please contact customer service at 815.730.7980



PROJECT: Improved 20/20 Light

LOCATION: Battle Creek, MI 49037

ADDRESS: 1500 W Michigan Ave

STORE #: 10528

DRAWN BY: Deborah Paulik

PROJECT MANAGER: Zach DePyssler

SALES MANAGER: Mel Randall

DATE: 02-09-17

REVISION HISTORY			
DATE	REV #	DESCRIPTION	INITIALS
02-13-17	1	complete package	DDP
02-17-17	2	revise per pre-order	DDP

DRAWING TITLE: FSC Details

SCALE: VARIES

**ID-16**

11 x 17 SIZE FORMAT