

NIBLICK POLY LED

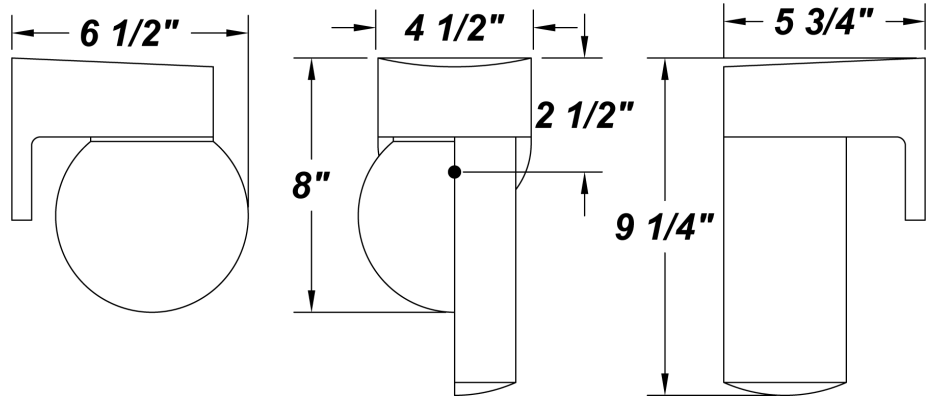


COMPACT FLUORESCENT

PROJECT :
TYPE :
ORDERING # :
COMMENTS :

FEATURES

- Black or White Polycarbonate Housing
- Luminous White Polycarbonate Jar Diffuser
- Ambient Operating Temperature -40° C (-40° F) to 40° C (105° F)
- Constant Current at 700 Milliamps
- UL Class 2 Driver - Power Factor >.90
- Estimated 50,000 Hours Life (L70)
- Thermal Protected LED Array
- Mounts Directly to 4" Junction Box (By Others)
- Mounting Hardware Included
- Wet Location



ORDERING INFORMATION

Example : **(PNK - L10.0 - 120 - 277V - JW - BK - 40K)**

PNK					
PRODUCT	SOURCE/WATTAGE	VOLTAGE	DIFFUSER	FINISH	OPTIONS
Niblick Poly	L10.0 - (4) LED Array 50,000 Hours(L70) Please See "Options" Column For Specifications	120 - 277V (50 / 60Hz) Please See "Options" Column For Driver Specifications	JW - White Jar Polycarbonate Lens GW - White 6" Polycarbonate Globe	BK - Black WH - White	10W LED ARRAY 40K - 4000K Color Temp. - 74 CRI Typ. - Constant Current at 700 Milliamps By Driver - 11.3W Input = 912 Lumens - Estimated 80 Lumens Per Watt

NOTES

We reserve the right to revise the design or components of any product due to parts availability or change in UL standards, without assuming any obligation or liability to modify any products previously manufactured, and without notice.

