

LE6™

Six-Inch Adjustable LED Downlight

Product Description

The LE6™ adjustable LED downlight delivers 500 lumens of exceptional 90+ CRI light while achieving over 41 lumens per watt. This breakthrough performance is achieved by combining the high efficacy and high-quality light of Cree TrueWhite® Technology. The LE6 is available in warm or neutral color temperatures and can be adjusted from 10 to 30 degrees for smooth wall washing. It easily installs into most standard six-inch recessed IC or non-IC housings, making the LE6 perfect for use in commercial new construction or retrofit applications.

Performance Summary

Utilizes Cree TrueWhite® Technology

Active Color Management

Delivered Light Output: 500 lumens (at 30 degree tilt)

Input Power: 12 watts

CRI: 90

CCT: 2700K, 3500K

Warranty: 10 years*

Lifetime: Designed to last 50,000 hours

Dimming: Dimmable to 20%*

Ordering Information

Example: LE6

Product
LE6 2700K, Edison Base
LE6-GU24 2700K, GU24 Base
LE6C 3500K, Edison Base
LE6C-GU24 3500K, GU24 Base

Housings & Accessories

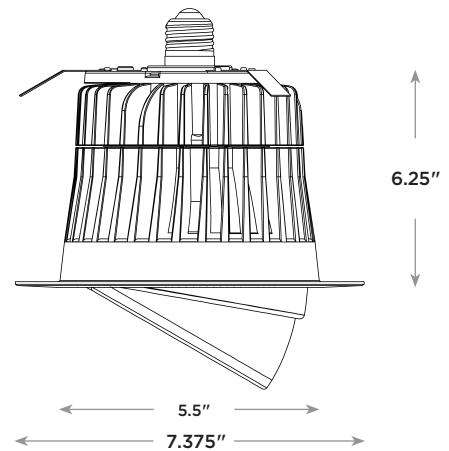
Reference Housing & Accessory documents for more details.

Housings (Edison or GU24)	
H6 Architectural	SC6 Cylindrical Surface Mount
RC6 New Construction	SC6-CM Cylindrical Cord Mount
RR6 Retrofit	SC6-WM Cylindrical Wall Mount

* Reference www.cree.com/lighting for recommended dimmers.

† See www.cree.com/lighting for warranty terms.

LE6



Product Specifications

CREE TRUEWHITE® TECHNOLOGY

A revolutionary way to generate high-quality white light, Cree TrueWhite® Technology mixes the light from the highest performing red and unsaturated yellow LEDs. This patented approach delivers an exclusive combination of 90+ CRI, beautiful light characteristics, and lifelong color consistency, all while maintaining high luminous efficacy—a true no compromise solution.

CONSTRUCTION & MATERIALS

- Durable die-cast aluminum housing protects LEDs, driver and power supply. Adjustable flip clips resist heat while providing retention for flush ceiling fit.
- Thermal management system uses integral heat sink to conduct heat away from LEDs and transfer it to the plenum space for optimal performance. LED junction temperatures stay below specified maximum even when installed in attic insulation with ambient temperatures exceeding 60 C.
- Suitable for insulated and non-insulated ceilings.
- Adjustable trim offers vertical lens adjustment from 10 to 30 degrees.

OPTICAL SYSTEM

- Unique combination of reflective and refractive optical components achieves a uniform, comfortable appearance while eliminating pixelation and color fringing. This ensures smooth light patterns are projected with no hot spots and minimal striations.
- Components work together to optimize distribution, balancing the delivery of high illuminance levels on horizontal surfaces with an ideal amount of light on walls and vertical surfaces. This increases the perception of spaciousness.
- Diffusing lens shields direct view of LEDs while adjustable trim enables 10 to 30 degrees vertical lens adjustment to wash a wall with light.

ELECTRICAL SYSTEM

- Integral, high-efficiency driver and power supply.
- **Power Factor** > 0.9 nominal
- **Input Voltage:** 120V, 60Hz
- **Dimming:** Dimmable to 20% with most incandescent dimmers. Reference www.cree.com/lighting for recommended dimmers.

REGULATORY & VOLUNTARY QUALIFICATIONS

- cULus Listed
- Suitable for damp locations.

Application Reference

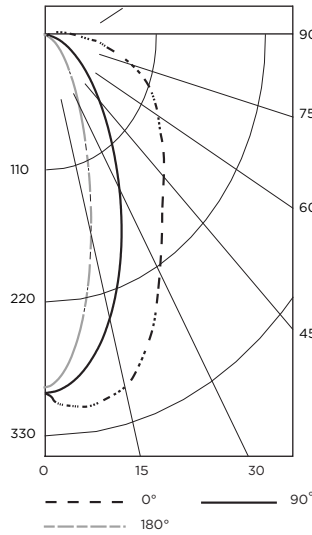
Spacing	Luminaires 3' from wall on 3' centers		Luminaires 3' from wall on 4' centers	
	Between Centers	On Centers	Between Centers	On Centers
	Footcandle Values		Footcandle Values	
Height	Between Centers	On Centers	Between Centers	On Centers
10	13	13	8	10
9	18	18	12	14
8	18	18	13	13
7	15	15	11	11
6	13	13	9	9
5	11	11	8	8
4	9	9	7	7
3	8	8	6	6
2	7	7	5	5
1	6	6	5	5

Average initial illuminance in footcandles, reflectances = 80/50/20, ceiling height = 10', based on minimum of 5 luminaires, placed in a hallway with width = 6', aimed at center points 3' and 4' apart respectively.

©2012 Cree, Inc. and/or one of its subsidiaries. All rights reserved. For informational purposes only. See www.cree.com/patents for patents that cover these products. Cree®, the Cree logo, Cree TrueWhite®, TrueWhite™, and the Cree TrueWhite Technology logo are registered trademarks, and LE6™ is a trademark of Cree, Inc. or one of its subsidiaries.

Photometry

LE6 ITL TEST #: 61449 TILTED TO 30°



Intensity (Candlepower) Summary

Angle	0°	90°	180°
0°	299	299	299
5°	312	293	270
15°	304	250	177
25°	256	181	91
35°	206	120	43
45°	170	82	17
55°	145	54	0
65°	117	30	0
75°	81	14	0
85°	50	3	0
90°	40	0	0
95°	30	0	0
105°	13	0	0

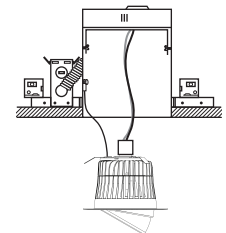
Zonal Lumen Summary

Zone	Lumens	% Fix
0-30	182	36.3%
0-40	262	52.3%
0-60	393	78.8%
0-90	487	97.6%
0-180	500	100%

Reference www.cree.com/lighting for detailed photometric data.

Installation

- Designed to easily install in standard 6" downlight housings from Cree and other manufacturers.*
- Quick install system utilizes a unique retention feature. Simply attach socket to LE6. Move light to ready position and slide into housing.



NOTE: Reference www.cree.com/lighting for detailed installation instructions.

*Reference www.cree.com/lighting for a list of compatible housings.

