

CR6™

Six-Inch LED Downlight

Product Description

The CR6™ LED downlight delivers up to 800 lumens of exceptional 90+ CRI light while achieving up to 67 lumens per watt. This breakthrough performance is achieved by combining the high efficacy and high-quality light of Cree TrueWhite® Technology. The CR6 is available in a warm color temperature and has a variety of trim options. It easily installs into most standard six-inch recessed IC or non-IC housings, making the CR6 perfect for use in both residential and light commercial, new construction or retrofit, applications.

Performance Summary

Utilizes Cree TrueWhite® Technology

Delivered Light Output: 575, **800 lumens**

Input Power: 9.5, 12 watts

CRI: 90

CCT: 2700K

Warranty: 5 years

Lifetime: Designed to last 50,000 hours

Dimming: Dimmable to 5%*

Ordering Information

Example: CR6-800L

| Product |
|--|
| CR6 575 Lumens, 9.5W, Edison Base |
| CR6-GU24 575 Lumens, 9.5W, GU24 Base |
| CR6-800L 800 Lumens, 12W, Edison Base |
| CR6-800L-GU24 800 Lumens, 12W, GU24 Base |

Housings & Accessories

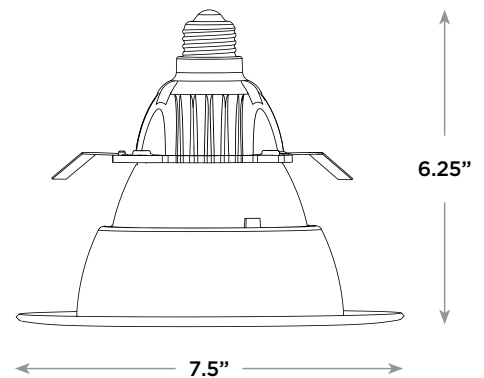
Reference Housing & Accessory documents for more details.

| Trims & Reflectors |
|---|
| CT6A Diffuse anodized finish reflector |
| CT6AW Wheat diffuse anodized finish reflector |
| CT6AB Black diffuse anodized finish reflector |
| CT6BB Flat black finish trim and reflector |

| Housings (Edison or GU24) | |
|-----------------------------------|---|
| H6 Architectural | SC6 Cylindrical Surface Mount |
| RC6 New Construction | SC6-CM Cylindrical Cord Mount |
| RR6 Retrofit | SC6-WM Cylindrical Wall Mount |

* Reference www.cree.com/lighting for recommended dimmers.

CR6



Product Specifications

CREE TRUEWHITE® TECHNOLOGY

A revolutionary way to generate high-quality white light, Cree TrueWhite® Technology mixes the light from the highest performing red and unsaturated yellow LEDs. This patented approach delivers an exclusive combination of 90+ CRI, beautiful light characteristics, and lifelong color consistency, all while maintaining high luminous efficacy—a true no compromise solution.

CONSTRUCTION & MATERIALS

- Durable upper housing protects LEDs, driver and power supply. Adjustable flip clips resist heat while providing retention for flush ceiling fit.
- Thermal management system uses both upper housing and lower reflector to conduct heat away from LEDs and transfer it to the plenum space for optimal performance. LED junction temperatures stay below specified maximum even when installed in insulated ceilings.
- Suitable for insulated and non-insulated ceilings.
- One-piece aluminum lower reflector redirects light while also conducting heat away from LEDs. It creates a comfortable visual transition from the lens to the ceiling plane and easily accommodates CT6 snap-in trims.

OPTICAL SYSTEM

- Unique combination of reflective and refractive optical components achieves a uniform, comfortable appearance while eliminating pixelation and color fringing. This ensures smooth light patterns are projected with no hot spots and minimal striations.
- Components work together to optimize distribution, balancing the delivery of high illuminance levels on horizontal surfaces with an ideal amount of light on walls and vertical surfaces. This increases the perception of spaciousness.
- Diffusing lens shields direct view of LEDs while lower reflector balances brightness of lens with the ceiling to create a low-glare high angle appearance.

ELECTRICAL SYSTEM

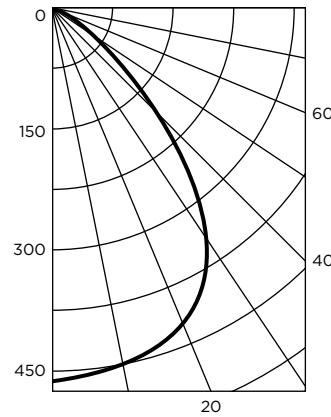
- Integral, high-efficiency driver and power supply.
- **Power Factor** > 0.9 (> 0.8 with CR6-575L option).
- **Input Voltage:** 120V, 60Hz
- **Dimming:** Dimmable to 5% with most incandescent dimmers. Reference www.cree.com/lighting for recommended dimmers.

REGULATORY & VOLUNTARY QUALIFICATIONS

- ENERGY STAR® qualified.
- cULus Listed
- Exceeds California Title-24 high efficacy luminaire requirements.
- Suitable for wet locations.

Photometry

CR6 BASED ON ONSPEX REPORT #: 30014047-3
 CR6: MULTIPLY BY 0.72



Intensity (Candlepower) Summary

| Angle | Mean CP |
|-------|---------|
| 0° | 456 |
| 5° | 453 |
| 15° | 432 |
| 25° | 386 |
| 35° | 293 |
| 45° | 174 |
| 55° | 85 |
| 65° | 42 |
| 75° | 25 |
| 85° | 6 |
| 90° | 0 |

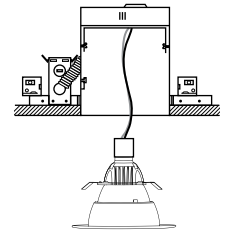
Zonal Lumen Summary

| Zone | Lumens | % Lamp | % Fix |
|------|--------|--------|--------|
| 0-30 | 336 | 42.10% | 42.10% |
| 0-40 | 516 | 64.60% | 64.60% |
| 0-60 | 724 | 90.60% | 90.60% |
| 0-90 | 800 | 100% | 100% |

Reference www.cree.com/lighting for detailed photometric data.

Installation

- Designed to easily install in standard 6" downlight housings from Cree and other manufacturers.*
- Quick install system utilizes a unique retention feature. Simply attach socket to CR6. Move light to ready position and slide into housing.



NOTE: Reference www.cree.com/lighting for detailed installation instructions.

*Reference www.cree.com/lighting for a list of compatible housings.

Application Reference

| Open Space | | | | | |
|------------|--------|---------|-----|-------|------------|
| Spacing | Lumens | Wattage | LPW | w/ft² | Average FC |
| 4 x 4 | 575 | 9.5 | 61 | 0.60 | 34 |
| 6 x 6 | | | | 0.28 | 16 |
| 8 x 8 | | | | 0.15 | 9 |
| 10 x 10 | | | | 0.10 | 6 |
| 4 x 4 | 800 | 12 | 67 | 0.76 | 47 |
| 6 x 6 | | | | 0.35 | 22 |
| 8 x 8 | | | | 0.19 | 13 |
| 10 x 10 | | | | 0.13 | 8 |

10' Ceiling, 80/50/20 Reflectances, 2.5 workplane.
 LLF: 1.0 Initial. Open Space: 50' x 40' x 10'

| Corridor | | | | | |
|---------------|--------|---------|-----|-------|------------|
| Spacing | Lumens | Wattage | LPW | w/ft² | Average FC |
| 4' on Center | 575 | 9.5 | 61 | 0.40 | 12 |
| 6' on Center | | | | 0.27 | 8 |
| 8' on Center | | | | 0.20 | 6 |
| 10' on Center | | | | 0.17 | 5 |
| 4' on Center | 800 | 12 | 67 | 0.51 | 17 |
| 6' on Center | | | | 0.34 | 11 |
| 8' on Center | | | | 0.25 | 8 |
| 10' on Center | | | | 0.21 | 7 |

10' Ceiling, 80/50/20 Reflectances, Light levels on the ground.
 LLF: 1.0 Initial. Corridor: 6' Wide x 100' Long

