

FEATURES

- T8 optimized fluorescent lensed troffer
- Shallow design frees up plenum space
- Hemmed fixture edges reduce risk of injury during fixture handling and installation
- Integral T-Bar clips quickly to secure fixture to the grid
- Metal to metal light leak protection on all four sides of shielding frame
- Snap-in ballast cover requires no tools for wireway access
- T-hinging for easy insertion and removal of shielding frame from either side of the housing
- Flush steel shielding frame is equipped with simple-to-use corner tabbing for diffuser replacement
- Housing embossments provide extra strength and rigidity

PROJECT INFORMATION

POPEYE'S

Project Name
JT824332GFSA123EU

Catalog No.

A

Type

Date

HOUSING

Heavy gauge steel. Die formed for extra rigidity. Designed for installation in standard inverted tee grid ceilings.

BALLASTS

Energy-efficient, T8 electronic, thermally protected, automatic resetting, Class P, high power factor, sound rated A, unless otherwise specified. Generic ballasts may be supplied by a wide variety of reputable vendors. For a specific vendor and/or ballast, specify as option. CEE NEMA Premium compliant.

ELECTRICAL

Standard class "P," thermally protected, autoresetting HPF ballast, sound rated A. CEE NEMA Premium compliant. All ballast leads extend a minimum of 6" through access location. NEC/CEC-compliant ballast disconnect is standard.

FINISH

All metal parts are processed with a 5-phase phosphate bonding treatment. Grid units are pre-painted with high gloss baked white enamel, 86% reflective. Polyester powder coat paint after fabrication (PAF) option available, reflectance 90%.

SHIELDING

100% virgin acrylic prismatic 12, extruded and roll-embossed, diagonally oriented female prisms standard. Other shielding may be specified. If desired shielding media is not shown, contact your local Columbia Lighting representative.

CERTIFICATION

All luminaires are built to UL 1598 standards and bear appropriate UL and cUL or CSA labels. Damp location labeling is standard. Emergency-equipped fixtures labeled UL 924.

CEILING COMPATIBILITY

Available to fit most standard ceiling types as shown at left. For information on compatibility with specific ceilings, contact your local Columbia Lighting representative.

ORDERING INFORMATION

EXAMPLE **JT824-232G-FSA12-EU-F0735- C388-GLR**

MODEL	NO. OF LAMPS	CEILING TYPE	SHIELDING	VOLTAGE	OPTIONS
JT8 Dedicated T8 Lensed Troffer	2 Two 3 Three	G Inverted T-Bar	A12 Pattern 12 Acrylic 0.100" Nominal (Std.) A12.125 Pattern 12 Acrylic 0.125" Nominal A19 Pattern 19 Acrylic 0.156" Male Prism PC1 Silver Parabolic Louver 1/2" x 1/2" x 1/2"	U 120V-277V 347 347V	F0730 T8, 70CRI, 3000K Lamps, Furn/Inst F0735 T8, 75CRI, 3500K Lamps, Furn/Inst F0741 T8, 70CRI, 4100K Lamps, Furn/Inst GLR Fast Blow Fuse EL Emergency Battery Pack PAF Paint After Fabrication MS9 Master/Satellite w/9' Harness MS11 Master/Satellite w/11' Harness C388 3/8" Flex with 3 No. 18 Wires C384 3/8" Flex with 3 No. 14 Wires C488 3/8" Flex with 4 No. 18 Wires C424 1/2" Flex with 4 No. 14 Wires SRA Specular Reflector
	SIZE 24 2' x 4'	DOOR STYLE FS Flush Steel FA Flush Aluminum	For more shielding, see Options and Accessories	BALLAST E Electronic T8, Instant Start 3E 3-Lamp Electronic T8, Instant Start 24E (1) 2-Lamp & (1) 4-Lamp Electronic T8, Instant Start (For use with MS9) EP Electronic T8, Programmed Start 3EP 3-Lamp Electronic T8, Programmed Start ELW 2-Lamp Electronic T8, 0.77 Ballast Factor, Low Wattage, Instant Start 3ELW 3-Lamp Electronic T8, 0.77 Ballast Factor, Low Wattage, Instant Start	For a complete set of options, see Options and Accessories
	LAMP TYPE 32 4', T8; 32, 30, 28 or 25 Watt	For additional door styles contact your local Columbia Lighting representative.		For a specific ballast vendor, show as option	

PHOTOMETRIC DATA

LUMINAIRE DATA

Luminaire	JT824-332G-FSA12 J Lensed Troffer 2' x 4' 3-Lamp with A-12 Pattern Acrylic Prismatic Lens
Ballast	B3321120RH-A
Ballast Factor	0.88
Lamp	F32T8
Lumens per Lamp	2900
Watts	84
Shielding Angle	N/A
Spacing Criterion	0° = 1.23 90° = 1.36

AVG. LUMINANCE (Candela/Sq. M.)

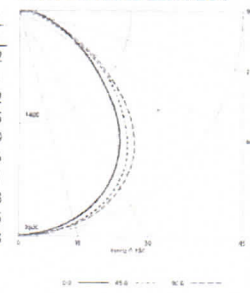
	0.0	22.5	45.0	67.5	90.0
Average Luminance Angle	0	4289	4289	4289	4289
	30	4196	4277	4409	4495
	40	3635	4032	4230	4421
	45	3655	3764	3994	4218
	50	3299	3469	3761	3940
	55	2993	3132	3443	3569
	60	2706	2694	2903	3078
	65	2420	2238	2231	2547
	70	2178	1908	1643	2223
	75	2101	1792	1501	2130
	80	2255	1822	1831	2229
	85	2344	2009	2079	2555

COEFFICIENTS OF UTILIZATION (%)

RCR	80					70					50					0
	RW	70	50	30	10	70	50	30	10	50	30	10	50	30	10	0
1	93	89	85	82	90	87	84	81	83	81	83	81	79	72		
2	85	78	73	68	83	77	72	67	74	70	66	61				
3	78	69	63	58	76	68	62	57	65	60	56	52				
4	71	62	55	49	70	61	54	49	59	53	48	45				
5	66	55	48	43	64	54	48	42	53	47	42	39				
6	61	50	43	38	59	49	42	37	48	42	37	35				
7	57	45	38	33	55	45	38	33	44	37	33	31				
8	53	42	35	30	51	41	34	30	40	34	29	28				
9	49	38	31	27	48	38	31	27	37	31	27	25				
10	46	35	29	24	45	35	29	24	34	28	24	23				

Test 13120 Test Date 11/07/2003

INDOOR CANDELA PLOT



ZONAL LUMEN SUMMARY

Zone	Lumens	Lamp	Fixt.
0-30	2232	25.7	30.3
0-40	3678	42.3	49.9
0-60	6216	71.4	84.4
0-90	7364	84.6	100.0
0-180	7364	84.6	100.0

ENERGY DATA

Total Luminaire Efficiency	84.6%
Luminaire Efficacy Rating (LER)	77
IESNA RP-1-2004 Compliance	Non-Compliant
Comparative Yearly Lighting Energy Cost per 1000 Lumens	\$3.12 based on 3000 hrs. and \$0.08 per KWH

LUMINAIRE DATA

Luminaire	JT824-232G-FSA12 J Lensed Troffer 2' x 4' 2-Lamp with A-12 Pattern Acrylic Prismatic Lens
Ballast	B2321120RH-A
Ballast Factor	0.88
Lamp	F32T8
Lumens per Lamp	2900
Watts	60
Shielding Angle	N/A
Spacing Criterion	0° = 1.23 90° = 1.36

AVG. LUMINANCE (Candela/Sq. M.)

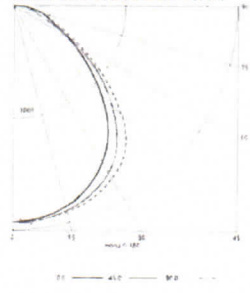
	0.0	22.5	45.0	67.5	90.0
Average Luminance Angle	0	2967	2967	2967	2967
	30	2850	2921	3045	3133
	40	2638	2733	2893	3073
	45	2430	2537	2719	2912
	50	2198	2308	2513	2669
	55	1973	2046	2220	2327
	60	1757	1754	1806	1923
	65	1577	1461	1377	1563
	70	1509	1302	1100	1361
	75	1596	1329	1169	1377
	80	1716	1450	1389	1512
	85	1780	1656	1568	1709

COEFFICIENTS OF UTILIZATION (%)

RCR	80					70					50					0
	RW	70	50	30	10	70	50	30	10	50	30	10	50	30	10	0
1	94	91	87	84	92	89	85	83	85	82	80	74				
2	87	80	74	70	84	78	73	69	75	71	67	62				
3	79	71	64	59	77	69	63	58	67	62	57	54				
4	73	63	56	50	71	62	55	50	60	54	49	46				
5	67	57	49	44	66	56	49	44	54	48	43	40				
6	62	51	44	39	61	50	43	38	49	43	38	36				
7	58	47	39	34	56	46	39	34	45	38	34	32				
8	54	43	36	31	53	42	35	31	41	35	30	28				
9	50	39	32	28	49	39	32	28	38	32	27	26				
10	47	36	30	25	46	36	29	25	35	29	25	23				

Test 13121 Test Date 1/8/03

INDOOR CANDELA PLOT



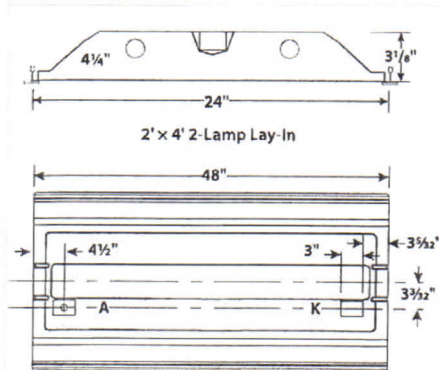
ZONAL LUMEN SUMMARY

Zone	Lumens	Lamp	Fixt.
0-30	1542	26.6	30.8
0-40	2538	43.8	50.7
0-60	4234	73.0	84.6
0-90	5004	86.3	100.0
0-180	5004	86.3	100.0

ENERGY DATA

Total Luminaire Efficiency	86.3%
Luminaire Efficacy Rating (LER)	73
IESNA RP-1-2004 Compliance	Non-Compliant
Comparative Yearly Lighting Energy Cost per 1000 Lumens	\$3.29 based on 3000 hrs. and \$0.08 per KWH

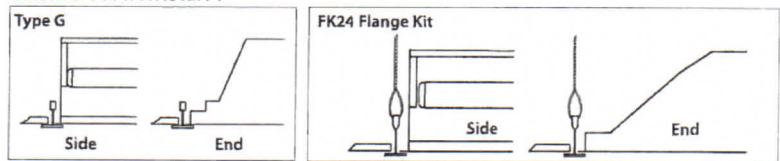
DIMENSIONAL DATA



A: 3/8" Diameter knockout
K: 2" x 3" through hole for access plate.

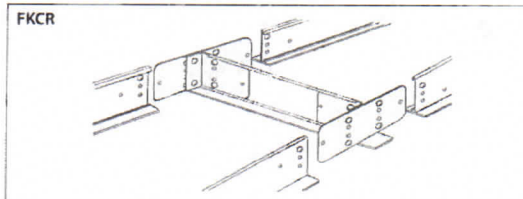
NOTE: All dimensions are in inches; dimensions and specifications are subject to change without notice. Please consult factory or check sample for verification.

CEILING COMPATIBILITY



For lay-in installation in exposed grid ceilings. Maximum tee widths of 1" and maximum tee heights of 2" allowed.

For hard ceiling applications order FK24 flange kit. Flange kit wires directly into concealed ceiling opening for a clean, finished appearance.



Row cut out dimensions using FK24 & FKCR adapters:
Width 24 3/8", Length [48" x (# in row)] + 3/8". Example: (48" x 2) + 3/8" = 96 3/8"
Flange kit rough in dimensions for single unit only: 24 3/8" x 48 3/8"

POPEYE'S TYPE "D1"
SHUTTER UPLIGHT
#MIC100MHEV/RL6009



100 WATT METAL HALIDE
CUSTOM EVERGREEN COLOR
1/2" THREADED KNUCKLE
MULTI-TAP BALLAST



HERMITAGE LIGHTING NATIONAL ACCOUNTS
531 Lafayette Street * Nashville, Tennessee * 37203 615-843-3370 * 800-267-3383 * FAX 615-843-3351
SPECIALISTS IN RESTURANT AND RETAIL LIGHTING DESIGN



Model Number:

Approvals:

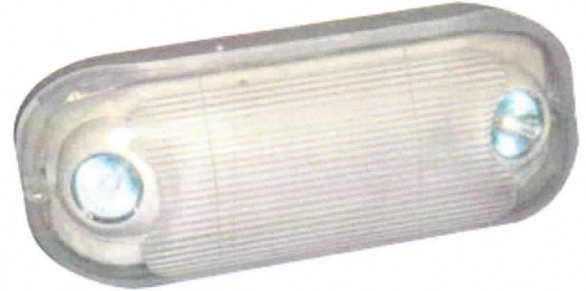
Accessories:

Job:

Type:

FEATURES

- Easy to install, snap together design
- Wet location listed; resistant to corrosive atmospheres, non-hazardous dust environments
- UL94-5VA flame retardant thermoplastic components
- Fully-adjustable, high-intensity 5 watt MR16 halogen lamp
- AC lockout for ease of installation and installer protection
- Low voltage disconnect eliminates deep discharge
- Brown-out, short circuit and voltage surge protection
- UL recognized maintenance-free lead acid battery
- UL listed 90 minute emergency run time, 24 hour recharge time
- Universal Mounting - Ceiling or wall mount
- Standard finishes: Black and white
- 120/277V dual primary, 60Hz input



The LL50H-N4 is ideal for wet locations, resistant to corrosive atmospheres, non-hazardous dust environments. The adjustable halogen lamps are enclosed in a fully gasketed, corrosive resistant polycarbonate enclosure designed to withstand the harshest enviroments.

WARRANTY

Any component that fails due to manufacturer's defect is guaranteed for 1 year with a separate 5 year pro-rated warranty on the battery. The warranty does not cover physical damage, abuse or acts of God. Manufacturer reserves the right to charge for such repairs if deemed necessary.



SPECIFICATIONS ARE SUBJECT
TO CHANGE WITHOUT NOTICE

ORDERING INFORMATION Example: LL50H-N4**Series**

LL50H-N4 = 6V, 5W Halogen Lamps, Wet Location Rated

CONSTRUCTION

Enclosure is constructed of precision molded polycarbonate, resistant to corrosive atmospheres. Fully gasketed clear polycarbonate cover encloses lamps and reflectors, and offers protection against wet, non-hazardous dust, and hose down locations.

ILLUMINATION

Units come standard with two fully adjustable MR-16, 6 volt, 5 watt halogen lamps.

ELECTRONICS

Dual voltage, 120 volt or 277 volt input. Circuit provides automatic brownout, short circuit, and overload protection. A sealed momentary test switch and LED charge indicator are included.

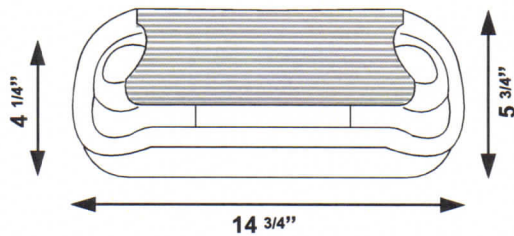
BATTERY

Maintenance-free, sealed lead-calcium battery provides an estimated service life of 10 years with an operating temperature range of 19°C to 30°C (65°F to 85°F).

CONFORMANCE TO CODES & STANDARDS

The LL50H-N4 Series is U.L. listed and meets or exceeds the following: U.L. 924, N.E.C. requirements and N.F.P.A. 101.

DIMENSIONS



EMERGENCY OPERATION

120/277 VAC dual voltage input with surge protected, solid-state charging circuitry provides for a reliable charging system. The charging system is furnished with low voltage disconnect, AC lockout, brownout protection, AC indicator lamp and test switch. The low voltage disconnect (LVD) feature will disconnect the battery prior to an unacceptable deep discharge, but not before the required 90 minute emergency operation. The AC lockout feature prevents battery drain prior to the initial energizing of utility power, and allows the installer to complete all wiring and electrical connections without energizing the emergency circuit. The brownout protection circuitry will automatically switch the unit into the emergency mode if the utility voltage sags below 20% of nominal. Battery charging circuitry is entirely solid-state, and utilizes a constant current charger for sealed lead-calcium battery units. Battery recharge time after full discharge is less than the required UL 924 standard. Line sensitive electronics cause an instantaneous transfer to battery power if utility power is lost, or a brownout condition is detected. When line voltage is present and stabilized, the transfer circuitry switches back to normal operation and begins recharging the battery. The transfer circuitry can be tested via a momentary test switch located on the housing.

EMERGENCY LIGHTING EQUIPMENT

POLYCARBONATE COMBINATION LED EMERGENCY EXIT SIGN With Remote Capabilities

ARCHITECTURAL SPECIFICATIONS

UNIT

- Damp location rated
- Easy to install, snap together design
- Injection-molded, UL94 V-0 flame rated, high impact, thermoplastic housing
- Molded wireways for internal wire routing and connections
- Completely self-contained
- 6 volt, 5.4 watt high intensity tungsten (H.I.T.) lamps
- 11 watts (EL-90/95), 19 watts (EL-90/95-R)
- Available in white or black finishes
- Universal J-Box mounting pattern
- 120/277 VAC dual input
- Short circuit, voltage surge, brown-out and low battery voltage disconnect protected
- LED charge rate/power on indicator light
- Push test switch
- Meets ADA fixture requirements
- Long life maintenance-free sealed lead acid battery
- 90 minute ETL listed emergency run time

EXIT SIGN

- Factory assembled unit/LED exit sign
- Constant uniform illumination
- 6" letter with a 3/4" stroke
- Long-Life, high intensity, red or green LED's
- Color matched diffuser for optimal light output
- Snap-in chevron type directional arrows
- Universal mount, canopy included



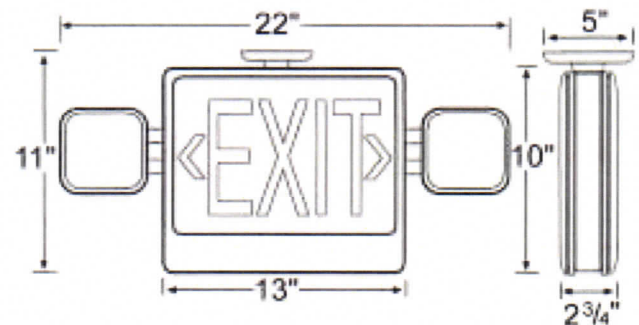
Shown: VEX/U/BP/WH/EL90R



Shown: VEX/U/BP/WH/EL95

Exclusive low-profile design allows for mounting above doors and restricted spaces. The EL-90 offers full 180° lamp rotation. The EL-95 lamps are fully adjustable, but do not rotate.

EL90 & EL95 DIMENSIONS



SPECIFICATIONS ARE SUBJECT
TO CHANGE WITHOUT NOTICE

CONFORMANCE TO CODES & STANDARDS

ETL listed. Meets UL 924, NFPA 101 (Life Safety Code) NEC, OSHA and Energy Star illumination standards. Meets state of Minnesota energy-efficient legislation requiring less than 20 watts of power consumption.



CONSTRUCTION

Unit & Lamp Housing: Precision molded housings constructed of flame retardant, corrosion proof, UV stable thermoplastic. N.F.P.A. approved field selectable chevrons. Units resist denting, peeling, scratching and corrosion.

Finish: Textured white or black.

EXIT ILLUMINATION

Fully illuminated 6" letters with 3/4" stroke is achieved with high output, long lasting red or green Light Emitting Diodes (LED's). An exclusive color-matched diffuser eliminates hot spots and striations, providing optimal light output. LED's and electronics have an expected service life of 25 years.

INSTALLATION

Simple snap together universal design allows for faceplate and backplate to be fully interchangeable. Mounting canopy is supplied with all signs and snaps into enclosure with two positive locking tabs.

ELECTRONICS

120/277 VAC dual voltage input with surge protected, solid state circuitry.

EMERGENCY OPERATION

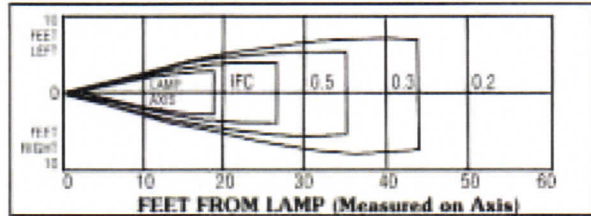
Charging circuit is solid state type with constant current charge and transfer design. Circuit is brown-out protected and provides a minimum of 90 minutes of emergency run time and recharge time of 12 hours. Push to test switch and an LED AC indicator provides simple means for manual test.

REMOTE CAPACITY OPTION

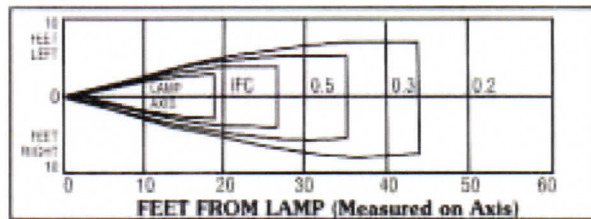
Both the EL-90 and the EL-95 are available with an additional 8 watts of remote capacity. This option utilizes maintenance-free, sealed lead acid batteries with an estimated service life of 10 years with an operating temperature range of 65° F (19° C) to 85° F (30° C).

LAMP DATA (PHOTOMETRICS)

6-volt, 5.4-watt high intensity tungsten Vertical Distribution



Horizontal Distribution



WARRANTY

Any component that fails due to manufacturer's defect is guaranteed for 1 year from time of shipment. Battery is prorated for 5 years. Warranty does not apply to damages caused by improper installation, abuse, fire or acts of God.

ORDERING INFORMATION

G	VEX	U	BP	WH	EL-90	R
LED COLORS	MODEL	STYLE	ENCLOSURE TYPE	ENCLOSURE COLOR	TYPE	OPTIONS
Blank = Red G = Green	VEX	U = Universal	BP = Plastic	WH = White BL = Black	EL-90 = Standard 11 Watt Unit EL-95 = Standard 11 Watt Unit Fixed Heads	G1 = Self Diagnostics G2 = Self Test / Self Diagnostics R = Remote Capacity (8 Watts) DL = LED Down Light FL = Flasher BZ = Buzzer FB = Flasher & Buzzer A1 = Fire Alarm Interface w/Flasher A2 = Fire Alarm Interface w/Flasher & Buzzer DR = Damp Location Rating



YOUR LOCAL REPRESENTATIVE IS:

EXITRONIX™

EMERGENCY LIGHTING EQUIPMENT

2019 West Lone Cactus Drive
Phoenix, Arizona 85027

(623) 580-3948 • (800) 533-3948

Fax: (623) 580-8948

Email: ledexit@exitronix.com

www.exitronix.com



Product Specifications

Job Name:	Job Type:
Quantity:	Comments:



ITEM# EDJ31111

Inspired by the small disks of glass that are used as ornaments in stained glass windows, this single light pendant presents a simple and clean cylindrical glass canopy accented by chrome hardware and featuring adjustable height for maximum adaptability. Consider it the perfect lighting solution for bar, bathroom, kitchen island or pool table.

Finish
Polished Chrome

Glass/Shade
Red

Product Category
Mini Pendant

Lamping
Number of Bulb(s)

Measurements

Shipping

1

Rated Life ±2,500 Hours
Rated Lumens ±672
Color Temp ±2,700 K
Bulb(s) Included No
Light Up/Down N/A
Beam Spread N/A
CRI N/A
Photo Cell Included N/A
Ballast N/A
Dimmable Standard Dimmer

Width 3.50"
Height 12.00"
Length N/A
Extension N/A
Back Plate Width N/A
Back Plate Height N/A
HCO N/A
Min Overall Height N/A
Max Overall Height 120.00"
Hanging Weight 3.96 lb(s)
Height Adjustable Yes
Slope N/A

Carton Weight 5.94 lb(s)
Carton Width 5.91"
Carton Height 6.50"
Carton Length 18.50"
Carton Cubic Feet N/A
Master Pack 1
Master Pack Weight N/A
Master Pack Width N/A
Master Pack Height N/A
Master Pack Length N/A
Master Cubic Feet N/A
UPS Shippable Yes

**USES A 15 WATT EDISON BASE
COMPACT FLUORESCENT LAMP**

**BOTTOM OF FIXTURE SHOULD
BE NO LOWER THAN 7' AFF.**





Project: **POPEYE'S**
Fixture Type: **LL2 16" ACRYLIC**

Crab Pot Height 10"
Diameter 16"
Overall Height 46"

BOTTOM OF FIXTURE SHOULD
BE NO LOWER THAN 7' 0" AFF

DO NOT
OVERTIGHTEN
DECORATIVE NUT
THAT HOLDS THE
ACRYLIC SHADE.
THIS WILL CAUSE
THE FRAGILE SHADE
TO BREAK



PRODUCT CODES

Catalog Number	Input Voltage	Lamp Rating (max.)
PF3463157216A	120	3 - 15 WATT





Hermitage Lighting National Accounts



Project: **POPEYE'S**
 Fixture Type: **Flavoriety**
 Location:
 Contact/Phone:

Fixtures will use 15 watt compact fluorescent lamps.



7' 6"
AFF



7' 0"
AFF



7' 6"
AFF



7' 0"
AFF



7' 6"
AFF



7' 0"
AFF



7' 6"
AFF

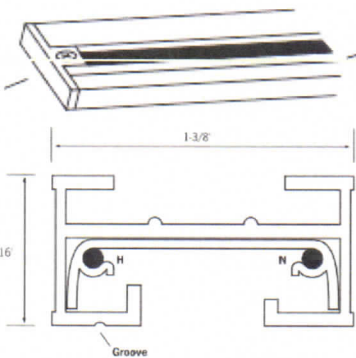
Note:

Pendants are installed on (2) tracks spaced 9" apart.

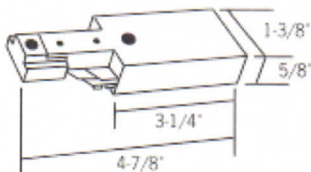
Mount 7'6" a.f.f. fixtures on Front Track.

Mount 7'0" a.f.f. fixture on Rear Track.

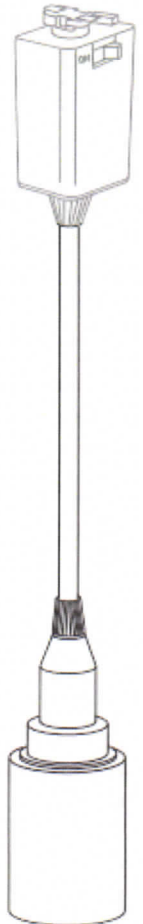
Pendants to be spaced 10 o.c. typical with center pendant aligned on center with the centerline of beverage counter or beverage unit (depending on existing conditions).



8' Track Detail / End and bottom view



End Feed for track



Cord/Pendant Adapter assembly

PRODUCT CODES

Catalog Number	Input Voltage	Lamp Rating (max.)
Flavoriety C	120	15 Watts Each





Project: Popeye's

Fixture Type: LL4 & LL5

Location:

Contact/Phone:

6" VERTICAL COMPACT FLUORESCENT HOUSING

26/32/42W
COMPACT FLUORESCENT LAMP

PL642EU

PRODUCT DESCRIPTION

PL housing designed for use in non-insulated areas • If installed where insulation is present, the insulation must be pulled back 3" from all sides of the PL housing • Easy access ballast.

PRODUCT SPECIFICATIONS

Lamp One 26/32/42W triple tube (4-pin) CFL lamp.

Socket Supplied with spring to accommodate certain trim installations, or can be attached to top of housing for certain trims.

Ballast 120V thru 277V HPF Rapid Start Electronic with end-of-life lamp protection • UL listed/CSA certified • Mounted between j-box and housing for ease of maintenance.

Trims Trim selection shown on reverse.

Labels UL listed for through-branch wiring and damp locations • Union made • UL and C-UL Listed • Trims 220, 239, 241, 242, 243, 271, 6101 and 9900 are wet location approved for covered ceiling applications.

Testing All reports are based on published industry procedures; field performance may differ from laboratory performance.

Product specifications subject to change without notice.

INSTALLATION

Real Nail 3 Bar Hangers Telescoping, patent-pending Real Nail 3 system permits quick placement of housing anywhere within 24" O.C. joists or suspended ceilings • Integral T-bar notch and clip secures housing in suspended ceiling grid – no accessory clips required • 24" expansion stop allows quick placement of fixture in standard grid spacing • Bars scored in two locations for fast, clean breaking, allowing housing installation in tight applications • Bars captive to mounting frame • Edge-mounted for extra strength • Captive bugle-headed ring shank nail for quick one-step installation and easy removal with claw hammer for fixture relocation • Quick-Loc slot and oversized locking set screw lock fixture in position • Bar hanger foot contoured to align to bottom of construction joist • Alternate mounting holes included.

Junction Box Pre-wired junction box provided with (5) 1/2" and (1) 3/4" knockouts, (4) Non-metallic sheathed cable connectors and ground wire, UL and C-UL Listed for through-branch wiring, maximum (8) No. 12 AWG 90° C branch circuit conductors (4 in, 4 out) • Junction box provided with removable access plate • Knockouts equipped with pryout slots.

Mounting Frame 22-gauge die-formed galvanized steel mounting frame • Rough-in section (junction box, mounting frame, housing ballast and bar hangers) fully assembled for ease of installation.

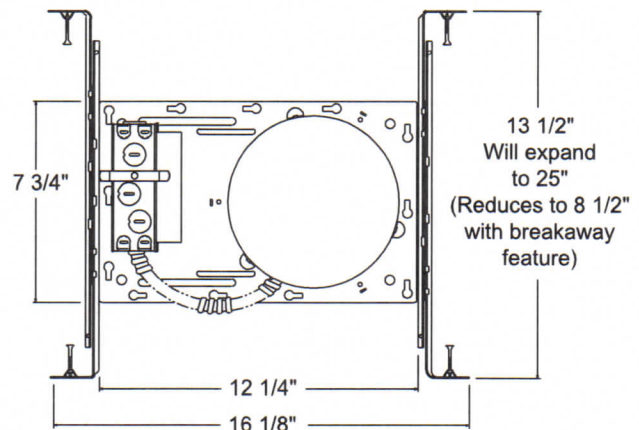
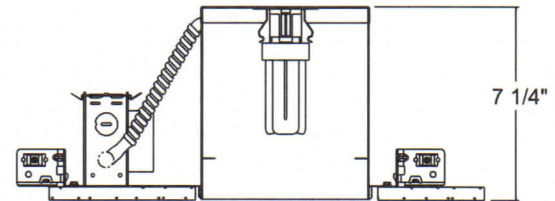
Housing 22-gauge white painted steel • Housing is vertically adjustable to accommodate up to a 2" ceiling thickness.

PRODUCT CODES

Catalog Number	Input Voltage	Lamp Rating (max.)
PL642EU	120V - 277V	26/32/42W Triple Tube (4-pin) CFL

REV-10/08

DIMENSIONS

















6 7/8" CEILING CUTOUT

6" VERTICAL COMPACT FLUORESCENT HOUSING

26/32/42W
COMPACT FLUORESCENT LAMP

PL642EU

TRIMS/LAMPS

	Cat. No.	Description	Lamp Rating
	220-WH ◆ 220-PW ◆	Albalite lens with Reflector Shower/Closet Light	26W Triple Tube (4-pin) CFL
	241-WH ◆ 241-PW ◆	Drop Opal with Reflector Shower/Closet Light	26W Triple Tube (4-pin) CFL
	242-WH ◆ 242-SC ◆ 242-ABZ ◆	Shower Trim, Frosted Lens with Clear Center Shower Trim, Frosted Lens with Clear Center Shower Trim, Frosted Lens with Clear Center	42W Triple Tube (4-pin) CFL
	243-WH ◆	Decorative Swirl Etched Opal Glass	32W Triple Tube (4-pin) CFL*
	239-WH ◆	Frosted Lens with Reflector	32W Triple Tube (4-pin) CFL
	271-PW ◆	Drop Opal with Reflector	32W Triple Tube (4-pin) CFL
	28W-WH 28B-WH	Conical White Baffle Conical Black Baffle	42W Triple Tube (4-pin) CFL
	29C-WH 29W-WH	Deep Cone - Clear Deep Cone - White	42W Triple Tube (4-pin) CFL
	232C-WH 232G-WH 232W-WH 232HZ-WH 232WHZ-WH	Multiplier - Clear Alzak® Multiplier - Gold Alzak® Multiplier - Gloss White Multiplier - Haze Multiplier - Wheat Haze	42W Triple Tube (4-pin) CFL *
	2320C-WH 2320HZ-WH 2320WHZ-ABZ 2320WHZ-WH	Multiplier in Clear Low Incandescent Alzak® Multiplier in Haze Multiplier in Wheat Haze Multiplier in Wheat Haze	42W Triple Tube (4-pin) CFL
	233C-WH	Multiplier in Clear Alzak® with Black Baffle, White Trim	42W Triple Tube (4-pin) CFL
	261W-WH 261B-WH	Scoop Wall Wash with White Baffle Scoop Wall Wash with Black Baffle	26W Triple Tube (4-pin) CFL
	6101-ABZ ◆ 6101-SC ◆ 6101-WH ◆	Beveled Frame - Frosted Dome Lens with Reflector Beveled Frame - Frosted Dome Lens with Reflector Beveled Frame - Frosted Dome Lens with Reflector	42W Triple Tube (4-pin) CFL
	9900-WH ◆	Fluted Drop Opal Lens	32W Triple Tube (4-pin) CFL

Trim Size: Catalog Numbers 242, 243, 239, 271, 28, 29, 232, 2320, 233, 261, 9900 - 7 $\frac{1}{8}$ " O.D. Catalog Numbers 220, 241 - 8" O.D. Catalog Number 6101 - 7 $\frac{3}{4}$ " O.D.
Trim Finish: ABZ - Classic Aged Bronze, PW - Plastic White (Polycarbonate material shower trim), SC - Satin Chrome, WH - White.
Alzak is a registered trademark of Alcoa Corp.
Note: In Canada when insulation is present, Type IC fixtures must be used.
*Use only Osram Sylvania or G.E. lamps.

◆ UL Listed for use in wet location.

** NOTE: TR6 Trim Ring compatible with 9900 trim.



1300 S. Wolf Road • Des Plaines, IL 60018 • Phone (847) 827-9880 • Fax (847) 827-2925
220 Chrysler Drive • Brampton, Ontario • Canada L6S 6B6 • Phone (905) 792-7335 • Fax (905) 792-0064
Visit us at www.junolightinggroup.com

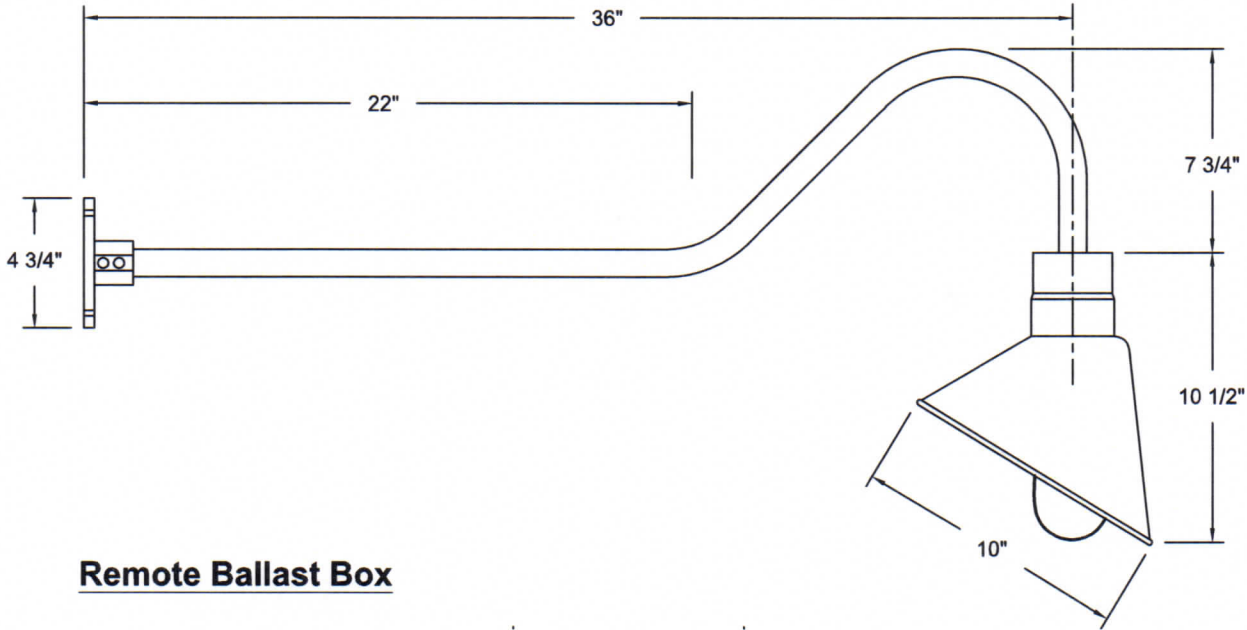
Printed in U.S.A. ©2008 Juno Lighting, LLC.



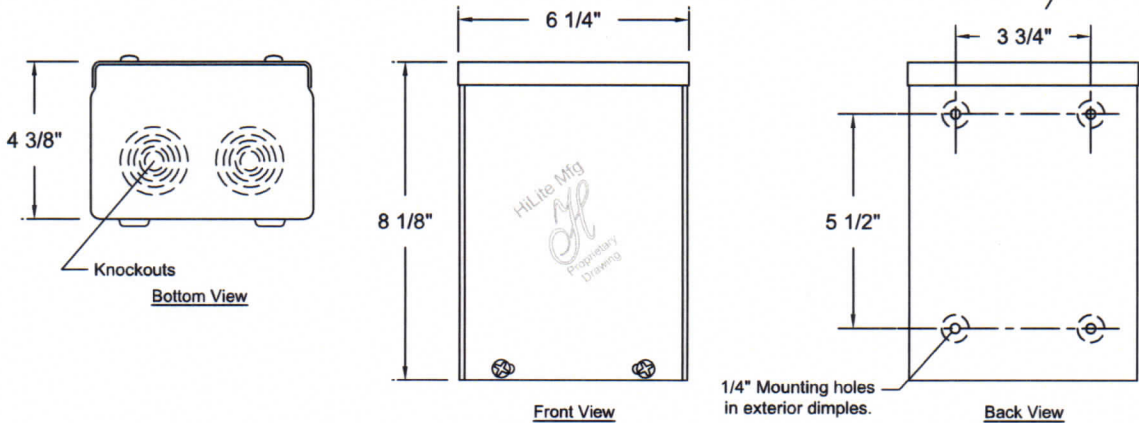
HI-LITE MFG. CO., INC.

13450 Monte Vista Avenue
 Chino, California 91710
 Telephone: (909) 465-1999
 Toll Free: (800) 465-0211
 Fax: (909) 465-0907
 www.hilitemfg.com

Job Name:	Popeyes
Type:	H
Quantity:	



Remote Ballast Box



Note: Do not remove ballast from enclosure. Do not mount ballast more than 10' from socket. If further distance is required, a long range ignitor/ballast is available at an extra cost.

Item Number	Wattage	Voltage
H-811/C/GU/602-100MH	100W/MH	120, 208, 240, 277V

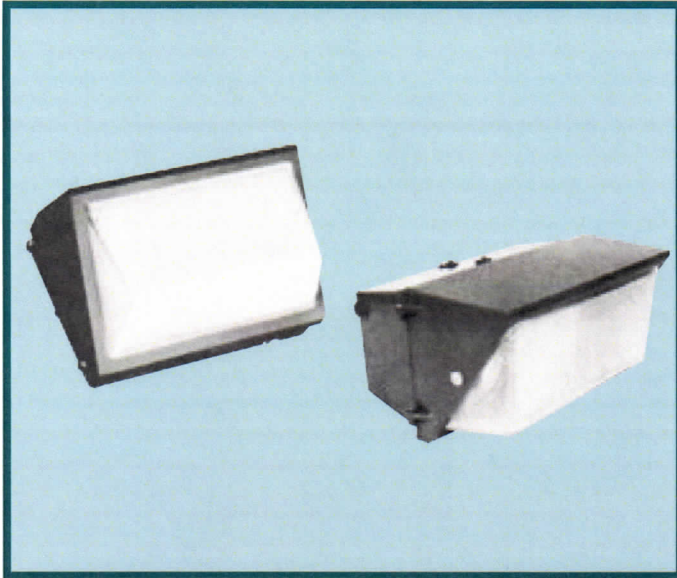
Material
 Aluminum

Finish
 602 (Evergreen)

Lamp/Socket
 1- Medium Base 4-KV
 Metal Halide

Mounting
 Wall Mounted

SWP SERIES WALL PACK



The rugged SWP Series wall pack is the perfect solution for compact, reliable illumination. Its low profile provides unobtrusive, yet functional perimeter lighting around parking garages, retail buildings, restaurants, and service areas. Our variety of standard, in-stock color options allow this industry standard luminaire to become an aesthetic design element that will complement any building decor.



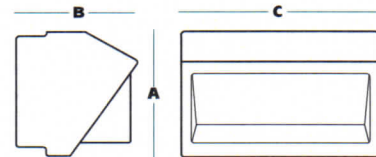
Fixture Specifications

FEATURES

- Rugged die cast aluminum housing finished in weatherproof powder-coat paint
- Hinged door frame for easy lamp replacement
- Heavy-duty prismatic borosilicate glass refractor for non-yellowing maximum performance

- UL listed for wet locations
- In stock; immediate availability in a variety of colors

DIMENSIONS



	A	B	C
SWP (SMALL)	9.0"	7.25"	13.0"
SWP (LARGE)	9.0"	13.0"	17.0"

ORDERING INFORMATION

SAMPLE CATALOG NUMBER

SWP | **XXXXX** | **XX** | **MT** | **XXX**
 Series | Wattage/Source | Finish | Voltage | Accessories

SERIES	
SWP	Wall Pack

WATTAGE/SOURCE ¹	
70MH	70 watt metal halide (small)
100MH	100 watt metal halide (small)
175MH	175 watt metal halide (small)
250MH	250 watt metal halide (large)
400MH	400 watt metal halide (large)
70HPS	70 watt high pressure sodium (small)
100HPS	100 watt high pressure sodium (small)
150HPS	150 watt high pressure sodium (small)
250HPS	250 watt high pressure sodium (large)
400HPS	400 watt high pressure sodium (large)

FINISH ²	
DB	Dark Bronze
BK	Black
WH	White
AD	Almond
PL	Platinum

VOLTAGE	
MT	Multi-Tap 120/208/240/277V

ACCESSORIES	
WG-S	Wire Guard (small) ³
WG-L	Wire Guard (large) ³
PS-S	Polycarbonate Shield (small) ³
PS-L	Polycarbonate Shield (large) ³
PC	Photocontrol (must specify voltage)

¹ Consult factory for other lamp wattages and sources.
² Consult factory for other available finishes.
³ WG accessory cannot be ordered with PS accessory. The fixture will only accommodate one or the other.



A HUBBELL LIGHTING, INC. COMPANY

Performance Designed Lighting Products

www.securitylightingsystems.com

1085 Johnson Drive • Buffalo Grove, IL 60089 • TOLL-FREE: 800-544-4848 • PHONE: 847-279-0627 • FAX: 847-279-0642