

PROJECT INFORMATION

POPEYE'S
Project Name
JT824332GFSA123EU

Catalog No.

A

Type

Date

FEATURES

- T8 optimized fluorescent lensed troffer
- Shallow design frees up plenum space
- Hemmed fixture edges reduce risk of injury during fixture handling and installation
- Integral T-Bar clips quickly to secure fixture to the grid
- Metal to metal light leak protection on all four sides of shielding frame
- Snap-in ballast cover requires no tools for wireway access
- T-hinging for easy insertion and removal of shielding frame from either side of the housing
- Flush steel shielding frame is equipped with simple-to-use corner tabbing for diffuser replacement
- Housing embossments provide extra strength and rigidity

HOUSING

Heavy gauge steel. Die formed for extra rigidity. Designed for installation in standard inverted tee grid ceilings.

BALLASTS

Energy-efficient, T8 electronic, thermally protected, automatic resetting, Class P, high power factor, sound rated A, unless otherwise specified. Generic ballasts may be supplied by a wide variety of reputable vendors. For a specific vendor and/or ballast, specify as option. CEE NEMA Premium compliant.

ELECTRICAL

Standard class "P," thermally protected, autoresetting HPF ballast, sound rated A. CEE NEMA Premium compliant. All ballast leads extend a minimum of 6" through access location. NEC/CEC-compliant ballast disconnect is standard.

FINISH

All metal parts are processed with a 5-phase phosphate bonding treatment. Grid units are pre-painted with high gloss baked white enamel, 86% reflective. Polyester powder coat paint after fabrication (PAF) option available, reflectance 90%.

SHIELDING

100% virgin acrylic prismatic 12, extruded and roll-embossed, diagonally oriented female prisms standard. Other shielding may be specified. If desired shielding media is not shown, contact your local Columbia Lighting representative.

CERTIFICATION

All luminaires are built to UL 1598 standards and bear appropriate UL and cUL or CSA labels. Damp location labeling is standard. Emergency-equipped fixtures labeled UL 924.

CEILING COMPATIBILITY

Available to fit most standard ceiling types as shown at left. For information on compatibility with specific ceilings, contact your local Columbia Lighting representative.

ORDERING INFORMATION

EXAMPLE **JT824-232G-FSA12-EU-F0735- C388-GLR**

MODEL	NO. OF LAMPS	CEILING TYPE	SHIELDING	VOLTAGE	OPTIONS
JT8 Dedicated T8 Lensed Troffer	24 Two 32 Three	G Inverted T-Bar	A12 Pattern 12 Acrylic 0.100" Nominal (Std.) A12.125 Pattern 12 Acrylic 0.125" Nominal A19 Pattern 19 Acrylic 0.156" Male Prism PC1 Silver Parabolic Louver 1/2" x 3/8" x 3/8"	U 120V-277V 347 347V	F0730 T8, 70CRI, 3000K Lamps, Furn/Inst F0735 T8, 75CRI, 3500K Lamps, Furn/Inst F0741 T8, 70CRI, 4100K Lamps, Furn/Inst GLR Fast Blow Fuse EL Emergency Battery Pack PAF Paint After Fabrication MS9 Master/Satellite w/9' Harness MS11 Master/Satellite w/11' Harness C388 3/8" Flex with 3 No. 18 Wires C384 3/8" Flex with 3 No. 14 Wires C488 3/8" Flex with 4 No. 18 Wires C424 1/2" Flex with 4 No. 14 Wires SRA Specular Reflector
	SIZE 24 2' x 4'	DOOR STYLE FS Flush Steel FA Flush Aluminum For additional door styles contact your local Columbia Lighting representative.	For more shielding, see Options and Accessories	BALLAST E Electronic T8, Instant Start 3E 3-Lamp Electronic T8, Instant Start 24E (1) 2-Lamp & (1) 4-Lamp Electronic T8, Instant Start (for use with MS9) EP Electronic T8, Programmed Start 3EP 3-Lamp Electronic T8, Programmed Start ELW 2-Lamp Electronic T8, 0.77 Ballast Factor, Low Wattage, Instant Start 3ELW 3-Lamp Electronic T8, 0.77 Ballast Factor, Low Wattage, Instant Start For a specific ballast vendor, show as option	For a complete set of options, see Options and Accessories
	LAMP TYPE 32 4', T8: 32, 30, 28 or 25 Watt				

PHOTOMETRIC DATA

LUMINAIRE DATA

Luminaire	JT824-332G-FSA12
	J Lensed Troffer 2' x 4' 3-Lamp with A-12 Pattern Acrylic Prismatic Lens
Ballast	B3321120RH-A
Ballast Factor	0.88
Lamp	F32T8
Lumens per Lamp	2900
Watts	84
Shielding Angle	N/A
Spacing Criterion	0° = 1.23 90° = 1.36

AVG. LUMINANCE (Candela/Sq. M.)

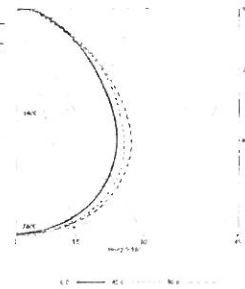
	0.0	22.5	45.0	67.5	90.0
Average Luminance Angle	0	4289	4289	4289	4289
	30	4196	4277	4409	4495
	40	3635	4032	4230	4421
	45	3655	3764	3994	4216
	50	3299	3469	3761	3940
	55	2993	3133	3443	3569
	60	2706	2694	2903	3076
	65	2420	2238	2231	2547
	70	2178	1908	1643	2223
	75	2101	1792	1501	2130
	80	2255	1822	1831	2229
	85	2344	2069	2079	2555

COEFFICIENTS OF UTILIZATION (%)

RCR	80				70				50				0
	RW	70	50	30	10	70	50	30	10	50	30	10	0
1	93	89	85	82	90	87	84	81	83	81	79	72	
2	85	78	73	68	83	77	72	67	74	70	66	61	
3	76	69	63	58	76	68	62	57	65	60	56	52	
4	71	62	55	49	70	61	54	49	59	53	48	45	
5	66	55	48	43	64	54	46	42	53	47	42	39	
6	61	50	43	38	59	49	42	37	46	42	37	35	
7	57	45	38	33	55	45	38	33	44	37	33	31	
8	53	42	35	30	51	41	34	30	40	34	29	28	
9	49	38	31	27	46	36	31	27	37	31	27	25	
10	46	35	29	24	45	35	29	24	34	26	24	23	

Test 13120 Test Date 11/07/2003

INDOOR CANDELA PLOT



ZONAL LUMEN SUMMARY

Zone	Lumens	Lamp	Fixt.
0-30	2232	25.7	30.3
0-40	3678	47.3	49.9
0-60	6216	71.4	84.4
0-90	7364	84.6	100.0
0-180	7364	84.6	100.0

ENERGY DATA

Total Luminaire Efficiency	84.6%
Luminaire Efficacy Rating (LER)	77
IESNA RP-1-2004 Compliance	Non-Compliant
Comparative Yearly Lighting Energy Cost per 1000 Lumens	\$3.12 based on 3000 hrs. and \$0.08 per KWH

LUMINAIRE DATA

Luminaire	JT824-232G-FSA12
	J Lensed Troffer 2' x 4' 2-Lamp with A-12 Pattern Acrylic Prismatic Lens
Ballast	B2321120RH-A
Ballast Factor	0.88
Lamp	F32T8
Lumens per Lamp	2900
Watts	60
Shielding Angle	N/A
Spacing Criterion	0° = 1.23 90° = 1.36

AVG. LUMINANCE (Candela/Sq. M.)

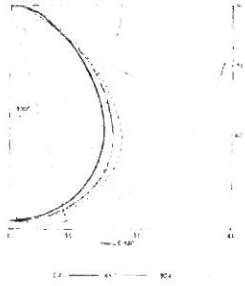
	0.0	22.5	45.0	67.5	90.0
Average Luminance Angle	0	2967	2967	2967	2967
	30	2850	2921	3045	3133
	40	2638	2733	2893	3073
	45	2430	2537	2719	2912
	50	2198	2308	2513	2669
	55	1973	2046	2220	2327
	60	1757	1754	1806	1923
	65	1577	1461	1377	1563
	70	1509	1302	1100	1361
	75	1556	1329	1169	1377
	80	1716	1450	1389	1512
	85	1780	1656	1568	1709

COEFFICIENTS OF UTILIZATION (%)

RCR	80				70				50				0
	RW	70	50	30	10	70	50	30	10	50	30	10	0
1	94	91	87	84	92	89	85	83	85	82	80	74	
2	87	80	74	70	84	78	73	69	75	71	67	62	
3	79	71	64	59	77	69	63	58	67	62	57	54	
4	73	63	56	50	71	62	55	50	60	54	49	46	
5	67	57	49	44	66	56	49	44	54	48	43	40	
6	62	51	44	39	61	50	43	38	49	43	38	36	
7	58	47	39	34	56	46	39	34	45	38	34	32	
8	54	43	36	31	53	42	35	31	41	35	30	28	
9	50	39	32	28	49	39	32	28	36	32	27	26	
10	47	36	30	25	46	36	29	25	35	29	25	23	

Test 13121 Test Date 1/8/03

INDOOR CANDELA PLOT



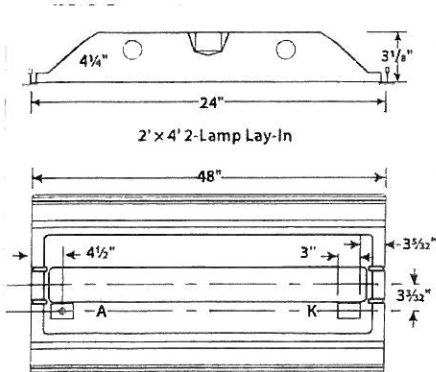
ZONAL LUMEN SUMMARY

Zone	Lumens	Lamp	Fixt.
0-30	1542	26.6	30.8
0-40	2538	43.8	50.7
0-60	4234	73.0	84.6
0-90	5004	86.3	100.0
0-180	5004	86.3	100.0

ENERGY DATA

Total Luminaire Efficiency	86.3%
Luminaire Efficacy Rating (LER)	73
IESNA RP-1-2004 Compliance	Non-Compliant
Comparative Yearly Lighting Energy Cost per 1000 Lumens	\$3.29 based on 3000 hrs. and \$0.08 per KWH

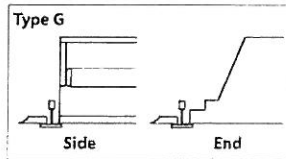
DIMENSIONAL DATA



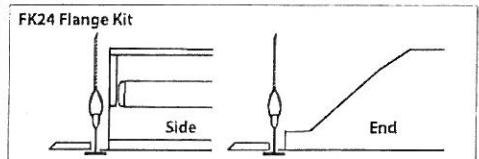
A: 3/8" Diameter knockout
K: 2" x 3" through hole for access plate.

NOTE: All dimensions are in inches; dimensions and specifications are subject to change without notice. Please consult factory or check sample for verification.

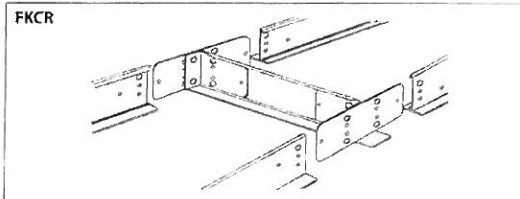
CEILING COMPATIBILITY



For lay-in installation in exposed grid ceilings. Maximum tee widths of 1" and maximum tee heights of 2" allowed.

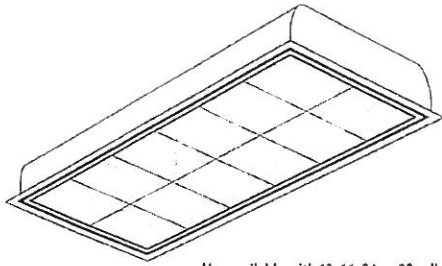


For hard ceiling applications order FK24 flange kit. Flange kit wires directly into concealed ceiling opening for a clean, finished appearance.



For flanged fixtures in row configurations, the FKCR adapter bracket kit is required in addition to the FK24 kit. Order one less FKCR than the total number of fixtures in row. (Example: Row of two, order (2) FK24 & (1) FKCR)

Rough cut out dimensions using FK24 & FKCR adapters:
Width 24 1/2", Length (48" x (# in row)) + 1/2". Example: (48" x 2) + 1/2" = 96 1/2"
Flange kit rough in dimensions for single unit only: 24 3/4" x 48 3/4"



Also available with 12, 16, 24, or 32 cells

FEATURES

- Nominal 3" deep louver
- Black reveal with full air handling capabilities
- Matte anodized low iridescent, semi-specular (MA) louver finish virtually eliminates visibility of fingerprints and construction dust
- Shallow housing height
- Lightweight

PROJECT INFORMATION

POPEYE'S

Project Name

P4D-24-332G-MA36-S-3UE

Catalog No.

B

Type

Date

CONSTRUCTION

Luminaire housing and end caps are die formed code gauge cold rolled steel. Louver is formed from DuraLouver® anodized aluminum and secured in open or closed position by die formed steel hinges. Louver hinges from either side. Mechanical light trap prevents light leaks. Latches are finger-tip actuated, positive feed type, fabricated of spring steel, and completely concealed in the black reveal.

FINISH

Parts are treated with a five stage phosphate bonding process and finished with a high temperature baked white enamel. For post painted housing, suffix catalog number with PAF. Regressed slots are flat black. Anodized aluminum DuraLouver standard finish is matte anodized low iridescent (MA). Also available in low-iridescent semi-specular natural anodized aluminum (LD) or low-iridescent specular aluminum (LS).

AIR HANDLING

All supply/return and air extract functions are available as a specified option. Directional control vanes and/or extract damper features available. Air extract slots are located out of sight in end caps. See air removal data on reverse.

INSTALLATION

An access plate is furnished with each luminaire for fast wiring access from the plenum. No need to open fixture.

Product ships standard with mylar dust cover to eliminate job site contamination.

BALLASTS

Energy efficient, thermally protected, automatic resetting, Class P, high power factor, sound rated A, magnetic or electronic ballasts. CEE NEMA Premium compliant.

ELECTRICAL

Standard class "P", thermally protected, autoresetting HPF ballast, sound rated A. CEE NEMA Premium compliant. All ballast leads extend a minimum of 6" through access location. NEC/CEC-compliant ballast disconnect is standard.

CEILING COMPATIBILITY

Luminaire is available to fit exposed grid ceilings. For hard ceilings order accessory flange kit. Some options may increase fixture depth. For information on compatibility with specific ceilings, or where plenum depth is a problem, contact your Columbia representative. Four integral T-bar clips are standard. Two or four non-integral T-bar clips are available as an option.

CERTIFICATION

All luminaires are built to UL 1598 standards and bear appropriate UL and cUL or CSA labels. Damp location labeling is standard. Emergency-equipped fixtures labeled UL 924.

ORDERING INFORMATION

EXAMPLE P4D24-232G-MA26-S-UE

P4D		24 -		G -							
MODEL	NO. OF LAMPS	CEILING TYPE	NO. CELLS CROSSWISE	NO. CELLS LENGTHWISE	BALLAST	OPTIONS					
P4D DuraLouver Parabolic	2 Two 3 Three 4 Four	G Inverted T-bar <small>For hard ceilings use flange kit, see accessories</small>	2 Two 3 Three 4 Four	6 Six 8 Eight	E Electronic T8, Instant Start 3E 3-Lamp Electronic T8, Instant Start EP Electronic T5 or T8, Programmed Start 3EP 3-Lamp Electronic T5 or T8, Programmed Start <small>For a specific ballast vendor show as option</small>	GLR Fast Blow Fuse GMF Slow Blow Fuse EL Emergency Battery Pack F0735 35K 75 CRI T8 Lamps Installed F0835 35K 80 CRI T8 Lamps Installed F5835 35K 80 CRI T5 Lamps Installed C388 3-Wire Flex C488 4-Wire Flex TB Two Bulk T-bar Clips TB4 Four Bulk T-bar Clips MS9 Master/Satellite w/9' Harness PAF Paint After Fabrication NYC NYC Compliant NYCU NYC Compliant, Union Label					
SIZE	LAMP TYPE	LOUVER FINISH	AIR FUNCTIONS	VOLTAGE							
24 2' x 4'	28 4', T5 28 Watt 32 4', T8: 32, 30, 28 or 25 Watt 54 4', T5HO 54 or 51 Watt	MA Matte Anodized low Irdescent Semi-Specular Aluminum (std.) LS Low Irdescent Specular Aluminum	S Static A Air Handling AV Air Handling w/Supply Vanes C Combination Supply/Extract [†] CV Combination Supply/Vanes/Extract [†] CD Combination Supply Extract Dampers [†] CVD Combination Supply/Vanes Extract Dampers [†] H Heat Extract HD Heat Extract w/Dampers	U 120V-277V 347 347V							
ACCESSORIES											
FK24 2' x 4' Single Flange Kit FKCR Flange Kit Row Adapter Brackets PARABOLICS / P4D24											

[†] Fixtures supplied with integral T-bar clips
[†] Fixtures supplied with two non-integral screw-type T-bar clips

Protected by US Patent 6,582,098.
Specifications subject to change without notice.



PHOTOMETRIC DATA

Test 12454 Test Date 3/14/00

LUMINAIRE DATA

Luminaire	P4D24-232-MA26 P4D, Parabolic 2' X 4' 2 LAMP WITH 2X6 CELL MATTE ALUMINUM LOUVER
Ballast	B232I120RH
Ballast Factor	0.88
Lamp	F32T8
Lumens per Lamp	2900
Watts	56
Shielding Angle	10° = 20 90° = 29
Spacing Criterion	0° = 1.22 90° = 1.56

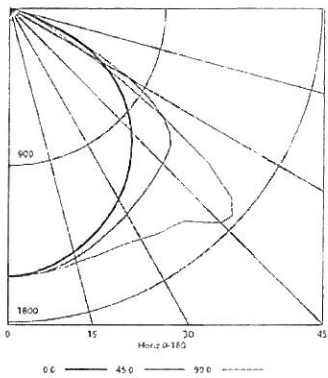
ZONAL LUMEN SUMMARY

Zone	Lumens	Lamp	Fixt.
0-30	1214	20.9	27.7
0-40	2057	35.5	46.9
0-60	3934	67.8	89.8
0-90	4381	75.5	100.0
0-180	4381	75.5	100.0

ENERGY DATA

Total Luminaire Efficiency	75.5%
Luminaire Efficacy Rating (LER)	69
IESNA RP-1-1993 Compliance	Noncompliant
Comparative Yearly Lighting Energy Cost per 1000 Lumens	\$3.48 based on 3000 hrs. and \$0.08 per KWH

INDOOR CANDELA PLOT



AVG. LUMINANCE (Candela/Sq. M.)

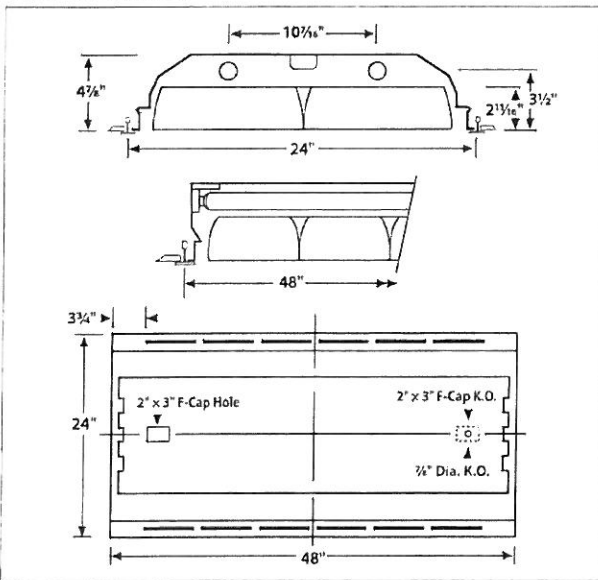
Average Luminance Angle	0.0	22.5	45.0	67.5	90.0
0	2535	2535	2535	2535	2535
30	2402	2446	2587	2785	2901
40	2352	2448	2765	3170	3418
45	2317	2466	2919	3567	4038
50	2264	2479	3116	3886	4299
55	2174	2473	3109	3328	3152
60	1999	2336	2590	1871	1541
65	1647	1866	1518	976	952
70	839	965	695	613	617
75	363	351	325	312	280
80	219	209	171	162	152
85	151	132	114	114	95

COEFFICIENTS OF UTILIZATION (%)

RCR	RC 80					RC 70					RC 50					RC 0				
	RW 70	50	30	10	0	70	50	30	10	0	50	30	10	0	30	10	0			
1	83	80	78	75	81	79	76	74	76	73	72	66								
2	77	71	66	63	75	70	65	62	67	63	60	56								
3	70	63	57	53	68	62	56	52	59	55	51	48								
4	64	56	49	45	62	55	49	44	53	48	44	41								
5	59	50	43	38	57	49	43	38	47	42	38	35								
6	54	45	38	33	53	44	38	33	43	37	33	31								
7	50	40	34	29	49	40	34	29	39	33	29	27								
8	47	37	30	26	46	36	30	26	35	30	26	24								
9	44	34	27	23	42	33	27	22	32	27	23	21								
10	41	31	25	21	40	30	25	21	30	24	21	19								

RCR = Room Cavity Ratio
RC = Effective Ceiling Cavity Reflectance RW = Wall Reflectance

DIMENSIONAL DATA



NOTE: All dimensions are in inches; dimensions and specifications are subject to change without notice. Please consult factory or check sample for verification.

CEILING COMPATIBILITY

Type G

For lay-in installation in exposed grid ceilings. Maximum tee widths of 1" and maximum tee heights of 2" allowed.

FK24 Flange Kit

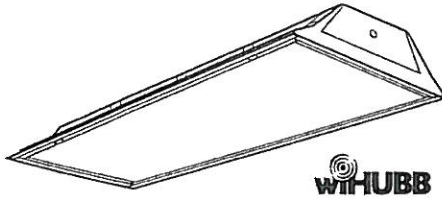
For hard ceiling applications order FK24 flange kit. Flange kit wires directly into concealed ceiling opening for a clean, finished appearance.

FKCR

For flanged fixtures in row configurations, the FKCR adapter bracket kit is required in addition to the FK24 kit. Order one less FKCR than the total number of fixtures in row. (Example: Row of two, order (2) FK24 & (1) FKCR)

Row cut out dimensions using FK24s & FKCR adapters:
Width 24 3/4", Length [48" x (# in row)] + 3/8". Example: (48" x 2) + 3/8" = 96 3/8"

Flange kit rough in dimensions for single unit only: 24 3/4" x 48 3/4"



PROJECT INFORMATION

POPEYE'S
Project Name
ST814232FFSA12EU
Catalog No.

B1

Type

Date

FEATURES

- Optical performance designed for T8 and T5 lamp technology
- Mechanical light seal
- Mitered corners on door present a clean uninterrupted appearance
- Spring loaded latches optional
- Rolled fixture edges reduce risk of injury during fixture handling and installation
- Integral T-Bar clips quickly secure fixture to grid system without the need for time consuming loose parts
- Snap-on ballast covers can be removed with lamps installed
- Corner hinging for easy insertion and removal of door frame from either side
- Optional flush or regressed aluminum shielding frames available with positive action or spring loaded latches
- Housing ends secured by unique corner interlock and screws
- Available with exclusive wiHUBB technology preinstalled
 - Peer to peer, self-healing wireless mesh network
 - Integrated control system for 0-10VDC or step dimming, or On/Off

FLANGED FEATURES

Four adjustable Uni-Lugs for quick easy installation. Optional plaster frames available for individual or row mounting. Fixture end flanges are removable for row mounting. Joiner cables are included.

HOUSING

Heavy gauge steel. Die formed for extra rigidity. Designed for installation in standard inverted tee grid ceilings.

BALLASTS

Energy efficient, thermally protected, automatic resetting, Class P, high power factor, sound rated A, unless otherwise specified. CEE NEMA Premium compliant.

ELECTRICAL

Standard class "P," thermally protected, autoresetting HPF ballast, sound rated A. CEE NEMA Premium compliant. All ballast leads extend a minimum of 6" through access location. NEC/CEC-compliant ballast disconnect is standard.

FINISH

All metal parts are processed with a five phase phosphate bonding treatment. Grid units are pre-painted with high polyester baked white enamel, 86% reflective. Flanged units are painted after fabrication with a polyester powder coat, reflectance of 90%.

SHIELDING

100% acrylic prismatic, extruded and roll-embossed, diagonally oriented female prisms, unless otherwise specified.

CERTIFICATION

All luminaires are built to UL 1598 standards and bear appropriate UL and cUL or CSA labels. Damp location labeling is standard. Emergency-equipped fixtures labeled UL 924.

ORDERING INFORMATION

EXAMPLE ST814-232G-FSA12-EU-F0735-C488

MODEL	NO. OF LAMPS	CEILING TYPE	SHIELDING	VOLTAGE	OPTIONS
ST8 Shallow Specification Troffer	1 One 2 Two 3 Three (T8 only)	G Inverted T-Bar (Std.) F Overlap Flange (4 1/2" overall fixture height)	A12 Pattern 12 Acrylic 0.100" Nominal (Standard) A12.125 Pattern 12 Acrylic 0.125" Nominal A19 Pattern 19 Acrylic 0.15" Male Prism	U 120V-277V 347 347V	F0730 T8, 70CRI, 3000K Lamps, Furn/Inst F0735 T8, 70CRI, 3500K Lamps, Furn/Inst F0741 T8, 70CRI, 4100K Lamps, Furn/Inst F0835 35K 80CRI T8 Lamps Installed
SIZE 14 1' x 4'	LAMP TYPE 28 4', T5: 28 Watt (2-Lamp only) 32 4', T8: 32, 30, 28 or 25 Watt 54 4', T5HO: 54 or 51 Watt (2-Lamp Only)	DOOR STYLE FS Flush Steel FA Flush Aluminum RA Regressed Aluminum PS Premium Steel	PC1 Silver Parabolic Louver 1/2" x 1/2" x 1/2" PC2 Silver Parabolic Louver 1 1/2" x 1 1/2" x 1" For more shielding see options and accessories section.	BALLAST E Electronic T8, Instant Start 3E 3-Lamp Electronic T8, Instant Start EP Electronic T5 or T8, Programmed Start 3EP 3-Lamp Electronic T8, Programmed Start For specific ballast vendor, show as option	GLR Fast Blow Fuse EL Emergency Battery Pack PAF Paint After Fabrication SLL Spring Loaded Latches MS9 Master/Satellite Pair w/9' Harness C388 3/8" Flex with 3 No. 18 Wires C488 3/8" Flex with 4 No. 18 Wires NYC NYC Compliant NYCU NYC Compliant, Union Label WIH wiHUBB Enabled ¹

WITH FIELD INSTALLED BATTERY PACK

¹ Not available with Surface Mount Ceiling Types



PHOTOMETRIC DATA

Test 13767 Test Date 12/27/04

LUMINAIRE DATA

Luminaire	ST814-232G-FSA12 ST8 Lensed Troffer 1 x 4' 2-Lamp with A12 Prismatic Acrylic Lens
Ballast	REL-2P32-SC
Ballast Factor	0.88
Lamp	F32T8
Lumens per Lamp	2900
Total Input Watts	59
Mounting	Recessed
Reflectance	PCW 95.2
Shielding Angle	0° = 90 90° = 90
Spacing Criterion	0° = 1.23 90° = 1.16

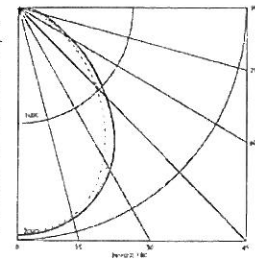
AVG. LUMINANCE (Candela/Sq. M.)

Average Luminaance Angle	0.0	22.5	45.0	67.5	90.0
0	6843	6843	6843	6843	6843
30	6504	6472	6311	6094	6009
40	5896	5782	5446	5222	5191
45	5381	5263	4918	4716	4696
50	4840	4667	4417	4194	4189
55	4324	3977	3813	3588	3618
60	3732	3300	3083	3027	3139
65	3243	2814	2459	2732	2864
70	2968	2580	2101	2682	2794
75	2924	2601	2224	2763	3032
80	3194	2732	2651	3033	3374
85	3402	3082	2801	3562	3642

COEFFICIENTS OF UTILIZATION (%)

RC	80			70			50			0			
	RW	70	50	30	10	70	50	30	10	50	30	10	0
1	82	79	76	73	80	77	75	72	74	72	70	64	
2	76	70	65	61	74	69	64	61	66	62	59	55	
3	70	62	57	52	68	61	56	52	59	55	51	48	
4	64	56	50	45	63	55	49	45	53	48	44	42	
5	59	50	44	40	58	50	44	39	48	43	39	37	
6	55	46	40	35	54	45	39	35	44	39	35	33	
7	51	42	36	31	50	41	35	31	40	35	31	29	
8	48	38	32	28	47	38	32	28	37	32	28	26	
9	45	35	30	26	44	35	29	26	34	29	25	24	
10	42	33	27	23	41	32	27	23	32	27	23	22	

INDOOR CANDELA PLOT



RCR = Room Cavity Ratio
RC = Effective Ceiling Cavity Reflectance RW = Wall Reflectance

ENERGY DATA

Total Luminaire Efficiency	74.9%
Luminaire Efficacy Rating (LER)	65
IESNA RP-1-1993 Compliance	Noncompliant
Comparative Yearly Lighting Energy Cost per 1000 Lumens	\$3.69 based on 3000 hrs. and \$0.08 per KWH

ZONAL LUMEN SUMMARY

Zone	Lumens	% Lamp	% Fixt.
0-30	1497	25.8	34.5
0-40	2366	40.8	54.5
0-60	3715	64.0	85.5
0-90	4346	74.9	100.0
0-180	4346	74.9	100.0

LUMINAIRE DATA

Luminaire	ST814-332G-FSA12 ST8 Lensed Troffer 1' x 4' 3-Lamp with A12 Pattern Acrylic Prism Lens
Ballast	REL3P32SC
Ballast Factor	0.88
Lamp	F32T8
Lumens per Lamp	2900
Total Input Watts	85
Shielding Angle	N/A
Spacing Criterion	0° = 1.25 90° = 1.28

AVG. LUMINANCE (Candela/Sq. M.)

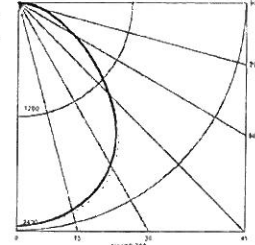
Average Luminaance Angle	0.0	22.5	45.0	67.5	90.0
0	8240	8240	8240	8240	8240
30	7964	7984	7992	8154	8166
40	7333	7333	7333	7465	7484
45	6729	6749	6764	6858	6888
50	6071	6093	6104	6115	6164
55	5434	5428	5422	5288	5355
60	4797	4741	4712	4488	4579
65	4215	4115	4082	3883	3991
70	3783	3691	3660	3578	3650
75	3604	3549	3549	3658	3658
80	3857	3736	3736	3998	3998
85	4104	3983	4104	4586	4425

COEFFICIENTS OF UTILIZATION (%)

RC	80			70			50			0			
	RW	70	50	30	10	70	50	30	10	50	30	10	0
1	72	69	66	64	70	67	65	63	65	63	61	56	
2	66	61	57	53	64	60	56	53	57	54	51	48	
3	60	54	49	45	59	53	48	45	51	47	44	41	
4	56	48	43	39	54	47	42	38	46	41	38	36	
5	51	43	38	34	50	43	37	34	41	37	33	31	
6	48	39	34	30	46	39	33	30	38	33	29	28	
7	44	36	30	26	43	35	30	26	34	30	26	25	
8	41	33	27	24	40	32	27	24	32	27	24	22	
9	39	30	25	22	38	30	25	21	29	25	21	20	
10	36	28	23	20	36	28	23	20	27	23	19	18	

Test 13385 Test Date 4/14/03

INDOOR CANDELA PLOT



RCR = Room Cavity Ratio
RC = Effective Ceiling Cavity Reflectance RW = Wall Reflectance

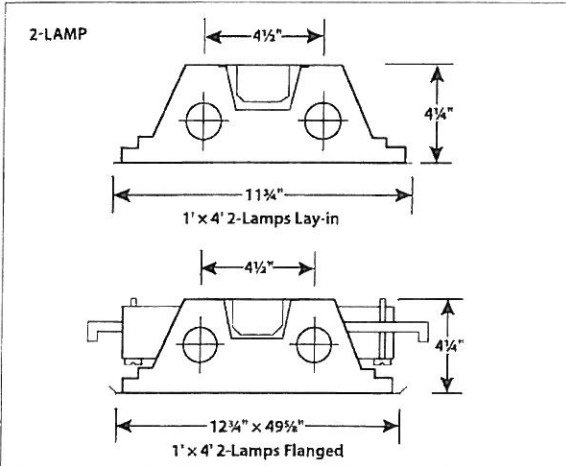
ENERGY DATA

Total Luminaire Efficiency	65.6%
Luminaire Efficacy Rating (LER)	59
IESNA RP-1-1993 Compliance	Noncompliant
Comparative Yearly Lighting Energy Cost per 1000 Lumens	\$4.07 based on 3000 hrs. and \$0.08 per KWH

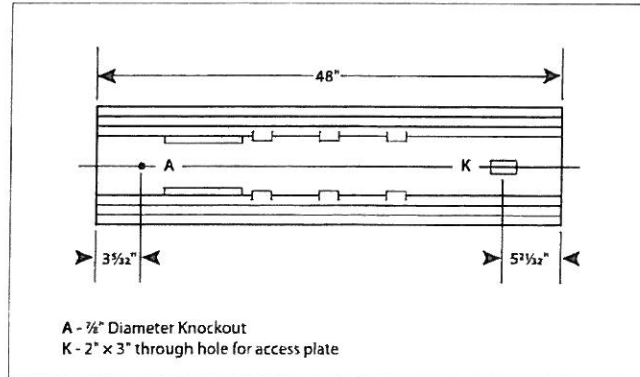
ZONAL LUMEN SUMMARY

Zone	Lumens	% Lamp	% Fixt.
0-30	1838	21.1	32.2
0-40	2974	34.2	52.1
0-60	4821	55.4	84.5
0-90	5706	65.6	100.0
0-180	5706	65.6	100.0

DIMENSIONAL DATA

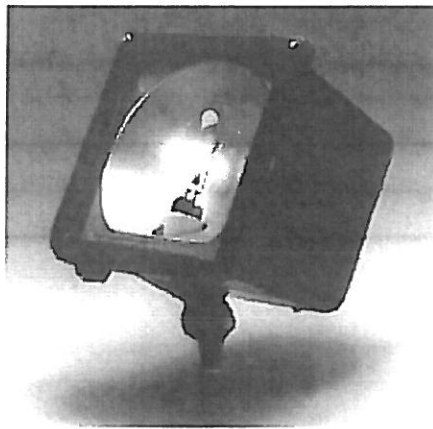


Flanged cut out dimensions for single unit only: 12" x 48 3/4"



NOTE: All dimensions are in inches; dimensions and specifications are subject to change without notice. Please consult factory or check sample for verification.

POPEYE'S TYPE "D1"
SHUTTER UPLIGHT
#MIC100MHEV/RL6009



100 WATT METAL HALIDE
CUSTOM EVERGREEN COLOR
½" THREADED KNUCKLE
MULTI-TAP BALLAST

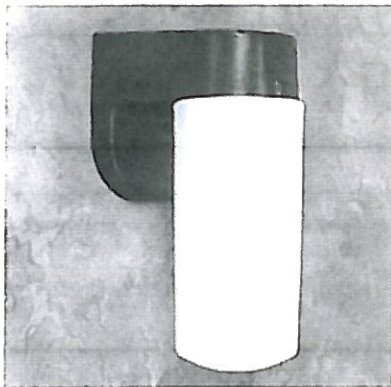


HERMITAGE LIGHTING NATIONAL ACCOUNTS
531 Lafayette Street * Nashville, Tennessee * 37203 615-843-3370 * 800-267-3383 * FAX 615-843-3351
SPECIALISTS IN RESTURANT AND RETAIL LIGHTING DESIGN





NIBLICK POLY

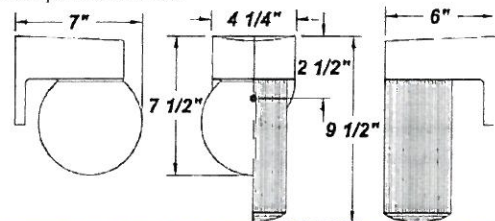


COMPACT FLUORESCENT

PROJECT :	
TYPE :	E
ORDERING # :	
COMMENTS :	

FEATURES

- Black Polycarbonate Housing
- White Ribbed Polycarbonate Jar Diffuser
- Lamps Included
- Mounts Directly to 4" Junction Box (By Others)
- Mounting Hardware Included
- ETL Listed Wet Location
- Wattages With a (ES) Are Available @ 120V With Energy Star Compliant Lamps and Ballasts



ORDERING INFORMATION

Example : (PNK126X - 120E - JW)	Black is Standard Finish
PNK126X	

PRODUCT	SOURCE/WATTAGE	VOLTAGE	DIFFUSER	FINISH	OPTIONS
Niblick Poly	PNK113 - (1) 13W 2-Pin Biax Magnetic Only PNK118Q - (1) 18W QE PNK126Q - (1) 26W QE (ES) PNK126X - (1) 26W TBX	120N - 120V NPF 120E - Electronic 120V 277E - Electronic 277V NOTE: 277V Magnetic NOT Available	JC - Clear Jar Polycarbonate Lens (Standard) JW - White Jar Polycarbonate Lens GC - Clear 6" Ribbed Polycarbonate Globe (Available for 13W Fixtures Only) GW - White 6" Polycarbonate Globe (Available for 13W Fixtures Only)	Not Applicable	41K - 4100K Color Temp. 35K - 3500K Color Temp. 27K - 2700K Color Temp. (Standard) F - Fused PCL120 - Photocell 120V PCL277 - Photocell 277V EBR - Remote Mount Battery (Field Installed)* ES - Energy Star Listed Fixture w/ Compliant Ballasts & Lamps

REPLACEMENT PARTS	PART NO.
Clear Ribbed Jar Polycarbonate Diffuser	34024
White Ribbed Jar Polycarbonate Diffuser	3402460
Clear 6" Ribbed Polycarbonate Globe Diffuser	34030
White 6" Polycarbonate Globe Diffuser	3402960

NOTES
<p>*Emergency Battery Options Initial light output in Emergency mode will last for a minimum of 90 minutes. 1 lamp wired unless ordered otherwise. The following are suitable for indoor and damp locations. Please refer to Bodine's specification sheet</p> <p>EBR: Bodine's B94CG (Electronic) - Temperature Rating (Ambient) 32° F - 122° F Bodine's B413 (Magnetic) - Temperature Rating (Ambient) 32° F - 122° F</p>

We reserve the right to revise the design or components of any product due to parts availability or change in UL standards, without assuming any obligation or liability to modify any products previously manufactured, and without notice.



Model Number:

Type: EX

Job:

Approvals:

UNIT

- Damp location rated
- Easy to install, snap together design
- Injection-molded. UL94 V-0 flame rated, high impact, thermoplastic housing
- Molded wireways for internal wire routing and connections
- Completely self-contained
- 6 volt, 5.4 watt high intensity tungsten (H.I.T.) lamps
- Remote capacity option provides 12 watts of remote power
- Available in white or black finishes
- Universal J-Box mounting pattern
- 120/277 VAC dual input
- Short circuit, voltage surge, brown-out and low battery voltage disconnect protected
- LED charge rate/power on indicator light
- Push test switch
- Meets ADA fixture requirements
- Long life maintenance-free sealed lead acid battery
- 90 minute ETL listed emergency run time

EXIT SIGN

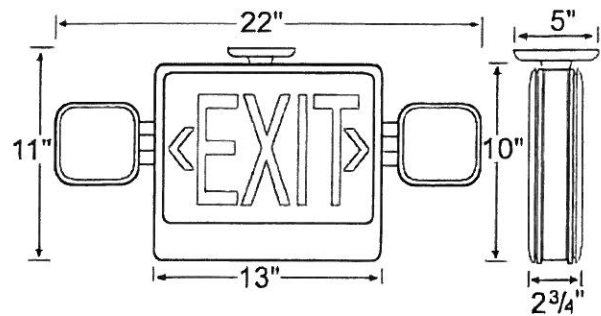
- Factory assembled unit/LED exit sign
- Constant uniform illumination
- 6" letter with a 3/4" stroke
- Long-Life, high intensity, red or green LEDs
- Color matched diffuser for optimal light output
- Snap-in chevron type directional arrows
- Universal mount, canopy included



VEX-U-BP-WII-EL90

Exclusive low-profile design allows for mounting above doors and restricted spaces. The EL90 offers full 180° lamp rotation.

DIMENSIONS



CONFORMANCE TO CODES & STANDARDS

ETL listed. Meets UL 924, NFPA 101 (Life Safety Code) NEC, and OSHA. Meets state of Minnesota energy-efficient legislation requiring less than 20 watts of power consumption.



SPECIFICATIONS ARE SUBJECT TO CHANGE WITHOUT NOTICE

CONSTRUCTION

Unit & Lamp Housing: Precision molded housings constructed of flame retardant, corrosion proof, UV stable thermoplastic. N.F.P.A. approved field selectable chevrons. Units resist denting, peeling, scratching and corrosion.

Finish: Textured white or black.

EXIT ILLUMINATION

Fully illuminated 6" letters with 3/4" stroke is achieved with high output, long lasting red or green Light Emitting Diodes (LEDs). An exclusive color-matched diffuser eliminates hot spots and striations, providing optimal light output. LEDs and electronics have an expected service life of up to 100,000 hours.

INSTALLATION

Simple snap together universal design allows for faceplate and backplate to be fully interchangeable. Mounting canopy is supplied with all signs and snaps into enclosure with two positive locking tabs.

ELECTRONICS

120/277 VAC dual voltage input with surge protected, solid state circuitry.

EMERGENCY OPERATION

Charging circuit is solid state type with constant current charge and transfer design. Circuit is brown-out protected and provides a minimum of 90 minutes of emergency run time and recharge time of 12 hours. Push to test switch and an LED AC indicator provides simple means for manual test.

REMOTE CAPACITY OPTION

The EL90 is available with an additional 12 watts of remote capacity and is supplied with 5.4 watt lamps. This option utilizes maintenance-free, sealed lead acid batteries with an estimated service life of 10 years with an operating temperature range of 65°F (19°C) to 85°F (30°C).

SELF-TESTING /

SELF-DIAGNOSTIC OPERATION (Option: G2)

The circuit continuously monitors the operating condition of the AC power, battery supply voltage, emergency lamp continuity and charging circuit.

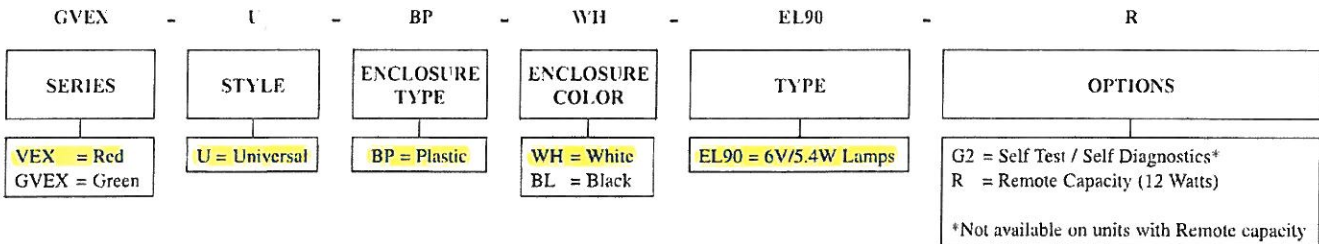
If a failure is detected, visual status will occur immediately via the multi-colored LEDs. LED indicator(s) will illuminate until fault has been corrected.

The G2 also monitors the transfer circuit as well as performing automatic code compliant testing. The self-test will operate the equipment in emergency mode five minutes every 28 days. Also, a 90 minute full-function test is performed every six months.

WARRANTY

Any component that fails due to manufacturer's defect is guaranteed for 5 years from time of shipment. Battery is prorated for 5 years. Warranty does not apply to damages caused by improper installation, abuse, fire or acts of God. Manufacturer reserves the right to charge for such repairs if deemed necessary.

ORDERING INFORMATION



YOUR LOCAL REPRESENTATIVE IS:

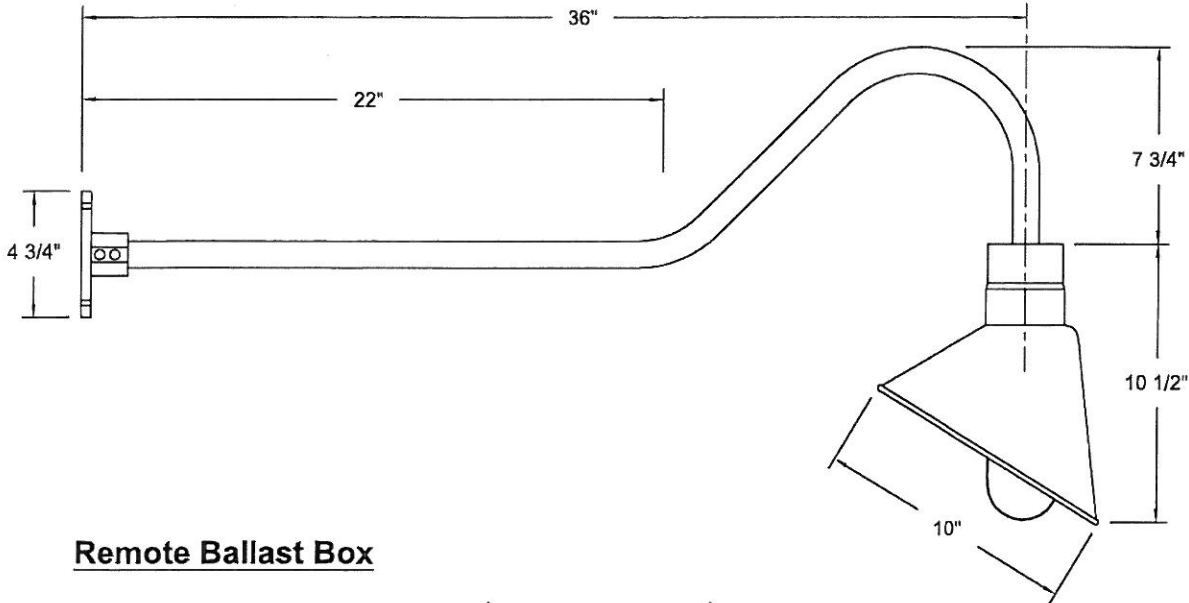
EXITRONIX™
 A DIVISION OF THE
BARRON LIGHTING GROUP
 1911 W. Parkside Lane • Phoenix, AZ 85027
 (800) 533-3948 • Fax: (623) 580-8948
 www.exitronix.com • www.barronltg.com



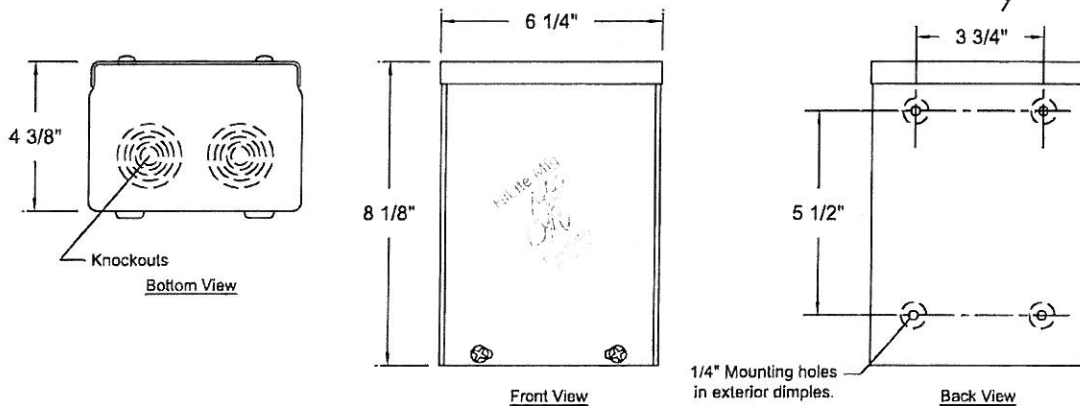
HI-LITE MFG. CO., INC.

13450 Monte Vista Avenue
 Chino, California 91710
 Telephone: (909) 465-1999
 Toll Free: (800) 465-0211
 Fax: (909) 465-0907
 www.hilitemfg.com

Job Name:	Popeyes
Type:	H
Quantity:	



Remote Ballast Box



Item Number	Wattage	Voltage
H-811/C/GU/602-100MH	100W/MH	120, 208, 240, 277V

Material
 Aluminum

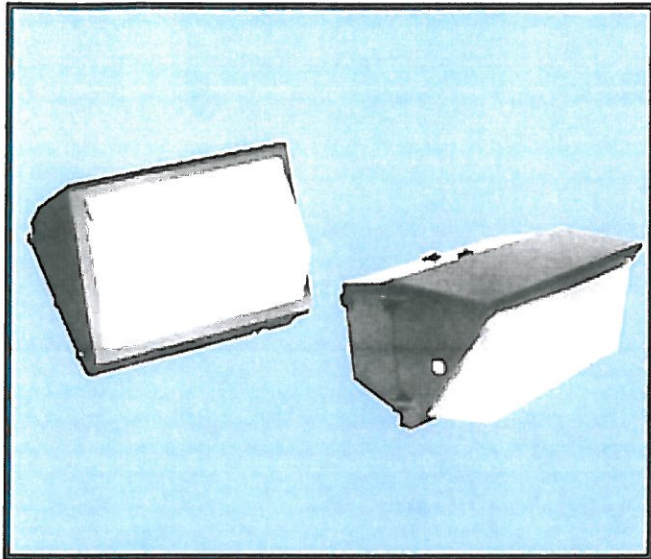
Finish
 602 (Evergreen)

Lamp/Socket
 1- Medium Base 4-KV
 Metal Halide

Mounting
 Wall Mounted

Note: Do not remove ballast from enclosure. Do not mount ballast more than 10' from socket. If further distance is required, a long range ignitor/ballast is available at an extra cost.

SWP SERIES WALL PACK



The rugged SWP Series wall pack is the perfect solution for compact, reliable illumination. Its low profile provides unobtrusive, yet functional perimeter lighting around parking garages, retail buildings, restaurants, and service areas. Our variety of standard, in-stock color options allow this industry standard luminaire to become an aesthetic design element that will complement any building decor.

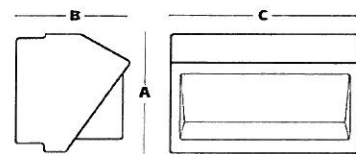


Fixture Specifications

FEATURES

- Rugged die cast aluminum housing finished in weatherproof powder-coat paint
- Hinged door frame for easy lamp replacement
- Heavy-duty prismatic borosilicate glass refractor for non-yellowing maximum performance
- UL listed for wet locations
- In stock; immediate availability in a variety of colors

DIMENSIONS



	A	B	C
SWP (SMALL)	9.0'	7.25'	13.0'
SWP (LARGE)	9.0'	13.0'	17.0'

ORDERING INFORMATION

SAMPLE CATALOG NUMBER

SWP **XXXXX** **XX** **MT** **XXX**
 Series Wattage/Source Finish Voltage Accessories

SERIES

SWP Wall Pack

WATTAGE/SOURCE¹

70MH 70 watt metal halide (small)
100MH 100 watt metal halide (small)
175MH 175 watt metal halide (small)
250MH 250 watt metal halide (large)
400MH 400 watt metal halide (large)
70HPS 70 watt high pressure sodium (small)
100HPS 100 watt high pressure sodium (small)
150HPS 150 watt high pressure sodium (small)
250HPS 250 watt high pressure sodium (large)
400HPS 400 watt high pressure sodium (large)

FINISH²

DB Dark Bronze
BK Black
WH White
AD Almond
PL Platinum

VOLTAGE

MT Multi-Tap 120/208/240/277V

ACCESSORIES

WG-S Wire Guard (small)³
WG-L Wire Guard (large)³
PS-S Polycarbonate Shield (small)³
PS-L Polycarbonate Shield (large)³
PC Photocontrol (must specify voltage)

¹ Consult factory for other lamp wattages and sources
² Consult factory for other available finishes
³ WG accessory cannot be ordered with PS accessory. The fixture will only accommodate one or the other



A HUBBELL LIGHTING, INC. COMPANY

Performance Designed Lighting Products

www.securitylightingsystems.com

1085 Johnson Drive • Buffalo Grove, IL 60089 • TOLL-FREE 800-544-4848 • PHONE 847-279-0627 • FAX 847-279-0642

Model Number: LL90WH

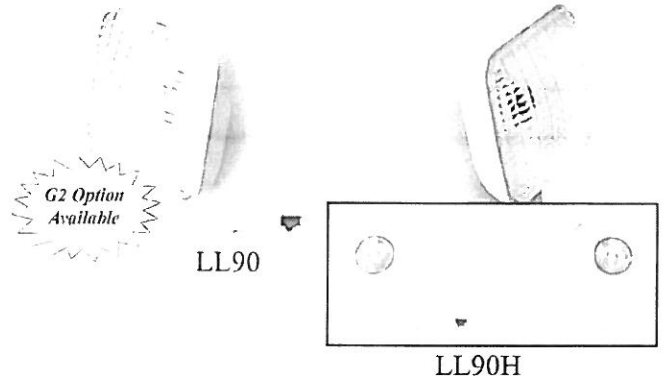
Approvals:

Type: EM

Job: POPEYE'S

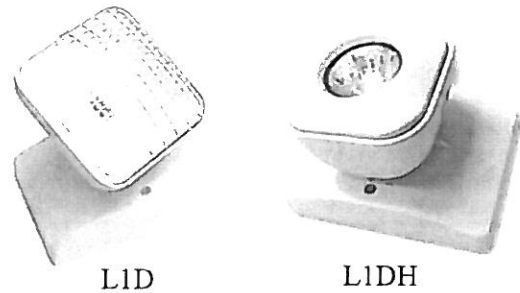
STANDARD FEATURES

- Damp location rated
- Universal J-box mounting with quick-connect adapters for fast, simple installation
- Compact, low profile design
- Unique, fully adjustable square lamp heads
- Completely self-contained
- Fully automatic operation
- 6-volt premium grade, lead-acid, maintenance-free battery with 10 year expected life (optional NiCad battery available)
- Environmentally coated, solid state charger
- Low voltage disconnect, protects battery from deep discharge
- 120/277 VAC operation
- Fully adjustable 5.4 watt tungsten (LL90) or 5 watt halogen (LL90H) glare-free lighting heads (optional Krypton lamps available)
- Injection-molded, V-0 flame retardant, high impact, thermoplastic housing
- Low-profile test switch and LED charge rate indicator light
- Regulated charge voltage
- AC lockout
- Overload/short circuit protection
- Brown-out protection
- ETL listed

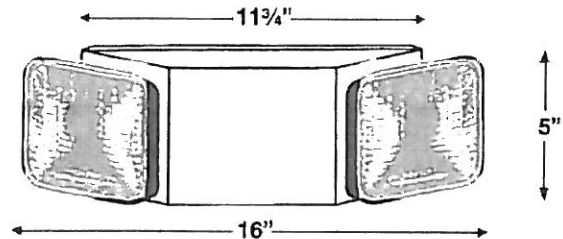


The LL90, LL90R, and LL90H combine a low-profile, contemporary appearance with economy and dependability. Both incorporate fully adjustable designer heads to compliment any environment.

AVAILABLE REMOTE HEADS



DIMENSIONS



LL90R REMOTE CAPACITY FEATURES

- Remote capabilities with a total of 11 watts
- 6 volt, 7ah lead-acid battery
- Same low-profile design as LL90



SPECIFICATIONS ARE SUBJECT TO
CHANGE WITHOUT NOTICE

CONSTRUCTION

Unit & Lamp Housing: Precision molded housings constructed of flame retardant, corrosion proof thermoplastic. Units resist denting, peeling, scratching and corrosion. Not recommended for outdoor use.

Finish: Textured white or black.

INSTALLATION

Units are mountable in any orientation, on wall or ceilings. A universal mounting pattern and rear key hole slots are provided.

ELECTRONICS

120/277 VAC dual voltage input with surge protected, solid state circuitry.

EMERGENCY OPERATION

Charging circuit is solid state type with constant current charge and transfer design. Circuit is brown-out protected and provides a minimum of 90 minutes of emergency run time and recharge time of 12 hours. Push to test switch and an LED AC indicator provides simple means for manual test.

BATTERY

Maintenance-free, sealed Lead Acid Battery provides an estimated service life of 10 years with an operating temperature range of 65°F (19°C) to 85°F (30°C).

SELF-TESTING /

SELF-DIAGNOSTIC OPERATION (Option: G2)

The circuit continuously monitors the operating condition of the AC power, battery supply voltage, emergency lamp continuity and charging circuit.

If a failure is detected, visual status will occur immediately via the multi-colored LEDs. LED indicator(s) will illuminate until fault has been corrected.

The G2 also monitors the transfer circuit as well as performing automatic code compliant testing. The self-test will operate the equipment in emergency mode five minutes every 28 days. Also, a 90 minute full-function test is performed every six months.

CONFORMANCE TO CODES & STANDARDS

ETL listed. Meets UL 924, NFPA 101 (Life Safety Code) NEC, OSHA and Energy Star illumination standards. Meets state of Minnesota energy-efficient legislation requiring less than 20 watts of power consumption.

WARRANTY

Any component that fails due to manufacturer's defect is guaranteed for 5 years from time of shipment. Battery is prorated for 5 years. Warranty does not apply to damages caused by improper installation, abuse, fire or acts of God.

Catalog Model#	Emergency Operation	Voltage Input	Lamp Wattage	Total Connected Heads/Fixtures		
				4-Hrs	2-Hrs	1 1/2 Hrs
LL90	90 min	120/277V	2X5.4W	N/A	N/A	2
LL90R	90 min	120/277V	2X4.6W	N/A	1	2
LL90H	90 min	120/277V	2X5.0W	N/A	N/A	2
LL90HR	90 min	120/277V	2X5.0W	N/A	1	2

ORDERING INFORMATION:

LL90	BL	C
MODEL	COLOR	OPTIONS
LL90 = Standard Unit LL90R = Remote Capacity (11 Watts) LL90H = 5 Watt Halogen LL90HR = 5 Watt Halogen w/Remote Capacity (11 Watts)	Blank = White BL = Black	G2 = Self Test / Self Diagnostics KRP = Krypton Lamps LC = 3' Line Cord NC = NiCad Battery

YOUR LOCAL REPRESENTATIVE IS:

EXITRONIX™

A DIVISION OF THE

BARRON LIGHTING GROUP

1911 W. Parkside Lane • Phoenix, AZ 85027

(800) 533-3948 • Fax: (623) 580-8948

www.exitronix.com • www.barronltg.com



Hermitage Lighting National Accounts



Product Specifications

Job Name:	Job Type:
Quantity:	Comments:



ITEM# EDJ31111

Inspired by the small disks of glass that are used as ornaments in stained glass windows, this single light pendant presents a simple and clean cylindrical glass canopy accented by chrome hardware and featuring adjustable height for maximum adaptability. Consider it the perfect lighting solution for bar, bathroom, kitchen island or pool table.

Finish
Polished Chrome

Glass/Shade
Red

Lamping

Number of Bulb(s)	1
Light Type	Incandescent
Bulb Type	MB
Max Bulb Wattage	60
Max Fixture Wattage	60
Rated Life	±2,500 Hours
Rated Lumens	±672
Color Temp	±2,700 K
Bulb(s) Included	No
Light Up/Down	N/A
Beam Spread	N/A
CRI	N/A
Photo Cell Included	N/A
Ballast	N/A
Dimmable	Standard Dimmer

Measurements

Width	3.50"
Height	12.00"
Length	N/A
Extension	N/A
Back Plate Width	N/A
Back Plate Height	N/A
HCO	N/A
Min Overall Height	N/A
Max Overall Height	120.00"
Hanging Weight	3.96 lb(s)
Height Adjustable	Yes
Slope	N/A

Shipping

Carton Weight	5.94 lb(s)
Carton Width	5.91"
Carton Height	6.50"
Carton Length	18.50"
Carton Cubic Feet	N/A
Master Pack	1
Master Pack Weight	N/A
Master Pack Width	N/A
Master Pack Height	N/A
Master Pack Length	N/A
Master Cubic Feet	N/A
UPS Shippable	Yes



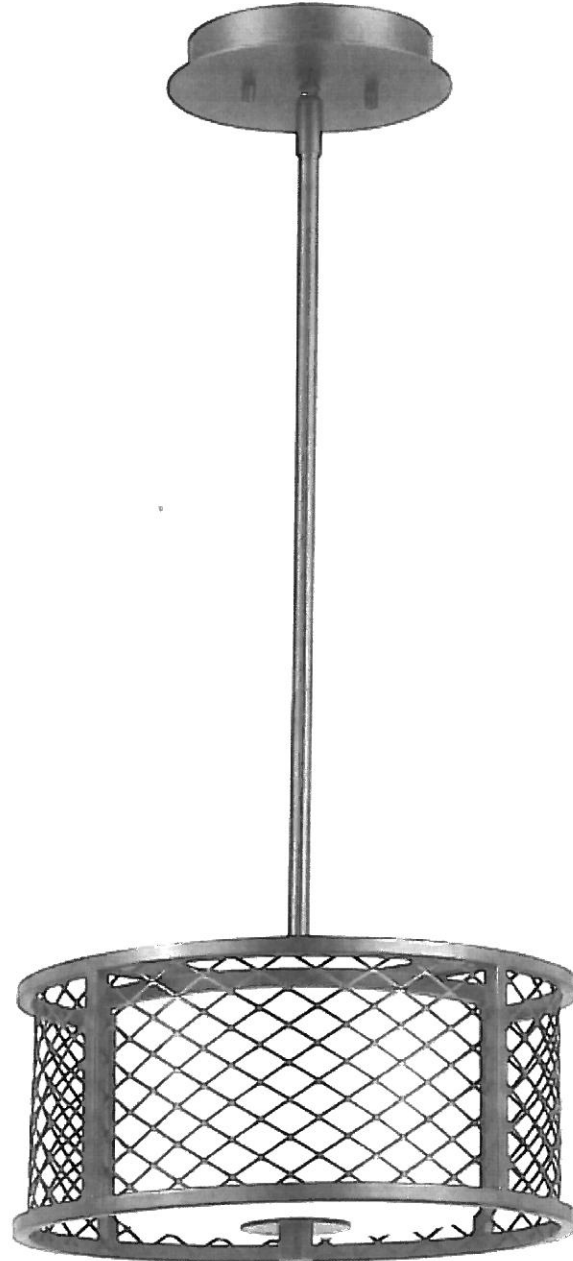


Project: **POPEYE'S**
Fixture Type: **LL2**

Crab Pot Height 10"
Diameter 12"
Overall Height 46"

BOTTOM OF FIXTURE SHOULD
BE NO LOWER THAN 7' 0" AFF

DO NOT
OVERTIGHTEN
DECORATIVE NUT
THAT HOLDS THE
GLASS. THIS WILL
CAUSE THE FRAGILE
GLASS TO BREAK



PRODUCT CODES

Catalog Number	Input Voltage	Lamp Rating (max.)
PF346315721216	120	2 - 5 WATT



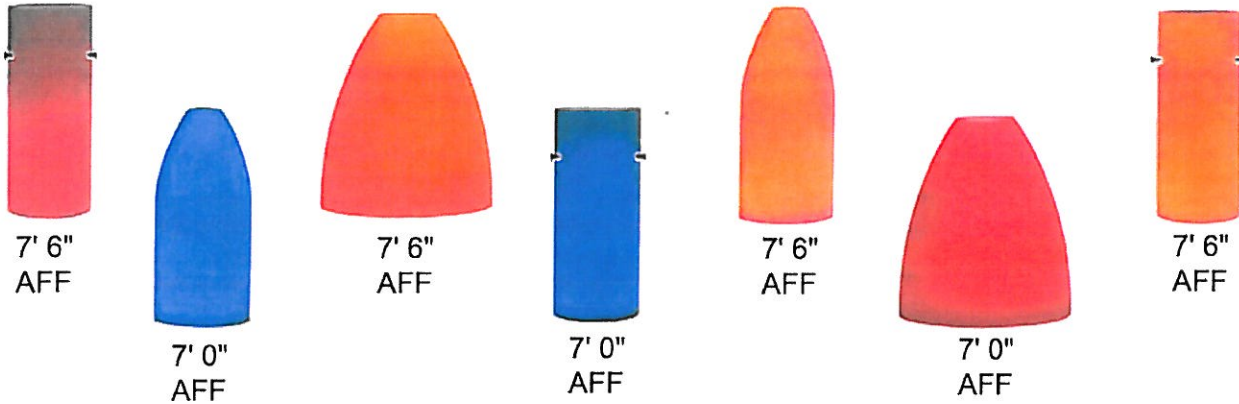


Hermitage Lighting National Accounts

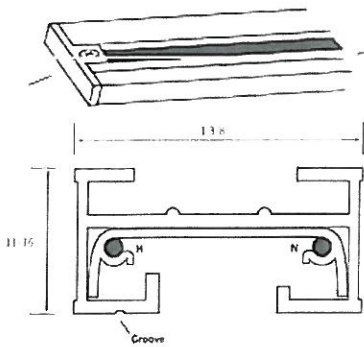


Project: **POPEYE'S**
 Fixture Type: **Flavoriety**
 Location:
 Contact/Phone:

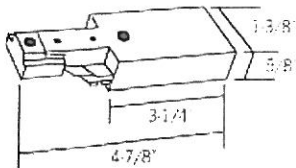
Fixtures will use 15 watt compact fluorescent lamps.



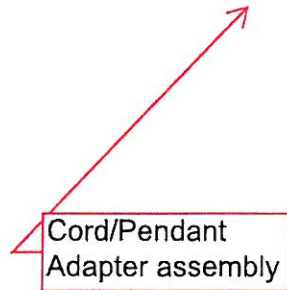
Note:
 Pendants are installed on (2) tracks spaced 9" apart.
 Mount 7'6" a.f.f. fixtures on Front Track.
 Mount 7'0" a.f.f. fixture on Rear Track.
 Pendants to be spaced 10 o.c. typical with center pendant aligned on center with the centerline of beverage counter or beverage unit (depending on existing conditions).



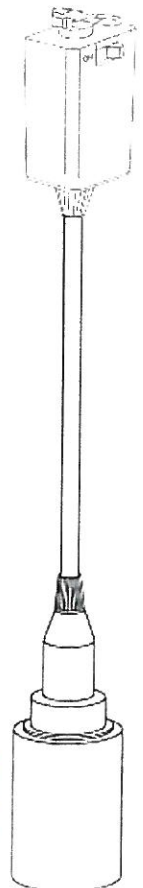
8' Track Detail / End and bottom view



End Feed for track



Cord/Pendant Adapter assembly



PRODUCT CODES

Catalog Number	Input Voltage	Lamp Rating (max.)
Flavoriety C	120	15 Watts Each



Juno

Project: _____

Fixture Type: LL4 & LL5 _____

Location: NEW STORE RECESS _____

Contact/Phone: _____

6" VERTICAL COMPACT FLUORESCENT HOUSING

26/32/42W
COMPACT FLUORESCENT LAMP

PL642EU

PRODUCT DESCRIPTION

PL housing designed for use in non-insulated areas • If installed where insulation is present, the insulation must be pulled back 3" from all sides of the PL housing • Easy access ballast.

PRODUCT SPECIFICATIONS

Lamp One 26/32/42W triple tube (4-pin) CFL lamp.

Socket Supplied with spring to accommodate certain trim installations, or can be attached to top of housing for certain trims.

Ballast 120V thru 277V HPF Rapid Start Electronic with end-of-life lamp protection • UL listed/CSA certified • Mounted between j-box and housing for ease of maintenance.

Trims Trim selection shown on reverse.

Labels UL listed for through-branch wiring and damp locations • Union made • UL and C-UL Listed • Trims 220, 239, 241, 242, 243, 271, 6101 and 9900 are wet location approved for covered ceiling applications.

Testing All reports are based on published industry procedures; field performance may differ from laboratory performance.

Product specifications subject to change without notice.

INSTALLATION

Real Nail 3 Bar Hangers Telescoping, patent-pending Real Nail 3 system permits quick placement of housing anywhere within 24" O.C. joists or suspended ceilings • Integral T-bar notch and clip secures housing in suspended ceiling grid - no accessory clips required • 24" expansion stop allows quick placement of fixture in standard grid spacing • Bars scored in two locations for fast, clean breaking, allowing housing installation in tight applications • Bars captive to mounting frame • Edge-mounted for extra strength • Captive bugle-headed ring shank nail for quick one-step installation and easy removal with claw hammer for fixture relocation • Quick-Loc slot and oversized locking set screw lock fixture in position • Bar hanger foot contoured to align to bottom of construction joist • Alternate mounting holes included.

Junction Box Pre-wired junction box provided with (5) 1/2" and (1) 3/4" knockouts, (4) Non-metallic sheathed cable connectors and ground wire, UL and C-UL Listed for through-branch wiring, maximum (8) No. 12 AWG 90° C branch circuit conductors (4 in, 4 out) • Junction box provided with removable access plate • Knockouts equipped with pryout slots.

Mounting Frame 22-gauge die-formed galvanized steel mounting frame • Rough-in section (junction box, mounting frame, housing ballast and bar hangers) fully assembled for ease of installation.

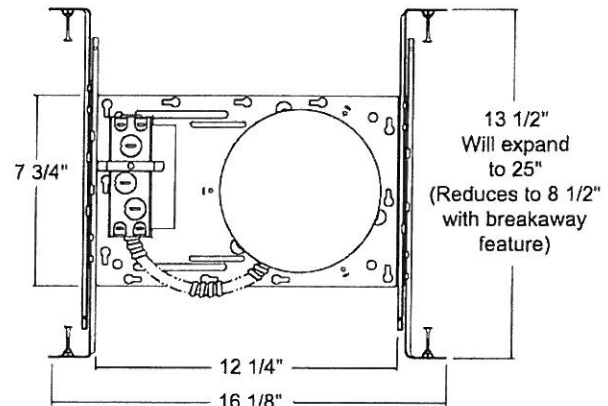
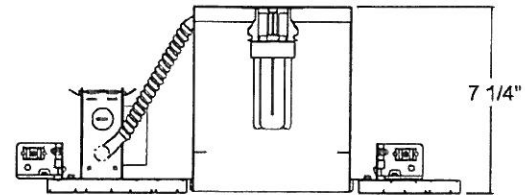
Housing 22-gauge white painted steel • Housing is vertically adjustable to accommodate up to a 2" ceiling thickness.

PRODUCT CODES

Catalog Number	Input Voltage	Lamp Rating (max.)
PL642EU	120V - 277V	26/32/42W Triple Tube (4-pin) CFL

REV-10/08

DIMENSIONS

















6 7/8" CEILING CUTOUT

6" VERTICAL COMPACT FLUORESCENT HOUSING

26/32/42W
COMPACT FLUORESCENT LAMP
PL642EU

TRIMS/LAMPS

Cat. No.	Description	Lamp Rating
 220-WH ◆ 220-PW ◆	Albatross lens with Reflector Shower/Closet Light	26W Triple Tube (4 pin) CFL
 241-WH ◆ 241-PW ◆	Drop Opal with Reflector Shower/Closet Light	26W Triple Tube (4 pin) CFL
 242-WH ◆ 242-SC ◆ 242-ABZ ◆	Shower Trim, Frosted Lens with Clear Center Shower Trim, Frosted Lens with Clear Center Shower Trim, Frosted Lens with Clear Center	42W Triple Tube (4 pin) CFL
 243-WH ◆	Decorative Swirl Etched Opal Glass	32W Triple Tube (4 pin) CFL*
 239-WH ◆	Frosted Lens with Reflector	32W Triple Tube (4 pin) CFL
 271-PW ◆	Drop Opal with Reflector	32W Triple Tube (4 pin) CFL
 28W-WH ◆ 28B-WH ◆	Conical White Baffle Conical Black Baffle	42W Triple Tube (4 pin) CFL
 29C-WH ◆ 29W-WH ◆	Deep Cone - Clear Deep Cone - White	42W Triple Tube (4 pin) CFL
 232C-WH ◆ 232G-WH ◆ 232W-WH ◆ 232HZ-WH ◆ 232WHZ-WH ◆	Multiplier - Clear Alzak Multiplier - Gold Alzak Multiplier - Gloss White Multiplier - Haze Multiplier - Wheat Haze	42W Triple Tube (4 pin) CFL*
 2320C-WH ◆ 2320HZ-WH ◆ 2320WHZ-ABZ ◆ 2320WHZ-WH ◆	Multiplier in Clear Low Indescend Alzak Multiplier in Haze Multiplier in Wheat Haze Multiplier in Wheat Haze	42W Triple Tube (4 pin) CFL
 233C-WH ◆	Multiplier in Clear Alzak with Black Baffle White Trim	42W Triple Tube (4 pin) CFL
 261W-WH ◆ 261B-WH ◆	Scoop Wall Wash with White Baffle Scoop Wall Wash with Black Baffle	26W Triple Tube (4 pin) CFL
 6101-ABZ ◆ 6101-SC ◆ 6101-WH ◆	Beveled Frame - Frosted Dome Lens with Reflector Beveled Frame - Frosted Dome Lens with Reflector Beveled Frame - Frosted Dome Lens with Reflector	42W Triple Tube (4 pin) CFL
 9900-WH ◆	Fluted Drop Opal Lens	32W Triple Tube (4 pin) CFL

Recess
Downlight

Recess
Wallwasher

Trim Size: Catalog Numbers 242, 243, 239, 271, 28, 29, 232, 2320, 233, 261, 9900 - 7 $\frac{1}{8}$ " O.D. Catalog Numbers 220, 241 - 8" O.D. Catalog Number 6101 - 7 $\frac{1}{2}$ " O.D.
Trim Finish: ABZ - Classic Aged Bronze, PW - Plastic White (Polycarbonate material shower trim), SC - Satin Chrome, WH - White.
Alzak is a registered trademark of Alcoa Corp.
Note: in Canada when insulation is present, Type IC fixtures must be used.
* Use only Osram Sylvania or G.E. lamps.

◆ UL Listed for use in wet location.

** NOTE: TR6 Trim Ring compatible with 9900 trim.



1300 S. Wolf Road • Des Plaines, IL 60018 • Phone (847) 827-9880 • Fax (847) 827-2925
220 Chrysler Drive • Brampton, Ontario • Canada L6S 6B6 • Phone (905) 792-7335 • Fax (905) 792-0064
Visit us at www.junolightinggroup.com

Printed in U.S.A. ©2008 Juno Lighting, LLC.



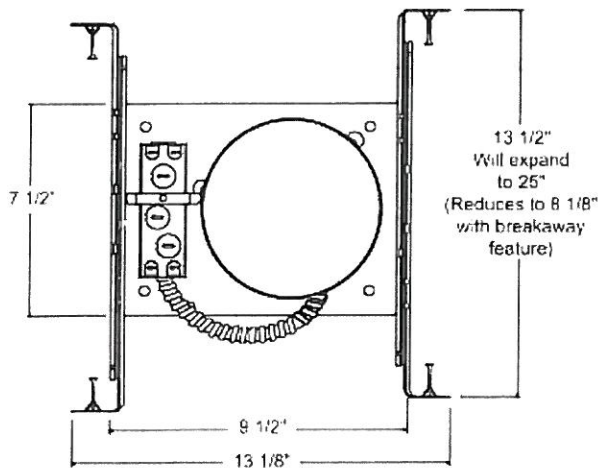
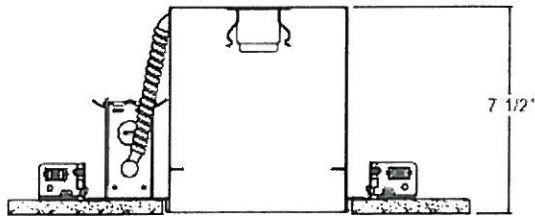
RENOVATION RECESS LIGHTS

Product Specifications

Job Name:	Job Type:
Quantity:	Comments:

RECESSED HOUSING BELOW IS USED FOR BOTH VL4 & VL5 RECESS LIGHTS

DIMENSIONS



6 7/8" CEILING CUTOUT



VL5 Recess Trim

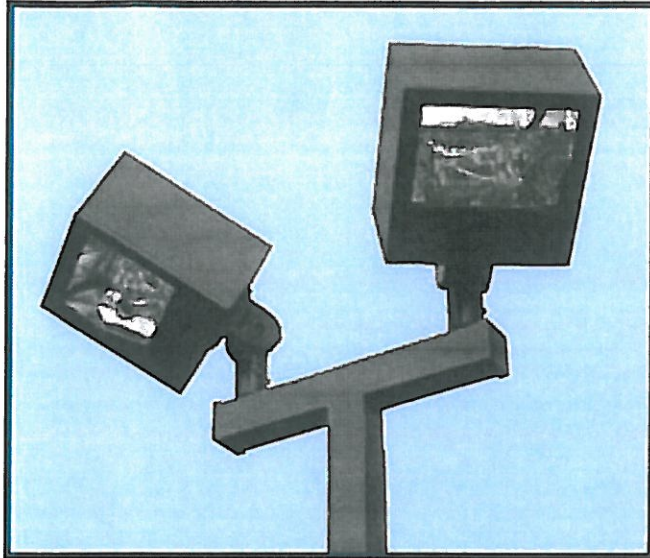


VL4 Recess Trim

LAMP USED IS A 15 WATT COMPACT FLUORESCENT



ASB SERIES



A fully adjustable and directional lighting system designed for maximum flexibility and the challenges of today's lighting needs. Adjustable mounting allows for up to 45° tilt above horizontal to optimize performance. Fixed arm mounting provides true cutoff in the same value-priced luminaire.



Fixture Specifications

FEATURES

- Mill finished aluminum housing
- Access to lamp and ballast compartments through hinged door assembly
- One-piece tempered glass lens
- Optical system fabricated of polished aluminum; provides optimum efficiency for long and wide light distributions
- Type C includes adjustable tenon adapter
- Includes integral/adjustable light cut-off shield
- Consult factory for external glare shield options
- Includes lamp
- Available with photocell
- Available with polycarbonate shield
- Suitable for wall mounting

ORDERING INFORMATION

SAMPLE CATALOG NUMBER

ASB X XXXXXXXX XX XX

Series Type Wattage/Source Finish Voltage

SERIES

ASB Adjustable Shoe Box

TYPE

C Adjustable cut-off
F Fixed arm (forward throw)

WATTAGE/SOURCE¹

175MH 175 watt metal halide
250MH 250 watt metal halide
400MH 400 watt metal halide
1000MH 1000 watt metal halide
250HPS 250 watt high pressure sodium
400HPS 400 watt high pressure sodium
1000HPS 1000 watt high pressure sodium

FINISH²

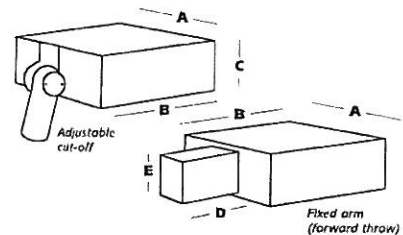
DB Dark bronze
AD Almond
WH White
BK Black
PL Platinum

VOLTAGE

MT Multi-Tap ballast (120, 208, 240, 277V)
48 480 volt

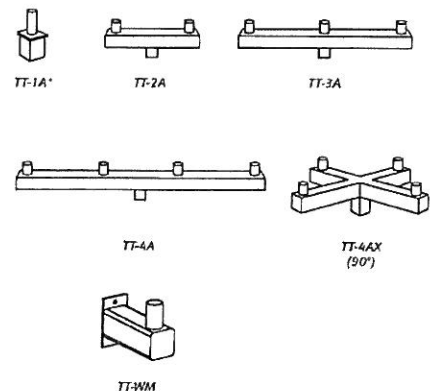
¹ Consult factory for other wattages and Pulse Start availability
² Consult factory for other finishes
³ EPA based on 30° tilt. For other EPA values, consult factory

DIMENSIONS



	A	B	C	D	E	EPA ³
400	17.0"	17.0"	9.5"	10.0"	5.0"	1.44
1000	22.0"	22.0"	10.5"	10.0"	5.0"	2.54

MOUNTING BRACKET ORDERING INFORMATION



* TT-1A not required with tenon top pole. Use only for retrofit (specify 4" or 5" pole)



A HUBBELL LIGHTING, INC. COMPANY

Performance Designed Lighting Products

www.securitylightingsystems.com

1085 Johnson Drive • Buffalo Grove, IL 60089 • TOLL-FREE 800-544-4848 • PHONE 847-279-0627 • FAX 847-279-0642