

JUNO® lighting

6" VERTICAL CFL DOWNLIGHT

BAFFLED APERTURE

One 26W or 32W Triple Tube

CV6-126/32T-601B, -601W

Project: _____

Fixture Type: _____

Location: _____

Contact/Phone: _____

PRODUCT SPECIFICATIONS

Lamp One 26W or 32W triple tube compact fluorescent lamp CFTR26W/GX24q-3 or CFTR32W/GX24q-3 • 4 pin electronic.

Socket Housing Vented, extruded aluminum housing with heat dissipating fins • Single-position, keyed reflector attachment.

Ballast 120V thru 277V HPF Electronic with end-of-life lamp protection • 347V HPF Electronic available in Canada • Optional Dimming ballast available • U.L. listed/CSA certified.

Reflector .050" aluminum reflector with clear specular Alzak® finish.

Baffle Matte black or white, grooved aluminum baffle.

Trim Ring White Polycarbonate.

Labels U.L. listed for through branch wiring and damp locations • Union made AFL-CIO • CSA certified.

Testing All reports are based on published industry procedures; field performance may differ from laboratory performance.

Product specifications subject to change without notice.

INSTALLATION

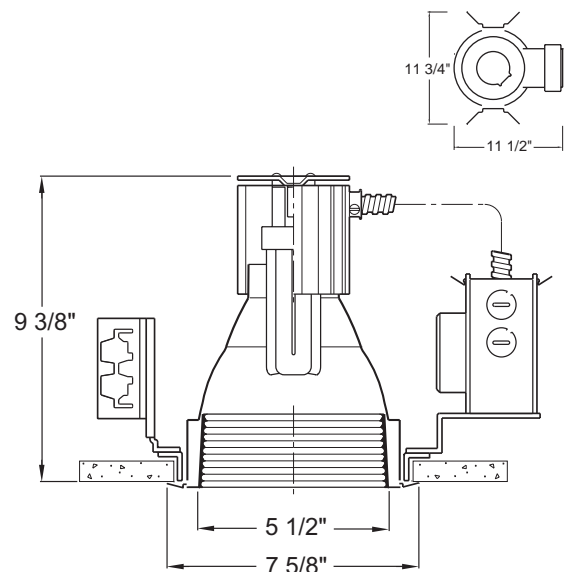
Mounting Bracket Rough-in section equipped with vertically adjustable mounting brackets (up to 3") that accept ½" conduit or "C" channels (HB-26 or HB-50) or linear flat bars (LB-27).

Junction Box Pre-wired junction box provided with (5)½" and (1)¼" knockouts, U.L. listed/CSA certified for through branch wiring, maximum 8 No. 12 AWG 90° C branch circuit conductors (4 in, 4 out) • Junction box provided with removable access plates • Knockouts equipped with pryout slots.

Mounting Frame 16-gauge galvanized steel mounting ring with factory installed reflector mounting clips • Rough-in section (junction box, mounting frame and socket assembly) fully assembled for ease of installation • Accommodates 7/8" ceiling thickness maximum.

8 of these have PLK-E battery

DIMENSIONS



6 7/8" CEILING CUTOUT

ENGINEERING DATA

	120V-HPF/32W	277V-HPF/32W	347V-HPF/32W Canada
Total input power	36W	36W	37W
Operating AMPS	.30A	.13A	.11A
Power Factor	>.98	>.98	>.98
T.H.D.	<10%	<10%	<10%
Min. starting temperature	0°F/ -18°C	0°F/ -18°C	0°F/ -18°C
Crest Factor	<1.65	<1.65	<1.65
Ballast Factor	.98	.98	1.00

ACCESSORIES

Catalog No.	Description
HB-26	Two 26" C-channel bar hangers
HB-50	Two 50" C-channel bar hangers
LB-27	Two 27" linear bar hangers
PLK-E	13-42W emerg. power kit (Elect. Ballast)

To order, specify catalog number.

PRODUCT CODES

Catalog Number	Reflector Finish	Ballast	Wattage and Lamp
CV6-126/32T-601B-WH	Black Baffle/Clear Alzak	HPF 120V - 277V, Elect.	26W or 32W Triple Tube CFL
CV6-126/32T-601W-WH	White Baffle/Clear Alzak	HPF 120V - 277V, Elect.	26W or 32W Triple Tube CFL

OPTIONS

(Add as suffix to housing or trim)

Catalog No.	Description
347	347V, HPF Electronic Ballast
DB120	120V Dimming Ballast
DB277	277V Dimming Ballast

For 347 or DB120 or DB277, specify wattage.
Ordering Example: CV6-126/32T-347-601B-WH

PHOTOMETRIC REPORT

Test Report #: LTL02495P

Catalog No: CV6-126/32T-601B-WH

Total Luminaire Efficiency: 48.0%

Luminaire Spacing Criterion: 1.1

Luminaire: Recessed Black Baffled Aperture Downlight

Lamp: One 32W Triple Tube CFL lamp rated @ 2400 lumens

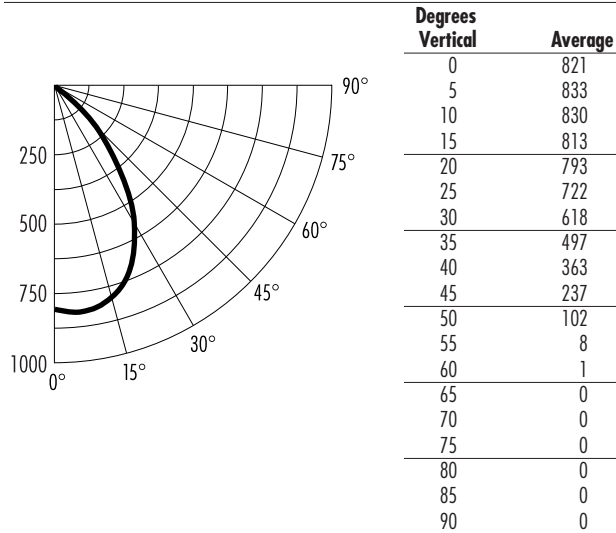
6" VERTICAL CFL DOWNLIGHT

BAFFLED APERTURE

One 26W or 32W Triple Tube

CV6-126/32T-601B, -601W

CANDLEPOWER DISTRIBUTION (Candelas)



*Multiplier: 26W - 0.75, White Baffle - 1.10

LUMINANCE (Average cd/m²)

Degrees	Average Luminance
45	16,304
55	678
65	0
75	0
85	0

ZONAL LUMEN SUMMARY

Zone	Lumens	%Lamp	%Fixture
0-30°	639	27	56
0-40°	946	40	82
0-60°	1147	48	100
0-90°	1147	48	100
90-180°	0	0	0
0-180°	1147	48	100

COEFFICIENTS OF UTILIZATION – % (Zonal Cavity Method) Effective Floor Cavity Reflectance 20% (ρ_{fc})

RCR	ρ_{cc} ρ_w	80			70			50			30			10			0
		50	30	10	50	30	10	50	30	10	50	30	10	50	30	10	0
0		57	57	57	56	56	56	53	53	53	51	51	51	49	49	49	48
1		53	51	50	52	51	50	50	49	48	48	47	47	46	46	45	44
2		49	47	45	48	46	44	46	45	43	45	43	42	43	42	41	41
3		45	42	40	44	42	40	43	41	39	42	40	39	41	39	38	37
4		41	38	36	41	38	36	40	37	36	39	37	35	38	36	35	34
5		38	35	33	38	35	33	37	34	33	36	34	32	35	33	32	31
6		36	32	30	35	32	30	34	32	30	34	31	30	33	31	29	29
7		33	30	28	33	30	28	32	29	27	31	29	27	31	29	27	26
8		31	28	26	31	28	25	30	27	25	29	27	25	29	27	25	24
9		29	26	24	29	26	24	28	25	23	28	25	23	27	25	23	23
10		27	24	22	27	24	22	26	24	22	26	24	22	26	23	22	21

ρ_{cc} – Ceiling Cavity Reflectance (%) ρ_w – Wall Reflectance (%)

INITIAL FOOTCANDLES

One Unit, 32 Watt, 79° Beam

Footcandles Beam Edge	Footcandles Beam Center	Beam Diameter	Distance to Illuminated Plane (Feet)
5.2	22.8	9.9'	6
2.9	12.8	13.2'	8
1.9	8.2	16.5'	10
1.3	5.7	19.8'	12
1.0	4.1	23.1'	14
0.7	3.2	26.4'	16
0.6	2.5	29.7'	18
0.5	2.1	33.0'	20

(Beam Edge defined as 50% of Maximum Nadir Candlepower)

AVERAGE INITIAL FOOTCANDLES

Multiple Units (Square Array)

Spacing	Ceiling 80% Wall 50% Floor 20%		
	RCR1	RCR4	RCR8
5.0'	51	39	30
6.0'	35	27	21
7.0'	26	20	15
8.0'	20	15	12
9.0'	16	12	9
10.0'	13	10	7
12.0'	9	7	5

*Note: Multipliers are provided for estimating purposes only. Use IES photometric files for precise photometric information.



1300 S. Wood Road, P.O. Box 5065, Des Plaines, IL 60017-5065 Phone 847.827.9880 FAX 847.827.2925

220 Chrysler Dr., Brampton, Ontario, Canada, L6S 6B6 Phone 905.792.7335 FAX 905.792.0064

Visit us at www.junolighting.com

Printed in U.S.A. ©1999 Juno Lighting, Inc.