



ARCHITECTURAL OUTDOOR

NIBLICK POLY



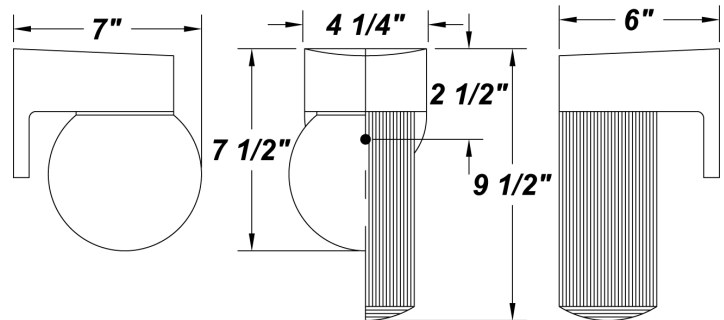
COMPACT FLUORESCENT

PROJECT :
TYPE :
ORDERING # :
COMMENTS :

TERON SERIES

FEATURES

- Black Polycarbonate Housing
- White Ribbed Polycarbonate Jar Diffuser
- Lamps Included
- Mounts Directly to 4" Junction Box (By Others)
- Mounting Hardware Included
- ETL Listed Wet Location



ORDERING INFORMATION

Example : (PNK126X - 120E-JW)

Black is Standard Finish

PRODUCT	SOURCE/WATTAGE	VOLTAGE	DIFFUSER	FINISH	OPTIONS
PNK126X					
Niblick Poly	PNK113 - (1) 13W 2-Pin Biax Magnetic Only PNK213 - (2) 13W 2-Pin Biax Magnetic Only PNK118Q - (1) 18W QE PNK126Q - (1) 26W QE PNK126X - (2) 26W TBX	120N - 120V NPF 120E - Electronic 120V 277E - Electronic 277V NOTE: 277V Magnetic NOT Available	JC - Clear Jar Polycarbonate Lens (Standard) JW - White Jar Polycarbonate Lens GC - Clear 6" Ribbed Polycarbonate Globe (Available for 13W Fixtures Only) GW - White 6" Polycarbonate Globe (Available for 13W Fixtures Only)	Not Applicable	41K - 4100K Color Temp. 35K - 3500K Color Temp. 27K - 2700K Color Temp. (Standard) F - Fused PCL120 - Photocell 120V PCL277 - Photocell 277V EBR - Remote Mount Battery (Field Installed)*

REPLACEMENT PARTS

PART NO.

Clear Ribbed Jar Polycarbonate Diffuser	34024
White Ribbed Jar Polycarbonate Diffuser	3402460
Clear 6" Ribbed Polycarbonate Globe Diffuser	34030
White 6" Polycarbonate Globe Diffuser	3402960

NOTES

***Emergency Battery Options**

Initial light output in Emergency mode will last for a minimum of 90 minutes. 1 lamp wired unless ordered otherwise. The following are suitable for indoor and damp locations. Please refer to Bodine's specification sheet

EBR:

Bodine's BDL940C (Electronic) - Temperature Rating (Ambient) 32° F - 122° F
 Bodine's B413 (Magnetic) - Temperature Rating (Ambient) 32° F - 122° F

We reserve the right to revise the design or components of any product due to parts availability or change in UL standards, without assuming any obligation or liability to modify any products previously manufactured, and without notice.

ARRA 2009



BUY AMERICA ACT