



1303 Fones Road
Olympia, WA 98501

FROM:
PHONE:
EMAIL:

LETTER OF TRANSMITTAL

DATE: 10/9/12 PROJECT: POPEYES
TO: OTI
ATTN: MARK

<input type="checkbox"/> PLANS	<input checked="" type="checkbox"/> SUBMITTALS	<input type="checkbox"/> SAMPLES
<input type="checkbox"/> SPECIFICATIONS	<input type="checkbox"/> RE-SUBMITTALS	<input type="checkbox"/> PURCHASE ORDER
<input type="checkbox"/> ADDENDUM(S)	<input type="checkbox"/> SHOP DRAWINGS	<input type="checkbox"/> CHANGE ORDER
<input type="checkbox"/> PRINTS	<input type="checkbox"/> CATALOG CUTS	<input type="checkbox"/> O & M'S

COPIES	DATED	DESCRIPTION
1	10/10/12	POPEYES LIGHTING SUBMITTALS
		SUBJECT TO APPROVAL

THE RELEASE OF THE LIGHTING FIXTURE PACKAGE WILL BE BASED ON THE APPROVALS PROVIDED BY THE CONTRACTOR.

WE STRONGLY ENCOURAGE THE CONTRACTOR TO REVIEW THE APPROVALS AND SUBMITTALS PRIOR TO RELEASING THE PACKAGE. IT IS THE CONTRACTOR'S RESPONSIBILITY TO MEET THE PLANS AND SPECIFICATIONS FOR THE PROJECT.

PLEASE RETURN 1 SET(S) OF APPROVED SUBMITTALS PRIOR TO RELEASE



FEATURES & SPECIFICATIONS

INTENDED USE — Low-profile static luminaire provides general illumination for recessed applications; Ideal for restricted plenum spaces.

Certain airborne contaminants can diminish integrity of acrylic. [Click here for Acrylic Environmental Compatibility table for suitable uses.](#)

ATTRIBUTES — Designed exclusively for use with T8 lamps, electronic ballasts and sockets.

CONSTRUCTION — Smooth hemmed sides and smooth, inward formed end flanges for safe handling. Lighter weight fixture allows for safe, easy installation.

Standard steel door frame has superior structural integrity with premium extruded appearance and precision flush mitered corners. Steel door allows easy lens replacement without frame disassembly (for lenses up to .156" thick). Powder painted, steel latches provide easy, secure door closure.

Superior mechanical light seal requires no foam gasketing. Integral T-bar clips secure fixture to T-bar system. Housing formed from cold-rolled steel. Acrylic shielding material 100% UV stabilized. No asbestos is used in this product.

FINISH — Five-stage iron-phosphate pretreatment ensures superior paint adhesion and rust resistance. Painted parts finished with high-gloss, baked white enamel.

ELECTRICAL — Standard ballast is electronic, thermally protected, resetting, Class P, HPF, non-PCB, UL Listed, CSA certified ballast, universal voltage and sound rated A.

Luminaire is suitable for damp locations. AWM, TFN or THHN wire used throughout, rated for required temperatures.

LISTING — Standard: UL. Optional: Canada — CSA or cUL; Mexico — NOM.

WARRANTY — Guaranteed for one year against mechanical defects in manufacture.

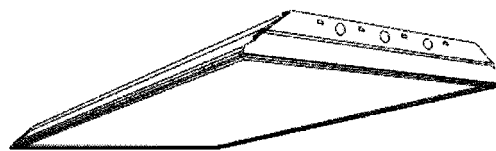
US patents: 6,210,025; 6,231,213; 2,288,471.

Note: Specifications subject to change without notice.

Catalog Number	2GT8 332 A12 1/3 GEB10IS
Notes	
Type	A

General Purpose T8 Troffer

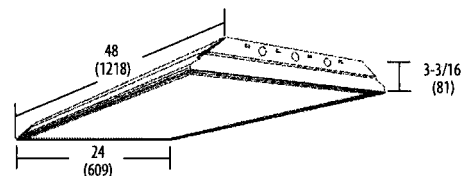
GT8 2'x4'



2, 3 or 4 Lamps



Specifications
 Length: 48 (1218)
 Width: 24 (609)
 Depth: 3-3/16 (81)
 Weight: 22 lbs (9.9 kg)



All dimensions are inches (millimeters).

ORDERING INFORMATION For shortest lead times, configure products using **bolded options**.

Example: 2GT8 2 32 A12 MVOLT GEB10IS

Series	Trim type	Number of lamps	Lamp type	Door frame	Diffuser type	Voltage	Options ¹
2GT8	2" wide (blank) Grid F Overlapping flanged	2	32 32W T8 (48")	(blank) Flush steel, white	A12 #12 pattern acrylic	120	1/4 One 4-lamp ballast
		3		FN Flush aluminum, natural	A12125 #12 pattern acrylic, .125" thick	277	1/3 One 3-lamp ballast
		4		FM Flush aluminum, matte black	A19 #19 pattern acrylic, .156" thick	347	GEB10IS Electronic ballast, <10% THD, instant start
		Not included		FW Flush aluminum, white	A15 #15 pattern acrylic, .2" thick	MVOLT	GEB10RS Electronic ballast, <10% THD, rapid start
				RN Regressed aluminum, natural	PC1S 1/2" x 1/2" x 1/2" plastic cube louver, silver	Others available	EL Emergency battery pack (nominal 300 lumens)
				RM Regressed aluminum, matte black	PC2S 1-1/2" x 1-1/2" x 1" plastic cube louver, silver w/ flange ¹		EL14 Emergency battery pack (nominal 1400 lumens)
				RW Regressed aluminum, white	PC3S 3/4" x 3/4" x 1/2" plastic cube louver, silver		GLR Internal fast-blow fuse
							GMF Internal slow-blow fuse
							LST Tandem-wired fixture pairs (shared ballasts)
							PWS1836 6' prewire, 3/8" dia., 18-gauge, 1 circuit
				LP_ Lamped, specify lamp type and color			
				LP735 Lamped, 700-series, 3500K			
				LP741 Lamped, 700-series, 4100K			
				JP Palletized and stretch-wrapped without individual cartons; grid trim only			
				CSA CSA Certified			
				NOM NOM Certified			

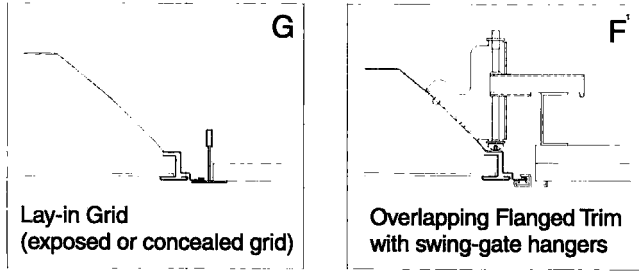
NOTES:

- Available with flush door frames only.
- MVOLT standard for 120-277V applications, 50-60 hz operation. Some options require voltage specified.

GT8 2'x4' Static T8 Troffer

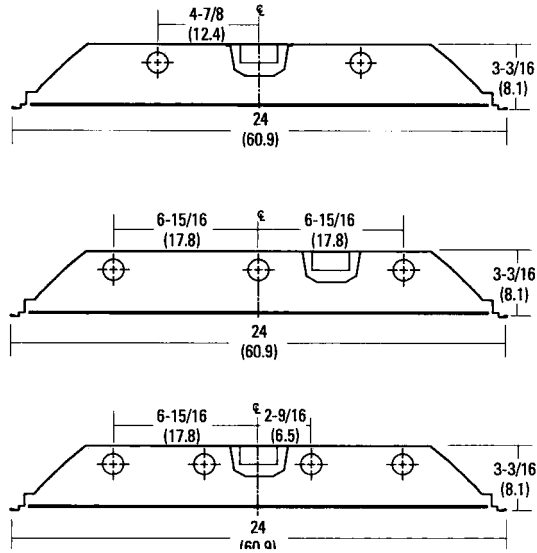
MOUNTING DATA

Continuous row mounting of flanged units requires CRE and CRM trim options (see Options).



NOTE:
 1 Recommended rough-in dimensions for F-trim fixtures 24"x48" (Tolerance is +1/4"-0"). Swing-gate range 1-3/16" to 3-15/16". Swing-gate span 23-3/8" to 26-11/16". Fixture swing-gate points require additional 1-1/16" over nominal fixture height.

DIMENSIONS



PHOTOMETRICS

Calculated using the zonal cavity method in accordance with IESNA LM41 procedure. Floor reflectances are 20%. Lamp configurations shown are typical. Full photometric data on these and other configurations available upon request.

2GT8 2 32 A12

Report LTL 7424

Lumens per lamp - 2850 - Lum. eff. - 81.7%

S/MH (along) 1.2 (across) 1.4

Coefficient of Utilization

Ceiling	80%			70%			50%		
	70%	50%	30%	70%	50%	30%	50%	30%	10%
0	97	97	97	95	95	95	91	91	91
1	89	86	82	87	84	81	80	78	76
2	82	75	70	80	74	69	71	67	63
3	75	67	60	73	65	59	63	58	54
4	69	59	52	67	58	52	56	51	46
5	63	53	46	62	52	46	51	45	40
6	59	48	41	47	47	40	46	40	35
7	54	44	37	53	43	36	42	36	31
8	51	40	33	49	39	33	38	32	28
9	47	37	30	46	36	30	35	29	25
10	44	34	27	43	33	27	32	27	23

2GT8 3 32 A12 1/3

Report LTL 7421

Lumens per lamp - 2850 - Lum. eff. - 80.1%

S/MH (along) 1.2 (across) 1.4

Coefficient of Utilization

Ceiling	80%			70%			50%		
	70%	50%	30%	70%	50%	30%	50%	30%	10%
0	95	95	95	93	93	93	89	89	89
1	88	84	81	85	82	79	79	76	74
2	80	74	69	78	72	68	70	66	62
3	74	66	59	72	64	58	62	57	53
4	68	58	52	66	57	51	55	50	46
5	62	52	45	61	52	45	50	44	40
6	58	47	40	56	47	40	45	39	35
7	54	43	36	52	42	36	41	35	31
8	50	39	33	49	39	32	38	32	28
9	47	36	30	45	36	29	35	29	25
10	44	33	27	43	33	27	32	27	23

2GT8 4 32 A12 1/4

Report LTL 7425

Lumens per lamp - 2850 - Lum. eff. - 78.6%

S/MH (along) 1.2 (across) 1.4

Coefficient of Utilization

Ceiling	80%			70%			50%		
	70%	50%	30%	70%	50%	30%	50%	30%	10%
0	94	94	94	91	91	91	87	87	87
1	86	82	79	84	81	78	77	75	73
2	79	73	68	77	71	67	68	64	61
3	72	64	58	70	63	57	61	56	52
4	66	57	51	65	56	50	54	49	45
5	61	51	45	60	51	44	49	43	39
6	57	47	40	55	46	39	44	39	34
7	53	42	36	51	42	35	40	35	31
8	49	39	32	48	38	32	37	31	27
9	46	35	29	45	35	29	34	29	25
10	43	33	27	42	32	27	32	26	22

Zonal Lumens Summary

Zone	Lumens	%Lamp	%Fixture
0-30	1372	24.1	29.4
0-40	2277	39.9	48.9
0-60	3907	68.5	83.9
0-90	4658	81.7	100.0
90-180	0	0	0
0-180	4658	81.7	100.0

Zonal Lumens Summary

Zone	Lumens	%Lamp	%Fixture
0-30	2066	24.2	30.2
0-40	3412	39.9	49.8
0-60	5768	67.5	84.2
0-90	6851	80.1	100.0
90-180	0	0	0
0-180	6851	80.1	100.0

Zonal Lumens Summary

Zone	Lumens	%Lamp	%Fixture
0-30	2718	23.8	30.3
0-40	4481	39.3	50.0
0-60	7553	66.3	84.2
0-90	8965	78.6	100.0
90-180	0	0	0
0-180	8965	78.6	100.0



GT8-2X4

12" SQUARE RECESSED – LENS

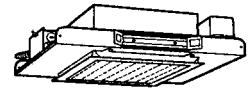
MHSQ12

SUBMITTAL:

JOB: POPEYES

TYPE: D

VOLTAGE:



EXAMPLE

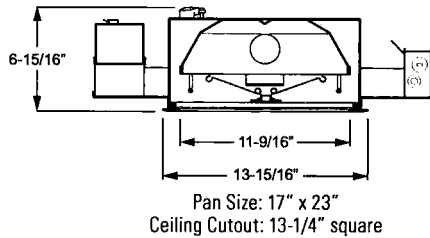
MHSQ12 - 100PS - ED17/MED - OPTIONS - MB1 - 120

SERIES WATTAGE LAMP BASE OPTIONS BALLAST VOLTAGE

SERIES

FEATURES

- ▶ Adjustable to accommodate ceilings up to 2" thick.
- ▶ Die-cast aluminum door with neoprene gasketing and textured white powder coat standard.
- ▶ Clear prismatic glass lens standard.
- ▶ Sturdy one-piece pan construction.
- ▶ Adjustable hanger brackets with bar hangers standard.
- ▶ Easy access 14-gauge galvanized steel junction box with two snap-on covers.
- ▶ This fixture is proudly made in the USA.



MHSQ12 SERIES

HOUSING — 20-gauge die-formed galvanized steel pan/plaster frame.

DOOR FRAME — Die-cast aluminum with neoprene gasket and textured matte white polyester TGIC powder coat.

REFLECTIVE SURFACES — Highly reflective white powder coat bonded to phosphate-free, multi-stage pretreated metal.

SHIELDING — Clear prismatic tempered glass lens standard.

ELECTRICAL — Porcelain socket. Prewired at factory for easy field installation. Electronic ballast: Rated 0°F minimum starting temperature. Magnetic ballast: Rated -20°F minimum starting temperature.

MOUNTING — Recessed.

LAMP OPTIONS (Must specify)

Wattage	Lamp Base
50PS	ED17/MED
70PS	
100PS	
150PS ¹	

¹ Available with electronic ballast (EB1) only.

OPTIONS

BS	Baffled splay	QRS²	Quartz restrike ²
SS	Smooth splay	TP³	Tamper-resistant ³
F	Fuse (must specify voltage)	WG	Wireguard

² Restrike lamp by others. Must not exceed lamp wattage for MB1. Consult factory for EB1.

³ This option requires tamper-resistant tool (must be ordered separately). Please specify quantity required per project.

BALLAST TYPE (Must specify voltage)

MB1	1-lamp magnetic ballast
EB1	1-lamp electronic ballast

VOLTAGE (Must specify)

120	120V
277	277V

COOPER LIGHTING - LUMARK®

DESCRIPTION

The Lumark Falcon is a stylish and rugged luminaire that combines value and performance with a soft, architecturally appealing form. This soft rounded corner, die-cast construction is excellent for applications that have a high visibility and where a uniform beam distribution is desired. The Falcon floodlight can be wall or pole mounted, making it ideal for all commercial, industrial and residential low wattage floodlighting applications.

Catalog #		Type
Project		DI
Comments		Date
Prepared by		

SPECIFICATION FEATURES

Construction

DOOR + LATCH: Tempered glass lens is impact and thermal shock resistant. Easily released die-cast aluminum doorframe with stainless steel toolless latch allows easy access for re-lamping. Enclosure latch can be secured with a single point stainless steel screw, provided, or with optional vandal resistant head. **HOUSING:** Die-cast aluminum housing is finished in weather and abrasion resistant dark bronze polyester powder paint. Optional colors are available. **GASKET:** Full-circumference

silicone gasket seals out external contaminants.

Electrical

SOCKET: Pulse rated, 4KV, medium-base porcelain lamp socket standard for HID. Electronic compact 4-pin fluorescent sockets standard for CF lamp options.

Optical

REFLECTOR: Formed aluminum hammered reflector optimized beam efficiency and control.

Mounting

Adjustable ANSI 1G rated stem mounting arm fits 1/2" NPS outlet box cover. (RBC round outlet box cover not included, order separately). Optional heavy-gauge steel adjustable trunnion mounting provides additional durability when required.



SF FALCON

35 - 150W

Pulse Start Metal Halide

Metal Halide

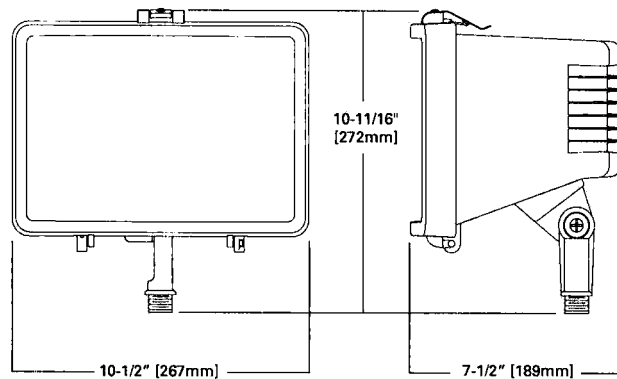
High Pressure Sodium

26 - 70W

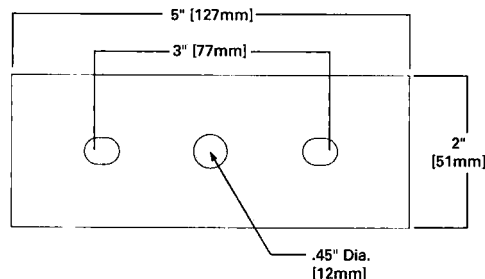
Compact Fluorescent

LOW WATTAGE FLOODLIGHT

DIMENSIONS



TRUNNION-MOUNT DRILLING DIMENSIONS



LAMP TYPE	WATTAGE
Pulse Start Metal Halide (MP)	150W
Metal Halide (MH)	50, 70, 100, 175W
High Pressure Sodium (HP)	35, 50, 70, 100, 150W
Compact Fluorescent (CF)	(1) 26, (1) 32, (1) 42, (2) 26, (1) 57, (1) 60 (2) 32, (1) 70W

TECHNICAL DATA

U.L. Wet Location Listed
25°C Maximum Ambient Temperature
External Supply Wiring 60°C Minimum

ENERGY DATA

Reactor Ballast Input Watts

35W HPS NPF (46 Watts)
50W HPS NPF (58 Watts)
70W HPS NPF (82 Watts)
100W HPS NPF (115 Watts)
150W HPS NPF (175 Watts)

High Reactance Ballast Input Watts

50W HPS HPF (66 Watts)
50W MP HPF (72 Watts)
70W HPS HPF (95 Watts)
70W MP HPF (90 Watts)
100W HPS HPF (130 Watts)
100W MP HPF (129 Watts)
150W HPS HPF (190 Watts)
150W MP HPF (185 Watts)

CWA Ballast Input Watts

175W MH HPF (210 Watts)

Electronic Ballast Input Watts

26W CF HPF (29 Watts)
32W CF HPF (36 Watts)
42W CF HPF (46 Watts)
52W CF HPF (54 Watts)
57W CF HPF (59 Watts)
60W CF HPF (70 Watts)
64W CF HPF (68 Watts)
70W CF HPF (75 Watts)

SHIPPING DATA

Approximate Net Weight:
18 lbs. (8 kgs.)



ORDERING INFORMATION

Sample Number: MPSF-T-70H-120V



Lamp Type

MP=Pulse Start Metal Halide
MH=Metal Halide¹
HP=High Pressure Sodium
CF= Compact Fluorescent

Series

SF= Falcon

- Notes:**
- All HID lamps are medium base. 175W MH is available for non U.S. markets only.
 - 150W Pulse Start Metal Halide available in High Power Factor Ballast only. High Power Factor Ballast is required on all MP and MH and CF products.
 - High Pressure Sodium only.
 - 120V Only.
 - Products also available in non-US voltages and 50HZ for international markets.
 - Reactor ballasts used for HP lamps when specified.
 - Not available in Canada.
 - Canada only.
 - Compact Fluorescent lamps only. In cold temperatures, compact fluorescent lamps produce lower illumination levels.
 - 100W Metal Halide maximum.
 - Order separately, replace XX with color specification.

Mounting

T=Trunnion
K=Knuckle

Lamp Wattage ¹

MP
50=50W
70=70W
100=100W
150= 150W²
MH
175= 175W³
HP
35= 35W^{3,4}
50= 50W
70= 70W
100= 100W
150= 150W
CF
28=(1) 26W
32=(1) 32W
42=(1) 42W
52=(2) 26W
57=(1) 57W
60=(1) 60W
64=(2) 32W
70=(1) 70W

Ballast

H=High Power Factor²
_=Normal Power Factor

Voltage ⁵

120V= 120V⁶
208V= 208V⁷
240V= 240V⁷
277V= 277V
347V= 347V⁸
480V= 480V
DT= Dual-Tap
MT= Multi-Tap, wired 277V
TT= Triple-Tap, wired⁸ 347V
E= Electronic (120-277V)⁹

Options

LL=Lamp Included (Must Specify Wattage with Fluorescent)
TR=Tamper Resistant Screws
PE= Internal Photocontrol (Specify Voltage)
PC= Button Type Photocontrol
F= Single Fuse (120, 277 or¹⁰ 347V. Specify Voltage)
FF= Double Fuse (208, 240 or¹⁰ 480V. Specify Voltage)

Accessories ¹¹

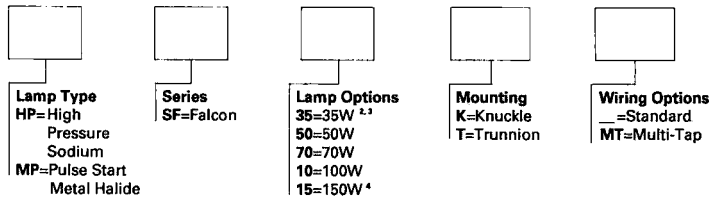
TYS-XX=Trunnion or Yoke Slipfitter for 2 3/8", 3", or 3 1/2" O.D. Tenon
FA5-XX=2" Slipfitter for Trunnion Fixture
RAB-XX=Right Angle Pipe Bracket for Slipfitter
SAB-XX= Steel Angle Bracket for Trunnion
PE/MT= Field Installed Photocontrol
RBC-XX= Round Outlet Box Cover
SFVS= Vandal Shield
SF/WG= Wire Guard
TRSD-4/32= Tamper-Resistant Screwdriver
SF/TR= Tamper-Resistant Screw
SFV-XX= Visor
SPK= Landscape Post (Standard Color Dark Gray)

VOLTAGE CHART

DT=Dual-Tap	120/277 (wired 277V)
MT=Multi-Tap	120/208/240/277 (wired 277V)
TT=Triple-Tap	120/277/347 (wired 347V)
E=Electronic Ballast (CF only)	120-277V (wired 277V) (50/60 HZ)

STOCK SAMPLE NUMBER (LAMP INCLUDED): HIGH PRESSURE SODIUM AND PULSE START METAL HALIDE

SAMPLE NUMBER: MPSF10K-MT



Lamp Type
HP= High Pressure Sodium
MP=Pulse Start Metal Halide

Series
SF=Falcon

Lamp Options
35=35W^{1,2}
50=50W
70=70W
10=100W
15=150W⁴

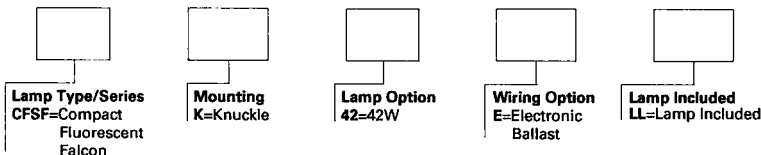
Mounting
K=Knuckle
T=Trunnion

Wiring Options
_=Standard
MT=Multi-Tap

Note:
Refer to In-Stock Guide for availability.

STOCK SAMPLE NUMBER (LAMP INCLUDED): COMPACT FLUORESCENT

SAMPLE NUMBER: CFSF-K-42-E-LL



Lamp Type/Series
CFSF=Compact Fluorescent Falcon

Mounting
K=Knuckle

Lamp Option
42=42W

Wiring Option
E=Electronic Ballast

Lamp Included
LL=Lamp Included

NOTES [stock]: Options not available with stock products. Order Accessories as separate items for field installation. Refer to standard ordering information to add options and accessories. Refer to In-Stock Guide for availability.



FEATURES & SPECIFICATIONS

INTENDED USE

Building-mounted light for entrances, stairwells and corridors. Non-cutoff. Incandescent, fluorescent and high pressure sodium sources. **Certain airborne contaminants can diminish integrity of acrylic.** [Click here for Acrylic Environmental Compatibility table for suitable uses.](#)

CONSTRUCTION

Die-cast aluminum housing with decorative polycarbonate lens.

Bracket fixture mounts to junction boxes. Medium base lamp included for HPS. Double twin tube for fluorescent. Globe and cylinder-shaped lens are included with each fixture.

LISTING

Listed and labeled to UL standards for wet locations. Listed and labeled to CSA standards. 25°C maximum ambient temperature.

WARRANTY

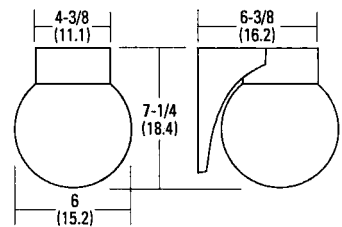
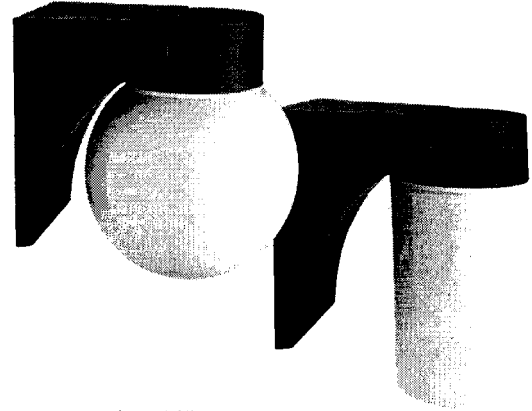
Fixtures are covered by Lithonia Lighting 24-month warranty against mechanical defects in manufacture.

Note: Specifications subject to change without notice.

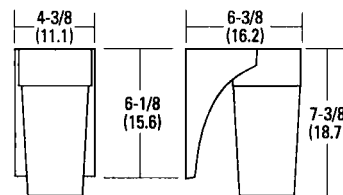
Catalog Number	JJ13L 120 M6
Notes	
Type	E

Contractor Select

Entry Lights



Globe



Cylinder

All dimensions are inches (centimeters).

ORDERING INFORMATION

Catalog Number	UPC	Description	Wattage	Voltage	Finish	Lamp Included	Approx. Weight (lbs)	Pallet Qty	Standard Carton Qty
JJ100I M6	745974487142	Incandescent entry light	100	120	Dark bronze	N	3	72	6
JJ100IW M6	745974487227	Incandescent entry light	100	120	White	N	3	72	6
JJ13L 120 M6	745974487173	Fluorescent entry light	13	120	Dark bronze	Y	3	72	6
JJ13LW 120 M6	745974487258	Fluorescent entry light	13	120	White	Y	3	72	6
JJ50SL 120 M6	745974487203	HPS entry light	50	120	Dark bronze	Y	4	72	6
JJ50SLW 120 M6	745974487296	HPS entry light	50	120	White	Y	4	72	6

COOPER LIGHTING - SURE-LITES®

DESCRIPTION

Flame and impact resistant injection molded thermoplastic PAR36 type lampholders. Available in White, Grey and Black finishes (specify color when ordering.) Heads adjust 80° from vertical with 358° rotation. supplied complete with thermoplastic lampholder housings, swivel, lamp and 5" diameter mounting plate. Universal mounting plate has three knockouts for mounting lampholders on either side or in center position. For double head remotes, specify two Universal Remote Head Assemblies. UL 924 Listed, CSA certified.

Catalog #		Type
Project		ER
Comments		Date
Prepared by		

SPECIFICATION FEATURES

Electrical

- 6V DC and 12V DC
- Input Voltage

Lampholder/Mounting Plate Construction

- Flame resistant and impact resistant injection molded thermoplastic PAR36 type lampholders.
- Die cast, gasketed mounting plate.
- Sealed swivel and coated lamp terminals resist oil, water and dust.
- Available in standard industrial white finish - specify color when ordering; other finishes available.

- Finish code suffix must be added to Catalog Number to designate color.
- Lamp heads adjust 80° from vertical with 358° rotation.
- Supplied complete with thermoplastic lampholder housings, swivel, lamp, and 5" diameter die cast, grey finished, gasketed mounting plate.
- Designed to perform in wet location environments
- Use WG8 Wire Guard for single head remotes; use WG9 Wire Guard for double head remotes.

Code Compliance

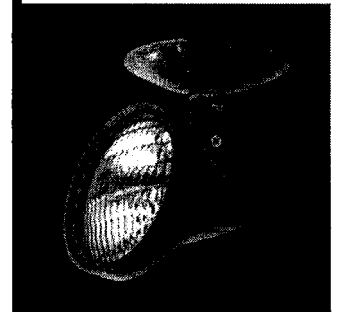
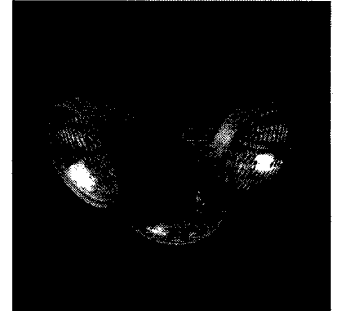
- UL924 Listed
- UL Wet Location Listed

Warranty

- Unit: 1-year

Lamp Data

- 6 and 12 Volt Halogen Sealed Beam.
- 6 and 12 Volt Incandescent Sealed Beam.
- 6 and 12 Volt Wedge Base Incandescent Sealed Beam Features a wedge base lamp incorporated into a unique sealed beam unit.
- Consult factory for other lamp types (See Technical Information Section).



6V, 12V PLASTIC WEATHERPROOF

SINGLE AND DOUBLE HEAD REMOTES
EMERGENCY LIGHTING

ORDERING INFORMATION

12T12DWWH

12	T	12	D	W	WH	
Voltage 6: 6 Volt 12: 12 Volt	Lamp Type T: Halogen X: Incandescent	Wattage 54: 5.4 W 6: 6 W 7: 7.2 W 8: 8 W 9: 9 W 12: 12 W 25: 25 W	Remote Heads : Single Remote Head D: Double Remote Heads	Series W	Housing Finish WH BK GY	Accessories 1 Protective Housing WG8: Wire Guard for Single Head WG9: Wire Guard for Double Heads

Notes: 1 Order separately. * Alternate Lamps, Finishes and Options available. Consult your Cooper Lighting Representative.

TOTALLY PREDICTABLE
RELIABILITY

ENERGY DATA

Power Consumption is equal to lamp wattage.

EX

Labor-Saving Exit/Unit Combos

Quantum®

LED Quick-Mount®



Intended Use

Suitable for applications requiring quick-installation of both exit sign and unit equipment. Attractive 10-inch tall, streamlined design is great for above-the-door applications and other tight fits.

Features

UV-stabilized thermoplastic housing resists discoloration from sunlight and man-made sources.

Quick-Mount® installation. Innovative, snap-together design allows for installation in less than three minutes.

Factory assembled and prewired.

Replaceable chevron directional indicator knockouts for choice of direction.

Side-mount lamp heads reduce overall height, allowing for easy fit over doorways.

Long-life LEDs feature very low energy consumption and rated life up to 25 years.

Sealed, maintenance-free, lead-calcium battery standard. Nickel-cadmium battery optional.

Top, back or end mounting (canopy included).

Optional high-output battery (HO) to power a remote head or exit.

U.S. Patent No. 5,611,163, 5,646,502, 5,526,251, 5,797,673 and D379,373. Other patents pending.

Listings

UL Listed (standard). NOM Certified (see Options).

Ordering Information

Example: LHQM S W 1 R 120/277

Family	Face type	Housing color	Number of faces	Panel color	Input voltage	Options	Certification
LHQM LED exit/unit	S Stencil P Panel ¹	(blank) Black W White	1 Single 3 Single with extra faceplate and color panel	R Red G Green	120/277 Dual voltage	N Nickel-cadmium battery ² H Two 6W tungsten halogen lamps ^{2,3} HO High-output lead-calcium battery ⁴ RO Less lamp heads	(blank) UL Listed NOM NOM Certified

- NOTES:
 1 Special wording available on panel face, white housing only, see page 430.
 2 Choice of Hor N. Not available with both.
 3 Choice of Hor HO. Not available with both.
 4 For additional accessories, see page 431.

lightquick XD
 Express delivery products.
 See page 11 for details about LightQuick XD.

Description

LHQM S W 3 R 120/277
 LHQM S W 3 G 120/277

Accessories⁴ (Order separately)

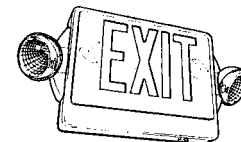
ELA MR24 K0606	Compact MR24 remote head (6W, 6V krypton lamp)
ELA MR24 K0906	Compact MR24 remote head (9W, 6V krypton lamp)
ELA NX H0606	NEMA 4X sealed-beam remote fixture (6W, 6V halogen lamp)

Remote Output Capacity

Family	Standard combo	Combo/ni-cad battery (N)	Combo/halogen lamps (H)	Combo/high-output battery (HO)	Combo/no heads (RO)	Combo/no heads (RO) & high-output battery (HO)
LHQM	NA	NA	NA	12 W	10.8 W	24.0 W

AC Lamp Description	Electrical Application Data							Catalog Number	Watts
	Electrical			Standard Lamp					
	Volts	Amps	Watts	Output Volts	1.5 hrs.	2 hrs.	3 hrs.		
LED Red	120	.23	3.3	6	14	10	7	MR24 K0606	5.4
	277	.23	3.3	6 (HO)	24	18	12		
LED Green	120	.23	3.3	6	14	10	7	MR24 K0606	5.4
	277	.23	3.3	6 (HO)	24	18	12		

Dimensions are shown in inches (millimeters) unless otherwise noted.



Width: 21-1/4(539)
 Depth: 4(102)
 Height: 9-7/8(250)
 Weight: 7.36lbs. (3.3 kgs.)



Catalog Number LP6FN26-42TRT 609AZ	
Notes	Type F

FEATURES & SPECIFICATIONS

INTENDED USE

Ideal for a wide variety of low- to medium-height ceiling applications including commercial, retail and hospitality spaces where an open or damp location lensed fixture is required.

CONSTRUCTION

Utilizes an extruded socket housing that attaches to the reflector via key hole mount, which provides superior heat dissipation and extended lamp life. Socket housing also adjusts to accommodate varying lamp lengths.

Heavy-gauge, die-formed galvanized steel mounting frame. Attached to frame are vertically adjustable mounting brackets for use with C channels, 1/2" steel conduit or 16-gauge flat bar hangers included, standard. Frames are equipped with galvanized junction box UL Listed for through-wire applications. Junction boxes equipped with (2) 3/4" and (4) 1/2" conduit knockouts with pryout slots and removable access doors.

Reflector clips packed with reflector for installation on rough-in.

Maximum 1-1/2" ceiling thickness.

OPTICS

Aluminum full reflectors are optically designed to maximize lumen output and to provide superior glare control. Anodized finishes for open reflectors are semi-specular or diffuse in a variety of colors. Polyester powder coat finishes also are available in white.

Lenses are available in clear flat glass, tempered prismatic glass or polycarbonate to provide optimal visual comfort and improved aesthetics. Lens is recessed 7/8 (2.2) from flange.

ELECTRICAL

Electronic ballast with end of lamp life protection standard. Class P thermally protected ballast protects against improper contact with insulation. Minimum starting temperature is 0°F/-18°C.

Rated for #12 AWG conductor thru-branch wiring. Minimum 90° supply wire. Ground wire provided.

Lamp Socket Base:

DTT 4-pin lamps – 13W (G24Q-1); 18W (G24Q-2); 26W (G24Q-3)

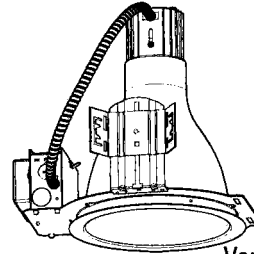
TRT 4-pin lamps – 13W (GX24Q-1); 18W (GX24Q-2); 26W & 32W (GX24Q-3); 42W (GX24Q-4)

LISTINGS

Fixtures are UL Listed for thru-branch wiring, Non-IC recessed mounting, damp location, and to U.S. and Canadian Safety Standards.

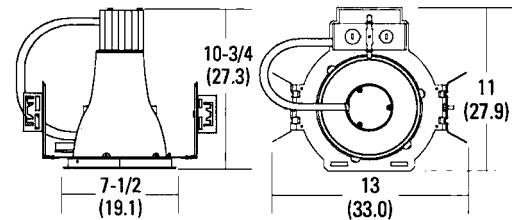
Compact Fluorescent Downlighting

6" LP6FN



OPEN REFLECTOR

Vertical 1-Lamp, Double Twin-Tube (DTT) or Triple-Tube (TRT)



Specifications

Max. height: 10-3/4 (27.3)

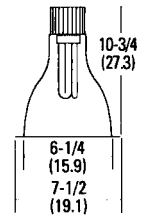
Ceiling opening: 7 (17.8)

Overlap trim: 7-1/2 (19.1)

Length: 13 (33.0)

Width: 11 (27.9)

All dimensions are inches (centimeters).



ORDERING INFORMATION

For shortest lead times, configure product using **standard options (shown in bold)**.

Example: LP6FN 26-42TRT 609A **MVOLT**

LP6FN						
Series	Wattage/lamp	Reflector/color	Lens type	Voltage	Options ⁵	
LP6FN	13DTT ¹	609 White open	(blank) No lens	MVOLT³	ADEZ	Advance Mark 10™ electronic dimming ballast, 120V or 277V. Must be voltage specific. Minimum dimming level 5%
	18DTT	609A Clear diffuse open	CGL Clear glass lens	120	ECOS	Lutron EcoSystem electronic dimming ballast, 120V - 277V. Must be wattage specific. Minimum dimming level 5%
	26DTT		T73 Tempered glass prismatic lens	277	EL	Emergency PSDL3 DL battery pack with integral test switch. Lens removal required before EL testing⁵
	13TRT ¹	609AZ Clear semi-specular open	PCL Clear polycarbonate lens	347 ⁴	ELR	Emergency PSDL3 DL battery pack with remote test switch⁵
	18TRT	609G Gold diffuse open			ELHL	Iota I-420-R High lumen output emergency battery pack. Internal test switch provided. Maximum average lumen output is 1300 (42W) ⁶
	26-42TRT²	609GZ Gold semi-specular open			ELRHL	Iota I-420-EM-B High lumen output emergency battery pack. Remote test switch provided. Maximum average lumen output is 1300 (42W) ⁶
	26TRT	609PR Pewter diffuse open			GMF	Single slow-blow fuse, must specify voltage
	32TRT				BDP	Ballast disconnect plug (meets codes that require in-fixture disconnect) ⁴
	42TRT	609WTZ Wheat semi-specular open			RIF1	Radio interference filter
					LBH	Less barhangers
					WLP	35K lamp (shipped separately)
					NSD	Sensor Switch nLight™ dimming relay ⁷
				TRW	White flange	

NOTES:

- Not available with ADEZ or ECOS.
- Not available with ECOS or WLP.
- Electronic multi-volt ballast capable of operating any line voltage from 120-277V, 50 or 60Hz.
- Not available with EL or ELR.
- Add 3" (7.6) to width and 4-1/2" (11.4) to length.
- Not recommended for field installation.
- One 5A relay with one 0-10 VDC dimming output, shipped installed. Requires additional nLight bus power supply.
- For additional options see lithonia.com.

Accessories

Order as separate catalog number

SCA6 Sloped ceiling adaptor. Degree of slope must be specified (10D, 15D, 20D, 25D, 30D)
Ex: SCA6 10D.

CTE6 Ceiling thickness extender is used when ceiling thickness is greater than 1-1/2 (3.8). Maximum thickness 2 (5.1).

6" LP6FN Vertical 1-Lamp, Double Twin-Tube (DTT) or Triple Tube (TRT), Open

Distribution Curve Distribution Data Output Data Coefficient of Utilization Illuminance Data at 30" Above Floor for a Single Luminaire

LP6FN 32TRT 609A MVOLT, (1) 32W TRT lamp, 2400 rated lumens, 1.0 s/mh, Test no. LTL11603

cp	Lumens	Zone	Lumens % Lamp	pf	20%						Task Height: 2.5ft.																																					
					pc	80%		70%		50%																																						
						50%	30%	50%	30%	50%		30%																																				
0	912	0° - 30°	623.0	26.0	0	61	61	59	59	57	57	Initial FC Mounting Center 50% beam - 55.0° 10% beam - 92.0° <table border="1"> <thead> <tr> <th>Height</th> <th>Beam</th> <th>Diameter</th> <th>FC</th> <th>Diameter</th> <th>FC</th> </tr> </thead> <tbody> <tr><td>8.0</td><td>30.1</td><td>5.7</td><td>15.1</td><td>11.4</td><td>3.0</td></tr> <tr><td>10.0</td><td>16.2</td><td>7.8</td><td>8.1</td><td>15.5</td><td>1.6</td></tr> <tr><td>12.0</td><td>10.1</td><td>9.9</td><td>5.1</td><td>19.7</td><td>1.0</td></tr> <tr><td>14.0</td><td>6.9</td><td>12.0</td><td>3.4</td><td>23.8</td><td>0.7</td></tr> <tr><td>16.0</td><td>5.0</td><td>14.0</td><td>2.5</td><td>28.0</td><td>0.5</td></tr> </tbody> </table>	Height	Beam	Diameter	FC	Diameter	FC	8.0	30.1	5.7	15.1	11.4	3.0	10.0	16.2	7.8	8.1	15.5	1.6	12.0	10.1	9.9	5.1	19.7	1.0	14.0	6.9	12.0	3.4	23.8	0.7	16.0	5.0	14.0	2.5	28.0	0.5
Height	Beam	Diameter	FC	Diameter	FC																																											
8.0	30.1	5.7	15.1	11.4	3.0																																											
10.0	16.2	7.8	8.1	15.5	1.6																																											
12.0	10.1	9.9	5.1	19.7	1.0																																											
14.0	6.9	12.0	3.4	23.8	0.7																																											
16.0	5.0	14.0	2.5	28.0	0.5																																											
5	943	0° - 40°	956.6	39.9	1	56	55	55	54	53	52																																					
15	782	0° - 60°	1214.7	50.6	2	51	49	50	48	49	47																																					
25	684	0° - 90°	1225.4	51.1	3	47	44	46	44	45	43																																					
35	538	90° - 180°	0.0	0.0	4	43	40	43	40	42	39																																					
45	311	0° - 180°	1225.4	*51.1	5	40	36	39	36	38	36																																					
55	23				6	37	33	36	33	36	33																																					
65	7				7	34	31	34	30	33	30																																					
75	2				8	32	28	31	28	31	28																																					
85	1				9	30	26	29	26	29	26																																					
90	0				10	28	24	27	24	27	24																																					

LP6FN 32TRT 609AZ MVOLT, (1) 32W TRT lamp, 2400 rated lumens, 1.0 s/mh, Test no. LTL11604

cp	Lumens	Zone	Lumens % Lamp	pf	20%						Task Height: 2.5ft.																																					
					pc	80%		70%		50%																																						
						50%	30%	50%	30%	50%		30%																																				
0	1032	0° - 30°	673.9	28.1	0	64	64	62	62	59	59	Initial FC Mounting Center 50% beam - 52.0° 10% beam - 91.4° <table border="1"> <thead> <tr> <th>Height</th> <th>Beam</th> <th>Diameter</th> <th>FC</th> <th>Diameter</th> <th>FC</th> </tr> </thead> <tbody> <tr><td>8.0</td><td>34.1</td><td>5.4</td><td>17.1</td><td>11.3</td><td>3.4</td></tr> <tr><td>10.0</td><td>18.3</td><td>7.3</td><td>9.2</td><td>15.4</td><td>1.8</td></tr> <tr><td>12.0</td><td>11.4</td><td>9.3</td><td>5.7</td><td>19.5</td><td>1.1</td></tr> <tr><td>14.0</td><td>7.8</td><td>11.2</td><td>3.9</td><td>23.6</td><td>0.8</td></tr> <tr><td>16.0</td><td>5.7</td><td>13.2</td><td>2.8</td><td>27.7</td><td>0.6</td></tr> </tbody> </table>	Height	Beam	Diameter	FC	Diameter	FC	8.0	34.1	5.4	17.1	11.3	3.4	10.0	18.3	7.3	9.2	15.4	1.8	12.0	11.4	9.3	5.7	19.5	1.1	14.0	7.8	11.2	3.9	23.6	0.8	16.0	5.7	13.2	2.8	27.7	0.6
Height	Beam	Diameter	FC	Diameter	FC																																											
8.0	34.1	5.4	17.1	11.3	3.4																																											
10.0	18.3	7.3	9.2	15.4	1.8																																											
12.0	11.4	9.3	5.7	19.5	1.1																																											
14.0	7.8	11.2	3.9	23.6	0.8																																											
16.0	5.7	13.2	2.8	27.7	0.6																																											
5	1060	0° - 40°	1022.7	42.6	1	59	57	58	56	55	54																																					
15	857	0° - 60°	1281.7	53.4	2	54	52	53	51	51	50																																					
25	727	0° - 90°	1285.0	53.5	3	50	47	49	46	48	45																																					
35	560	90° - 180°	0.0	0.0	4	46	42	45	42	44	41																																					
45	333	0° - 180°	1285.0	*53.5	5	42	39	42	38	41	38																																					
55	9				6	39	36	39	35	38	35																																					
65	2				7	36	33	36	32	35	32																																					
75	1				8	34	30	33	30	33	30																																					
85	0				9	31	28	31	28	31	28																																					
90	0				10	29	26	29	26	29	26																																					

LP6FN 32TRT 609AZ CGL MVOLT, (1) 32W TRT lamp, 2400 rated lumens, 1.1 s/mh, Test no. LTL15104

cp	Lumens	Zone	Lumens % Lamp	pf	20%						Task Height: 2.5ft.																																					
					pc	80%		70%		50%																																						
						50%	30%	50%	30%	50%		30%																																				
0°	685	0° - 30°	478	19.9	0	48	48	47	47	45	45	50% beam - 10% beam 57.4° - 92.5° Initial fc Mtg Center <table border="1"> <thead> <tr> <th>Ht</th> <th>Beam</th> <th>Diameter</th> <th>fc</th> <th>Diameter</th> <th>fc</th> </tr> </thead> <tbody> <tr><td>8</td><td>22.6</td><td>6</td><td>11</td><td>11</td><td>2</td></tr> <tr><td>10</td><td>12.2</td><td>8</td><td>6</td><td>16</td><td>1</td></tr> <tr><td>12</td><td>7.6</td><td>10</td><td>4</td><td>20</td><td>1</td></tr> <tr><td>14</td><td>5.2</td><td>13</td><td>3</td><td>24</td><td>1</td></tr> <tr><td>16</td><td>3.8</td><td>15</td><td>2</td><td>28</td><td>0</td></tr> </tbody> </table>	Ht	Beam	Diameter	fc	Diameter	fc	8	22.6	6	11	11	2	10	12.2	8	6	16	1	12	7.6	10	4	20	1	14	5.2	13	3	24	1	16	3.8	15	2	28	0
Ht	Beam	Diameter	fc	Diameter	fc																																											
8	22.6	6	11	11	2																																											
10	12.2	8	6	16	1																																											
12	7.6	10	4	20	1																																											
14	5.2	13	3	24	1																																											
16	3.8	15	2	28	0																																											
5°	693	0° - 40°	746	31.1	1	44	43	44	43	42	41																																					
15°	624	0° - 60°	962	40.1	2	41	39	40	38	39	37																																					
25°	566	0° - 90°	975	40.6	3	37	35	37	34	36	34																																					
35°	464	90° - 180°	0	0.0	4	34	32	34	31	33	31																																					
45°	278	0° - 180°	975	40.6	5	31	29	31	28	30	28																																					
55°	35				6	29	26	29	26	28	26																																					
65°	9				7	27	24	26	24	26	23																																					
75°	3				8	25	22	25	22	24	22																																					
85°	1				9	23	20	23	20	22	20																																					
90°	0				10	21	19	21	19	21	19																																					

LP6FN 32TRT 609AZ T73 MVOLT, (1) 32W TRT lamp, 2400 rated lumens, 1.1 s/mh, Test no. LTL15105

cp	Lumens	Zone	Lumens % Lamp	pf	20%						Task Height: 2.5ft.																																					
					pc	80%		70%		50%																																						
						50%	30%	50%	30%	50%		30%																																				
0°	1107	0° - 30°	665	27.7	0	61	61	59	59	57	57	50% beam - 10% beam 46.0° - 88.4° Initial fc Mtg Center <table border="1"> <thead> <tr> <th>Ht</th> <th>Beam</th> <th>Diameter</th> <th>fc</th> <th>Diameter</th> <th>fc</th> </tr> </thead> <tbody> <tr><td>8</td><td>36.6</td><td>5</td><td>18</td><td>11</td><td>4</td></tr> <tr><td>10</td><td>19.7</td><td>6</td><td>10</td><td>15</td><td>2</td></tr> <tr><td>12</td><td>12.3</td><td>8</td><td>6</td><td>18</td><td>1</td></tr> <tr><td>14</td><td>8.4</td><td>10</td><td>4</td><td>22</td><td>1</td></tr> <tr><td>16</td><td>6.1</td><td>11</td><td>3</td><td>26</td><td>1</td></tr> </tbody> </table>	Ht	Beam	Diameter	fc	Diameter	fc	8	36.6	5	18	11	4	10	19.7	6	10	15	2	12	12.3	8	6	18	1	14	8.4	10	4	22	1	16	6.1	11	3	26	1
Ht	Beam	Diameter	fc	Diameter	fc																																											
8	36.6	5	18	11	4																																											
10	19.7	6	10	15	2																																											
12	12.3	8	6	18	1																																											
14	8.4	10	4	22	1																																											
16	6.1	11	3	26	1																																											
5°	1144	0° - 40°	990	41.2	1	56	55	55	54	53	52																																					
15°	994	0° - 60°	1218	50.8	2	52	49	51	49	49	47																																					
25°	739	0° - 90°	1227	51.1	3	48	45	47	44	46	43																																					
35°	577	90° - 180°	0	0.0	4	44	41	43	40	42	40																																					
45°	357	0° - 180°	1227	51.1	5	41	37	40	37	39	36																																					
55°	27				6	38	34	37	34	36	34																																					
65°	8				7	35	32	35	31	34	31																																					
75°	2				8	33	29	32	29	32	29																																					
85°	0				9	30	27	30	27	30	27																																					
90°	0				10	29	25	28	25	28	25																																					





TYPE 2 G



28030-2R Julia Cylinder Glass Pendant

1Lt x 18w Self Ballasted Lamp (GU-24)

Bulb Type GU-24

Lamps Supplied Yes

Finish BS ORB **Glass** AMB ASKY BLWH COB OPL
RED RUSKY

H 17 to 55 **L** 10 **Dia** 4

Included 6+16+22 Rods, 10ft Cord, Slope Adapter

Optional Rods up to 10ft

CUL Dry Energy Efficient **Customize**

Components 23086FC+23130

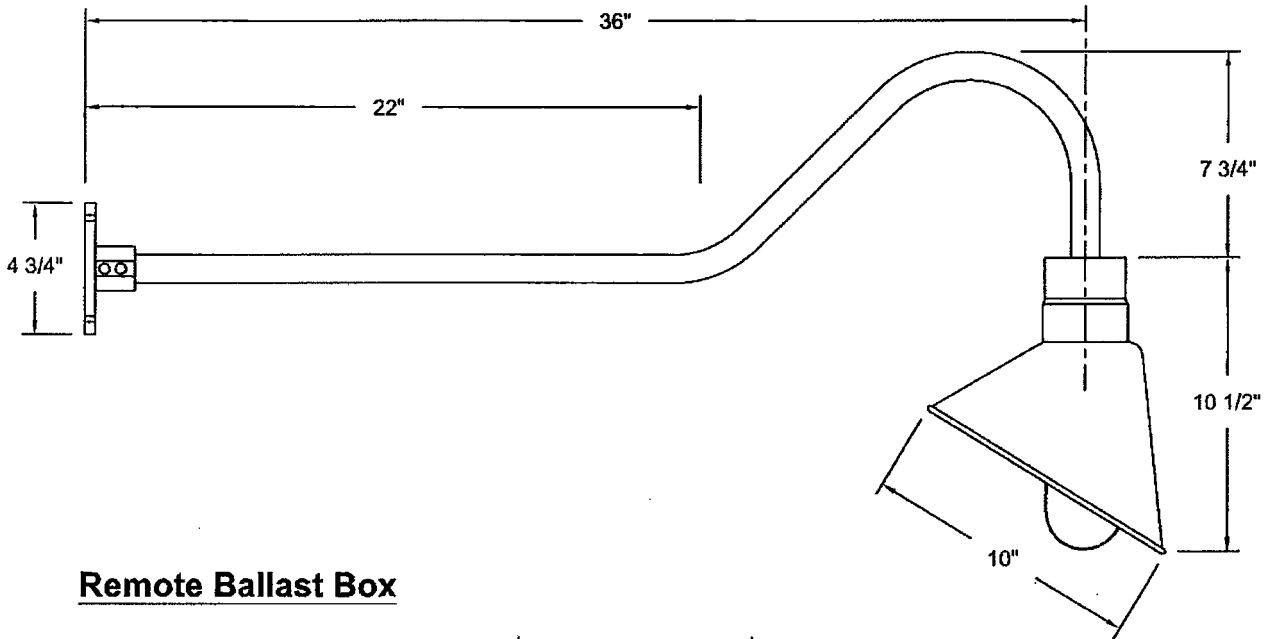
1200 Valencia Avenue • Tustin • California • 92780 • Phone 714.247.1270 • Fax 714.247.1351



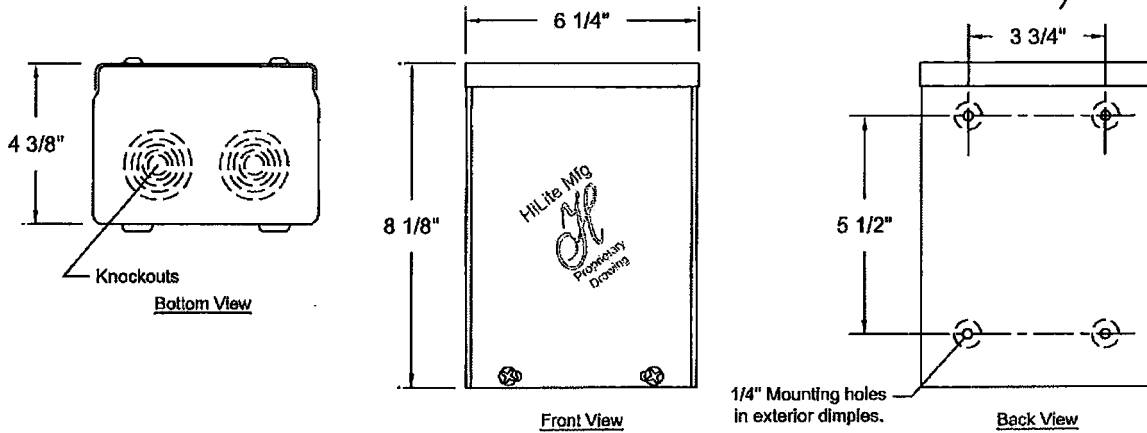
HI-LITE MFG. CO., INC.

13450 Monte Vista Avenue
 Chino, California 91710
 Telephone: (909) 465-1999
 Toll Free: (800) 465-0211
 Fax: (909) 465-0907
 www.hilitemfg.com

Job Name:	Popeyes
Type:	H
Quantity:	



Remote Ballast Box



Item Number	Wattage	Voltage
H-811/C/GU/602-100MH	100W/MH	120, 208, 240, 277V

Material
 Aluminum

Finish
 602 (Evergreen)

Lamp/Socket
 1- Medium Base 4-KV
 Metal Halide

Mounting
 Wall Mounted

NOTE: DO NOT REMOVE BALLAST FROM ENCLOSURE. DO NOT MOUNT BALLAST MORE THAN 10' FROM LAMP.



JOB NAME:

DATE:

TYPE: WP

DESCRIPTION

Heavy duty die cast aluminum housing with prismatic glass refractor. HPS and Metal Halide models available. With 1/2" bottom and back conduit knockout. Factory installed photocontrol optional. Lamp supplied.

SPECIFICATIONS

Back Plate:

Heavy die cast aluminum. 1/2" bottom conduit knockout. Knockouts for mounting to 3" or 4" junction boxes

Ballast Housing:

Stamped steel painted white

Reflector:

Die formed aluminum for wide light distribution

UL Listing:

Suitable for wet locations

Housing:

Heavy duty cast aluminum housing

Patents:

RAB sensor and fixture designs are protected under U.S. and International Intellectual Property laws.

Quad Tap:

Fixture works with 120, 208, 240 and 277 Volts

Reflector:

Heavy prismatic glass refractor

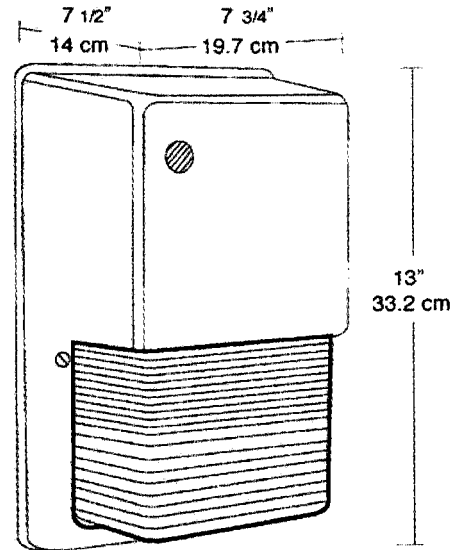
Color:

Bronze

Weight:

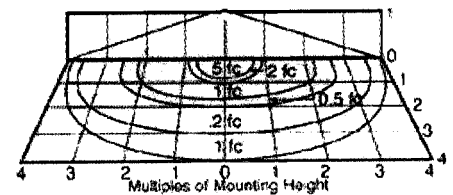
12.96

DIMENSIONS



PHOTOMETRIC

70w HPS @ 10' Mounting Height



Mounting Height	Multiplier	HPS		CFL	
		Watts	Multiplier	Watts	Multiplier
8'	1.6	100	1.5	22	.2
10'	1.0	70	1.0	42	.5
12'	.7	50	.6		
16'	.4	35	.4		
20'	.25				
		MH			
		Watts Multiplier			
		100	1.4		

ORDERING INFORMATION

Metal Halide
Lamp supplied with fixture

Total Watts	Lamp Type	Lamp Base	Ballast
100	ED17	Medium	HX-HPF QT

Starting Amps/ Operating Amps			
120V	208V	240V	277V
1.2/1.2	.8/.7	.7/.6	.6/.5

Input Watts	LAMP ANSI	Initial Lumens	Lamp Hours
129	M90	9000	15000

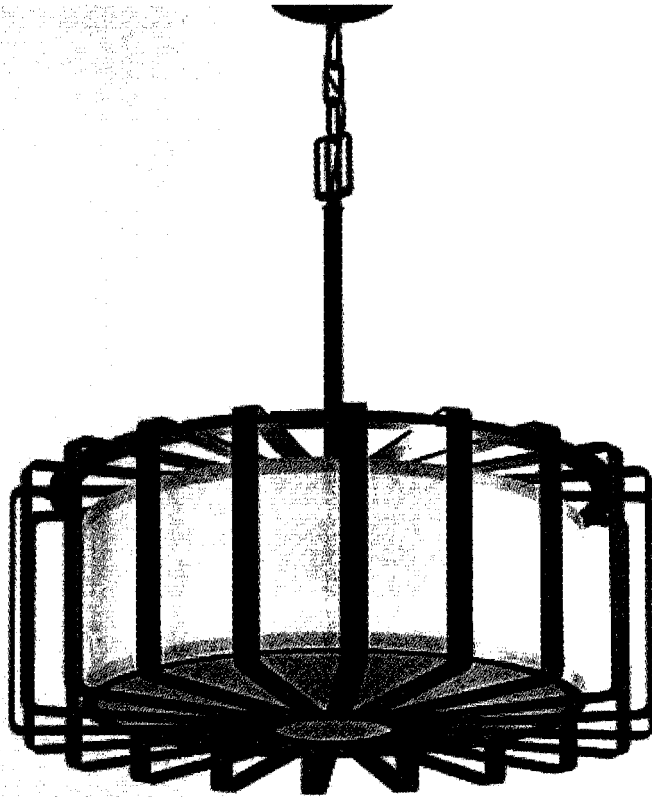
Factory Installed Options
Add suffix to Catalog Number

Tamperproof screws (/TP)
Swivel Photocontrol (/PCS)
Single fusing for 120 and 277 volt (/F)

Double fusing for 208 and 240 volt (/FF)
Button Photocontrol (/PC)

Note: Specifications may change without notice

PI



Collection Drum
Item No. **F2816BZ-I**
Dimension 26"W 13.25"H
Lamping 4-60W Med Base
Diffuser Frosted White Acrylic
Shades Ivory Linen (Hardback)
Metalwork Hand-Worked Wrought Iron
Finishes BZ (Bronze)

GR - Graphite Finish is optional, **L** - Off-White Linen (Hardback) Shade is optional.
12" stem not included in measurements, use of stem is optional.



**TROY
LIGHTING**
Est. 1963

TROY LIGHTING -A Division of Troy-CSL Lighting, Inc.
14508 Nelson Avenue, City of Industry, CA 91744 USA Phone: 626-336-4511 www.Troy-Lighting.com



28030-2C Tali Cylinder Glass Pendant

1Lt x 18w Self Ballasted Lamp (GU-24)

Bulb Type GU-24

Lamps Supplied Yes

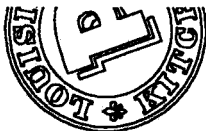
Finish BS ORB **Glass** AMB ASKY BLWH COB OPL
RED RUSKY

H 14 to 150 **L** 10 **Dia** 4

Included 12ft Clear Cord with BS Black Cord with
ORB

CUL Dry Energy Efficient **Customize**

Components 23088FC+23130



REVISIONS:

BCRA
DATE: 05/25/12

E1

CHECKED: K

LIGHT FIXTURE SCHEDULE

CITY	MARK	DESCRIPTION	MANUFACTURER	LIGHT FIXTURE	COLOR	BULBS
-	A	2 x 4 LAY-IN ELECTRONIC BALLAST	LIGHTOLIER	XT20VA34012003	WHITE	(2) F029A-1K
-	CL	COOLER/FREEZER		BY COOLER MANUFACTURER		
-	D	BALCONY RECESSED SOFFIT	SECURITY	861-100MH-FT-OW	WHITE	(1) M1100UJMED
-	D1	SHUTTER LIGHT / SHUTTER COLOR CAST ROUND BUCK COVER FOR FIXTURE UNDER CANOPY "JELLY JAR"	SECURITY	MCT100MH-FT-OW	EVERGREEN	(1) M1100UJMED
-	E	EMERGENCY LIGHTING UNIT	LITHONIA	JH18L1200MH	DARK BRONZE	(1) 13W TRT
-	EM	EMERGENCY LIGHTING UNIT	SELECTED BY OWNER			
-	ER	REMOTE EMERGENCY LIGHTING UNIT	SELECTED BY OWNER			
-	EX	LED EXIT EMERGENCY COMBO	LIGHTOLIER	LD2EMRHAEDZL	WHITE	INCLUDED
-	F	8" RECESSED DOWNLIGHT	LITHONIA	LPHN 28-42TRT 1VOLT 60MAZ		50W TRT
-	G	PENDENT	ACCESS LITG	28030	(1) BLUE (1) YELLOW (1) RED	(1) 18 W (GU-24)
-	H	GOOSENECK 100MMH - OUTDOOR	HALITE	H811CUGL-002-100MMH	EVERGREEN	(1) M1100UJMED
-	J	PENDENT	ACCESS LITG	28004	(1) AMBER (1) RED	(1) 18W (GU-24)
-	WP	WALL PACK W/ PHOTO CELL (REAR DOOR)	SECURITY	8WP-100MH-2001	BRONZE	(1) M1100UJMED
-	P1	PENDENT	HERMITAGE	P4348318721216		(2) 60W
-	P2	PENDENT	HERMITAGE	EDJ81111		(1) 60W

SITE LIGHTING (VERIFY COUNTS AND TYPE WITH SITE PLAN)

QTY	MARK	DESCRIPTION	MANUFACTURER	LIGHT FIXTURE	COLOR	BULBS
10	LP	1000 WATT MH FLOODLIGHT	SECURITY	A89F000MH-DM-MT	BRONZE	M1100UJFT88
5	LP	8" x 7 GAUGE x 28" SQUARE STEEL POLE	SECURITY	889F25-5-7-03Z	BRONZE	N/A

NOTE: VERIFY WIND LOAD TO ENSURE POLE SIZE IS SUFFICIENT.
 * LABOR WARRANTY FOR TWO YEARS IS PROVIDED ON ALL PARKING LOT LIGHTING THRU HERMITAGE LIGHTING NATIONAL ACCOUNTS.
 TEL: (800) 284-3333
 • NO SUBSTITUTION ALLOWED FOR SPECIFIED LIGHT FIXTURES.

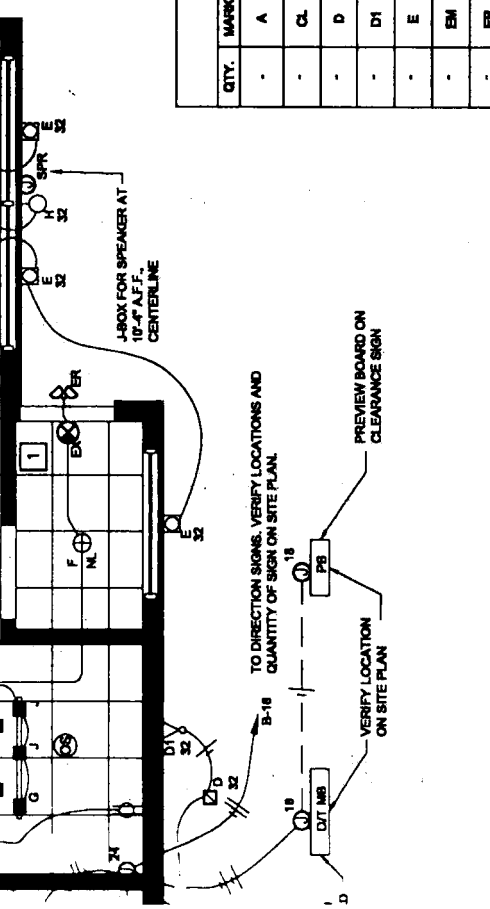
ALL LIGHT FIXTURES LISTED IN THE ABOVE SCHEDULE SHALL BE FURNISHED AND INSTALLED BY THE ELECTRICAL CONTRACTOR EXCEPT AS NOTED IN PARAGRAPH, PART 1.1.C OF ELECTRICAL SPECIFICATIONS.

NOMENCLATURE

MARK	DEFINITIONS
A12	PATTERN #12 ACRYLIC PRISMATIC LENS
1/4 GEB	4 LAMP ELECTRONIC BALLAST > 20% THD ELECTRONIC
CP20	COLD WEATHER BALLAST
PE	FACTORY INSTALLED PHOTOCELL
M	METAL HALIDE SOURCE

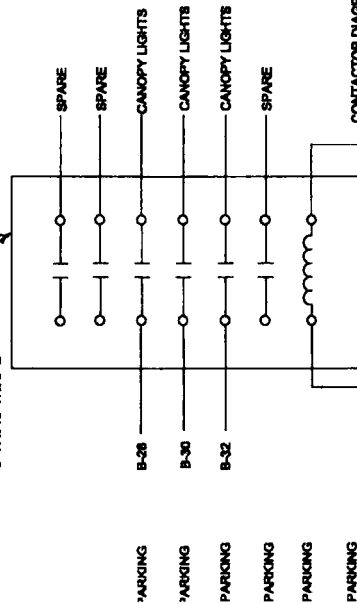
FIXTURE NOTES:

- SEE ARCHITECTURAL DETAILS FOR MOUNTING LOCATIONS.
- ALL OUTLETS FOR LIGHTS SHALL BE SUPPORTED INDEPENDENTLY OF CEILING SYSTEM USING 1/4" x 1/4" THREADED ROD.
- PROVIDE REMOTE MOUNTED (ON ROOF) PE CELL FOR ALL EXTERIOR FIXTURE. TYPE WP NOT ON THE LIGHTING CONTRACTOR.

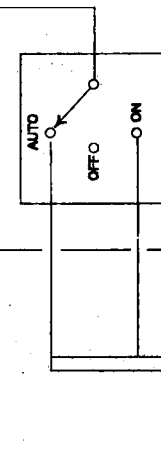


LC3

LIGHTING CONTACTOR W/ 6 POLES AT 20 AMP EACH (TYPICAL) 80 D APPROX. DIMENSIONS NOMINAL ENCL. DIMENSIONS 8" W X 15" H X 6" D



PROVIDE DPDT RELAY SQUARE D #6501-KP12V20 & #6501-NRS1 BASE AND ADJUSTABLE TIMER & BLOCK SET FOR 30 MIN TIME DELAY WHEN TURNED OFF.



CONTACTOR DIAGRAM NOTES:

- THE LIGHTING CONTACTORS SHALL BE HELD MAGNETICALLY IN A NEMA 1 ENCLOSURE. THE SIGN & CANOPY LIGHTING SHALL BE SET TO COME ON FIRST, EVEN ON RAINY/CLOUDY DAYS AND THE PARKING LOT LIGHTING SHALL BE SET TO COME ON LATER. THE CONTROLS SHALL BE WIRED SO THAT EACH GROUP OF LIGHTING (SIGNAGE/CANOPY AND PARKING LOT) IS INDEPENDENT, AND MAY BE MANUALLY SWITCHED OFF AT CLOSING WITH ITS SELECTOR SWITCH VIA THE DELAY RELAY. SEE CONTACTOR DIAGRAM DETAIL THIS SHEET.

CROSS ENGINEERS, INC.
 8800 8th Avenue
 Tacoma, WA 98408
 info@crossengineers.com



Phone: (253) 784-9118
 Job Number: 12-011