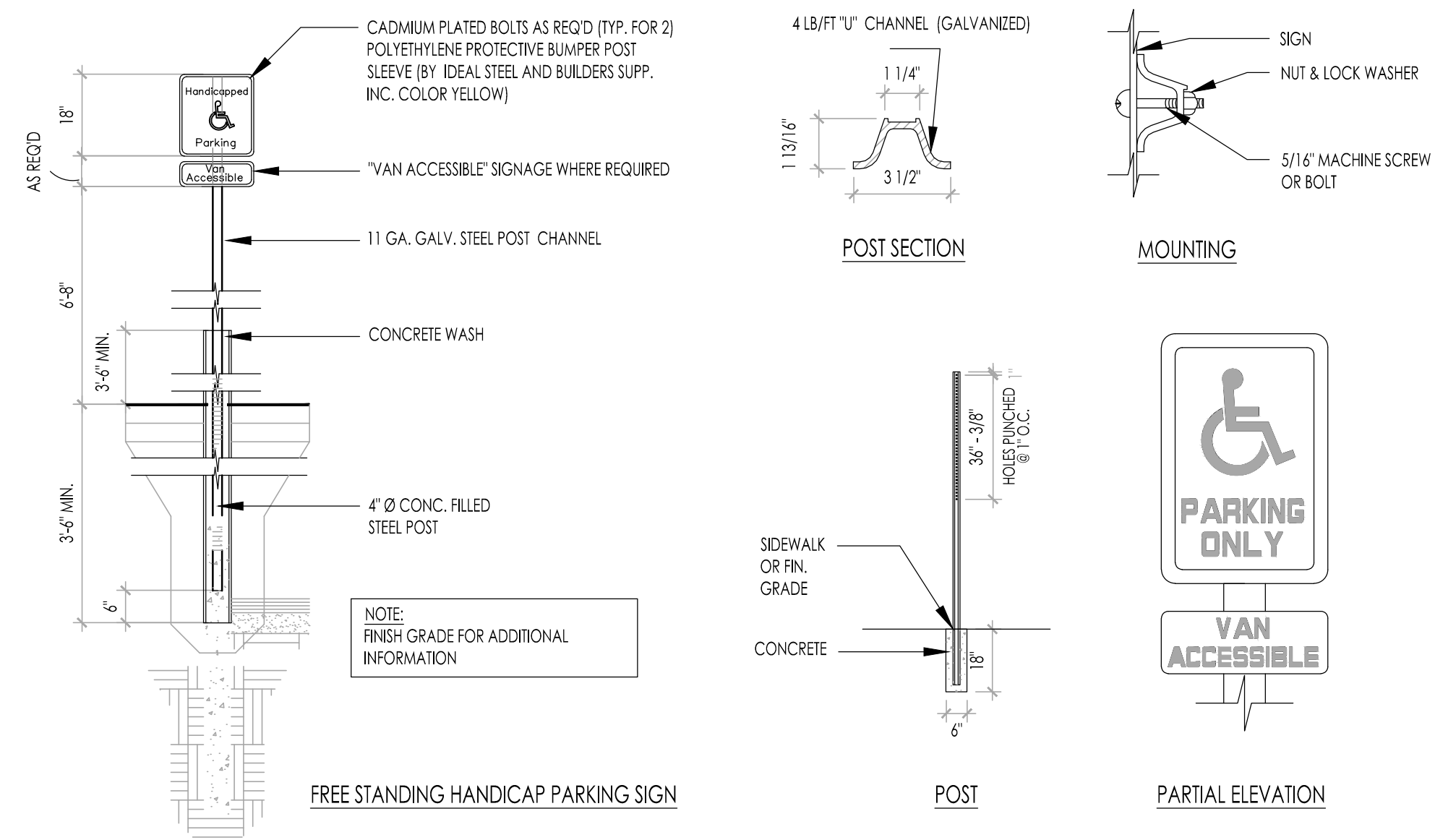


NOTE:
SIGN STRUCTURAL FOUNDATION AS REQUIRED BY SITE CONDITIONS. DESIGN IS THE RESPONSIBILITY OF THE SUBCONTRACTOR.

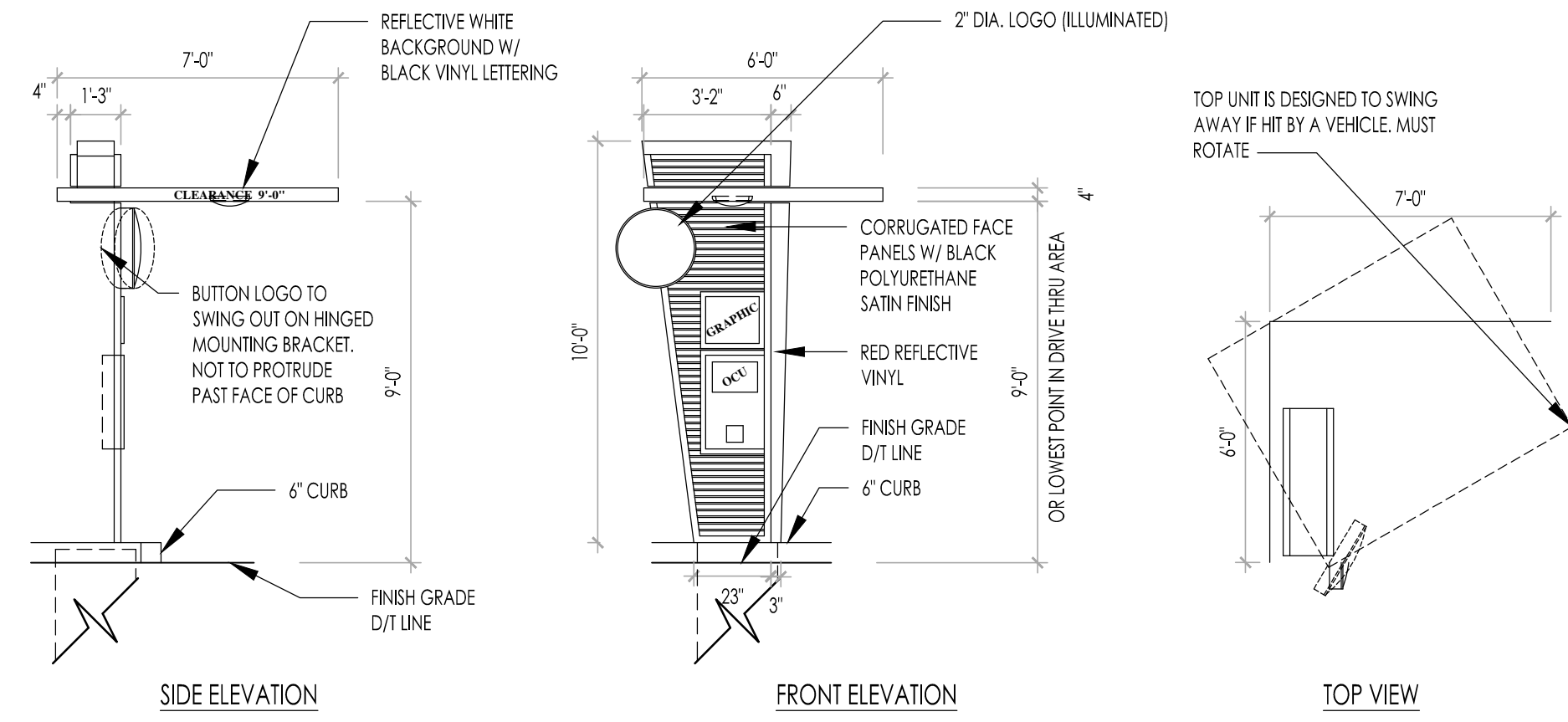


1 FREE STANDING HANDICAP PARKING SIGN

SCALE: NO SCALE

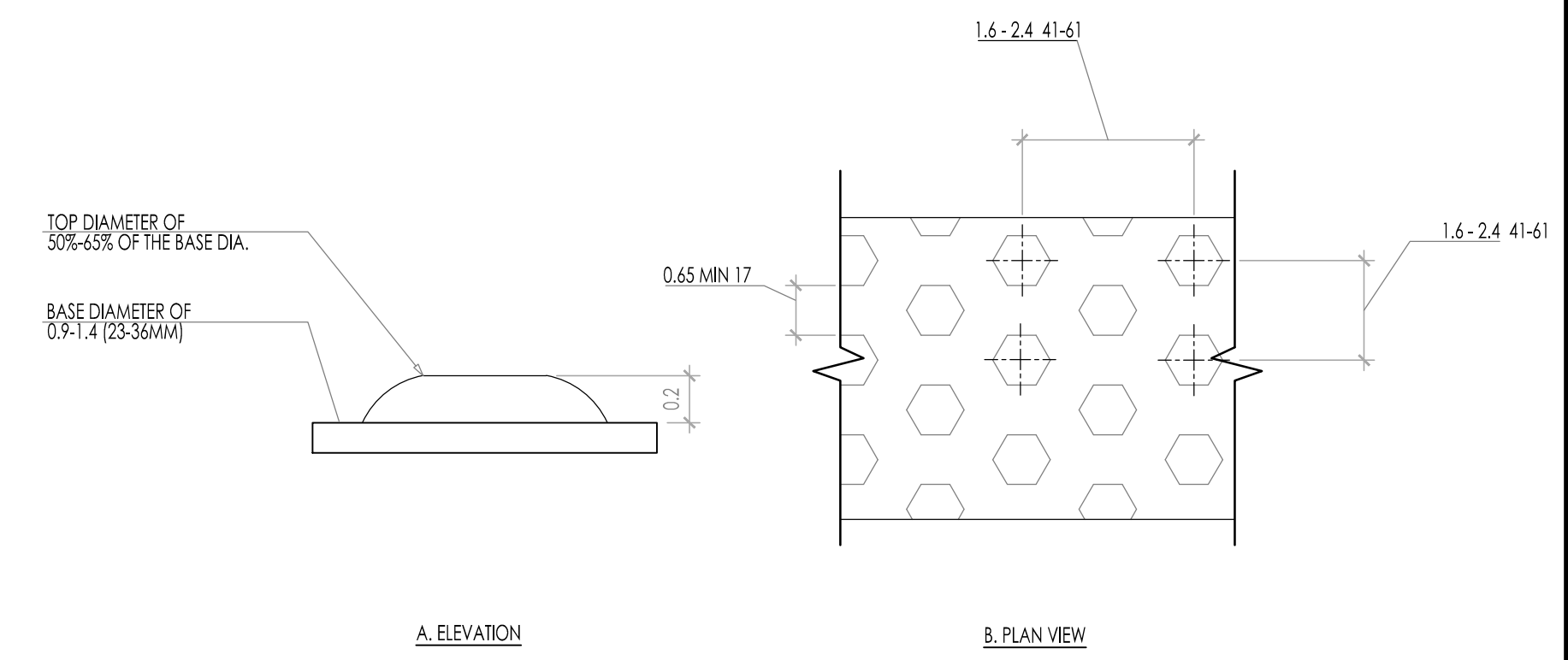
NOTE:
SIGN STRUCTURAL FOUNDATION AS REQ. BY SITE CONDITIONS. DESIGN IS THE RESPONSIBILITY OF THE SUBCONTRACTOR.

- 120 VOLT 20 AMP ELECTRICAL SUPPLY TO SIGN
- DATA CABLE FOR THE ACCUVIEW DISPLAY
- BACK OF SIGN TO BE REMOVABLE FOR SERVICE ACCESS



2 ORDER CONFIRMATION ELEVATIONS

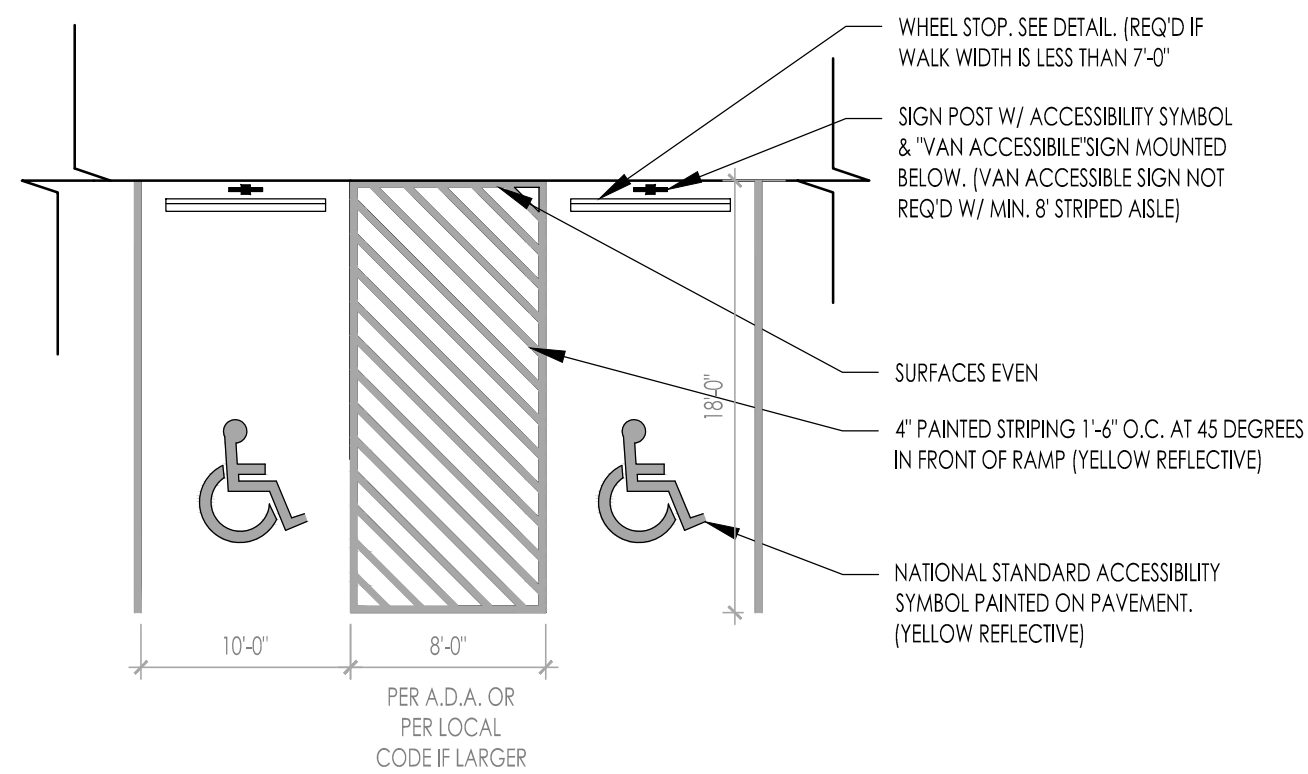
SCALE: NO SCALE



3 TRUNCATED DOME DETAIL

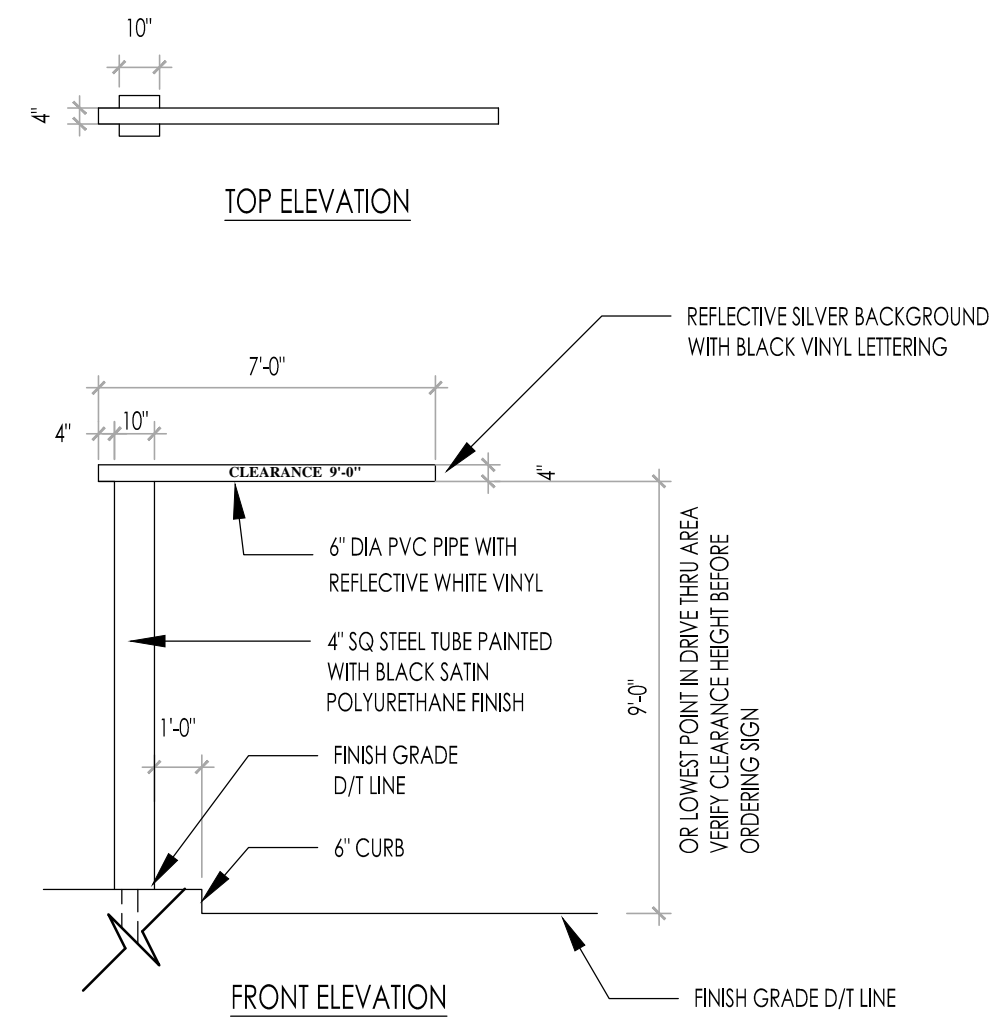
SCALE: NO SCALE

PAVEMENT MAX. SLOPE
2% IN ALL DIRECTIONS.



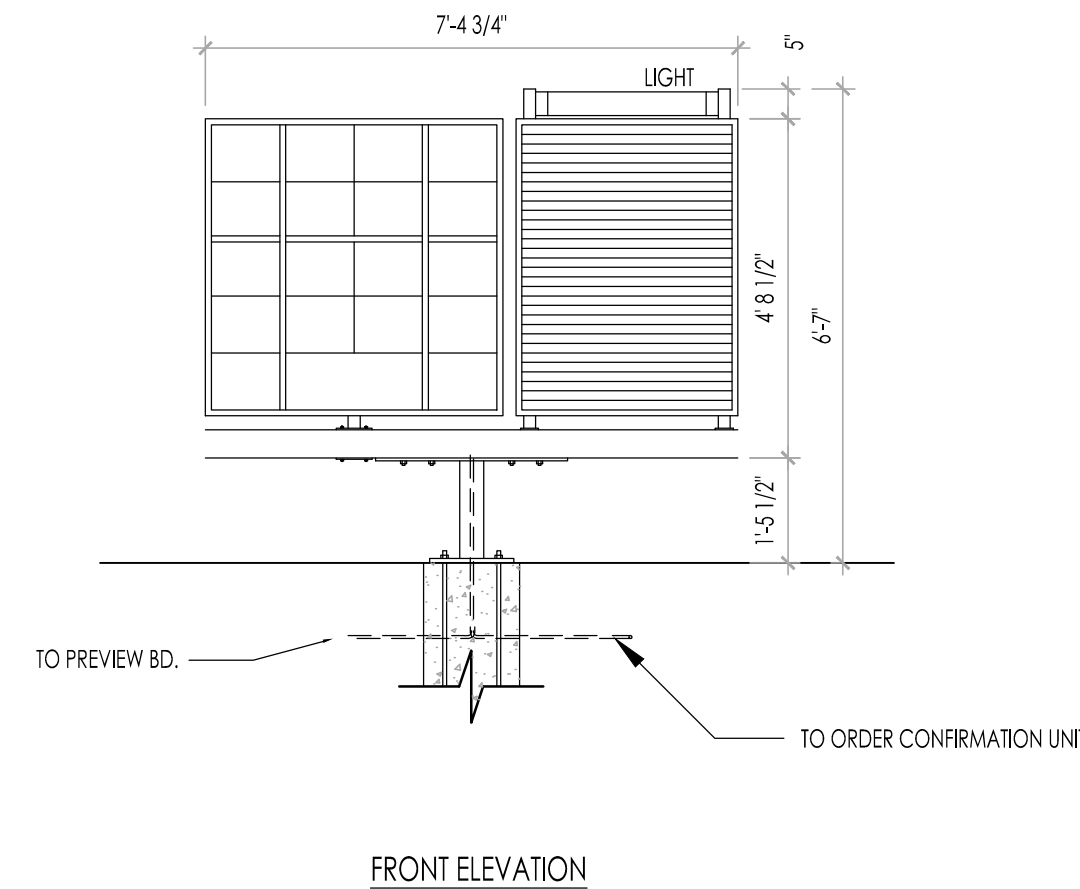
4 ACCESSIBLE PARKING DETAIL

SCALE: NO SCALE



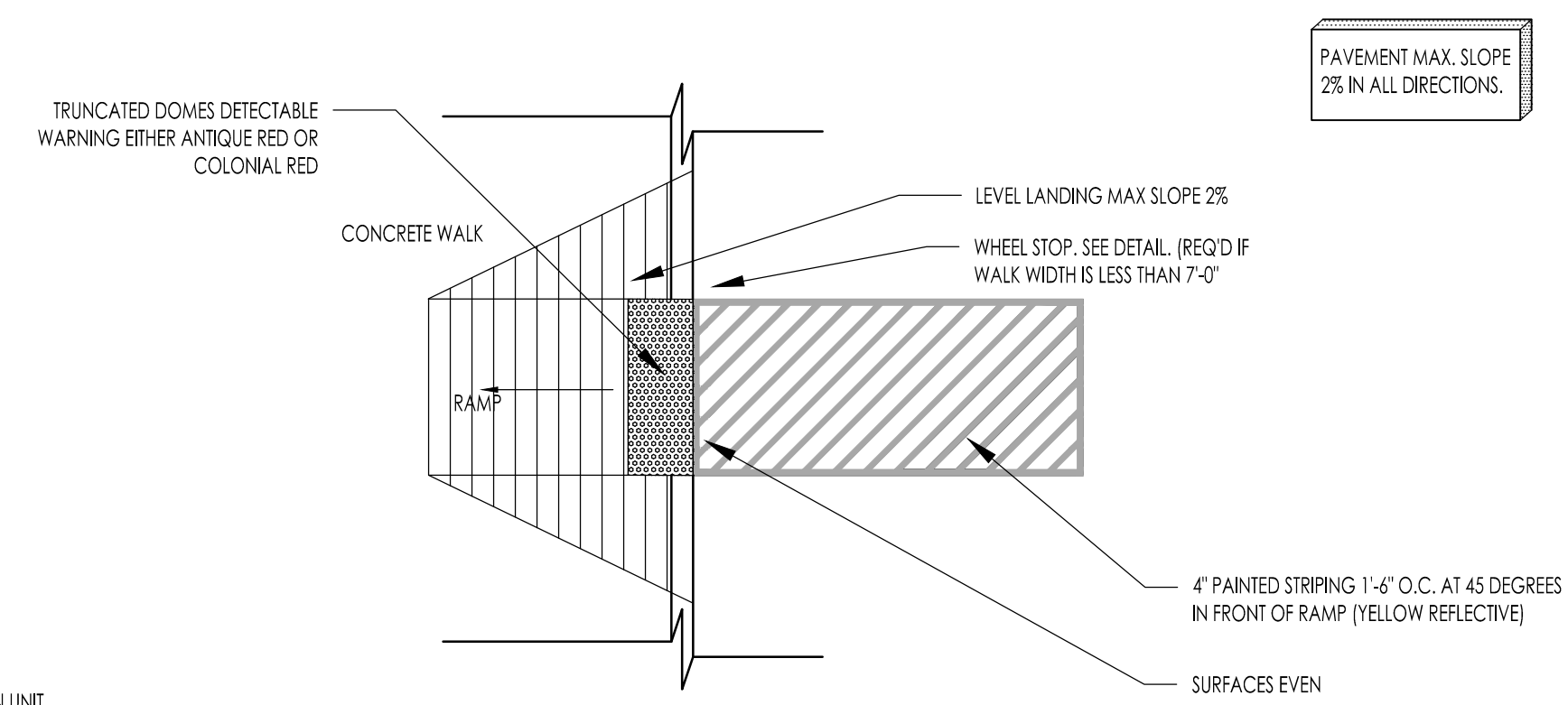
5 DRIVE-THRU CLEARANCE SIGN

SCALE: NO SCALE



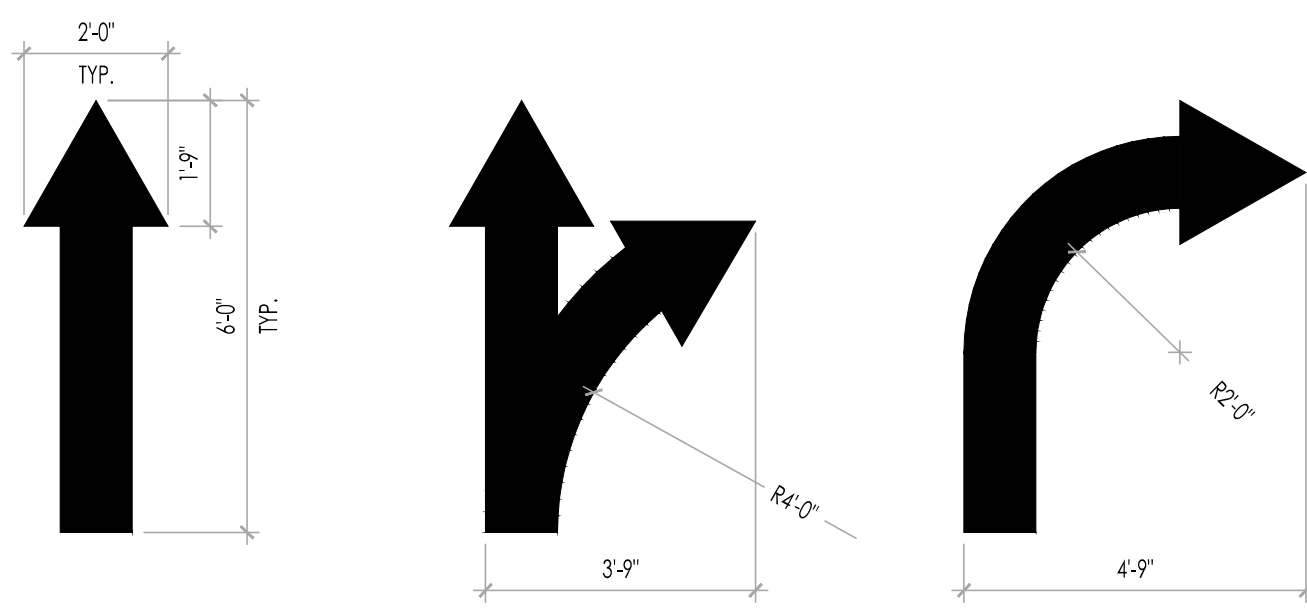
6 MENU BOARD ELEVATIONS

SCALE: NO SCALE



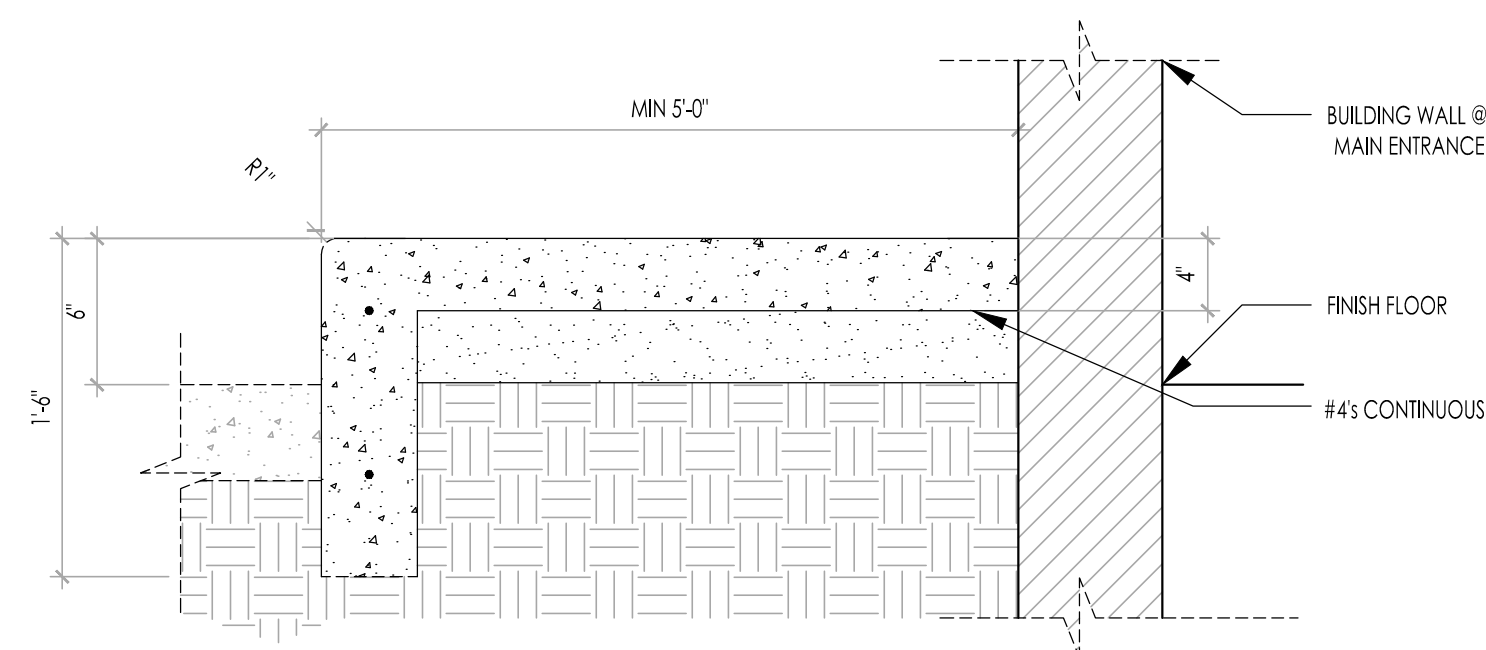
7 ACCESSIBLE PARKING/RAMP DETAIL

SCALE: NO SCALE



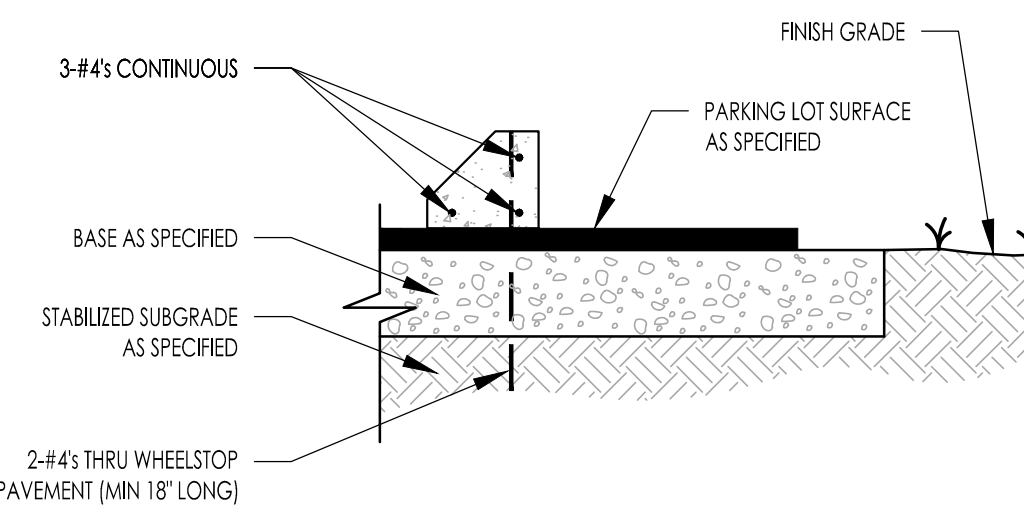
8 PAINTED ARROW DETAILS

SCALE: NO SCALE



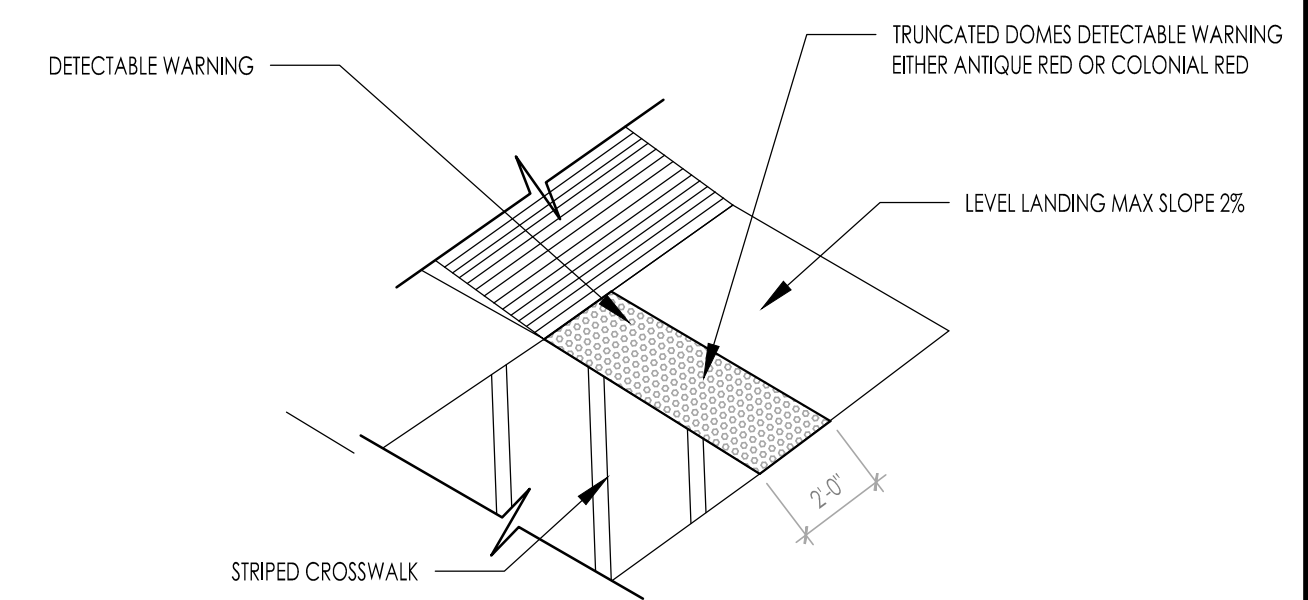
9 CURB DETAIL

SCALE: NO SCALE



10 PARKING BLOCK DETAIL

SCALE: NO SCALE

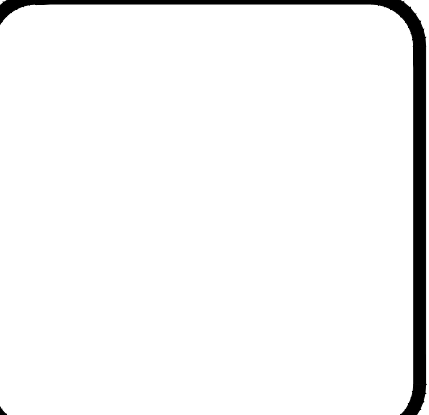
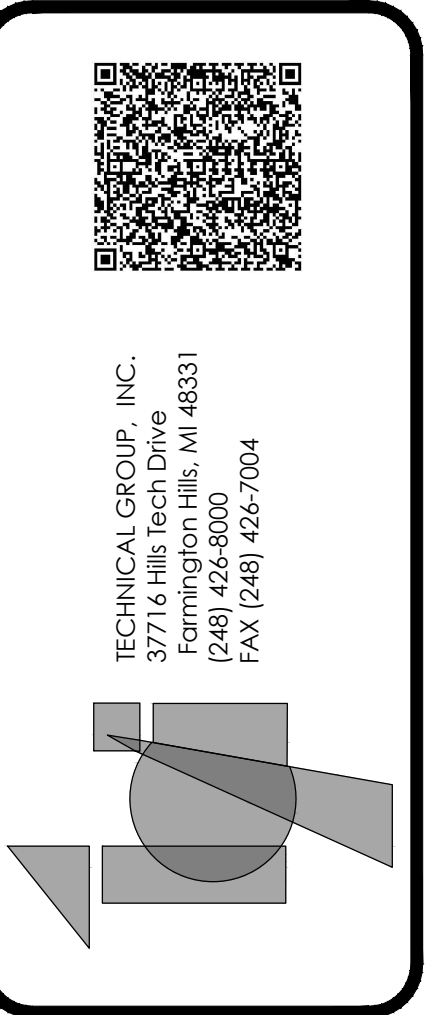


11 ACCESSIBLE RAMP DETAIL

SCALE: NO SCALE

No.	Date	By	Notes
1	6.8.16	JW	SUBMITTED TO CITY
2	6.22.16	CG	REVISION 1

Drawn By: PM
Checked: SB
Scale: AS NOTED
Date: 04.01.16



PROJECT	BURGER KING #5743 3100 GRATIOT AVE. MARYSVILLE, MI	SHEET TITLE	SHEET DETAILS
JOB #	TG-16353	DO NOT SCALE THIS PRINT. USE FIGURED DIMENSIONS ONLY.	
SHEET	C-3		