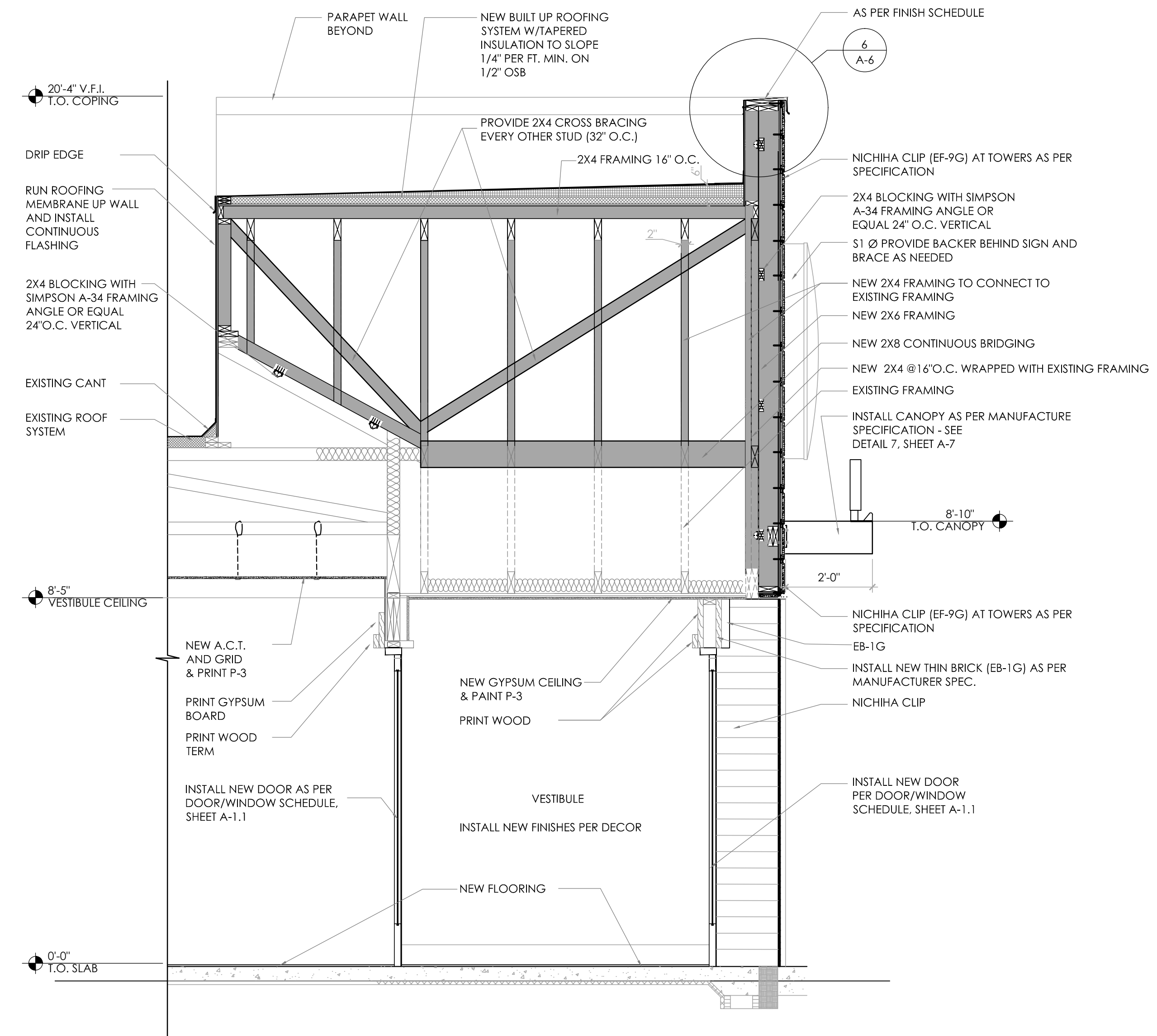
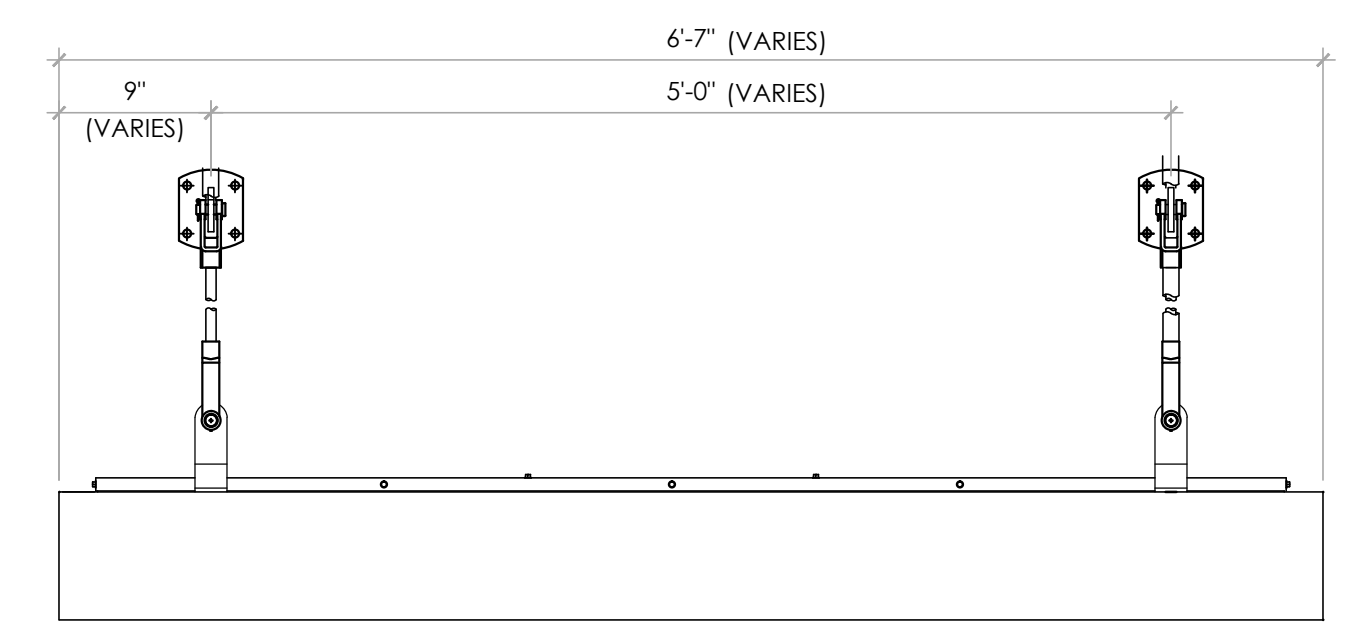


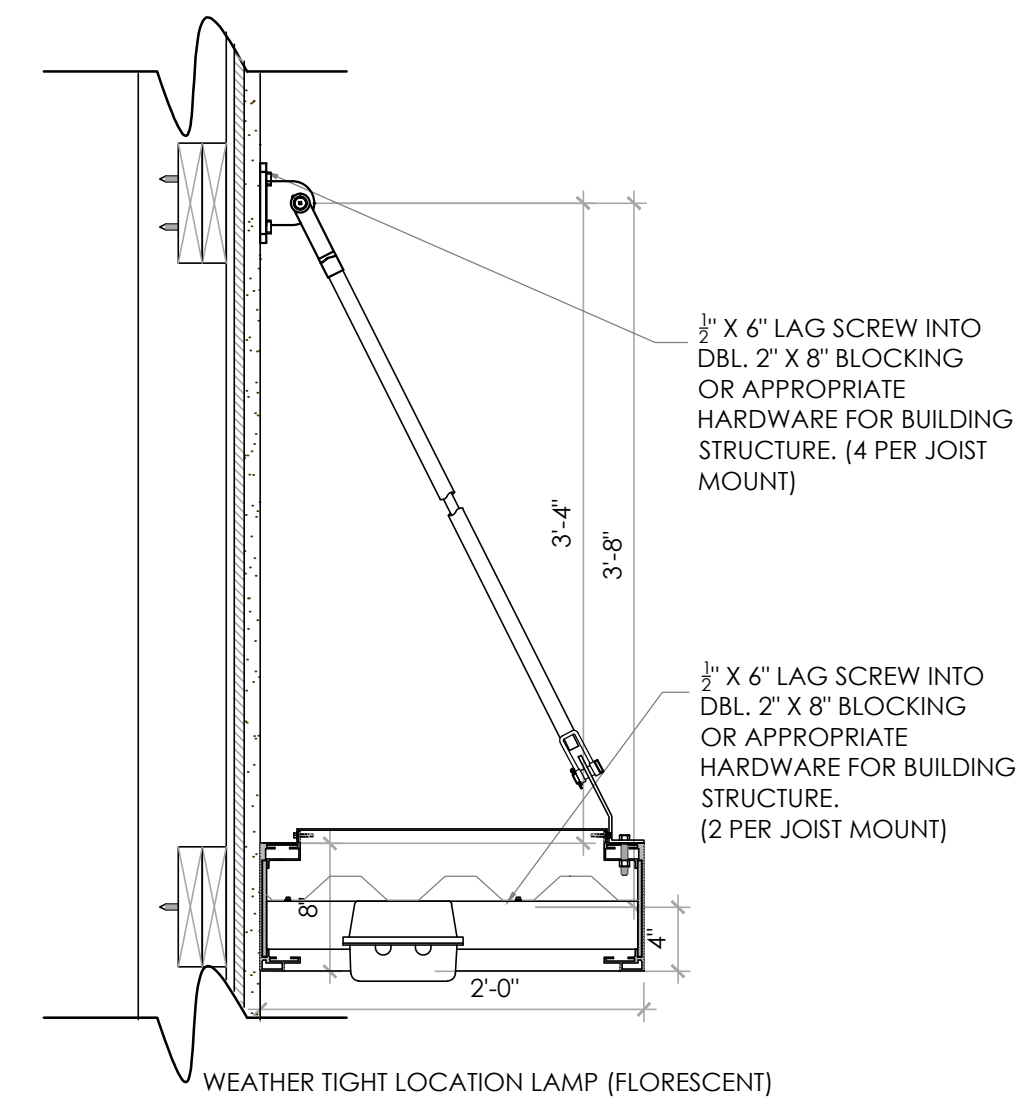
1 DEMO SECTION @ SIDE VESTIBULE
SCALE: 1/2" = 1'-0"



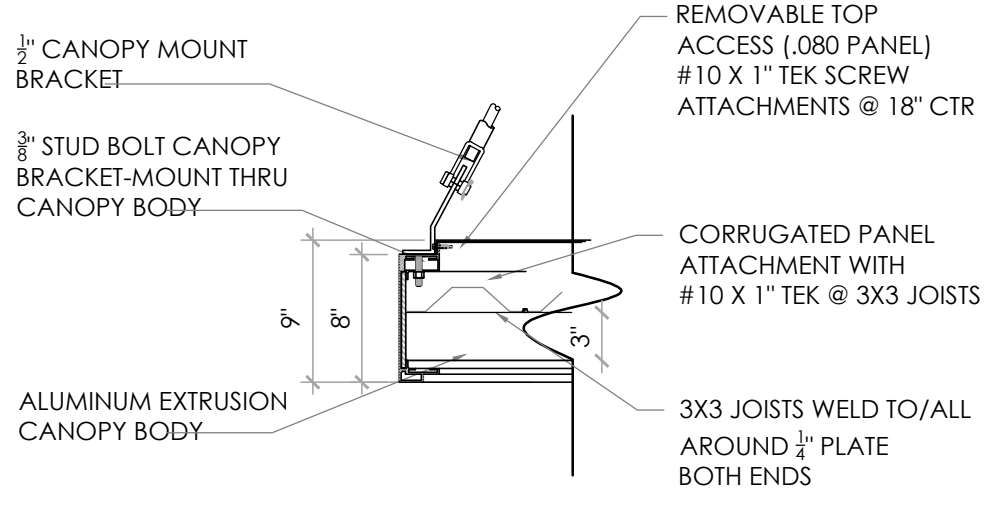
2 PROPOSED SECTION @ SIDE VESTIBULE
SCALE: 1/2" = 1'-0"



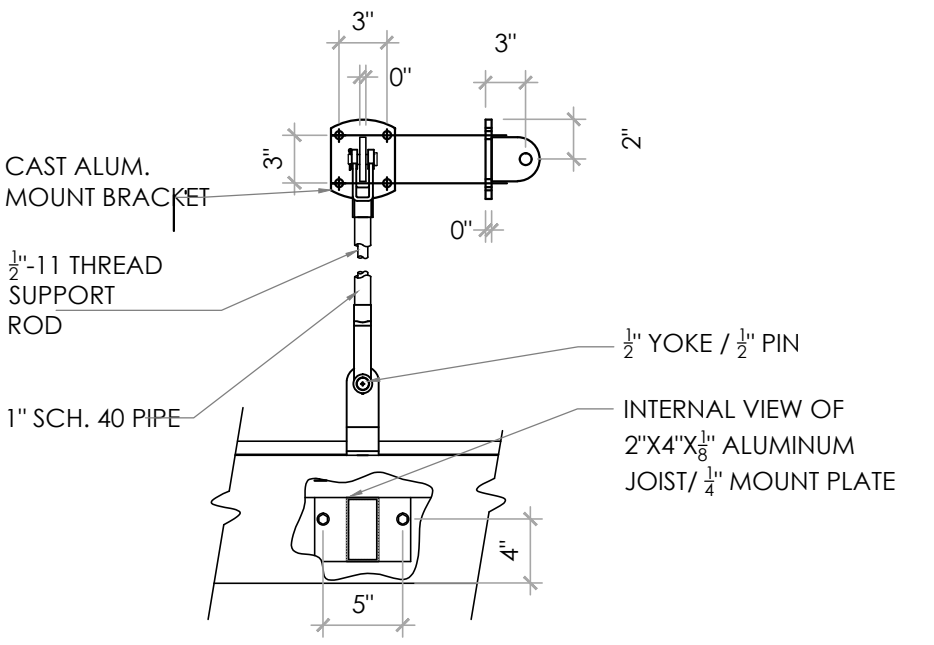
CANOPY FRONT VIEW
SCALE: 1" = 1'-0"



CANOPY SECTION VIEW
SCALE: 1" = 1'-0"



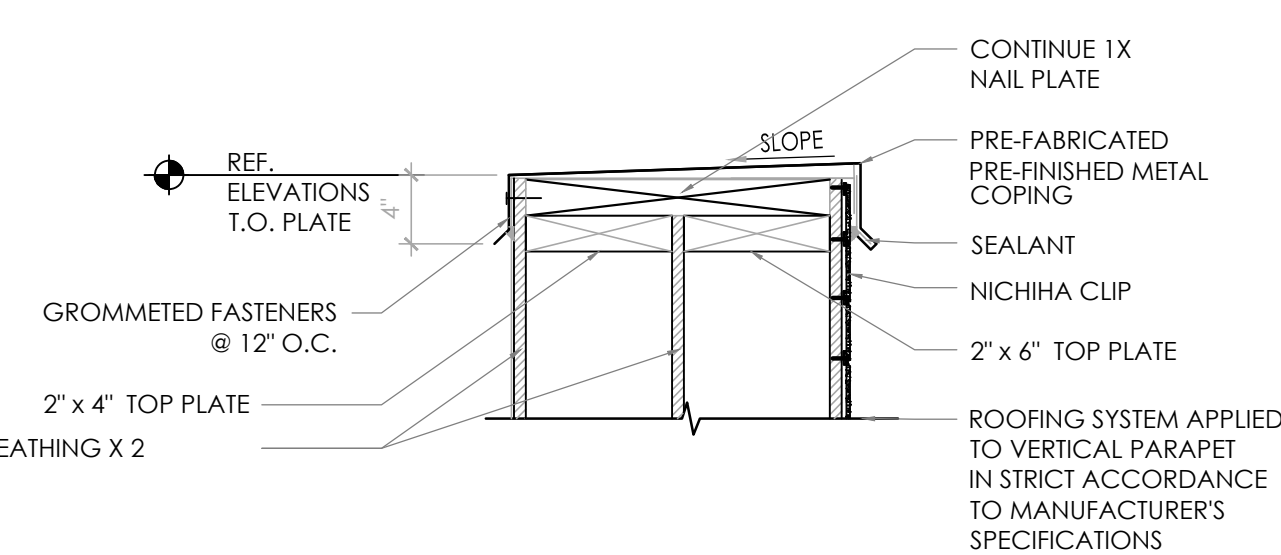
CANOPY SECTION TIE ROD SUPPORT
SCALE: 1" = 1'-0"



CANOPY TIE ROD SUPPORT DETAIL
SCALE: 1" = 1'-0"

GENERAL NOTES

- ALL NICHHA PANELS AND HARDIE PLANKS ARE TO BE INSTALLED PER MANUFACTURER'S SPECIFICATIONS. IF DISCREPANCIES OCCUR BETWEEN CONSTRUCTION DRAWINGS AND MANUFACTURER'S DETAILS, MANUFACTURER'S INSTALLATION TAKES PRECEDENCE AS TO VALIDATE WARRANTY OF PRODUCT.
- EXISTING CONDITIONS ARE BASED ON PROTOTYPICAL CONDITIONS AND MAY NOT REFLECT ACTUAL CONDITIONS. G.C. TO VERIFY EXISTING CONDITIONS AND CONSULT WITH ARCHITECT ON DISCREPANCIES.

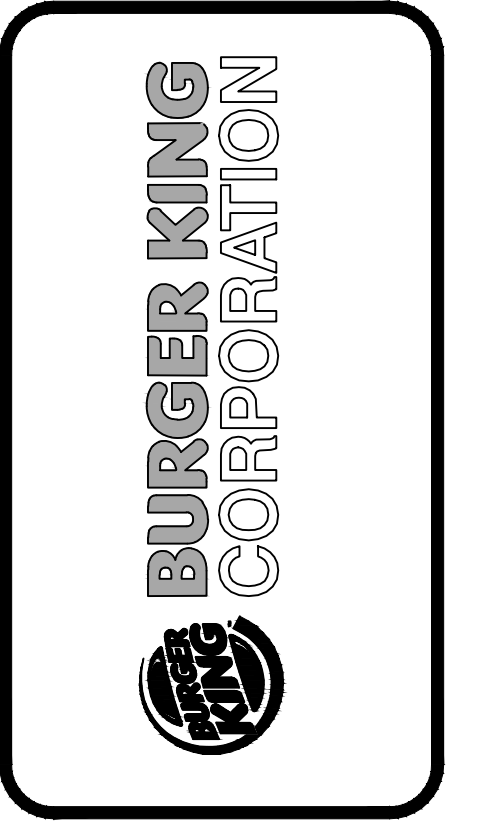


6 PARAPET DETAIL
NOT TO SCALE

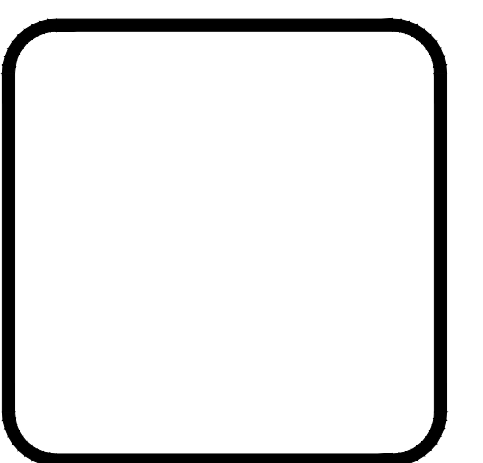
5 CANOPY DETAIL
NOT TO SCALE

No.	Date	By	Notes
1	6/8/16	JW	SUBMITTED TO CITY
2	6/22/16	CC	REVISION 1

Drawn By: PM
Checked: SB
Scale: AS NOTED
Date: 04.01.16



TECHNICAL GROUP, INC.
37716 Hills Tech Drive
Farmington Hills, MI 48331
(248) 426-8000
FAX (248) 426-7004



PROJECT
BURGER KING #5743
3100 GRATIOT AVE.
MARYSVILLE, MI

SHEET TITLE
WALL SECTIONS & DETAILS

DO NOT SCALE THIS PRINT. USE FIGURED DIMENSIONS ONLY.

JOB #
TG-16353

SHEET
A-6