

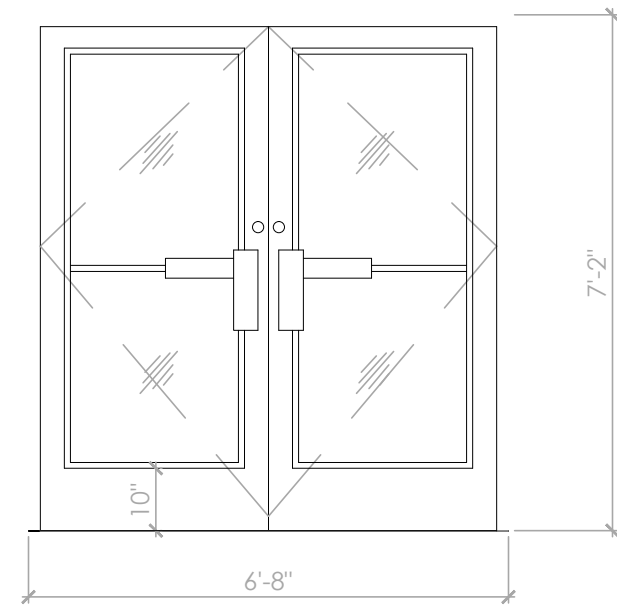
DOOR AND WINDOW SCHEDULE

DOOR
 OPENING: 3'-0"x7'-2"x1 3/4" AD x AF MATERIAL: ALUMINUM / GLASS FINISH: FACTORY FINISH - REFER TO SHEET A-2

FRAME
 MATERIAL: EXST
 FINISH: REF DECOR SHEET

HARDWARE
 ENTRANCE DOOR HARDWARE SHALL CONSIST OF OFFSET PIVOTS, ADAMS RITE MS 1852S DEAD BOLT LOCK, NORTON 1605 SURFACE CLOSER WITH BACK CHECK, 9" CLASSIC STRAIGHT DOOR PULLS IN POLISHED STAINLESS OR CHROME, AND STANDARD THRESHOLDS. LOCKS, CYLINDERS, AND THRESHOLDS SHALL BE OMITTED ON INTERIOR VESTIBULE DOORS, (IF VESTIBULE IS PROVIDED) DUMMY CYLINDERS SHALL BE PROVIDED ON THE EXTERIOR OF ALL DOORS EXCEPT AT MAIN ENTRY.

GLAZING
 GLAZING FOR EXTERIOR DOORS TO COMPLY WITH IECC 2009 ENERGY CODE 502.4 ALL GLAZED ENTRANCE DOORS MAXIMUM AIR LEAKAGE RATE SHALL BE 1.00 CFM/FT² OF DOOR AREA WHEN TESTED IN ACCORDANCE WITH ASTM E 283. .45 U-FACTOR REQUIRED.



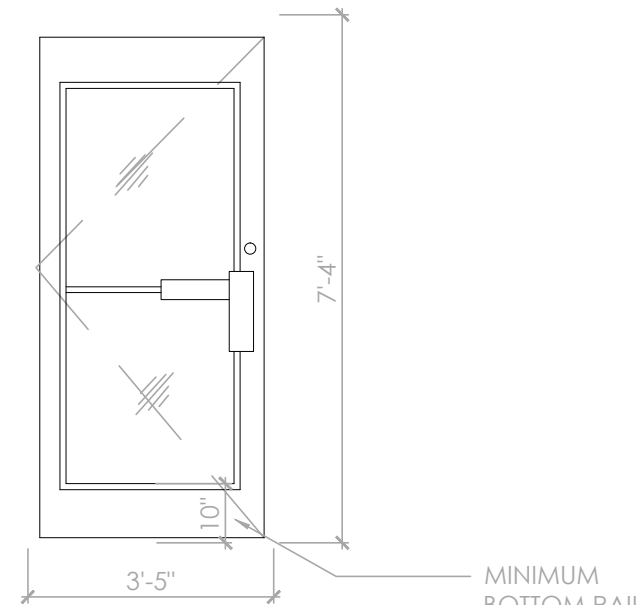
ENTRY VESTIBULE DOOR (1) (2)
 NOT TO SCALE

DOOR
 OPENING: 3'-0"x6'-4"x1 3/4" AD x AF MATERIAL: ALUMINUM / GLASS FINISH: FACTORY FINISH - REFER TO SHEET A-2

FRAME
 MATERIAL: EXST
 FINISH: REF DECOR SHEET

HARDWARE
 HINGES, OFFSET PIVOTS LOCKSET, ADAMS RITE DEAD BOLT, MS 1852S FLUSH BOLTS, 1 PAIR SURFACE CLOSER, NORTON 1605 WITH BACK CHECK 9" CLASSIC STRAIGHT DOOR PULLS IN POLISHED STAINLESS OR CHROME, AND STANDARD THRESHOLDS. (STANDARD)

REMARKS
 DUMMY CYLINDERS SHALL BE PROVIDED ON THE EXTERIOR OF ALL DOORS EXCEPT AT MAIN ENTRY.



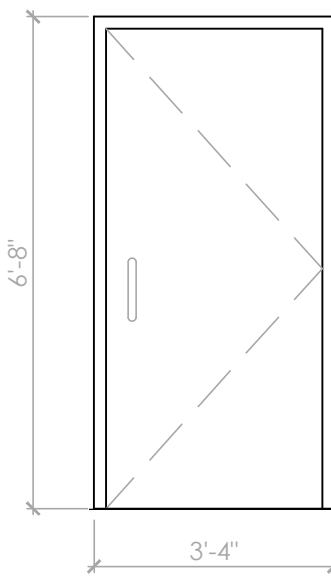
DINING ROOM DOOR (3)
 NOT TO SCALE

DOOR
 OPENING: 3'-0"x6'-10"x1 3/4" WD x AF MATERIAL: SOLID CORE HPL FINISH: REFERENCE DECOR SHEETS.

FRAME
 MATERIAL: EXISTING
 FINISH: REFERENCE DECOR SHEETS.

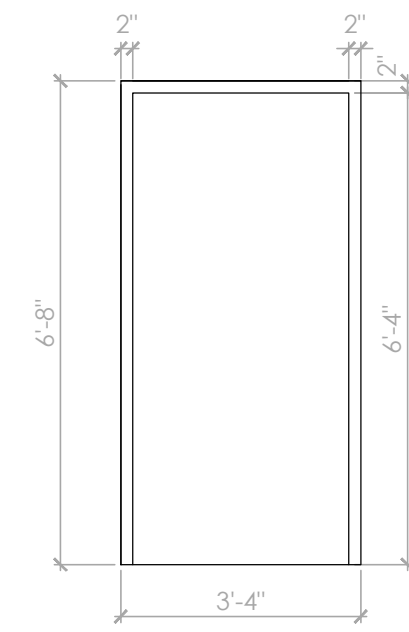
HARDWARE
 EACH DOOR TO RECEIVE:
 HINGES: 3 EACH HAGER: BB1279 4 1/2 x 4 1/2 x 652
 LOCKSET: 1 EACH SCHLAGE, AL53PD SAT x 626
 CLOSER: 1 EACH LCN 1461 X 689
 FLOOR STOP: 1 EACH HAGER 241F x US28
 KICKPLATES: 2 EACH HAGER 193S 10"x2" LDW 628
 (INSTALL W/FLAT HEAD PHILLIPS HEAD SCREWS)

REMARKS
 *AS AN OPTION IN LIEU OF SOLID CORE DOORS AND HOLLOW METAL FRAMES, PROVIDE MARLITE HPL DOORS WITH ALUMINUM FRAMES (REF. ID SHEETS FOR COLOR)



RESTROOM DOOR (4) (5)
 NOT TO SCALE

HEAD: USE EXISTING
 SEE WALL SECTION.
 JAMB: USE EXISTING,
 SEE WALL SECTION
 THRESHOLD
 *IF APPLICABLE (B)

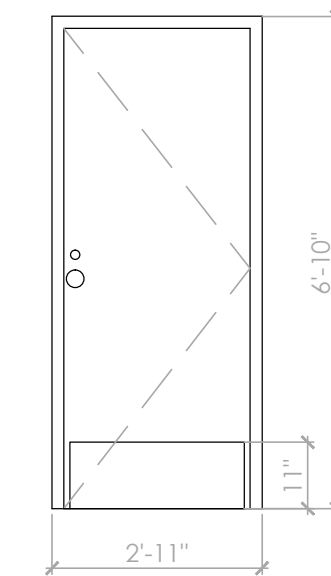


DOOR FRAME
 NOT TO SCALE

DOOR
 OPENING: 3'-0"x6'-8"x1 3/4" WD x AF MATERIAL: SOLID CORE HPL FINISH: REFERENCE DECOR SHEETS.

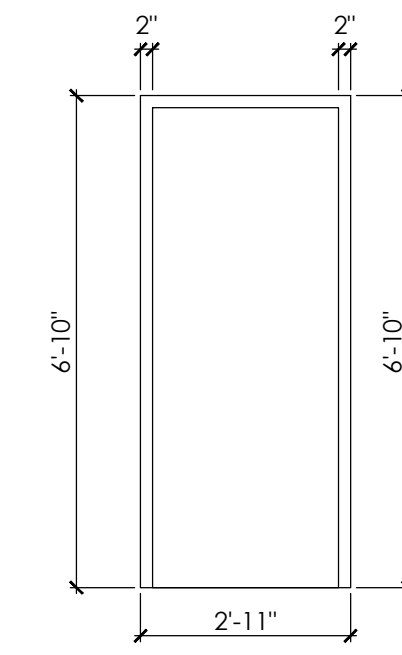
FRAME
 MATERIAL: ALLUMINUM FINISH:
 REFERENCE DECOR SHEETS.

HARDWARE
 EACH DOOR TO RECEIVE:
 HINGES: 3 EACH HAGER: BB1279 4 1/2 x 4 1/2 x 652
 LOCKSET: 1 EACH SCHLAGE, AL53PD SAT x 626
 CLOSER: 1 EACH LCN 1461 X 689
 FLOOR STOP: 1 EACH HAGER 241F x US26D
 KICKPLATES: 2 EACH HAGER 193S 10"x2" LDW 628 (INSTALL W/FLAT HEAD PHILLIPS HEAD SCREWS)
 SILENCERS: 3 EACH HAGER 307D RBR
 DOOR VIEWER: EACH ROCKWOOD 622 x 626



SERVICE DOOR (6) (7)
 NOT TO SCALE

HEAD: USE EXISTING
 JAMB: USE EXISTING.
 THRESHOLD
 *IF APPLICABLE



DOOR FRAME
 NOT TO SCALE

DOOR
 OPENING: 3'-8"x7'-0"x1 3/4" MD x MF MATERIAL: HOLLOW METAL FINISH: PAINT - REFER TO SHEET A-2

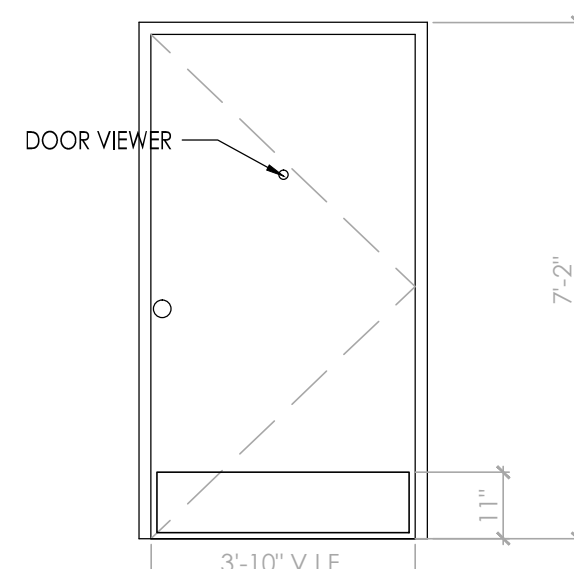
FRAME
 MATERIAL: HOLLOW METAL
 FINISH: PAINT - REFER TO SHEET A-2

HARDWARE
 DOOR TO RECEIVE:
 REINF. PIVOT: 1 EACH HAGER 253 x 2C x HAND REQUIRED
 HINGES: 4 EACH HAGER: BB1168 4 1/2" x 4 1/2" x USP x NRP
 EXIT DEVICE: 1 EACH VON DUPRIN 22EO x 689
 CLOSER: 1 EACH LCN 4115 H-CUSH x 18 x 689
 VIEWER: 1 EACH ROCKWOOD 622 x 626
 KICKPLATES: 1 EACH HAGER 193S 10"x2" LDW 628 (INSTALL W/FLAT HEAD PHILLIPS HEAD SCREWS)

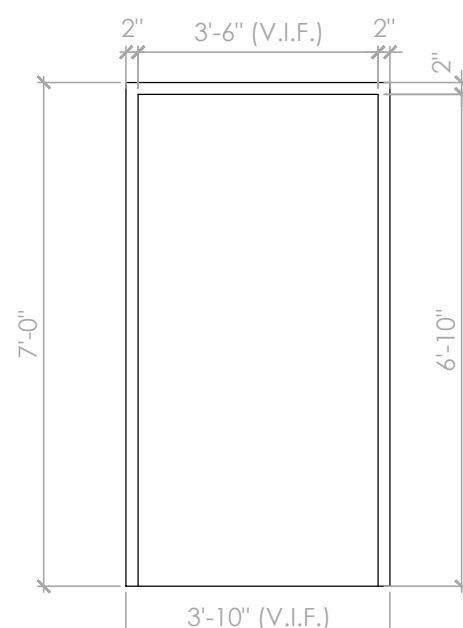
REMARKS
 HEAD: USE EXISTING
 SEE WALL SECTION.
 JAMB: USE EXISTING,
 SEE WALL SECTION
 THRESHOLD
 *IF APPLICABLE (C)

DOOR SWEEP: 1 EACH NATIONAL GUARD 200NA x 48"
 WEATHERSTRIP: 1 SET NATIONAL GUARD 160SA 1@48", 2@84"

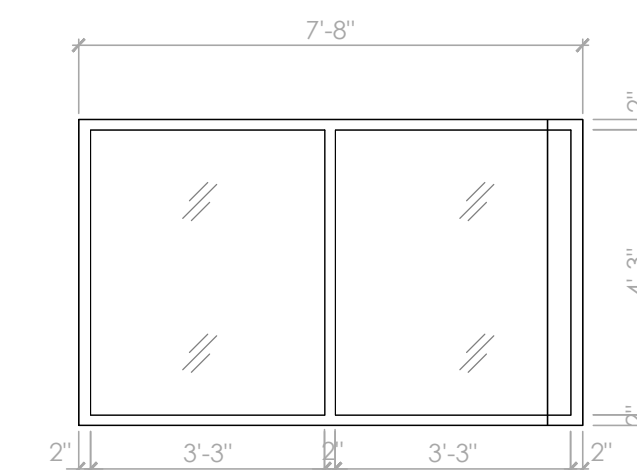
NOTE:
 GC TO VERIFY DOOR SIZES & SWING.



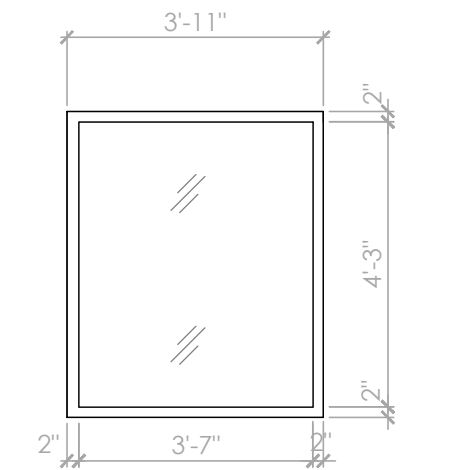
REAR SERVICE DOOR (8)
 NOT TO SCALE



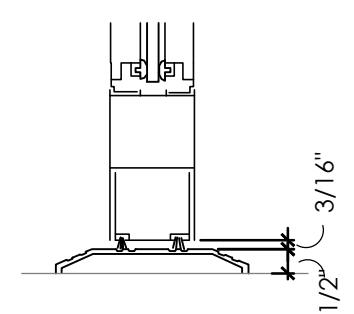
DOOR FRAME
 NOT TO SCALE



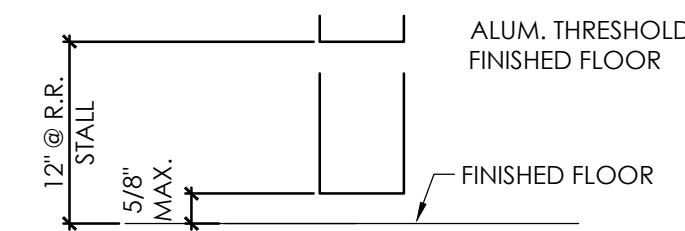
FRONT AND SIDE WINDOW (A)
 NOT TO SCALE



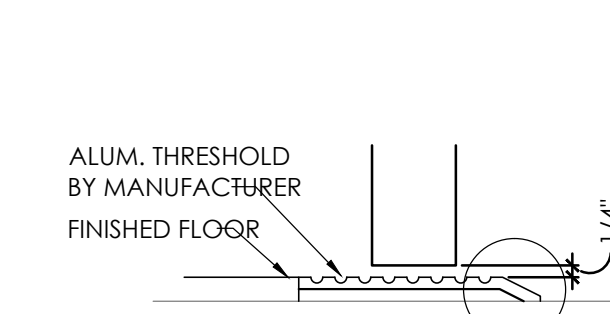
SINGLE SIDE WINDOW (B)
 NOT TO SCALE



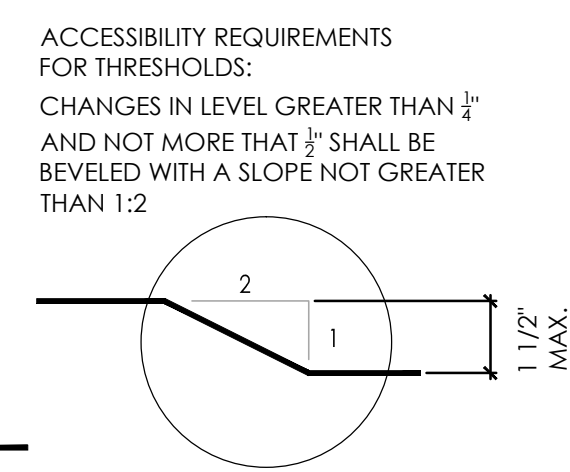
(A) THRESHOLD
 NOT TO SCALE



(B) THRESHOLD
 NOT TO SCALE



(C) THRESHOLD
 NOT TO SCALE

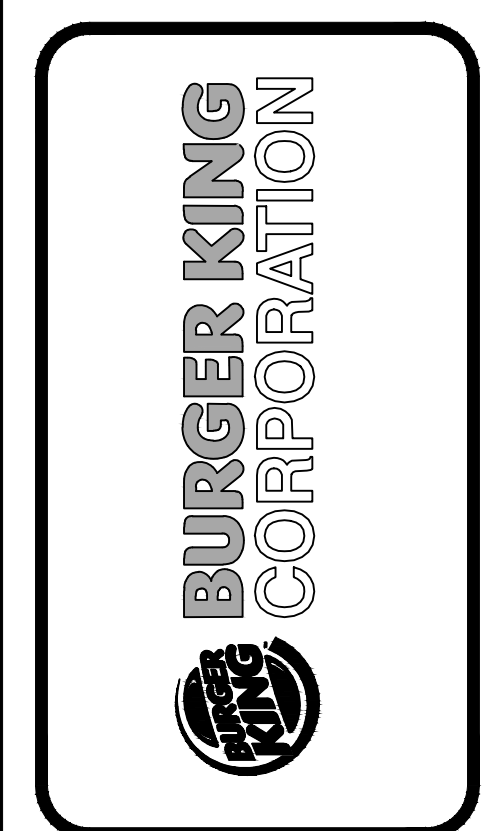


ACCESSIBILITY REQUIREMENTS FOR THRESHOLDS:
 CHANGES IN LEVEL GREATER THAN 1/4" AND NOT MORE THAN 3/4" SHALL BE BEVELED WITH A SLOPE NOT GREATER THAN 1:2

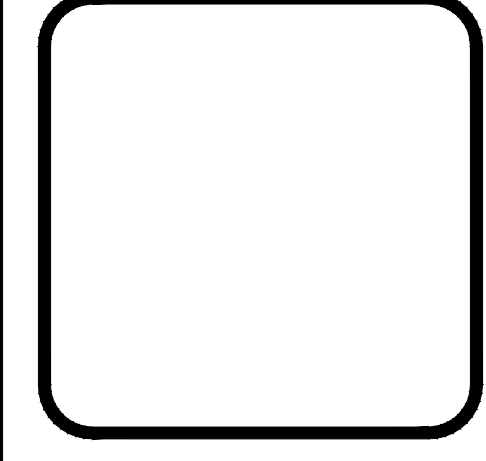
No.	Date	By	Notes
1	6/8/16	JW	SUBMITTED TO CITY
2	6/22/16	CG	REVISION 1

Drawn By: PM
 Checked: SB
 Scale: AS NOTED
 Date: 04.01.16

ALL RIGHTS RESERVED. NO PART OF THESE DRAWINGS OR SPECIFICATIONS MAY BE REPRODUCED OR USED IN CONNECTION WITH ANY WORK OTHER THAN THE SPECIFIC PROJECT FOR WHICH THEY HAVE BEEN PREPARED, WITHOUT PRIOR WRITTEN AUTHORIZATION FROM THE ARCHITECT.



TECHNICAL GROUP, INC.
 37716 Hills Tech Drive
 Farmington Hills, MI 48331
 (248) 426-8000
 FAX (248) 426-7004



PROJECT
 BURGER KING #5743
 3100 GRATIOT AVE.
 MARYSVILLE, MI

SHEET TITLE
 DOOR/WINDOW SCHEDULE
 & DETAILS

DO NOT SCALE THIS PRINT. USE FIGURED DIMENSIONS ONLY.

JOB #
 TG-16353

SHEET
 A-1.1