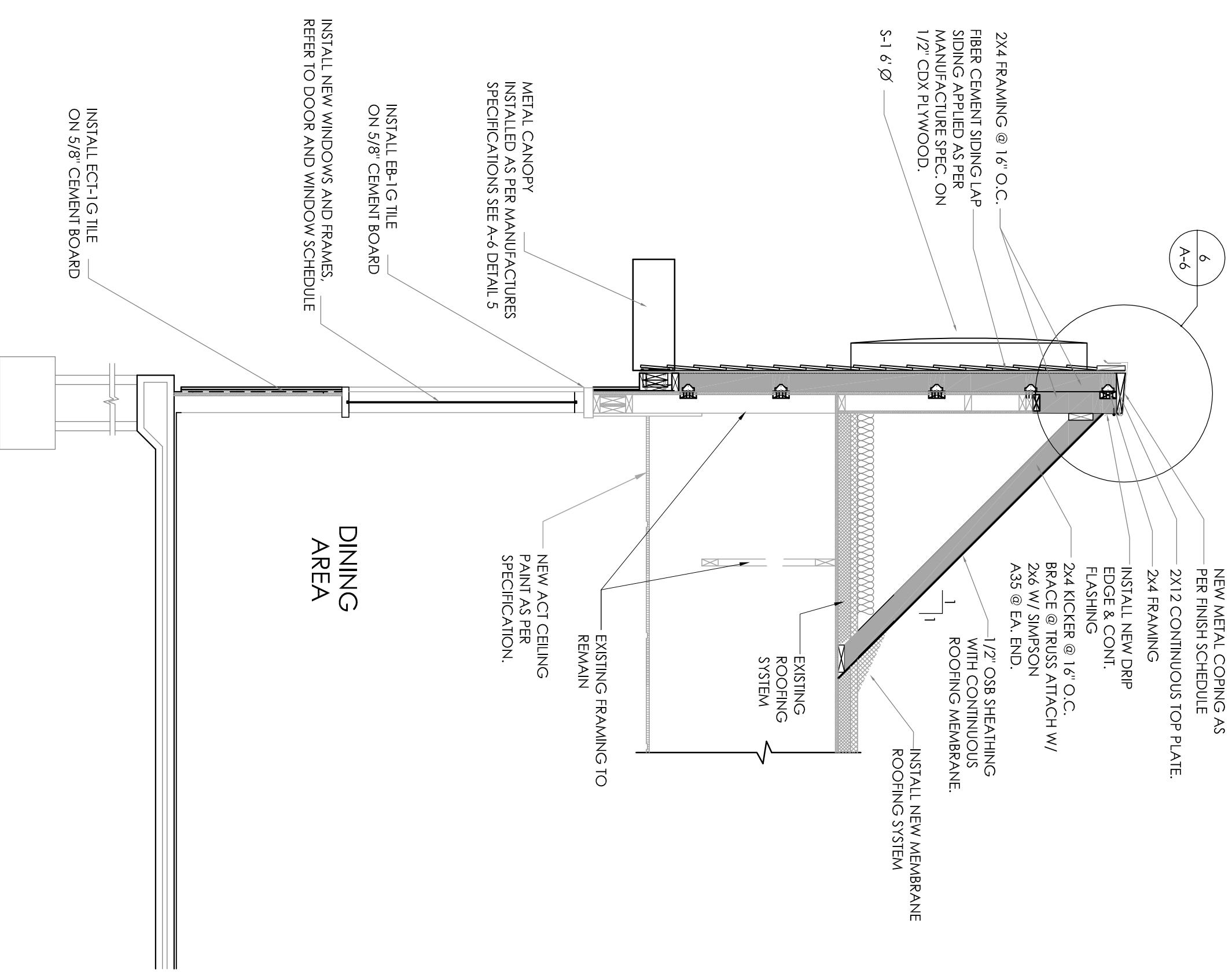


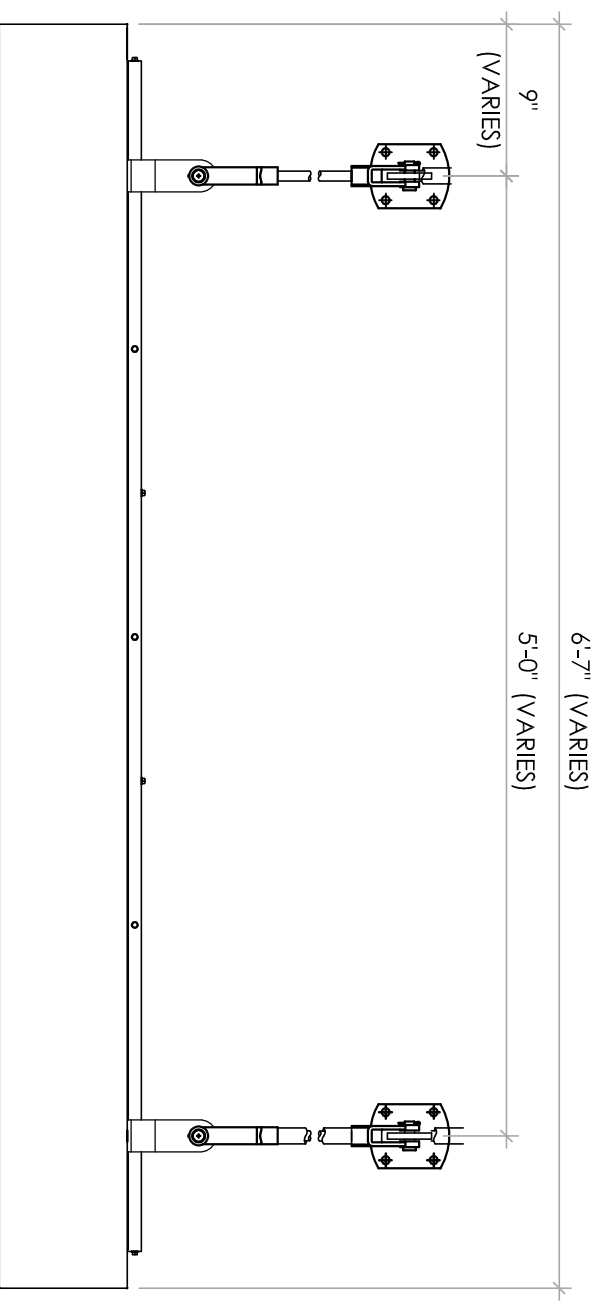
1 DEMO SECTION @ FRONT
SCALE: 1/2" = 1'-0"



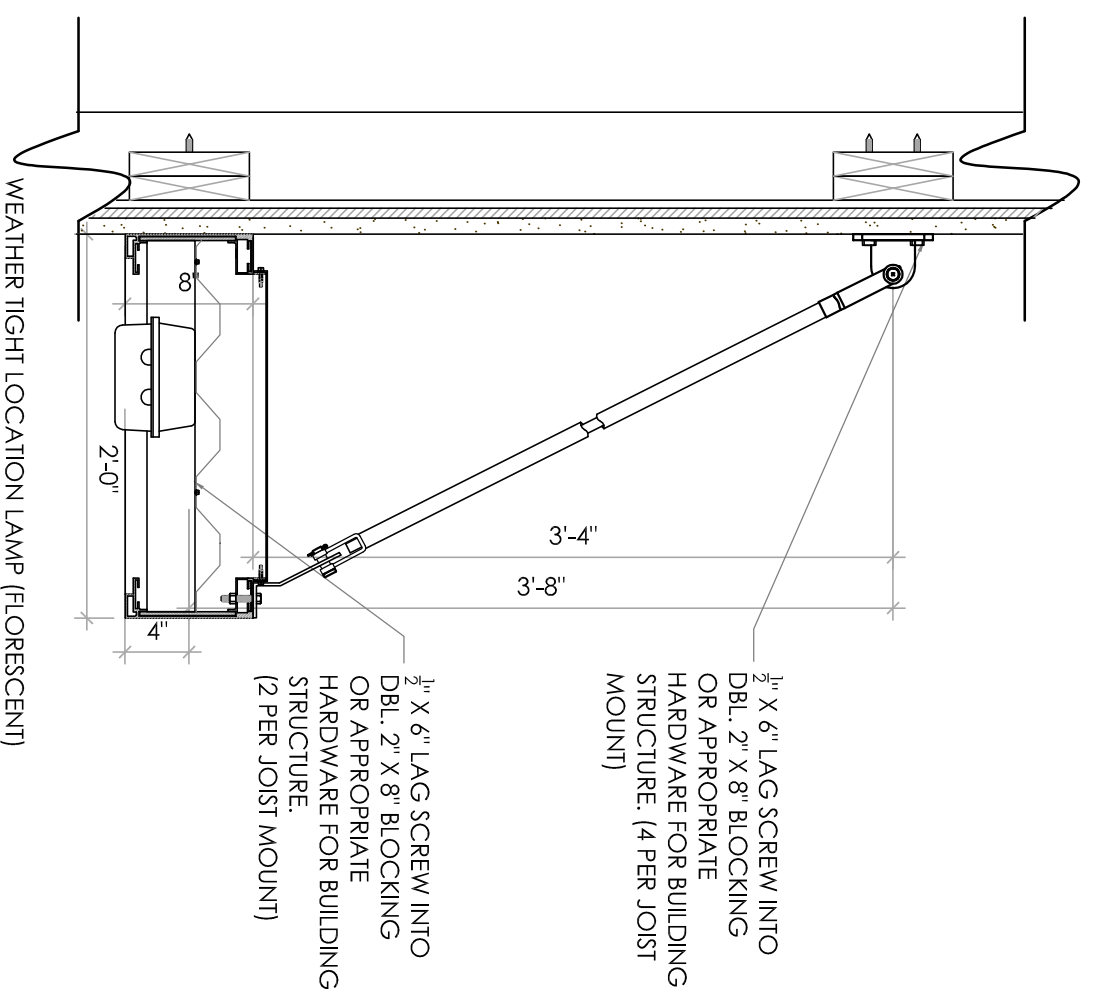
2 PROPOSED SECTION @ FRONT
SCALE: 1/2" = 1'-0"

GENERAL NOTES

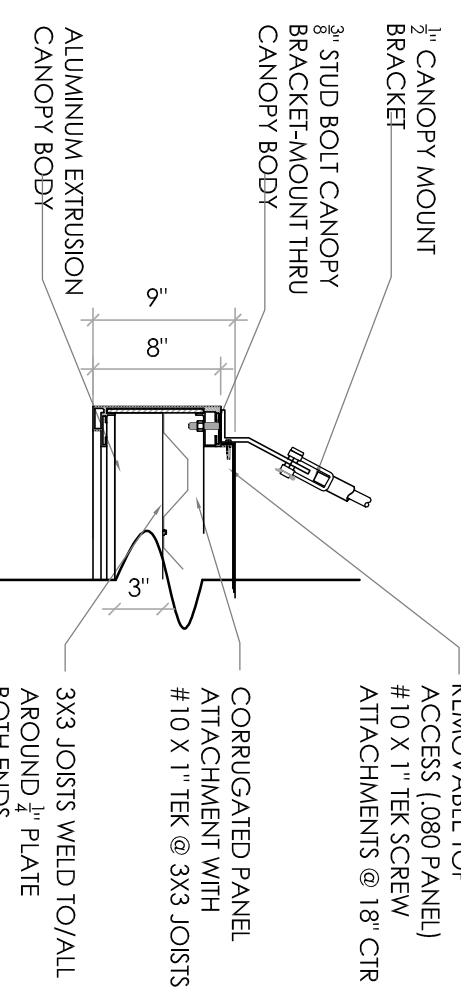
- ALL NICHA PANELS AND HARDIE PLANKS ARE TO BE INSTALLED PER MANUFACTURER'S SPECIFICATIONS. IF DISCREPANCIES OCCUR BETWEEN CONSTRUCTION DRAWINGS AND MANUFACTURER'S DETAILS, MANUFACTURER'S INSTALLATION INSTRUCTIONS AND FASTENING METHODS SHALL TAKE PRECEDENCE. THE CONTRACTOR SHALL VERIFY THE PRODUCT, MATERIALS AND METHODS USED TO VERIFY THE WORKMANSHIP. THE CONTRACTOR SHALL REFLECT ACTUAL CONDITIONS, G.C. TO VERIFY EXISTING CONDITIONS AND CONSULT WITH ARCHITECT ON DISCREPANCIES.



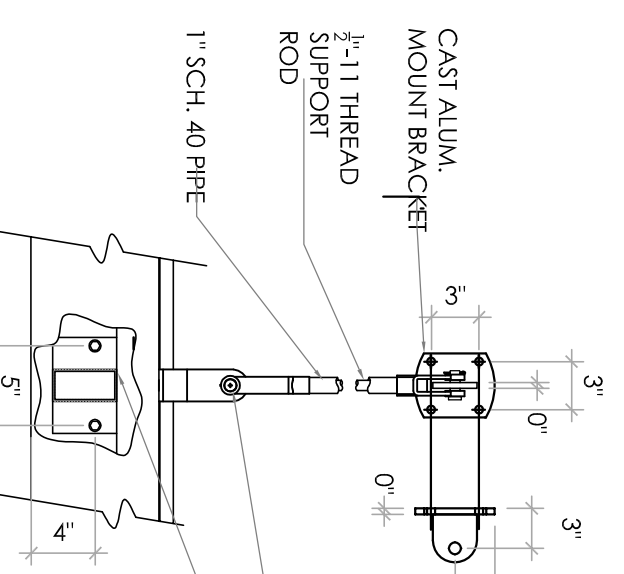
CANOPY FRONT VIEW
SCALE: 1" = 1'-0"



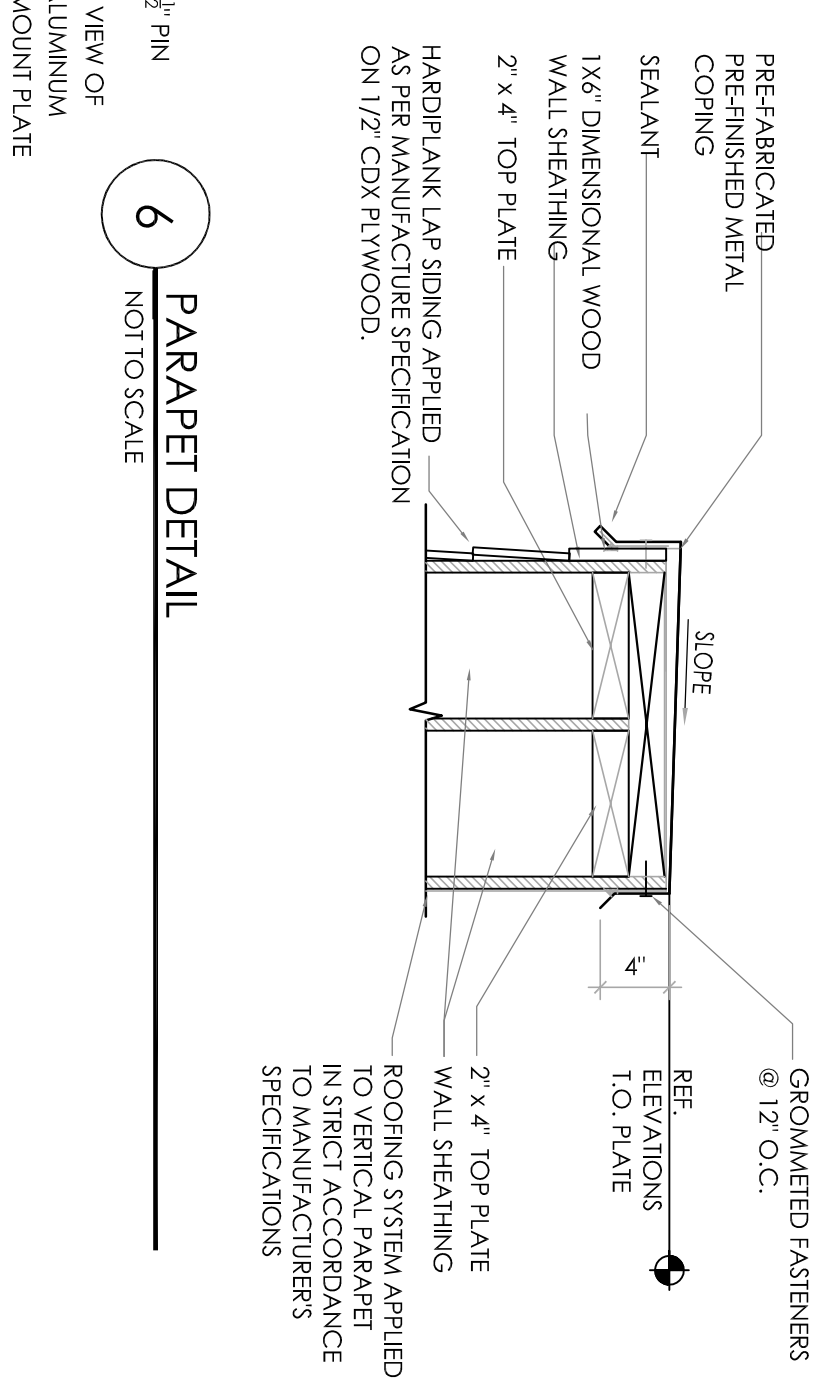
CANOPY SECTION VIEW
SCALE: 1" = 1'-0"



CANOPY SECTION THROUGH ROD SUPPORT
SCALE: 1" = 1'-0"



CANOPY THROUGH ROD SUPPORT DETAIL
SCALE: 1" = 1'-0"



6 PARAPET DETAIL
NOT TO SCALE

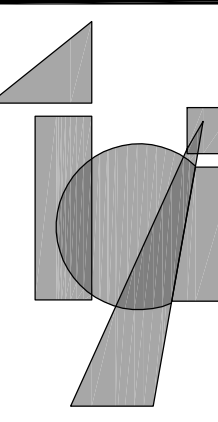
No.	Date	By	Notes
1	6.28.16	DB	SUBMITTED FOR PERMIT

Checked: JS
Scale: AS NOTED
Date: 04.05.16

ALL RIGHTS RESERVED. NO PART OF THESE DRAWINGS OR SPECIFICATIONS MAY BE COPIED, REPRODUCED OR USED IN CONNECTION WITH ANY WORK OTHER THAN THE SPECIFIC PROJECT FOR WHICH THEY HAVE BEEN PREPARED. WITHOUT PRIOR WRITTEN AUTHORIZATION FROM THE ARCHITECT.



TECHNICAL GROUP, INC.
37716 Hills Tech Drive
Farmington Hills, MI 48331
(248) 426-8000
FAX (248) 426-7004



PROJECT
BURGER KING #886
1912 S. MISSION RD
MT. PLEASANT, MI 48858

SHEET TITLE
WALL SECTIONS & DETAILS

JOB #
TG-16379

SHEET
A-6