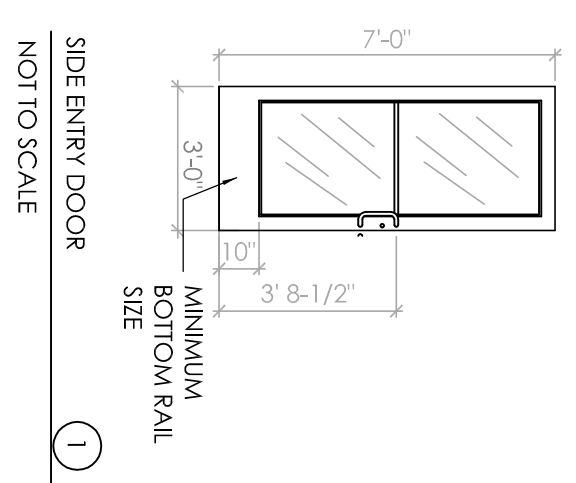
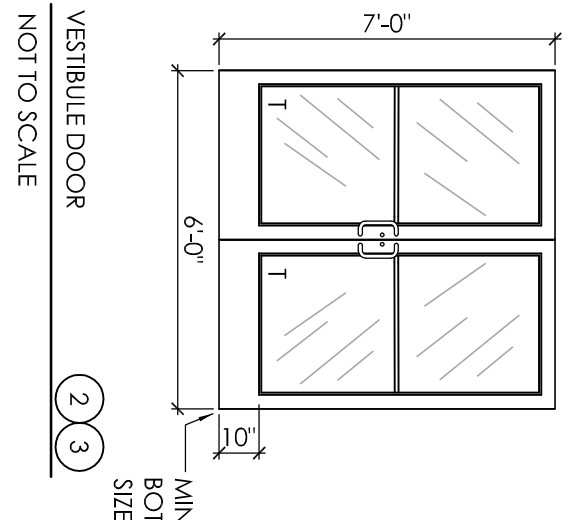


DOOR AND WINDOW SCHEDULE

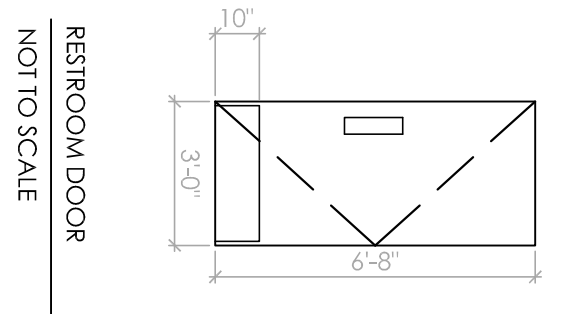
DOOR	GLAZING	FRAME	REMARKS
<p>OPENING: 6'-0" x 7'-0" x 1/2" x AD X AF MATERIAL: COPPLY WITH HECC 2009 ENERGY FACTOR FINISH - REFER TO SHEET A-2</p> <p>HARDWARE ENRANCE DOOR HARDWARE SHALL CONSIST OF OFFSET PIVOTS, ADAMS RITE AS 1825 DEAD BOLT LOCK, NORTON 1405 SURFACE CLOSER WITH BACK CHECK, 9" CLASSIC STRAIGHT DOOR PULL IN POLISHED STAINLESS OR POLISHED CHROME AND THRESHOLDS SHALL BE OMITTED ON INTERIOR. VESTIBULE DOORS, IF LOCKS, CYLINDERS, AND THRESHOLDS SHALL BE PROVIDED ON THE EXTERIOR OF ALL DOORS EXCEPT AT MAIN ENTRY.</p>	<p>GLAZING FOR EXTERIOR DOORS TO COMPLY WITH HECC 2009 ENERGY FACTOR FINISH - REFER TO SHEET A-2</p> <p>ALL GLAZED ENTRANCE DOORS MAXIMUM AIR LEAKAGE RATE SHALL BE 1.00 CFM/FT² OF DOOR AREA WHEN TESTED IN ACCORDANCE WITH ASTM E 283, 45-LF FACTOR REQUIRED.</p> <p>HEAD: USE EXISTING SEE WALL SECTION, JAMB: USE EXISTING, SEE WALL SECTION, THRESHOLD: IF APPLICABLE (A)</p>	<p>MATERIAL: EXISTING MATERIAL FINISH TO MATCH DOORS</p> <p>DUMMY CYLINDERS SHALL BE PROVIDED ON THE EXTERIOR OF ALL DOORS EXCEPT AT MAIN ENTRY.</p>	
<p>OPENING: 3'-0" x 7'-0" x 1/2" x AD X AF MATERIAL: COPPLY WITH HECC 2009 ENERGY FACTOR FINISH - REFER TO SHEET A-2</p> <p>HARDWARE HINGES: OFFSET PIVOTS, LOCKSET, ADAMS RITE DEAD BOLT, AS 1825 FLUSH BOLTS, 1 PAIR SURFACE CLOSER, NORTON 1405 WITH BACK CHECK 9" CLASSIC STRAIGHT DOOR PULL IN POLISHED STAINLESS OR CHROME AND STANDKAD THRESHOLDS (STANDKAD)</p>	<p>GLAZING FOR EXTERIOR DOORS TO COMPLY WITH HECC 2009 ENERGY FACTOR FINISH - REFER TO SHEET A-2</p> <p>ALL GLAZED ENTRANCE DOORS MAXIMUM AIR LEAKAGE RATE SHALL BE 1.00 CFM/FT² OF DOOR AREA WHEN TESTED IN ACCORDANCE WITH ASTM E 283, 45-LF FACTOR REQUIRED.</p> <p>HEAD: USE EXISTING SEE WALL SECTION, JAMB: USE EXISTING, SEE WALL SECTION, THRESHOLD: IF APPLICABLE (A)</p>	<p>MATERIAL: EXISTING MATERIAL FINISH TO MATCH DOORS</p> <p>DUMMY CYLINDERS SHALL BE PROVIDED ON THE EXTERIOR OF ALL DOORS EXCEPT AT MAIN ENTRY.</p>	
<p>OPENING: 3'-0" x 6'-8" x 1/2" x WD X MF MATERIAL: EXISTING FINISH: P-1-L</p> <p>EACH DOOR TO RECEIVE: HINGES: 3 EACH HAGER 881279 4 1/2" x 4 LOCKSET: 1 EACH I.C.N. 0271 x 626 CLOSER: 1 EACH I.C.N. 1441 x 689 PULL: 1 EACH HAGER 305 4 1/6 628 KICK PLATE: 1 EACH HAGER 241E 415262 FLOOR STOP: 2 EACH HAGER 1253 10X2" LDW KICK PLATES: 628 (INSTALL W/FLAT HEAD PHILLIPS HEAD SCREWS)</p> <p>SILENCERS: 3 EACH HAGER 307D RRR AIR FLOW WHEN HVAC SUPPLY NOT PROVIDED.</p>	<p>GLAZING FOR EXTERIOR DOORS TO COMPLY WITH HECC 2009 ENERGY FACTOR FINISH - REFER TO SHEET A-2</p> <p>ALL GLAZED ENTRANCE DOORS MAXIMUM AIR LEAKAGE RATE SHALL BE 1.00 CFM/FT² OF DOOR AREA WHEN TESTED IN ACCORDANCE WITH ASTM E 283, 45-LF FACTOR REQUIRED.</p> <p>HEAD: USE EXISTING SEE WALL SECTION, JAMB: USE EXISTING, SEE WALL SECTION, THRESHOLD: IF APPLICABLE (A)</p>	<p>MATERIAL: EXISTING MATERIAL FINISH TO MATCH DOORS</p> <p>DUMMY CYLINDERS SHALL BE PROVIDED ON THE EXTERIOR OF ALL DOORS EXCEPT AT MAIN ENTRY.</p>	
<p>OPENING: 3'-0" x 6'-8" x 1/2" x WD X MF MATERIAL: EXISTING FINISH: P-4-L</p> <p>EACH DOOR TO RECEIVE: HINGES: 3 EACH HAGER 881279 4 1/2" x 4 LOCKSET: 1 EACH I.C.N. 0271 x 626 CLOSER: 1 EACH I.C.N. 1441 x 689 PULL: 1 EACH HAGER 305 4 1/6 628 KICK PLATE: 1 EACH HAGER 241E 415262 FLOOR STOP: 2 EACH HAGER 1253 10X2" LDW KICK PLATES: 628 (INSTALL W/FLAT HEAD PHILLIPS HEAD SCREWS)</p> <p>SILENCERS: 3 EACH HAGER 307D RRR AIR FLOW WHEN HVAC SUPPLY NOT PROVIDED.</p>	<p>GLAZING FOR EXTERIOR DOORS TO COMPLY WITH HECC 2009 ENERGY FACTOR FINISH - REFER TO SHEET A-2</p> <p>ALL GLAZED ENTRANCE DOORS MAXIMUM AIR LEAKAGE RATE SHALL BE 1.00 CFM/FT² OF DOOR AREA WHEN TESTED IN ACCORDANCE WITH ASTM E 283, 45-LF FACTOR REQUIRED.</p> <p>HEAD: USE EXISTING SEE WALL SECTION, JAMB: USE EXISTING, SEE WALL SECTION, THRESHOLD: IF APPLICABLE (A)</p>	<p>MATERIAL: EXISTING MATERIAL FINISH TO MATCH DOORS</p> <p>DUMMY CYLINDERS SHALL BE PROVIDED ON THE EXTERIOR OF ALL DOORS EXCEPT AT MAIN ENTRY.</p>	
<p>OPENING: 2'-4" x 6'-8" MATERIAL: SOLID CORE HPL/GLASS FINISH: REBLENCHED SHEETS</p> <p>EACH DOOR TO RECEIVE: HINGES: 3 EACH HAGER: 881279 4 1/2" x 4 1/2" x 652 LOCKSET: 1 EACH SCHLAGE: A159D SAT x 626 CLOSER: 1 EACH HAGER 241E 415262 KICK PLATES: 2 EACH HAGER: 1253 10X2" LDW (INSTALL W/FLAT HEAD PHILLIPS HEAD SCREWS)</p> <p>SILENCERS: 3 EACH HAGER 307D RRR</p>	<p>GLAZING FOR EXTERIOR DOORS TO COMPLY WITH HECC 2009 ENERGY FACTOR FINISH - REFER TO SHEET A-2</p> <p>ALL GLAZED ENTRANCE DOORS MAXIMUM AIR LEAKAGE RATE SHALL BE 1.00 CFM/FT² OF DOOR AREA WHEN TESTED IN ACCORDANCE WITH ASTM E 283, 45-LF FACTOR REQUIRED.</p> <p>HEAD: USE EXISTING SEE WALL SECTION, JAMB: USE EXISTING, SEE WALL SECTION, THRESHOLD: USE EXISTING</p>	<p>AS AN OPTION, IN LIEU OF SOLID CORE DOORS AND HOLLOW METAL FRAMES, DOORS MAY BE ORDERED WITH ALUMINUM FRAMES (REF: ID SHEETS FOR COLOR)</p>	
<p>OPENING: 3'-8" x 7'-0" x 1/2" x MD X MF MATERIAL: HOLLOW METAL FINISH: PAINT - REFER TO SHEET A-2</p> <p>EACH DOOR TO RECEIVE: HINGES: 1 EACH HAGER 253 X 2C X HAND REQUIRED REIN. PIVOT: 1 EACH HAGER 881168 4 1/2" x 4 1/2" x 0.53" x 689 CLOSER: 1 EACH VON DUPRN 2250 X 689 KICK PLATES: 1 EACH HAGER 241E 415262 W/FLAT HEAD PHILLIPS HEAD SCREWS)</p> <p>DOOR SYSTEM: 1 EACH LANTIONA GUARD 2004 X 48 WEATHERSEAL: 2884</p>	<p>GLAZING FOR EXTERIOR DOORS TO COMPLY WITH HECC 2009 ENERGY FACTOR FINISH - REFER TO SHEET A-2</p> <p>ALL GLAZED ENTRANCE DOORS MAXIMUM AIR LEAKAGE RATE SHALL BE 1.00 CFM/FT² OF DOOR AREA WHEN TESTED IN ACCORDANCE WITH ASTM E 283, 45-LF FACTOR REQUIRED.</p> <p>HEAD: USE EXISTING SEE WALL SECTION, JAMB: USE EXISTING, SEE WALL SECTION, THRESHOLD: IF APPLICABLE (C)</p> <p>NOTE: GC TO VERIFY DOOR SITES & SWING.</p>	<p>MATERIAL: HOLLOW METAL FINISH: PAINT - REFER TO SHEET A-2</p>	



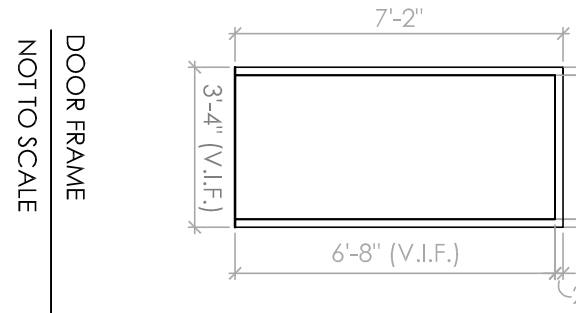
1 SIDE ENTRY DOOR NOT TO SCALE



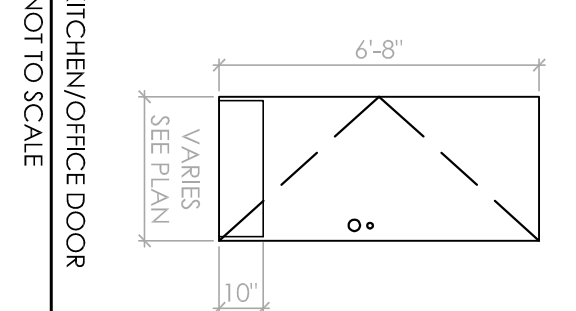
2 VESTIBULE DOOR NOT TO SCALE



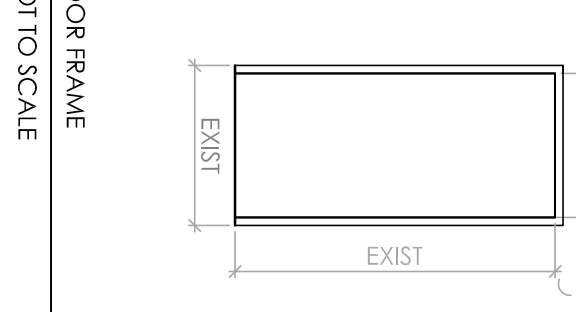
3 REAR ROOM DOOR NOT TO SCALE



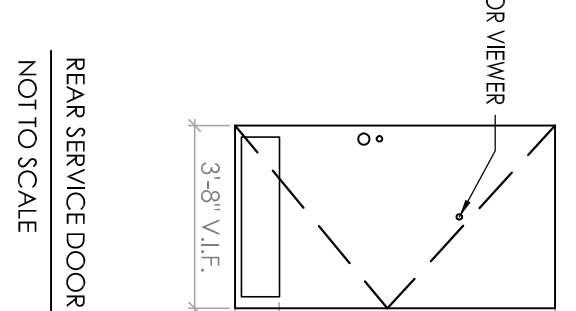
4 DOOR FRAME NOT TO SCALE



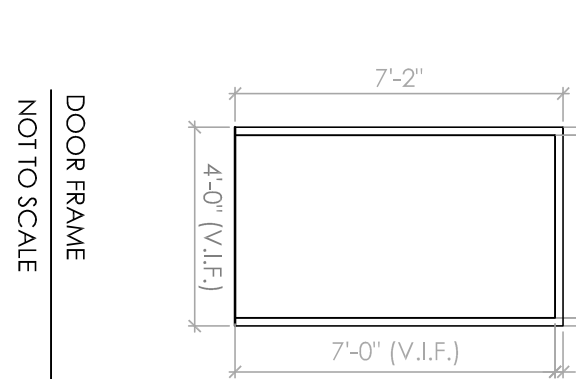
5 KITCHEN/OFFICE DOOR NOT TO SCALE



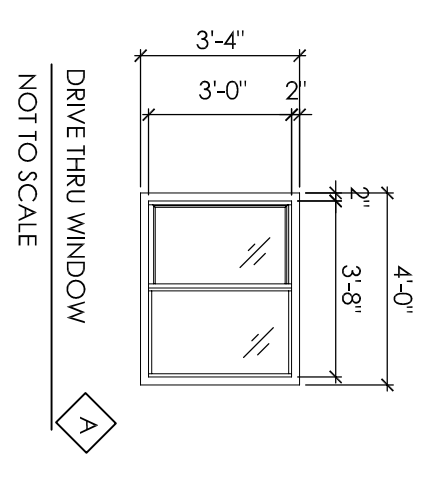
6 DOOR FRAME NOT TO SCALE



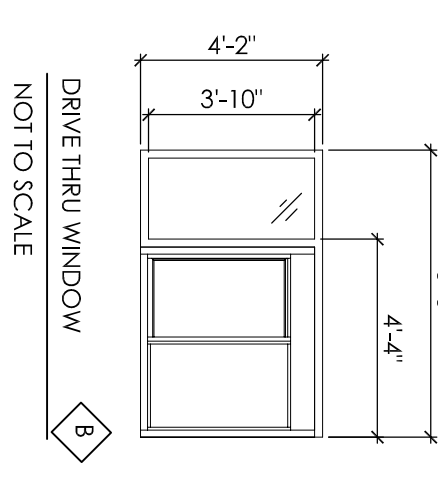
7 REAR SERVICE DOOR NOT TO SCALE



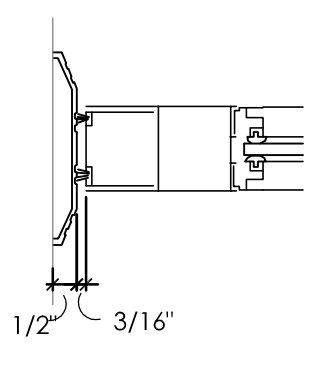
8 DOOR FRAME NOT TO SCALE



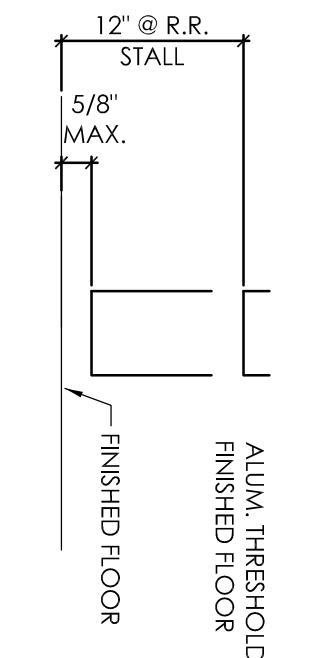
A DRIVE THRU WINDOW NOT TO SCALE



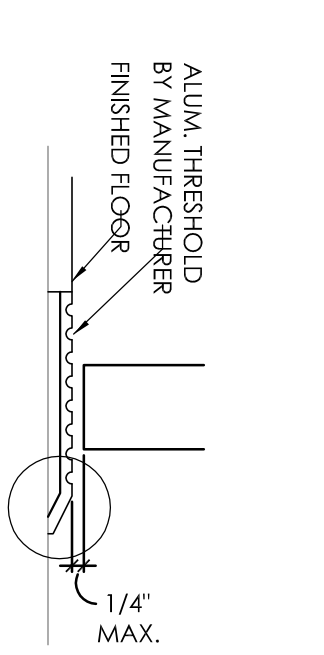
B DRIVE THRU WINDOW NOT TO SCALE



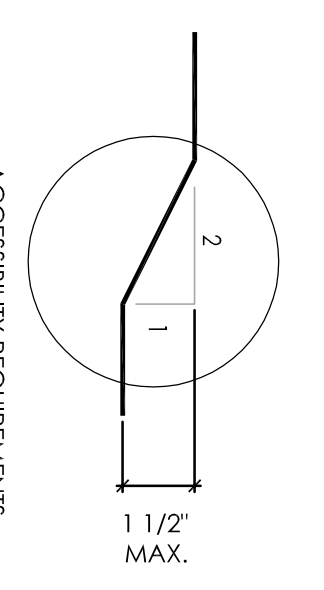
A THRESHOLD NOT TO SCALE



B THRESHOLD NOT TO SCALE



C THRESHOLD NOT TO SCALE



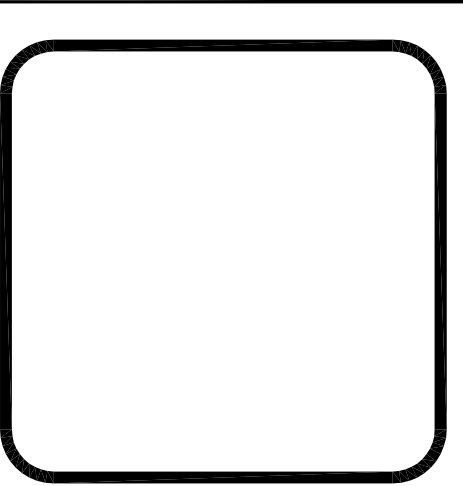
ACCESSIBILITY REQUIREMENTS FOR THRESHOLDS: CHANGES IN LEVEL GREATER THAN 1/4" AND NOT MORE THAN 1/2" SHALL BE BEVELLED WITH A SLOPE NOT GREATER THAN 1:2

PROJECT: BURGER KING #886, 1912 S. MISSION RD, MT. PLEASANT, MI 48858

SHEET TITLE: DOOR/WINDOW SCHEDULE & DETAILS

JOB # TG-16379

SHEET A-1.1



TECHNICAL GROUP, INC. 3771 1/2 Hills Tech Drive Farmington Hills, MI 48331 (248) 426-8000 FAX (248) 426-7004

BURGER KING CORPORATION

Checked by: AS NOB Date: 04.05.16

NO. 1 Date 4.28.16 By DB Notes SUBMITTED FOR PERMIT

ALL RIGHTS RESERVED. NO PART OF THESE DRAWINGS OR SPECIFICATIONS MAY BE COPIED, REPRODUCED OR USED IN CONNECTION WITH ANY WORK, OTHER THAN THE SPECIFIC PROJECT FOR WHICH THEY HAVE BEEN PREPARED, WITHOUT PRIOR WRITTEN AUTHORIZATION FROM THE ARCHITECT.