

Kathleen Day, Architect
 8535 Ferry Road
 Waynesville, OH 45068
 617-331-2545
 kathlendayarchitect@gmail.com

ENGINEER:
TCS
ENGINEERING, LLC
 WV CO#A - C03819-00
 1999 CALLOWAY LANE
 FRISCO, TEXAS 75034
 PH: 972-849-2987
 FAX: 972-712-5038
 EMAIL: trav@tcseng.com

WV CO#A C03819-00
 REGISTERED
 17717
 STATE OF
 WEST VIRGINIA
 PROFESSIONAL ENGINEER
 02.29.16

RETAINING WALL	02.29.16

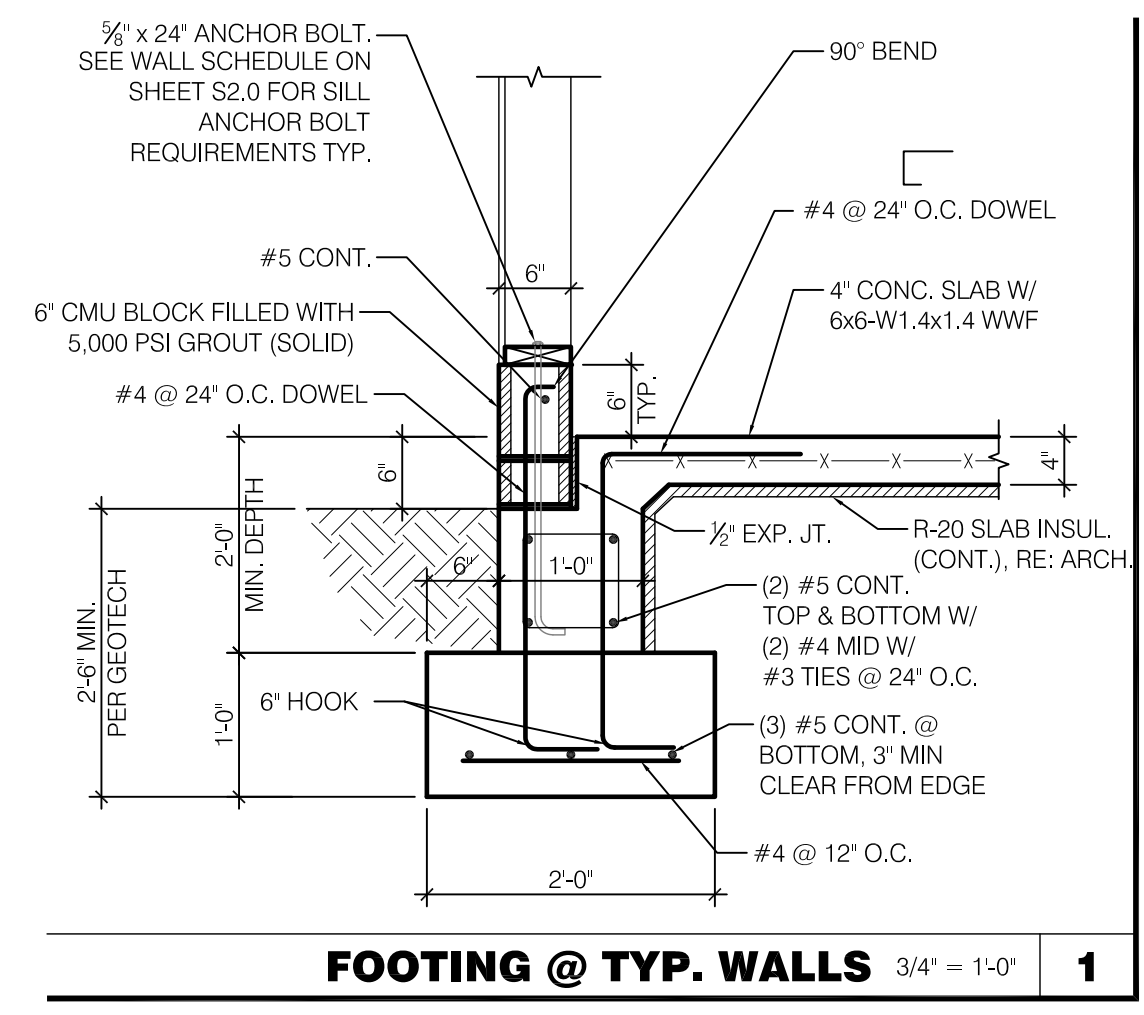
CONTRACT DATE: 11.05.15
 BUILDING TYPE: LIVE MAS-Medium 40
 PLAN VERSION: REV P -- NOV 15
 SITE NUMBER:
 STORE NUMBER:

TACO BELL
 770 National Road
 Wheeling, WV 26003

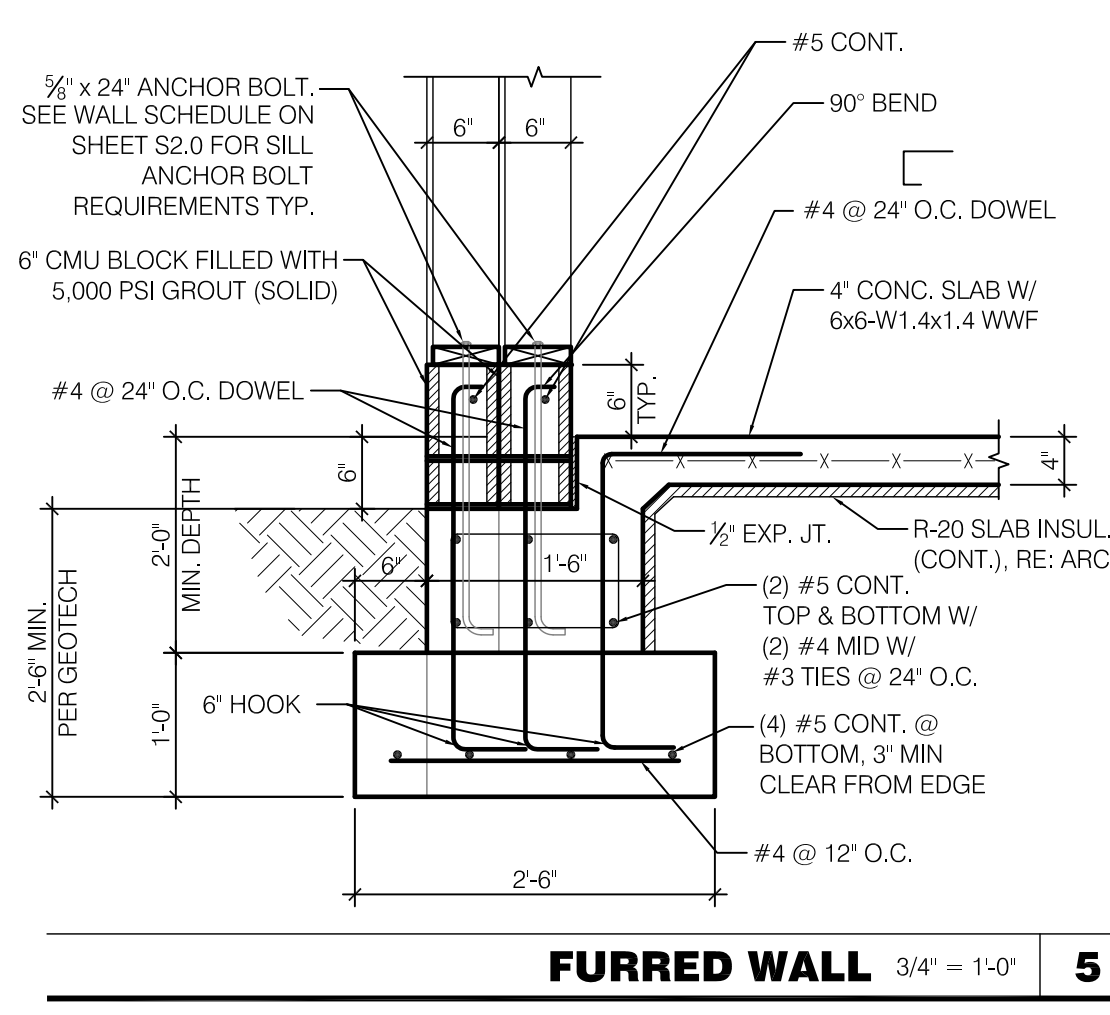
TACO BELL
LIVE MAS
 MEDIUM 40

FOUNDATION
DETAILS
S4.0

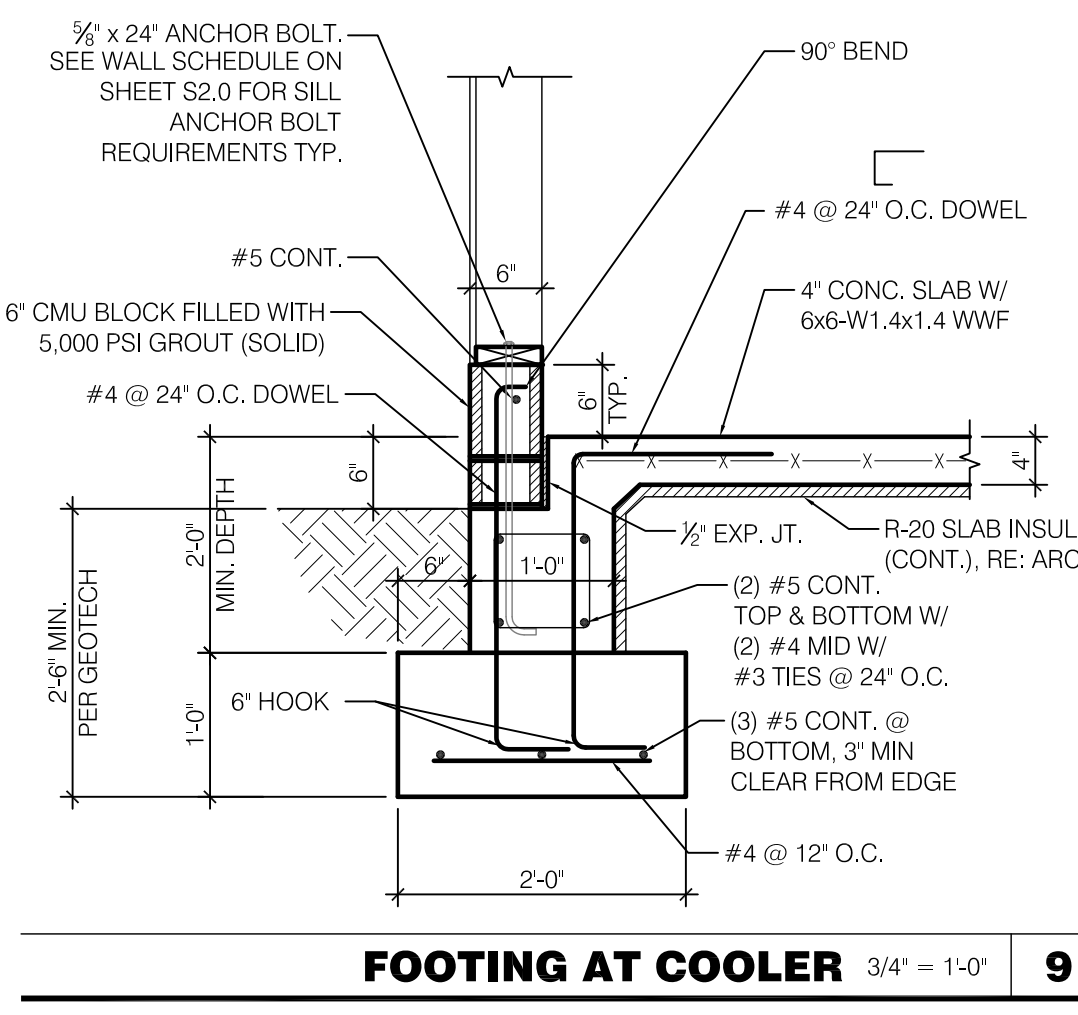
PERMIT PLOT DATE: 02.29.16



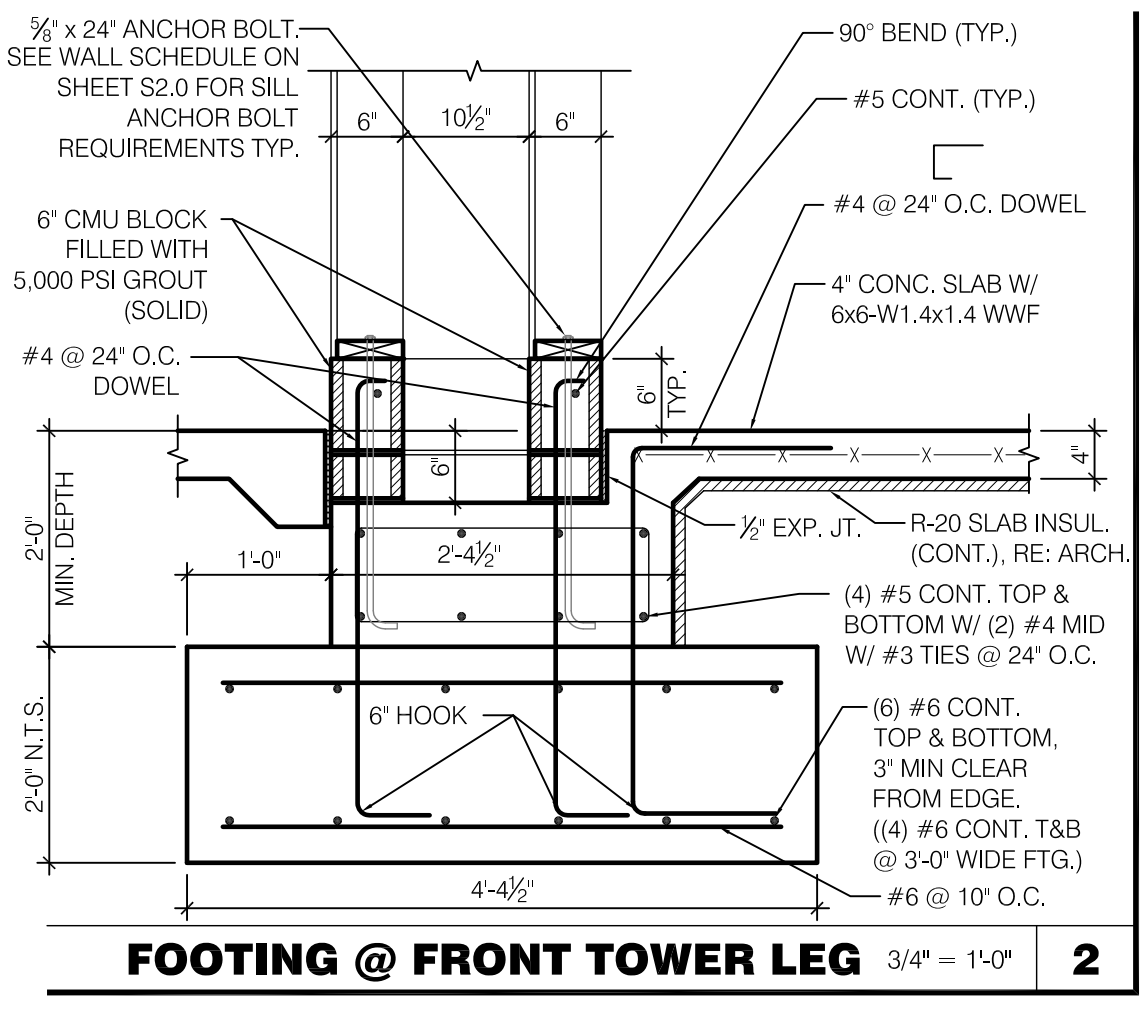
FOOTING @ TYP. WALLS 3/4" = 1'-0" **1**



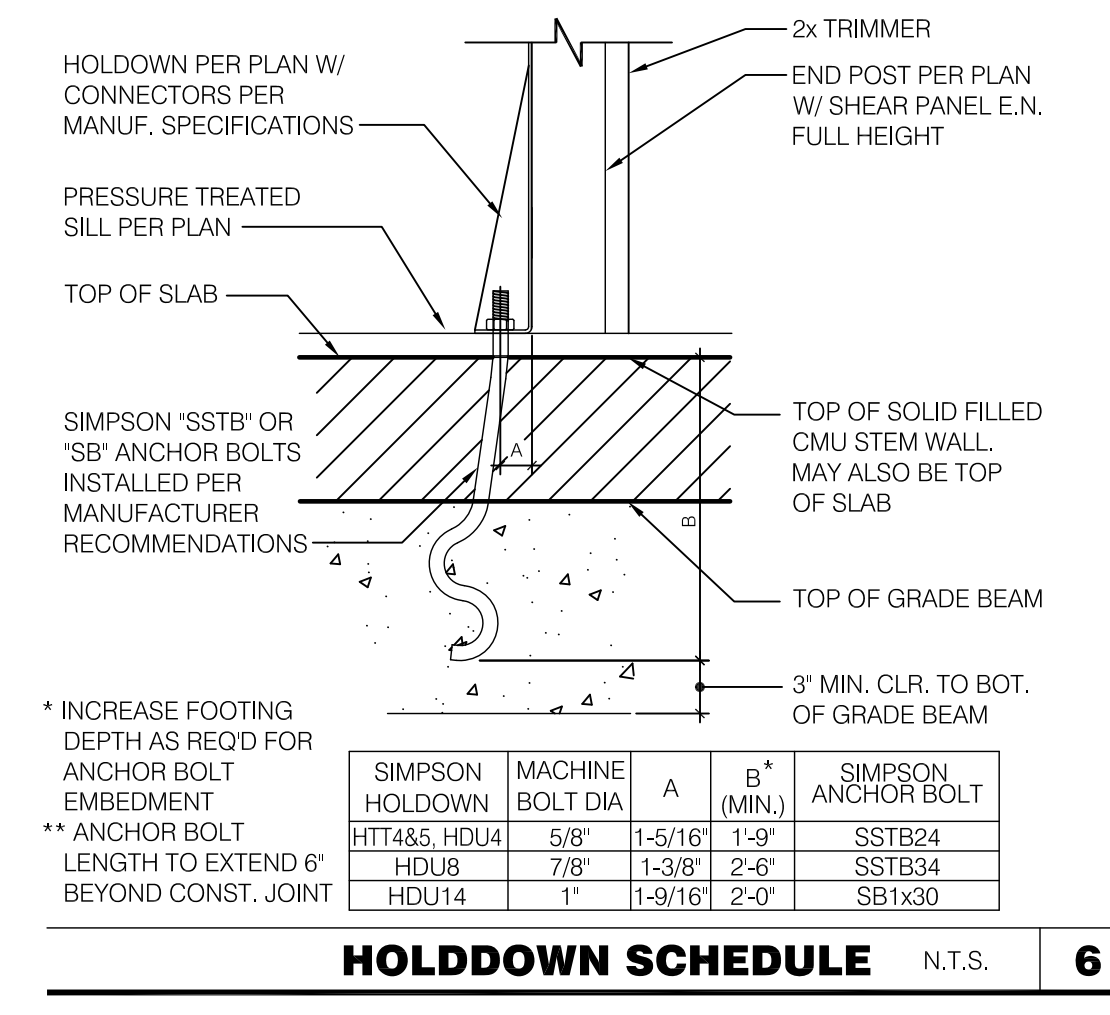
FURRED WALL 3/4" = 1'-0" **5**



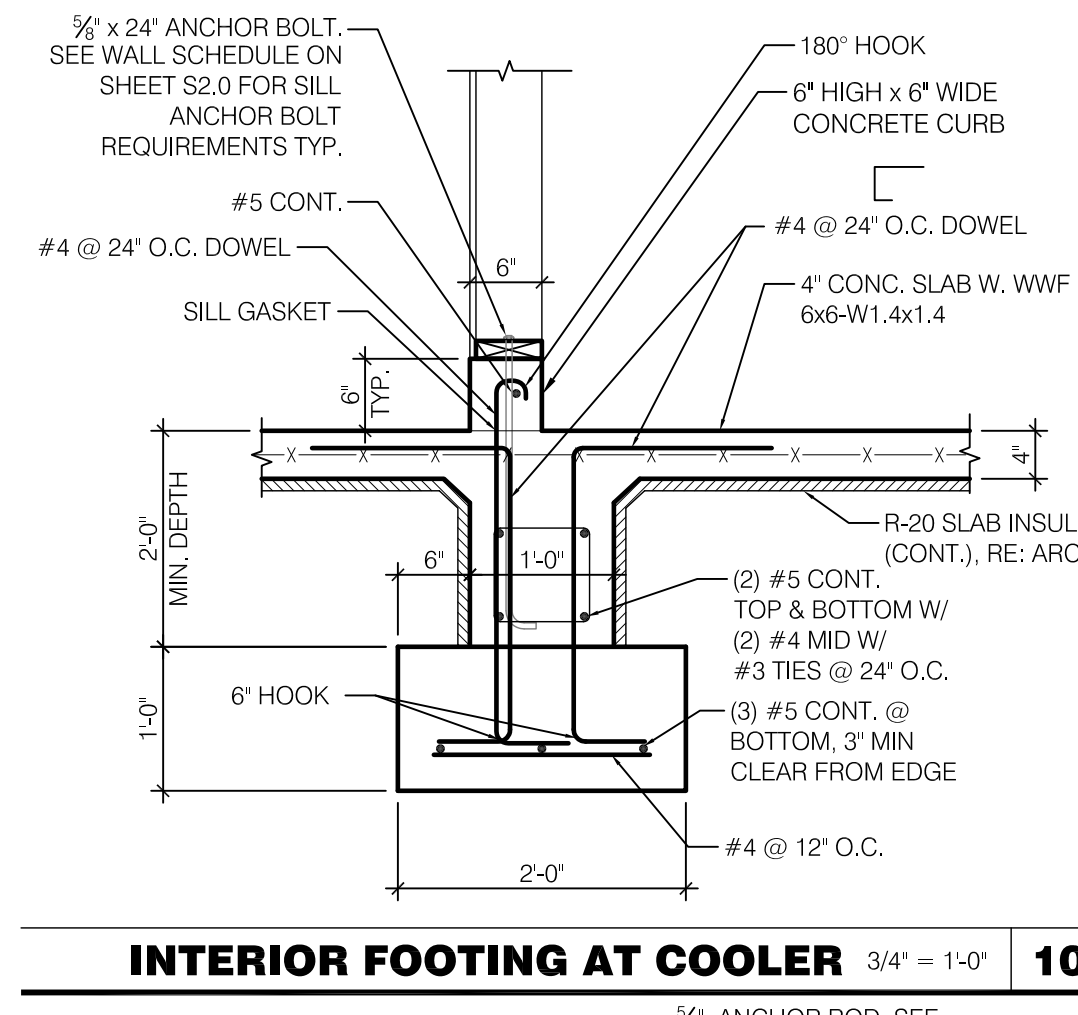
FOOTING AT COOLER 3/4" = 1'-0" **9**



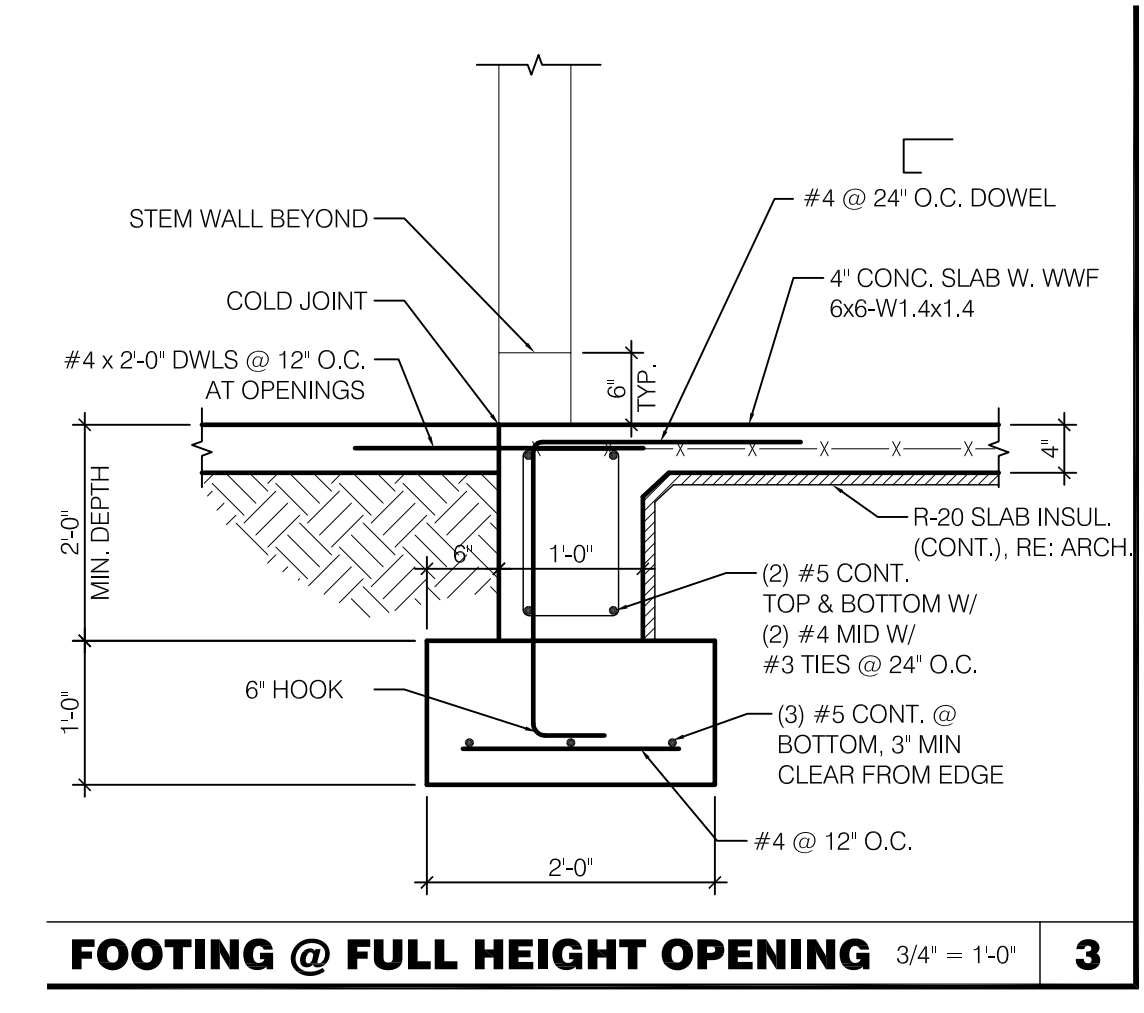
FOOTING @ FRONT TOWER LEG 3/4" = 1'-0" **2**



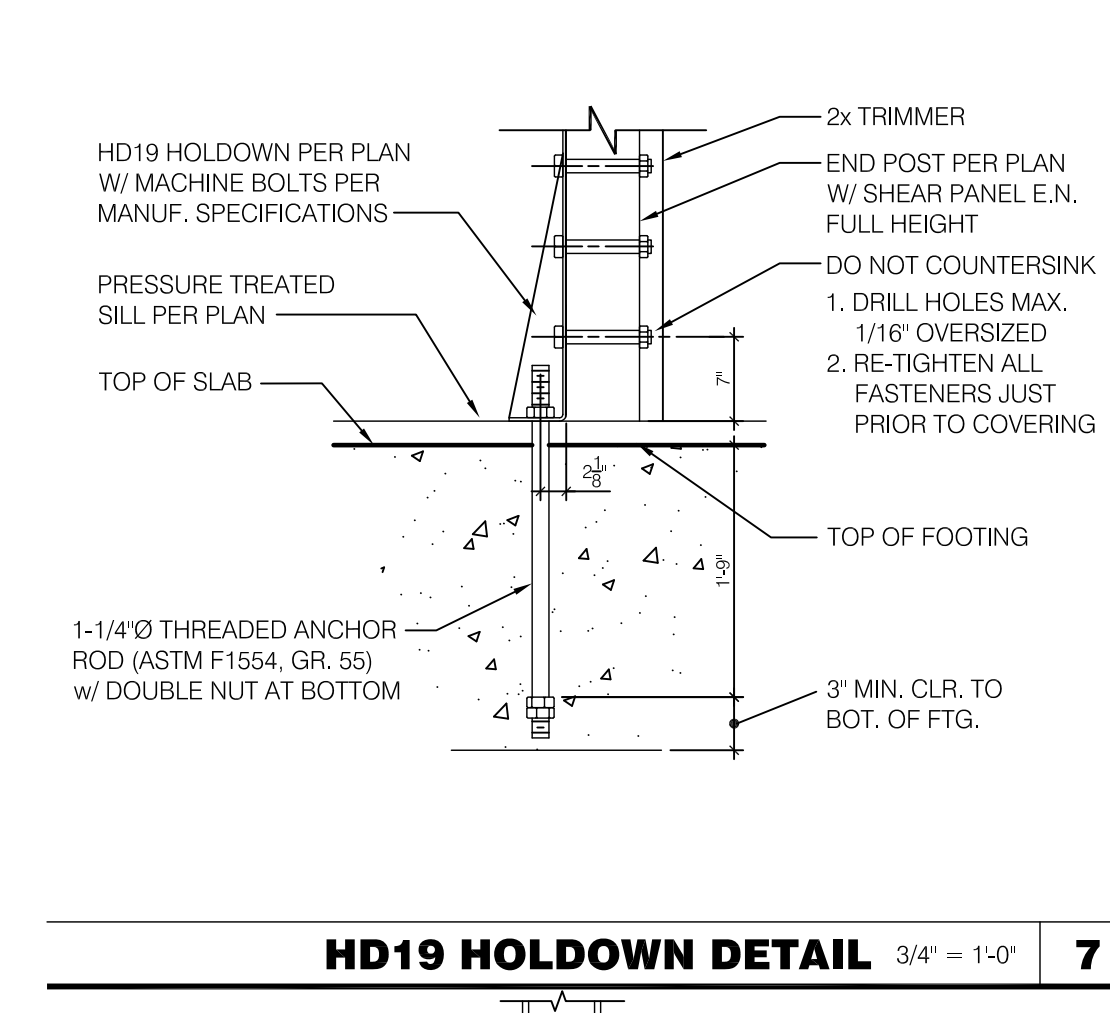
HOLDDOWN SCHEDULE N.T.S. **6**



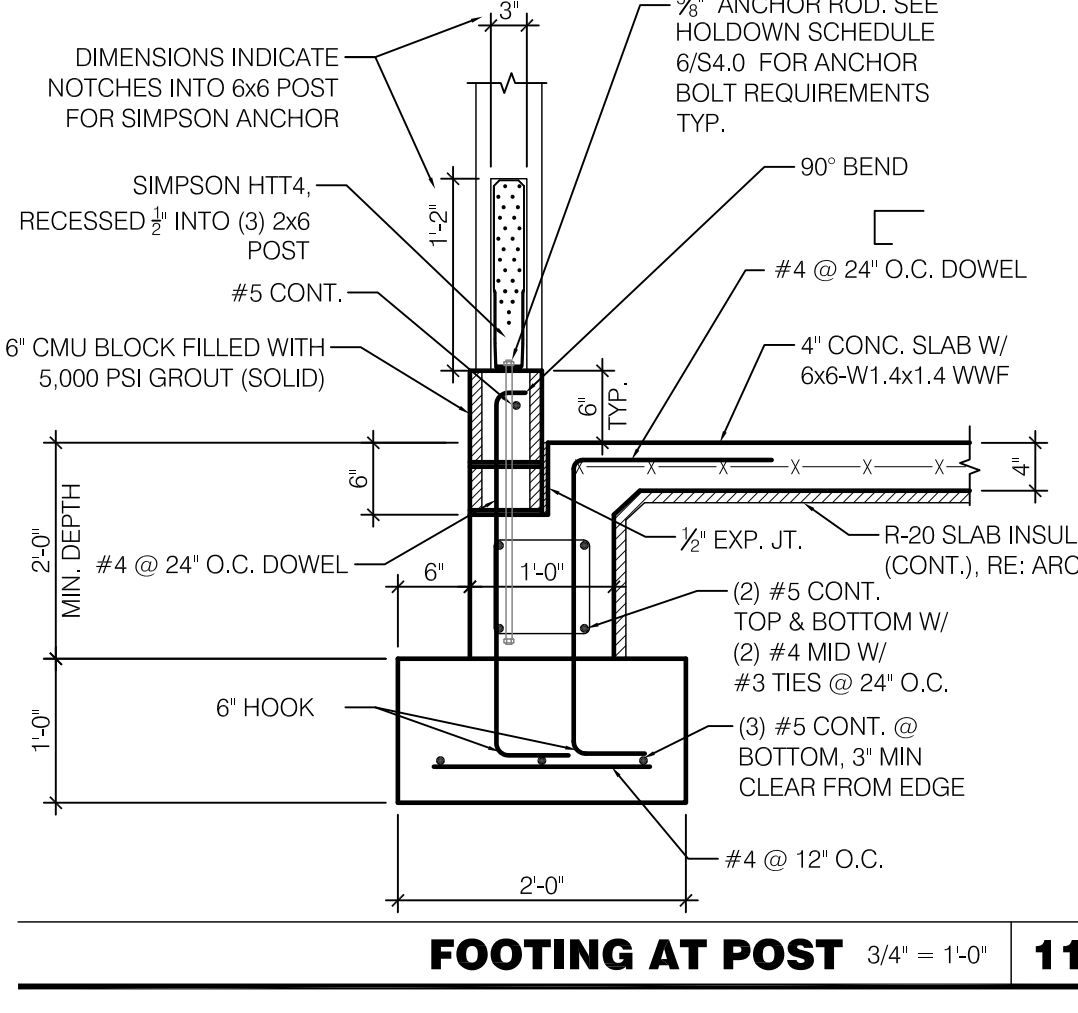
INTERIOR FOOTING AT COOLER 3/4" = 1'-0" **10**



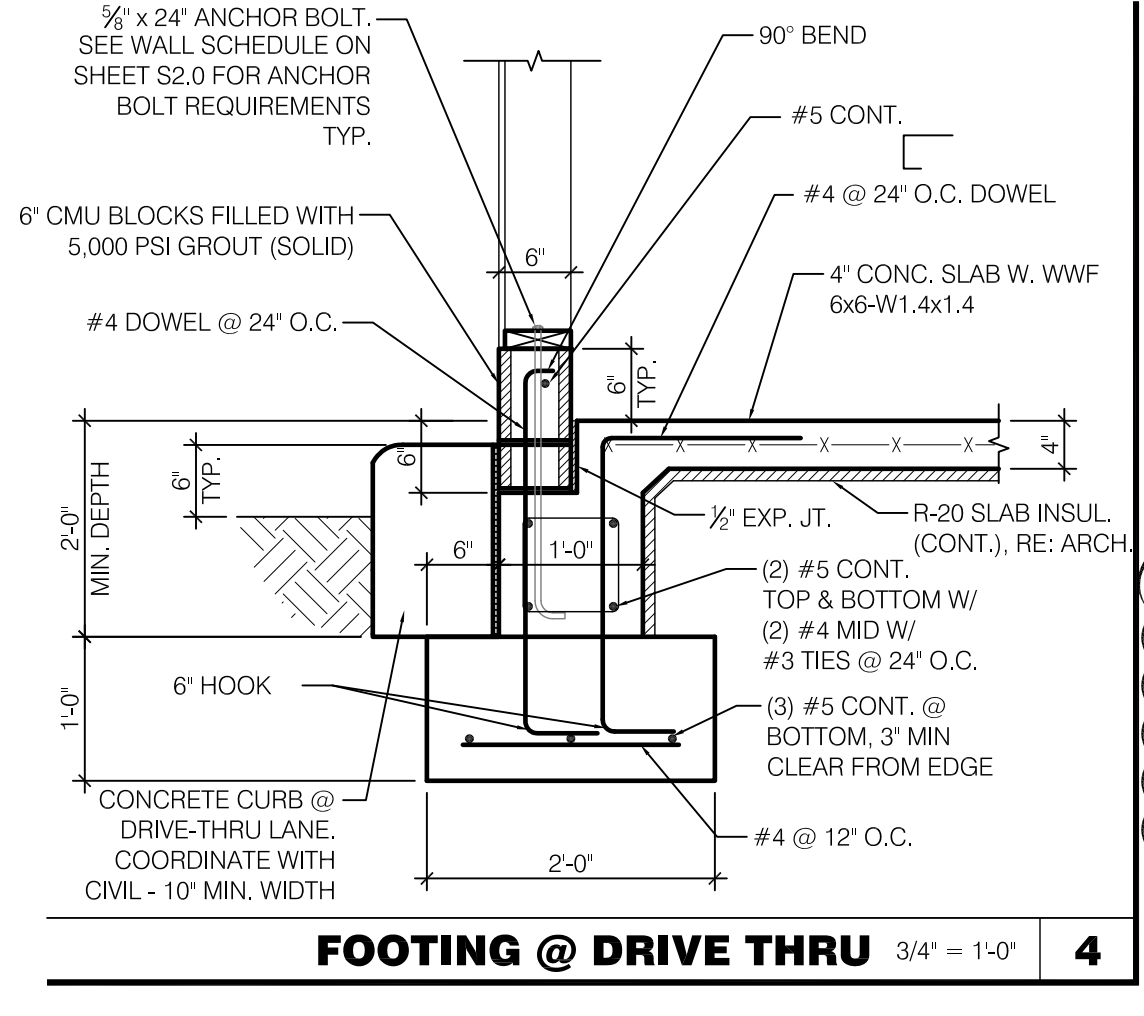
FOOTING @ FULL HEIGHT OPENING 3/4" = 1'-0" **3**



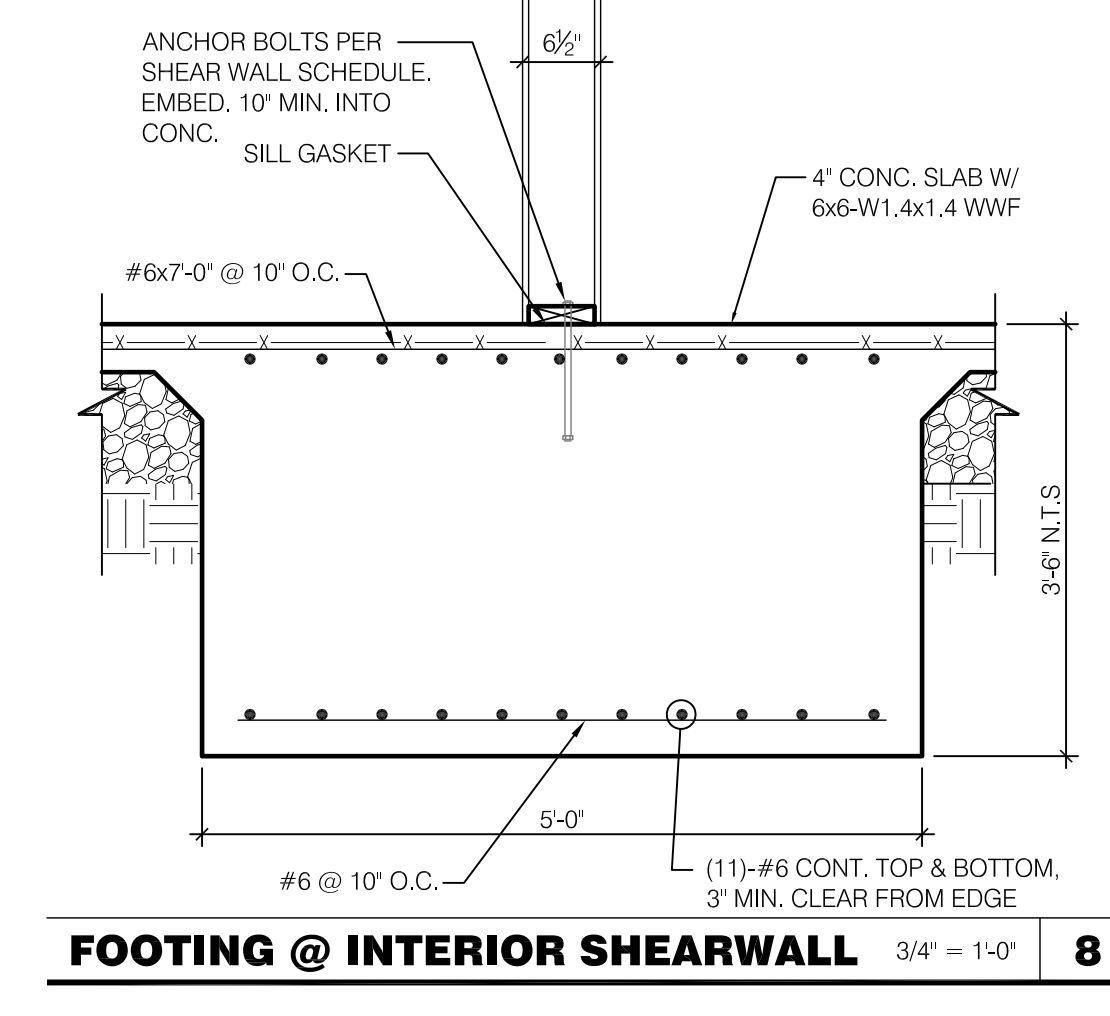
HD19 HOLDDOWN DETAIL 3/4" = 1'-0" **7**



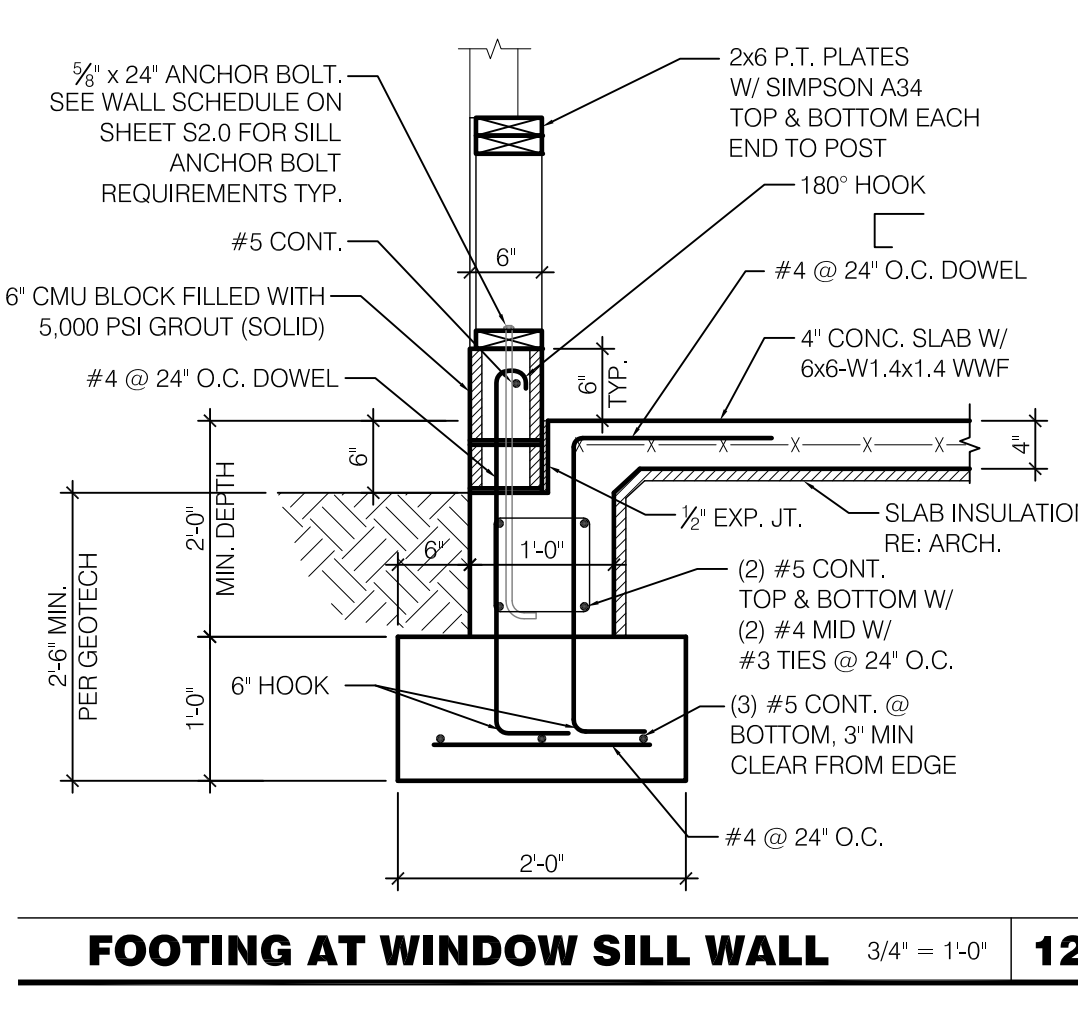
FOOTING AT POST 3/4" = 1'-0" **11**



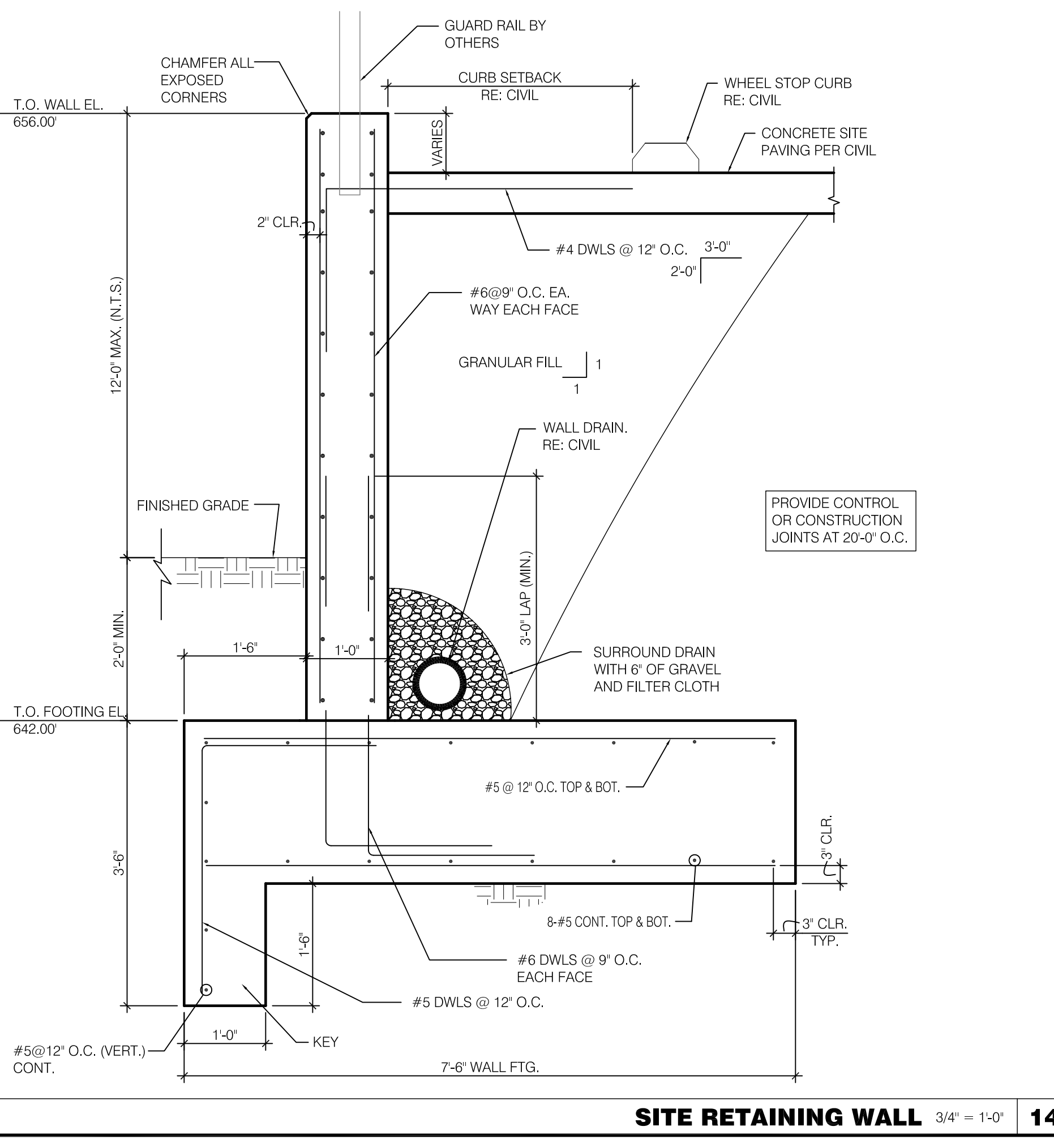
FOOTING @ DRIVE THRU 3/4" = 1'-0" **4**



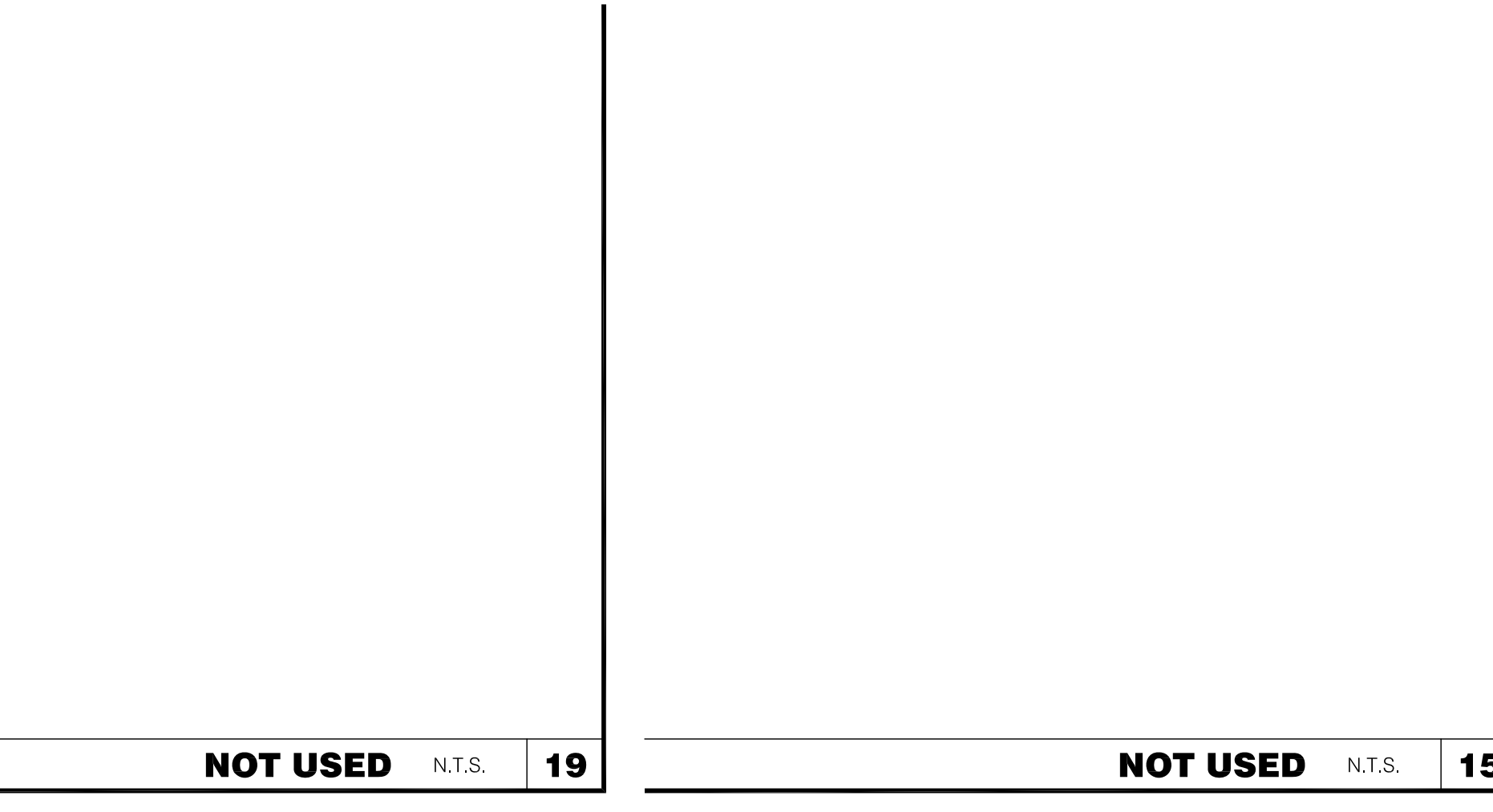
FOOTING @ INTERIOR SHEARWALL 3/4" = 1'-0" **8**



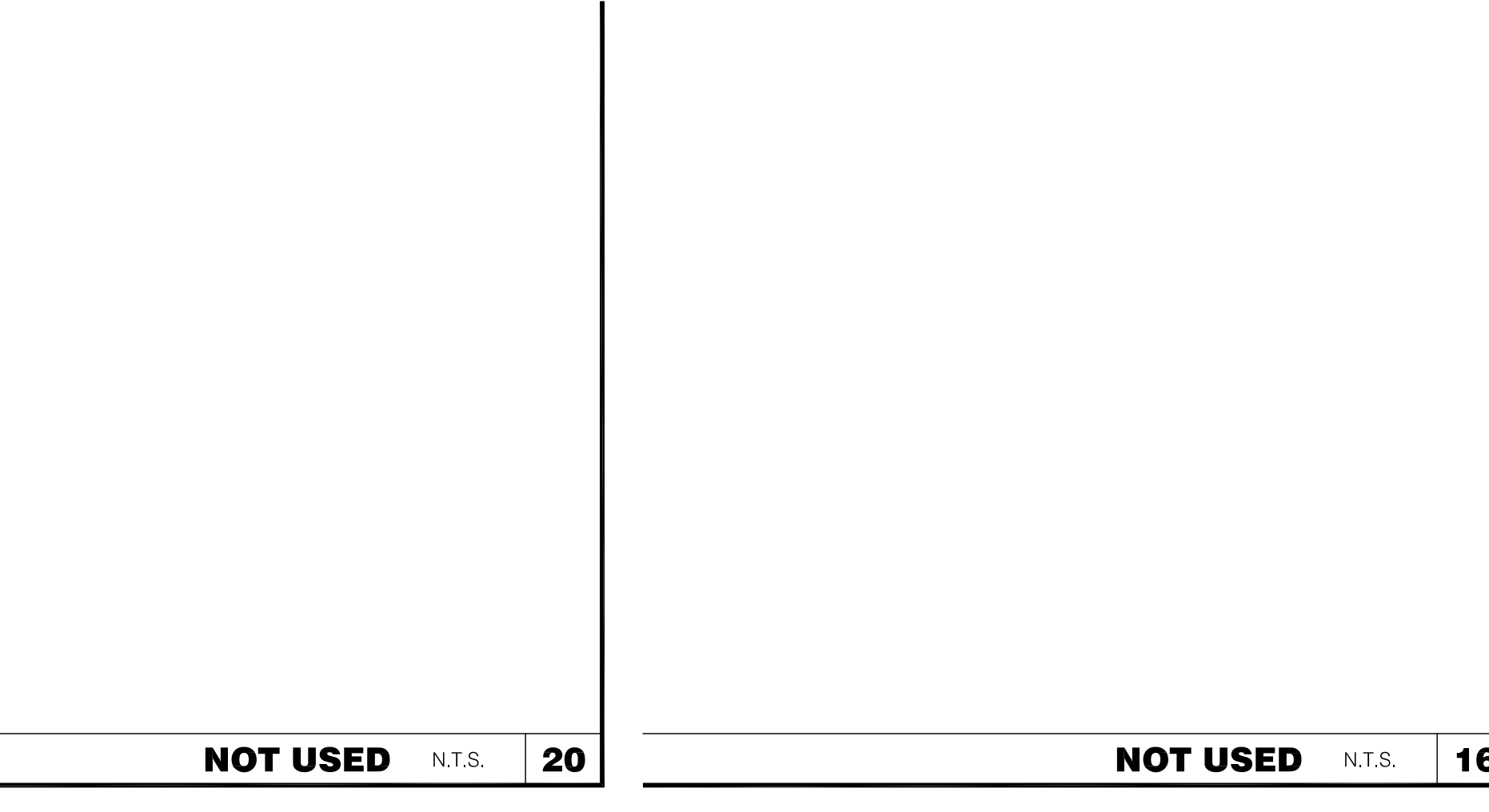
FOOTING AT WINDOW SILL WALL 3/4" = 1'-0" **12**



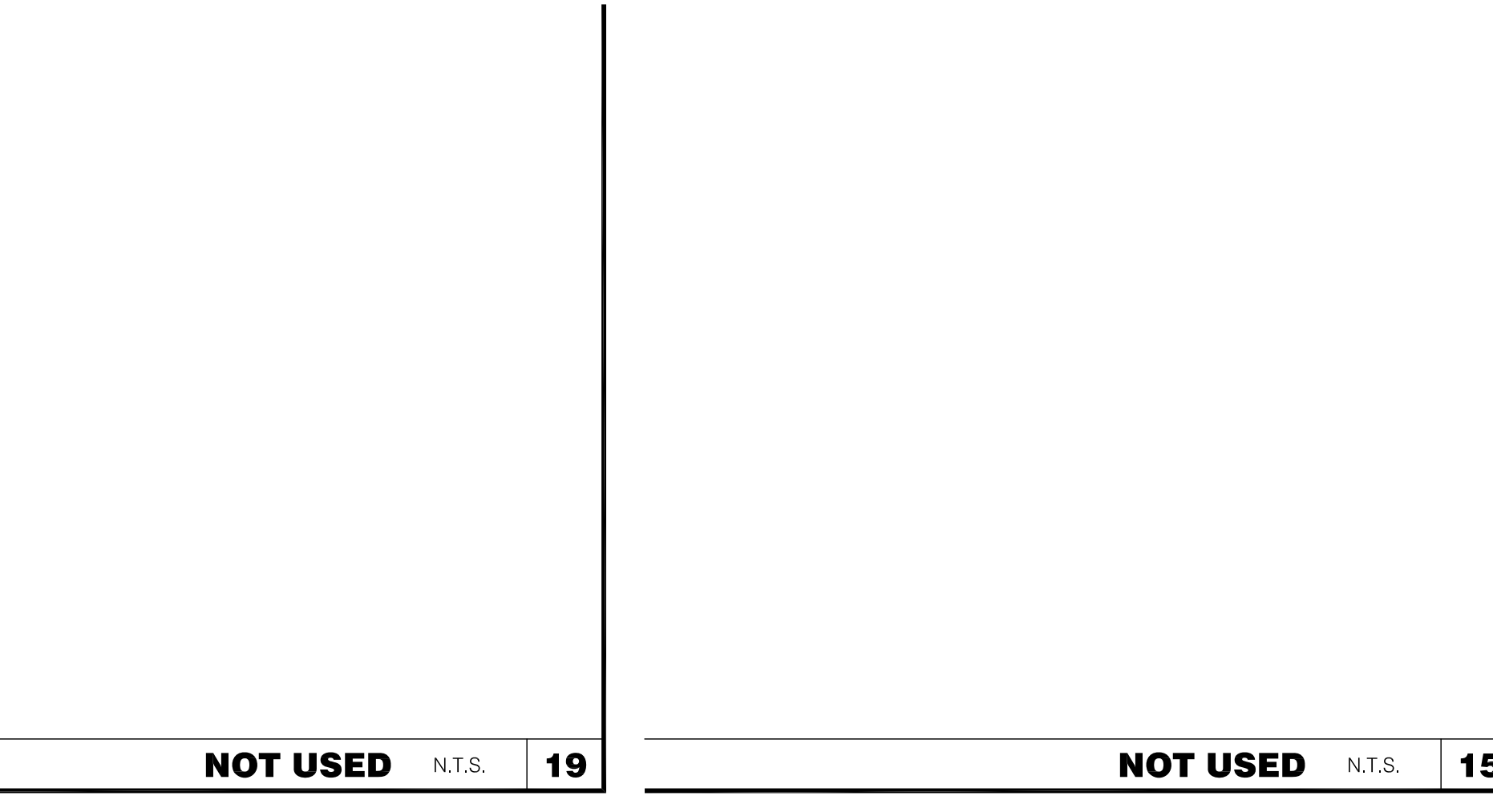
SITE RETAINING WALL 3/4" = 1'-0" **14**



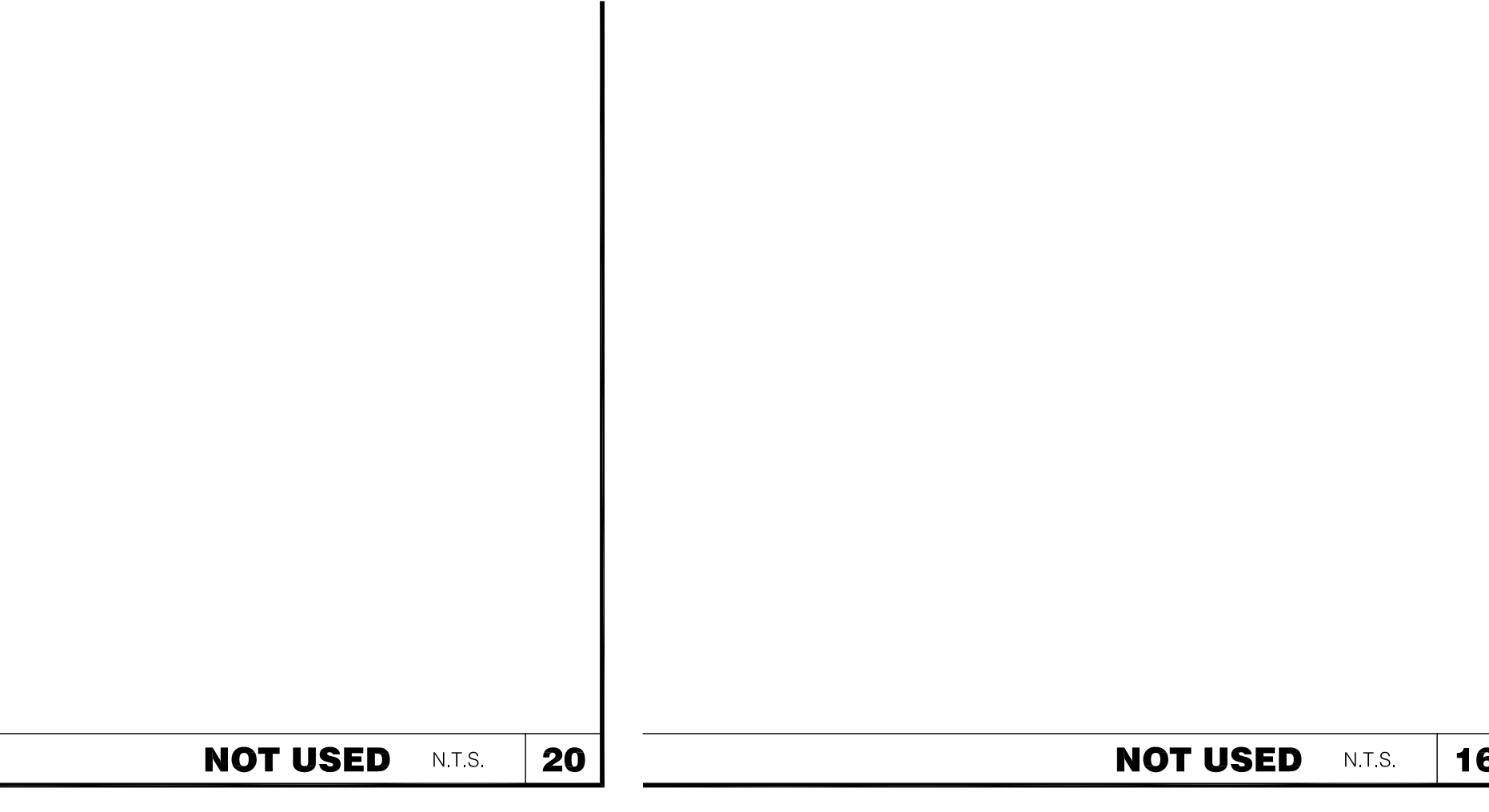
NOT USED N.T.S. **19**



NOT USED N.T.S. **20**



NOT USED N.T.S. **15**



NOT USED N.T.S. **16**