

DOOR AND WINDOW SCHEDULE

DOOR

OPENING: 6'-0"x7'-0"x1 3/4" AD x AF MATERIAL: ALUMINUM / GLASS FINISH: FACTORY FINISH - REFER TO SHEET A-2

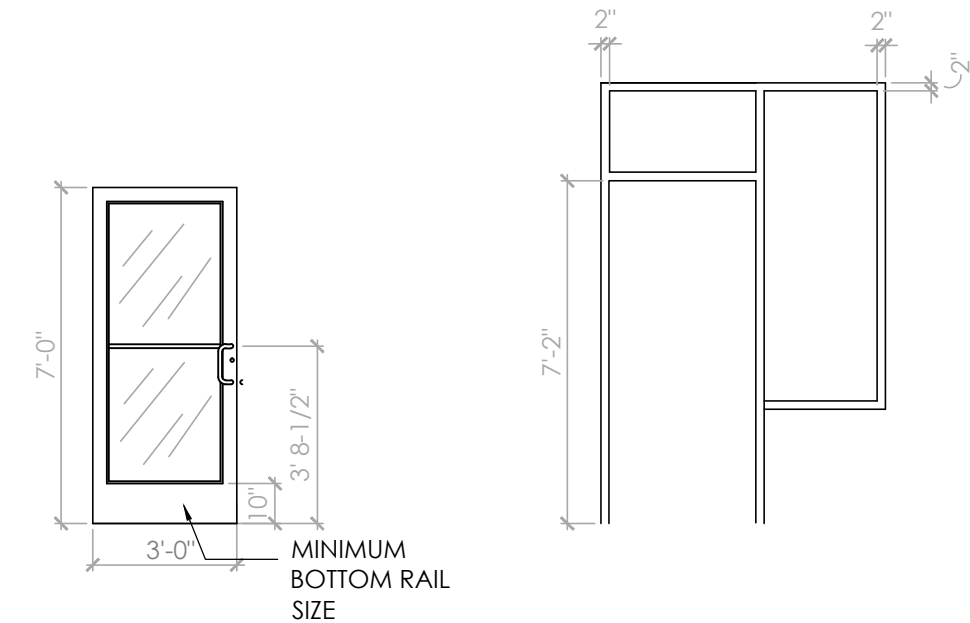
HARDWARE

ENTRANCE DOOR HARDWARE SHALL CONSIST OF OFFSET PIVOTS, ADAMS RITE MS 1852S DEAD BOLT LOCK, NORTON 1605 SURFACE CLOSER WITH BACK CHECK, 9" CLASSIC STRAIGHT DOOR PULLS IN POLISHED STAINLESS OR CHROME, AND STANDARD THRESHOLDS. LOCKS, CYLINDERS, AND THRESHOLDS SHALL BE OMITTED ON INTERIOR VESTIBULE DOORS. (IF VESTIBULE IS PROVIDED) DUMMY CYLINDERS SHALL BE PROVIDED ON THE EXTERIOR OF ALL DOORS EXCEPT AT MAIN ENTRY.

GLAZING

GLAZING FOR EXTERIOR DOORS TO COMPLY WITH IECC 2009 ENERGY CODE 502.4 ALL GLAZED ENTRANCE DOORS MAXIMUM AIR LEAKAGE RATE SHALL BE 1.00 CFM/FT² OF DOOR AREA WHEN TESTED IN ACCORDANCE WITH ASTM E 283. .45 U-FACTOR REQUIRED.

HEAD: USE EXISTING SEE WALL SECTION.
JAMB: USE EXISTING, SEE WALL SECTION
THRESHOLD: *IF APPLICABLE (A)



MAIN ENTRY VESTIBULE DOOR (1)
NOT TO SCALE

DOOR FRAME
NOT TO SCALE

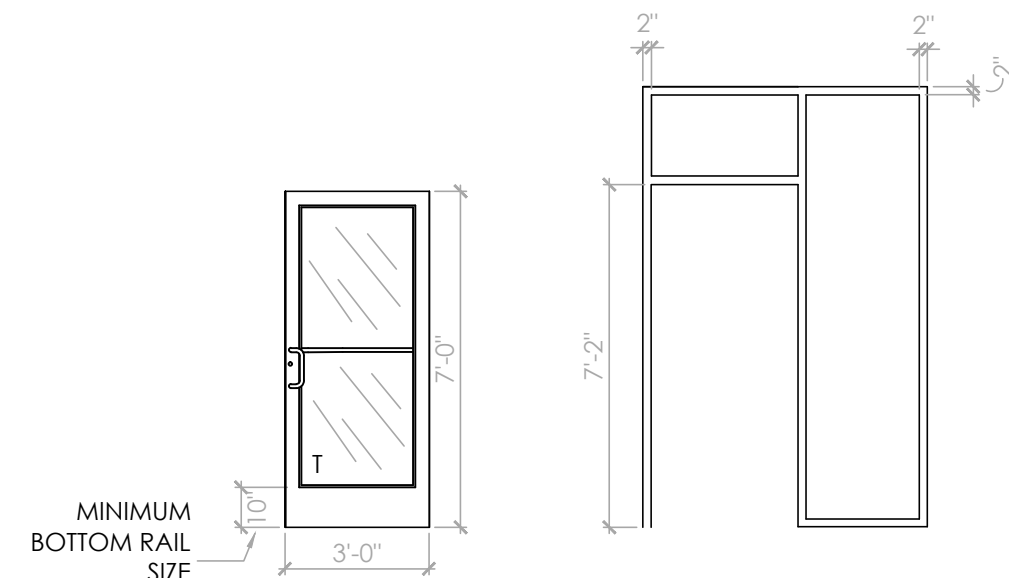
DOOR

OPENING: 3'-0"x7'-0"x1 3/4" AD x AF MATERIAL: ALUMINUM / GLASS FINISH: FACTORY FINISH - REFER TO SHEET A-2

HARDWARE

T = TEMPERED
GLAZING FOR EXTERIOR DOORS TO COMPLY WITH IECC 2009 ENERGY CODE 502.4 ALL GLAZED ENTRANCE DOORS MAXIMUM AIR LEAKAGE RATE SHALL BE 1.00 CFM/FT² OF DOOR AREA WHEN TESTED IN ACCORDANCE WITH ASTM E 283. .45 U-FACTOR REQUIRED.

HEAD: USE EXISTING SEE WALL SECTION.
JAMB: USE EXISTING, SEE WALL SECTION
THRESHOLD: *IF APPLICABLE (A)



DRIVE-THRU SIDE ENTRY DOOR (2) (3)
NOT TO SCALE

NOTE: REVERSE FOR DOOR 3

REMARKS

DUMMY CYLINDERS SHALL BE PROVIDED ON THE EXTERIOR OF ALL DOORS EXCEPT AT MAIN ENTRY.

GLAZING

GLAZING FOR EXTERIOR DOORS TO COMPLY WITH IECC 2009 ENERGY CODE 502.4 ALL GLAZED ENTRANCE DOORS MAXIMUM AIR LEAKAGE RATE SHALL BE 1.00 CFM/FT² OF DOOR AREA WHEN TESTED IN ACCORDANCE WITH ASTM E 283. .45 U-FACTOR REQUIRED.

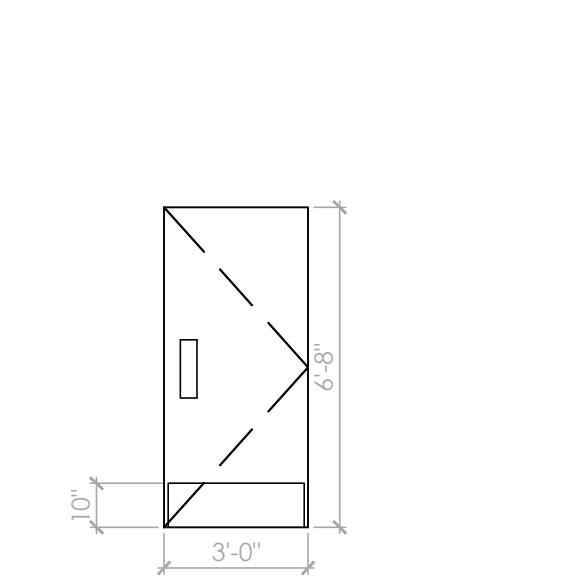
DOOR

OPENING: 3'-0" x 6'-8" x 1 3/4" x WD x MF MATERIAL: SOLID CORE HPL FINISH: PL-1L

HARDWARE

EACH DOOR TO RECEIVE:
HINGES: 3 EACH HAGER: BB1279 4 1/2 x 4 1/2 x 652
1 EACH FALCON: D271 X 626
LOCKSET: ** 1 EACH LCN 1461 X 689
CLOSER: ** 1 EACH HAGER 305 4x16 628
PUSHPLATE: 1 EACH HAGER H33E 4x16 628
PULL PLATE: ** 1 EACH HAGER 241F x US26D
FLOOR STOP: 2 EACH HAGER 1935 10"x2" LDW 628 (INSTALL W/FLAT HEAD PHILLIPS HEAD SCREWS)
KICKPLATES: 3 EACH HAGER 307D RBR UNDERCUT DOOR 1" FOR AIR FLOW WHEN HVAC SUPPLY NOT PROVIDED.

SILENCERS:
NOTE:



RESTROOM DOOR (4) (5)
NOT TO SCALE

FRAME

MATERIAL: EXISTING FINISH: P-4L

HARDWARE

SIGN PACKAGE: 1 "LADIES", 1 "GENTLEMEN" AND CORRESPONDING SIGNAGE IN GRADE TWO BRAILLE PER ADA REQUIREMENTS. SIGNS FURNISHED BY DECOR SUPPLIER. SIGNS INSTALLED BY GENERAL CONTRACTOR PER ADA REQUIREMENTS, AS AN OPTION IN LIEU OF SOLID CORE DOORS AND HOLLOW METAL FRAMES, PROVIDE MARLITE HPL DOORS WITH ALUMINUM FRAMES (REF. ID SHEETS FOR COLOR)

**OPTIONAL SANITGRASP #5G-101

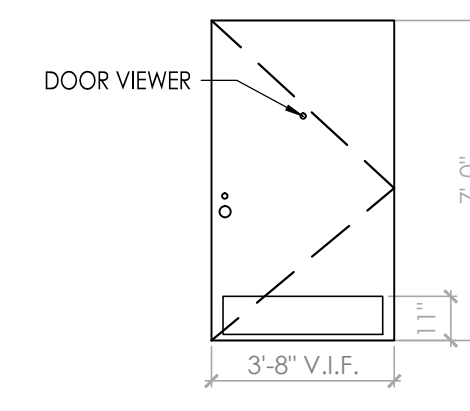
DOOR

OPENING: 3'-8"x7'-0"x1 3/4" MD x MF MATERIAL: HOLLOW METAL FINISH: PAINT - REFER TO SHEET A-2

HARDWARE

DOOR TO RECEIVE:
HINGES: 1 EACH HAGER 253 x 2C x HAND REQUIRED REIN. PIVOT: 4 EACH HAGER: BB1148 4 1/2" x 4 1/2" x USP x NRP
EXIT DEVICE: 1 EACH VON DUPRIN 22EO x 689
CLOSER: 1 EACH LCN 4115 H-CUSH x 18 x 689
VIEWER: 1 EACH ROCKWOOD 622 x 626
KICKPLATES: 1 EACH HAGER 1935 10"x2" LDW 628 (INSTALL W/FLAT HEAD PHILLIPS HEAD SCREWS)

DOOR SWEEP: 1 EACH NATIONAL GUARD 200NA x 48" WEATHERSTRIP: 1 SET NATIONAL GUARD 160SA 1@48", 2@84"



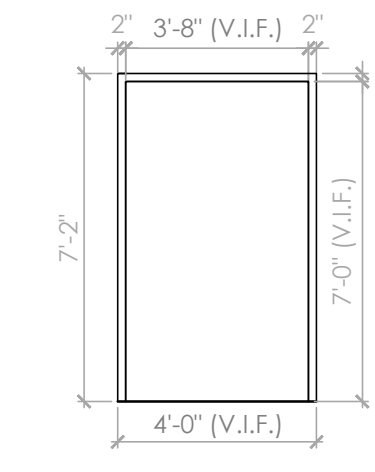
REAR SERVICE DOOR (6)
NOT TO SCALE

FRAME

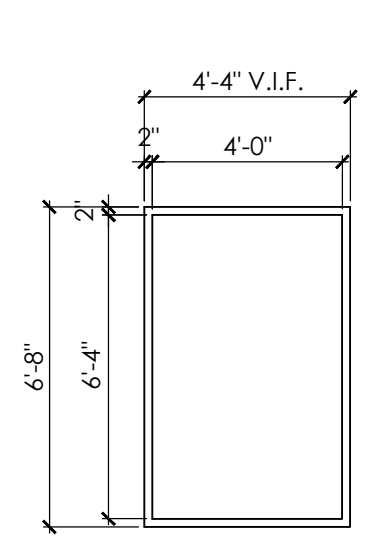
MATERIAL: HOLLOW METAL FINISH: PAINT - REFER TO SHEET A-2

HEAD: USE EXISTING SEE WALL SECTION.
JAMB: USE EXISTING, SEE WALL SECTION
THRESHOLD: *IF APPLICABLE (C)

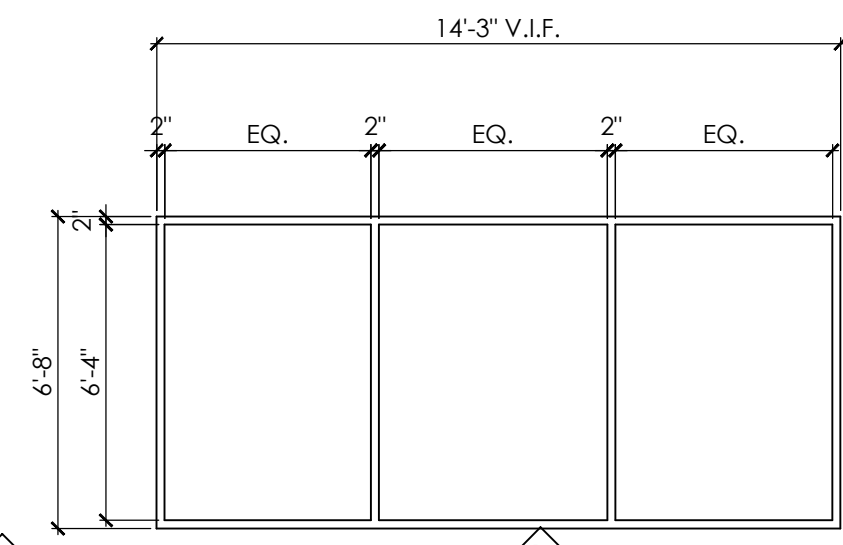
NOTE: GC TO VERIFY DOOR SIZES & SWING.



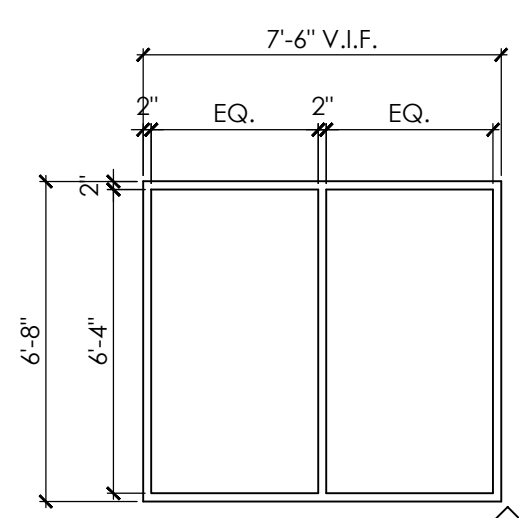
DOOR FRAME
NOT TO SCALE



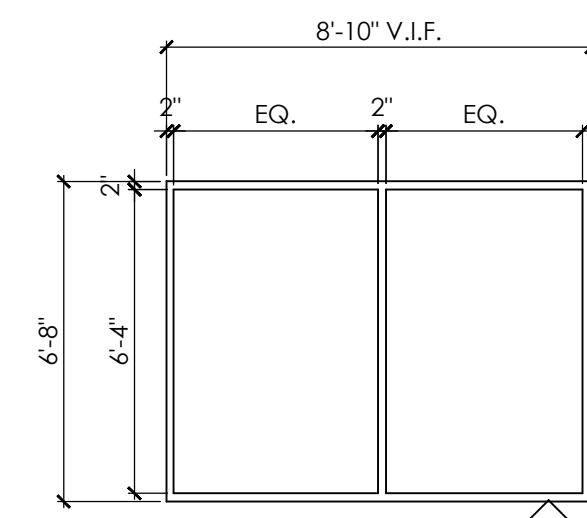
MAIN ENTRANCE WINDOW (A)
NOT TO SCALE



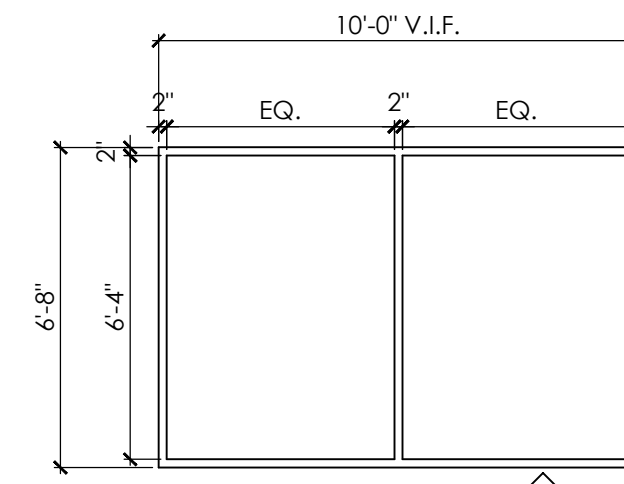
MAIN ENTRANCE WINDOW (B)
NOT TO SCALE



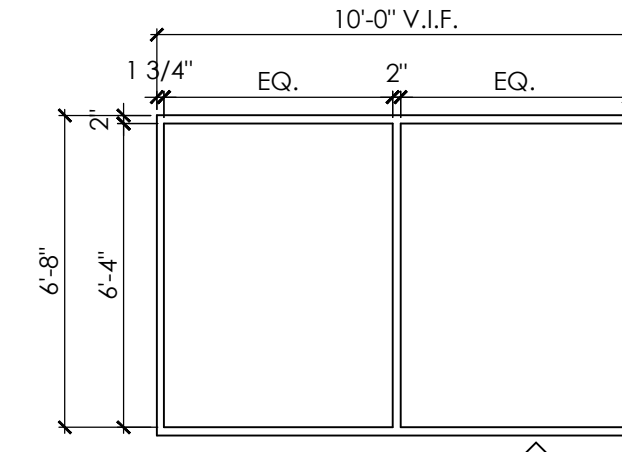
DRIVE THRU SIDE WINDOW (C)
NOT TO SCALE



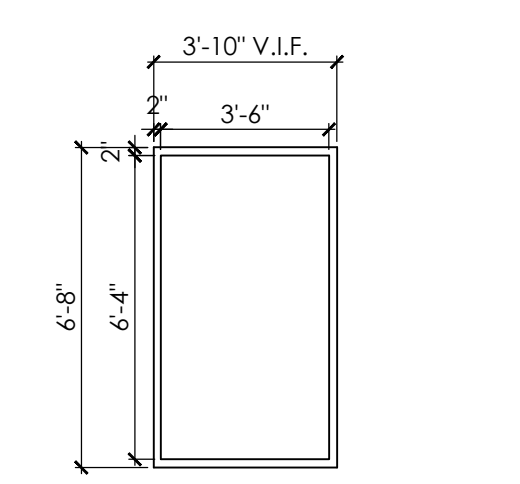
DRIVE THRU SIDE WINDOW (D)
NOT TO SCALE



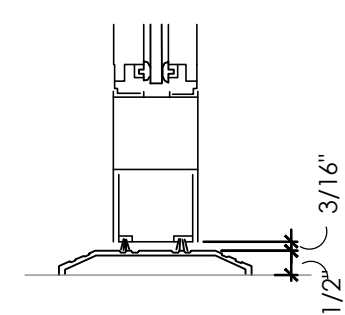
SIDE ENTRANCE WINDOW (E)
NOT TO SCALE



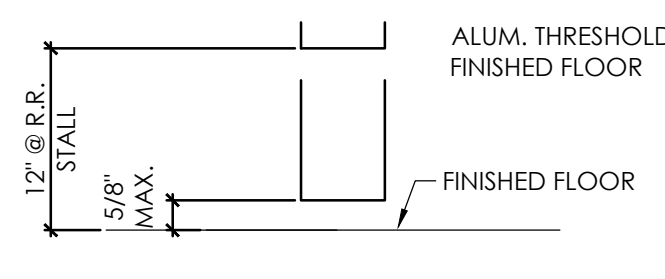
SIDE ENTRANCE WINDOW (F)
NOT TO SCALE



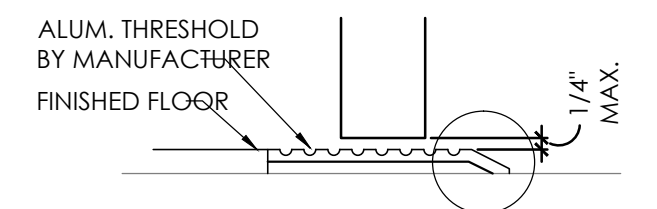
MAIN ENTRANCE WINDOW (G)
NOT TO SCALE



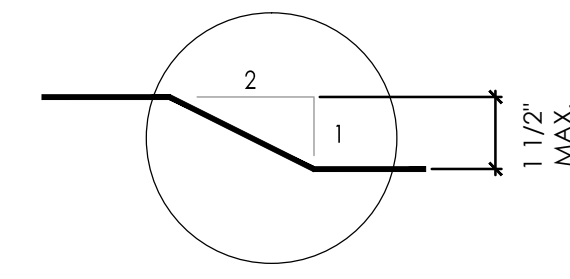
(A) THRESHOLD
NOT TO SCALE



(B) THRESHOLD
NOT TO SCALE

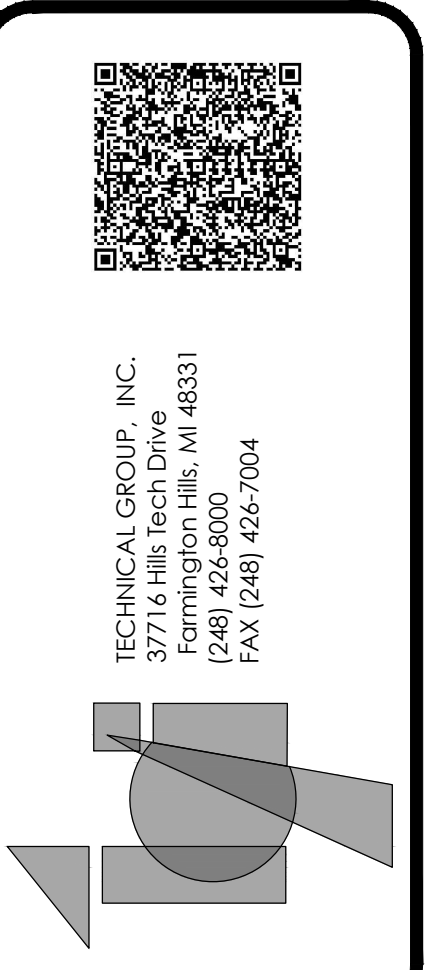
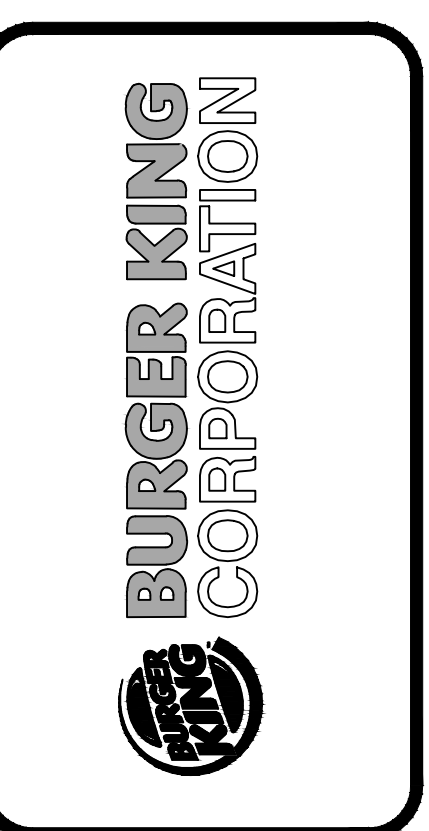


(C) THRESHOLD
NOT TO SCALE



ACCESSIBILITY REQUIREMENTS FOR THRESHOLDS: CHANGES IN LEVEL GREATER THAN 1/4" AND NOT MORE THAN 3/8" SHALL BE BEVELED WITH A SLOPE NOT GREATER THAN 1:2

Notes	
By	
Date	
No.	
Drawn By: TC	
Checked: SB	
Scale: AS NOTED	
Date: 04.01.16	



PROJECT	BURGER KING #13916 34897 GROSSBECK HWY. CLINTON TWP, MI 48035
SHEET TITLE	DOOR/WINDOW SCHEDULE & DETAILS
JOB #	TG-16350
SHEET	A-1.1

DO NOT SCALE THIS PRINT. USE FIGURED DIMENSIONS ONLY.