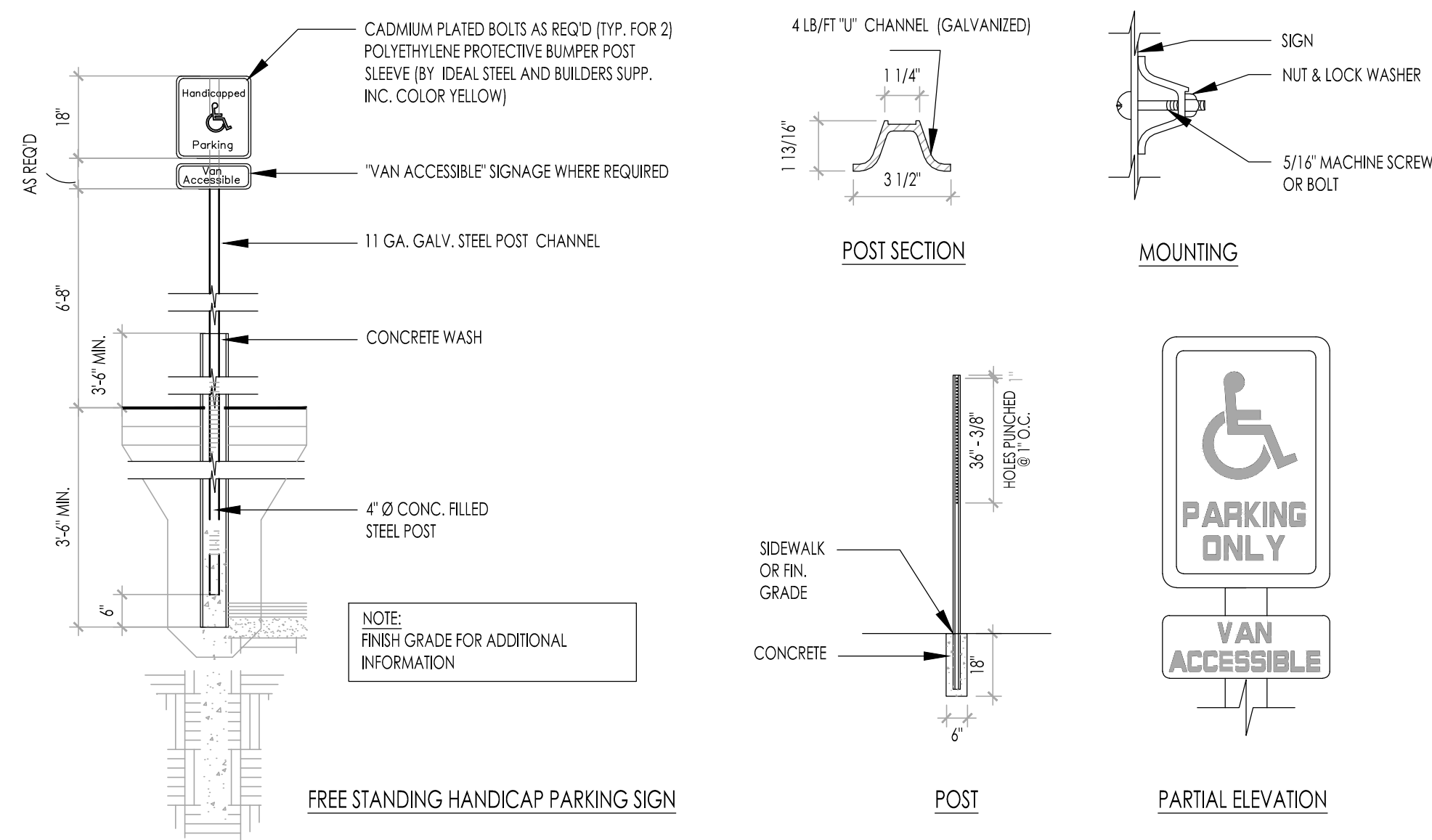


NOTE:
SIGN STRUCTURAL FOUNDATION AS REQUIRED BY SITE
CONDITIONS. DESIGN IS THE RESPONSIBILITY OF THE
SUBCONTRACTOR.

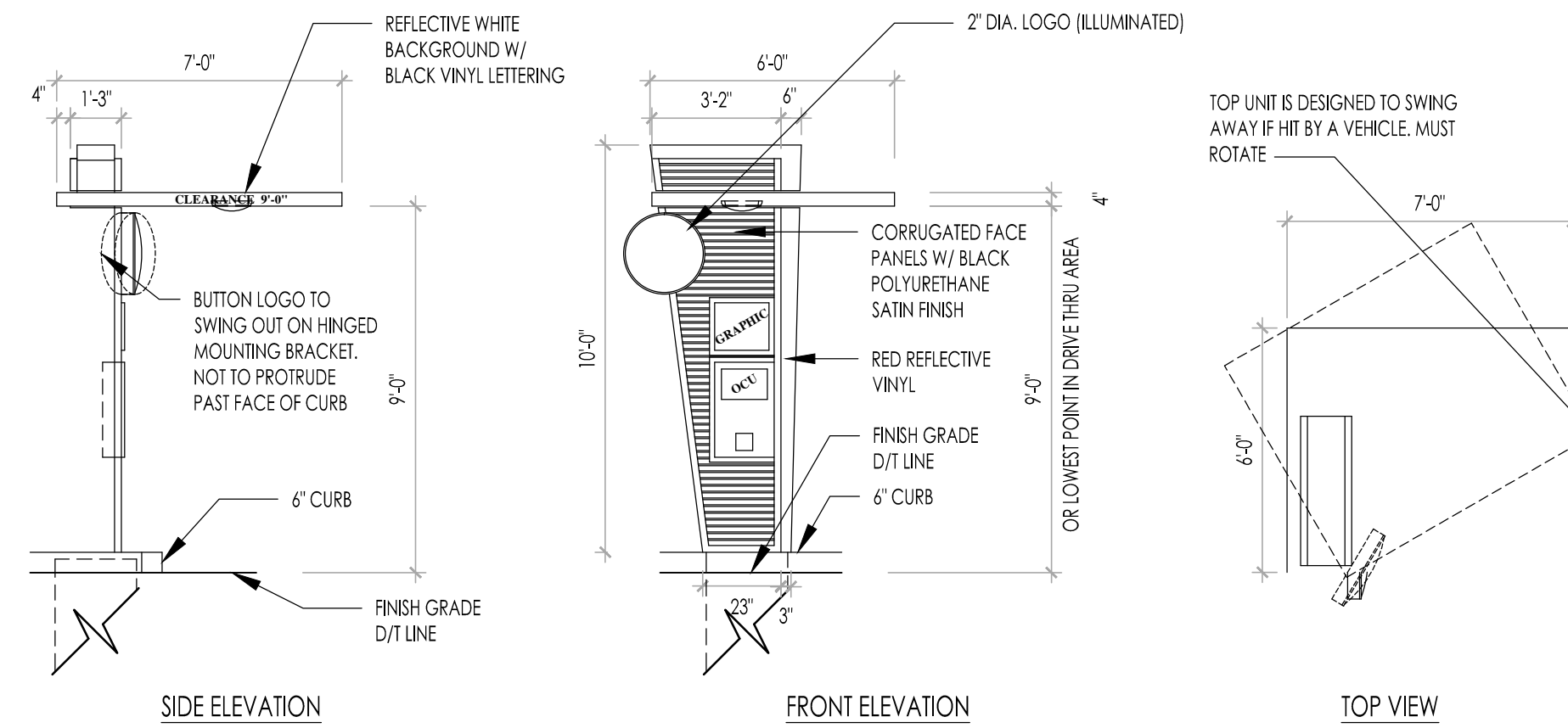


1 ACCESSIBLE PARKING SIGN DETAILS

SCALE: NO SCALE

NOTE:
SIGN STRUCTURAL FOUNDATION AS REQ. BY SITE CONDITIONS.
DESIGN IS THE RESPONSIBILITY OF THE SUBCONTRACTOR

- 120 VOLT 20 AMP ELECTRICAL SUPPLY TO SIGN
- DATA CABLE FOR THE ACCUVIEW DISPLAY
- BACK OF SIGN TO BE REMOVABLE FOR SERVICE ACCESS

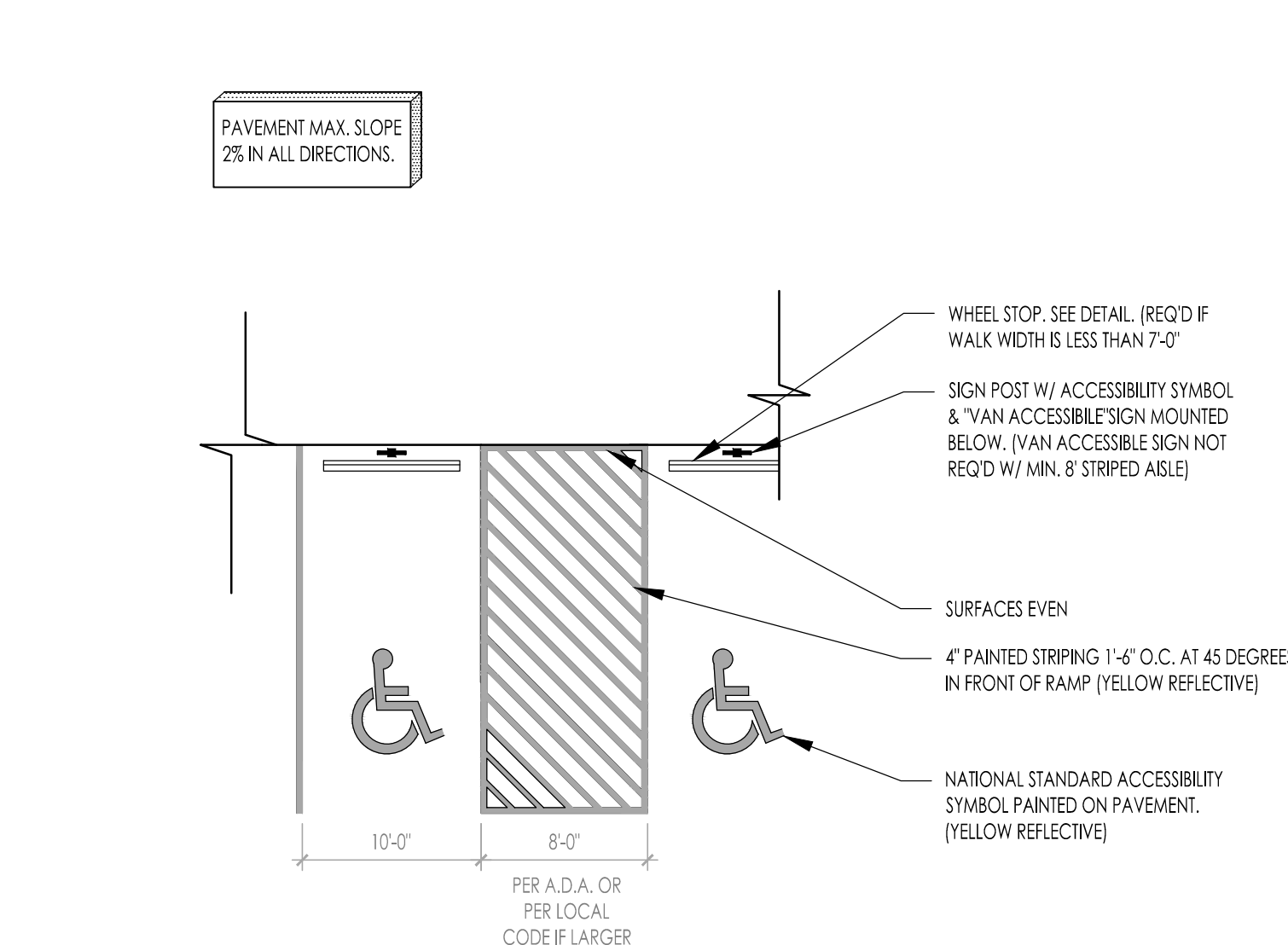
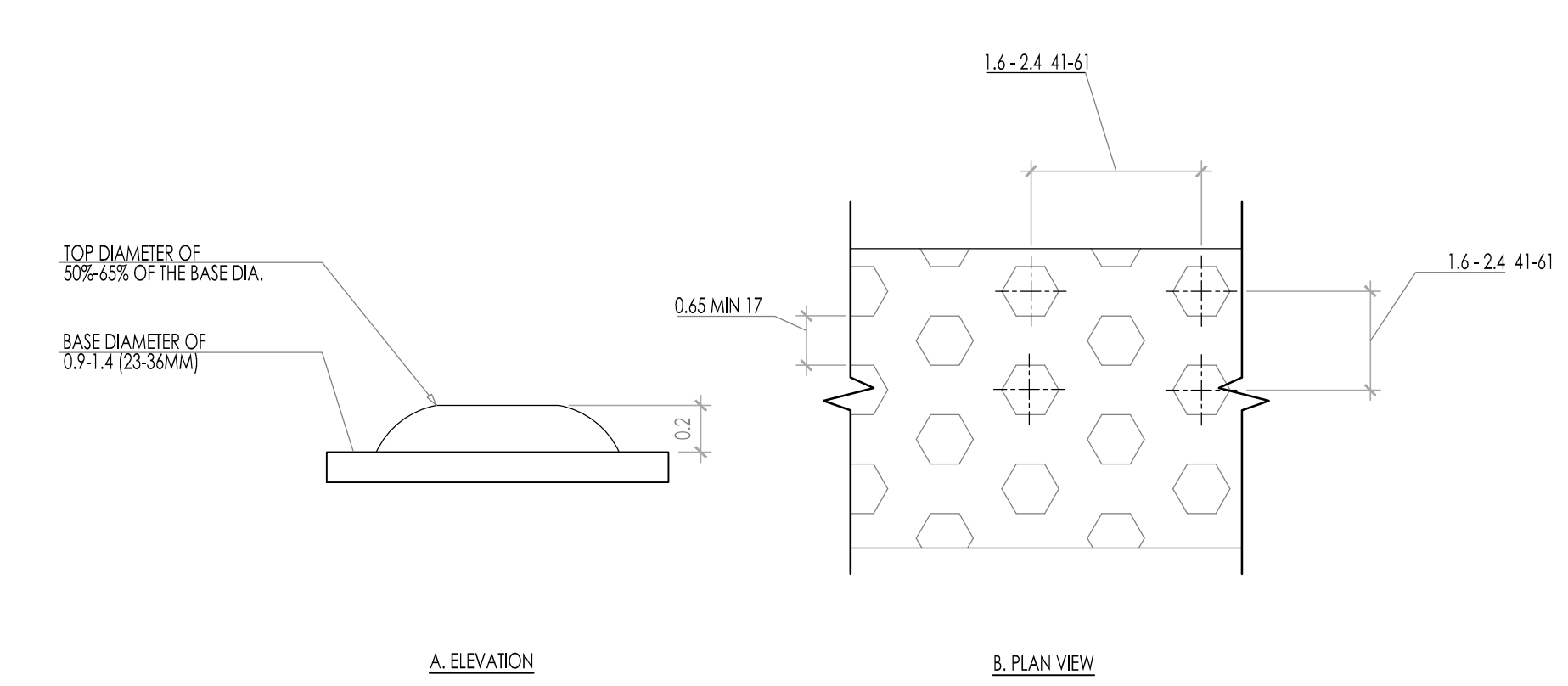


2 ORDER CONFIRMATION ELEVATIONS

SCALE: NO SCALE

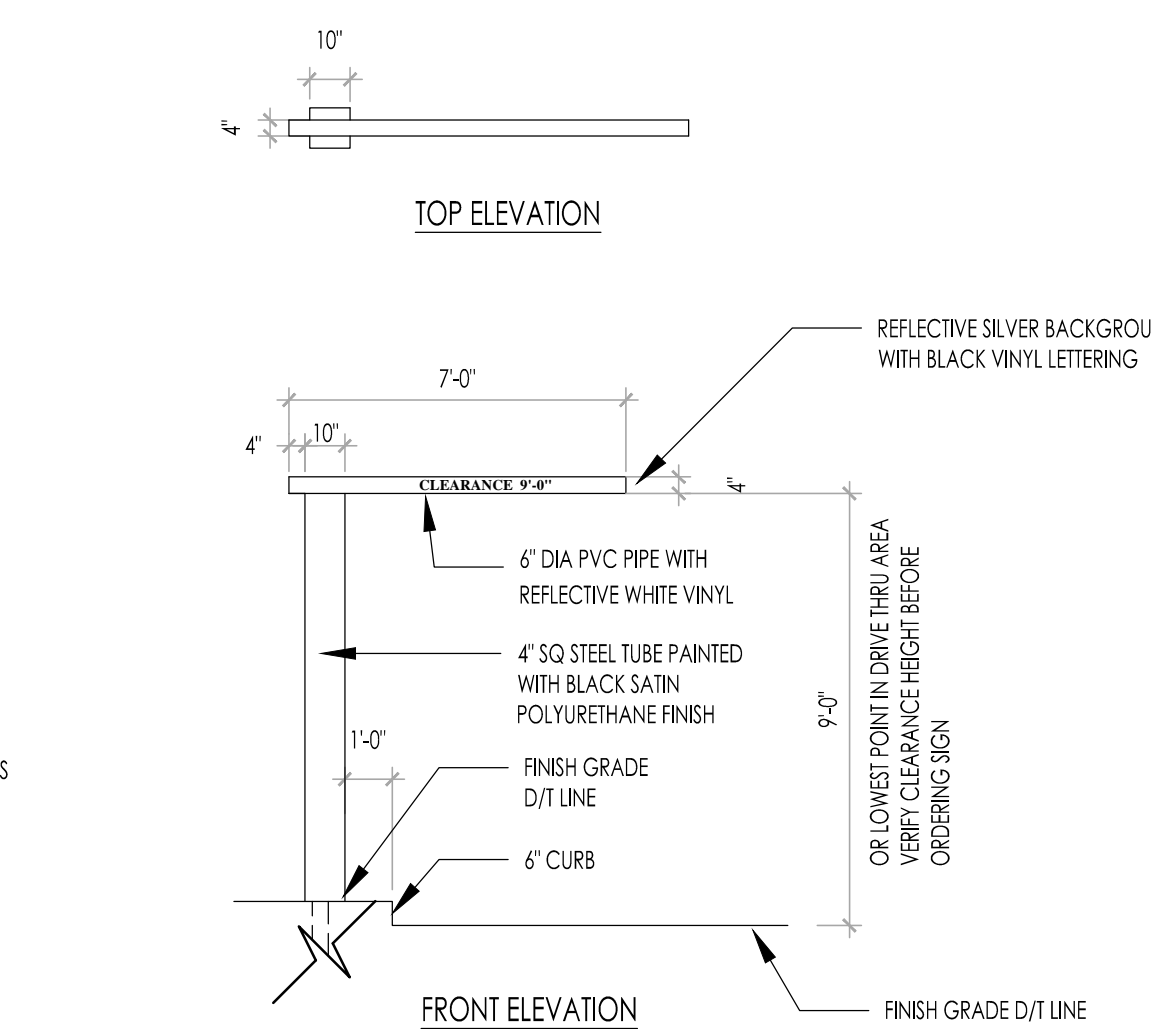
3 TRUNCATED DOME DETAIL

SCALE: NO SCALE



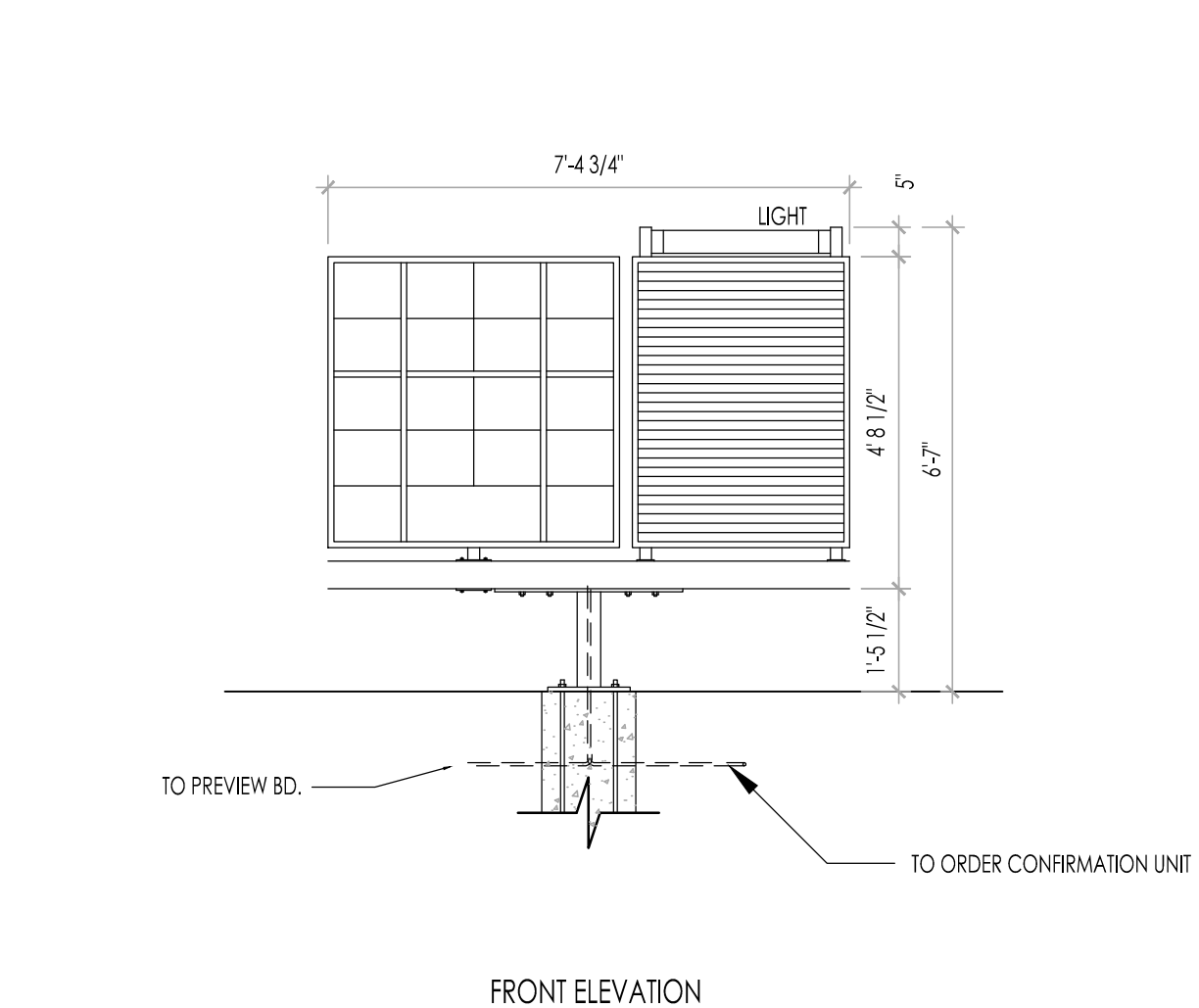
4 ACCESSIBLE PARKING DETAIL

SCALE: NO SCALE



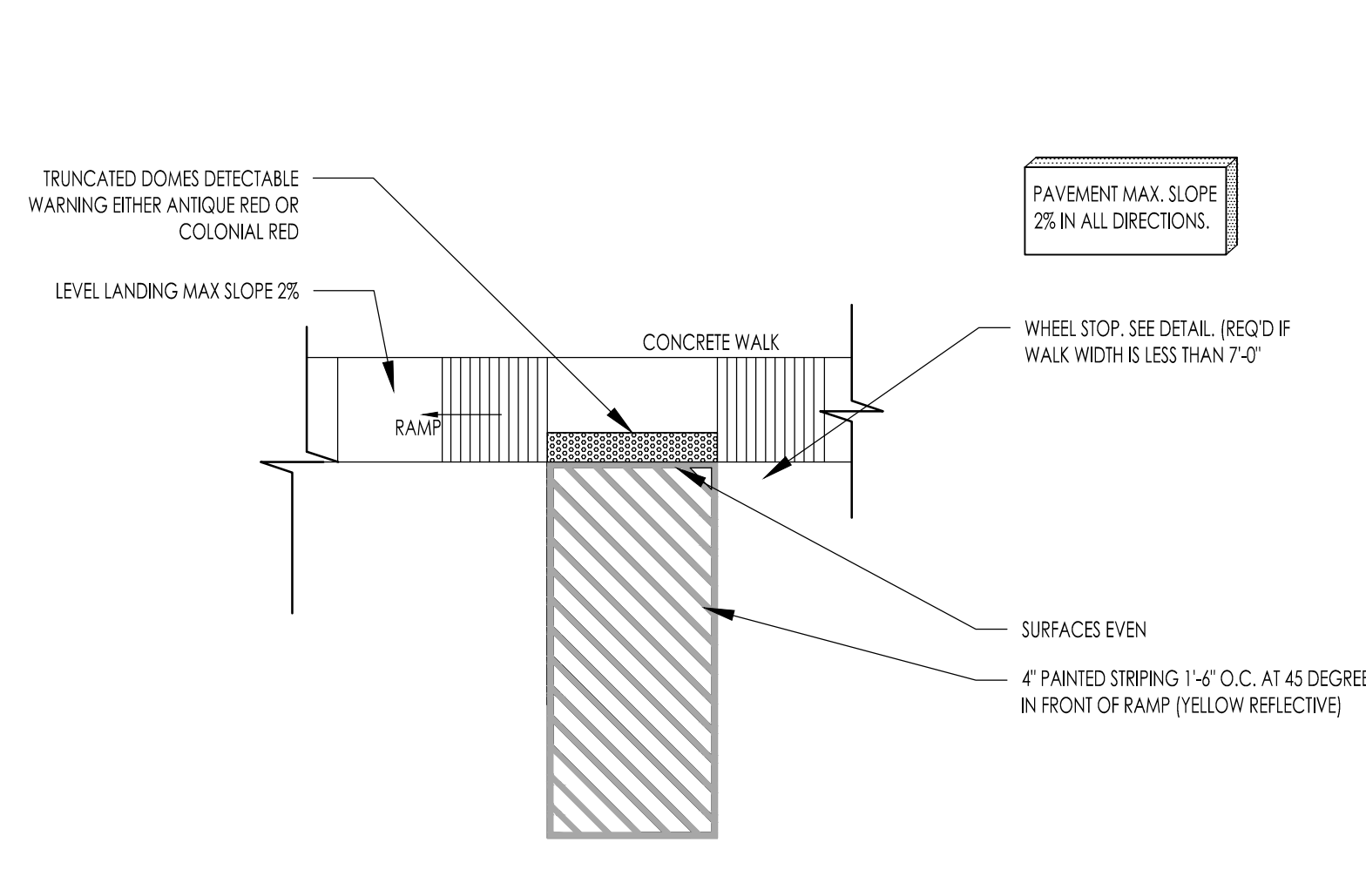
5 DRIVE-THRU CLEARANCE SIGN

SCALE: NO SCALE



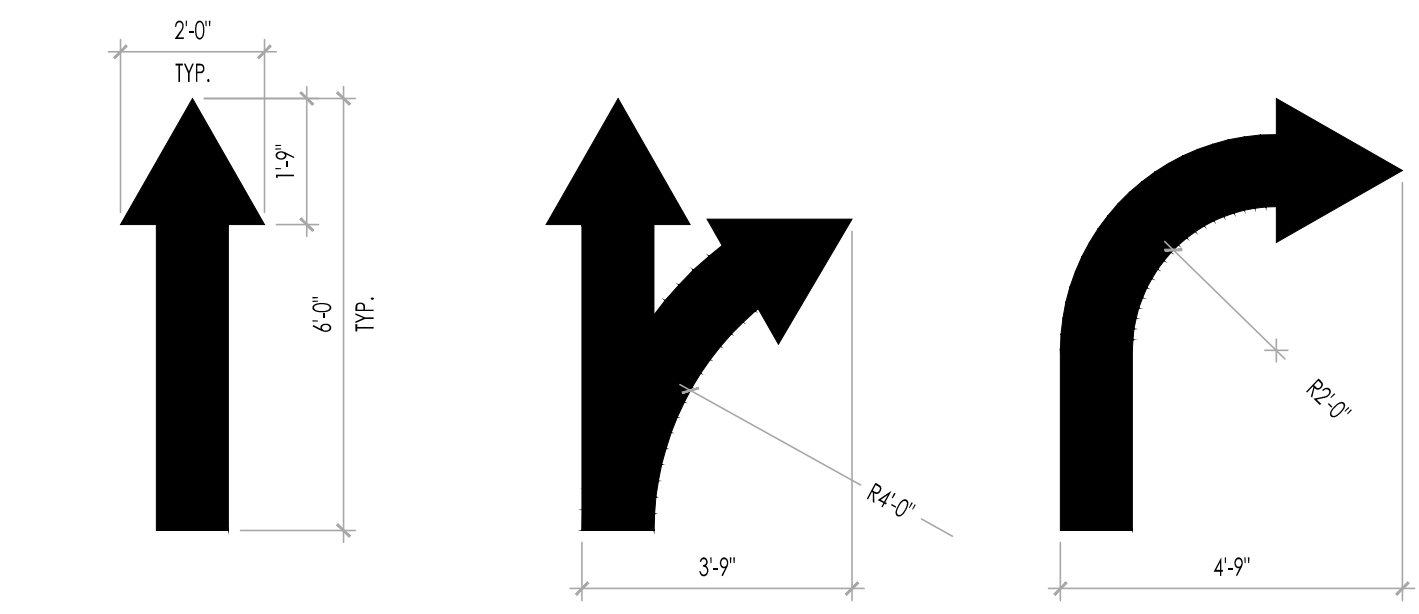
6 MENU BOARD ELEVATIONS

SCALE: NO SCALE



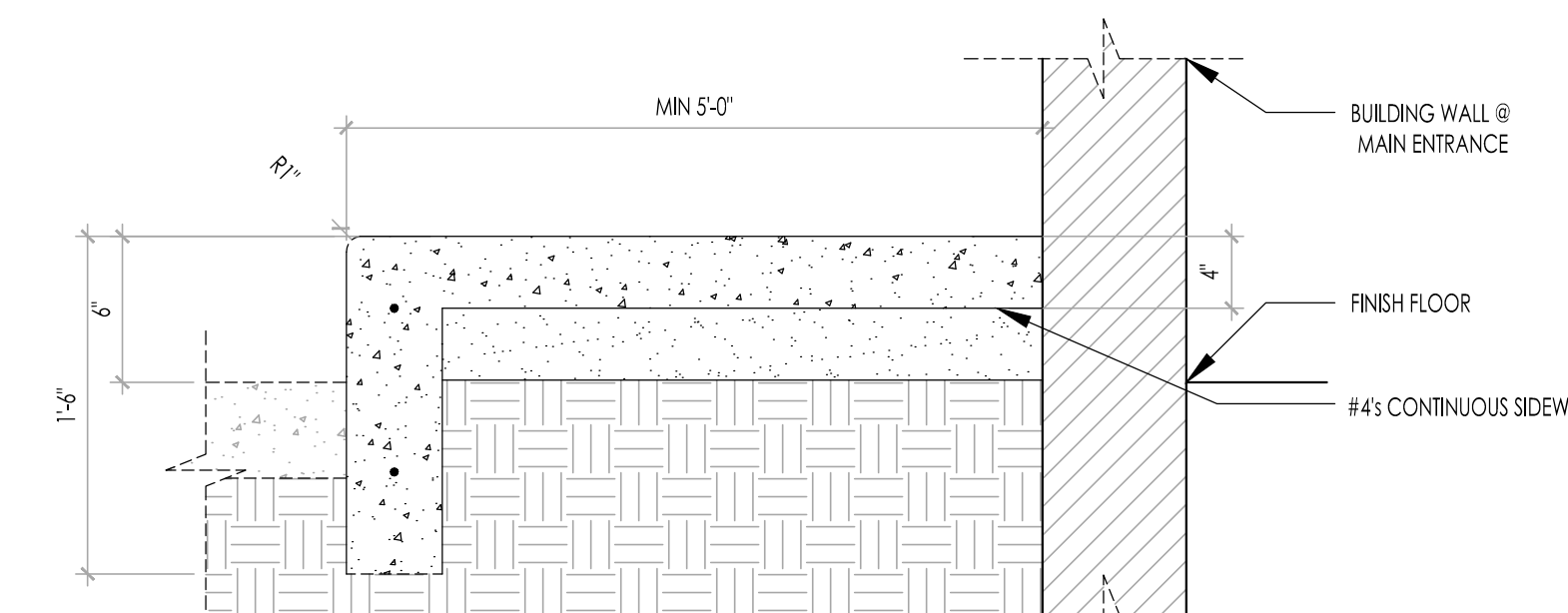
7 ACCESSIBLE PARKING/RAMP DETAIL

SCALE: NO SCALE



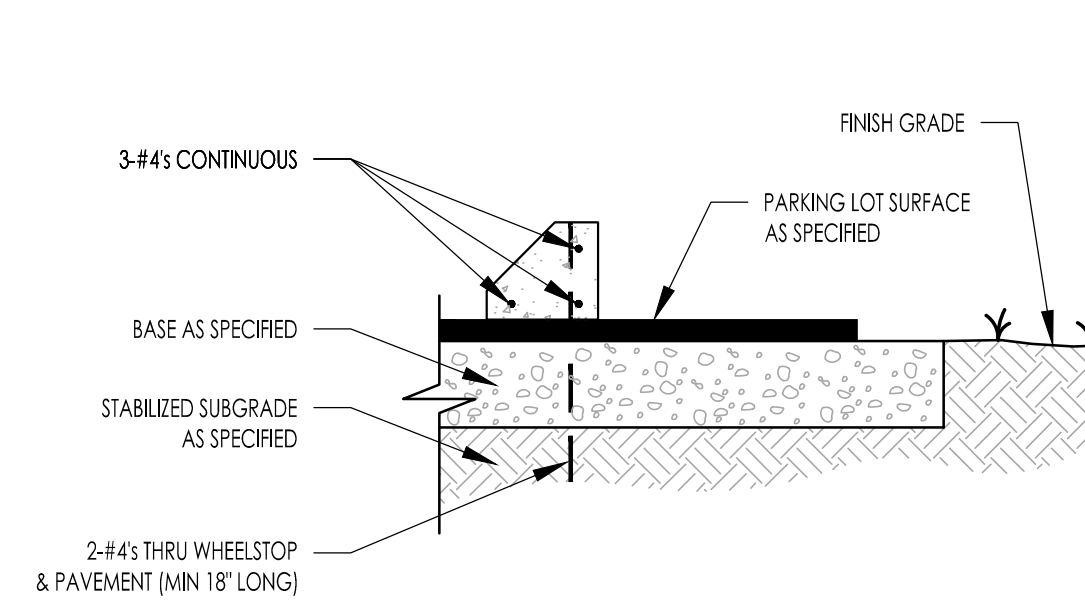
8 PAINTED ARROW DETAILS

SCALE: NO SCALE



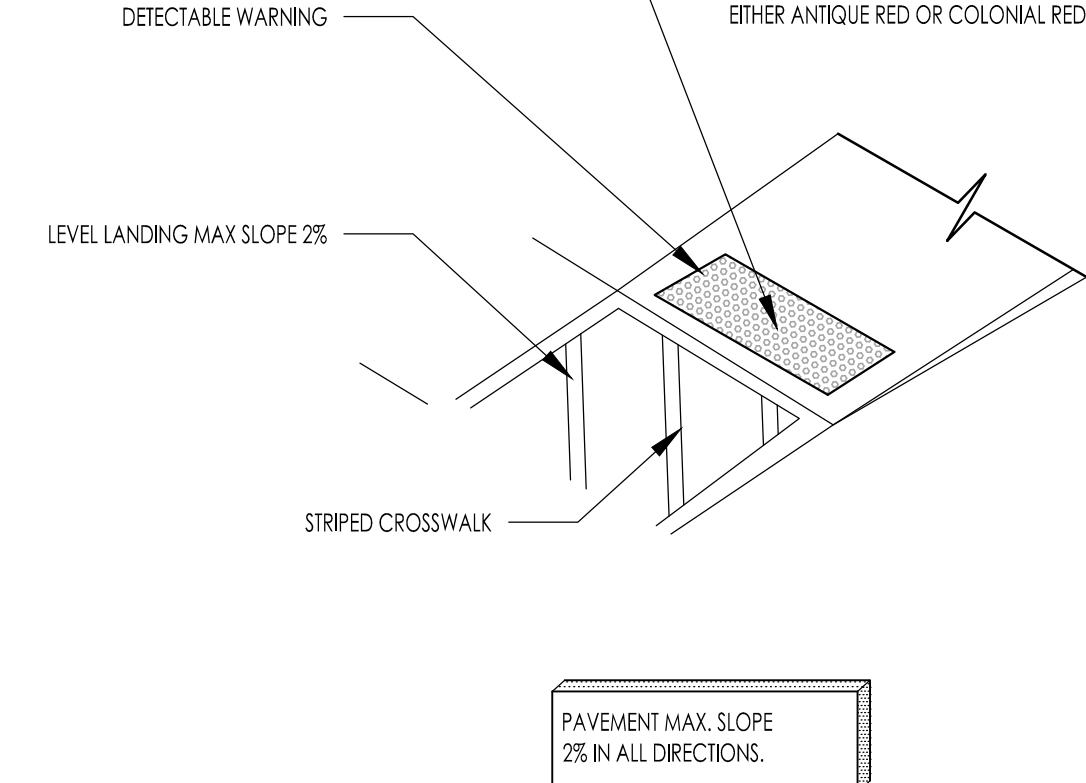
9 CURB DETAIL

SCALE: NO SCALE



10 PARKING BLOCK DETAIL

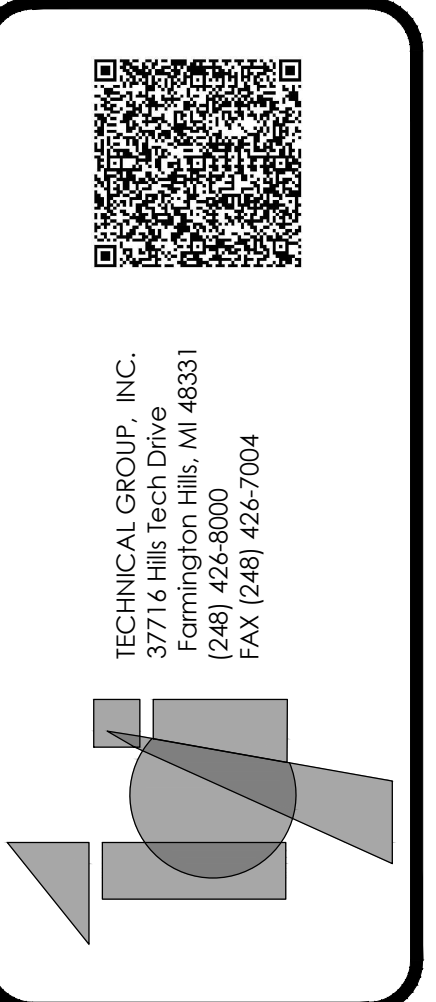
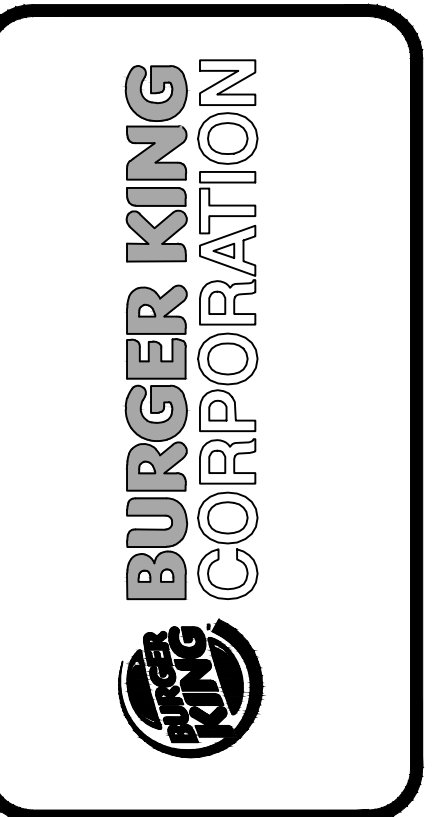
SCALE: NO SCALE



11 ACCESSIBLE RAMP DETAIL

SCALE: NO SCALE

Notes	
By	
Date	
No.	
Drawn By: TC	
Checked: SB	
Scale: AS NOTED	
Date: 04.01.16	



PROJECT	BURGER KING #13916 34897 GROSSBECK HWY. CLINTON TWP. MI 48035
SHEET TITLE	SITE DETAILS
DO NOT SCALE THIS PRINT. USE FIGURED DIMENSIONS ONLY.	
JOB #	TG-16350
SHEET	C-3