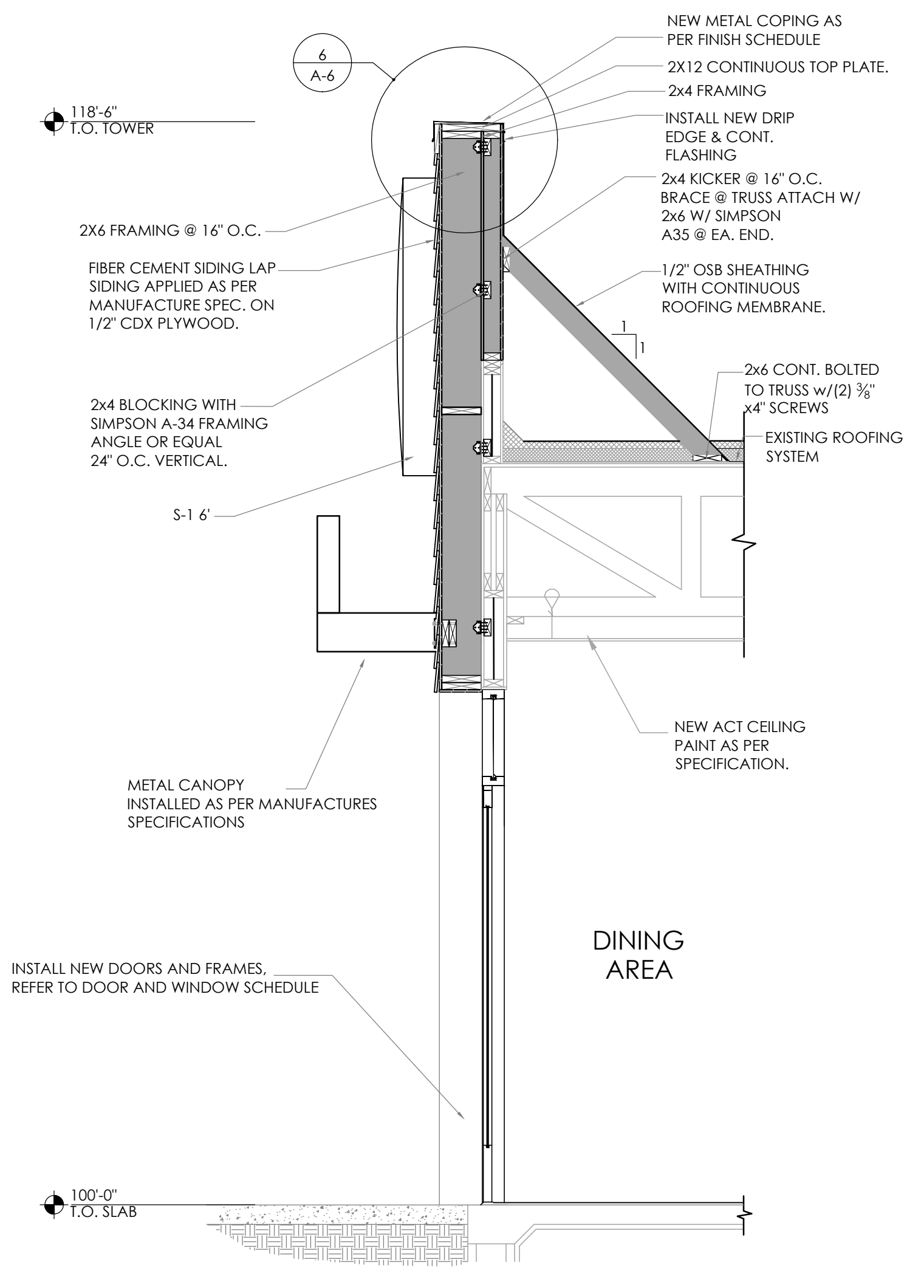
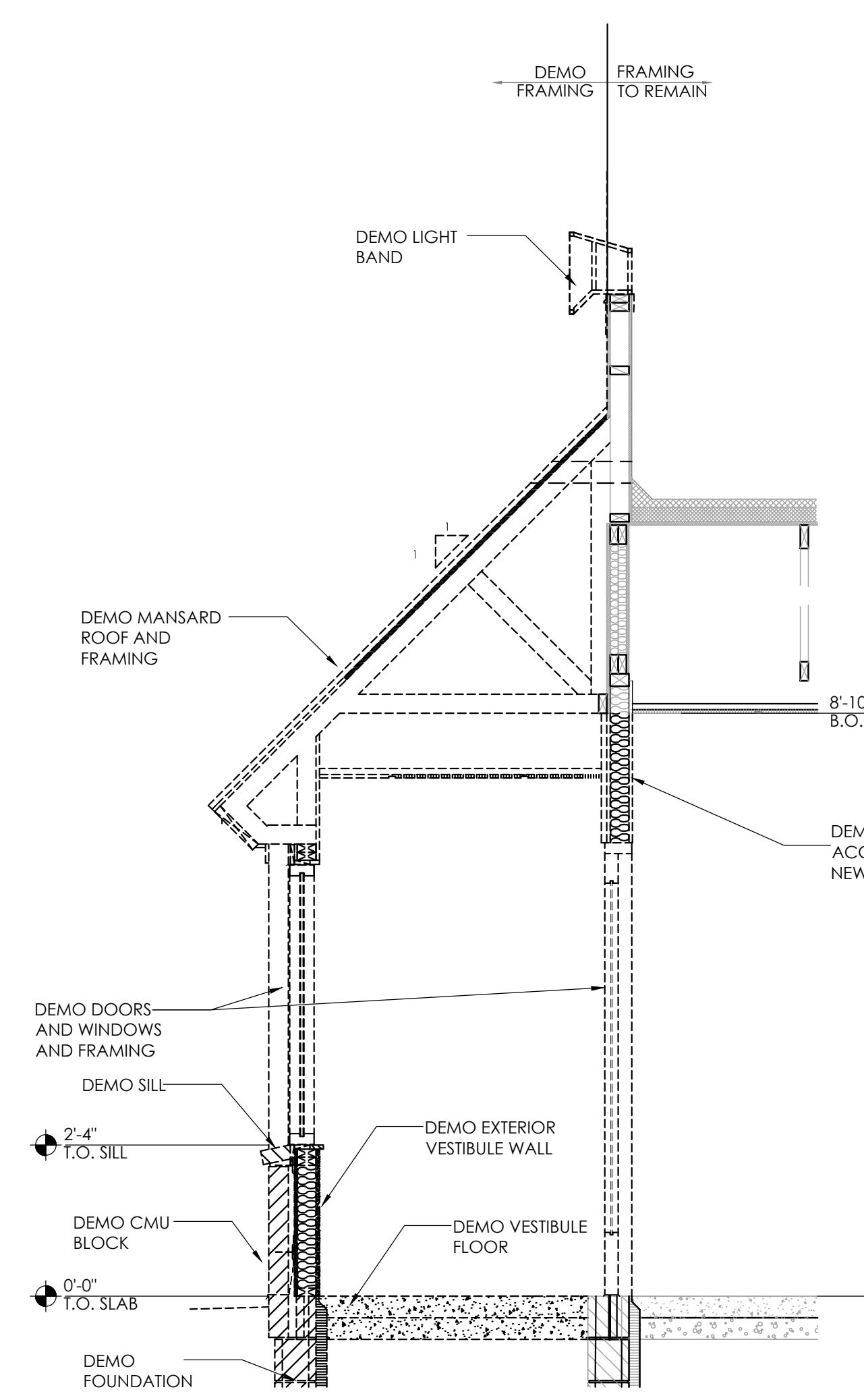


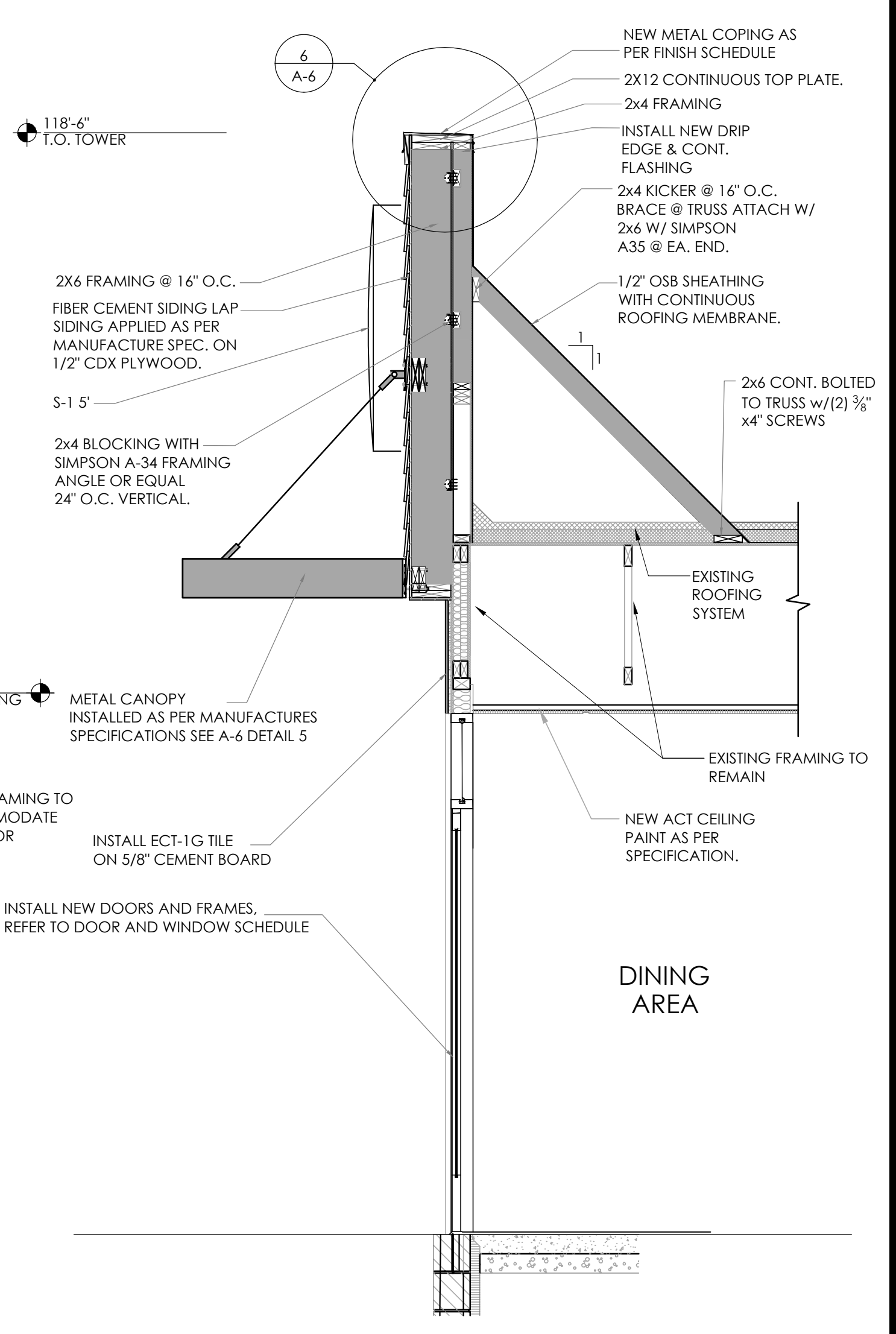
1 DEMO SECTION @ SIDE VESTIBULE
SCALE: 1/2" = 1'-0"



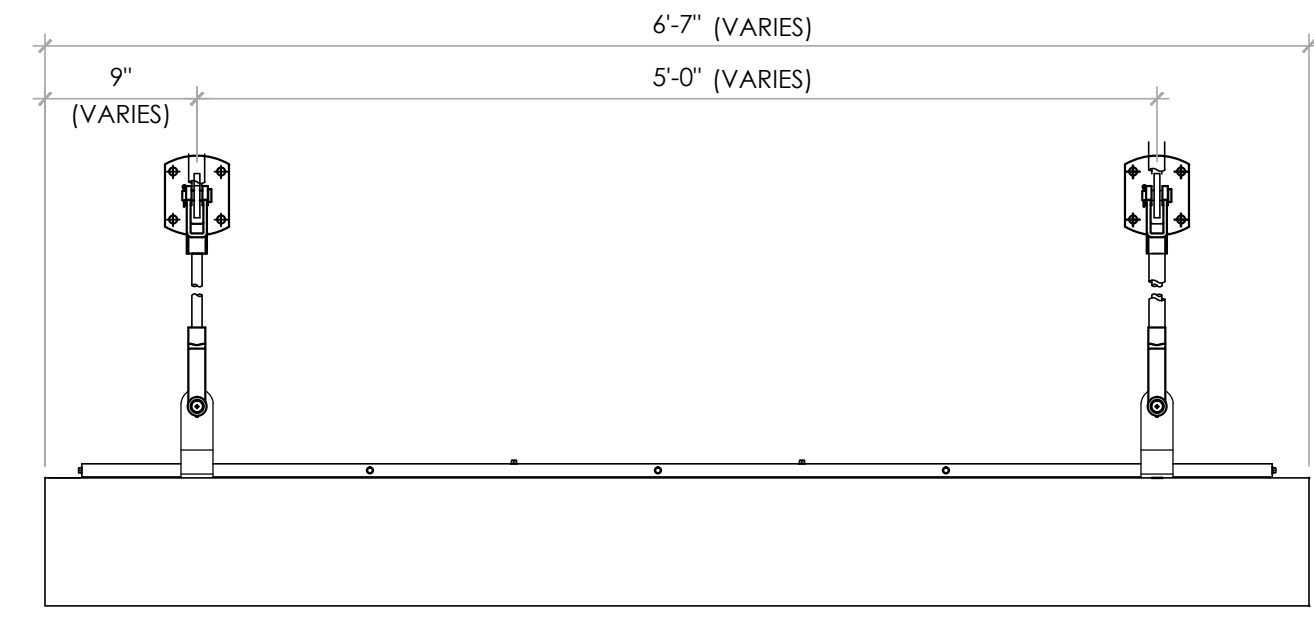
2 PROPOSED SECTION @ SIDE VESTIBULE
SCALE: 1/2" = 1'-0"



3 DEMO SECTION @ DRIVE THRU
SCALE: 1/2" = 1'-0"

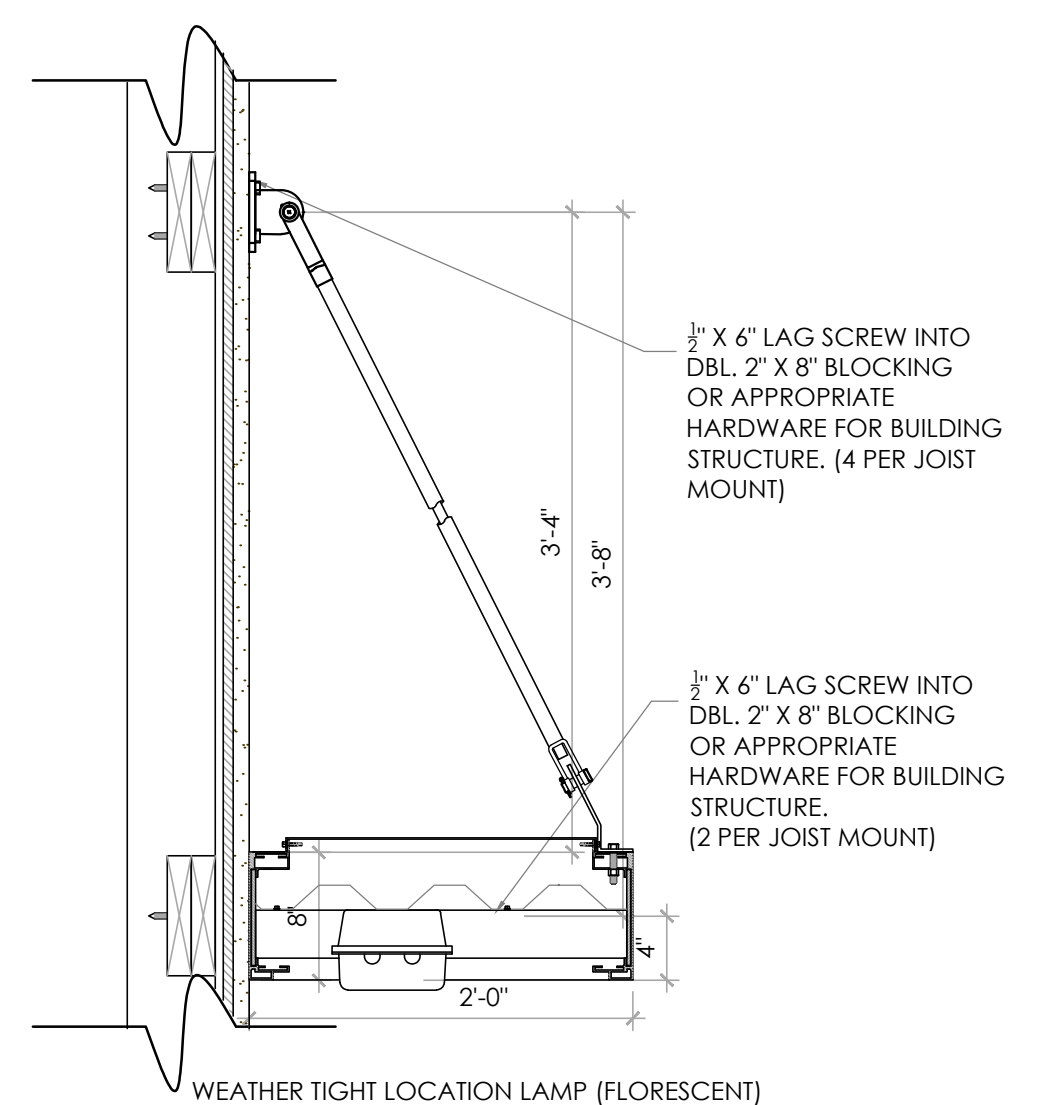


4 PROPOSED SECTION @ DRIVE THRU
SCALE: 1/2" = 1'-0"

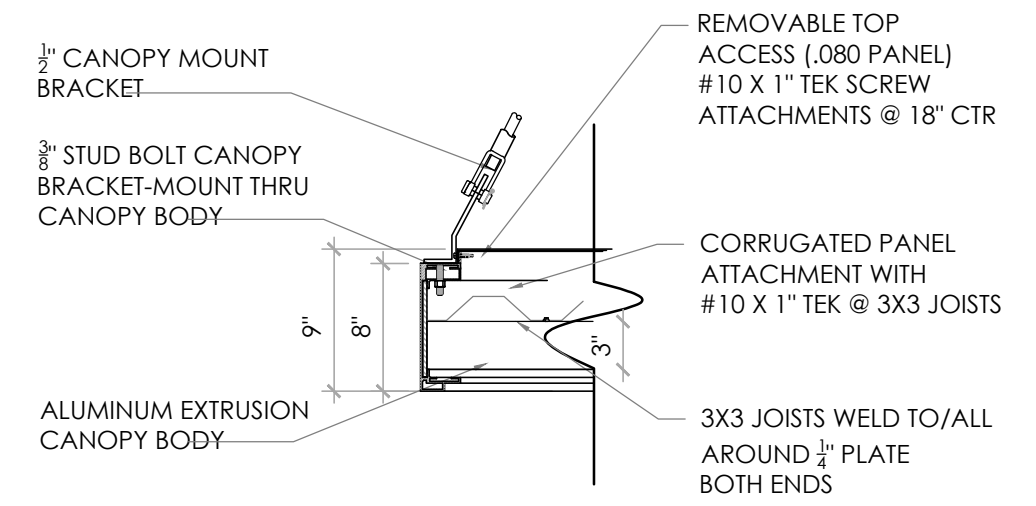


CANOPY FRONT VIEW
SCALE: 1" = 1'-0"

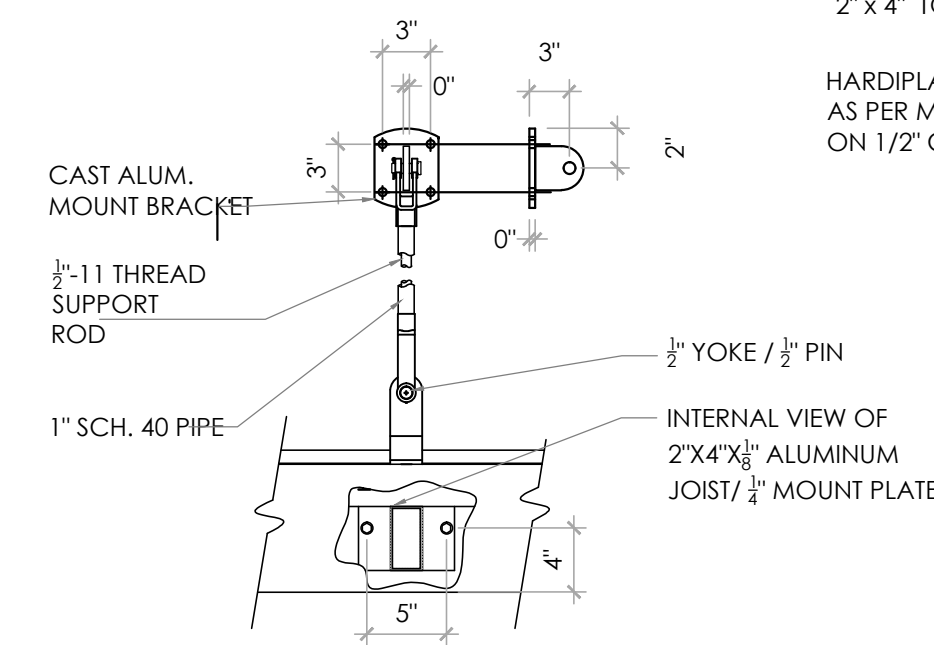
5 CANOPY DETAIL
NOT TO SCALE



CANOPY SECTION VIEW
SCALE: 1" = 1'-0"



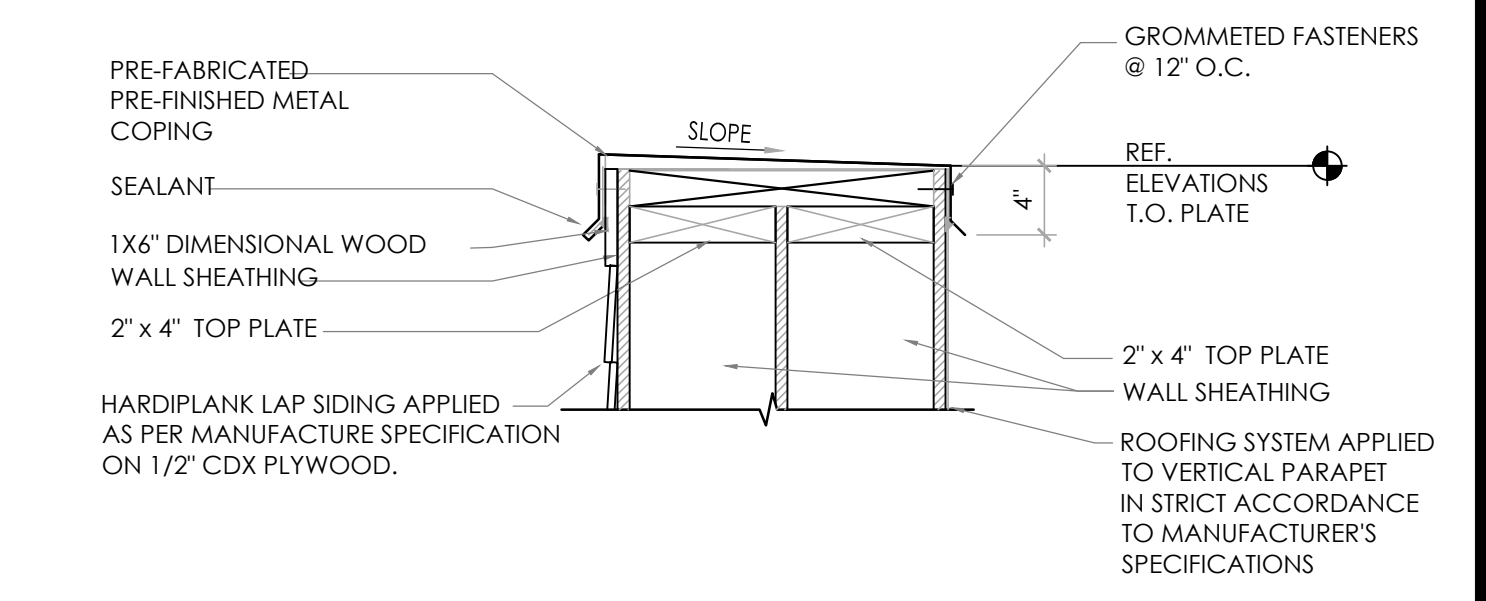
CANOPY SECTION TIE ROD SUPPORT
SCALE: 1" = 1'-0"



CANOPY TIE ROD SUPPORT DETAIL
SCALE: 1" = 1'-0"

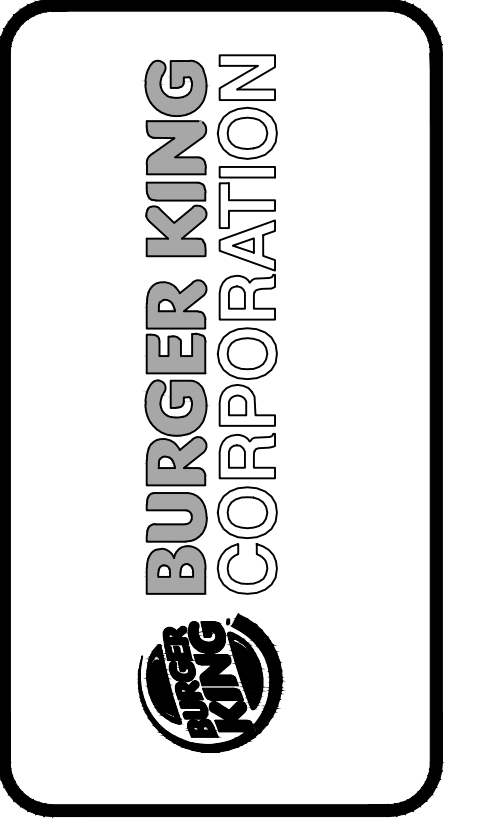
GENERAL NOTES

- ALL NICHHA PANELS AND HARDIE PLANKS ARE TO BE INSTALLED PER MANUFACTURERS SPECIFICATIONS. IF DISCREPANCIES OCCUR BETWEEN CONSTRUCTION DRAWINGS AND MANUFACTURER'S DETAILS, MANUFACTURER'S INSTALLATION TAKES PRECEDENCE AS TO VALIDATE WARRANTY OF PRODUCT.
- EXISTING CONDITIONS ARE BASED ON PROTOTYPICAL CONDITIONS AND MAY NOT REFLECT ACTUAL CONDITIONS. G.C. TO VERIFY EXISTING CONDITIONS AND CONSULT WITH ARCHITECT ON DISCREPANCIES.



6 PARAPET DETAIL
NOT TO SCALE

Notes	
By	
Date	
No.	
Drawn By: TC	
Checked: SB	
Scale: AS NOTED	
Date: 04.01.16	



TECHNICAL CORP., INC.
37716 Hills Tech Drive
Farmington Hills, MI 48331
(248) 426-8000
(248) 426-7004



PROJECT
BURGER KING #13916
34897 CROSSBEC HWY.
CLINTON TWP, MI 48035

SHEET TITLE
WALL SECTIONS & DETAILS

DO NOT SCALE THIS PRINT. USE FIGURED DIMENSIONS ONLY.

JOB #
TG-16350

SHEET
A-6