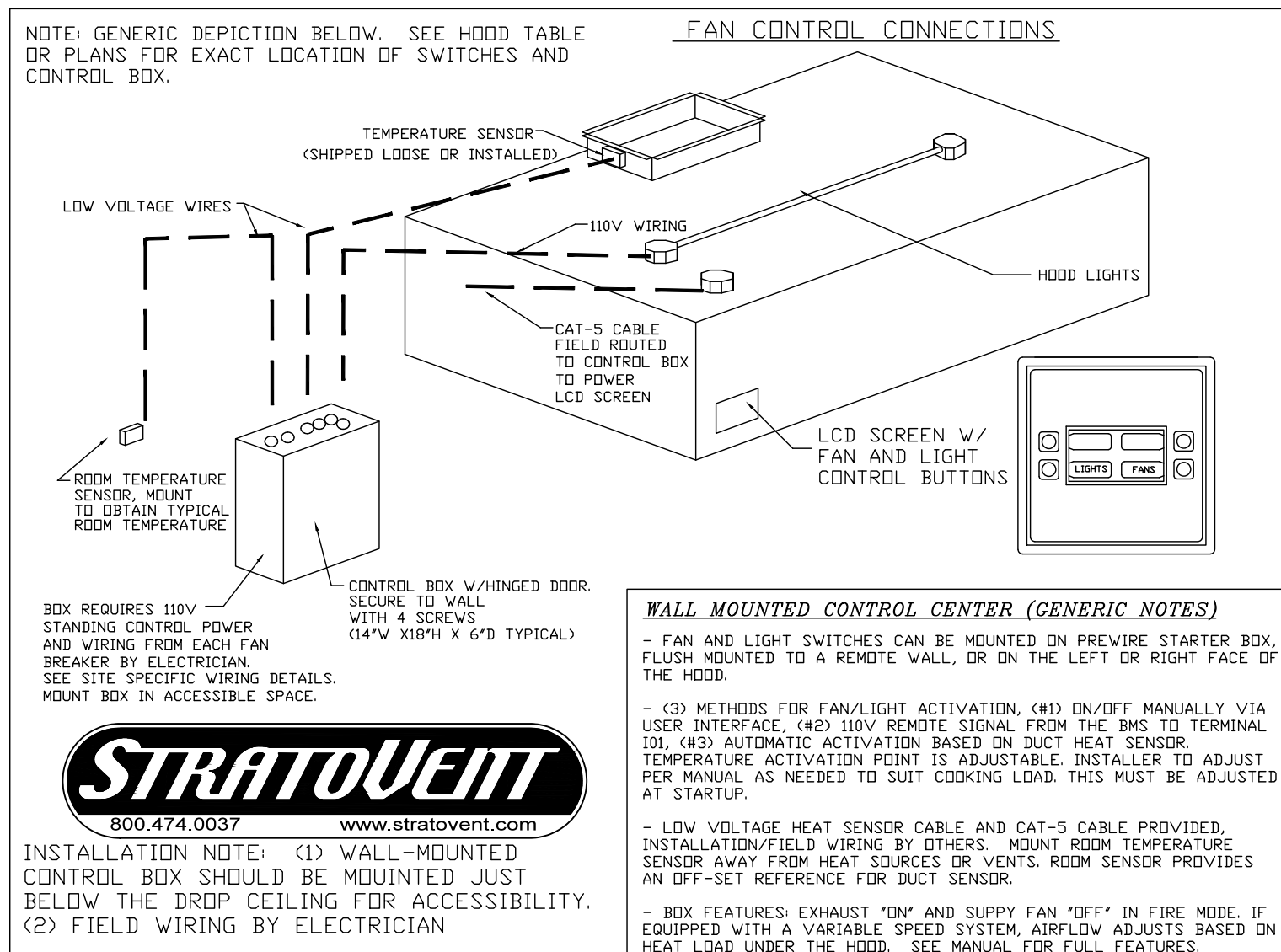
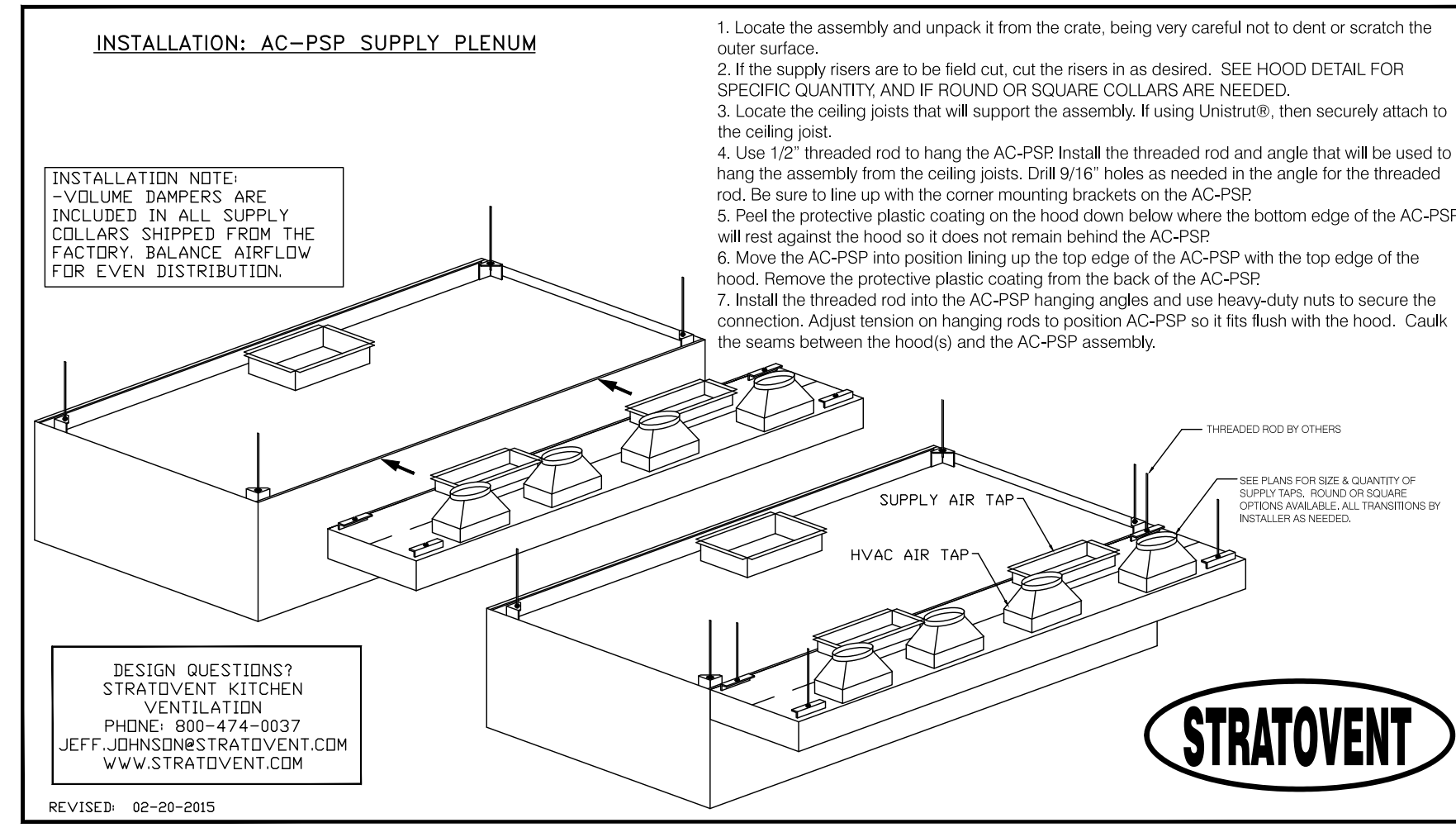
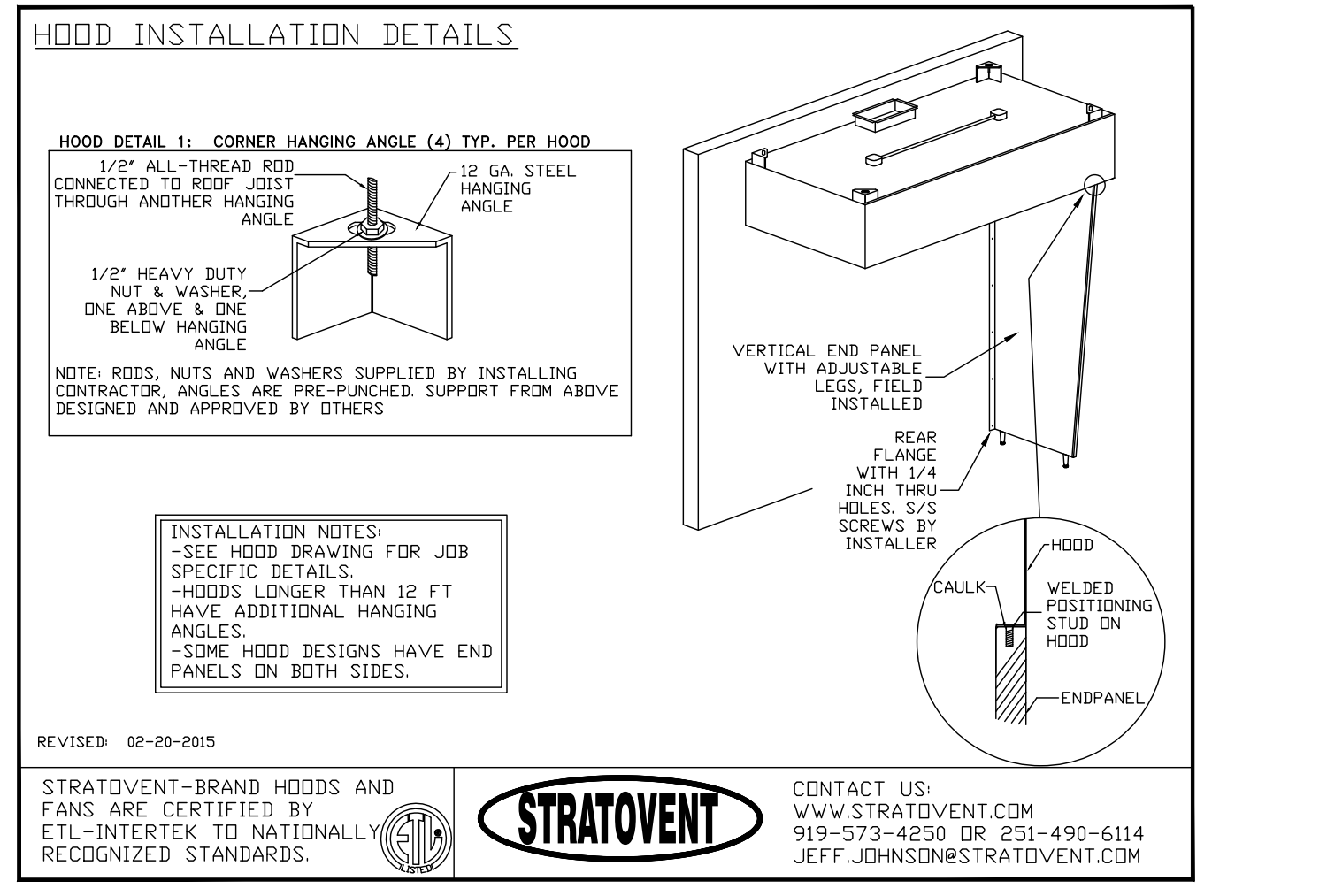
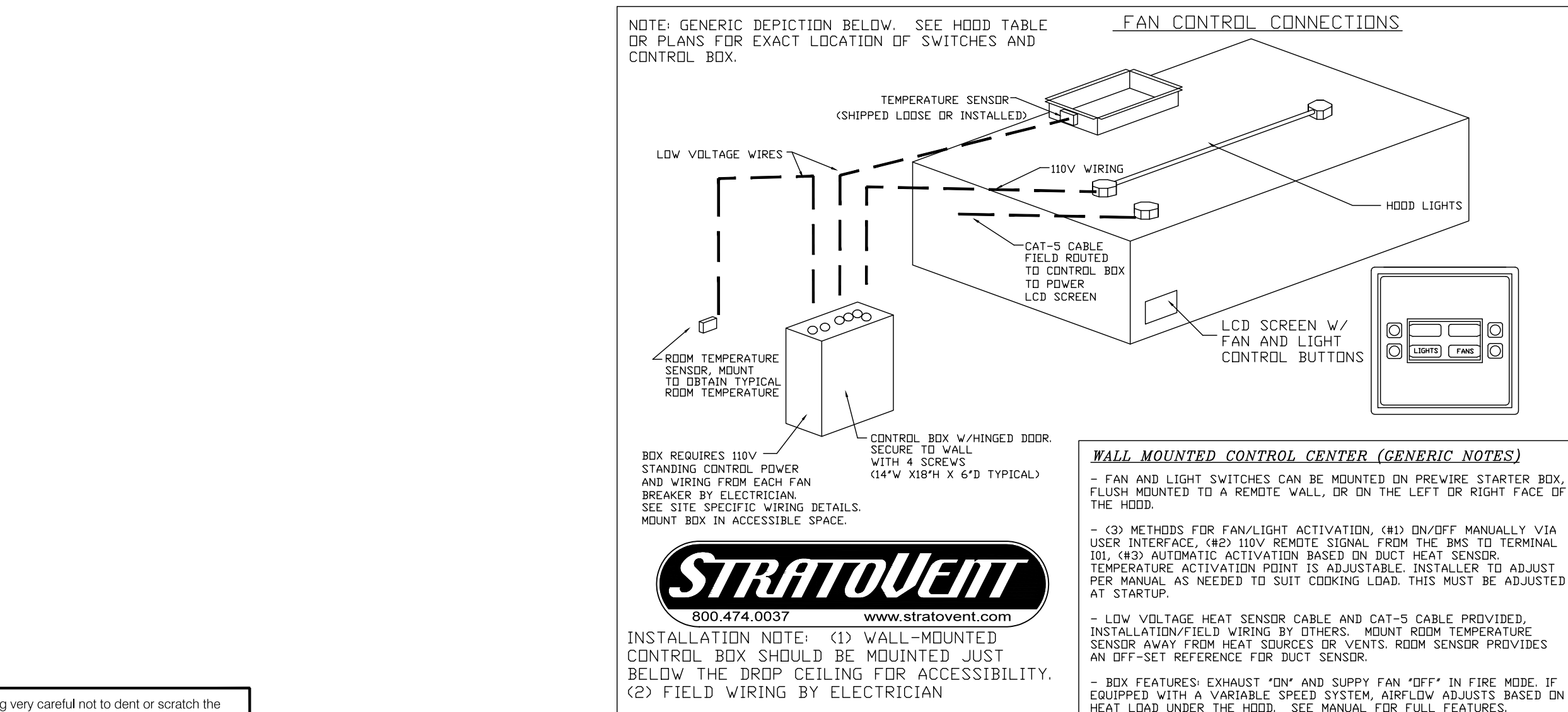
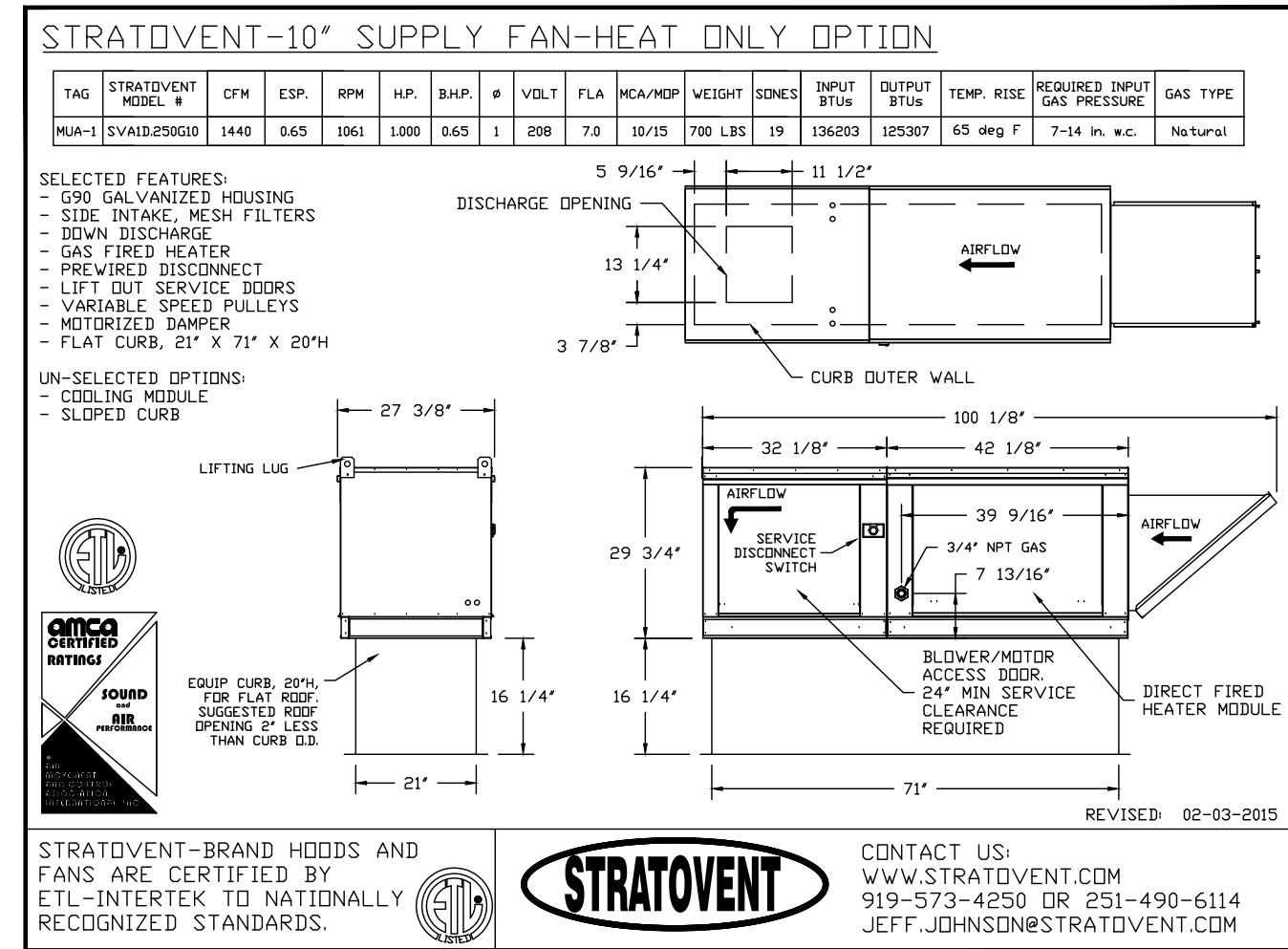
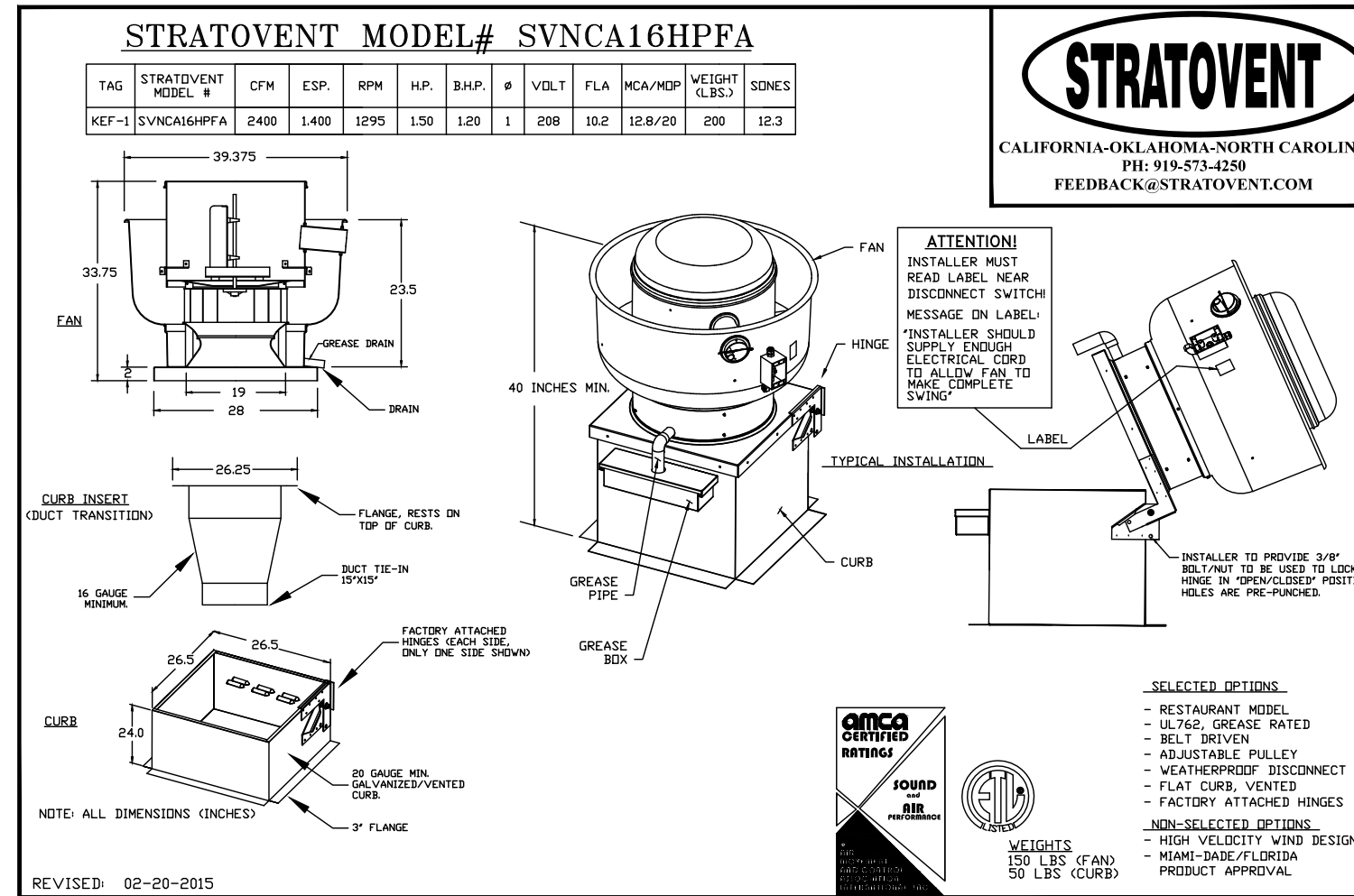
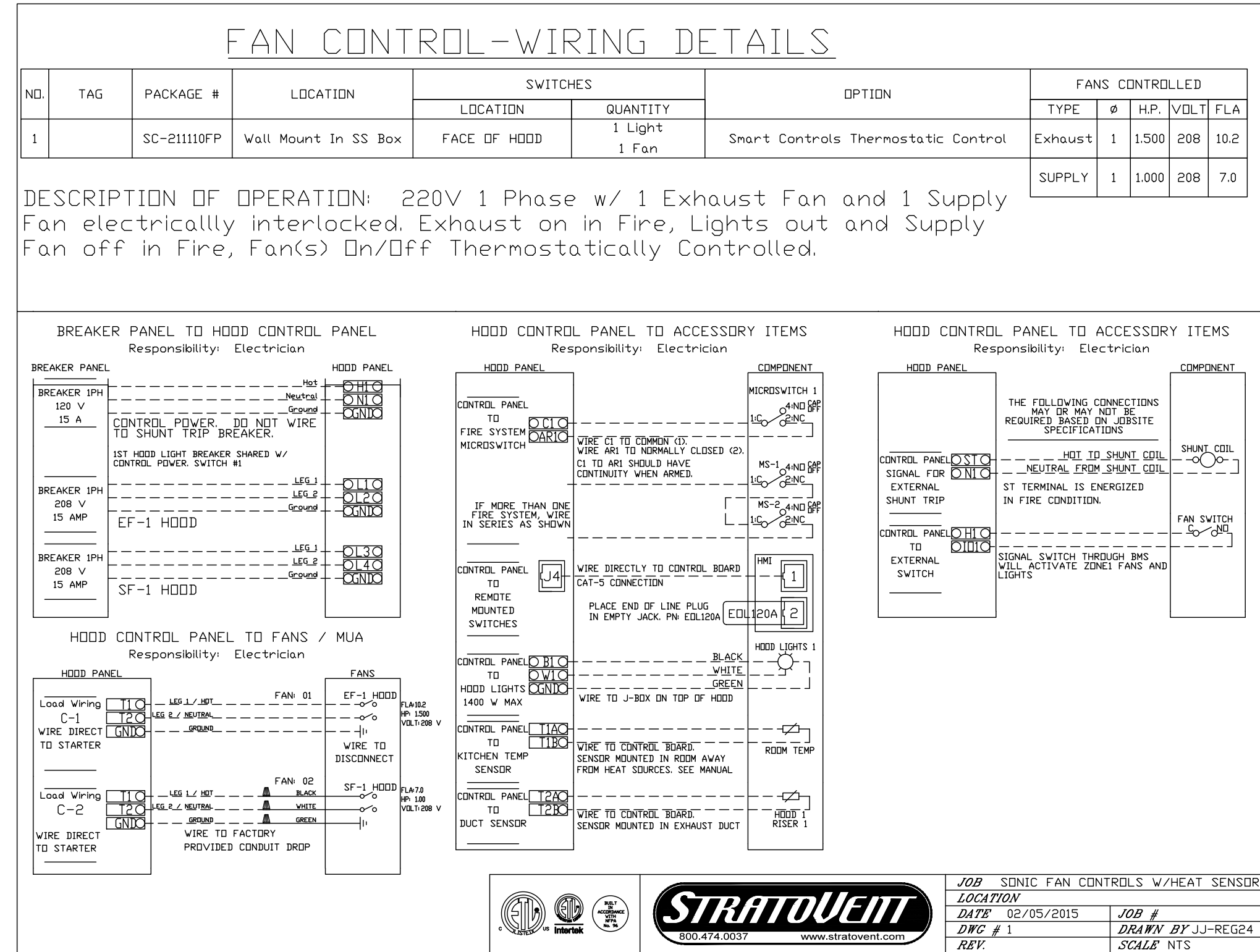
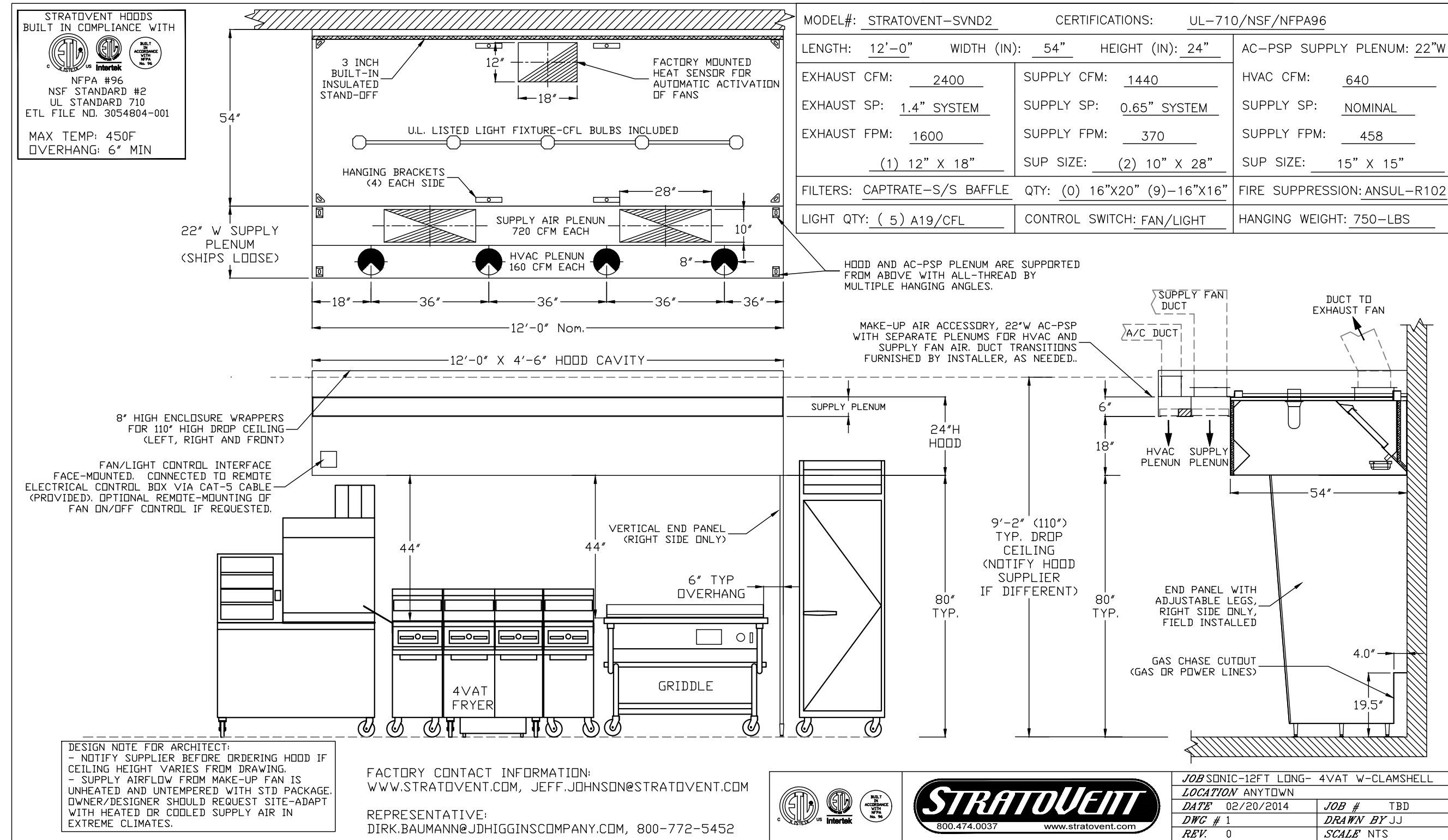


# HOOD DETAILS - 4VAT FRYER & GRIDDLE



REVISIONS	
DESCRIPTION	DATE

**STRATOVENT**  
 800.474.0037 www.stratovent.com

**Stratovent**  
 4641 Paragon Park, Raleigh, NC 27616 PHONE: (919) 573-4250 FAX: (919) 573-4251 EMAIL: jeff.johnson@stratovent.com

12FT L SONIC- FIXED SPEED-HEAT ONLY  
 KOKOMO, IN

**DATE:** 03/18/2016  
**DWG#:**  
**DRAWN BY:** JJ-REG24  
**SCALE:** NOT TO SCALE  
**MASTER DRAWING**

**SHEET NO.**  
 HOOD1