

10
A5.03

NOT USED

7
A5.03

NOT USED

8
A5.03

NOT USED

11
A5.03

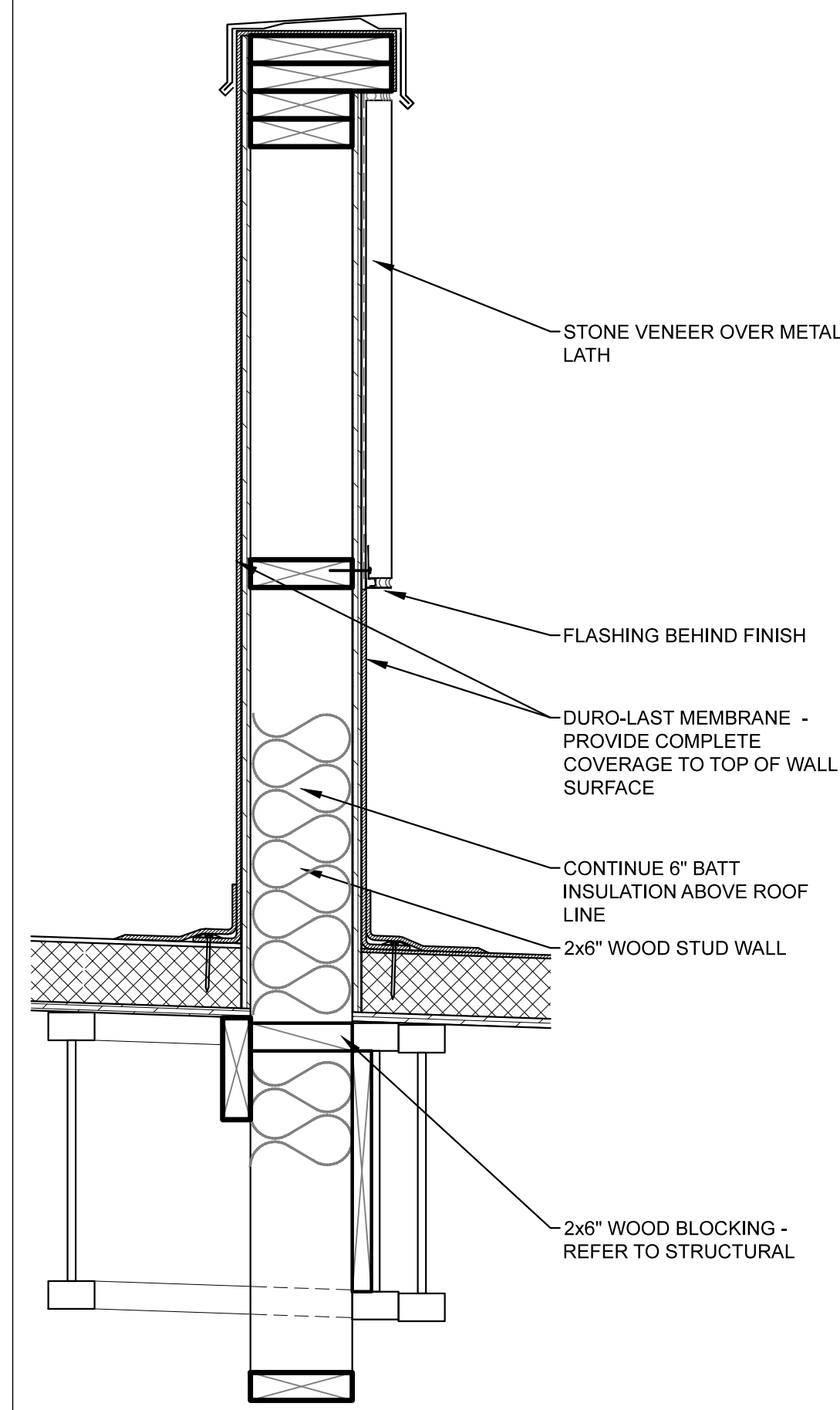
NOT USED

12
A5.03

NOT USED

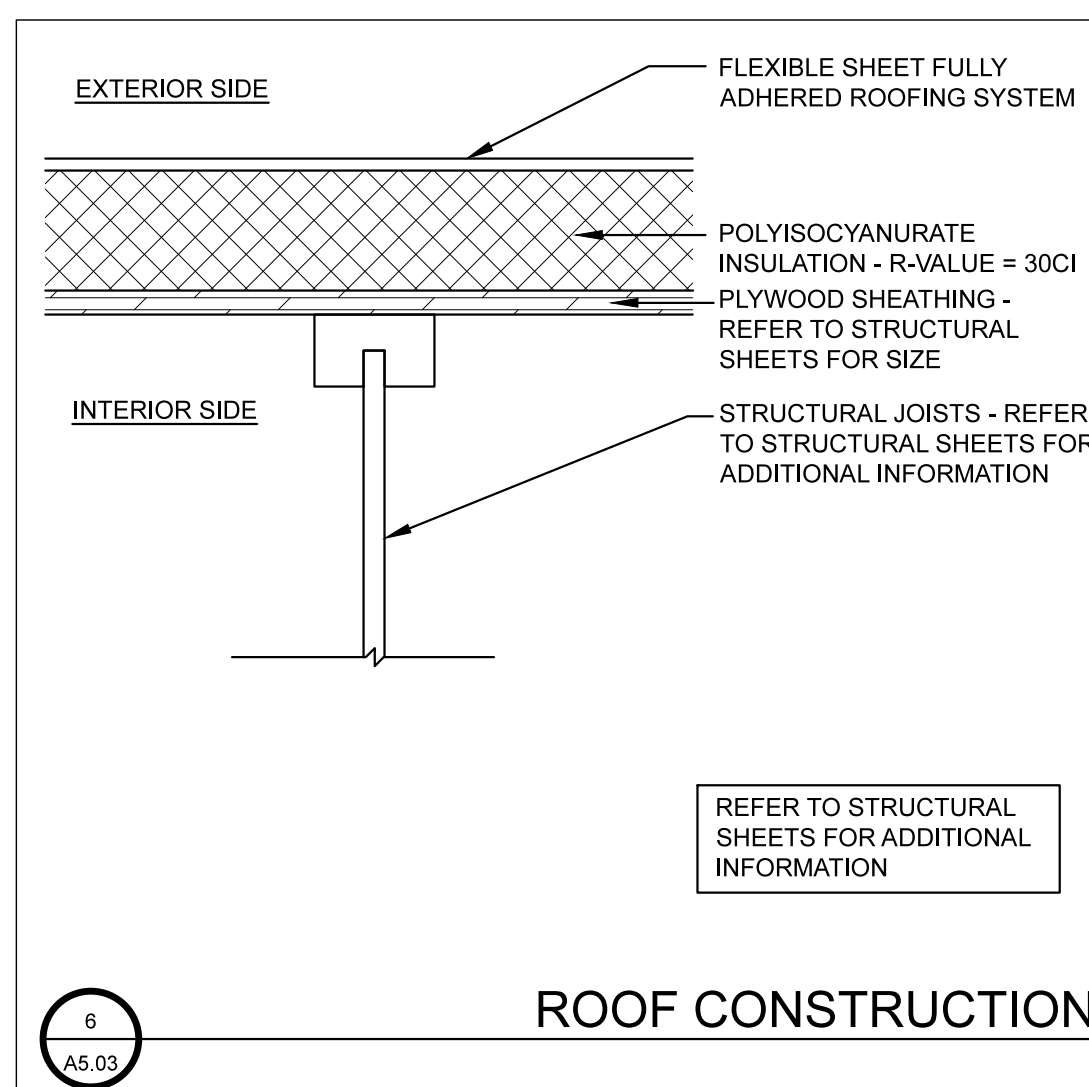
5
A5.03

PARAPET DETAIL
1 1/2" = 1'-0"



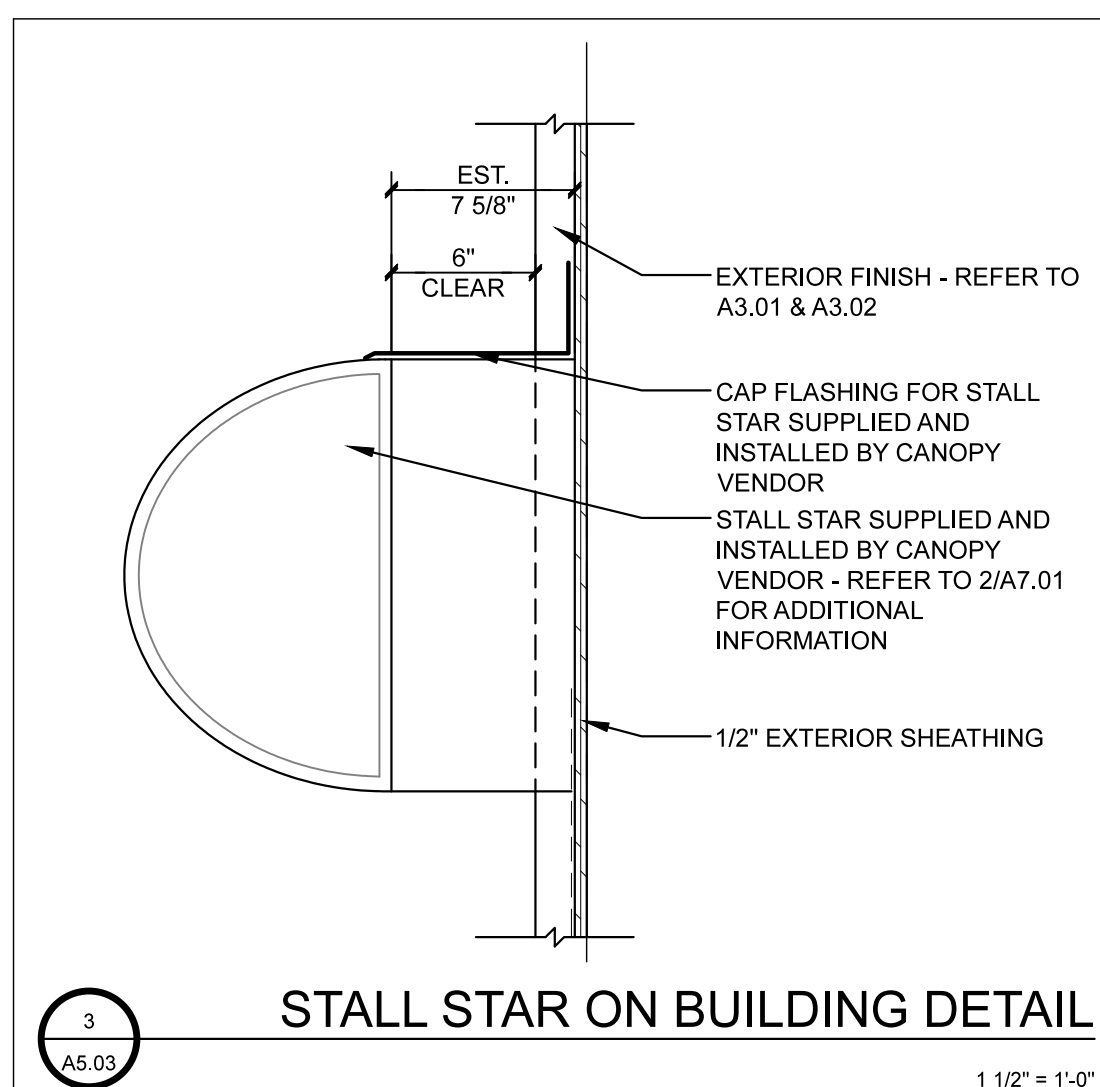
2
A5.03

NOT USED



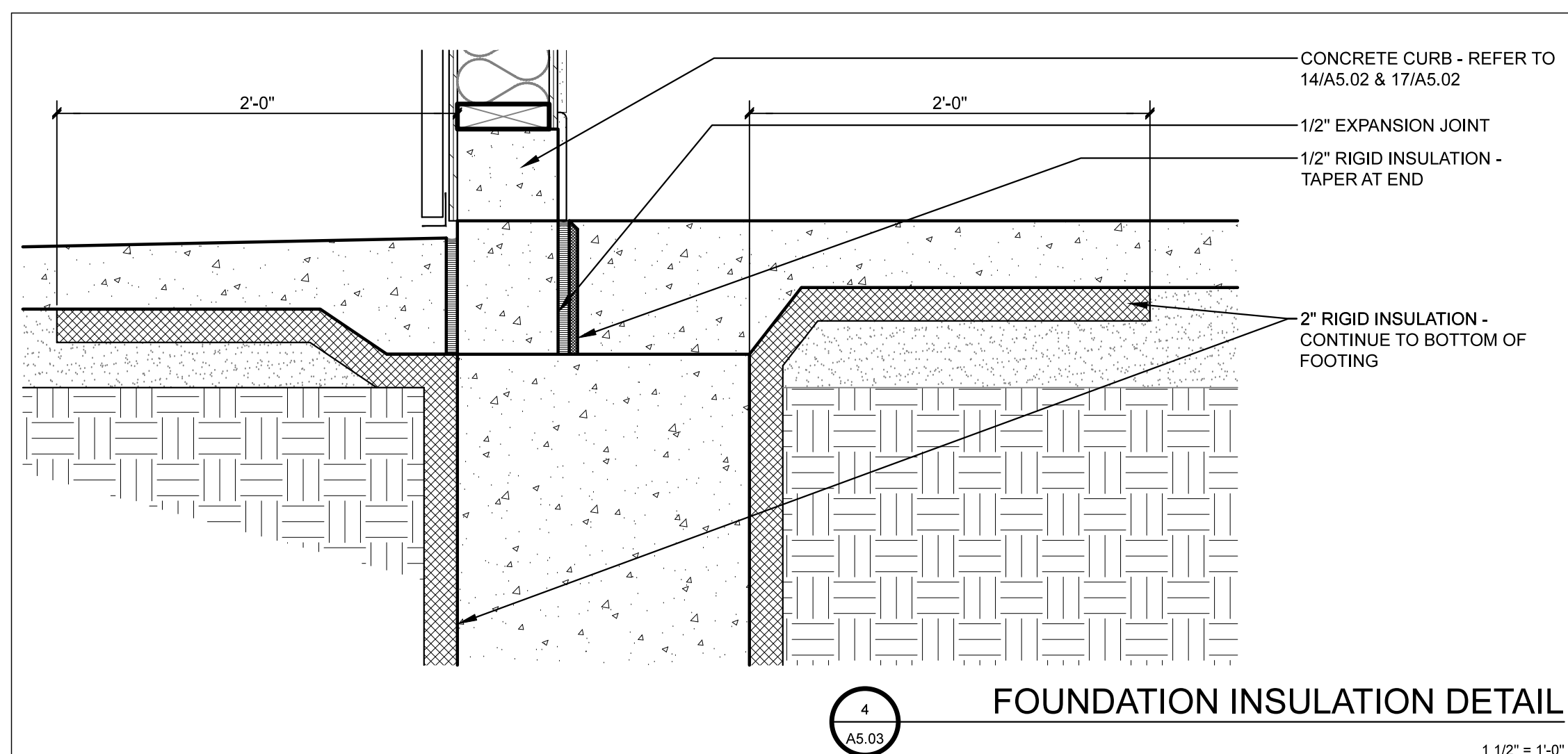
6
A5.03

ROOF CONSTRUCTION



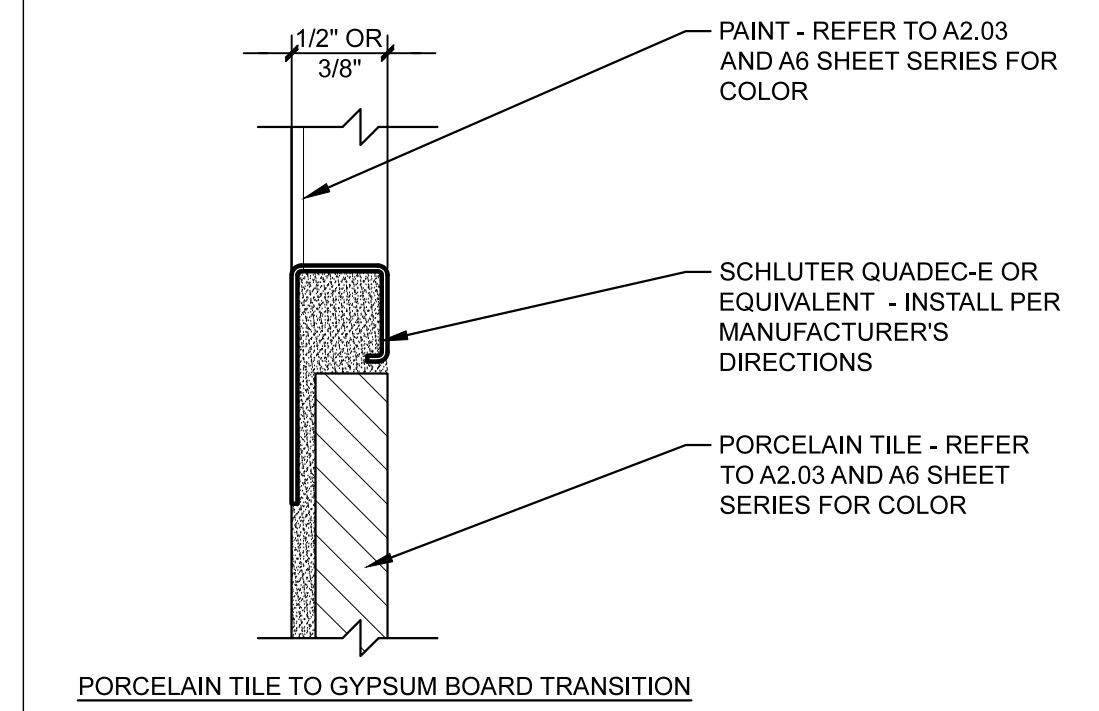
3
A5.03

STALL STAR ON BUILDING DETAIL
1 1/2" = 1'-0"

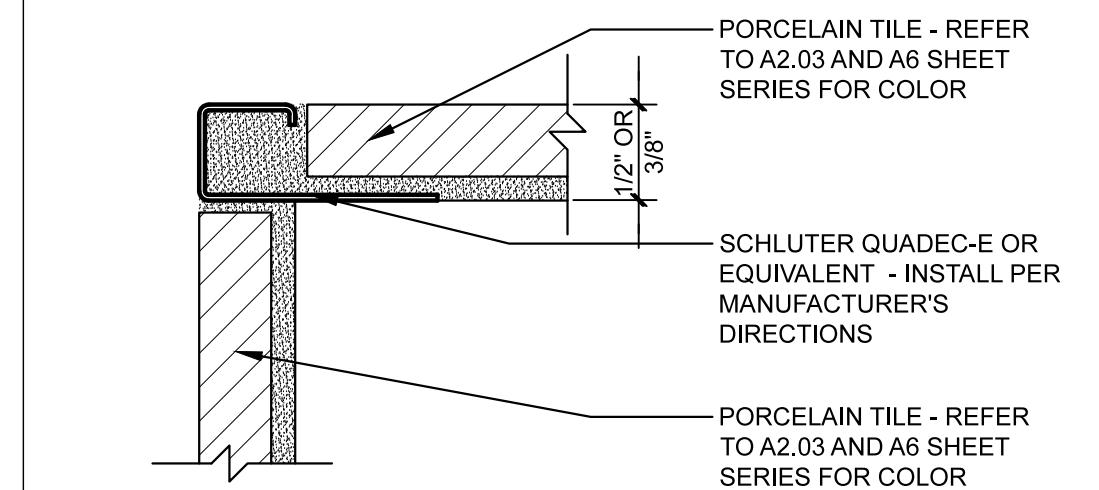


4
A5.03

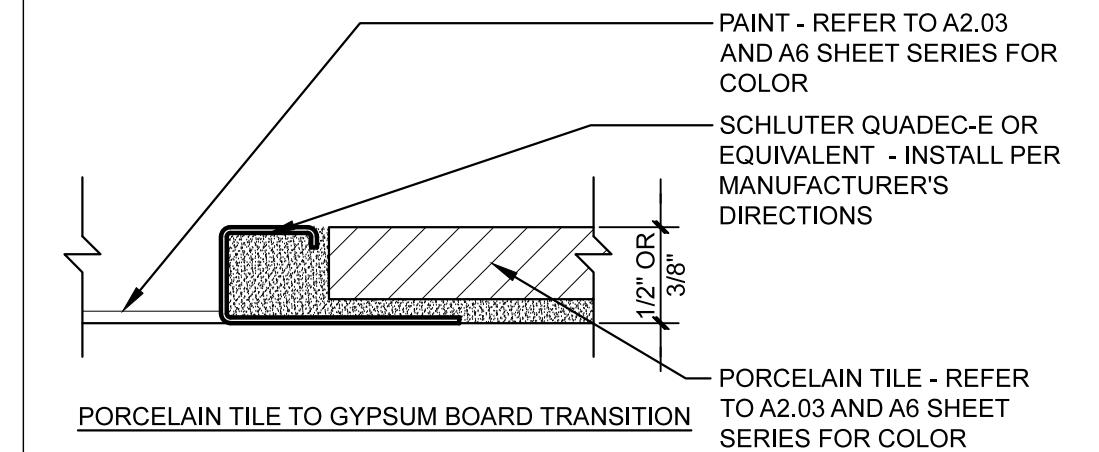
FOUNDATION INSULATION DETAIL
1 1/2" = 1'-0"



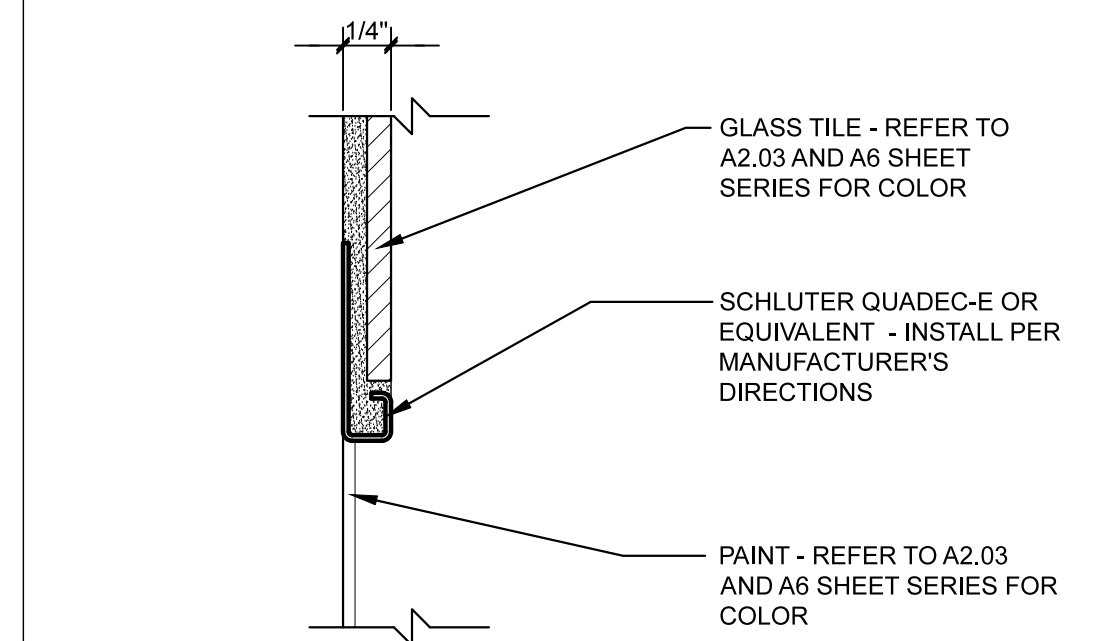
PORCELAIN TILE TO GYPSUM BOARD TRANSITION



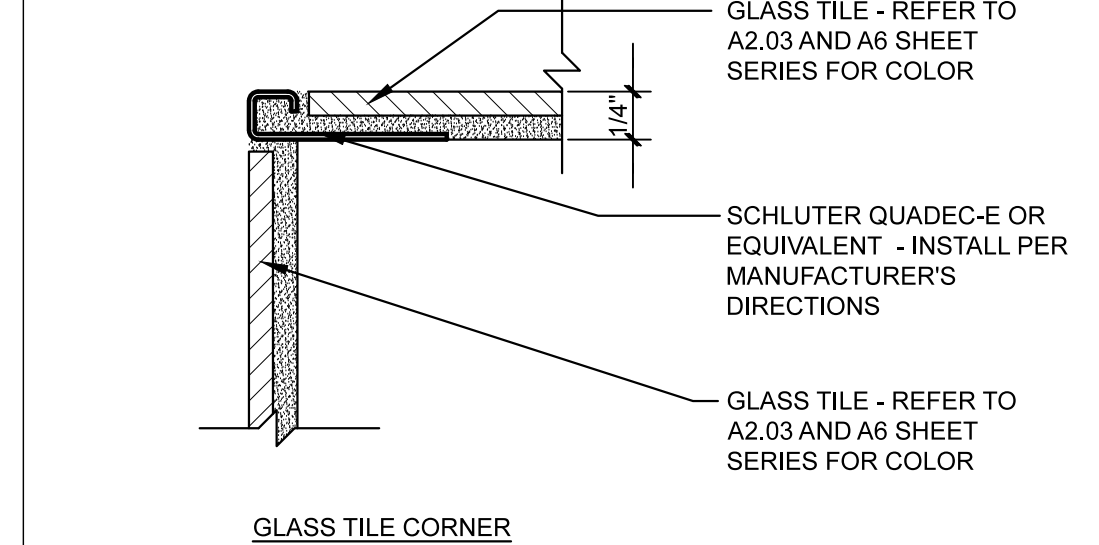
PORCELAIN TILE CORNER



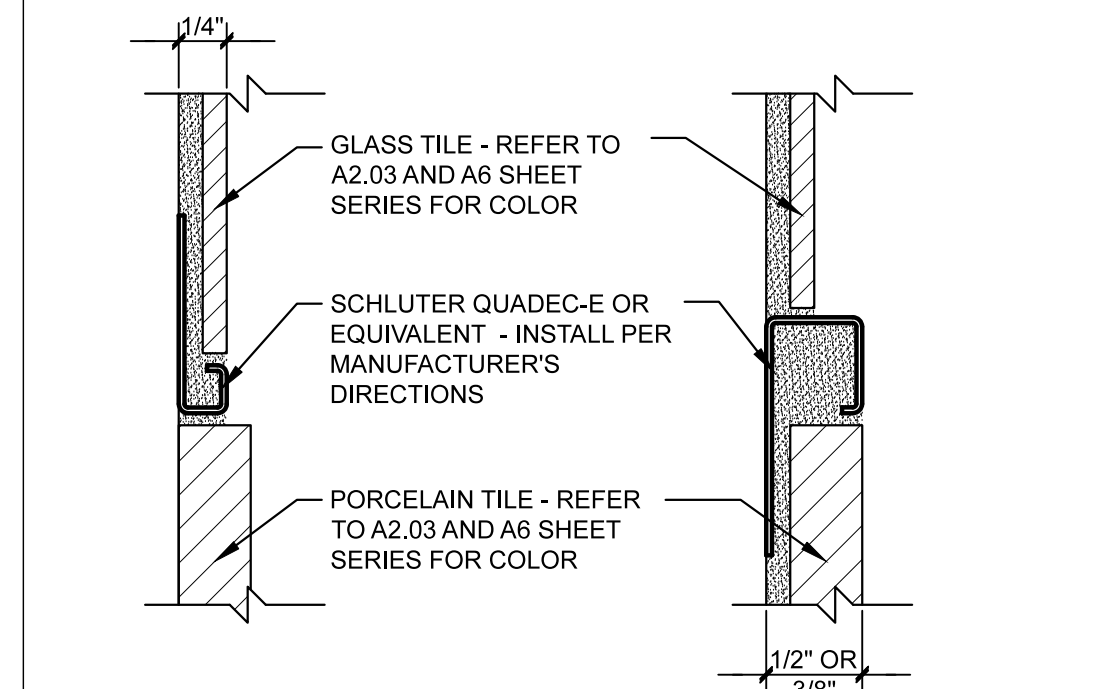
PORCELAIN TILE TO GYPSUM BOARD TRANSITION



GLASS TILE TO GYPSUM BOARD TRANSITION



GLASS TILE CORNER



GLASS TILE TO PORCELAIN TRANSITION

1
A5.03

TILE TRANSITIONS
1" = 1"

CONSULTANT:



15 Ninth Avenue North, Hopkins, MN 55343
Phone: 952.941.8860 www.wilkusarch.com

CLIENT:



GEAUX SONIC LLC
1012 SOUTH COOPER STREET
GREENTOWN, IN 46901

PROJECT INFORMATION:

SONIC

SONIC DRIVE-IN RESTAURANT
2321 E. MARKLAND AVENUE
KOKOMO, IN 46901
STORE #6534

SEAL:

THIS DOCUMENT IS CERTIFIED BY MICHAEL J. WILKUS, ARCHITECT.



SIGNATURE
MICHAEL J. WILKUS, ARCHITECT
LICENSE NUMBER: AR09070040
EXPIRATION DATE: 12-31-16

03-18-16
DATE

PROJECT NO.: 2015-1674

DRAWN BY: J.A.K.

CHECKED BY: M.J.W.

ISSUE: DATE:

PERMIT SET: 03-18-16

REVISION: DATE:

PROJECT LOCATION:

KOKOMO, IN

SHEET NUMBER / TITLE:

A5.03

ARCHITECTURAL DETAILS