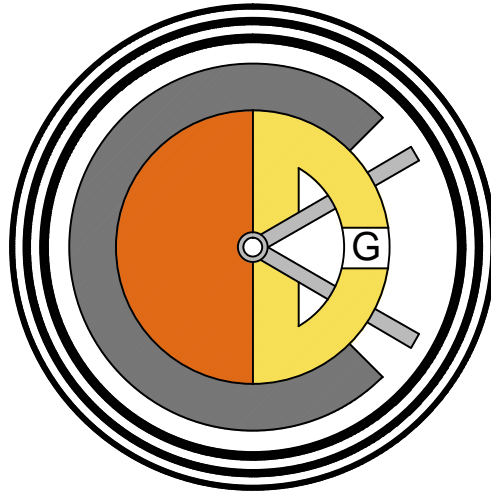


C:\Vault\Workspace\Project Files1 - Projects\Burger King\ID\Detroit, MI (19901 Van Dyke Road) BK#6796\Detroit, MI #160017\Design\Detroit, MI #160017 Improved BK Custom



**CASABLANCA
DESIGN GROUP**
811 PICKENS INDUSTRIAL DR.
MARIETTA, GA 30062
P 770.423.9575
F 770.423.9402

BURGER KING RESTAURANT

DETROIT, MI

19901 VAN DYKE ROAD

NATIONAL STORE #: BK6796

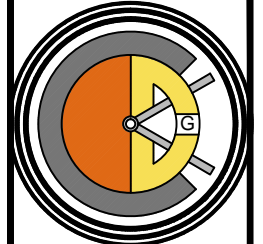
CDG JOB #: 160017

STORE TYPE: REMODEL

PACKAGE: 20/20 LO2 IMPROVED (BK CUSTOM RED)

TERRITORY MANAGER: JOHN HARRISON (770) 337-0931

DESIGNER OF RECORD: EHW



**CASABLANCA
DESIGN GROUP**
P 770.423.9575
F 770.423.9402

PRE-CONSTRUCTION DRAWINGS
PLANS ARE PRODUCED FROM ARCHITECTURAL DRAWINGS
RECEIVED: 01.07.2016

DISCLOSURE OF COMPENSATION FOR PROFESSIONAL SERVICE:
INTERIOR DESIGN DOCUMENTS WHICH ARE PREPARED BY A REGISTERED INTERIOR DESIGNER SHALL CONTAIN A STATEMENT THAT THESE DOCUMENTS ARE NOT AN ARCHITECTURAL OR ENGINEERING STUDY, DRAWING, SPECIFICATION, OR DESIGN AND ARE NOT TO BE USED FOR CONSTRUCTION OF ANY LOAD BEARING COLUMNS, LOAD BEARING FRAMING OR WALLS OF STRUCTURES, OR ISSUANCE OF ANY BUILDING PERMIT, EXCEPT AS OTHERWISE PROVIDED BY LAW.

ALL IDEAS, DESIGNS, ARRANGEMENTS AND PLANS INDICATED OR REPRESENTED BY THIS DRAWING ARE OWNED BY, AND THE PROPERTY OF CASABLANCA DESIGN GROUP AND WERE CREATED, EVOLVED AND DEVELOPED FOR USE ON, AND IN CONNECTION WITH THE SPECIFIED PROJECT. NONE OF SUCH IDEAS, DESIGNS, ARRANGEMENTS OR PLANS SHALL BE USED BY OR DISCLOSED TO ANY PERSON, FIRM OR CORPORATION FOR ANY PURPOSE WHATSOEVER WITHOUT THE WRITTEN PERMISSION OF C.D.G. WRITTEN DIMENSIONS ON THESE DWG'S. SHALL TAKE PRECEDENCE OVER SCALED DIMENSIONS. CONTRACTORS SHALL VERIFY AND BE RESPONSIBLE FOR ALL DIMENSIONS AND CONDITIONS ON THE JOB AND THIS OFFICE MUST BE NOTIFIED OF ANY VARIATIONS FROM THE DIMENSIONS AND CONDITIONS SHOWN BY THESE DRAWINGS.

TABLE OF CONTENTS

ID-01	COVER SHEET
ID-02	GENERAL NOTES
ID-03	FLOOR PLAN
ID-04	FINISH PLAN
ID-05	PARTITION PLAN (FORTHCOMING)
ID-06	CORE-DRILL PLAN
ID-07	CORE-DRILL DETAILS (FORTHCOMING)
ID-08	ELECTRICAL PLAN
ID-09	REFLECTED CEILING PLAN
ID-10	CEILING SCHEDULES & DETAILS
ID-11	ELEVATIONS
ID-12	ELEVATIONS
ID-13	ELEVATIONS
ID-14	ELEVATIONS
ID-15	FURNITURE DETAILS
ID-16	FURNITURE DETAILS
ID-17	FURNITURE SCHEDULE
ID-18	DECOR SCHEDULE
ID-19	BUILDING FINISH SCHEDULE
ID-20	BUILDING FINISH SCHEDULE
ID-21	BUILDING FINISH SCHEDULE

PERMIT PLANS

DATE	ISSUE / REVISION / DESCRIPTION

Burger King Restaurant
DETROIT, MI 160017: BK#6796:
20/20 LO2 IMPROVED (BK CUSTOM RED)
19901 VAN DYKE ROAD
EHW

SHEET TITLE
COVER SHEET
SHEET
ID-01

2.9.2016 Elizabeth Wooten C:\Vault\Workspace\Project Files\1 - Projects\Burger King\ID\Detroit, MI (19901 Van Dyke Road) BK#6796\Detroit, MI #160017\Design\Detroit, MI #160017\Improved BK Custom

GENERAL NOTES

CONSTRUCTION

1. DO NOT SCALE OFF PLANS. CALL CASABLANCA DESIGN GROUP FOR ADDITIONAL DIMENSIONS (770) 423-9575
2. THE GC SHALL VERIFY ALL DIMENSIONS AND CONDITIONS AT THE JOB SITE AND NOTIFY CDG OF ALL DISCREPANCIES PRIOR TO STARTING WORK.
3. GC IS TO REVIEW CDG'S PLANS AGAINST THE ARCHITECTURAL DRAWING SET THEY ARE USING ON SITE. GC SHALL NOTIFY CDG IMMEDIATELY IF THEY NOTICE DISCREPANCIES, OR IF THE DATE ON THEIR ARCHITECTURAL PLANS DOES NOT MATCH THE DATE NOTED ON COVER PAGE OF WHICH CDG RECEIVED ARCHITECTURAL PLANS USED TO CREATE THIS DRAWING SET.
4. DIMENSIONS MARKED "GC TO VERIFY" MUST BE VERIFIED, AND THE MEASUREMENTS COMMUNICATED TO CDG, PRIOR TO CDG COMPLETING FABRICATION OF DECOR. FAILURE TO COMMUNICATE VERIFIED DIMENSIONS TO CDG COULD RESULT IN A DELAY OF DECOR FABRICATION, AND POSSIBLE DELAY OF SHIPMENT. COST INCURRED DUE TO DELAY WILL BE AT CONTRACTOR'S EXPENSE.
5. DIMENSIONS MARKED AS "HOLD" ARE CRITICAL! DO NOT CHANGE. CHANGES OR CORRECTIONS IN THESE DIMENSIONS WILL BE MADE AT THE CONTRACTOR'S OR OWNER'S EXPENSE.
6. ALL DIVIDER WALL ANGLES ARE 45°, 90°, OR 135° UNLESS OTHERWISE SPECIFIED
7. GC TO LOCATE THERMOSTATS AND SENSORS SO AS NOT TO INTERFERE WITH DECOR
8. GC TO REFER TO ELEVATIONS FOR WALL HEIGHTS
9. GC TO REFER TO ELEVATIONS FOR TYPICAL WALL FINISHES
10. WALL DIMENSIONS NOTED ON PLANS REPRESENT FINISHED WALL DIMENSIONS. IT IS THE RESPONSIBILITY OF THE GC TO ACCOUNT FOR ACTUAL FINISH THICKNESS WHEN FRAMING
11. WOOD BLOCKING IS REQUIRED IN WALLS FOR MOUNTING OF ALL DECOR, CABINETS AND METAL COUNTER SUPPORTS

FINISH SPECIFICATION & ORDERING OF MATERIALS

12. GC TO ORDER BY COMPLETE SPECIFICATION, INCLUDING SERIES, ITEM NUMBER AND COLOR. ANY DISCREPANCIES SHOULD BE COMMUNICATED TO CDG IMMEDIATELY.
13. LONG LEAD TIME ITEMS ARE NOTED ON PLANS BY CDG. IT IS THE RESPONSIBILITY OF THE GC TO ALLOW FOR ADDITIONAL TIME WHEN ORDERING THESE ITEMS. CDG WILL NOT BE RESPONSIBLE FOR COSTS ASSOCIATED WITH PROJECT DELAYS, EXPEDITING FEES, OR RE-SELECTIONS WHEN GC DOES NOT ACCOUNT FOR LONG LEAD TIME.
14. GC MUST NOTIFY CDG IF ALTERNATE FINISH SELECTION IS REQUIRED DUE TO BACK ORDER OF MATERIAL. GC MUST ALLOW APPROPRIATE TIME FOR CDG TO RESELECT AND RECEIVE OWNER'S APPROVAL OF CHANGE PRIOR TO ORDERING ALTERNATE SELECTIONS.
15. CHANGES TO FINISHES AS REQUESTED BY OWNER AFTER MATERIALS ARE ORDERED MAY RESULT IN OWNER ASSUMING RESTOCKING FEES OR OTHER ADDITIONAL COSTS ASSOCIATED WITH A RE-SELECTION

TILE

WALL TILE

16. ALL OUTSIDE CORNERS OF TILE WALLS TO RECEIVE EDGE PROTECTION PER TRIM SCHEDULE ITEM #TR-3L. #TR-3L TRIM IS ALSO LOCATED WHERE TILE CHANGES TO WALL VINYL OR PAINT. IT IS THE GC'S RESPONSIBILITY TO ORDER THE CORRECT SIZE SCHLUTER TRIM SYSTEM FOR INSTALLATION.
17. GC TO ORDER OUTSIDE CORNERS AND CONNECTORS AS REQUIRED FOR INSTALLATION OF TRIM SYSTEM AND CHAIR RAIL.
18. TILE PATTERNS ARE SHOWN ON ELEVATIONS FOR REPRESENTATION OF INSTALLATION PATTERN ONLY. DO NOT SCALE.
19. WHERE APPLICABLE, GC TO INSURE WALL TILE SPECIFIED IN RESTROOMS AND FOOD SERVICE/PREP AREAS MEETS LOCAL HEALTH CODE REQUIREMENTS
20. RECOMMENDED GROUT JOINT, CONDITIONS PERMITTING, IS 1/8"

FLOOR TILE & BASE TILE INSTALLATION

21. RECOMMENDED GROUT JOINT, SLAB PERMITTING, IS 1/8"
22. BASE TILE TO BE LOCATED AS REQUIRED PER ELEVATIONS
23. BASE TILE IN KITCHEN MUST MATCH FLOOR FINISH SPECIFICATION FOR KITCHEN TILE (NOT INCLUDED IN DECOR SCOPE)
24. IT IS THE RESPONSIBILITY OF THE GC TO ACCOUNT FOR VARIANCE IN TILE THICKNESS TO INSURE A FLUSH FLOOR TILE INSTALLATION
25. IF COVE BASE TILE IS USED, GC MUST INSTALL COVE BASE TO BE FLUSH WITH FLOOR TILE
26. APPLICATION OF GROUT SEALER IS MANDATORY FOR THE GC
27. POST INSTALLATION: GC IS RESPONSIBLE TO INSURE APPLICATION OF A POST

INSTALLATION CLEANER SUCH AS EW DETERDEK CLEANING SOLUTION ON ALL FLOOR TILE APPLICATIONS TO INSURE PORCELAIN TILE IS CLEANED PROPERLY AFTER INSTALLATION TO AVOID GROUT AND/OR THIN SET REMANENCE THAT MAY ATTRACT DIRT AND DEBRIS. CONTACT JAN DETER, 714-309-9551, TO ORDER.

CEILING

28. GC MUST COORDINATE ALL EXISTING HVAC REGISTERS/GRILLS/RETURNS WITH NEW CEILING PLAN. IF EXISTING ITEMS INTERFERE WITH NEW CEILING PLAN, GC SHALL ADJUST ACCORDINGLY OR CONTACT CDG AT 770-423-9575 TO DISCUSS OPTIONS.
29. GC TO INSURE CEILING TILES IN KITCHEN AND BEVERAGE BAR AREA MEET LOCAL HEALTH CODE REQUIREMENT. HVAC UNITS MUST BE PAINTED TO MATCH CEILING WHERE THEY ARE INSTALLED. ALL CEILING TILE SHOULD BE INSTALLED PER MANUFACTURER'S INSTRUCTIONS
30. CDG RECOMMENDS ORDERING ADDITIONAL STOCK OF COLORED CEILING TILES FOR FUTURE REPLACEMENT/REPAIRS TO INSURE COLOR MATCH
31. WOOD BLOCKING IS REQUIRED TO INSTALL CEILING DECOR
32. DECOR UNITS SUSPENDED FROM CEILING MUST BE IN CONFORMANCE WITH LOCAL CODE AND SHALL BE THE RESPONSIBILITY OF THE GC TO SUPPORT AS REQUIRED.
33. SPRINKLERS ARE NOT INCLUDED ON RCP. IF REQUIRED, IT IS THE GC'S RESPONSIBILITY TO CONFIRM RCP AS SHOWN WORKS WITH SPRINKLER LAYOUT.

ELECTRICAL

34. ALL ELECTRICAL OUTLETS ARE LOCATED 18" A.F.F. UNLESS NOTED OTHERWISE .
35. TAMPER RESISTANT GFI RECEPTACLES ARE TO BE LOCATED 22-24" A.F.F. UNLESS NOTED OTHERWISE.
36. ALL POWER/DATA TO COME FROM CEILING UNLESS NOTED OTHERWISE. IF APPLICABLE, ELECTRICAL REQUIREMENTS AND FINAL OUTLET LOCATION GAME UNITS SHOULD BE COORDINATED WITH MANUFACTURER TO INSURE CORRECT INSTALLATION OF GAME UNIT.
37. ALL ELECTRICAL FIXTURES, WIRING AND INSTALLATION TO BE UL APPROVED.
38. PENDANTS ARE TO BE CENTERED OVER TABLE TOP ONCE FINAL INSTALLATION OF SEATING IS COMPLETE.

DECORATIVE LIGHTING

39. CDG PROVIDES NOTIFICATION WHEN LIGHTING SELECTIONS HAVE A POTENTIAL LONG LEAD TIME. IT IS THE RESPONSIBILITY OF THE GC TO ALLOW FOR ADDITIONAL TIME WHEN ORDERING THESE ITEMS. CDG WILL NOT BE RESPONSIBLE FOR COSTS ASSOCIATED WITH PROJECT DELAYS, EXPEDITING FEES, OR RESELECTIONS WHEN GC DOES NOT ACCOUNT FOR LONG LEAD TIME ITEMS

INSTALLATION

40. GC IS TO INSPECT CDG PRODUCT UPON DELIVERY. NOTICE OF DAMAGE MUST BE GIVEN WITHIN 24 HOURS OF DELIVERY. ANY DAMAGE NOTED AFTER THIS TIME PERIOD WILL BECOME THE RESPONSIBILITY OF THE GC AND WILL BE REPAIRED OR REPLACED AT GC'S EXPENSE.
41. GC IS RESPONSIBLE TO PROTECT PRODUCT DURING AND AFTER INSTALLATION. CDG WILL NOT BE RESPONSIBLE FOR PRODUCT REPLACEMENT DUE TO MISUSE BY OTHERS DURING AND/OR AFTER INSTALLATION.
42. CDG DOES NOT PROVIDE HYDRAULIC CEMENT FOR CORE-DRILLED METAL. IT IS THE GC'S RESPONSIBILITY TO SUPPLY.
43. CDG PROVIDES TEMPLATES FOR ALL CORE-DRILLED DIVIDER WALLS SUPPLIED BY CDG. GC TO LOCATE TEMPLATE LOCATION PER DIMENSIONS SHOWN ON CORE DRILL PLAN.
44. GC TO REFER TO INSTALLATION PAGES INCLUDED IN FINAL DRAWING SET FOR CORRECT INSTALLATION OF CORE-DRILLED METALWORK.
45. GC IS RESPONSIBLE TO INSURE APPROPRIATE INSTALLATION OF METALWORK AS REQUIRED FOR TABLE TOPS DESIGNATED AS ADA COMPLIANT.
46. TEMPLATES FOR ANY INSET DECOR CAN BE PROVIDED UPON REQUEST BY THE GC. UNISTRUT IS NOT PROVIDED FOR CEILING DECOR ELEMENTS. GC MUST COORDINATE INSTALLATION OF ALL CEILING DECOR TO MEET LOCAL CODE REQUIREMENTS.

LAMINATE PANELING PROVIDED BY CDG

47. GC MUST INSTALL LAMINATE PANELING PER INSTALLATION INSTRUCTIONS INCLUDED IN DRAWING SET. WARRANTY IS VOID IF GC DOES NOT INSTALL PER THESE INSTRUCTIONS
48. LAMINATE PANELING CANNOT BE INSTALLED OVER DRYWALL. GC MUST PREPARE WALL WHERE PANELING IS TO BE APPLIED WITH PLYWOOD SUBSTRATE TO PROVIDE SECURE MOUNTING SUBSTRATE FOR MOLDING

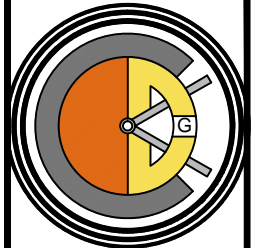
INSTALLATION. CDG WILL NOT WARRANTY ANY PANELING NOT INSTALLED ON PLYWOOD SUBSTRATE

49. CDG DOES NOT PROVIDE ADHESIVE FOR PANELING INSTALLATION. GC TO SUPPLY
50. CDG RECOMMENDS THE USE OF TITEBOND ADVANCED POLYMER PANEL ADHESIVE. GC TO FOLLOW MANUFACTURERS INSTALLATION INSTRUCTIONS.
51. CDG WILL PROVIDE A PANELING TAKEOFF TO DEMONSTRATE TO GC HOW CDG CAME UP WITH COUNT. A 20% OVERAGE IS INCLUDED. GC IS TO VERIFY QUANTITY AND NOTIFY CDG IMMEDIATELY OF DISCREPANCIES PRIOR TO STARTING WORK

ABBREVIATIONS

ADJ = ADJACENT
 AFF = ABOVE FINISH FLOOR
 ARCH = ARCHITECT
 BD = BOARD
 BLDG = BUILDING
 BO = BOTTOM OF
 CDG = CASABLANCA DESIGN GROUP
 CL = CENTERLINE
 CLG = CEILING
 COL = COLUMN
 CONT = CONTINUOUS
 DIA = DIAMETER
 DTL = DETAIL
 DWG = DRAWING
 ELEC = ELECTRICITY
 EQ = EQUAL
 EXIST = EXISTING
 FIN = FINISH
 FLR = FLOOR
 FRP = FIBERGLASS REINFORCED PANEL
 GC = GENERAL CONTRACTOR
 GYP = GYPSUM
 HGT = HEIGHT
 ID = INSIDE DIAMETER
 JB = JUNCTION BOX

LAM = LAMINATE
 MAX = MAXIMUM
 MIN = MINIMUM
 MTG = MOUNTING
 MTL = METAL
 NIC = NOT IN CONTRACT
 NTS = NOT TO SCALE
 OAH = OVERALL HEIGHT
 OC = ON CENTER
 OD = OUTSIDE DIAMETER
 OPP = OPPOSITE
 PLYWD = PLYWOOD
 PT = PAINT
 RAD = RADIUS
 REQD = REQUIRED
 RO = ROUGH OPENING
 SIM = SIMILAR
 STD = STANDARD
 SUSP = SUSPENDED
 TO = TOP OF
 TYP = TYPICAL
 UNO = UNLESS NOTED OTHERWISE
 VIF = VERIFY IN FIELD
 W/ = WITH
 W/O = WITHOUT



**CASABLANCA
 DESIGN GROUP**
P 770.423.9575
F 770.423.9402

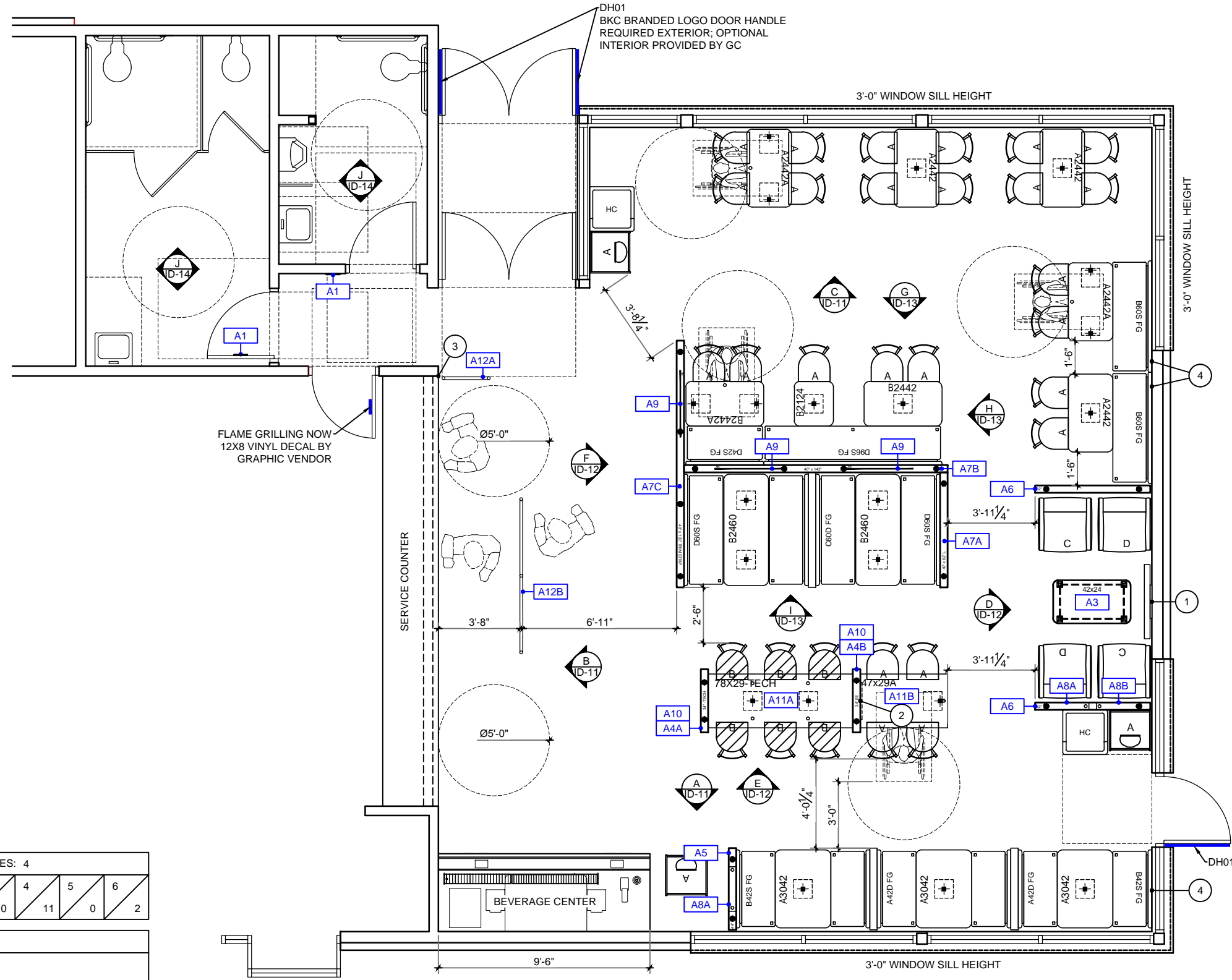
ISSUE / REVISION / DESCRIPTION

DATE

Burger King Restaurant
 DETROIT, MI 160017: BK#6796:
 20/20 LO2 IMPROVED (BK CUSTOM RED)
 19901 VAN DYKE ROAD
 EHW

SHEET TITLE
GENERAL NOTES

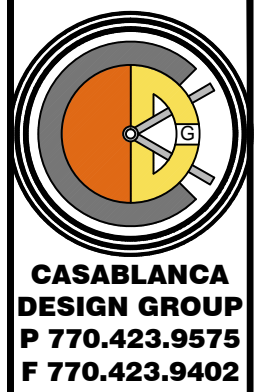
SHEET
ID-02



SEATING CAPACITY	68	REQUIRED ADA TABLES: 4					
SEAT TO TABLE RATIO	2.8	1	2	3	4	5	6
TABLE TOP BREAKDOWN	24	10	1	0	11	0	2

- KEY NOTES**
- 1 ADA REQUIRED TV & HARDWARE BY OWNER
 - 2 ADA REQUIRED OUTLET
 - 3 GC TO ALIGN QUEUE RAIL WITH INSIDE OF KITCHEN WALL
 - 4 GC TO PROVIDE EXTRA WOOD BLOCKING IN WALL TO MOUNT BOOTH BACKPAD & SEAT FRAME

1 FLOOR PLAN
SCALE: 3/16" = 1'-0"

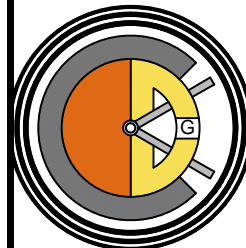


DATE	ISSUE / REVISION / DESCRIPTION

Burger King Restaurant
DETROIT, MI 160017: BK#6796:
20/20 LO2 IMPROVED (BK CUSTOM RED)
19901 VAN DYKE ROAD
EHW

SHEET TITLE
FLOOR PLAN

SHEET
ID-03



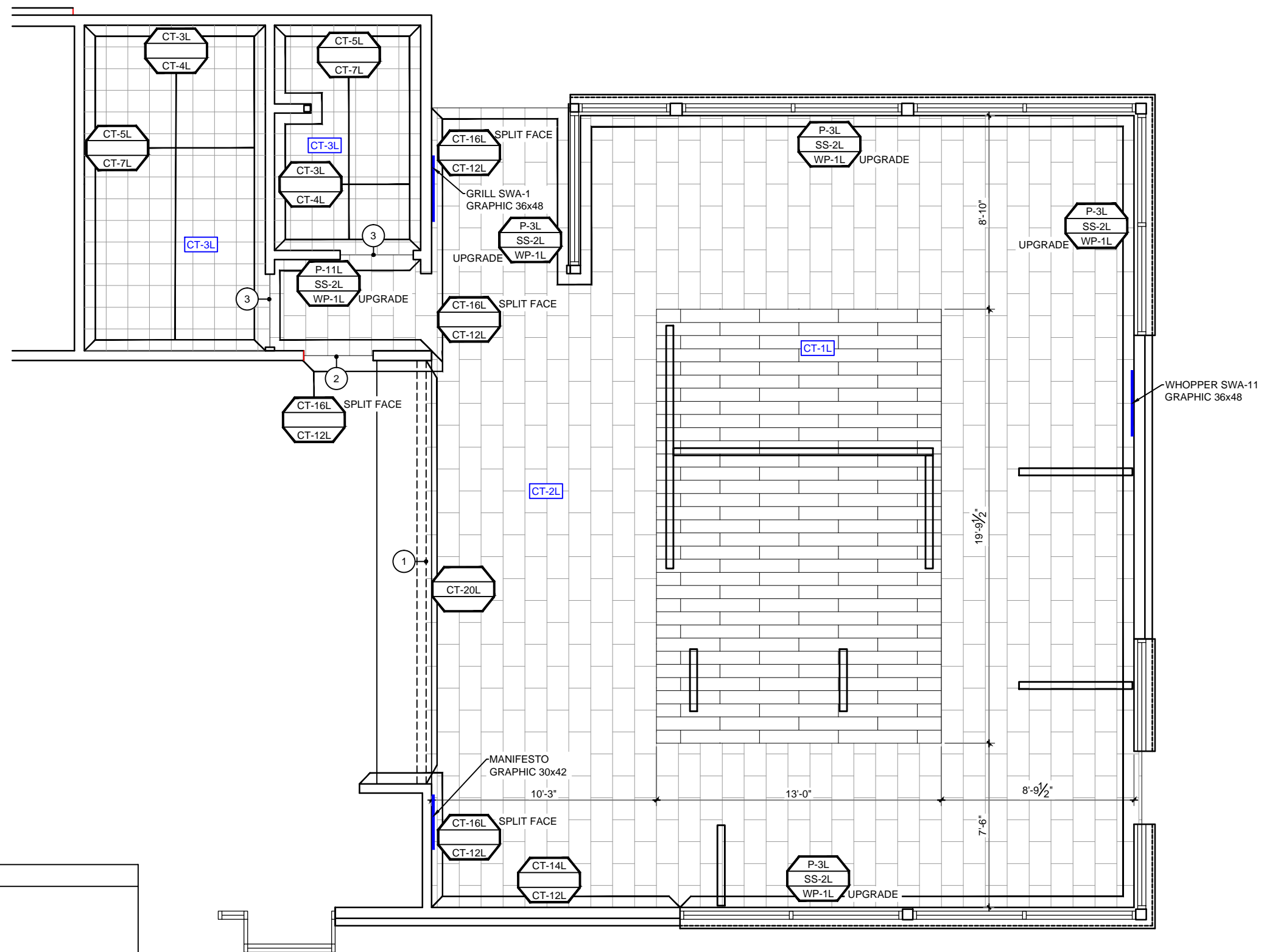
**CASABLANCA
DESIGN GROUP**
P 770.423.9575
F 770.423.9402

ISSUE / REVISION / DESCRIPTION
DATE

Burger King Restaurant
DETROIT, MI 160017: BK#6796:
20/20 LO2 IMPROVED (BK CUSTOM RED)
19901 VAN DYKE ROAD
EHW

SHEET TITLE
FINISH PLAN

SHEET
ID-04



GRAPHIC / SIGNAGE VENDERS

MOSS / RETAIL & ENVIRONMENTS
2643 WEST CHICAGO AVE.
CHICAGO, IL 60622-4519

ROB LORTS - 773.435.7600 EXT. 655
rlorts@mossinc.com
DJ SCANDIFF - 773.435.7600 EXT. 617
djscandiff@mossinc.com

VISUAL GRAPHIC SYSTEMS, INC.
300 WASHINGTON AVE
CARLSTADT, NJ 07072

GREG MOROZ - 330.268.7587
burgerking@vgs-inc.com
Fax: 201.528.0890
Phone: 1.800.203.0301
www.vgsonline.com
(NO VERBAL PHONE ORDER ACCEPTED)

FLOOR FINISH KEY

SYMBOL	TAG
	CT-2L FIELD TILE
	CT-1L ACCENT TILE
	CT-3L REST ROOM TILE

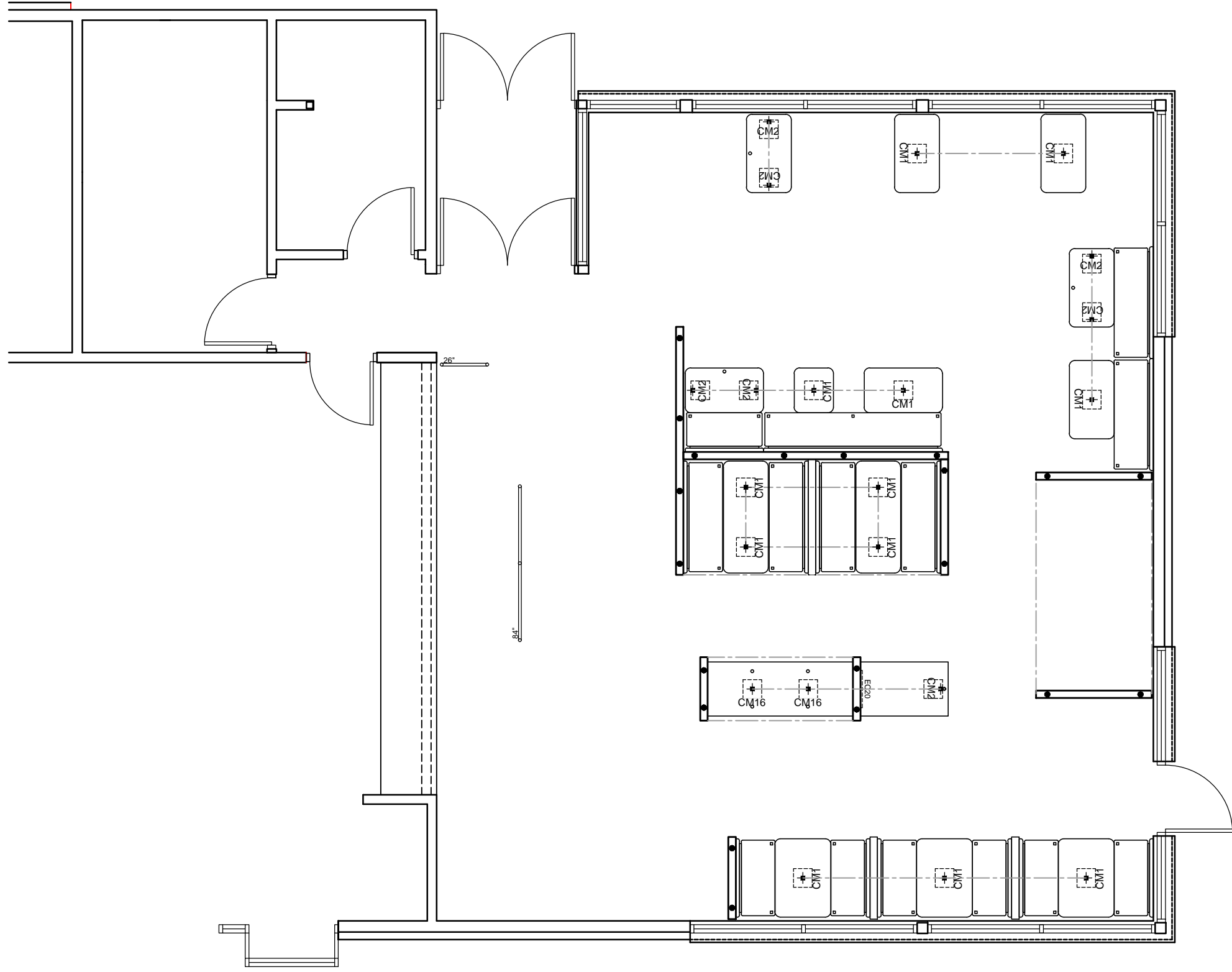
KEY NOTES

- ① TILE TO CONTINUE TO KNEE WALL
- ② TRANSITION TO KITCHEN TILE HERE
- ③ TRANSITION TO RESTROOM TILE HERE

GENERAL NOTES

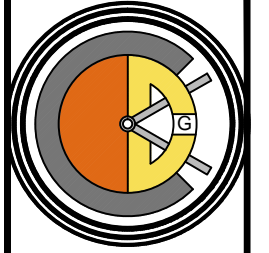
- 1. CT-1L & CT-2L PATTERNS ARE RUNNING BOND. TILES OVERLAP BY NO MORE THAN 33%.
- 2. GC TO INSTALL CUSTOME GROUT'S CUSTOM COLORED CAULK TO MATCH TILE, SANDED FINISH, AT ALL INSIDE AND OUTSIDE CORNERS, AROUND WINDOWS/DOORS AND TO TRANSITION BETWEEN FINISHES.
- 3. GC TO INSTALL SCHULTER COVE BASE AND CORNER TILE TRANSITIONS PER OWNER'S REQUEST - GC TO COORDINATE WITH OWNER AND REFER TO DETAILS.

1 FINISH PLAN
SCALE: 3/16" = 1'-0"



1 CORE-DRILL PLAN
SCALE: 3/16" = 1'-0"

NOTE: FOR CORE-DRILL COUNTS ONLY, DIMENSIONS ARE FORTHCOMING



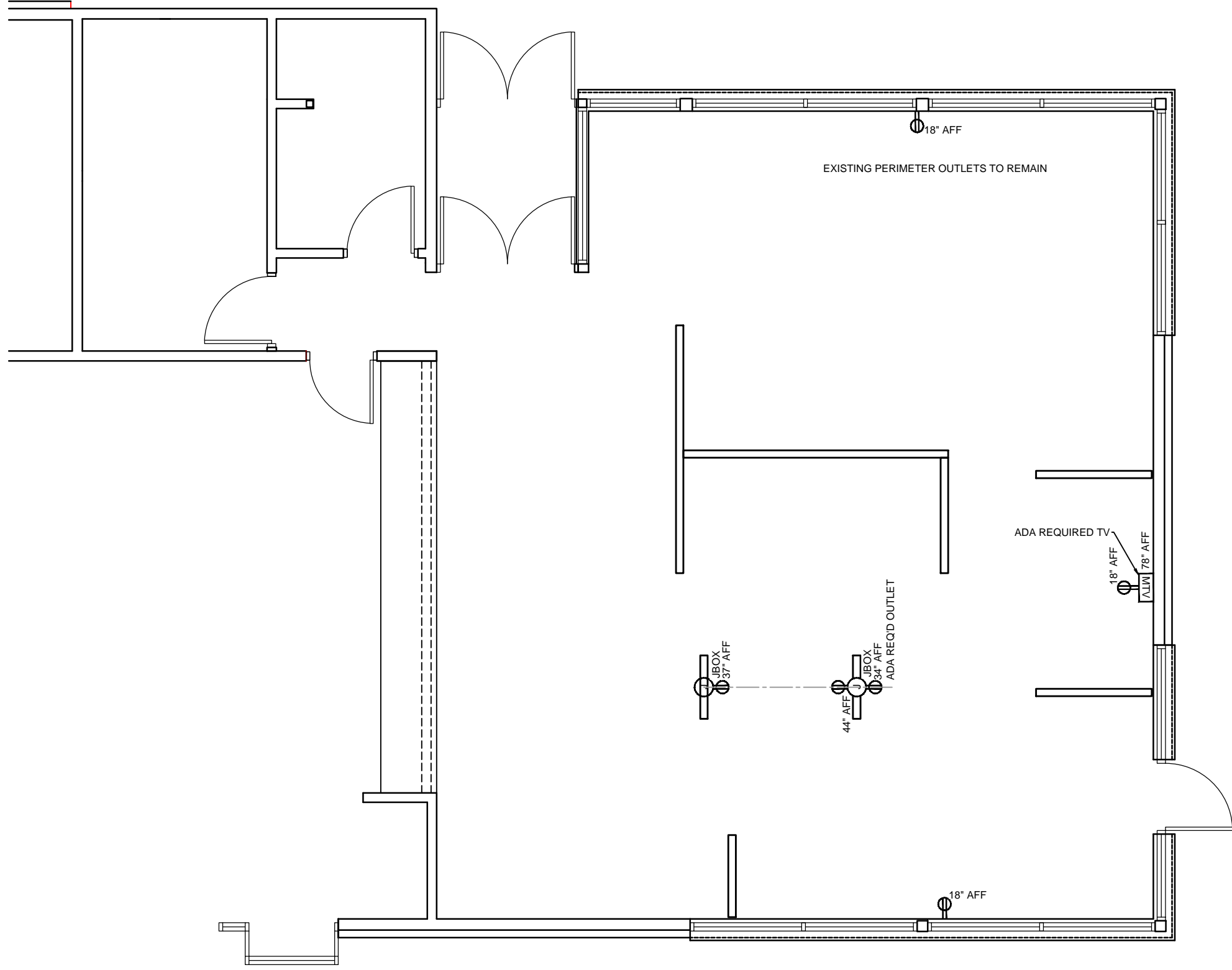
**CASABLANCA
DESIGN GROUP**
P 770.423.9575
F 770.423.9402

DATE	ISSUE / REVISION / DESCRIPTION

Burger King Restaurant
DETROIT, MI 160017: BK#6796:
20/20 LO2 IMPROVED (BK CUSTOM RED)
19901 VAN DYKE ROAD
EHW

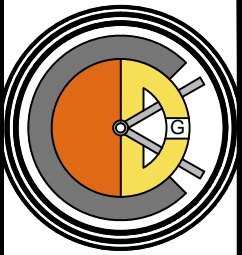
SHEET TITLE
CORE-DRILL
PLAN

SHEET
ID-06



1 ELECTRICAL PLAN
SCALE: 3/16" = 1'-0"

NOTE: FOR ELECTRICAL COUNTS ONLY, DIMENSIONS ARE FORTHCOMING



**CASABLANCA
DESIGN GROUP**
P 770.423.9575
F 770.423.9402

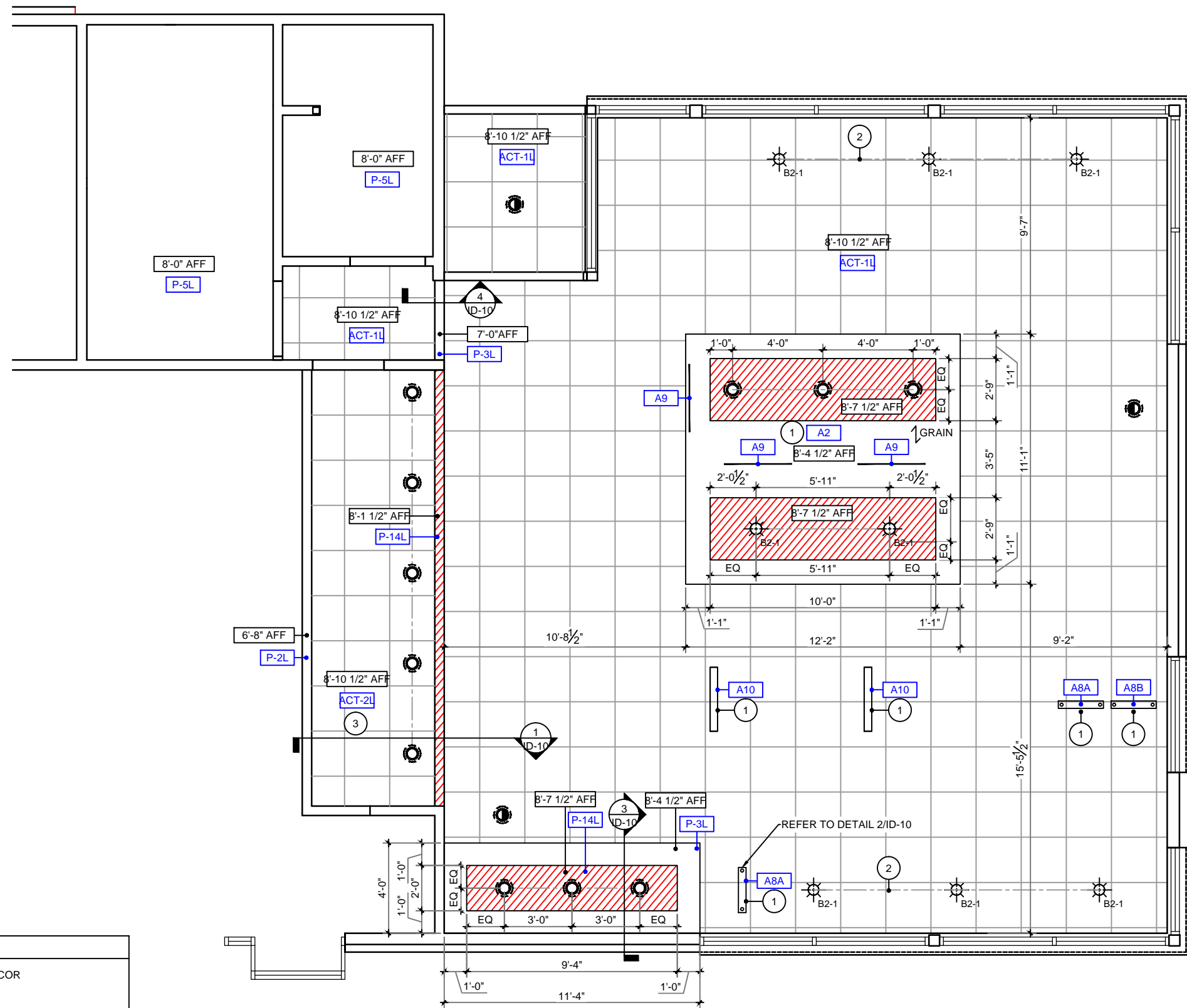
DATE	ISSUE / REVISION / DESCRIPTION

Burger King Restaurant
DETROIT, MI 160017: BK#6796:
20/20 LO2 IMPROVED (BK CUSTOM RED)
19901 VAN DYKE ROAD
EHW

SHEET TITLE
**ELECTRICAL
PLAN**

SHEET
ID-08

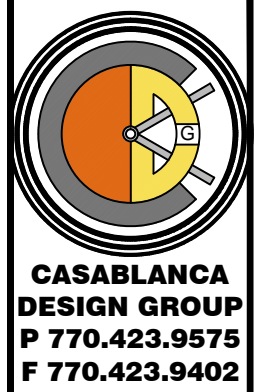
2.9.2016 Elizabeth Wooten C:\Vault Workspace\Project Files1 - Projects\Burger King\ID-Detroit, MI (19901 Van Dyke Road) BK#6796\Burger King\ID-Detroit, MI #160017\Design\Burger King\ID-Detroit, MI #160017 Improved BK Custom



KEY NOTES	
1	GC TO PROVIDE EXTRA WOOD BLOCKING IN CEILING FOR DECOR
2	CENTER PENDANTS OVER TABLE TOPS UNO
3	GC TO ENSURE CEILING TILE MEETS LOCAL HEALTH CODE REQUIREMENTS.

GENERAL NOTES	
1.	GC TO COORDINATE HVAC DIFFUSERS AND GENERAL LIGHTING ON ARCHITECTURAL DWGS WITH LIGHTING PLAN SHOWN. GC TO NOTIFY CDG IF PENDANT / CLG DECOR LOCATIONS INTERFERE WITH INSTALLATION.

1 REFLECTED CEILING PLAN
SCALE: 3/16" = 1'-0"



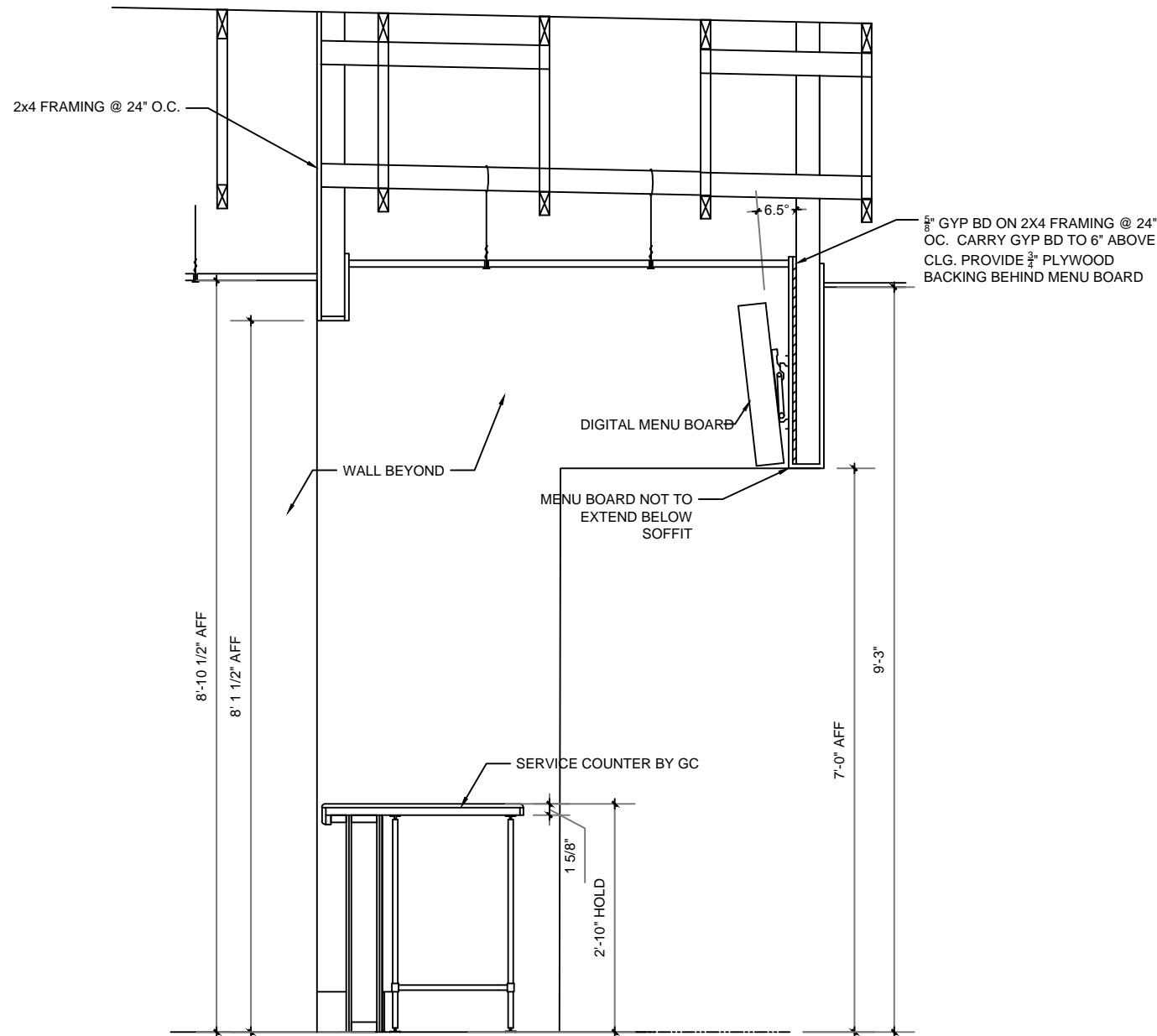
DATE	ISSUE / REVISION / DESCRIPTION

Burger King Restaurant
DETROIT, MI 160017: BK#6796:
20/20 LO2 IMPROVED (BK CUSTOM RED)
19901 VAN DYKE ROAD
EHW

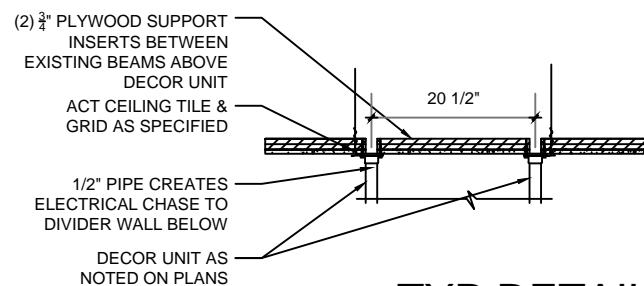
SHEET TITLE
REFLECTED CEILING PLAN

SHEET
ID-09

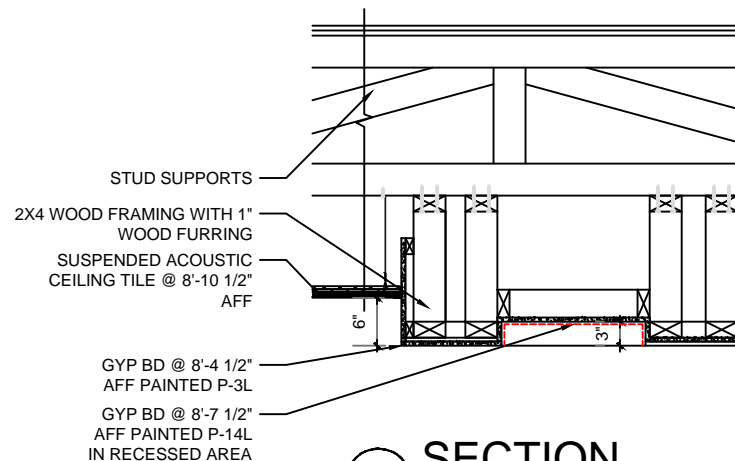
2.9.2016 Elizabeth Wooten C:\Vault Workspace\Project Files\1 - Projects\Burger King\ID\Detroit, MI (19901 Van Dyke Road) BK#6796\Detroit, MI #160017\Design\Detroit, MI #160017 Improved BK Custom



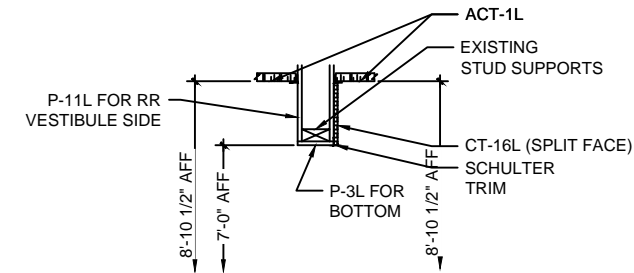
1 SECTION
SCALE: 1/2" = 1'-0"



2 TYP DETAIL
SCALE: 1/2" = 1'-0"



3 SECTION
SCALE: 1/2" = 1'-0"



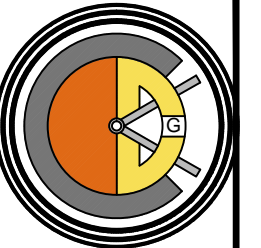
4 SECTION
SCALE: 1/2" = 1'-0"

CEILING FINISH SCHEDULE ALL ITEMS SUPPLIED & INSTALLED BY GC, UNO

SYMBOL	DESCRIPTIONS/ PART #	HVAC, DIFFUSERS, & SPEAKER COVERS	COMMENTS
ACT-1L	24"X24" CEILING TILE, SEE ID-19 FOR SPECIFICATIONS	N/A	MAIN LOBBY & RR VESTIBULE CEILING TILE & GRID
ACT-2L	24"X24" CEILING TILE, SEE ID-19 FOR SPECIFICATIONS	N/A	KITCHEN AREA CEILING TILE & GRID
P-14L	EGGSHELL PAINT, SEE ID-21 FOR SPECIFICATIONS	N/A	ACCENT PAINT AT BULKHEAD OVER SERVICE COUNTER & SOFFIT AT DRINK STATION
P-2L	EGGSHELL PAINT, SEE ID-21 FOR SPECIFICATIONS	N/A	PAINT FINISH FOR MENUBOARD BULKHEAD
P-3L	EGGSHELL PAINT, SEE ID-21 FOR SPECIFICATIONS	N/A	PAINT FINISH FOR SOFFIT OVER DRINK STATION & RR VESTIBULE BULKHEAD
P-5L	SEMI-GLOSS PAINT, SEE ID-21 FOR SPECIFICATIONS	P-5L	PAINT FINISH FOR RESTROOM GYP BD CEILINGS

ELECTRICAL / LIGHTING SCHEDULE ALL ITEMS SUPPLIED & INSTALLED BY GC, UNO

SYMBOL	QTY	CONTACT	DESCRIPTIONS/ PART #	COMMENTS
●	11	LSI INDUSTRIES INC. RON LARIMORE 1-800-436-7800 X-3375	6" RECESSED LIGHT FIXTURE PDL6K LED HO WW 120 SD, 14 WATT, 3000K	LOCATED OVER DRINK STATION & IN SOFFITS
		SECURITY LIGHTING ERIC HILLESLAND 630-636-8493	6" RECESSED LIGHT FIXTURE SLSD8XQL/LB6LEDA30K WH; 14 WATT; 3000K	
		CREE / HERMITAGE WYATT CULVER OR STEVE FRIEDMAN 1-800-264-3383	6" RECESSED LIGHT FIXTURE LRS-10L-30K-120-A-DR W/ RC6-12W-GU24; 11 WATT; 3000K	
●	3	CREE / HERMITAGE WYATT CULVER OR STEVE FRIEDMAN 1-800-264-3383	6" ADJUSTABLE RECESSED WALL WASHER LIGHT FIXTURE E.RINGAT W/ E.T6730WH	LOCATED AT WALL GRAPHICS
●	8	LSI INDUSTRIES INC. RON LARIMORE 1-800-436-7800 X-3375	BESA CIERRO TYPE P4 "RUBY MATTE" (1 PENDANT FIXTURE) 1JT-4124RM-SN-LAMP; GU-24	PENDANT TO BE CENTERED OVER TABLE TOPS WITH BOTTOM OF FIXTURE @ 6'-6" AFF PENDANT INCLUDES: (1) 3", (1) 6", (1) 12", (1) 18" STEM LENGTHS- IF MORE LENGTH IS REQUIRED ADDITIONAL STEM KITS MUST BE PURCHASED
		SECURITY LIGHTING ERIC HILLESLAND 630-636-8493	BESA CIERRO TYPE P4 "RUBY MATTE" (1 PENDANT FIXTURE) 1JT-4124RM-SN-LAMP; GU-24	
		CREE / HERMITAGE WYATT CULVER OR STEVE FRIEDMAN 1-800-264-3383	BESA CIERRO TYPE P4 "RUBY MATTE" (1 PENDANT FIXTURE) 1JT-4124RM-SN-LAMP; GU-24	
●	ALT FOR ABOVE IF OUT OF STOCK	TREND LIGHTING JULIE SCHNEIDEWIND 626-506-6973	BKP-003 W BULB LED; 60W	PENDANT TO BE CENTERED OVER TABLE TOPS WITH BOTTOM OF FIXTURE @ 6'-6" AFF PENDANT INCLUDES: 80" OF HEIGHT
●	6		DUPLEX RECEPTACLE OUTLET	GC TO PROVIDE STAINLESS STEEL COVER PLATE
●	2		JBOX	GC TO HARDWIRE JBOX ABOVE CEILING
MTV	1		78" AFF	CCTV COAXIAL CABLE/ POWER



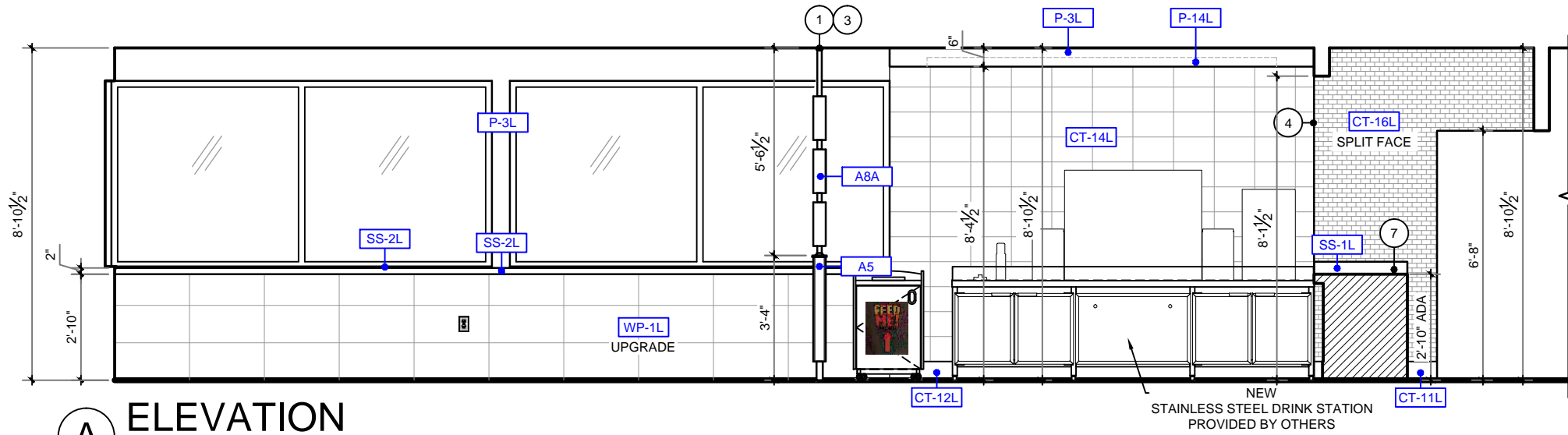
CASABLANCA DESIGN GROUP
P 770.423.9575
F 770.423.9402

ISSUE / REVISION / DESCRIPTION
DATE

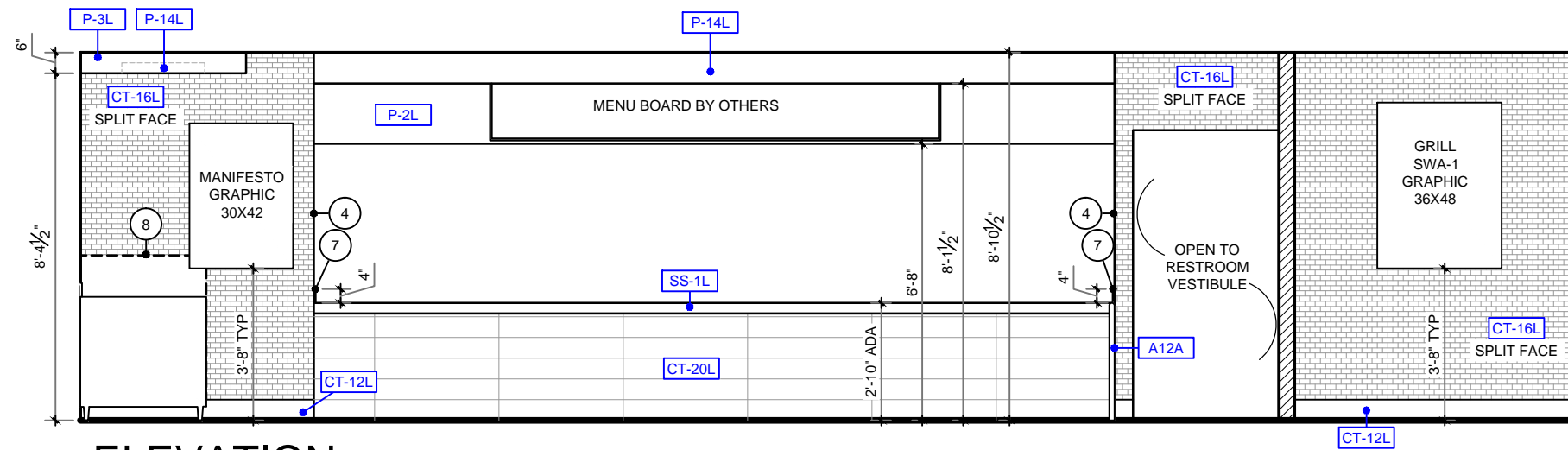
Burger King Restaurant
DETROIT, MI 160017: BK#6796:
20/20 LO2 IMPROVED (BK CUSTOM RED)
19901 VAN DYKE ROAD
EHW

SHEET TITLE
CEILING SCHEDULES & DETAILS

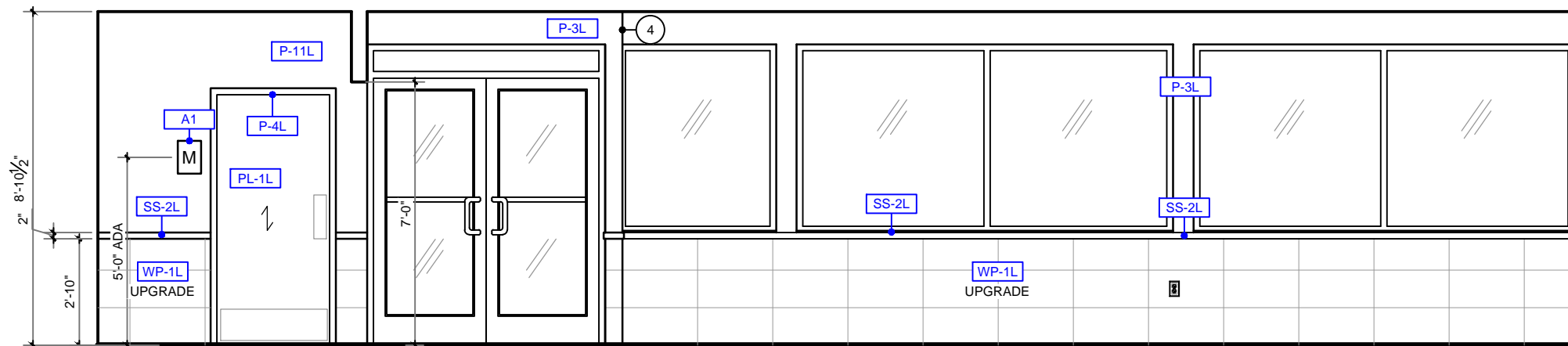
SHEET
ID-10



A ELEVATION
SCALE: 1/4" = 1'-0"



B ELEVATION
SCALE: 1/4" = 1'-0"



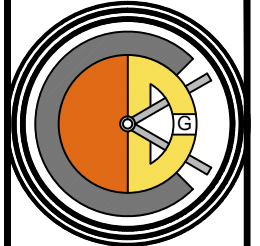
C ELEVATION
SCALE: 1/4" = 1'-0"

KEY NOTES

- 1 GC TO PROVIDE EXTRA WOOD BLOCKING IN CEILING FOR DECOR
- 2 GC TO PROVIDE POWER FOR DECOR FROM CEILING OR ADJACENT WALL
- 3 GC TO TRIM IN FIELD IF REQD
- 4 GC TO WRAP FINISHES BACK
- 5 ADA REQ'D TV & HARDWARE BY OWNER GC TO PROVIDE EXTRA WOOD BLOCKING IN WALL TO MOUNT BACKPAD AND SEAT FRAME
- 6 GC TO PROVIDE SIDE SPLASH; MOUNT FLUSH TO WALL
- 7 GC TO PROVIDE SCHULTER TRANSITION B/T FINISHES, COORDINATE WITH OWNER
- 8 ADA REQ'D OUTLET
- 10 BRANDED WOOD DOOR HANDLES WITH METAL BRACKETS REQUIRED FOR EXTERIOR USE; INTERIOR SIDE OPTIONAL BY GC ; GC TO COORD W/ OWNER

GENERAL NOTES

1. TILE PATTERNS ARE SHOWN ON ELEVATIONS FOR REPRESENTATION OF INSTALLATION PATTERN ONLY; DO NOT SCALE
2. PREFERRED GROUT JOINT WIDTH FOR WALL TILE IS 3/8"
3. CEILING HEIGHTS ARE SHOWN ON ARCHITECTURAL PLANS
4. GRAPHICS ARE CENTERED HORIZONTALLY ON WALLS, UNO



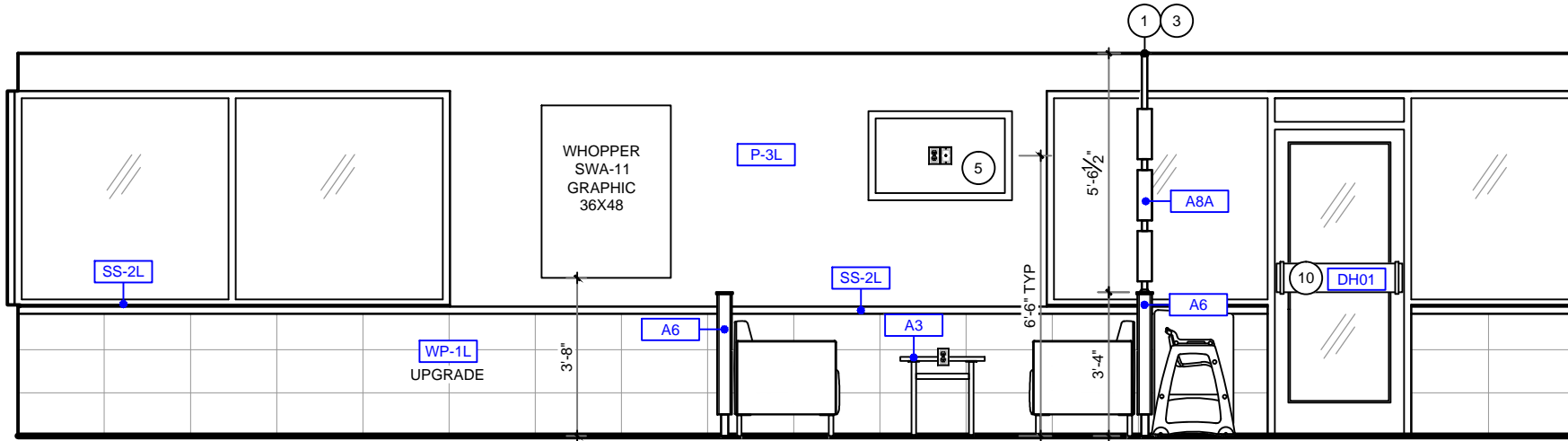
**CASABLANCA
DESIGN GROUP**
P 770.423.9575
F 770.423.9402

DATE	ISSUE / REVISION / DESCRIPTION

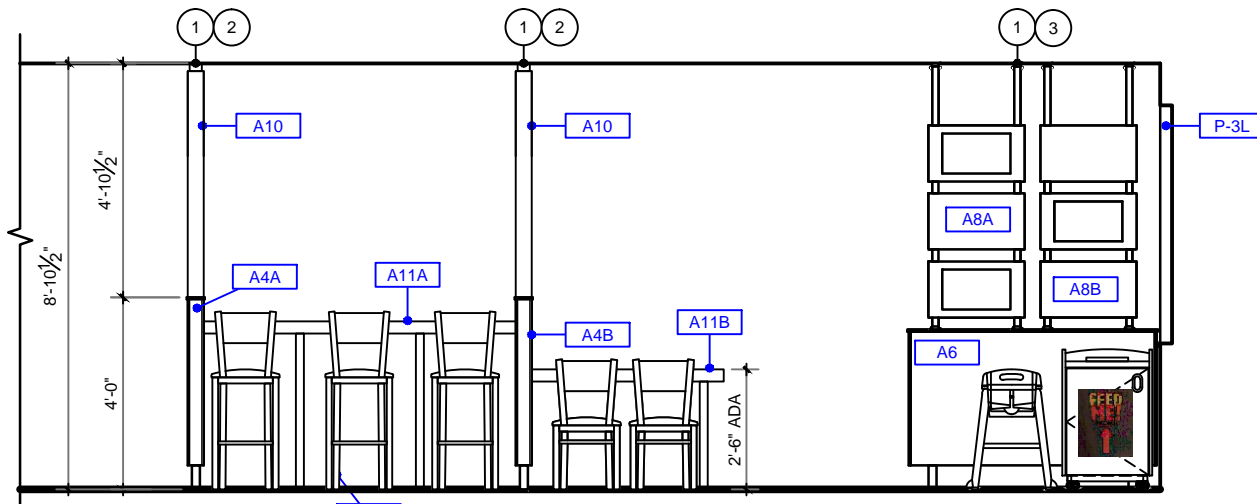
Burger King Restaurant
DETROIT, MI 160017: BK#6796:
20/20 LO2 IMPROVED (BK CUSTOM RED)
19901 VAN DYKE ROAD
EHW

SHEET TITLE
ELEVATIONS

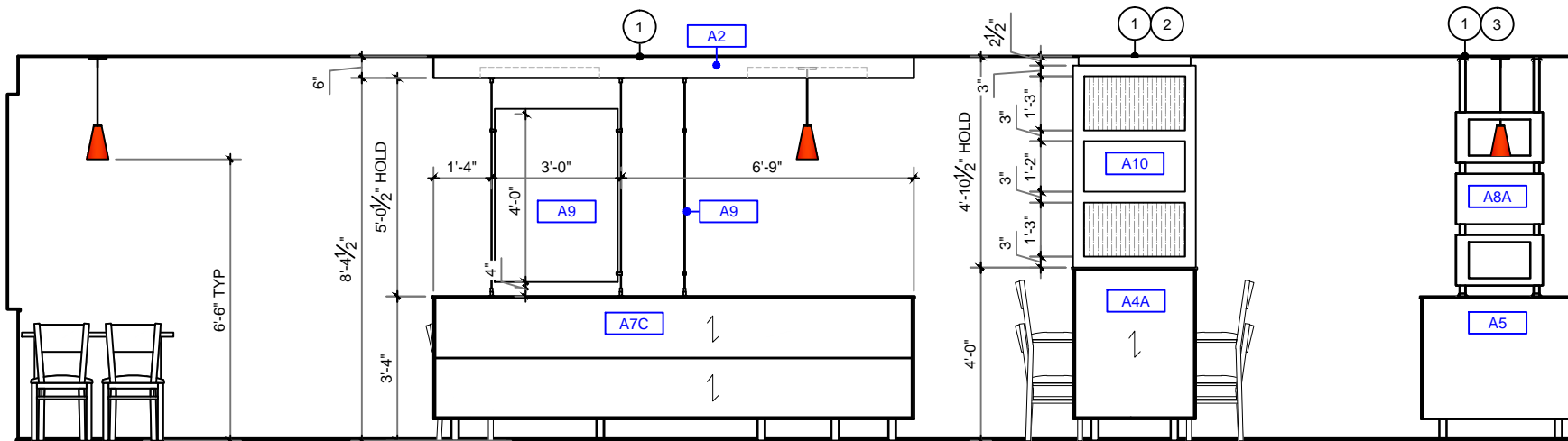
SHEET
ID-11



D ELEVATION
SCALE: 1/4" = 1'-0"



E ELEVATION
SCALE: 1/4" = 1'-0"



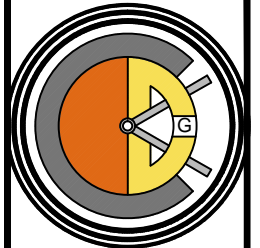
F ELEVATION
SCALE: 1/4" = 1'-0"

KEY NOTES

- 1 GC TO PROVIDE EXTRA WOOD BLOCKING IN CEILING FOR DECOR
- 2 GC TO PROVIDE POWER FOR DECOR FROM CEILING OR ADJACENT WALL
- 3 GC TO TRIM IN FIELD IF REQD
- 4 GC TO WRAP FINISHES BACK
- 5 ADA REQ'D TV & HARDWARE BY OWNER GC TO PROVIDE EXTRA WOOD BLOCKING IN WALL TO MOUNT BACKPAD AND SEAT FRAME
- 6 GC TO PROVIDE SIDE SPLASH; MOUNT FLUSH TO WALL
- 7 GC TO PROVIDE SCHULTER TRANSITION B/T FINISHES, COORDINATE WITH OWNER
- 8 ADA REQ'D OUTLET
- 10 BRANDED WOOD DOOR HANDLES WITH METAL BRACKETS REQUIRED FOR EXTERIOR USE; INTERIOR SIDE OPTIONAL BY GC ; GC TO COORD W/ OWNER

GENERAL NOTES

1. TILE PATTERNS ARE SHOWN ON ELEVATIONS FOR REPRESENTATION OF INSTALLATION PATTERN ONLY; DO NOT SCALE
2. PREFERRED GROUT JOINT WIDTH FOR WALL TILE IS 3/8"
3. CEILING HEIGHTS ARE SHOWN ON ARCHITECTURAL PLANS
4. GRAPHICS ARE CENTERED HORIZONTALLY ON WALLS, UNO



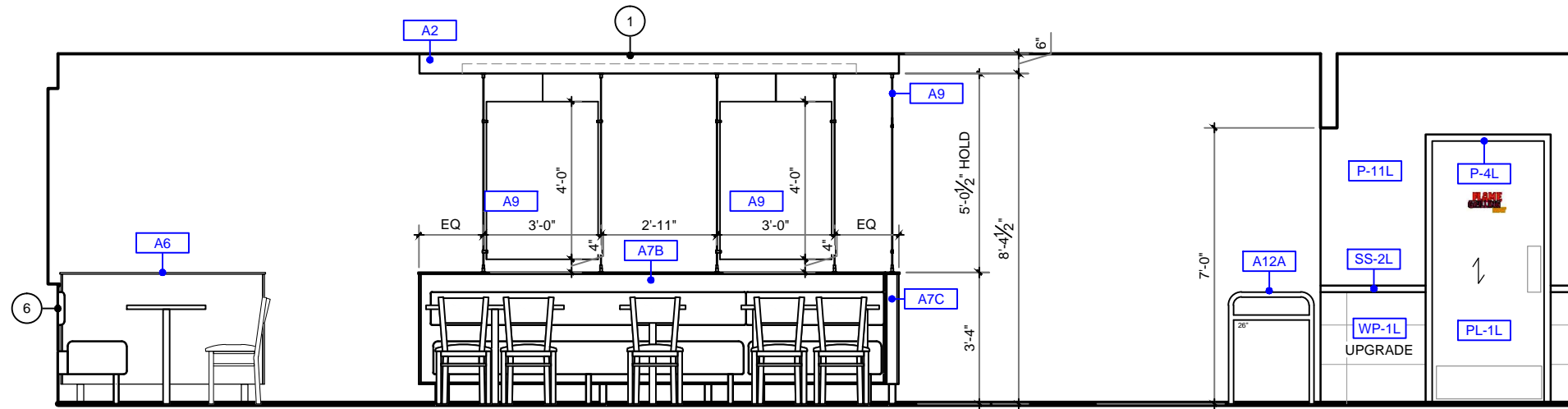
**CASABLANCA
DESIGN GROUP**
P 770.423.9575
F 770.423.9402

DATE	ISSUE / REVISION / DESCRIPTION

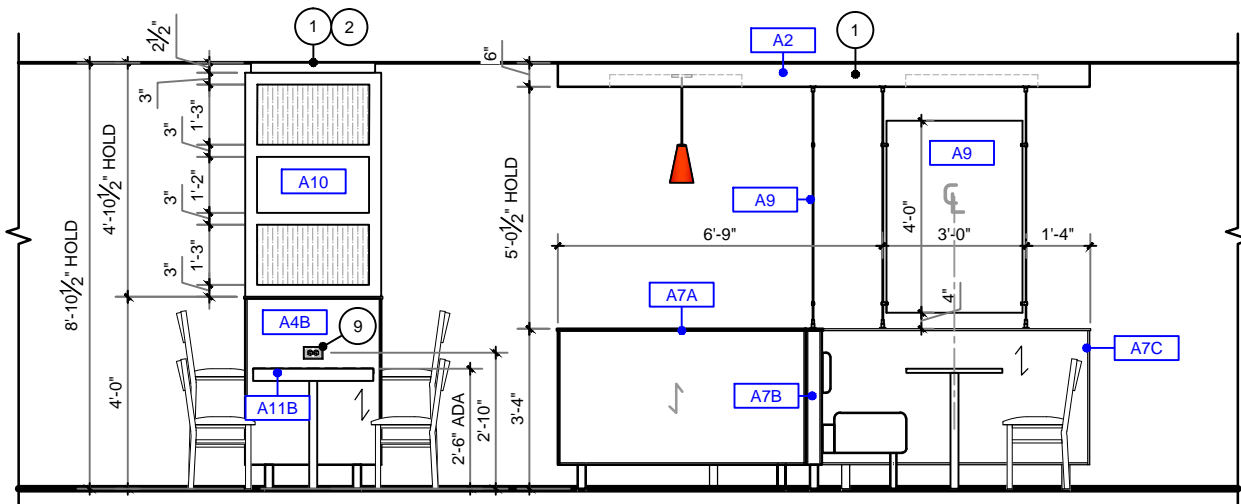
Burger King Restaurant
DETROIT, MI 160017: BK#6796:
20/20 LO2 IMPROVED (BK CUSTOM RED)
19901 VAN DYKE ROAD
EHW

SHEET TITLE
ELEVATIONS

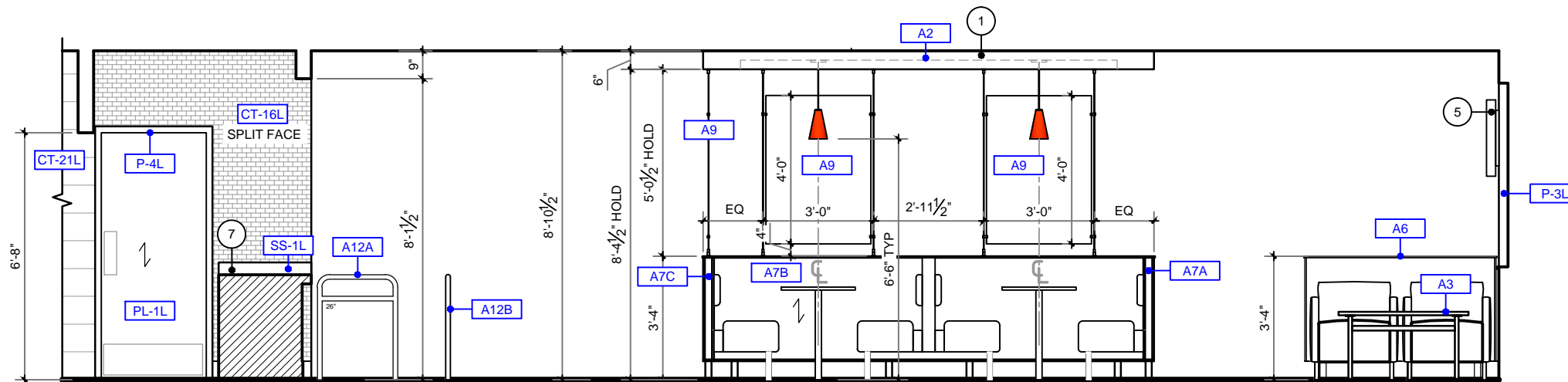
SHEET
ID-12



G ELEVATION
SCALE: 1/4" = 1'-0"



H ELEVATION
SCALE: 1/4" = 1'-0"



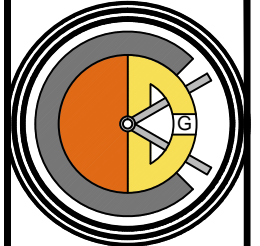
I ELEVATION
SCALE: 1/4" = 1'-0"

KEY NOTES

- 1 GC TO PROVIDE EXTRA WOOD BLOCKING IN CEILING FOR DECOR
- 2 GC TO PROVIDE POWER FOR DECOR FROM CEILING OR ADJACENT WALL
- 3 GC TO TRIM IN FIELD IF REQD
- 4 GC TO WRAP FINISHES BACK
- 5 ADA REQ'D TV & HARDWARE BY OWNER GC TO PROVIDE EXTRA WOOD BLOCKING IN WALL TO MOUNT BACKPAD AND SEAT FRAME
- 6 GC TO PROVIDE SIDE SPLASH; MOUNT FLUSH TO WALL
- 7 GC TO PROVIDE SCHULTER TRANSITION B/T FINISHES, COORDINATE WITH OWNER
- 9 ADA REQ'D OUTLET
- 10 BRANDED WOOD DOOR HANDLES WITH METAL BRACKETS REQUIRED FOR EXTERIOR USE; INTERIOR SIDE OPTIONAL BY GC ; GC TO COORD W/ OWNER

GENERAL NOTES

1. TILE PATTERNS ARE SHOWN ON ELEVATIONS FOR REPRESENTATION OF INSTALLATION PATTERN ONLY; DO NOT SCALE
2. PREFERRED GROUT JOINT WIDTH FOR WALL TILE IS 3/8"
3. CEILING HEIGHTS ARE SHOWN ON ARCHITECTURAL PLANS
4. GRAPHICS ARE CENTERED HORIZONTALLY ON WALLS, UNO



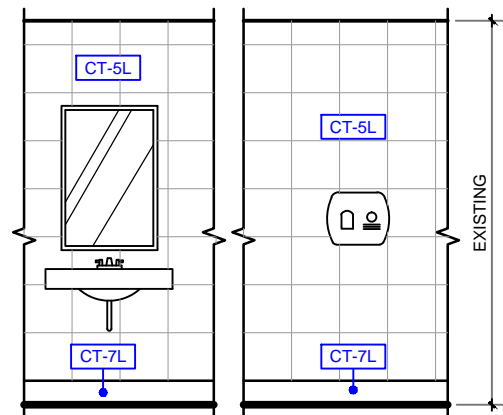
**CASABLANCA
DESIGN GROUP**
P 770.423.9575
F 770.423.9402

DATE	ISSUE / REVISION / DESCRIPTION

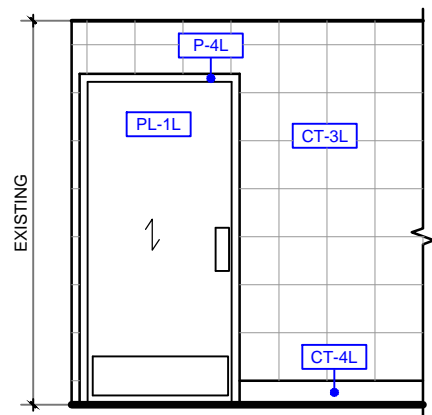
Burger King Restaurant
DETROIT, MI 160017: BK#6796:
20/20 LO2 IMPROVED (BK CUSTOM RED)
19901 VAN DYKE ROAD
EHW

SHEET TITLE
ELEVATIONS

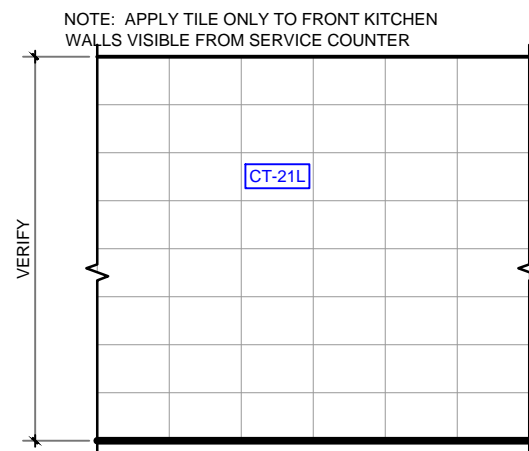
SHEET
ID-13



J TYP. ELEVATION
SCALE: 1/4" = 1'-0"



J TYP. ELEVATION
SCALE: 1/4" = 1'-0"



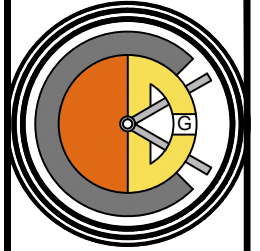
K TYP. FRONT KITCHEN ELEV
SCALE: 1/4" = 1'-0"

KEY NOTES

- 1 GC TO PROVIDE EXTRA WOOD BLOCKING IN CEILING FOR DECOR
- 2 GC TO PROVIDE POWER FOR DECOR FROM CEILING OR ADJACENT WALL
- 3 GC TO TRIM IN FIELD IF REQD
- 4 GC TO WRAP FINISHES BACK
- 5 ADA REQ'D TV & HARDWARE BY OWNER GC TO PROVIDE EXTRA WOOD BLOCKING IN WALL TO MOUNT BACKPAD AND SEAT FRAME
- 6 GC TO PROVIDE SIDE SPLASH; MOUNT FLUSH TO WALL
- 7 GC TO PROVIDE SCHULTER TRANSITION B/T FINISHES, COORDINATE WITH OWNER
- 8 ADA REQ'D OUTLET
- 10 BRANDED WOOD DOOR HANDLES WITH METAL BRACKETS REQUIRED FOR EXTERIOR USE; INTERIOR SIDE OPTIONAL BY GC ; GC TO COORD W/ OWNER

GENERAL NOTES

1. TILE PATTERNS ARE SHOWN ON ELEVATIONS FOR REPRESENTATION OF INSTALLATION PATTERN ONLY; DO NOT SCALE
2. PREFERRED GROUT JOINT WIDTH FOR WALL TILE IS 3/8"
3. CEILING HEIGHTS ARE SHOWN ON ARCHITECTURAL PLANS
4. GRAPHICS ARE CENTERED HORIZONTALLY ON WALLS, UNO



**CASABLANCA
DESIGN GROUP**
P 770.423.9575
F 770.423.9402

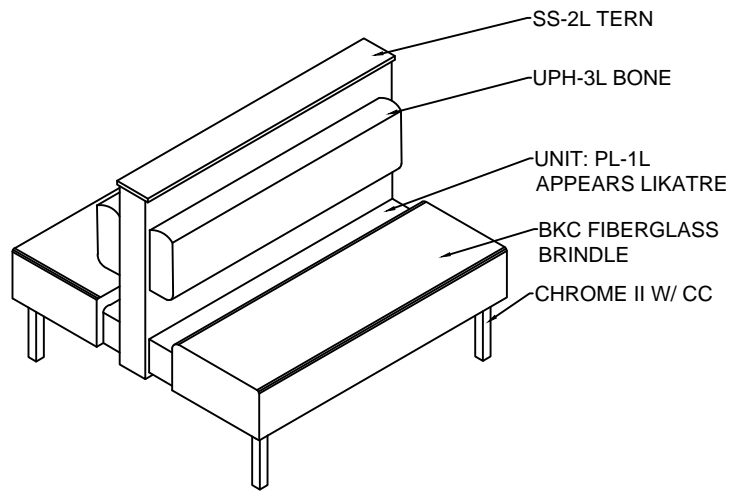
DATE	ISSUE / REVISION / DESCRIPTION

Burger King Restaurant
DETROIT, MI 160017: BK#6796:
20/20 LO2 IMPROVED (BK CUSTOM RED)
19901 VAN DYKE ROAD
EHW

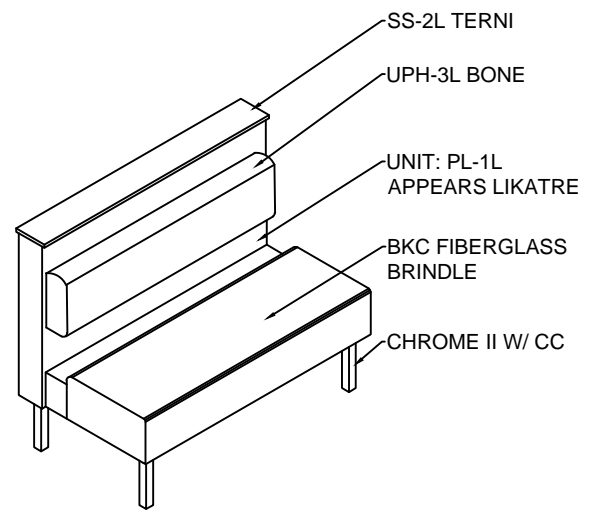
SHEET TITLE
ELEVATIONS

SHEET
ID-14

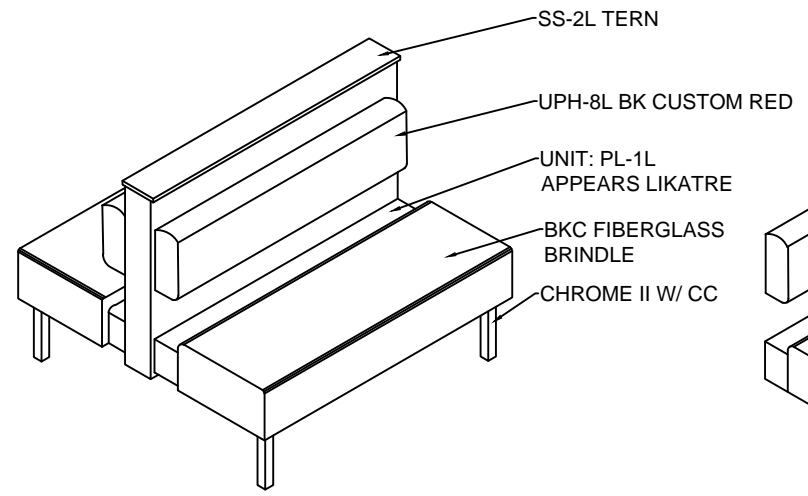
2.9.2016 Elizabeth Wooten C:\Vault\Workspace\Project Files1 - Projects\Burger King\ID\Detroit, MI (19901 Van Dyke Road) BK#6796\Detroit, MI #160017\Design\Detroit, MI #160017 Improved BK Custom



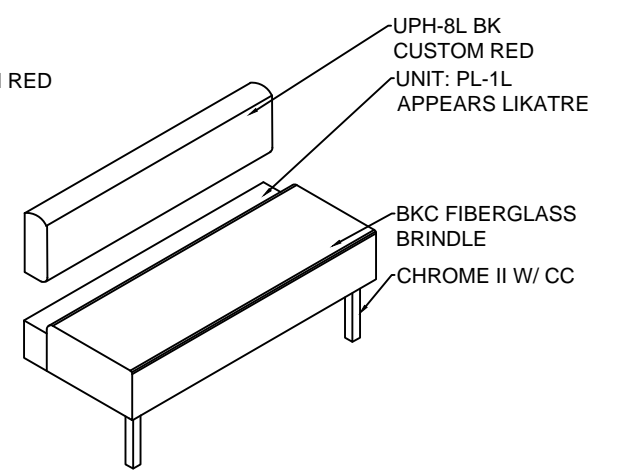
1 STANDARD DOUBLE BOOTH "A"



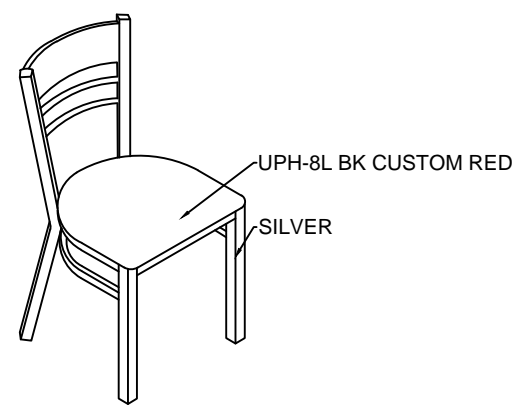
2 STANDARD SINGLE BOOTH "B"



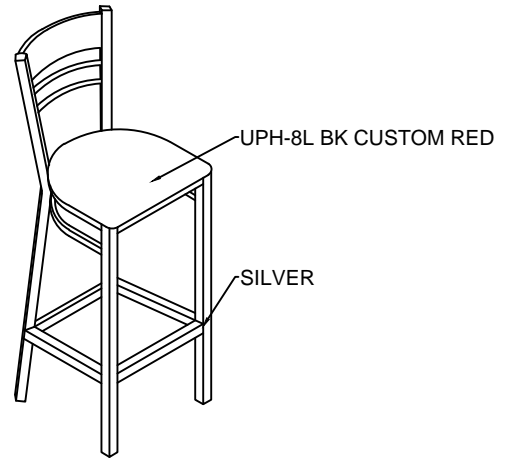
3 STANDARD DOUBLE BOOTH "C"



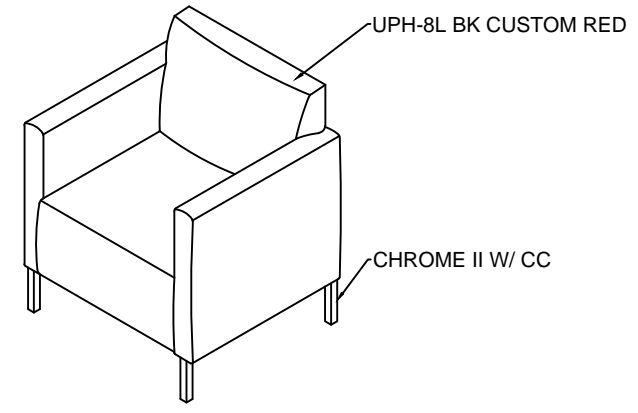
4 SETTEE WALL MOUNT BOOTH "D"



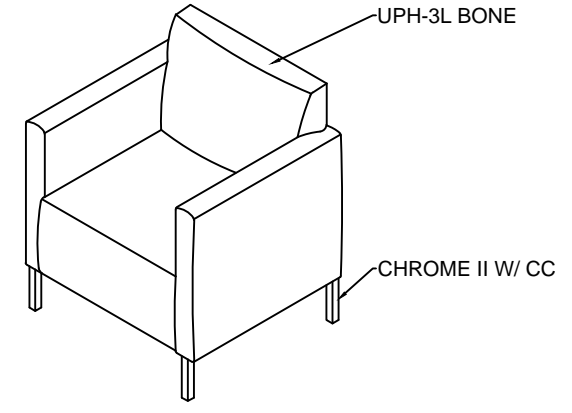
5 WOOD & STEEL CHAIR "A"



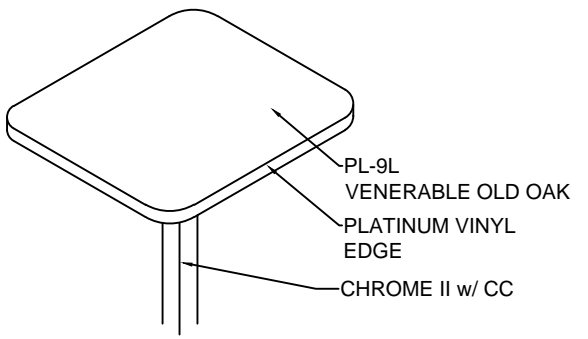
6 WOOD & STEEL CHAIR "B"



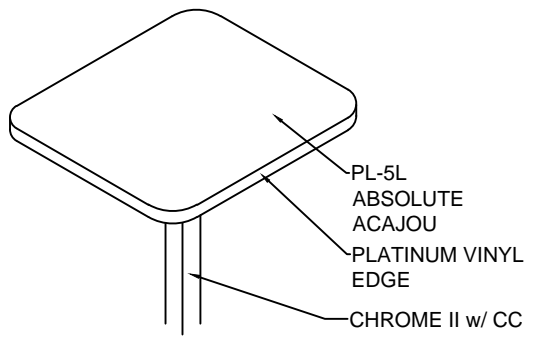
7 CDG FIT LOUNGE CHAIR "C"



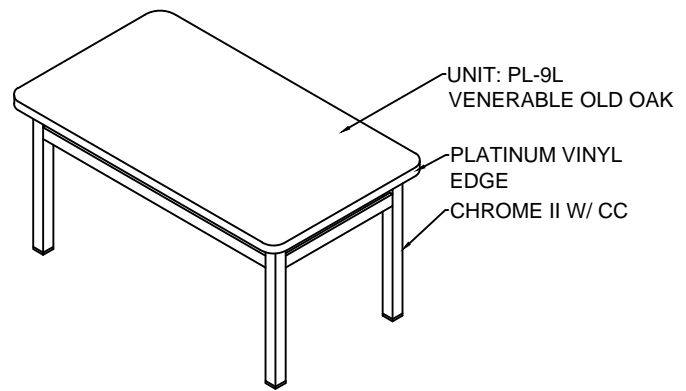
8 CDG FIT LOUNGE CHAIR "D"



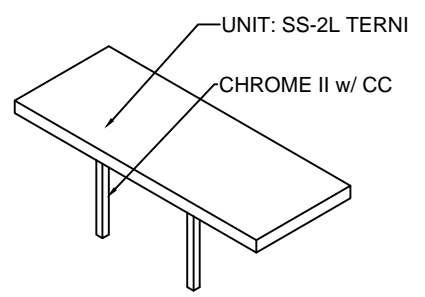
9 TABLE TOP "A"



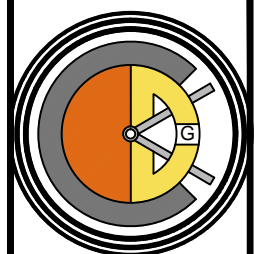
10 TABLE TOP "B"



11 LOUNGE TABLE



12 COMMUNITY TABLE



**CASABLANCA
DESIGN GROUP**
P 770.423.9575
F 770.423.9402

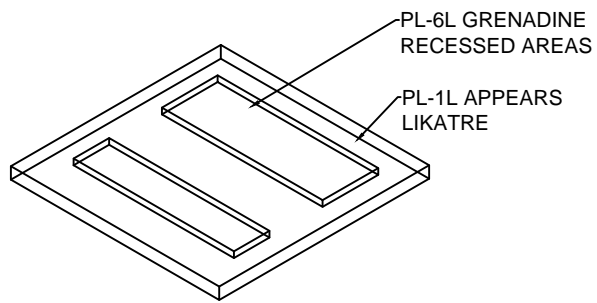
ISSUE / REVISION / DESCRIPTION
DATE

Burger King Restaurant
DETROIT, MI 160017: BK#6796:
20/20 LO2 IMPROVED (BK CUSTOM RED)
19901 VAN DYKE ROAD
EHW

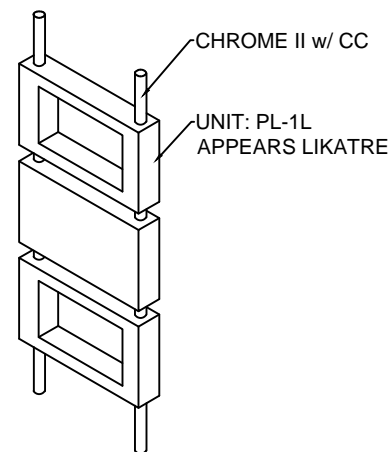
SHEET TITLE
FURNITURE
DETAILS

SHEET
ID-15

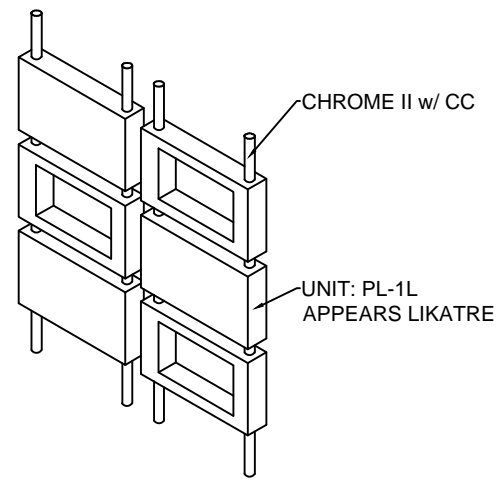
2.9.2016 Elizabeth Wooten C:\Vault\Workspace\Project Files1 - Projects\Burger King\ID\Detroit, MI (19901 Van Dyke Road) BK#6796\Detroit, MI #160017\Design\Detroit, MI #160017 Improved BK Custom



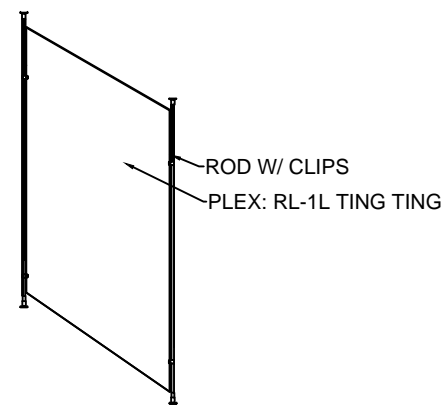
1 CEILING SOFFIT BOX



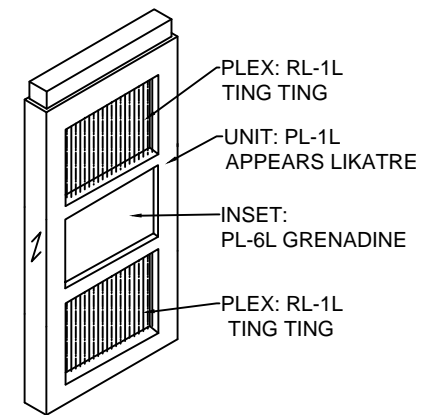
2 SINGLE DIVIDER SCREEN



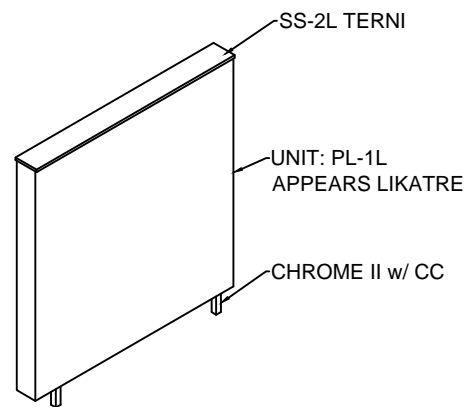
3 DOUBLE DIVIDER SCREEN



4 DOUBLE DIVIDER SCREEN



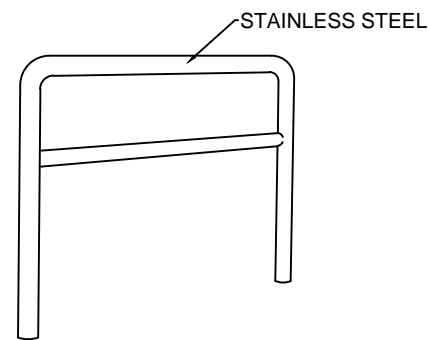
5 COMMUNAL TABLE SCREEN



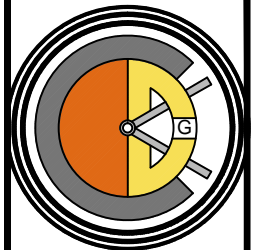
6 DIVIDER WALL



7 SINGLE TRASH "A"



8 QUEUE RAIL



**CASABLANCA
DESIGN GROUP**
P 770.423.9575
F 770.423.9402

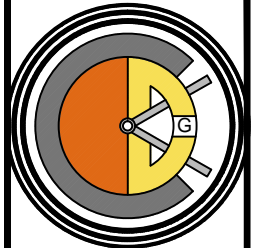
ISSUE / REVISION / DESCRIPTION
DATE

Burger King Restaurant
DETROIT, MI 160017: BK#6796:
20/20 LO2 IMPROVED (BK CUSTOM RED)
19901 VAN DYKE ROAD
EHW

SHEET TITLE
FURNITURE
DETAILS

SHEET
ID-16

BKC 20/20 LIGHT (IMPROVED- BK CUSTOM RED) FURNITURE & DECOR (ALL ITEMS BY CDG UNO)							
CATEGORY	TYPE	QTY	SKU	DESCRIPTION/ PRODUCT NAME	CODE	FINISHES	COMMENTS
BANQUETTES- FIBERGLASS	A 42D FG	2	BS-BK3000-42D-00002	42" DOUBLE BOOTH FIBERGLASS	UPH-3L SS-2L PL-1L	BACKPAD: CF STINSON, AVANT AV130 BONE SEAT: BKC FIBERGLASS BRINDLE TOPCAP: LG SURFACES, TERNI SEAT FRAME & WALL: PIONITE, WP115-F APPEARS LIKATRE, SUPERMATTE FINISH METAL LEG SUPPORTS: CHROME II, W CC	
	B 42S FG	2	BS-BK3000-42S-00000	42" SINGLE BOOTH FIBERGLASS WALL MOUNTED	UPH-3L PL-1L	BACKPAD: CF STINSON, AVANT AV130 BONE SEAT: BKC FIBERGLASS BRINDLE SEAT FRAME: PIONITE, WP115-F APPEARS LIKATRE, SUPERMATTE FINISH METAL LEG SUPPORTS: CHROME II, W CC	
	B 60S FG	2	BS-BK3000-60S-00000	60" SINGLE BOOTH FIBERGLASS WALL MOUNTED	UPH-3L PL-1L	BACKPAD: CF STINSON, AVANT AV130 BONE SEAT: BKC FIBERGLASS BRINDLE SEAT FRAME: PIONITE, WP115-F APPEARS LIKATRE, SUPERMATTE FINISH METAL LEG SUPPORTS: CHROME II, W CC	
	C 60D FG	1	BS-BK3000-60D-00402	60" DOUBLE BOOTH FIBERGLASS	UPH-8L SS-2L PL-1L	BACKPAD: CF STINSON, BK CUSTOM RED SEAT: BKC FIBERGLASS BRINDLE TOPCAP: LG SURFACES, TERNI SEAT FRAME & WALL: PIONITE, WP115-F APPEARS LIKATRE, SUPERMATTE FINISH METAL LEG SUPPORTS: CHROME II, W CC	
	D 60S FG	2	BS-BK3000-60S-00400	60" SINGLE BOOTH FIBERGLASS WALL MOUNTED	UPH-8L PL-1L	BACKPAD: CF STINSON, BK CUSTOM RED SEAT: BKC FIBERGLASS BRINDLE SEAT FRAME: PIONITE, WP115-F APPEARS LIKATRE, SUPERMATTE FINISH METAL LEG SUPPORTS: CHROME II, W CC	
	D 42S FG	1	BS-BK3000-42S-00400	42" SINGLE BOOTH FIBERGLASS WALL MOUNTED	UPH-8L PL-1L	BACKPAD: CF STINSON, BK CUSTOM RED SEAT: BKC FIBERGLASS BRINDLE SEAT FRAME: PIONITE, WP115-F APPEARS LIKATRE, SUPERMATTE FINISH METAL LEG SUPPORTS: CHROME II, W CC	
	D 96S FG	1	BS-BK3000-96S-00400	96" SINGLE BOOTH FIBERGLASS WALL MOUNTED	UPH-8L PL-1L	BACKPAD: CF STINSON, BK CUSTOM RED SEAT: BKC FIBERGLASS BRINDLE SEAT FRAME: PIONITE, WP115-F APPEARS LIKATRE, SUPERMATTE FINISH METAL LEG SUPPORTS: CHROME II, W CC	
	CHAIRS & STOOLS	A	25	CH-BK1900-U502	2020 METAL FRAME LADDER BACK CHAIR W/ WOOD BACK	UPH-8L	SEAT: CF STINSON, BK CUSTOM RED BACK: NATURAL FRAME: SILVER
B		6	CH-BK1910-U502	2020 METAL FRAME LADDER BACK BAR STOOL W/ WOOD BACK	UPH-8L	SEAT: CF STINSON, BK CUSTOM RED BACK: NATURAL FRAME: SILVER	
C		2	US-CB100-U502	CDG FIT LOUNGE CHAIR W/ STEEL LEGS	UPH-8L	FINISH: CF STINSON, BK CUSTOM RED METAL LEG: CHROME II W/ CC	
D		2	US-CB100-U504	CDG FIT LOUNGE CHAIR W/ STEEL LEGS	UPH-3L	FINISH: CF STINSON, AVANT AV130 BONE METAL LEG: CHROME II W/ CC	
STEEL	CM1	12	CM1-CHROME	CM-1 32-3/4" TABLE STAND, UPGRADED FINISH		TCI 9911-01007-1 STEEL POWDERCOAT: TCI 9911-01007-1 NEARLY CHROME	
	CM2	7	CM2-CHROME	CM-2 32-3/4" OFFSET TABLE STAND, UPGRADED FINISH		TCI 9911-01007-1 STEEL POWDERCOAT: TCI 9911-01007-1 NEARLY CHROME	
	CM16	2	CM16-CHROME	CM-16 44-3/4" TABLE STAND, UPGRADED FINISH		TCI 9911-01007-1 STEEL POWDERCOAT: TCI 9911-01007-1 NEARLY CHROME	
	EC20	1	ST-CB-EC20-CHROME	20" METAL CTR END CLEAT; COUNTERS OVER 23" DP; UPGRADED FINISH		TCI 9911-01007-1 STEEL POWDERCOAT: TCI 9911-01007-1 NEARLY CHROME	
TABLE TOPS	A2442	3	TT-BK100-2442-LM509	24" X 42" LAMINATE TABLE TOP W/ VBE	PL-9L	TOP: NEVAMAR, WK0017T VENERABLE OLD OAK EDGE: PLATINUM VINYL BUMPER	
	A2442A	2	TT-BK100-2442A-LM509	24" X 42" LAMINATE TABLE TOP W/ VBE & ADA LOGO	PL-9L	TOP: NEVAMAR, WK0017T VENERABLE OLD OAK EDGE: PLATINUM VINYL BUMPER	
	A3042	3	TT-BK100-3042-LM509	30" X 42" LAMINATE TABLE TOP W/ VBE	PL-9L	TOP: NEVAMAR, WK0017T VENERABLE OLD OAK EDGE: PLATINUM VINYL BUMPER	
	B2124	1	TT-BK100-2124-LM505	21" X 24" LAMINATE TABLE TOP W/ VBE	PL-5L	TOP: PIONITE, WY160-N G48 ABSOLUTE ACAJOU EDGE: PLATINUM VINYL BUMPER	
	B2442	1	TT-BK100-2442-LM505	24" X 42" LAMINATE TABLE TOP W/ VBE	PL-5L	TOP: PIONITE, WY160-N G48 ABSOLUTE ACAJOU EDGE: PLATINUM VINYL BUMPER	
	B2442A	1	TT-BK100-2442A-LM505	24" X 42" LAMINATE TABLE TOP W/ VBE & ADA LOGO	PL-5L	TOP: PIONITE, WY160-N G48 ABSOLUTE ACAJOU EDGE: PLATINUM VINYL BUMPER	
	B2460	2	TT-BK100-2460-LM505	24" X 60" LAMINATE TABLE TOP W/ VBE	PL-5L	TOP: PIONITE, WY160-N G48 ABSOLUTE ACAJOU EDGE: PLATINUM VINYL BUMPER	



**CASABLANCA
DESIGN GROUP**
P 770.423.9575
F 770.423.9402

ISSUE / REVISION / DESCRIPTION

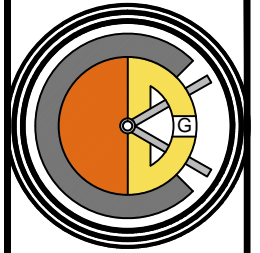
DATE

Burger King Restaurant
DETROIT, MI 160017: BK#6796:
20/20 LO2 IMPROVED (BK CUSTOM RED)
19901 VAN DYKE ROAD
EHW

SHEET TITLE
**FURNITURE
SCHEDULE**

SHEET
ID-17

BKC 20/20 LIGHT (IMPROVED- BK CUSTOM RED) FURNITURE & DECOR (ALL ITEMS BY CDG UNO)							
CATEGORY	TYPE	QTY	SKU	DESCRIPTION/ PRODUCT NAME	CODE	FINISHES	COMMENTS
TRASH	A	3	WR-BK100-0102-G1	BKC SINGLE TRASH UNIT W/ VINYL GRAPHIC	PL-1L SS-2L	BODY & MAIN DOOR: WP115 APPEARS LIKATRE, SUPERMATTE FINISH TOP & TRAY SLIDES: LG SURFACES, TERNI EDGEBANDING: 3MM x 15/16" SLATE GREY TRASH BODY TEE MOULD: SILVER 1" CENTER BARB VINYL GRAPHIC: FEED ME METAL FINISH: CHROME II W/ CC	
		1	CDG-WR-CB100	EXTRA LINER 30 GAL WITH CASTERS			
SIGNAGE	A1	1 SET	MS-CB100-PL501	BLUE MEN & WOMEN'S RR SIGNS- NO WOOD PLAQUE		BLUE	
CEILING DÉCOR	A2	1	SC-BK200-146X133-0103	BKC CEILING SOFFIT W/ 2 ACCENT RECESSES 146X133X6	PL-1L PL-6L	MAIN LAM: WP115 APPEARS LIKATRE, SUPERMATTE FINISH RECESS ACCENT LAM: FORMICA, 6902-58 GRENADINE	GC TO PROVIDE EXTRA WOOD BLOCKING ABOVE CEILING TO MOUNT DÉCOR & CUT HOLES & PROVIDE LIGHT FIXTURES IN SOFFIT
TABLES: LOUNGE	A3	1	TC-BK1100-LM509	BKC LOUNGE TABLE LAM VBE METAL 42X24X22	PL-9L	LAM: NEVAMAR, WK0017T VENERABLE OLD OAK EDGE: PLATINUM VBE FRAME: CHROME II W/ CC	
PARTITIONS: 48" AFF W/ ELECTRICAL OUTLETS	A4A	1	DC-BK1100-34E-TECH-0102	BKC FLOATING CD DIVIDER WALL ELEC UNDER TABLE FOR TECH TOP 34X48X4	PL-1L SS-2L	LAM: PIONITE, WP115 APPEARS LIKATRE, SUPERMATTE FINISH TOP CAP: LG SURFACES, TERNI METAL LEG FINISH: CHROME II W/ CC	GC TO PROVIDE POWER FROM CEILING THROUGH A10A; GC TO RUN POWER TO TECHTOP A11A; (2) 3.5" DIA. CORE DRILL HOLES REQ'D, CDG TO PROVIDE TEMPLATE
	A4B	1	DC-BK1100-34EE-0102	BKC FLOATING CD DIVIDER WALL W/ ELEC BOTH SIDES 34X48X4	PL-1L SS-2L	LAM: PIONITE, WP115 APPEARS LIKATRE, SUPERMATTE FINISH TOP CAP: LG SURFACES, TERNI METAL LEG FINISH: CHROME II W/ CC	GC TO PROVIDE POWER FROM CEILING THROUGH A10A; (2) 3.5" DIA. CORE DRILL HOLES REQ'D, CDG TO PROVIDE TEMPLATE
PARTITIONS: 40" AFF	A5	1	DC-BK1200-44-0102	BKC FLOATING CD DIVIDER WALL 44X40X4	PL-1L SS-2L	LAM: PIONITE, WP115 APPEARS LIKATRE, SUPERMATTE FINISH TOP CAP: LG SURFACES, TERNI METAL LEG FINISH: CHROME II W/ CC	(2) 3.5" DIA. CORE DRILL HOLES REQ'D, CDG TO PROVIDE TEMPLATE
	A6	2	DC-BK1200-62-0102	BKC FLOATING CD DIVIDER WALL 62X40X4	PL-1L SS-2L	LAM: PIONITE, WP115 APPEARS LIKATRE, SUPERMATTE FINISH TOP CAP: LG SURFACES, TERNI METAL LEG FINISH: CHROME II W/ CC	(2) 3.5" DIA. CORE DRILL HOLES REQ'D, CDG TO PROVIDE TEMPLATE
	A7A	1	DC-BK1200-62L-0102	BKC FLOATING CD DIVIDER WALL 62X40X4 W/ LEFT FINISHED END	PL-1L SS-2L	LAM: PIONITE, WP115 APPEARS LIKATRE, SUPERMATTE FINISH TOP CAP: LG SURFACES, TERNI METAL LEG FINISH: CHROME II W/ CC	(2) 3.5" DIA. CORE DRILL HOLES REQ'D, CDG TO PROVIDE TEMPLATE
	A7B	1	DC-BK1200-142-0102	BKC FLOATING CD DIVIDER WALL 142X40X4	PL-1L SS-2L	LAM: PIONITE, WP115 APPEARS LIKATRE, SUPERMATTE FINISH TOP CAP: LG SURFACES, TERNI METAL LEG FINISH: CHROME II W/ CC	(4) 3.5" DIA. CORE DRILL HOLES REQ'D, CDG TO PROVIDE TEMPLATE
	A7C	1	DC-BK1220-133-0102	BKC FLOATING CD DIVIDER WALL W/ TRIM STRIP 133X40X4	PL-1L SS-2L	LAM: PIONITE, WP115 APPEARS LIKATRE, SUPERMATTE FINISH TOP CAP: LG SURFACES, TERNI TRIM STRIP: SATIN STAINLESS INLAY METAL LEG FINISH: CHROME II W/ CC	(4) 3.5" DIA. CORE DRILL HOLES REQ'D, CDG TO PROVIDE TEMPLATE
PARTITION: SCREENS	A8A	2	DC-BK5000-14A-LM510	BKC 3 BOX DIVIDER SCREEN LAM 24X62X4	PL-1L	LAM: PIONITE, WP115 APPEARS LIKATRE, SUPERMATTE FINISH CEILING SUPPORT FINISH: STAINLESS STEEL TUBING	S. STEEL TUBING IS TRIMMABLE IN FIELD; GC TO PROVIDE EXTRA BLOCKING IN CEILING FOR DÉCOR
	A8B	1	DC-BK5000-14B-LM510	BKC 3 BOX DIVIDER SCREEN LAM (BOXES REVERSED) 24X62X4	PL-1L	LAM: PIONITE, WP115 APPEARS LIKATRE, SUPERMATTE FINISH CEILING SUPPORT FINISH: STAINLESS STEEL TUBING	S. STEEL TUBING IS TRIMMABLE IN FIELD; GC TO PROVIDE EXTRA BLOCKING IN CEILING FOR DÉCOR
	A9	3	DC-BK5300-36-AC501	BKC 3/8" PLEX SCREEN W/ RODS AND PLEX 36X48	R-1L	PLEX: 3FROM, VARIA ECORESIN, TING TING, 3/8" EDGE-POLISHED FINISH, PATENT FINISH - FRONT AND BACK RODS AND CLIPS: MACHINED ALUMINUM/ CLEAR SATIN ANNOXIDIZED	GC TO PROVIDE EXTRA BLOCKING IN CEILING FOR DÉCOR
	A10	2	DC-BK5420-34X58-01031	BKC TALL SCREEN LAM W/ PLEX 34" X 58" X 4"	PL-1L PL-6L R-1L	MAIN LAM: WP115 APPEARS LIKATRE, SUPERMATTE CENTER BOX LAM: FORMICA, 6902-58 GRENADINE PLEX: 3FROM, VARIA ECORESIN, TING TING, 3/8" PATENT FINISH - FRONT AND BACK	GC TO PROVIDE EXTRA BLOCKING IN CEILING FOR DÉCOR
COMMUNITY TABLES	A11A	1	TC-BK1012-6-SS506-TECH	BKC COMMUNITY TABLE CORIAN W/ 2 LONG 3" APRONS W/ 4 TECH TOP CHARGING PADS & END CLEATS 78X29X3	SS-2L	TOP & APRONS: LG SURFACES, TERNI TECH TOP EQUIPMENT BY OTHERS END CLEATS: TCI 9911-01007-1 STEEL POWDRECOAT: TCI 9911-01007-1 NEARLY CHROME	
	A11B	1	TC-BK1013-4A-SS506	BKC COMMUNITY TABLE CORIAN W/ (3) 3" APRONS W ADA LOGO 47X29X3	SS-2L	TOP & APRONS: LG SURFACES, TERNI	
QUEUE RAILING	A12A	1	QR-BK100-26	BKC SSTEEL QUEUE RAILING 26 W/RADIUS CORNERS			(2) 3" DIA. CORE DRILL HOLES REQ'D
	A12B	1	QR-BK100-84	BKC SSTEEL QUEUE RAILING 84 W/RADIUS CORNERS			(3) 3" DIA. CORE DRILL HOLES REQ'D



**CASABLANCA
DESIGN GROUP**
P 770.423.9575
F 770.423.9402

ISSUE / REVISION / DESCRIPTION

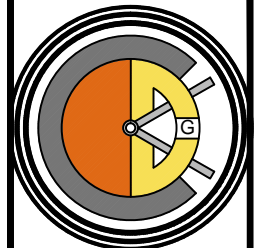
DATE

Burger King Restaurant
DETROIT, MI 160017: BK#6796:
20/20 LO2 IMPROVED (BK CUSTOM RED)
19901 VAN DYKE ROAD
EHW

SHEET TITLE
**DECOR
SCHEDULE**

SHEET
ID-18

2.9.2016 Elizabeth Wooten C:\Vault Workspace\Project Files1 - Projects\Burger King\ID\Detroit, MI (19901 Van Dyke Road) BK#6796\Detroit, MI #160017\Design\Detroit, MI #160017 Improved BK Custom



**CASABLANCA
DESIGN GROUP**
P 770.423.9575
F 770.423.9402

ISSUE / REVISION / DESCRIPTION

DATE

Burger King Restaurant
DETROIT, MI 160017: BK#6796:
20/20 LO2 IMPROVED (BK CUSTOM RED)
19901 VAN DYKE ROAD
EHW

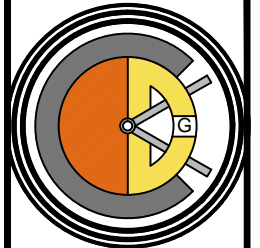
SHEET TITLE
**BUILDING FINISH
SCHEDULE**

SHEET
ID-19

BURGER KING- 20/20 LIGHT INTERIOR							
INTERIOR MATERIALS & FINISH SCHEDULE **TO BE USED WITH 20/20 LIGHT GUIDELINES DOC.							
1/27/2016							
CODE	MATERIAL	LOCATION	MANUFACTURER	DESCRIPTION			ADDITIONAL INFORMATION
				PRODUCT	COLOR	DIMENSION	
ACOUSTICAL CEILING							
ACT-1L	ACOUSTICAL CEILING TILE	DINING	ARMSTRONG	FINE FISSURED #1732	WHITE GRID: 2 x2 ANGLED TEGULAR 15/16 GRID COLOR: WHITE	2' X 2' X 3/4"	CONTACT: LOUIS J. JOHN - NATIONAL ACCOUNTS MANAGER 407-697-6768 LJJOHN@ARMSTRONG.COM
ACT-1L UPGRADE	ACOUSTICAL CEILING TILE	DINING		FINE FISSURED #1732	ADOBE GRID: 2 x2 ANGLED TEGULAR 15/16 GRID COLOR: ADOBE	2' X 2' X 3/4"	
ACT-2L	ACOUSTICAL CEILING TILE	BACK OF HOUSE		#BP672 KITCHEN ZONE	PANEL COLOR: WHITE GRID: PRELUDE 15/16" EXPOSED TEE GRID GRID COLOR: WHITE	2' X 4' X 1/2"	CONTACT: ARMSTRONG STRATEGIC ACCOUNTS (800) 442-4212
FLOOR & WALL FINISHES AT DINING, RESTROOMS & BACK OF HOUSE							
DECORATIVE FLOOR & WALL TILES OPTION A							
CT-2L	CERAMIC TILE	FIELD TILE	INTERCERAMIC	ADVANCED GRIGIO	ADVANCED GRIGIO	12" X 24"	CONTACT: INTERCERAMIC NATIONAL ACCOUNTS - 214-503-4812 JOSE VALDEZ jvaldez@interceramic.com Phone: (214) 503-5507
CT-9L	CERAMIC TILE	FOOD PREP		IC BRITE	ULTA WHITE	8" X 10"	
CT-12L	CERAMIC TILE	DINING AREA BASE		ADVANCED GRIGIO	ADVANCED GRIGIO	6" x 24" (CUT TILE)	NOTE: USE WITH GR-8L
CT-12L	CERAMIC TILE	BULLNOSE DINING AREA BASE		ADVANCED GRIGIO	ADVANCED GRIGIO LIPICA	3" x 24" BULLNOSE	NOTE: USE WITH GR-8L
DECORATIVE FLOOR & WALL TILES OPTION B							
CT-14L (SEE NOTE FOR USAGE)	CERAMIC TILE	BEVERAGE STATION TILE BACK WALL	GRANITI FIANDRE	EUROWEST	RITMO ROSSO	8"x 13"	CONTACT: JAN DETER AT EUROWEST (714) 309-9551 JOY KLEIN 813-334-3302 jklein@transceramica.com NOTE: USE WITH GR-13L TO BE USED WITH P-14L/ PL-6L/ UPH-8L REFER TO 2020 LIGHT GUIDELINES
DECORATIVE FLOOR & WALL TILES OPTION C							
CT-1L	CERAMIC TILE	ACCENT TILE	EMSER TILE	ALPINE	ESPRESSO	6" X 36"	CONTACT: TAMARA RAMSEY (303) 902-3992 NOTE: USE WITH GR-1L
CT-2L	CERAMIC TILE	FIELD TILE		SANDSTONE	BEIGE	12"X24"	NOTE: USE WITH GR-8L
CT-3L	CERAMIC TILE	RESTROOMS		SPECULAR	NYSHIRA	12"X12"	NOTE: USE WITH GR-3L
CT-4L	CERAMIC TILE	COVE BASE RESTROOMS		SPECULAR	NYSHIRA COVE	6" X 12"	NOTE: USE WITH GR-3L
CT-5L	CERAMIC TILE	RESTROOMS		SPECULAR	ACAMAR	12"X12"	NOTE: USE WITH GR-4L
CT-7L	CERAMIC TILE	COVE BASE RESTROOMS		SPECULAR	ACAMAR	6" X 12"	NOTE: USE WITH GR-4L
CT-8L	CERAMIC TILE	BULLNOSE RESTROOMS		SPECULAR	ACAMAR	3" X 12"	NOTE: USE WITH GR-4L
GROUT							
GR-1L	GROUT	ACCENT TILE	CUSTOM BUILDING PRODUCTS	POLYBLEND SANDED	#185 - NEW TAUPE		NOTE: USE WITH CT-1L *** FOR SETTING MATERIALS USE COMPLETE CONTACT RAPID SET
			MAPEI	SANDED	#09 GRIS		
GR-2L	GROUT	WALL TILE	CUSTOM BUILDING PRODUCTS	POLYBLEND SANDED	#101 QUARTZ		NOTE: USE WITH CT-16L/CT-21L *** FOR SETTING MATERIALS USE COMPLETE CONTACT RAPID SET
			MAPEI	SANDED	#14 BISCUIT		
GR-3L	GROUT	RESTROOMS	CUSTOM BUILDING PRODUCTS	POLYBLEND SANDED	#19 PEWTER		NOTE: USE WITH CT-3L, CT-4L *** FOR SETTING MATERIALS USE COMPLETE CONTACT RAPID SET
			MAPEI	SANDED	#47 CHARCOAL		
GR-4L	GROUT	RESTROOMS	CUSTOM BUILDING PRODUCTS	POLYBLEND SANDED	#101 QUARTZ		NOTE: USE WITH CT-5L, CT-7L, CT-8L *** FOR SETTING MATERIALS USE COMPLETE CONTACT RAPID SET
			MAPEI	SANDED	#44 PALE UMBER		
GR-5L	GROUT	FOOD PREP	CUSTOM BUILDING PRODUCTS	POLYBLEND SANDED	#381 - BRIGHT WHITE		NOTE: USE WITH CT-9L *** FOR SETTING MATERIALS USE COMPLETE CONTACT RAPID SET
			MAPEI	ULTRA COLOR UNSANDED	#38 AVALANCHE		
GR-8L	GROUT	FIELD TILE	CUSTOM BUILDING PRODUCTS	POLYBLEND SANDED	#386 OYSTER GRAY		NOTE: USE WITH CT-2L *** FOR SETTING MATERIALS USE COMPLETE CONTACT RAPID SET
			MAPEI	ULTRA COLOR UNSANDED	#02 PEWTER		
GR-11L	GROUT	FIELD TILE	CUSTOM BUILDING PRODUCTS	POLYBLEND SANDED	#145 LIGHT SMOKE		NOTE: USE WITH WP-1L *** FOR SETTING MATERIALS USE COMPLETE CONTACT RAPID SET
			MAPEI	ULTRA COLOR UNSANDED	#05 CHAMOIS		
GR-13L	GROUT	BEVERAGE STATION TILE	MAPEI	ULTRA COLOR UNSANDED	#05 CHAMOIS		NOTE: USE WITH CT-14L AND CT-24L *** FOR SETTING MATERIALS USE MAPEI ULTRA-CONTACT-GRAY
GR-14L	GROUT	FSC KNEEWALL / ACCENT WALL	CUSTOM BUILDING PRODUCTS	POLYBLEND SANDED	#52 TOBACCO BROWN		NOTE: USE WITH CT-20L *** FOR SETTING MATERIALS USE COMPLETE CONTACT RAPID SET

2.9.2016 Elizabeth Wooten C:\Vault Workspace\Project Files1 - Projects\Burger King\ID\Detroit, MI (19901 Van Dyke Road) BK#6796\Detroit, MI #160017\Design\Detroit, MI #160017 Improved BK Custom

BURGER KING- 20/20 LIGHT INTERIOR								
INTERIOR MATERIALS & FINISH SCHEDULE **TO BE USED WITH 20/20 LIGHT GUIDELINES DOC.								
1/27/2016								
CODE	MATERIAL	LOCATION	MANUFACTURER	DESCRIPTION			ADDITIONAL INFORMATION	
				PRODUCT	COLOR	DIMENSION		
BACK OF HOUSE FLOOR TILE								
CT-10L	QUARRY TILE	BACK OF HOUSE FLOORING	DAL-TILE	QUARRY TILE	0Q42 ARID GRAY ***ADD ABRASIVE GRAIN	6" X 6"	NOTE: USE WITH GR-6L	
CT-11L	QUARRY TILE BASE	BACK OF HOUSE COVE BASE	DAL-TILE	QUARRY TILE	Q-3565 COVE BASE - ARID GRAY	5" X 6"	NOTE: USE WITH GR-6L	
GR-6L	GROUT	BACK OF HOUSE	LATICRETE	SPECTRALOCK 2000 IG	# 45 "RAVEN"		NOTE: USE WITH CT-10L, CT-11L CONTACT: KIRBY DAVIS AT LATICRETE (203) 671-7210	
TS -1L	TRANSITION STRIP	CERAMIC TILE TO CERAMIC TILE	SCHLUTER SYSTEMS	TRANSITION PROFILES FOR FLOORS	SCHIENE (RADIUS) AE 100 - R, SATIN ANODIZED ALUMINUM 3/8" - 10MM		CONTACT: EARL MAICUS AT SCHLUTER SYSTEMS 800-267-0817 EMAICUS@SCHLUTER.COM	
WALL FINISHES / PAINT								
CT-16L	STONE	WALL ACCENT	EMSER TILE	SPLIT FACE OFFSET BEIGE	ANTIQUÉ & TUMBLED STONE MOSAIC NOTE: GC TO SEAL STONE	12" x 12"	CONTACT: TAMARA RAMSEY (303) 902-3992 NOTE: USE WITH GR-2L Manufacturer Recommended Sealer: Miracle Sealants 511 Impregnator	
CT-20L	CERAMIC TILE	FSC KNEE WALL & ACCENT WALL	GRANITI FIANDRE	LEGNI HIGH TECH	ROVERE MOKA	6" X 36" STACKED BOND	CONTACT: JAN DETER AT EUROWEST (714) 309-9551 JOY KLEIN 813-334-3302 jklein@transceramica.com NOTE: USE WITH GR-14L	
CT-21L	CERAMIC TILE	WALL ACCENT	GRANITI FIANDRE	T577	WILD SILK	12" x 24"	CONTACT: JAN DETER AT EUROWEST (714) 309-9551 JOY KLEIN 813-334-3302 jklein@transceramica.com NOTE: CAN BE PROVIDED FOR LOCATION THAT REQUIRES LIGHTER COLOR TILES BEHIND BEVERAGE STATION NOTE: USE WITH GR-2L Exception form to include building department health requirements which does not allow the use of a natural stone on the FSC corner wall.	
FRP-1L	FIBERGLASS REINFORCED PANEL	BACK OF HOUSE	MARLITE	STANDARD FRP	S100 S2S		CONTACT: MIKE FREW AT MARLITE (330) 260-7623 MFREW@marlite.com CUSTOMER SERVICE - (330) 343-6621	
MT-1L	METAL	FRONT COUNTER ACCENT		BAR STOCK	CLEAR ALUMINUM	1/4" X 1/4"		
P-2L	PAIN	EXPOSED CEILING ACCENT- BLACK MENU BOARD SOFFIT	PPG	PRIMER: 17-921 (Primer Color Grey) PAINT: PPG 6-411 (Alt. PPG 25-250) Eggshell	DEEP ONYX 00NN 07/000		SOFFIT PLASTER FINISH TO BE "ORANGE PEEL" TYPE (EGGSHELL/SPLATTER) WALL PLASTER FINISH TO BE "ORANGE PEEL" TYPE (EGGSHELL/SPLATTER)	
P-3L	PAIN	INTERIOR WALLS		PRIMER: 6-2 PAINT: PPG 6-411 Eggshell	WRIGHT STONE 10YY 30/106			
P-4L	PAIN	INTERIOR DOOR FRAMES		PRIMER: 6-212 PAINT: 6-1110XI	WRIGHT STONE 10YY 30/106			Contact: Rick Garlin PPG Corporate National Accounts Manager phone: 317-318-5800 email: garlin@ppg.com SOFFIT PLASTER FINISH TO BE "ORANGE PEEL" TYPE (EGGSHELL/SPLATTER) WALL PLASTER FINISH TO BE "ORANGE PEEL" TYPE (EGGSHELL/SPLATTER)
P-5L	PAIN	RESTROOM CEILING		PRIMER: 6-2 PAINT: PPG 6-411 Eggshell	WHITE ON WHITE 30GY 88/014			
P-8L	PAIN	INTERIOR WALLS		PRIMER: 6-2 PAINT: PPG 6-411 (Alt. PPG 25-250) Eggshell	WRIGHT STONE 10YY 30/106			
P-9L	PAIN	DOOR FRAMES		PRIMER: 6-212 PAINT: 6-1110XI	WRIGHT STONE 10YY 30/106			
P-11L	PAIN	INTERIOR WALLS ACCENT		PRIMER: 6-2 PAINT: PPG 6-411 Eggshell	TRADITIONAL TAN			NOTE: USE 1" NAP ROLLER FOR LIGHT ORANGE PEEL TEXTURE
P-14L (SEE NOTE FOR USAGE)	PAIN	ACCENT PAINT SOFFIT		PRIMER: 6-212 PAINT: PPG 6-411 (Alt. PPG 25-250) Eggshell	FLAMING RED Custom Formula			NOTE: TO BE USED WITH UPH-8L AND PL-6L REFER TO 2020 LIGHT GUIDELINES FOR FURTHER DIRECTIONS



**CASABLANCA
DESIGN GROUP**
P 770.423.9575
F 770.423.9402

DATE / ISSUE / REVISION / DESCRIPTION

Burger King Restaurant
 DETROIT, MI 160017: BK#6796:
 20/20 LO2 IMPROVED (BK CUSTOM RED)
 19901 VAN DYKE ROAD
 EHW

SHEET TITLE
BUILDING FINISH
SCHEDULE

SHEET
ID-20

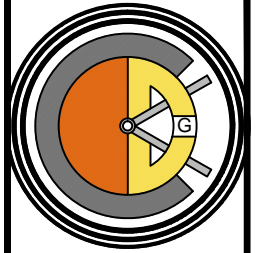
2.9.2016 Elizabeth Wooten C:\Vault\Workspace\Project Files1 - Projects\Burger King\ID\Detroit, MI (19901 Van Dyke Road) BK#6796\Detroit, MI #160017\Design\Detroit, MI #160017 Improved BK Custom

BURGER KING- 20/20 LIGHT INTERIOR

INTERIOR MATERIALS & FINISH SCHEDULE **TO BE USED WITH 20/20 LIGHT GUIDELINES DOC.

1/27/2016

CODE	MATERIAL	LOCATION	MANUFACTURER	DESCRIPTION			ADDITIONAL INFORMATION
				PRODUCT	COLOR	DIMENSION	
PL-1L	PLASTIC LAMINATE	DOORS (SEE PLANS)	PIONITE	PLASTIC LAMINATE	APPEARS LIKATRE WP115-SUPERMATTE Note: BK finish is Super matte. No finish substitutions		CONTACT: KATHLEEN ANDREOLA AT PANOLAM INDUSTRIES 407-415-0443 BK LAMINATE ORDER THROUGH JOHN TRULOCK
TR-1L	METAL TRIM	DINING FLOOR TRANSITION	SCHLUTER	AE 100 D	SATIN ANODIZED ALUMINUM	3/8" TILE THICKNESS	CONTACT: EARL MAICUS @ SCHLUTER SYSTEMS 800-267-0817 EMAICUS@SCHLUTER.COM
TR-2L	METAL TRIM	GENERAL DINING TRANSITION		RECTANGULAR BAR STOCK	BRUSHED ALUMINUM	1" X 1/4"	
TR-3L	METAL TRIM	GENERAL WALL TRANSITION		CORNER GUARD	BRUSHED ALUMINUM	1/2" X 1/2"	
TR-4L	METAL TRIM	TRANSITION BETWEEN FINISHES AT BEVERAGE		SCHLUTER RONDEC-DB	SATIN ANODIZED ALUMINUM		
TR-5L	METAL TRIM	TRANSITION BETWEEN FLOOR AND BASE TILE		SCHLUTER DILEX AHK 1S 125 AE	SATIN ANODIZED ALUMINUM		
TR-6L	METAL TRIM	TILED WALL TRANSITIONS		SCHLUTER RONDEC-AE	SATIN ANODIZED ALUMINUM		
WP-1L UPGRADE	CERAMIC TILE	GENERAL WAINSCOTING & COVE BASE	GRANITI FIANDRE	EUROWEST	HAZELNUT TAN	12" X 24"	CONTACT: JAN DETER AT EUROWEST (714) 309-9551 JOY KLEIN 813-334-3302 jklein@transceramica.com NOTE: USE WITH GR-11L
SOLID SURFACE							
SS-1L	SOLID SURFACE	FIXTURES AS NOTED FSC	LG SURFACES	SOLID SURFACE	TERNI M201	1/2" THICKNESS	CONTACT: CHERI RUKAVINA @ LG SURFACES (404) 435-8092
SS-2L	SOLID SURFACE	FIXTURES AS NOTED TOP CAP/ SILL		SOLID SURFACE	TERNI M201	1/2" THICKNESS	
SS-3L	SOLID SURFACE	FIXTURES AS NOTED FEATURE ELEMENT /TOP CAP		SOLID SURFACE	TERNI M201	1/2" THICKNESS	
SS-6L	SOLID SURFACE	FIXTURES AS NOTED		SOLID SURFACE	HI-MACS COCONUT	1/2" THICKNESS	
DÉCOR							
DH01	DÉCOR	DOOR HANDLE	NAUTICAL FURNISHINGS, LLC	BRANDED WOOD DOOR HANDLES WITH METAL BRACKETS	IPE WOOD 8" X 3.4" WITH 1" X 1/8" WITH 1" POWDER COATED METAL BRACKETS TO MATCH DOOR; 6" BRANDED LOGO CENTERED AT HANDLE; TOP OF HANDLE 48" MAX AFF	35" X 8"	CONTACT: MICHAEL HOGLUND 954.771.1100 MHOGLUND@NAUTICALFURNISHINGS.COM



**CASABLANCA
DESIGN GROUP**
P 770.423.9575
F 770.423.9402

DATE

ISSUE / REVISION / DESCRIPTION

SHEET TITLE
BUILDING FINISH
SCHEDULE

SHEET
ID-21

Burger King Restaurant
DETROIT, MI 160017: BK#6796:
20/20 LO2 IMPROVED (BK CUSTOM RED)
19901 VAN DYKE ROAD
EHW