



10/07/15

09/30

BRAID REVIEW APPROVED
WITH COMMENTS - REVISE/
RESUBMIT FOR REC RECORDS ONLY

Burger King Restaurant
Toms King
Garden Grill - Grayslake, IL

SEATING Concepts
125 Connell Ave
Rockdale, IL 60436
www.seating-concepts.com
T: 815.730.7980 F: 815.730.7969

This drawing contains proprietary information by Seating Concepts. Unauthorized use or reproduction is prohibited without expressed written consent of Seating Concepts.

Seating Concepts 125 Connell Ave. Rockdale, IL 60436

Decor Drawings:

* These plans are produced from architects drawings received: 09/04/15

General Notes and Information:

General Notes

1. Do not scale off plans. Call Seating Concepts to verify any questionable dimensions - 815.730.7980
2. Dimensions are for design intent only.
3. Seating Concepts has prepared these pages as accurately as possible with the information provided. The owner understands that adjustments to the final locations of equipment and/or furniture placement may be required at the owner's expense due to discrepancies based on actual job site dimensions and conditions.
4. Refer to architectural drawings for complete and accurate dimensions of building structure.
5. These documents are the property of Seating Concepts.
6. These documents may not be copied, reproduced, used, or implemented in any way, without the consent of Seating Concepts.
7. Seating Concepts is not responsible for deviations, changes, additions, or deletions not reviewed and approved in advance by Seating Concepts.

Construction

1. The GC shall verify all dimensions and conditions on the job site and notify Seating Concepts of all discrepancies prior to starting work.
2. GC is to review Seating Concepts plans against the architectural drawing set they are using on site. GC shall notify Seating Concepts immediately if they notice discrepancies.
3. Dimensions marked GC to Verify must be verified and the measurements recorded to Seating Concepts. Failure to communicate verified dimensions to Seating Concepts could result in a delay of decor fabrication and possible delay of shipment.
4. GC to locate thermostats and sensors and move accordingly so they do not interfere with decor.
5. GC to refer to elevations for typical wall finishes.

Finish Specification & Ordering of Materials

1. The building specifications have multiple options to choose from. Seating Concepts shows all the options in the specification sheets for the Owner/GC to select from. Seating Concepts does not select the option to be used. This is for the wall tile, floor tile, paint, and ceiling finishes.
2. GC to order by complete specification, including series, item number and color. Any discrepancies should be communicated to Seating Concepts immediately.
3. Changes to finishes as requested by owner after materials are ordered may result in owner assuming restocking fees or other additional costs associated with a re-selection.

Tile

Wall Tile

1. All outside corners of the tile walls to receive edge protection per trim schedule TR-3L. TR-3L trim is also located where tile transitions to paint or vinyl wall covering. GC is responsible for ordering the correct size trim system for installation.
2. Tile patterns are shown on elevations for representation of install pattern only. Do not scale from drawings.
3. GC to insure wall tile specified in restrooms and food service/prep areas meet the local health code requirements.
4. Recommended grout joint is 1/8".

Floor Tile

1. Base tile to be located from elevations.
2. Base tile in kitchen must match floor finish specification for kitchen tile.
3. It is the responsibility of the GC to account for variance in tile thickness to insure a flush floor tile installation.
4. If cove base tile is used the GC must install cove base to be flush with floor tile.
5. Recommended grout joint is 1/8".
6. GC must apply grout sealer.

Decor Package:

* All Designs must be approved by Burger King Corporation.

Ceiling

1. GC must coordinate all existing HVAC and lighting with interior decor.

Electrical

1. All electrical outlets are located 18" A.F.F. unless otherwise noted.
2. All power and data to come from ceiling unless noted otherwise.
3. All electrical fixtures, wiring, and installation to be UL approved.
4. Pendants are to be centered over table top once final installation of seating is complete.

Installation

1. GC is to inspect Seating Concepts product upon delivery. Notice of damage must be given within 24 hours of delivery. Any damage noted after this time period will become the responsibility of the GC and will be repaired or replaced at the GC's expense.
2. GC is responsible to protect product during and after installation. Seating Concepts will not be responsible for product replacement due to misuse by others during and/or after installation.
3. GC to refer to installation pages included in the installation instructions packet sent with the decor.
4. GC is responsible to insure appropriate installation of metalwork as required for table tops designated as ADA compliant.

Graphics

Moss Retail
Contact: Rob Lorts
(773) 435-7655
222 North Maplewood Ave
Chicago, IL 60612

Drawing Index:

- * ID-1 Cover Sheet
- * ID-2 Seating Layout
- * ID-3 Furniture Finish Layout
- * ID-4 Wall Finish Layout
- * ID-5 Pendant, Soffit Layout
- * ID-6 Pendant, Graphic Layout
- * ID-7 Flooring Layout
- * ID-8.0 Interior Elevations
- * ID-8.1 Interior Elevations
- * ID-9 Furniture Finish Specifications
- * ID-10 Interior Building Specifications
- * ID-11.0 Pergola Soffit Details
- * ID-11.1 Trellis Soffit Details
- * ID-12 Unistrut Layout
- * ID-13 Product Images & Details
- * ID-14 FSC Details

FINISHES shall comply
WITH 2020 BARGED Grill
FINISH schedule AND
GUIDELINE AND CANNOT
DEVIATE FROM THE IMAGE

TEMPLATE UPDATED: 09-23-15

Project Contacts:
Please contact one of the following Seating Concepts team members to address any concerns you may have:

Customer Service:
Ken Hibben 815.730.7980 x 2253
Linda Bender 815.730.7980 x 2224
Alyson Simek 815.730.7980 x 2206

Interior Design:
Samantha Ulthe 815.730.7980 x 2251
Lori Manion 815.730.7980 x 2242
Iwona Letocha 815.730.7980 x 2273
Sandra Chavez: 815.730.7980 x 2221
Niha Prasad: 815.730.7980

**After delivery of decor if you have any questions please contact customer service at 815.730.7980



PROJECT:	Garden Grill
LOCATION:	Grayslake, IL
ADDRESS:	159 S RI 45
STORE #:	9926
DRAWN BY:	Deborah D. Paulik
PROJECT MANAGER:	Zach DePysstler
SALES MANAGER:	Linda Bender

DATE:	09-10-15		
REVISION HISTORY			
DATE	REV #	DESCRIPTION	INITIALS
09/28/15	01	BKC review & full package	DOP

DRAWING TITLE:	Cover Sheet
SCALE:	NTS
ID-1	

11 x 17 SIZE FORMAT

STEEL KEY	CORE DRILLED	FREE STANDING	MISC. SYMBOLS	FREESTANDING CHAIR	FREESTANDING CHAIR	FREESTANDING BARSTOOL	SOFT SEATING

NOTE: THIS KEY REPRESENTS GENERAL STEEL SYMBOLS. REFERENCE PROJECT SPECIFICATIONS FOR PRODUCT DESCRIPTIONS DETAILED IN PLAN.

** PLEASE SEE ID-3 FOR TABLE TOP LAMINATE GRAIN DIRECTION**

FLOOR PLAN KEY

ELEVATION TAG **1**

SEATING Concepts

125 Connell Ave
Rockdale, IL 60436

www.seating-concepts.com

T: 815.730.7980 F: 815.730.7969

This drawing contains proprietary information by Seating Concepts. Unauthorized use or reproduction is prohibited without expressed written consent of Seating Concepts.

Project Contacts:

Please contact one of the following Seating Concepts team members to address any concerns you may have:

Customer Service:
Ken Hibben 815.730.7980 x 2253
Linda Bender 815.730.7980 x 2224
Alyson Simek 815.730.7980 x 2206

Interior Design:
Samantha Ulthe 815.730.7980 x 2251
Lori Manion 815.730.7980 x 2242
Iwona Letocha 815.730.7980 x 2273
Sandra Chavez 815.730.7980 x 2221
Niha Prasad: 815.730.7980

**After delivery of decor if you have any questions please contact customer service at 815.730.7980



PROJECT: Garden Grill

LOCATION: Grayslake, IL

ADDRESS: 159 S Rt 45

STORE #: 9926

DRAWN BY: Deborah D. Paulik

PROJECT MANAGER: Zach DePysler

SALES MANAGER: Linda Bender

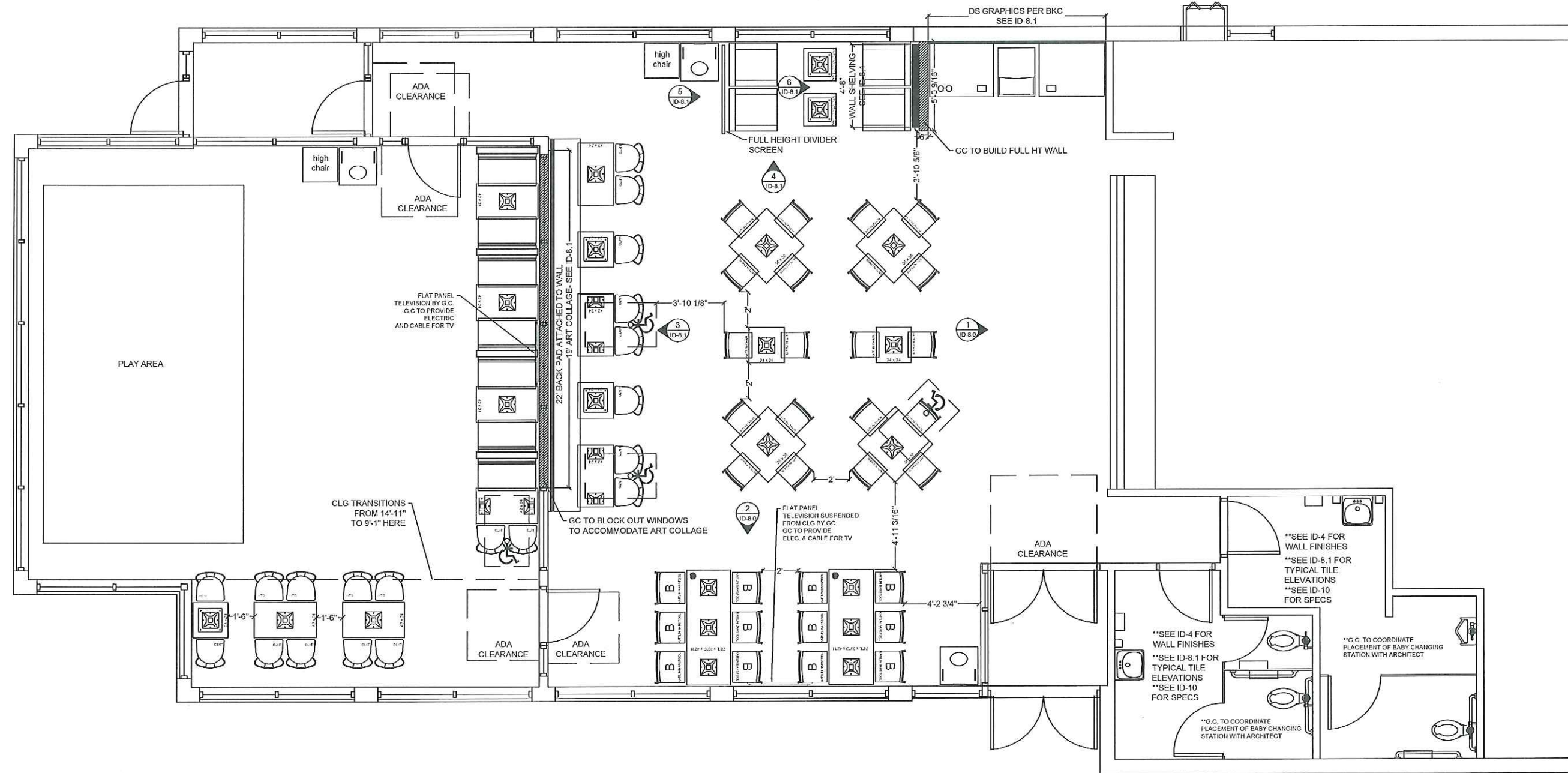
DATE: 09-10-15

REVISION HISTORY		
DATE	REV #	DESCRIPTION
09/28/15	01	BKC review & full package

DRAWING TITLE: Seating Layout

SCALE: NTS

ID-2



SEATING AND TABLE SCHEDULE	TABLE TOP STYLES	SINGLES	2 TOPS	3 TOPS	4 TOPS	5 TOPS	6 TOPS	8 TOPS	10 TOPS	12 TOPS
TABLE TOP QUANTITY		1	5	-	13	-	2	-	-	-
SEAT QUANTITY		2	10	-	52	-	12	-	-	-

ADA ACCESSIBLE SEATING: 4

TOTAL NUMBER OF SEATS: 76

ACCESSIBILITY KEY

ADA COMPLIANT MIN CLEARANCES AT TABLES

MANEUVERING CLEARANCES AT DOORS

11 x 17 SIZE FORMAT

←
GRAIN DIRECTION



125 Connell Ave
Rockdale, IL 60436

www.seating-concepts.com

T: 815.730.7980 F: 815.730.7969

This drawing contains proprietary information by Seating Concepts. Unauthorized use or reproduction is prohibited without expressed written consent of Seating Concepts.

Project Contacts:

Please contact one of the following Seating Concepts team members to address any concerns you may have:

Customer Service:
Ken Hibben 815.730.7980 x 2253
Linda Bender 815.730.7980 x 2224
Alyson Simek 815.730.7980 x 2206

Interior Design:
Samantha Uthe 815.730.7980 x 2251
Lori Manion 815.730.7980 x 2242
Iwona Letocha 815.730.7980 x 2273
Sandra Chavez: 815.730.7980 x 2221
Niha Prasad: 815.730.7980

**After delivery of decor if you have any questions please contact customer service at 815.730.7980



PROJECT: **Garden Grill**
LOCATION: Graylake, IL
ADDRESS: 159 S Rt 45
STORE #: 9926
DRAWN BY: Deborah D. Paulik
PROJECT MANAGER: Zach DePyssler
SALES MANAGER: Linda Bender

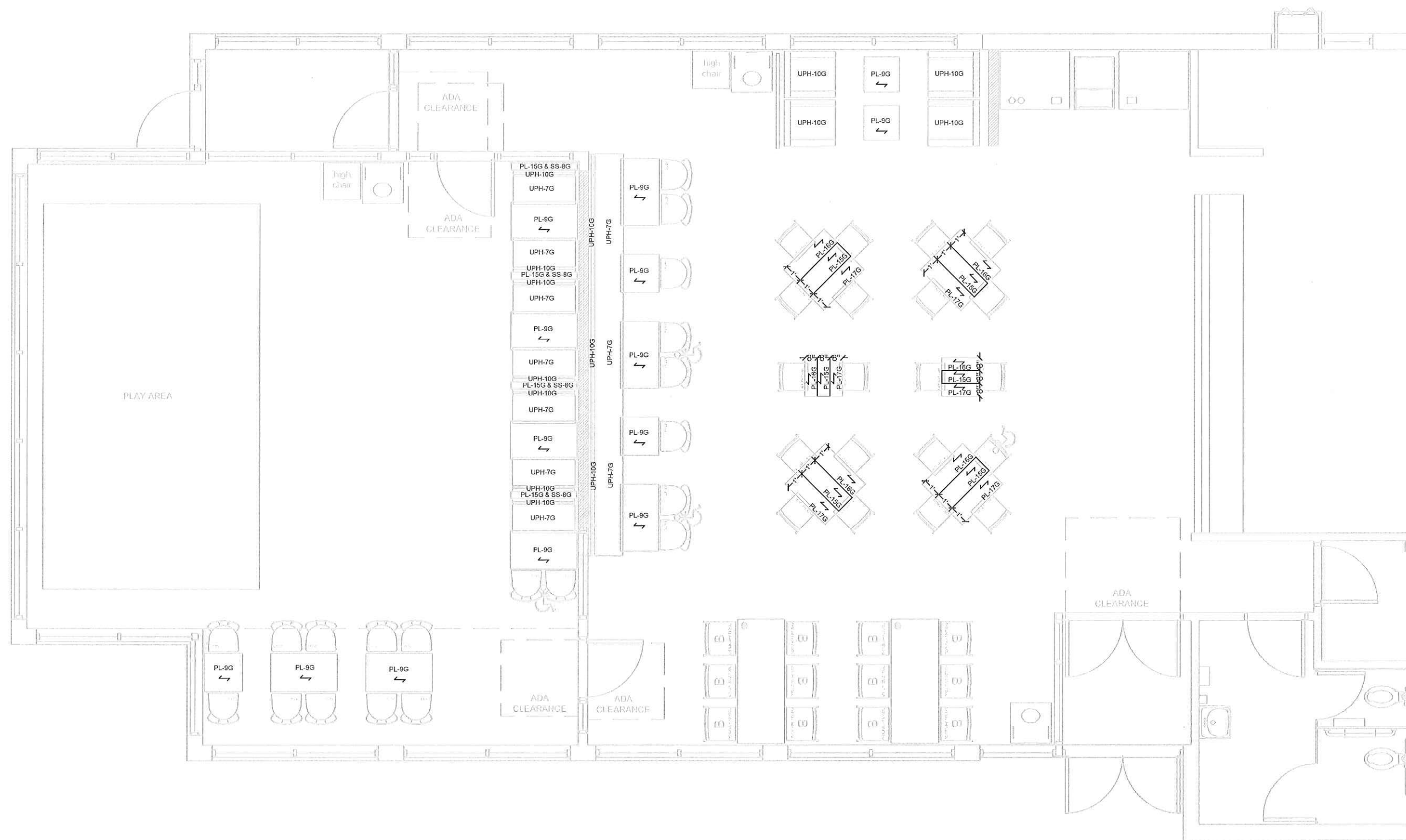
DATE: 09-10-15

REVISION HISTORY			
DATE	REV #	DESCRIPTION	INITIALS
09/28/15	01	BKC review & full package	DDP

DRAWING TITLE: Finish Layout
SCALE: 3/16" = 1'-0"

ID-3

11 x 17 SIZE FORMAT



This drawing contains proprietary information by Seating Concepts. Unauthorized use or reproduction is prohibited without expressed written consent of Seating Concepts.

Project Contacts:

Please contact one of the following Seating Concepts team members to address any concerns you may have:

Customer Service:
Ken Hibben 815.730.7980 x 2253
Linda Bender 815.730.7980 x 2224
Alyson Simek 815.730.7980 x 2206

Interior Design:
Samantha Uthe 815.730.7980 x 2251
Lori Manion 815.730.7980 x 2242
Iwona Letocha 815.730.7980 x 2273
Sandra Chavez 815.730.7980 x 2221
Niha Prasad 815.730.7980

**After delivery of decor if you have any questions please contact customer service at 815.730.7980



PROJECT:
Garden Grill

LOCATION:
Grayslake, IL

ADDRESS:
159 S Rt 45

STORE #:
9926

DRAWN BY:
Deborah D. Paulik

PROJECT MANAGER:
Zach DePyssler

SALES MANAGER:
Linda Bender

DATE:
09-10-15

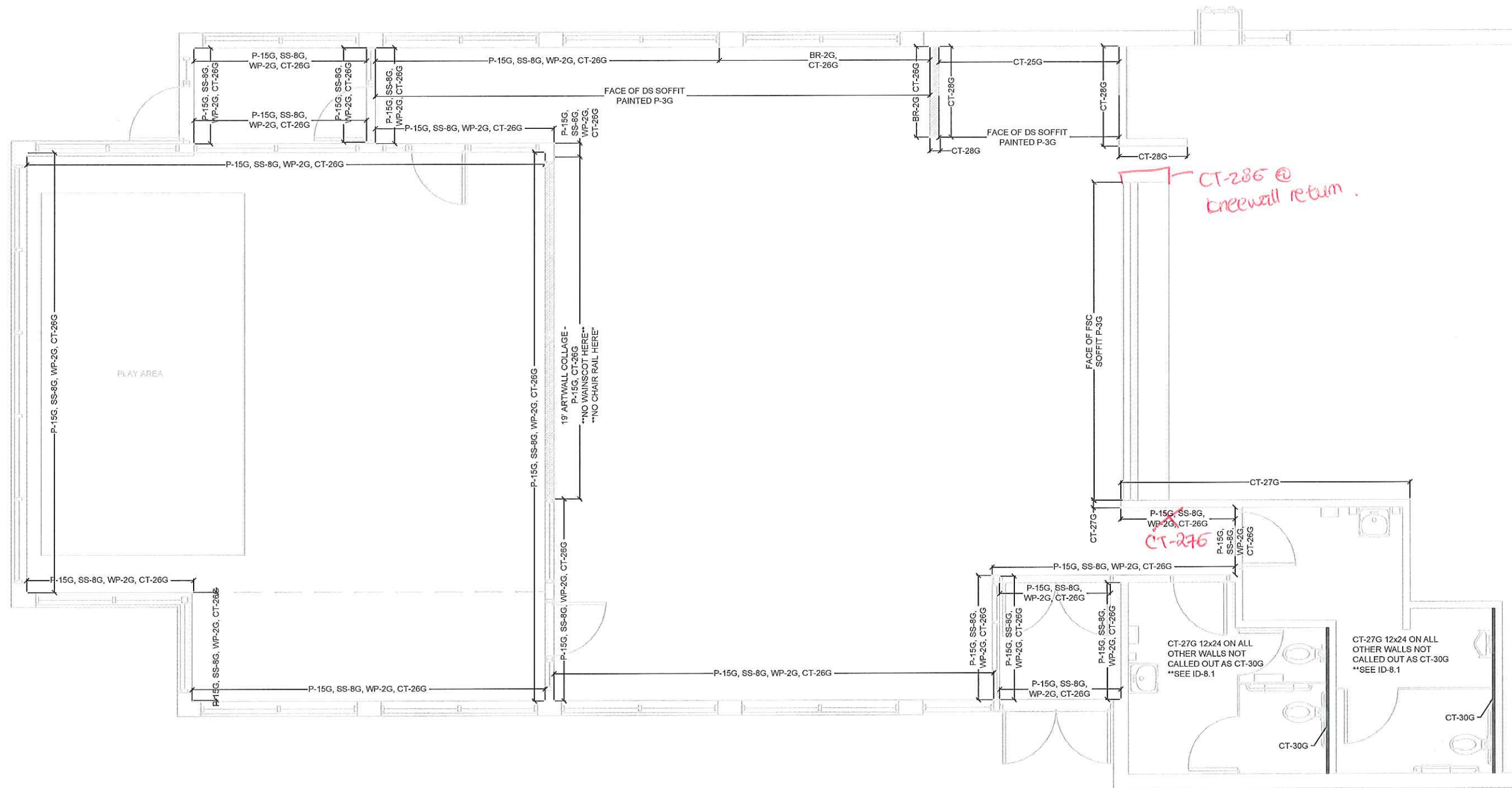
REVISION HISTORY			
DATE	REV #	DESCRIPTION	INITIALS
09/28/15	01	BKC review & full package	DDP

DRAWING TITLE:
Wall Finish Layout

SCALE:
NTS

ID-4

11 x 17 SIZE FORMAT



CT-27G

CT-27G 12x24 ON ALL OTHER WALLS NOT CALLED OUT AS CT-30G **SEE ID-8.1

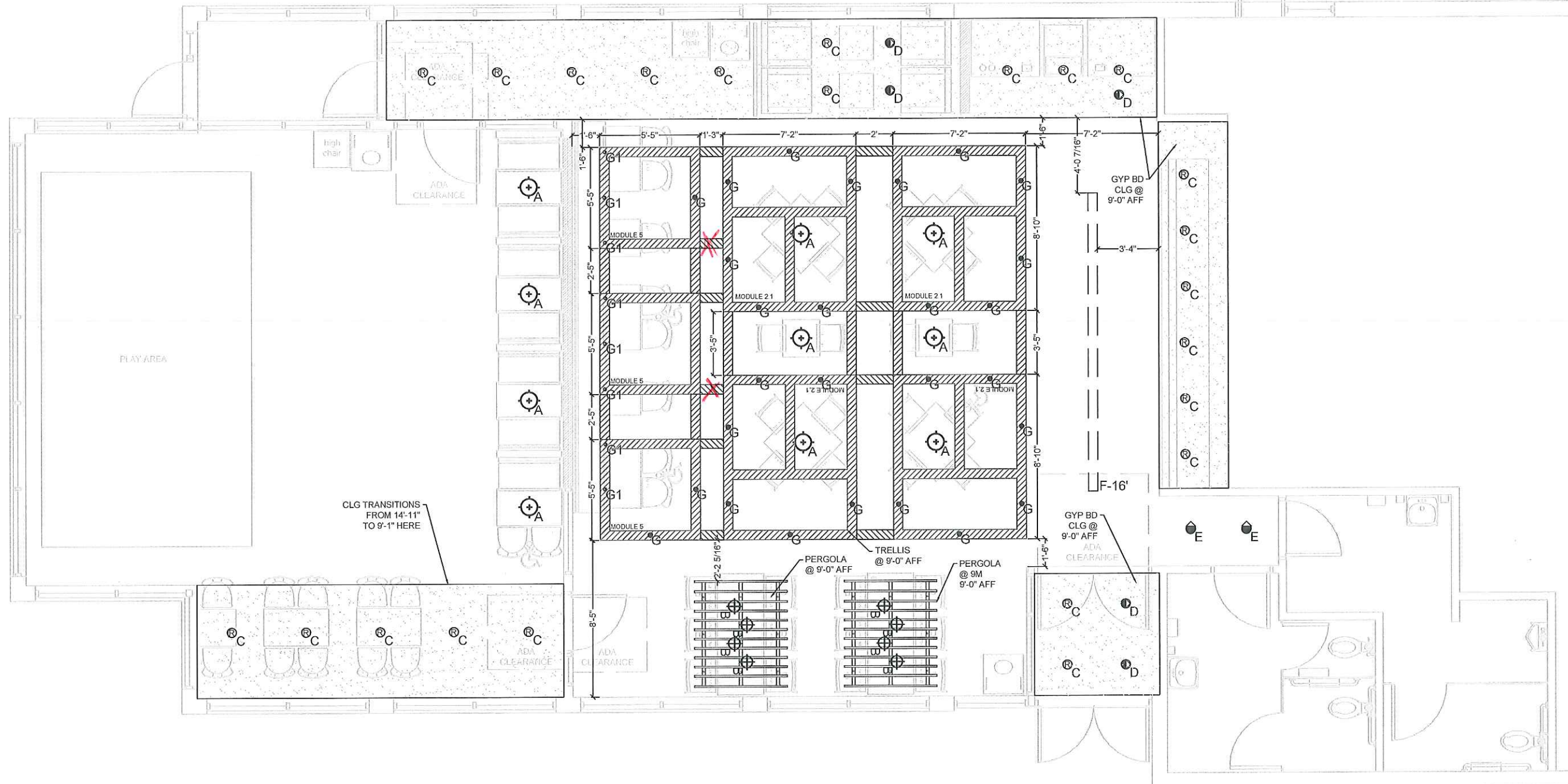
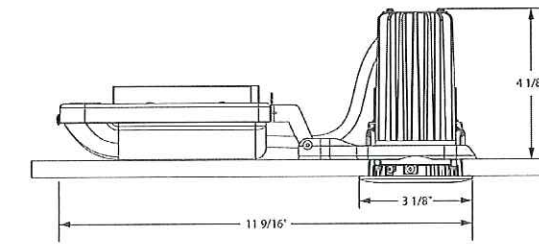
CT-27G 12x24 ON ALL OTHER WALLS NOT CALLED OUT AS CT-30G **SEE ID-8.1

LIGHTING KEY

**PENDANT LIGHTS TO BE HUNG @ 78" AFF, CENTERED OVER TABLE TOP **SEE ID-9 FOR PRODUCT DETAILS	**PENDANT LIGHTS TO BE HUNG @ VARYING HEIGHTS PLEASE REFER TO DRAWING FOR DETAILS **SEE ID-9 FOR PRODUCT DETAILS	**SEE ID-9 FOR PRODUCT DETAILS		G1 2" ADJUSTABLE GIMBAL FIXTURE BAFFLE, SATIN NICKEL FINISH		

- ** PLEASE SEE ID-11.0 FOR PERGOLA SOFFIT DETAILS**
- ** PLEASE SEE ID-11.1 FOR TRELLIS SOFFIT DETAILS**
- ** MOUNTING LOCATION OF PERGOLA SOFFIT TO BE CENTERED OVER TABLE - SEE DRAWING**
- ** GENERAL LIGHTING TO BE COORDINATED WITH ARCHITECT TO MEET REQUIRED LIGHTING LEVELS**

G- 2" LED ROUND DOWN LIGHT
#BK - CG-G, BAFFLE, SATIN NICKEL FINISH
JUNO LIGHTING GROUP



SEATING Concepts
125 Connell Ave
Rockdale, IL 60436
www.seating-concepts.com
T: 815.730.7980 F: 815.730.7969

This drawing contains proprietary information by Seating Concepts. Unauthorized use or reproduction is prohibited without expressed written consent of Seating Concepts.

Project Contacts:
Please contact one of the following Seating Concepts team members to address any concerns you may have:

Customer Service:
Ken Hibben 815.730.7980 x 2253
Linda Bender 815.730.7980 x 2224
Alyson Simek 815.730.7980 x 2206

Interior Design:
Samantha Ulhe 815.730.7980 x 2251
Lori Manion 815.730.7980 x 2242
Iwona Letocha 815.730.7980 x 2273
Sandra Chavez: 815.730.7980 x 2221
Niha Prasad: 815.730.7980

**After delivery of decor if you have any questions please contact customer service at 815.730.7980



PROJECT: Garden Grill

LOCATION: Grayslake, IL

ADDRESS: 159 S Rt 45

STORE #: 9926

DRAWN BY: Deborah D. Paulik

PROJECT MANAGER: Zach DePyssler

SALES MANAGER: Linda Bender

DATE: 09-10-15

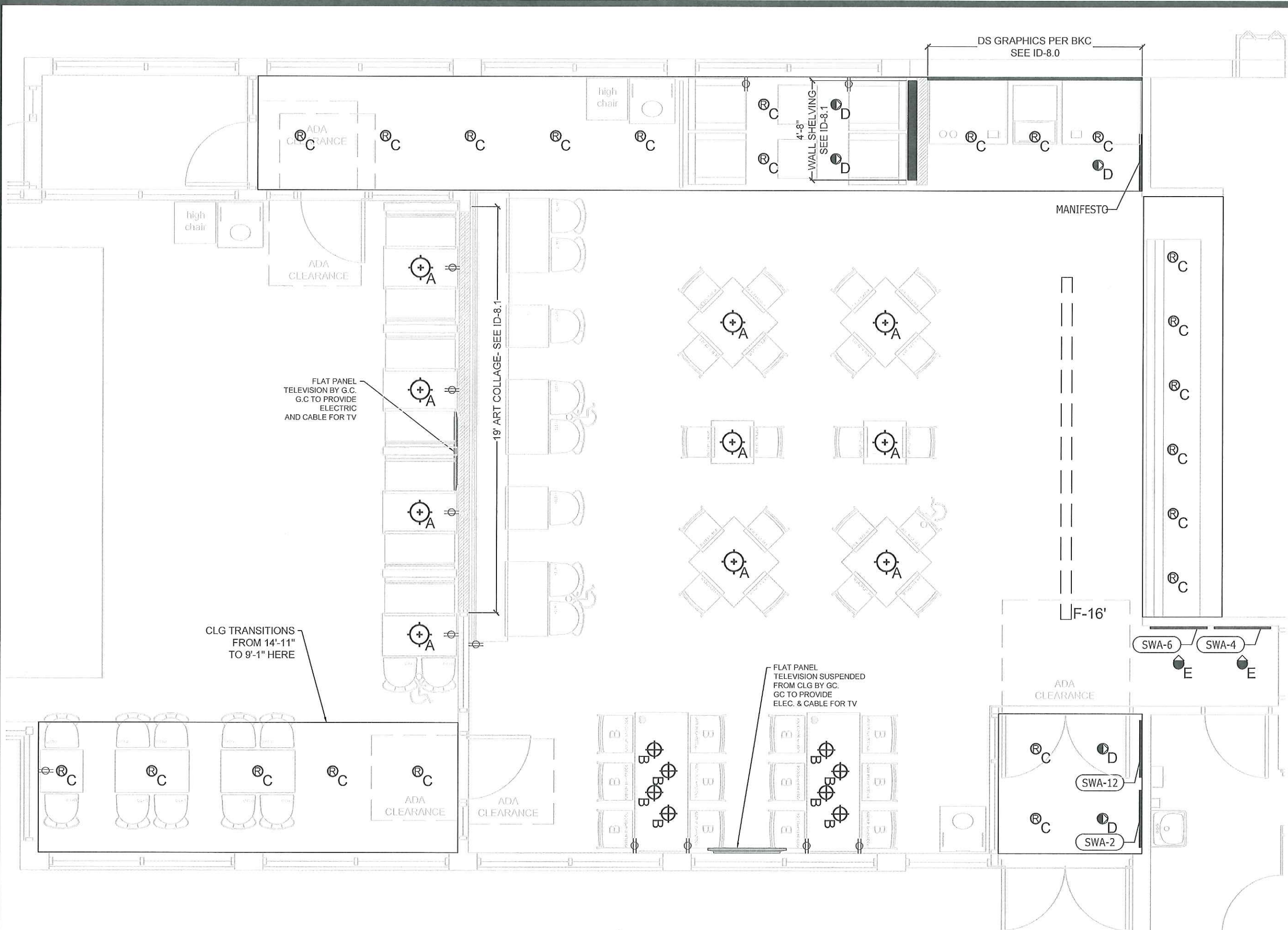
REVISION HISTORY			
DATE	REV #	DESCRIPTION	INITIALS
09/28/15	01	BKC review & full package	DDP

DRAWING TITLE: Pendant Soffit Layout

SCALE: NTS

ID-5

11 x 17 SIZE FORMAT



SEATING Concepts
 125 Connell Ave
 Rockdale, IL 60436
 www.seating-concepts.com
 T: 815.730.7980 F: 815.730.7969

This drawing contains proprietary information by Seating Concepts. Unauthorized use or reproduction is prohibited without expressed written consent of Seating Concepts.

Project Contacts:
 Please contact one of the following Seating Concepts team members to address any concerns you may have:

Customer Service:
 Ken Hibben 815.730.7980 x 2253
 Linda Bender 815.730.7980 x 2224
 Alyson Simek 815.730.7980 x 2206

Interior Design:
 Samantha Ulthe 815.730.7980 x 2251
 Lori Manion 815.730.7980 x 2242
 Iwona Letocha 815.730.7980 x 2273
 Sandra Chavez 815.730.7980 x 2221
 Niha Prasad 815.730.7980

**After delivery of decor if you have any questions please contact customer service at 815.730.7980



PROJECT: Garden Grill

LOCATION: Grayslake, IL

ADDRESS: 159 S Rt 45

STORE #: 9926

DRAWN BY: Deborah D. Paulik

PROJECT MANAGER: Zach DePysler

SALES MANAGER: Linda Bender

DATE: 09-10-15

REVISION HISTORY			
DATE	REV #	DESCRIPTION	INITIALS
09/28/15	01	BKC review & full package	DDP

DRAWING TITLE: Pendant Graphic Layout

SCALE: NTS

ID-6

11 x 17 SIZE FORMAT

This drawing contains proprietary information by Seating Concepts. Unauthorized use or reproduction is prohibited without expressed written consent of Seating Concepts.

Project Contacts:

Please contact one of the following Seating Concepts team members to address any concerns you may have:

Customer Service:
Ken Hibben 815.730.7980 x 2253
Linda Bender 815.730.7980 x 2224
Alyson Simsek 815.730.7980 x 2206

Interior Design:
Samantha Ulhe 815.730.7980 x 2251
Lori Manion 815.730.7980 x 2242
Iwona Letocha 815.730.7980 x 2273
Sandra Chavez: 815.730.7980 x 2221
Niha Prasad: 815.730.7980

**After delivery of decor if you have any questions please contact customer service at 815.730.7980



PROJECT: **Garden Grill**

LOCATION: Grayslake, IL

ADDRESS: 159 S Rt 45

STORE #: 9926

DRAWN BY: Deborah D. Paulik

PROJECT MANAGER: Zach DePysster

SALES MANAGER: Linda Bender

DATE: 09-10-15

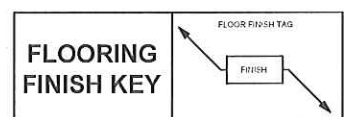
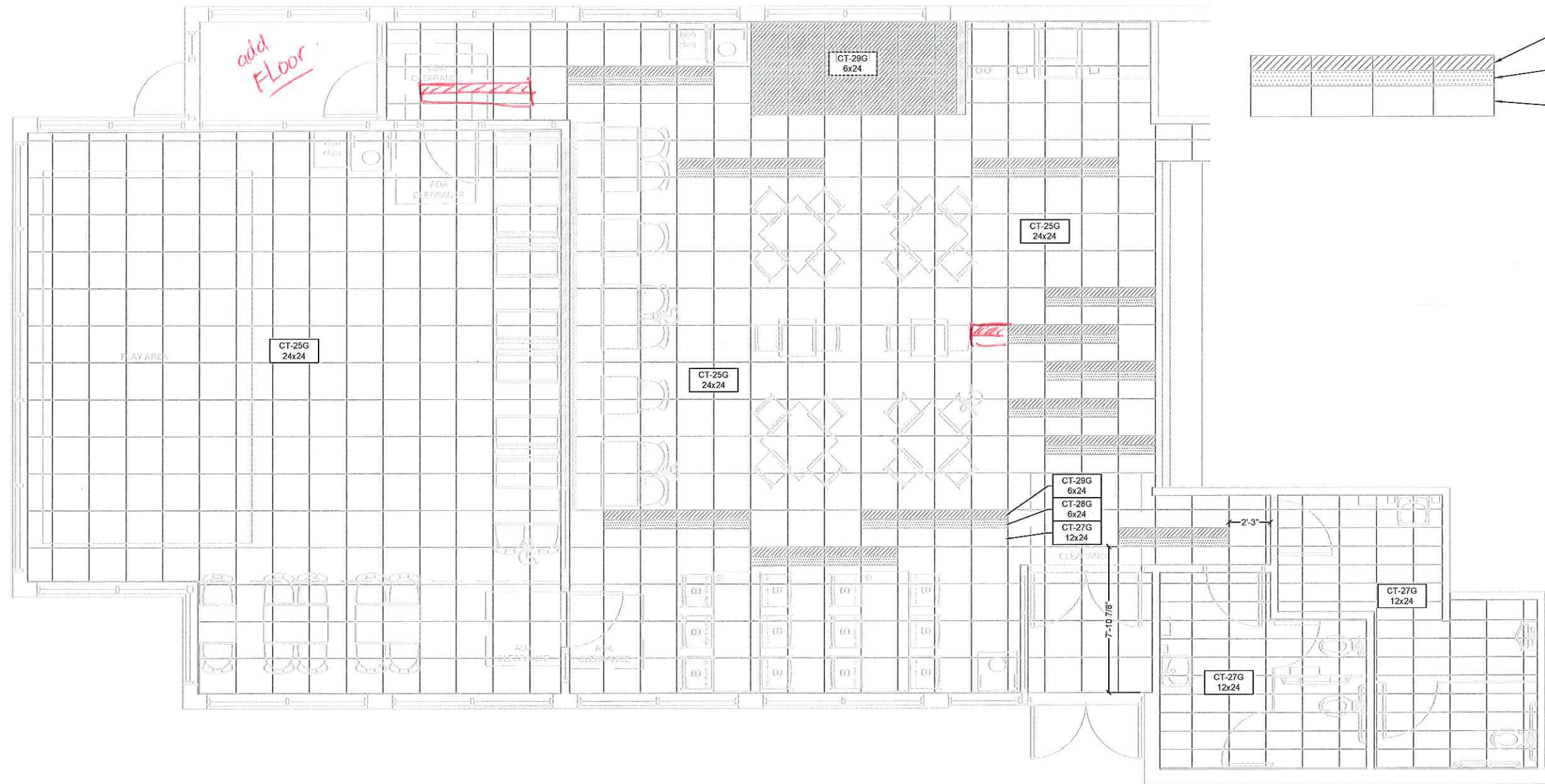
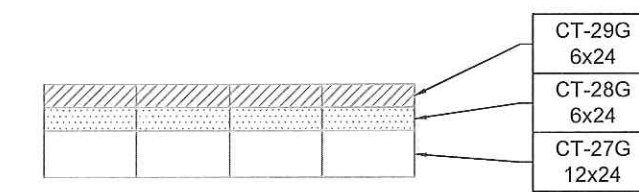
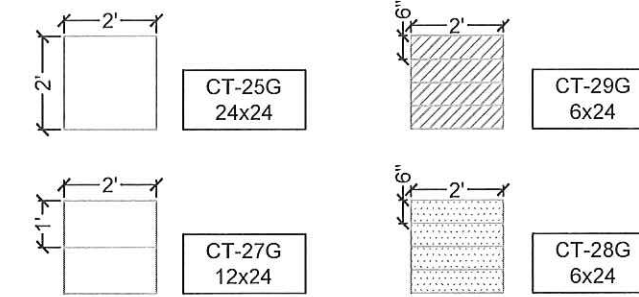
REVISION HISTORY			
DATE	REV #	DESCRIPTION	INITIALS
09/28/15	01	BKC review & full package	DDP

DRAWING TITLE: **Flooring Layout**

SCALE: NTS

ID-7

11 x 17 SIZE FORMAT



This drawing contains proprietary information by Seating Concepts. Unauthorized use or reproduction is prohibited without expressed written consent of Seating Concepts.

Project Contacts:

Please contact one of the following Seating Concepts team members to address any concerns you may have:

Customer Service:
Ken Hibben 815.730.7980 x 2253
Linda Bender 815.730.7980 x 2224
Alyson Simek 815.730.7980 x 2206

Interior Design:
Samantha Ulthe 815.730.7980 x 2251
Lori Manion 815.730.7980 x 2242
Iwona Letocha 815.730.7980 x 2273
Sandra Chavez: 815.730.7980 x 2221
Niha Prasad: 815.730.7980

**After delivery of decor if you have any questions please contact customer service at 815.730.7980



PROJECT: **Garden Grill**

LOCATION: Grayslake, IL

ADDRESS: 159 S Rt 45

STORE #: 9926

DRAWN BY: Deborah D. Paulik

PROJECT MANAGER: Zach DePyssler

SALES MANAGER: Linda Bender

DATE: 09-10-15

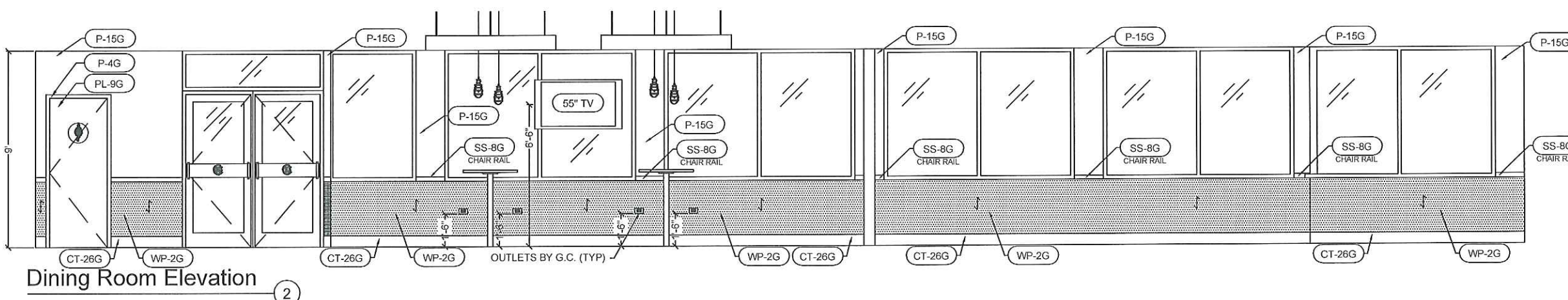
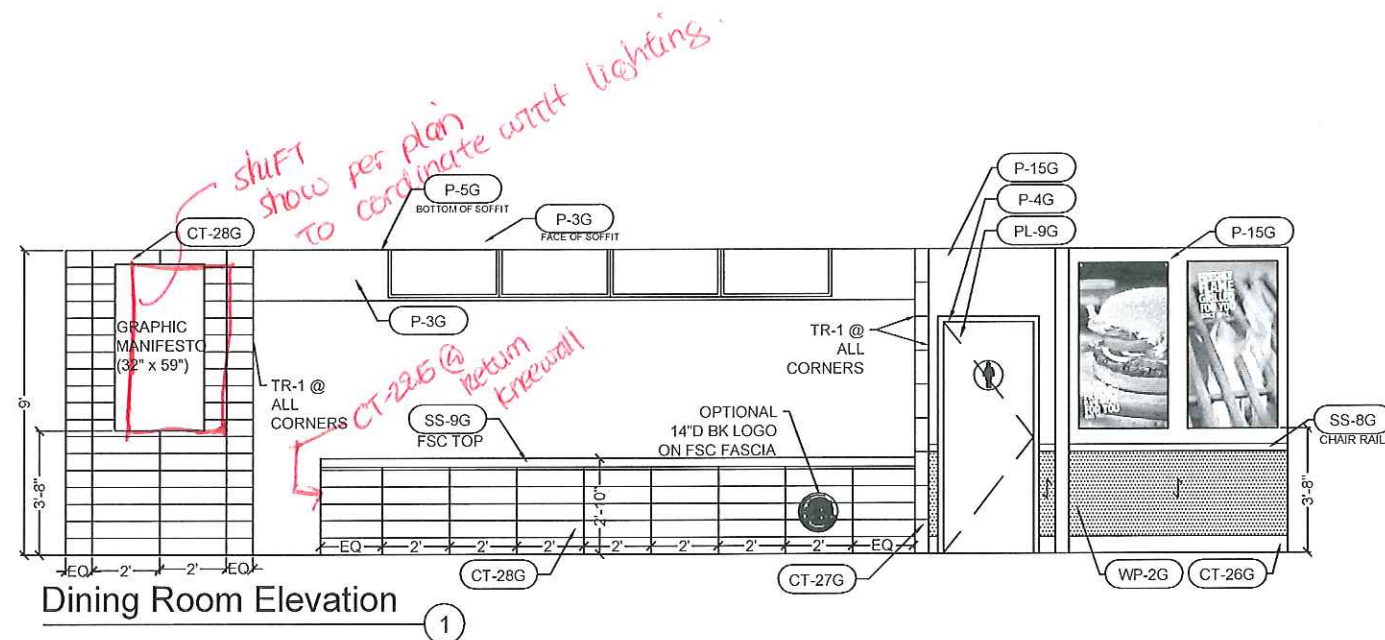
REVISION HISTORY			
DATE	REV #	DESCRIPTION	INITIALS
09/28/15	01	BKC review & full package	DDP

DRAWING TITLE: Elevations

SCALE: NTS

ID-8.0

11 x 17 SIZE FORMAT



This drawing contains proprietary information by Seating Concepts. Unauthorized use or reproduction is prohibited without expressed written consent of Seating Concepts.

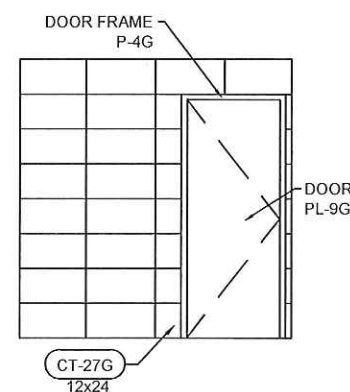
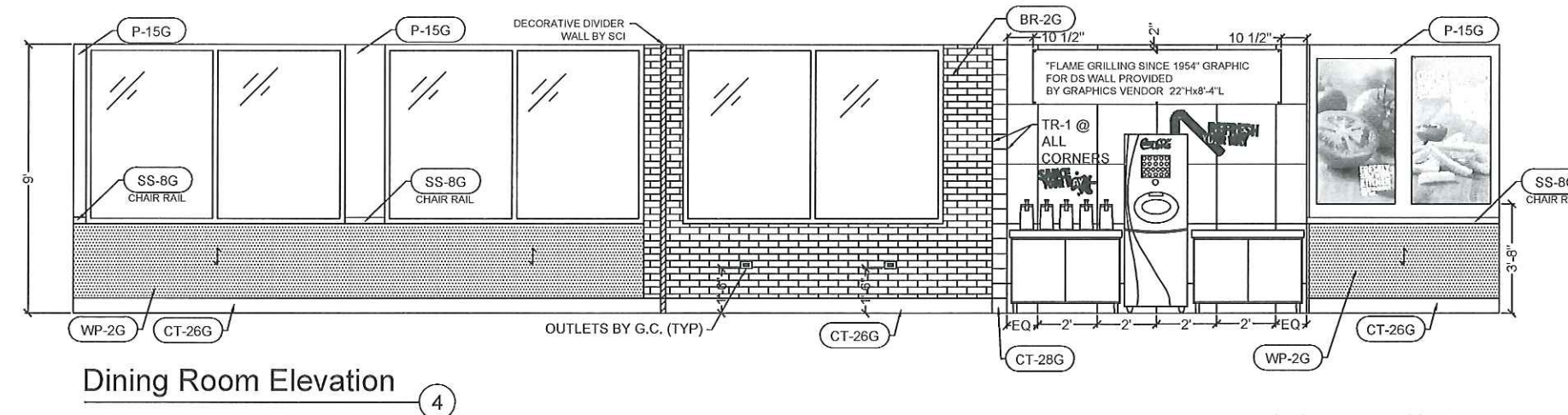
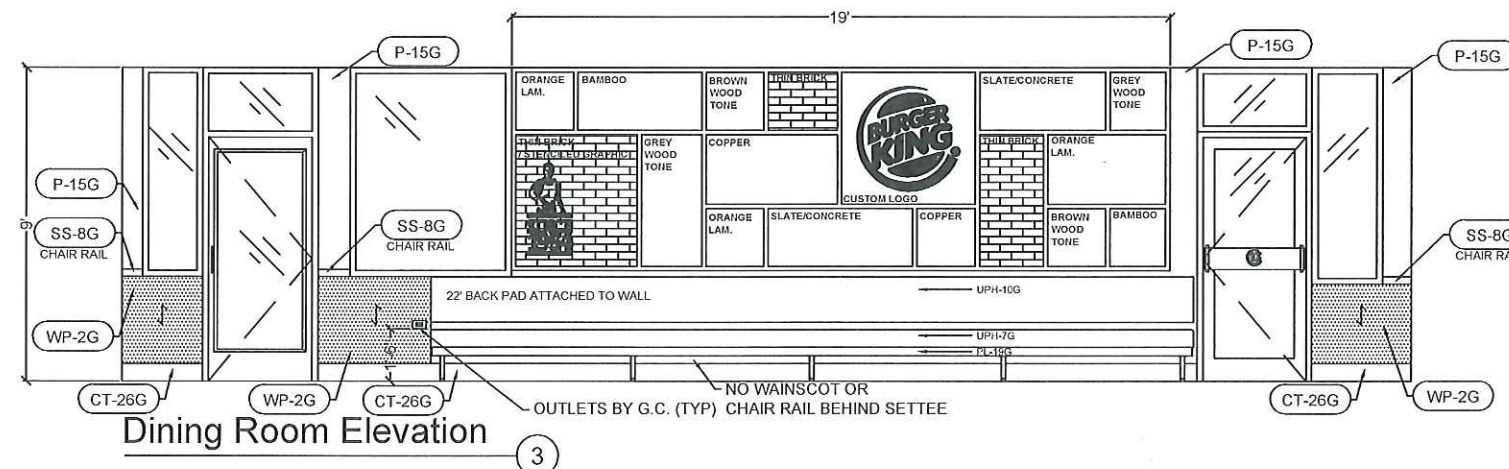
Project Contacts:

Please contact one of the following Seating Concepts team members to address any concerns you may have:

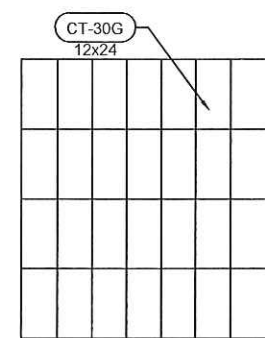
Customer Service:
Ken Hibben 815.730.7980 x 2253
Linda Bender 815.730.7980 x 2224
Alyson Simek 815.730.7980 x 2206

Interior Design:
Samantha Ulte 815.730.7980 x 2251
Lori Manion 815.730.7980 x 2242
Iwona Letocha 815.730.7980 x 2273
Sandra Chavez: 815.730.7980 x 2221
Niha Prasad: 815.730.7980

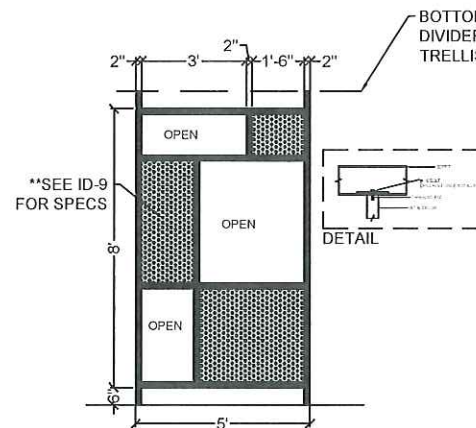
**After delivery of decor if you have any questions please contact customer service at 815.730.7980



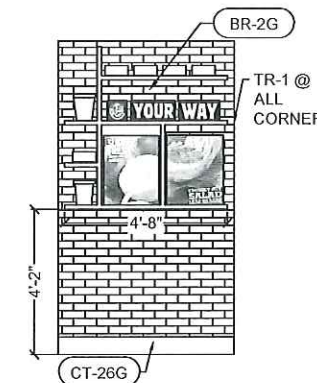
CT-27G Bathroom Elevation
TYPICAL TILE INSTALLATION ELEVATION
NO BASE TILE, WALL TILE IS INSTALLED TO THE FLOOR



CT-30L Bathroom Elevation
TYPICAL TILE INSTALLATION ELEVATION
NO BASE TILE, WALL TILE IS INSTALLED TO THE FLOOR



Dining Room Elevation 5



Dining Room Elevation 6

PROJECT:	Garden Grill
LOCATION:	Grayslake, IL
ADDRESS:	159 S Rt 45
STORE #:	9926
DRAWN BY:	Deborah D. Paulik
PROJECT MANAGER:	Zach DePyssler
SALES MANAGER:	Linda Bender

DATE:	09-10-15		
REVISION HISTORY			
DATE	REV #	DESCRIPTION	INITIALS
09/28/15	01	BKC review & full package	DDP

DRAWING TITLE: Elevations
SCALE: 3/16" = 1'-0"

ID-8.1

11 x 17 SIZE FORMAT

SEATING CONCEPTS SPECIFICATIONS

SEATING

PERIMETER BOOTHS & SETTEE

STYLE: 40" GARDEN GRILL
 BACK PAD: UPH-10G MAHARAM - LARIAT - OYSTER 007
 SEAT PAD: UPH-7G MAHARAM - LARIAT - TAUPE 010
 WALL LAMINATE: PL-15G NEVAMAR - MACCHIATO WF0011T
 BASE BOX LAMINATE: PL-19G PIONITE - BLACK SE101S
 SOLID SURFACE TOP CAP: SS-8G CORIAN - DEEP NOCTURNE 1/2" THICK
 POWDERCOATED LEGS: SHERWIN WILLIAMS BLACK MATTE PBS4-C0009-C50
 BOOTH WALL EDGING: REHAU FLEX EDGE BAND - 15/16" x 3mm MATCHES NEVAMAR - MACCHIATO WF0011
 BASE BOX EDGING: REHAU MAGIC 3D EDGE BAND - 23MM x 2MM - BLACK

LOUNGE CHAIR

CHAIR STYLE: GARDEN GRILL
 UPHOLSTERY: UPH-10G MAHARAM - LARIAT - OYSTER 007
 POWDERCOATED LEGS: SHERWIN WILLIAMS BLACK MATTE PBS4-C0009-C50

OCCASIONAL TABLE

EDGE STYLE: SERIES S200 EDGE BAND
 LAMINATE: PL-9G NEVAMAR - VENERABLE OLD OAK WK0017T
 PREMIUM TABLE EDGE: REHAU - MULTIPLEX #592E
 16"x16" FREE STANDING SQUARE BASES: SHERWIN WILLIAMS BLACK MATTE PBS4-C0009-C50

PERIMETER TABLE TOPS

EDGE STYLE: SERIES S200 EDGE BAND
 LAMINATE: PL-9G NEVAMAR - VENERABLE OLD OAK WK0017T
 PREMIUM TABLE EDGE: REHAU - MULTIPLEX #592E
 16"x16" FREE STANDING SQUARE BASES: SHERWIN WILLIAMS BLACK MATTE PBS4-C0009-C50
 3" GROUT-IN SQUARE POSTS: SHERWIN WILLIAMS BLACK MATTE PBS4-C0009-C50

TRI-COLOR TABLES IN CENTER OF RESTAURANT

EDGE STYLE: SERIES S200 EDGE BAND
 12" LAMINATE: PL-16G NEVAMAR - SANTA ROSA PLUM TREE WZ2001T
 12" LAMINATE: PL-15G NEVAMAR - MACCHIATO WF0011T
 12" LAMINATE: PL-17G NEVAMAR - CARMEL MACCHIATO WF0013T
 PREMIUM TABLE EDGE: REHAU - MULTIPLEX #592E
 3" GROUT-IN SQUARE POSTS: SHERWIN WILLIAMS BLACK MATTE PBS4-C0009-C50

TRI-COLOR TABLES IN CENTER OF RESTAURANT

EDGE STYLE: SERIES S200 EDGE BAND
 8" LAMINATE: PL-16G NEVAMAR - SANTA ROSA PLUM TREE WZ2001T
 8" LAMINATE: PL-15G NEVAMAR - MACCHIATO WF0011T
 8" LAMINATE: PL-17G NEVAMAR - CARMEL MACCHIATO WF0013T
 PREMIUM TABLE EDGE: REHAU - MULTIPLEX #592E
 3" GROUT-IN SQUARE POSTS: SHERWIN WILLIAMS BLACK MATTE PBS4-C0009-C50

BRANDED WOOD COMMUNITY TABLE

-SOLID WOOD TOP
 NAUTICAL FURNISHINGS, LLC,
 CONTACT: MICHAEL HOG LUND (954) 771-1100
 MHOGLUND@NAUTICALFURNISHINGS.COM
 BASES BY SCI: 3" GROUT-IN SQUARE POSTS: SHERWIN WILLIAMS BLACK MATTE PBS4-C0009-C50
 PURSE HOOKS BY SCI, SENT LOOSE. SEE ID-11.0 FOR DETAILS: ANTIQUE BRONZE
 PURSE HOOKS ATTACHED TO UNDERSIDE OF TABLE TOP

MILLWORK

TRASH ENCLOSURE

STYLE: CUSTOM
 BASE CABINET FINISH: PL-9G NEVAMAR - VENERABLE OLD OAK WK0017T
 SOLID SURFACE TOP: SS-8G CORIAN - DEEP NOCTURNE
 BLACK T-MOLD EDGING
 'FEED ME' GRAPHIC BY GRAPHICS VENDOR

PERGOLA SOFFIT

ONE SIDE LAMINATED: PIONITE (FACING DINING ROOM) - SUGAR MAPLE II SUEDE WM115
 ONE SIDE LAMINATED: (FACING FRONT OF STORE) PL-18G - ABET LAMINATI - 432 SEI
 EDGES: CLEAR COATED
 SUPPORT SYSTEM: TO BE POWDER COATED TO MATCH PAINT - P-6G SLATE BROWN
 SEE ID-11.0 FOR LAMINATE DETAILS

TRELLIS SOFFIT

SURF (X) OMNOVA SOLUTIONS - ALMOND CHERRY 12 MIL
 SUPPORT SYSTEM: TO BE POWDER COATED TO MATCH PAINT - P-6G SLATE BROWN

WALL SHELVES @ LOUNGE AREA

WS-1G - BALTIC BIRCH - 1-1/2" THICK
 CLEAR COATED
 CONCEALED SHELVING SUPPORTS
 ARTWORK BY MOSS RETAIL
 SQUARE & RECTANGULAR CONTAINERS - NAUTICAL FURNISHINGS, LLC.
 FOR FAUX SUCCULANT PLANTS (NO FLOWERS)
 WALL SHELVES LOCATED ON FAUX BRICK WALL COVERING
 RECOMMENDED G.C. TO ADHERE FAUX BRICK TO PLYWOOD SUBSTRATE

FRONT SERVICE COUNTER TOP

SOLID SURFACE TOP: SS-9G AVONITE - F1-7885 BK SMOKE
 3" FRONT DROP

FULL HEIGHT DIVIDER SCREEN

POWDER COATED FRAME: SHERWIN WILLIAMS BLACK MATTE PBS4-C0009-C50
 PERFORATED METAL PANEL 16G: TIGER DRYLAC - 038/60080 STATUARY BRONZE

METAL CHAIRS

CHAIR STYLE: LIXTO IN BRONZE
 MODEL #: TCCH-74522-BR
 TRANS-CANADA INDUSTRIES
 CONTACT: 1-800-361-8552
 INFO@TRANS-CAN.COM

WOOD CHAIRS

CHAIR STYLE: KAITLIN WOOD CHAIR
 TWENTY FOUR 7 GLOBAL SOLUTIONS, INC.
 CONTACT: BARRY WOON (323) 319-2722
 BARRY.WOON@TWENTYFOUR7-GLOBAL.COM

WOOD BARSTOOLS

CHAIR STYLE: KAITLIN WOOD BARSTOOL
 TWENTY FOUR 7 GLOBAL SOLUTIONS, INC.
 CONTACT: BARRY WOON (323) 319-2722
 BARRY.WOON@TWENTYFOUR7-GLOBAL.COM

LIGHTING

SHAKER PENDANT

A- FAUX CAST ALUMINUM
 LEDS C4, #BK-GG-A,
 NAUTICAL FURNISHINGS, LLC,
 CONTACT: MICHAEL HOG LUND (954) 771-1100
 MHOGLUND@NAUTICALFURNISHINGS.COM

CAGE PENDANT

B- ANTIQUE BRONZE FINISH
 BDL, #BK-CG-B
 NAUTICAL FURNISHINGS, LLC,
 CONTACT: MICHAEL HOG LUND (954) 771-1100
 MHOGLUND@NAUTICALFURNISHINGS.COM

ARTWORK

ART WALL COLLAGE

NAUTICAL FURNISHINGS, LLC,
 CONTACT: MICHAEL HOG LUND (954) 771-1100
 MHOGLUND@NAUTICALFURNISHINGS.COM
 4-6 WEEK LEAD TIME
 TO BE ADHERED TO PLYWOOD SUBSTRATE BY G.C.

BRANDED WOOD

DOOR HANDLE

2 PER DOOR - INTERIOR / EXTERIOR
 EXTERIOR
 NAUTICAL FURNISHINGS, LLC,
 CONTACT: MICHAEL HOG LUND (954) 771-1100
 MHOGLUND@NAUTICALFURNISHINGS.COM
 **G.C. TO COORDINATE WITH NAUTICAL
 FURNISHINGS FOR DOOR FRAME FINISH & SIZE
 OF DOOR HANDLE. G.C. TO PROVIDE PHOTOS
 AND TO CONFIRM IF EXISTING CONDITION OF
 DOOR WILL ALLOW FOR INSTALLATION OF
 DOOR HANDLE. DOOR HANDLE IS NOT
 REQUIRED IF EXISTING ENTRY DOOR DOES
 NOT ALLOW INSTALLATION**

GENERAL CONTRACTOR SPECIFICATIONS

FRONT SERVICE COUNTER FASCIA

CT-28G - GRANITIE FIANDRE - LARCH US - FRENCH WOOD - IRG 0624123 6"x24"
 TILE CONTACT: JAN DETER (714) 309-9551
 GROUT: GR-17G, STACK BOND
 SAND BLASTED BURGER KING LOGO BY NAUTICAL FURNISHINGS

WAINSCOT

WP-2G GENERAL WAINSCOT - NEVAMAR - MACCHIATO WF0011T
 LAMINATE ADHERED TO 1/4" PVC SUBSTRATE WITH Z LOCK VERTICAL JOINTS
 CONTACT: RESTAURANT INTERIORS (786) 253-4755

CHAIR RAIL & WINDOW SILLS

SS-8G CORIAN - DEEP NOCTURNE
 CONTACT: RANDY HOUSTON (404)-274-3047

DRINK STATION

STAINLESS STEEL TOP 3" FRONT DROP
 LAMINATE DOORS: PL-18G - ABET LAMINATI - 432 SEI
 SUPPLIED BY KES

LIGHTING

RECESSED DOWN LIGHT @ DRYWALL CEILING

C- 6" DOWN LIGHT
 STYLE: CR6-800L-35K-120V-GU24-CT6AW-RC6-12W-GU24
 3500K
 CREE LIGHTING, STEVE FRIEDMAN (2620 504-5479, steve.friedman@cree.com)

RECESSED WALL WASHER @ DRYWALL CEILING

D- 6" ADJUSTABLE WALL WASH LED DOWN LIGHT
 STYLE: LE6-GU24-RC6-12W-GU24
 2700K, WHITE FINISH
 CREE LIGHTING, STEVE FRIEDMAN (2620 504-5479, steve.friedman@cree.com)

SPOT LIGHTING ON TRACK SYSTEM @ OPEN TRUSS CEILING

E- #EKLPU4RW-EKAUCW-LP208AF3 (FIXTURE)
 (8' TRACK) EK1T8, (4' TRACK) EK1T4
 (FEED) EKC261W, (CONNECTOR) EKC231W

RECTANGULAR DOWN LIGHT @ FSC AREA - OPEN TRUSS

F- #BK-GG-F PROFILE 100 DN LED LIGHT,
 16' ALUMINUM FINISH
 FLUXWERX

RECESSED DOWN LIGHT @ TRELIS SOFFIT

G- 2" LED ROUND DOWN LIGHT
 #BK - CG-G, BAFFLE, SATIN NICKEL FINISH
 JUNO LIGHTING GROUP

RECESSED DOWN LIGHT @ TRELIS SOFFIT

G1- 2" LED
 BAFFLE, SATIN NICKEL FINISH
 WITH ADJUSTABLE GIMBAL
 JUNO LIGHTING GROUP

ARTWORK

MANIFESTO

WALL SHELVING ART, FOOD AUTHORITY

GRAPHIC VENDORS:
 Moss Retail, Contact: Rob Lorts (773) 435-7655
 OR
 VGS, INC.

UNISTRUT FOR HANGING

TRELLIS & PERGOLA SOFFITS

SUPPORT SYSTEM: P-6G SLATE BROWN
 TO BE INSTALLED & PURCHASED BY G.C.
 PRIOR TO DECOR SHIPPING

BABY CHANGING STATION

KOALA KARE
 MODEL: KB 110-SSRE
 FINISH: STAINLESS STEEL RECESS
 37"W x 23"H x 15" (EXTENSION'S OPENING)
 MOUNTING HEIGHT: 34" AFF

OPTIONAL:
 KOALA KARE
 MODEL: KB200-05
 FINISH: POLYPROPYLENE AND UNIBODY STEEL CHASSIS
 MOUNT HORIZONTAL BABY CHANGING STATION
 MOUNTING HEIGHT: 35AFF



125 Connell Ave
 Rockdale, IL 60436

www.seating-concepts.com

T: 815.730.7980 F: 815.730.7969

This drawing contains proprietary information by Seating Concepts. Unauthorized use or reproduction is prohibited without expressed written consent of Seating Concepts.

Project Contacts:

Please contact one of the following Seating Concepts team members to address any concerns you may have:

Customer Service:
 Ken Hibben 815.730.7980 x 2253
 Linda Bender 815.730.7980 x 2224
 Alyson Simek 815.730.7980 x 2206

Interior Design:
 Samantha Ulte 815.730.7980 x 2251
 Lori Manion 815.730.7980 x 2242
 Ivona Letocha 815.730.7980 x 2273
 Sandra Chavez: 815.730.7980 x 2221
 Niha Prasad: 815.730.7980

**After delivery of decor if you have any questions please contact customer service at 815.730.7980



PROJECT:	Garden Grill
LOCATION:	Grayslake, IL
ADDRESS:	159 S Rt 45
STORE #:	9926
DRAWN BY:	Deborah D. Paulik
PROJECT MANAGER:	Zach DePyssler
SALES MANAGER:	Linda Bender

DATE:	09-10-15		
REVISION HISTORY			
DATE	REV #	DESCRIPTION	INITIALS
09/28/15	01	BKC review & full package	DDP

DRAWING TITLE:	Specifications
SCALE:	NTS
ID-9	

11 x 17 SIZE FORMAT

NOTE: RECOMMENDED ITEMS MAY HAVE LONG LEAD TIMES OR LIMITED AVAILABILITY. GC IS RESPONSIBLE FOR ORDERING ITEMS WITH SUFFICIENT TIME FRAME TO ENSURE DELIVERY ON SCHEDULE. ALTERNATE FINISHES MAY BE AVAILABLE.

5.7.2015		INTERIOR MATERIALS & FINISH SCHEDULE **TO BE USED WITH 20/20 GARDEN GRILL GUIDELINES DOC.					
CODE	MATERIAL	LOCATION	MANUFACTURER	PRODUCT	DESCRIPTION COLOR	DIMENSION	ADDITIONAL INFORMATION
MAIN FIXTURE AND PRODUCT FINISHES							
UPH-7G	UPHOLSTERY	SEATING SEATS	MAHARAM	LARIAT, 440401	O10 TAUPE		CONTACT: ZANDY ROODN (404) 909-8444 zroodn@maharam.com
UPH-10C	UPHOLSTERY	LOUNGE SEATING-BACK PADS		LARIAT, 440401	O07 OYSTER		LOCAL DISTRIBUTOR
WS-1G	WOOD STAIN	SHELVING, LOUNGE AREA		BALTIC BIRCH	CLEAR COATED		LOCAL DISTRIBUTOR
WS-3G	WOOD STAIN	TRELLIS SOFFIT	PER VENDOR	STAINED POPLAR WOOD	MATCH NEVAMAR, SANTA ROSA PLUM TREE		LOCAL DISTRIBUTOR
WP-2G	WALL PANEL SYSTEM	GENERAL WAINSCOTING		WF0011T, PVC Z-LOCK	MACCHIATO		*COMMERCIAL INTERIORS MFG, AUSTIN HOLAN 706.253.4761 Austin@cmglbz.com*
PL-9G	PLASTIC LAMINATE	TABLES, DOORS, TRASH UNIT	NEVAMAR	WK0017T	VENERABLE OLD OAK		CONTACT: CATHLEEN ANDREOLA @ PANOLAM INDUSTRIES (407) 415-0443 cathleen_andreola@panolam.com
PL-15G	PLASTIC LAMINATE	TABLES /BOOTHIS		WF0011T	MACCHIATO		
PL-16G	PLASTIC LAMINATE	TABLES		WZ2001T	SANTA ROSA PLUM TREE		
PL-17G	PLASTIC LAMINATE	TABLES		WF0013-T	CARMEL MACCHIATO SUEDE		
PL-18G	PLASTIC LAMINATE	BEVERAGE STATION CABINET DOORS / INNER SIDE OF WOOD SLAT PERGOLA	ABET LAMINATI	432 SEI	TERRA OCRA		LOCAL DISTRIBUTOR: (800) 228-2238
PL-19G	PLASTIC LAMINATE	BOOTH BASE	PIONITE		BLACK		CONTACT: CATHLEEN ANDREOLA @ PANOLAM INDUSTRIES (407) 415-0443 cathleen_andreola@panolam.com
MF-1G	METAL FINISH, POWDER COATED	FIXTURES AS NOTED	PER VENDOR		BLACKENED STEEL		PER VENDOR
MF-2G	METAL FINISH, ALUMINUM	FIXTURES AS NOTED	PER VENDOR		FLAT BLACK ANODIZED		PER VENDOR
MF-3G	METAL FINISH, ALUMINUM	SLAT PERGOLA SUPPORTS	PER VENDOR	POWDER COATED BROWN	MATCH TO P-6G (SLATE BROWN)		PER VENDOR
MF-4G	STAINLESS STEEL, POWDER COATED	BEVERAGE STATION CABINET DOOR FRONTS	H&K International	POWDER COATED PRSS 6231OPT_Batch: X-12084	MATCH TO P-18G (TERRA OCRA)		*CONTACT: Heather Valverde @ H&K International (214) 818-3521 Heather.Valverde@hki.com*
MEB-1G	MULTIPLEX EDGE BAND	TABLES (STANDARD TABLE THICKNESS)	REHAU	PREMIUM EDGE BAND # 592E MULTIPLEX		1-5/16" THICK	CONTACT: MEG HUIZENGA (616) 686-7932 meg.huizenga.com@rehaul.com
MEB-2G	MULTIPLEX EDGE BAND	BOOTH EDGE PROTECTION		NEVAMAR MACCHIATO CP41002	MATCH PL-15G (MACCHIATO)		
SL-1G	SURF(X) 3D LAMINATES	TRELLIS SOFFIT	OMNOVA SOLUTIONS	SURF(X) 3D LAMINATES ON SUBSTRAIT	ALMOND CHERRY	12 MIL (.012)	CONTACT: DUSTIN SMITH (314) 489-2374 dustin.smith@OMNOVA.com
SS-8G	SOLID SURFACE	FIXTURES AS NOTED TOP CAP/ SILL	CORIAN		DEEP NOCTURNE	30" x 144" x 1/2" THICKNESS	CONTACT: RANDY HOUSTON (404) 274-3047 randy.houston@dupont.com
SS-9G	SOLID SURFACE	FSC /BEVERAGE-COUNTER TOP (ALTERNATE TO MS-1G)	AVONITE	CUSTOM COLOR	#2571	30" x 144" x 1/2" THICKNESS	*CONTACT: DONALD C. LUTHER Jr. 772-217-0707 dluther@aristechsurfaces.com
MS-1G	MANUFACTURED STONE	FSC /BEVERAGE-COUNTER TOP	SILESTONE	QUARTZ, VOLCANO TEXTURE	GREY EXPO	3/4" THICK	CONTACT: PATRICIA HOFFMAN @ FORMAS (305)756-2000 patricia@formasinc.com
TR-1	EDGE PROFILE	OUTSIDE CORNERS OF WALL TILE	SCHLUTER	QUADEC Q100AT	SATIN NICKEL ANODIZED ALUMINUM	3/8"	CONTACT: EARL MAICUS @ SCHLUTER SYSTEMS 800-287-0817 emaicus@schluter.com NOTE: S.C. TO COORDINATE HEIGHT AS REQUIRED BASED UPON TILE THICKNESS AND SETTING SYSTEM.
TR-2	COVE BASE PROFILE	GENERAL RESTROOM		DILEX-AHK100AT	SATIN NICKEL ANODIZED ALUMINUM	3/8"	
WALL FINISHES / PAINTS							
BR-2G	FACE BRICK	GENERAL DINING / ACCENT WALLS	PINE HALL BRICK	(USE EGR-1G)	OLD IRVINGTON O/S		CONTACT: THERESA BEANE TBEANE@PINEHALLBRICK.COM (336) 779-6131
EGR-1G	BRICK MORTAR	GENERAL DINING / ACCENT WALLS	FLAMINGO BRICKMENT	FOR USE WITH BR-1G	B-12C/C-244 OHIO RIVER MASONRY SAND		*CONTACT: MIKE ROSE @ ESSROC (812) 246-7721 cell: (502) 741-3923 mike.rose@essroc.com
P-3G	PAINT	MENU BOARD AND FACE OF SOFFIT		PRIMER -PPG; 6-2 SPEEDHIDE INTERIOR QUICK-DRYING LATEX SEALER PAINT -PPG; 6-411 EGGSHELL*	WRIGHT STONE		
P-4G	PAINT	INTERIOR DOOR FRAMES		*PRIMER -PPG; 6-212 SPEEDHIDE INT/EXT RUST INHIBITIVE STEEL PAINT -PPG; 6-1110X SEMI-GLOSS OIL*	ASHEN 516-4		
P-5G	PAINT	INTERIOR UNDERSIDE OF CORRIDOR SOFFIT AND RESTROOM CEILING	PPG	*PRIMER - PPG; 6-2 SPEEDHIDE INTERIOR QUICK-DRYING LATEX SEALER PAINT -PPG; 6-411 EGGSHELL*	WHITE ON WHITE		*CONTACT: RICK GARLIN (317) 566 1226 EMAIL: garlin@ppg.com*
P-6G	PAINT	EXPOSED DECKING AND BAR JOISTS		*PRIMER -PPG; 17-921 SEAL GRIP 100 PERCENT ACRYLIC UNIVERSAL PRIMER (PRIMER COLOR GRAY) PAINT -PPG; 6-411 EGGSHELL*	SLATE BROWN		
P-15G	PAINT	*INTERIOR WALLS / SOFFIT		*PRIMER -PPG; 6-2 SPEEDHIDE INTERIOR QUICK-DRYING LATEX SEALER PAINT -PPG; 6-411 INTERIOR EGGSHELL ENAMEL*	ASHEN 516-4		
FRP-1G	FIBER GLASS REINFORCED PANELS	BACK OF HOUSE (BACK KITCHEN)	MARLITE	FPR - SMOOTH TEXTURE, S100, S2S CLASS A	WHITE		*CONTACT: MIKE FREW mfrew@marlite.com Cell: 330-260-7823 CUSTOMER SERVICE -- (330) 343-6621*
FLOOR AND WALL TILE FINISHES							
CT-25G	CERAMIC TILE	FIELD FLOOR TILE /BEV WALL		TCL USG 2424163 (USE GR-15G)	SIMPLE GRAY HONED	24" x 24"	
CT-26G	CERAMIC TILE	BASE TILE (MAIN DINING)		TCL USG 1224163 (USE GR-15G) TO BE CUT FROM FIELD TILE	SIMPLE GRAY HONED	6" x 24"	
CT-27G	CERAMIC TILE	FRONT SERVICE/ RESTROOM WALL & FLOOR		TCL USG 1224163 (USE GR-15 G)	SIMPLE GRAY HONED	12" x 24"	
CT-28G	CERAMIC TILE	DINING/ ACCENT TILE LIGHT WOOD	GRANITE FIANDRE/ EUROWEST	*LARCH US (FRENCH WOOD) IRG 0624123 (USE GR-17G @ DINING WALLS ONLY) (USE GR-15G @ FLOOR)*	WOOD	6" x 24"	*CONTACT: JAN DETER @ EUROWEST (714) 309-9551 JOY KLEIN (813) 334-3302 jklein@transceromica.com *
CT-29G	CERAMIC TILE	DINING/ ACCENT DARK WOOD		*ELM US (FRENCH WOOD) IRG 0624122 (USE GR-15G)*	WOOD	6" x 24"	
CT-30G	CERAMIC TILE	RESTROOM WALL/ ACCENT RED TILE		*SENSIBLE STONE ED5052 (USE GR-15G)*	SIGN RED NATURAL	12" x 24"	
GROUT							
GR-15G	GROUT	FIELD FLOOR TILE /BEV WALL	CUSTOM BUILDING PRODUCTS	POLYBLEND SANDED	# 335WINTER GRAY		LOCAL DISTRIBUTOR
GR-17G	GROUT	DINING /ACCENT TILE LIGHT WOOD	CUSTOM BUILDING PRODUCTS	POLYBLEND SANDED	*#145 LIGHT SMOKE (USE WITH CT-28G @ WALLS ONLY)*		LOCAL DISTRIBUTOR
ACT-1G	CEILING TILE	DINING	ARMSTRONG	CORTEGA #770	CUSTOM COLOR: SEPIA, 2'X2' SQUARE LAY-IN TILE, GRID CUSTOM COLOR: SEPIA	2' x 2' x 5/8"	*CONTACT: LOUIS J. JOHN (407) 697.6768 ljohn@armstrong.com NOTE: CUSTOM COLOR, ORDER IN FULL CARTONS. CONTACT REP. FOR GRID CUSTOM PRODUCT NUMBERS. LEAD TIME: 4 WEEKS BY EXCEPTION ONLY (IF REQUIRED)
ACT-2G	CEILING TILE	BACK OF HOUSE (BACK KITCHEN)	ARMSTRONG	KITCHEN ZONE #BP672	WHITE, GRID; PRELUDE 15/16" EXPOSED TEE, GRID COLOR: WHITE	2' x 4' x 1/2"	CONTACT: LOUIS J. JOHN (407) 697.6768 ljohn@armstrong.com



125 Connell Ave
Rockdale, IL 60436

www.seating-concepts.com

T: 815.730.7980 F: 815.730.7969

This drawing contains proprietary information by Seating Concepts. Unauthorized use or reproduction is prohibited without expressed written consent of Seating Concepts.

Project Contacts:

Please contact one of the following Seating Concepts team members to address any concerns you may have:

Customer Service:
Ken Hibben 815.730.7980 x 2253
Linda Bender 815.730.7980 x 2224
Alyson Simek 815.730.7980 x 2206

Interior Design:
Samantha Uthe 815.730.7980 x 2251
Lori Manion 815.730.7980 x 2242
Iwona Letocha 815.730.7980 x 2273
Sandra Chavez: 815.730.7980 x 2221
Niha Prasad: 815.730.7980

**After delivery of decor if you have any questions please contact customer service at 815.730.7980

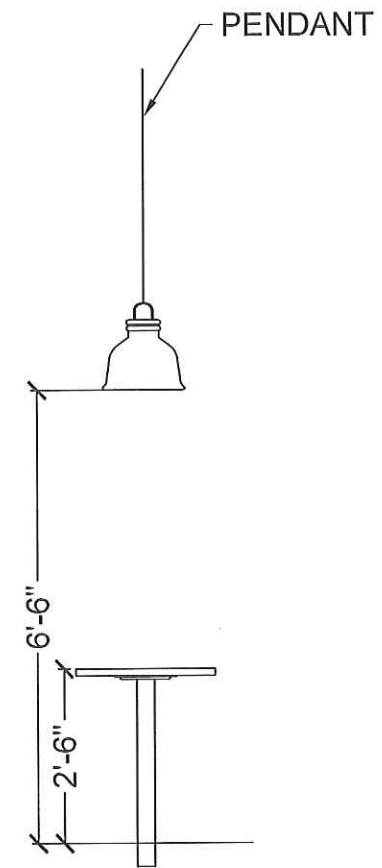
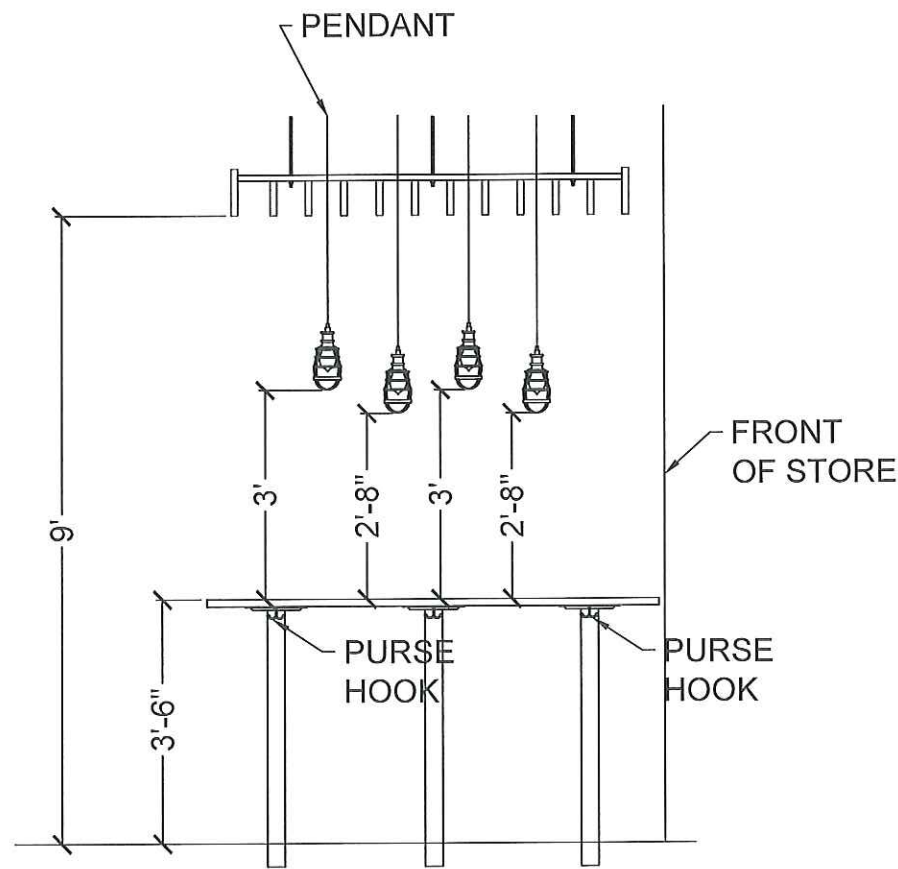
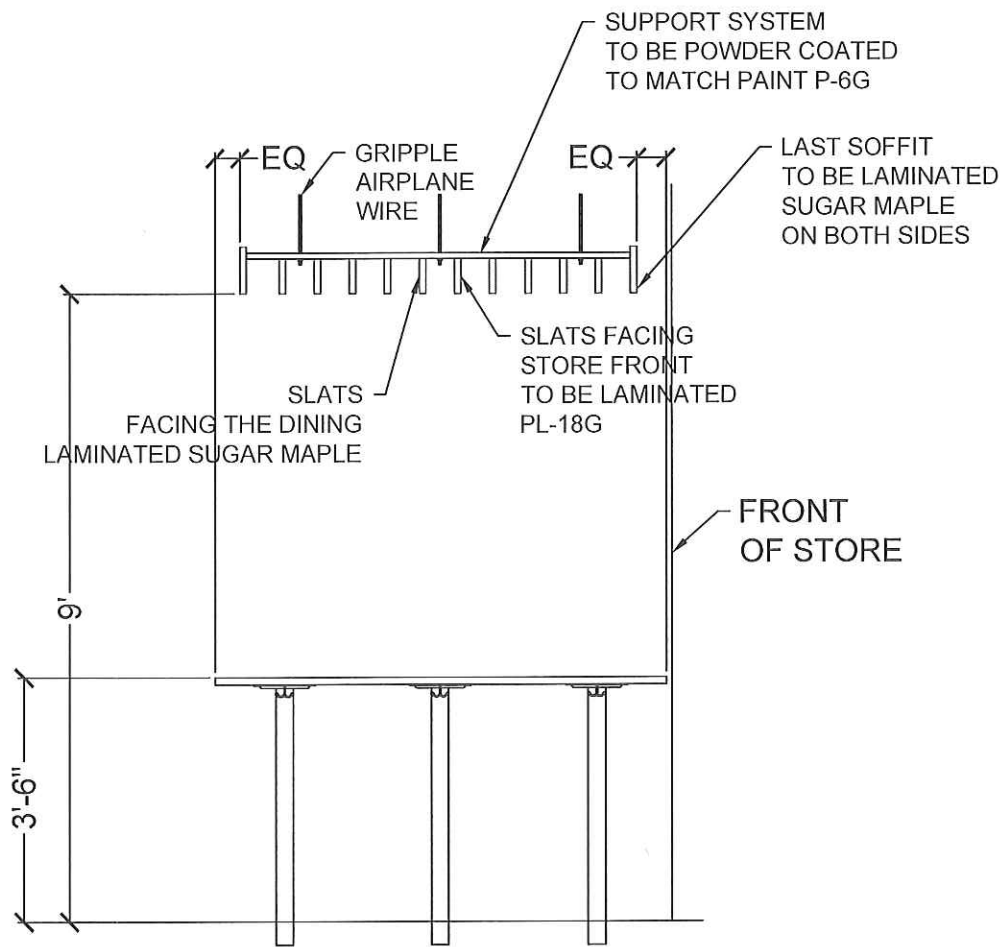
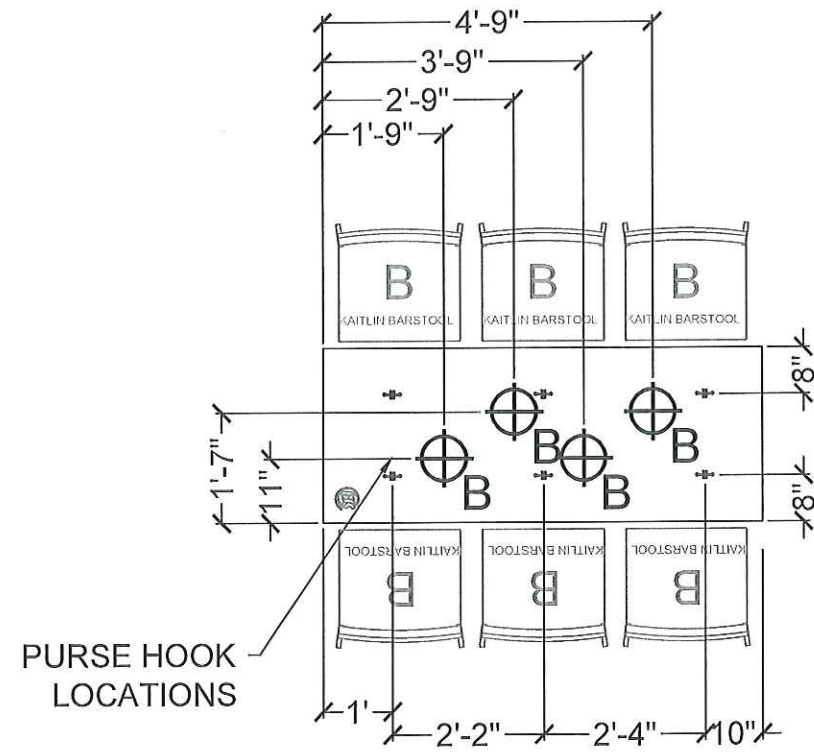
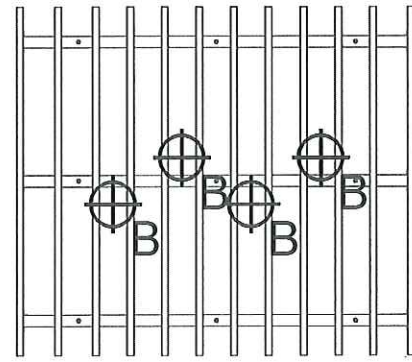


PROJECT:	Garden Grill
LOCATION:	Grayslake, IL
ADDRESS:	159 S Rt 45
STORE #:	9926
DRAWN BY:	Deborah D. Paulik
PROJECT MANAGER:	Zach DePyssler
SALES MANAGER:	Linda Bender

DATE:	09-10-15		
REVISION HISTORY			
DATE	REV #	DESCRIPTION	INITIALS
09/28/15	01	BKC review & full package	DDP

DRAWING TITLE:	Interior Building Specifications
SCALE:	NTS
ID-10	

11 x 17 SIZE FORMAT



PENDANT OVER STD HT TABLES AND BOOTHS

This drawing contains proprietary information by Seating Concepts. Unauthorized use or reproduction is prohibited without expressed written consent of Seating Concepts.

Project Contacts:

Please contact one of the following Seating Concepts team members to address any concerns you may have:

Customer Service:
Ken Hibben 815.730.7980 x 2253
Linda Bender 815.730.7980 x 2224
Alyson Simek 815.730.7980 x 2206

Interior Design:
Samantha Uthe 815.730.7980 x 2251
Lori Manion 815.730.7980 x 2242
Iwona Letocha 815.730.7980 x 2273
Sandra Chavez 815.730.7980 x 2221
Niha Prasad 815.730.7980

**After delivery of decor if you have any questions please contact customer service at 815.730.7980



PROJECT: Garden Grill

LOCATION: Grayslake, IL

ADDRESS: 159 S Rt 45

STORE #: 9926

DRAWN BY: Deborah D. Paulik

PROJECT MANAGER: Zach DePyssler

SALES MANAGER: Linda Bender

DATE: 09-10-15

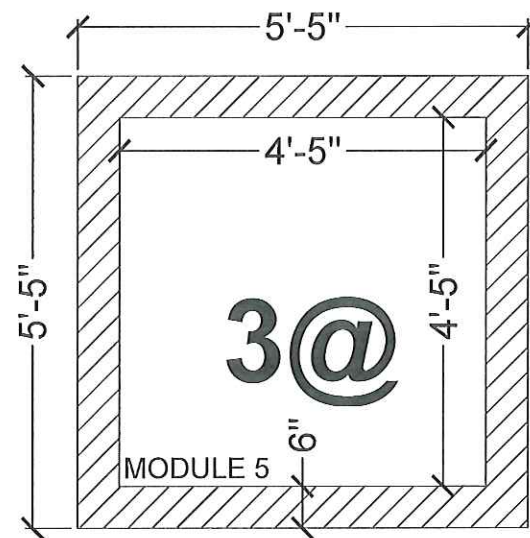
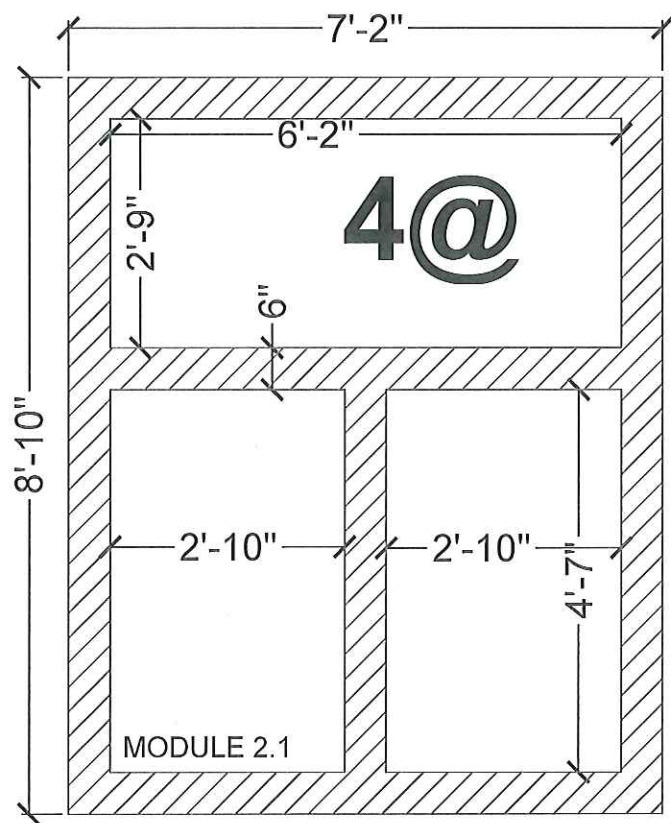
REVISION HISTORY			INITIALS
DATE	REV #	DESCRIPTION	
09/28/15	01	BKC review & full package	DDP

DRAWING TITLE: Pergola Soffit Details

SCALE: 3/8" = 1'-0"

ID-11.0

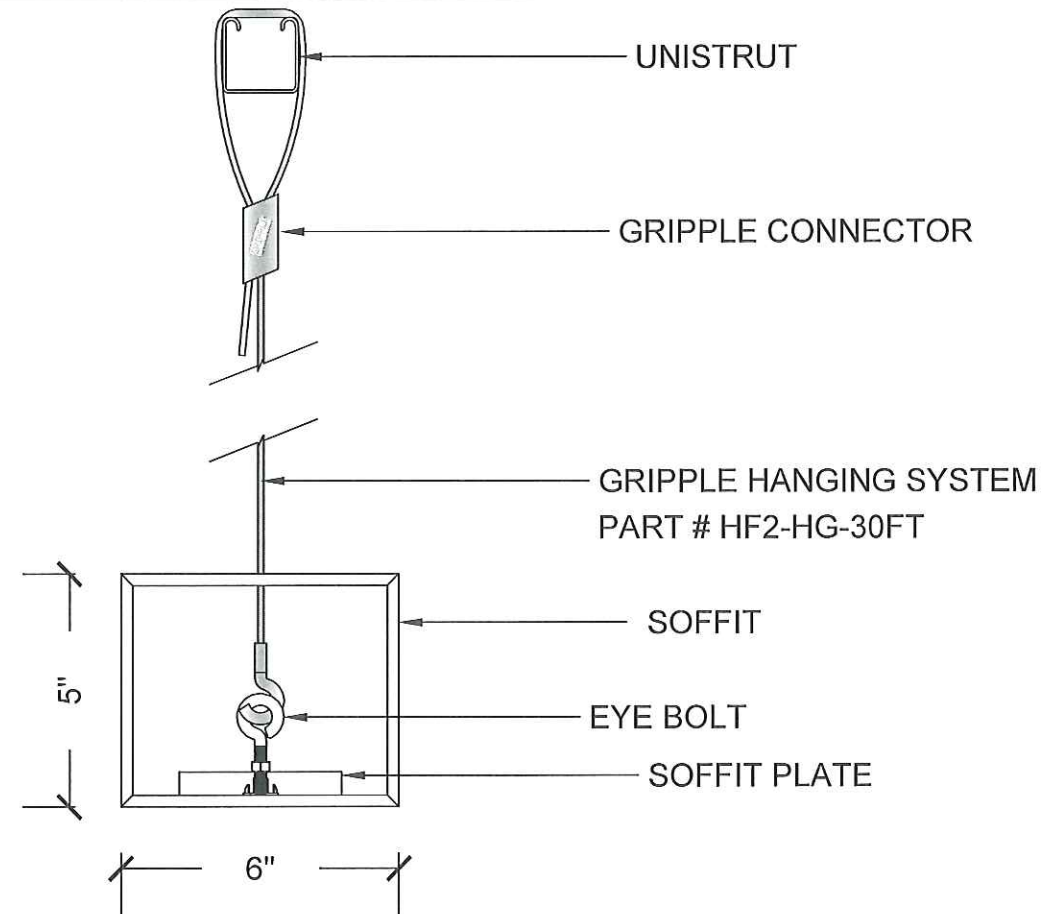
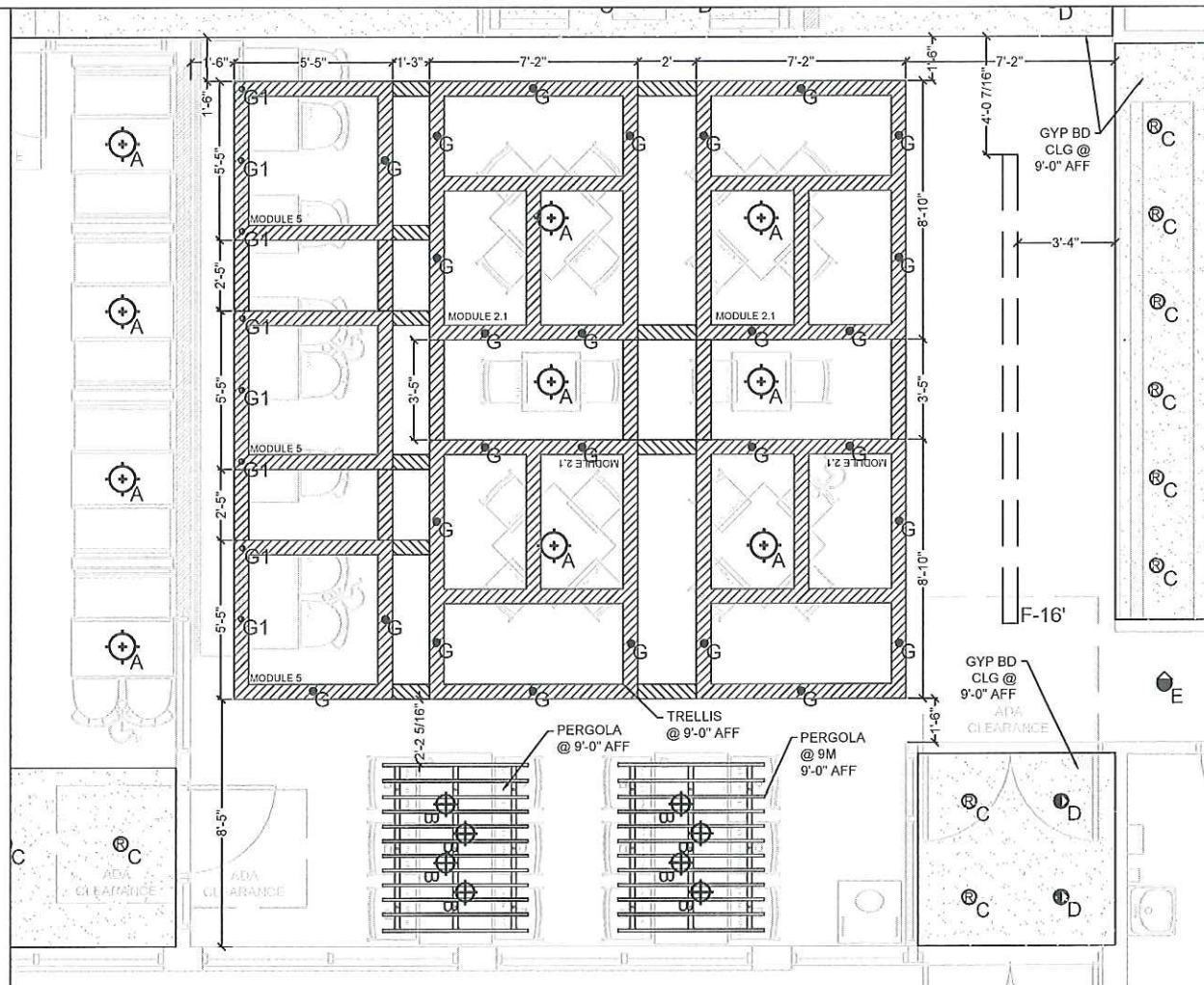
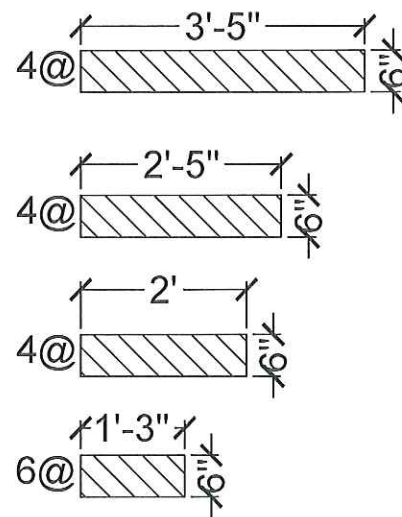
11 x 17 SIZE FORMAT



TRELLIS SOFFIT MODULES

***SUPPORT SYSTEM TO BE POWDER COATED TO MATCH PAINT P-6G**

CONNECTOR SECTIONS



SEATING Concepts
 125 Connell Ave
 Rockdale, IL 60436
 www.seating-concepts.com
 T: 815.730.7980 F: 815.730.7969

This drawing contains proprietary information by Seating Concepts. Unauthorized use or reproduction is prohibited without expressed written consent of Seating Concepts.

Project Contacts:
 Please contact one of the following Seating Concepts team members to address any concerns you may have:

Customer Service:
 Ken Hibben 815.730.7980 x 2253
 Linda Bender 815.730.7980 x 2224
 Alyson Simek 815.730.7980 x 2206

Interior Design:
 Samantha Ulthe 815.730.7980 x 2251
 Lori Manion 815.730.7980 x 2242
 Iwona Letocha 815.730.7980 x 2273
 Sandra Chavez 815.730.7980 x 2221
 Niha Prasad 815.730.7980

**After delivery of decor if you have any questions please contact customer service at 815.730.7980



PROJECT: Garden Grill
 LOCATION: Grayslake, IL
 ADDRESS: 159 S Rt 45
 STORE #: 9926
 DRAWN BY: Deborah D. Paulik
 PROJECT MANAGER: Zach DePysler
 SALES MANAGER: Linda Bender

DATE: 09-10-15

REVISION HISTORY			
DATE	REV #	DESCRIPTION	INITIALS
09/28/15	01	BKC review & full package	DDP

DRAWING TITLE: Trellis Soffit Details
 SCALE: VARIES
ID-11.1
 11 x 17 SIZE FORMAT

** G.C. IS RESPONSIBLE FOR PURCHASE & INSTALLATION OF THE UNISTRUT SYSTEM PRIOR TO ARRIVAL OF DECOR. SCI WILL PROVIDE INSTALLATION INSTRUCTIONS PRIOR TO DECOR SHIPPING.**



125 Connell Ave
Rockdale, IL 60436

www.seating-concepts.com

T: 815.730.7980 F: 815.730.7969

This drawing contains proprietary information by Seating Concepts. Unauthorized use or reproduction is prohibited without expressed written consent of Seating Concepts.

Project Contacts:

Please contact one of the following Seating Concepts team members to address any concerns you may have:

Customer Service:
Ken Hibben 815.730.7980 x 2253
Linda Bender 815.730.7980 x 2224
Alyson Simek 815.730.7980 x 2206

Interior Design:
Samantha Ulthé 815.730.7980 x 2251
Lori Manion 815.730.7980 x 2242
Iwona Letocha 815.730.7980 x 2273
Sandra Chavez: 815.730.7980 x 2221
Niha Prasad: 815.730.7980

**After delivery of decor if you have any questions please contact customer service at 815.730.7980



PROJECT: Garden Grill

LOCATION: Graylake, IL

ADDRESS: 159 S Rt 45

STORE #: 9926

DRAWN BY: Deborah D. Paulik

PROJECT MANAGER: Zach DePyssler

SALES MANAGER: Linda Bender

DATE: 09-10-15

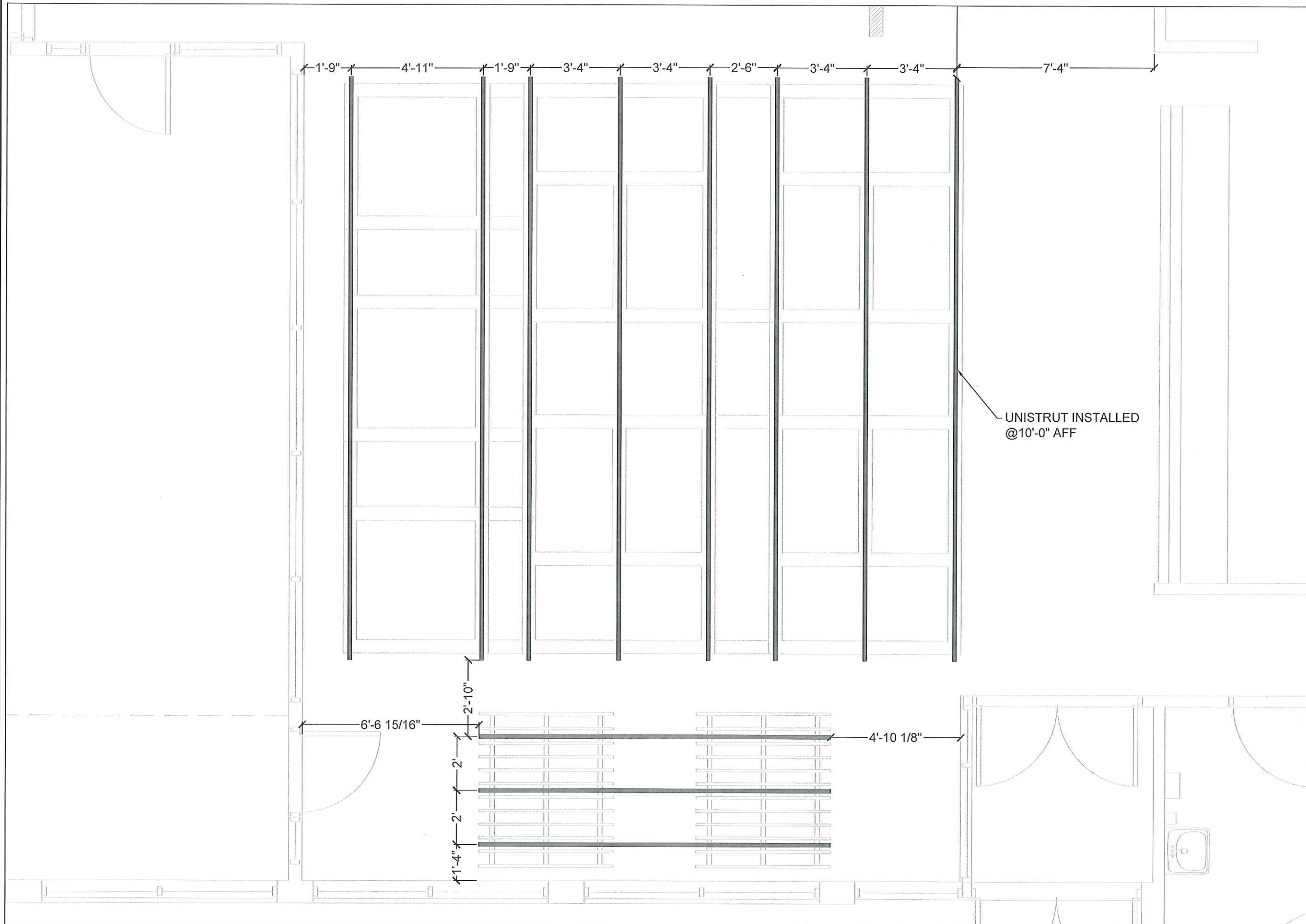
REVISION HISTORY			
DATE	REV #	DESCRIPTION	INITIALS
09/28/15	01	BKC review & full package	DOP

DRAWING TITLE: Unistrut Layout

SCALE: 3/8" = 1'-0"

ID-12

11 x 17 SIZE FORMAT



This drawing contains proprietary information by Seating Concepts. Unauthorized use or reproduction is prohibited without expressed written consent of Seating Concepts.

Project Contacts:

Please contact one of the following Seating Concepts team members to address any concerns you may have:

Customer Service:
Ken Hibben 815.730.7980 x 2253
Linda Bender 815.730.7980 x 2224
Alyson Simek 815.730.7980 x 2206

Interior Design:
Samantha Ulte 815.730.7980 x 2251
Lori Manion 815.730.7980 x 2242
Iwona Letocha 815.730.7980 x 2273
Sandra Chavez 815.730.7980 x 2221
Niha Prasad 815.730.7980

**After delivery of decor if you have any questions please contact customer service at 815.730.7980



PROJECT: **Garden Grill**

LOCATION: Grayslake, IL

ADDRESS: 159 S Rl 45

STORE #: 9926

DRAWN BY: Deborah D. Paulik

PROJECT MANAGER: Zach DePyssler

SALES MANAGER: Linda Bender

DATE: 09-10-15

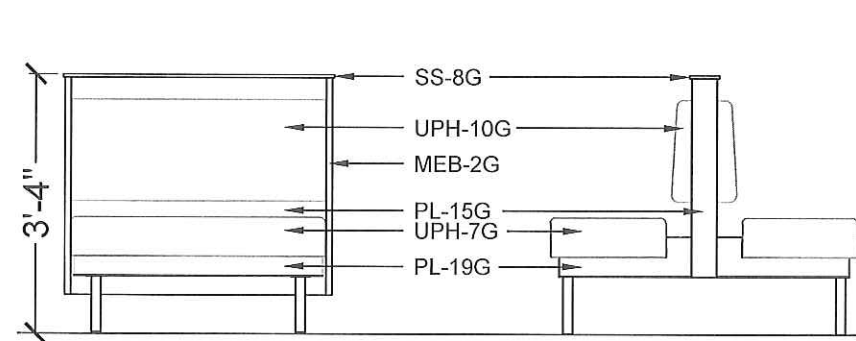
REVISION HISTORY			
DATE	REV #	DESCRIPTION	INITIALS
09/28/15	01	BKC review & full package	DDP

DRAWING TITLE: Product Images& Details

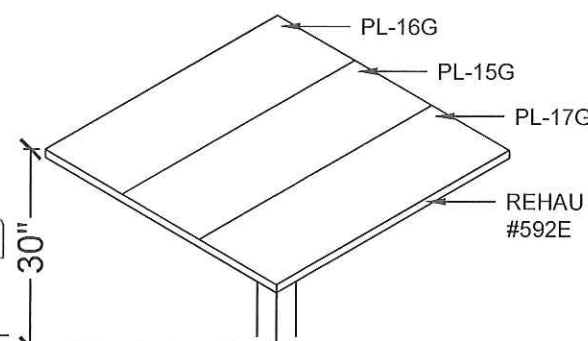
SCALE: NTS

ID-13

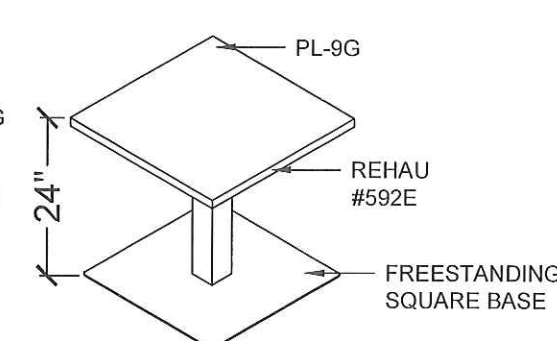
11 x 17 SIZE FORMAT



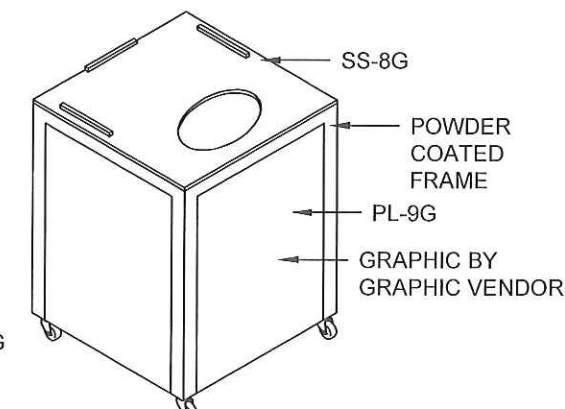
BOOTH / SETTEE DETAIL



TRI-COLOR TABLE TOP DETAIL



OCCASIONAL TABLE



CUSTOM TRASH



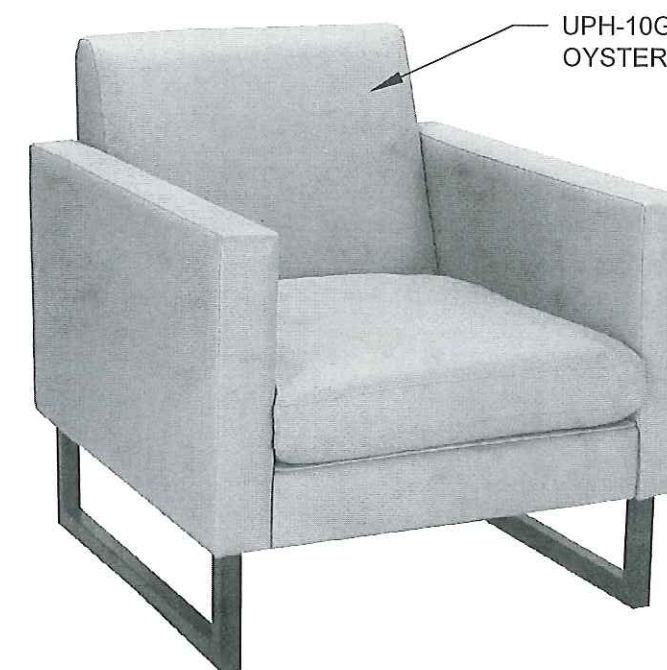
BARSTOOL



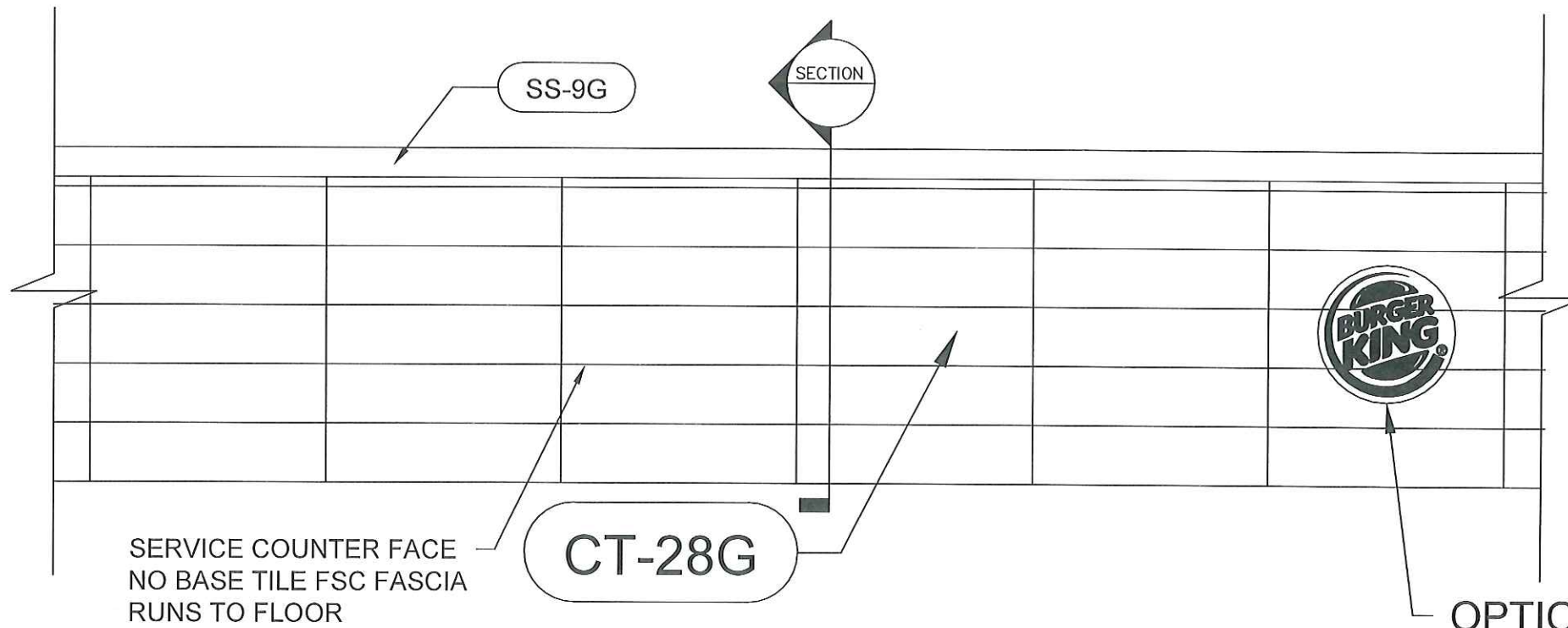
CHAIR @ CENTER OF RESTAURANT



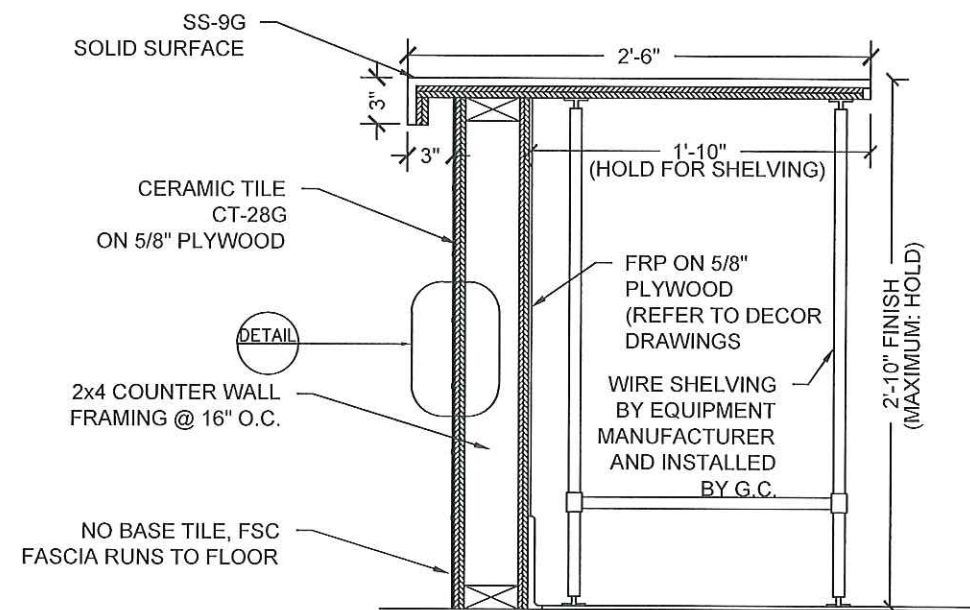
CHAIR @ PERIMETER OF RESTAURANT



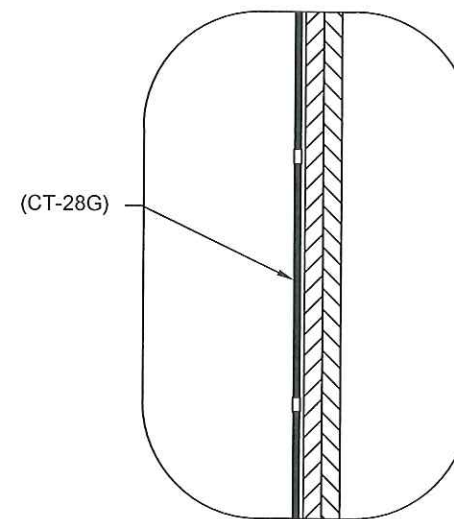
LOUNGE SEAT



FRONT SERVICE COUNTER ELEVATION VIEW



FRONT SERVICE COUNTER SECTION



DETAIL



125 Connell Ave
Rockdale, IL 60436

www.seating-concepts.com

T: 815.730.7980 F: 815.730.7969

This drawing contains proprietary information by Seating Concepts. Unauthorized use or reproduction is prohibited without expressed written consent of Seating Concepts.

Project Contacts:

Please contact one of the following Seating Concepts team members to address any concerns you may have:

Customer Service:
Ken Hibben 815.730.7980 x 2253
Linda Bender 815.730.7980 x 2224
Alyson Simek 815.730.7980 x 2206

Interior Design:
Samantha Ulhe 815.730.7980 x 2251
Lori Marion 815.730.7980 x 2242
Iwona Letocha 815.730.7980 x 2273
Sandra Chavez: 815.730.7980 x 2221
Niha Prasad: 815.730.7980

**After delivery of decor if you have any questions please contact customer service at 815.730.7980



PROJECT:
Garden Grill

LOCATION:
Grayslake, IL

ADDRESS:
159 S Rt 45

STORE #:
9926

DRAWN BY:
Deborah D. Paulik

PROJECT MANAGER:
Zach DePyssler

SALES MANAGER:
Linda Bender

DATE:
09-10-15

REVISION HISTORY			
DATE	REV #	DESCRIPTION	INITIALS
09/28/15	01	BKC review & full package	DDP

DRAWING TITLE:
FSC DETAILS

SCALE:
VARIES

ID-14

11 x 17 SIZE FORMAT