



03.24.16
 BRAND REVIEW APPROVED
 WITH COMMENT. REVISE/NO
 NEED TO RESUBMIT.

Burger King Restaurant
 Toms King
 Improved 20/20 Light (BK Custom Red)- Ashtabula, OH

SEATING Concepts
 125 Connell Ave
 Rockdale, IL 60436
 www.seating-concepts.com
 T: 815.730.7980 F: 815.730.7969

Seating Concepts 125 Connell Ave. Rockdale, IL 60436

Decor Drawings:

* These plans are produced from architects drawings received: 12-21-15

General Notes and Information:

General Notes

1. Do not scale off plans. Call Seating Concepts to verify any questionable dimensions - 815.730.7980
2. Dimensions are for design intent only.
3. Seating Concepts has prepared these pages as accurately as possible with the information provided. The owner understands that adjustments to the final locations of equipment and/or furniture placement may be required at the owner's expense due to discrepancies based on actual job site dimensions and conditions.
4. Refer to architectural drawings for complete and accurate dimensions of building structure.
5. These documents are the property of Seating Concepts.
6. These documents may not be copied, reproduced, used, or implemented in any way, without the consent of Seating Concepts.
7. Seating Concepts is not responsible for deviations, changes, additions, or deletions not reviewed and approved in advance by Seating Concepts.

Construction

1. The GC shall verify all dimensions and conditions on the job site and notify Seating Concepts of all discrepancies prior to starting work.
2. GC is to review Seating Concepts plans against the architectural drawing set they are using on site. GC shall notify Seating Concepts immediately if they notice discrepancies.
3. Dimensions marked GC to Verify must be verified and the measurements recorded to Seating Concepts. Failure to communicate verified dimensions to Seating concepts could result in a delay of decor fabrication and possible delay of shipment.
4. GC to locate thermostats and sensors and move accordingly so they do not interfere with decor.
5. GC to refer to elevations for typical wall finishes.

Finish Specification & Ordering of Materials

1. The building specifications have multiple options to choose from. Seating Concepts shows all the options in the specification sheets for the Owner/GC to select from. Seating Concepts does not select the option to be used. This is for the wall tile, floor tile, paint, and ceiling finishes.
2. GC to order by complete specification, including series, item number and color. Any discrepancies should be communicated to Seating Concepts immediately.
3. Changes to finishes as requested by owner after materials are ordered may result in owner assuming restocking fees or other additional costs associated with a re-selection.

Tile

Wall Tile

1. All outside corners of the tile walls to receive edge protection per trim schedule TR-3L. TR-3L trim is also located where tile transitions to paint or vinyl wall covering. GC is responsible for ordering the correct size trim system for installation.
2. Tile patterns are shown on elevations for representation of install pattern only. Do not scale from drawings.
3. GC to insure wall tile specified in restrooms and food service/prep areas meet the local health code requirements.
4. Recommended grout joint is 1/8".

Floor Tile

1. Base tile to be located from elevations.
2. Base tile in kitchen must match floor finish specification for kitchen tile.
3. It is the responsibility of the GC to account for variance in tile thickness to insure a flush floor tile installation.
4. If cove base tile is used the GC must install cove base to be flush with floor tile.
5. Recommended grout joint is 1/8".
6. GC must apply grout sealer.

Decor Package:

* All Designs must be approved by Burger King Corporation.

Ceiling

1. GC must coordinate all existing HVAC and lighting with interior decor.

Electrical

1. All electrical outlets are located 18" A.F.F. unless otherwise noted.
2. All power and data to come from ceiling unless noted otherwise.
3. All electrical fixtures, wiring, and installation to be UL approved.
4. Pendants are to be centered over table top once final installation of seating is complete.

Installation

1. GC is to inspect Seating Concepts product upon delivery. Notice of damage must be given within 24 hours of delivery. Any damage noted after this time period will become the responsibility of the GC and will be repaired or replaced at the GC's expense.
2. GC is responsible to protect product during and after installation. Seating Concepts will not be responsible for product replacement due to misuse by others during and/or after installation.
3. GC to refer to installation pages included in the installation instructions packet sent with the decor.
4. GC is responsible to insure appropriate installation of metalwork as required for table tops designated as ADA compliant.

Drawing Index:

- * ID-1 Cover Sheet
- * ID-2 Seating Layout
- * ID-3 Furniture Finish Layout
- * ID-4 Wall Finish Layout
- * ID-5 Pendant, Soffit, Graphic Layout
- * ID-6 Flooring Layout
- * ID-7 Interior Elevations
- * ID-8 Interior Elevations
- * ID-9 Furniture Finish Specifications
- * ID-10 Interior Building Specifications
- * ID-11 Interior Building Specifications
- * ID-12 Interior Building Specifications
- * ID-13 Interior Building Specifications
- * ID-14 Product Images
- * ID-15 Product Details
- * ID-16 FSC Details

FINISHES SHALL COMPLY WITH 2020 LIGHT FINISH SCHEDULE AND GUIDELINE AND CANNOT DEVIATE FROM THE IMAGE

This drawing contains proprietary information by Seating Concepts. Unauthorized use or reproduction is prohibited without expressed written consent of Seating Concepts.

Project Contacts:

Please contact one of the following Seating Concepts team members to address any concerns you may have:

Customer Service:
 Ken Hibben 815.730.7980 x 2253
 Mel Randall 815.730.7980 x 2234
 Krista Bagley 815.730.7980 x 2219

Interior Design:
 Samantha Uthe 815.730.7980 x 2251
 Lori Manion 815.730.7980 x 2242
 Kimberly Sea 815.730.7980 x 444
 Rita Gear 815.730.7980 x 2235
 Deb Paulik 815.730.7980 x 443

**After delivery of decor if you have any questions please contact customer service at 815.730.7980



PROJECT:
 Improved 20/20 Light
 - BK Custom Red

LOCATION: Ashtabula, OH

ADDRESS: 3225 North Ridge East

STORE #: 9932

DRAWN BY: Lori C. Manion

PROJECT MANAGER: Zach DePyssler

SALES MANAGER: Mel Randall

DATE: 12-30-15

REVISION HISTORY			
DATE	REV #	DESCRIPTION	INITIALS
12-29-15	1	all freestanding in playground	LCM
01-11-16	2	per BKC	LCM
01-25-16	3	per BKC	LCM
01-25-16	4	revise to improve	SU
02-17-16	5	revise feature wall	DDP
03-22-16	6	per BKC	DDP

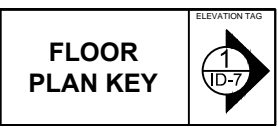
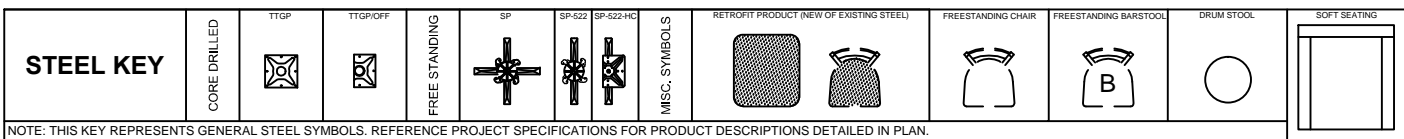
DRAWING TITLE: Cover Sheet

SCALE: NTS

ID-1

TEMPLATE UPDATED: 03-21-16

11 x 17 SIZE FORMAT



SEATING Concepts
 125 Connell Ave
 Rockdale, IL 60436
 www.seating-concepts.com
 T: 815.730.7980 F: 815.730.7969

Project Contacts:
 Please contact one of the following Seating Concepts team members to address any concerns you may have:

Customer Service:
 Ken Hibben 815.730.7980 x 2253
 Mel Randall 815.730.7980 x 2234
 Krista Bagley 815.730.7980 x 2219

Interior Design:
 Samantha Uthe 815.730.7980 x 2251
 Lori Manion 815.730.7980 x 2242
 Kimberly Sea 815.730.7980 x 444
 Rita Gear 815.730.7980 x 2235
 Deb Paulik 815.730.7980 x 443

**After delivery of decor if you have any questions please contact customer service at 815.730.7980

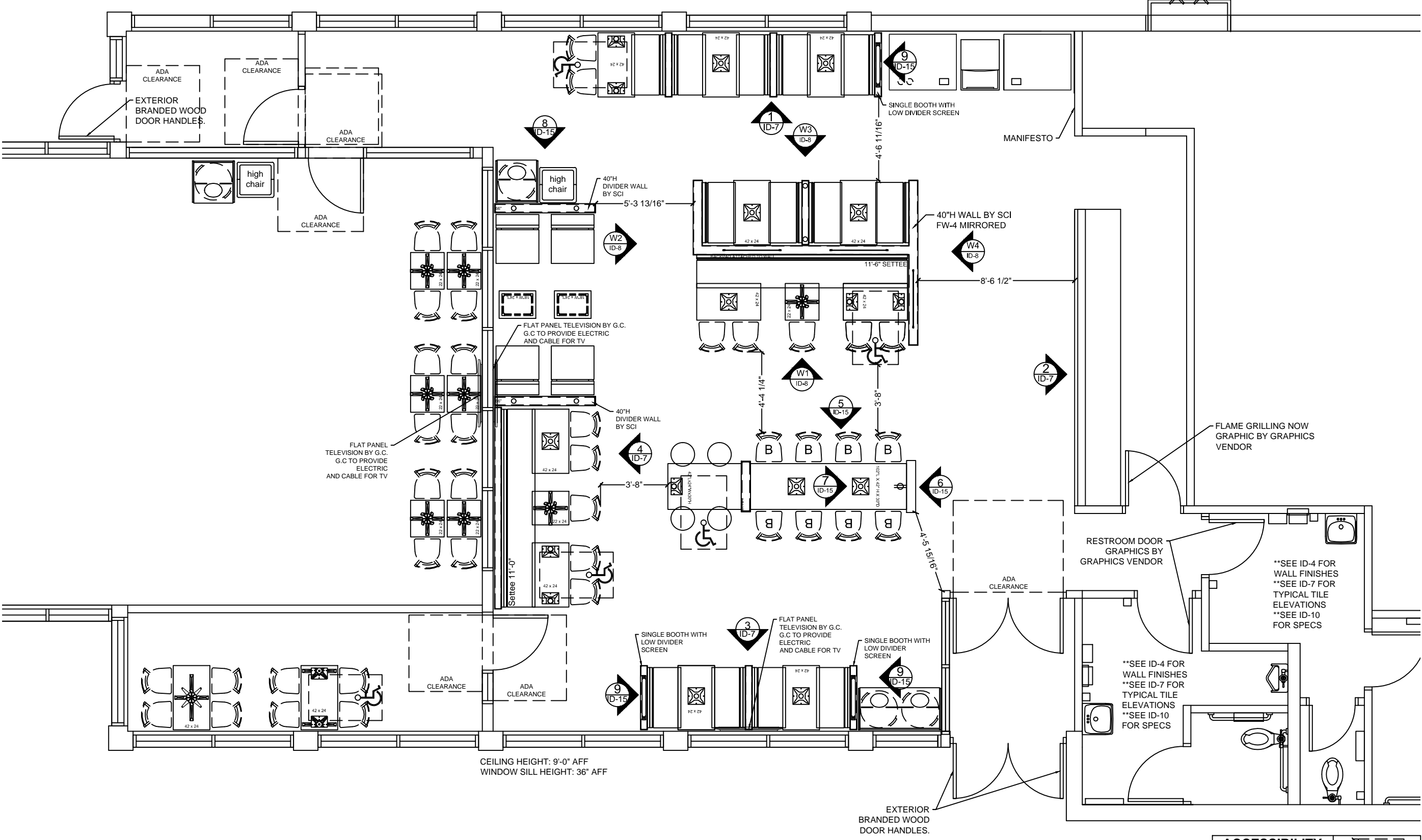


PROJECT: Improved 20/20 Light - BK Custom Red
 LOCATION: Ashtabula, OH
 ADDRESS: 3225 North Ridge East
 STORE #: 9932
 DRAWN BY: Lori C. Manion
 PROJECT MANAGER: Zach DePysler
 SALES MANAGER: Mel Randall

DATE: 12-30-15

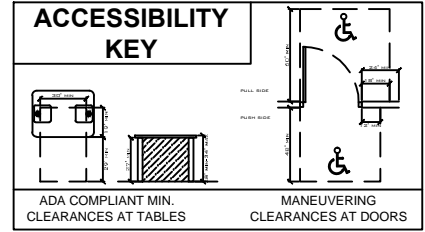
REVISION HISTORY			
DATE	REV #	DESCRIPTION	INITIALS
12-29-15	1	all freestanding in playground	LCM
01-11-16	2	per BKC	LCM
01-25-16	3	per BKC	LCM
01-25-16	4	revise to improve	SU
02-17-16	5	revise feature wall	DDP
03-22-16	6	per BKC	DDP

DRAWING TITLE: Seating Layout
 SCALE: 3/16" = 1'-0"
ID-2
 11 x 17 SIZE FORMAT



SEATING AND TABLE SCHEDULE	TABLE TOP STYLES	SINGLES	2 TOPS	3 TOPS	4 TOPS	5 TOPS	6 TOPS	8 TOPS	10 TOPS	12 TOPS
TABLE TOP QUANTITY		2	7	-	13	-	-	-	-	1
SEAT QUANTITY		4	14	-	52	-	-	-	-	12

ADA ACCESSIBLE SEATING: 5 TOTAL NUMBER OF SEATS: 82



This drawing contains proprietary information by Seating Concepts. Unauthorized use or reproduction is prohibited without expressed written consent of Seating Concepts.

Project Contacts:

Please contact one of the following Seating Concepts team members to address any concerns you may have:

Customer Service:
Ken Hibben 815.730.7980 x 2253
Mel Randall 815.730.7980 x 2234
Krista Bagley 815.730.7980 x 2219

Interior Design:
Samantha Uthe 815.730.7980 x 2251
Lori Manion 815.730.7980 x 2242
Kimberly Sea 815.730.7980 x 444
Rita Gear 815.730.7980 x 2235
Deb Paulik 815.730.7980 x 443

**After delivery of decor if you have any questions please contact customer service at 815.730.7980



PROJECT:
Improved 20/20 Light
- BK Custom Red

LOCATION: Ashtabula, OH

ADDRESS: 3225 North Ridge East

STORE #: 9932

DRAWN BY: Lori C. Manion

PROJECT MANAGER: Zach DePyssler

SALES MANAGER: Mel Randall

DATE: 12-30-15

REVISION HISTORY			
DATE	REV #	DESCRIPTION	INITIALS
12-29-15	1	all freestanding in playground	LCM
01-11-16	2	per BKC	LCM
01-25-16	3	per BKC	LCM
01-25-16	4	revise to improve	SU
02-17-16	5	revise feature wall	DDP
03-22-16	6	per BKC	DDP

DRAWING TITLE: Finish Layout

SCALE: 1/4" = 1'-0"

ID-3

11 x 17 SIZE FORMAT



CEILING HEIGHT: 9'-0" AFF
WINDOW SILL HEIGHT: 36" AFF



125 Connell Ave
Rockdale, IL 60436

www.seating-concepts.com

T: 815.730.7980 F: 815.730.7969

This drawing contains proprietary information by Seating Concepts. Unauthorized use or reproduction is prohibited without expressed written consent of Seating Concepts.

Project Contacts:

Please contact one of the following Seating Concepts team members to address any concerns you may have:

Customer Service:
Ken Hibben 815.730.7980 x 2253
Mel Randall 815.730.7980 x 2234
Krista Bagley 815.730.7980 x 2219

Interior Design:
Samantha Uthe 815.730.7980 x 2251
Lori Manion 815.730.7980 x 2242
Kimberly Sea 815.730.7980 x 444
Rita Gear 815.730.7980 x 2235
Deb Paulik 815.730.7980 x 443

**After delivery of decor if you have any questions please contact customer service at 815.730.7980



PROJECT:
Improved 20/20 Light
- BK Custom Red

LOCATION: Ashtabula, OH

ADDRESS: 3225 North Ridge East

STORE #: 9932

DRAWN BY: Lori C. Manion

PROJECT MANAGER: Zach DePyssler

SALES MANAGER: Mel Randall

DATE: 12-30-15

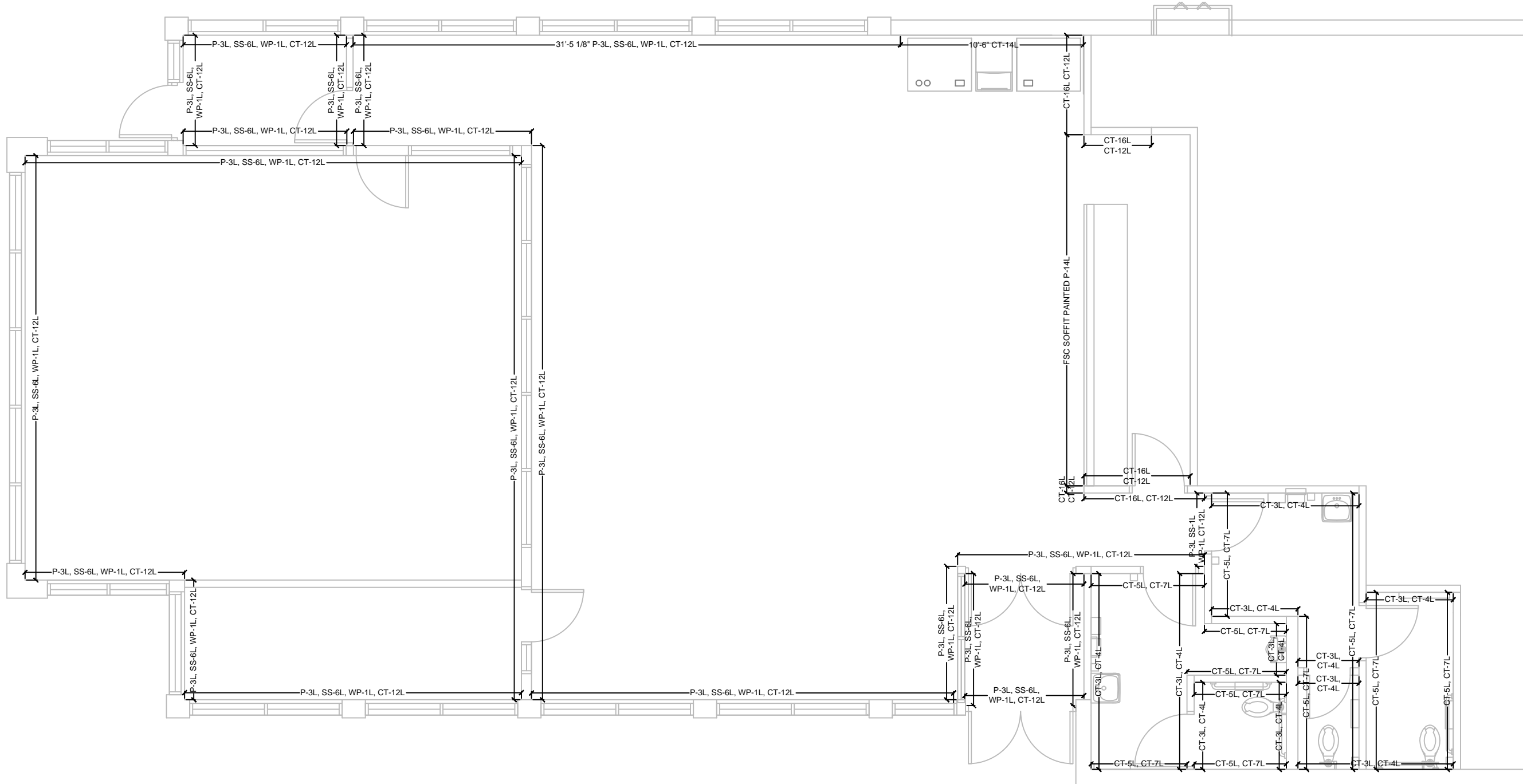
REVISION HISTORY			
DATE	REV #	DESCRIPTION	INITIALS
12-29-15	1	all freestanding in playground	LCM
01-11-16	2	per BKC	LCM
01-25-16	3	per BKC	LCM
01-25-16	4	revise to improve	SU
02-17-16	5	revise feature wall	DDP
03-22-16	6	per BKC	DDP

DRAWING TITLE: Wall Finish Layout

SCALE: NTS

ID-4

11 x 17 SIZE FORMAT



SEE SHEET ID-8 FOR MORE SOFFIT DETAILS

PENDANTS TO BE CENTERED OVER TABLE TOP, HUNG @ 78" AFF TO BOTTOM OF GLASS SHADE

GRAPHIC KEY

GRAPHIC DISPLAY

SEATING Concepts

125 Connell Ave
Rockdale, IL 60436

www.seating-concepts.com

T: 815.730.7980 F: 815.730.7969

This drawing contains proprietary information by Seating Concepts. Unauthorized use or reproduction is prohibited without expressed written consent of Seating Concepts.

Project Contacts:

Please contact one of the following Seating Concepts team members to address any concerns you may have:

Customer Service:
 Ken Hibben 815.730.7980 x 2253
 Mel Randall 815.730.7980 x 2234
 Krista Bagley 815.730.7980 x 2219

Interior Design:
 Samantha Uthe 815.730.7980 x 2251
 Lori Manion 815.730.7980 x 2242
 Kimberly Sea 815.730.7980 x 444
 Rita Gear 815.730.7980 x 2235
 Deb Paulik 815.730.7980 x 443

**After delivery of decor if you have any questions please contact customer service at 815.730.7980



PROJECT: Improved 20/20 Light - BK Custom Red

LOCATION: Ashtabula, OH

ADDRESS: 3225 North Ridge East

STORE #: 9932

DRAWN BY: Lori C. Manion

PROJECT MANAGER: Zach DePyssler

SALES MANAGER: Mel Randall

DATE: 12-30-15

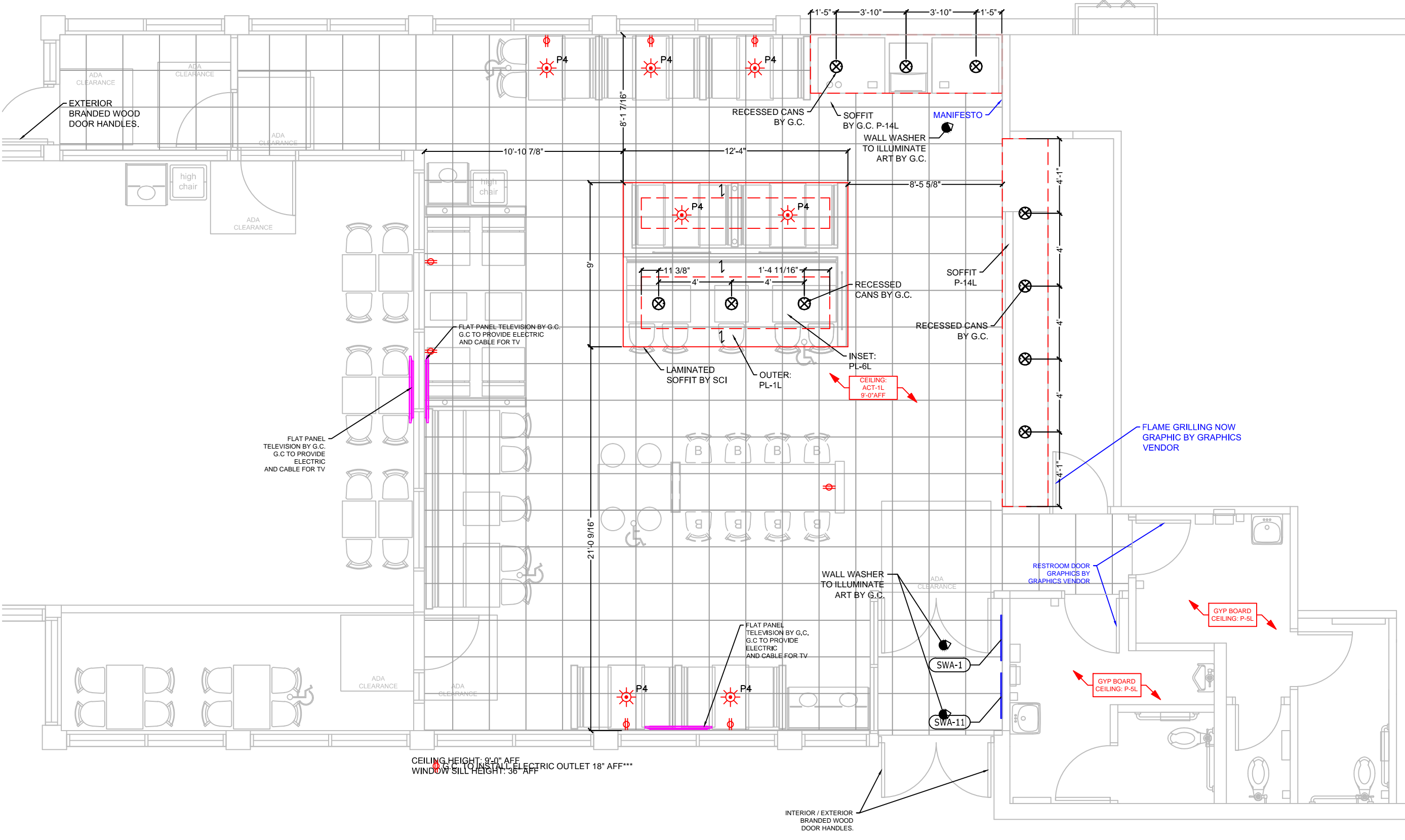
REVISION HISTORY			
DATE	REV #	DESCRIPTION	INITIALS
12-29-15	1	all freestanding in playground	LCM
01-11-16	2	per BKC	LCM
01-25-16	3	per BKC	LCM
01-25-16	4	revise to improve	SU
02-17-16	5	revise feature wall	DDP
03-22-16	6	per BKC	DDP

DRAWING TITLE: Pendant Soffit Graphic Layout

SCALE: 3/16" = 1'-0"

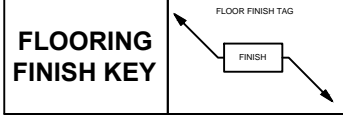
ID-5

11 x 17 SIZE FORMAT



CEILING HEIGHT: 9'-0" AFF
WINDOW SILL HEIGHT: 36" AFF

INTERIOR / EXTERIOR
BRANDED WOOD
DOOR HANDLES.



SEATING Concepts
 125 Connell Ave
 Rockdale, IL 60436
www.seating-concepts.com
 T: 815.730.7980 F: 815.730.7969

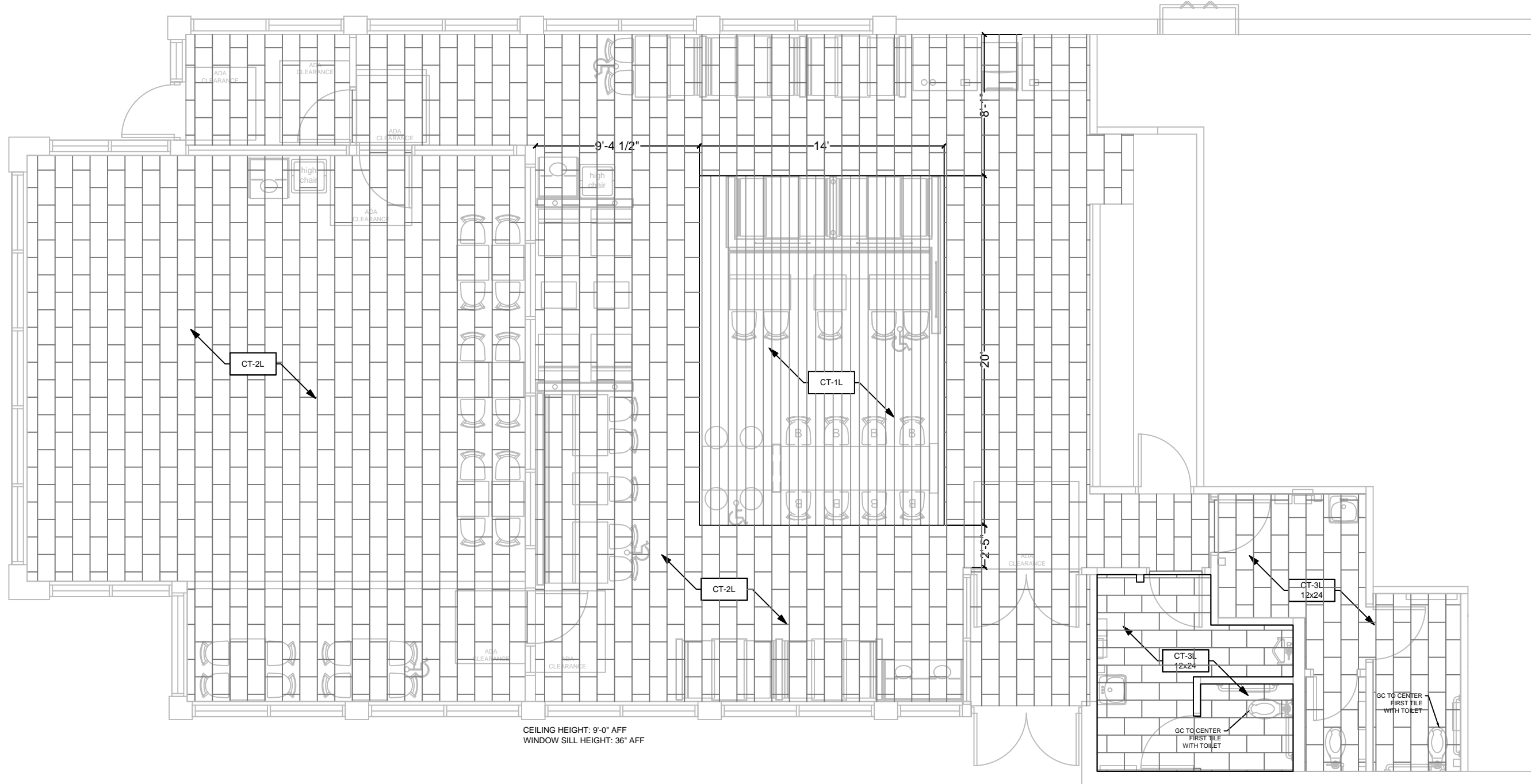
This drawing contains proprietary information by Seating Concepts. Unauthorized use or reproduction is prohibited without expressed written consent of Seating Concepts.

Project Contacts:
 Please contact one of the following Seating Concepts team members to address any concerns you may have:

Customer Service:
 Ken Hibben 815.730.7980 x 2253
 Mel Randall 815.730.7980 x 2234
 Krista Bagley 815.730.7980 x 2219

Interior Design:
 Samantha Uthe 815.730.7980 x 2251
 Lori Manion 815.730.7980 x 2242
 Kimberly Sea 815.730.7980 x 444
 Rita Gear 815.730.7980 x 2235
 Deb Paulik 815.730.7980 x 443

**After delivery of decor if you have any questions please contact customer service at 815.730.7980



CEILING HEIGHT: 9'-0" AFF
 WINDOW SILL HEIGHT: 36" AFF



PROJECT: Improved 20/20 Light - BK Custom Red
LOCATION: Ashtabula, OH
ADDRESS: 3225 North Ridge East
STORE #: 9932
DRAWN BY: Lori C. Manion
PROJECT MANAGER: Zach DePyssler
SALES MANAGER: Mel Randall

DATE: 12-30-15

REVISION HISTORY			
DATE	REV #	DESCRIPTION	INITIALS
12-29-15	1	all freestanding in playground	LCM
01-11-16	2	per BKC	LCM
01-25-16	3	per BKC	LCM
01-25-16	4	revise to improve	SU
02-17-16	5	revise feature wall	DDP
03-22-16	6	per BKC	DDP

DRAWING TITLE: Flooring Layout
SCALE: NTS

ID-6

11 x 17 SIZE FORMAT

This drawing contains proprietary information by Seating Concepts. Unauthorized use or reproduction is prohibited without expressed written consent of Seating Concepts.

Project Contacts:

Please contact one of the following Seating Concepts team members to address any concerns you may have:

Customer Service:
Ken Hibben 815.730.7980 x 2253
Mel Randall 815.730.7980 x 2234
Krista Bagley 815.730.7980 x 2219

Interior Design:
Samantha Uthe 815.730.7980 x 2251
Lori Manion 815.730.7980 x 2242
Kimberly Sea 815.730.7980 x 444
Rita Gear 815.730.7980 x 2235
Deb Paulik 815.730.7980 x 443

**After delivery of decor if you have any questions please contact customer service at 815.730.7980



PROJECT:
**Improved 20/20 Light
- BK Custom Red**

LOCATION: Ashtabula, OH

ADDRESS: 3225 North Ridge East

STORE #: 9932

DRAWN BY: Lori C. Manion

PROJECT MANAGER: Zach DePyssler

SALES MANAGER: Mel Randall

DATE: 12-30-15

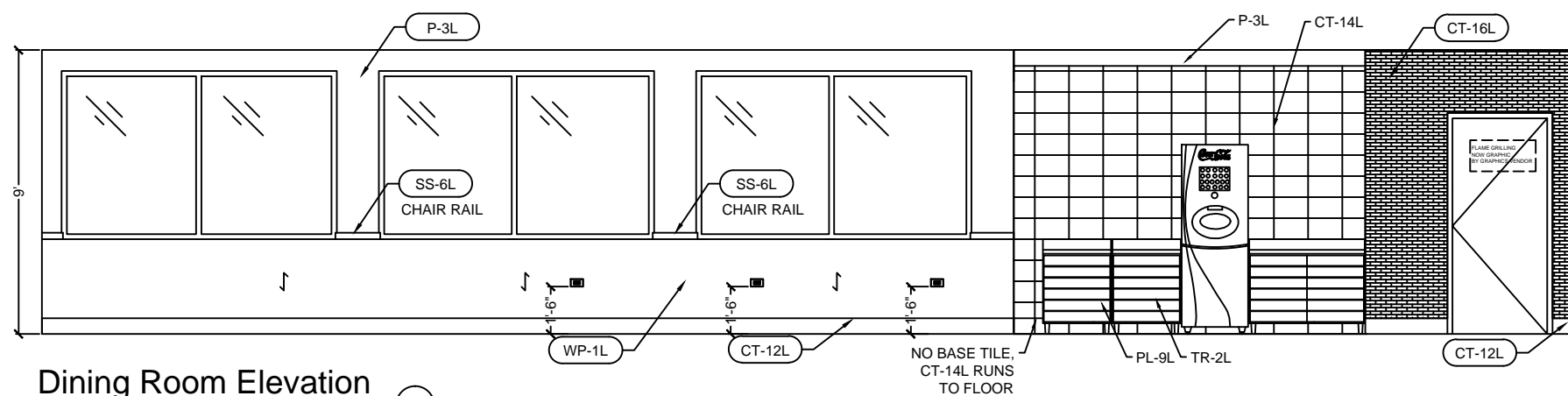
REVISION HISTORY			
DATE	REV #	DESCRIPTION	INITIALS
12-29-15	1	all freestanding in playground	LCM
01-11-16	2	per BKC	LCM
01-25-16	3	per BKC	LCM
01-25-16	4	revise to improve	SU
02-17-16	5	revise feature wall	DDP
03-22-16	6	per BKC	DDP

DRAWING TITLE: Elevations

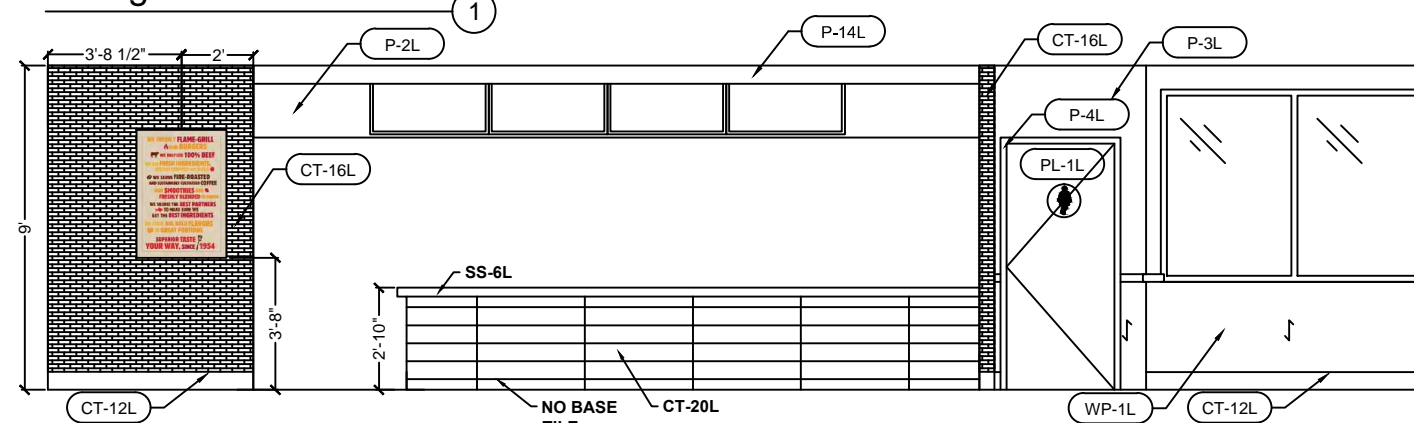
SCALE: 3/16" = 1'-0"

ID-7

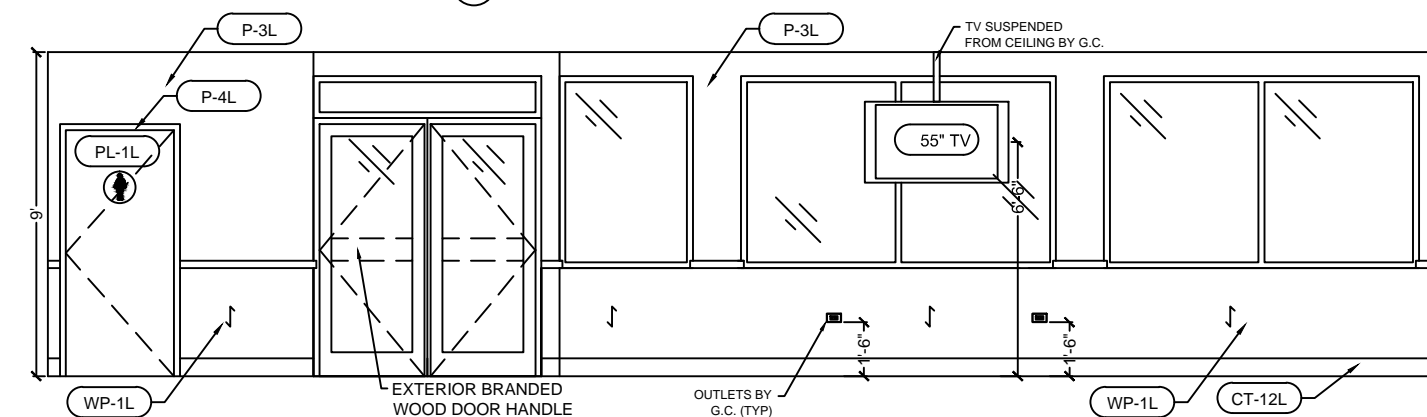
11 x 17 SIZE FORMAT



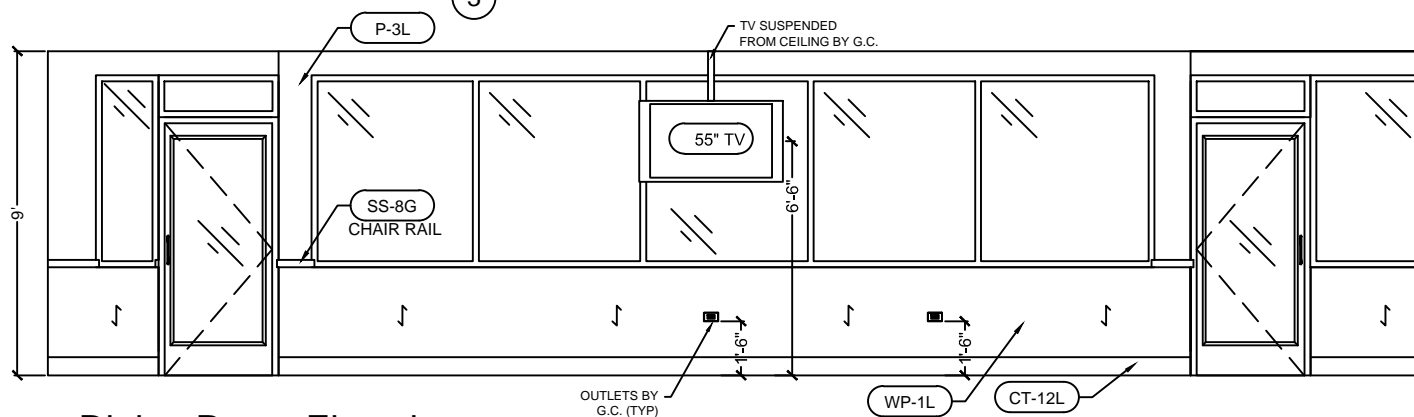
Dining Room Elevation 1



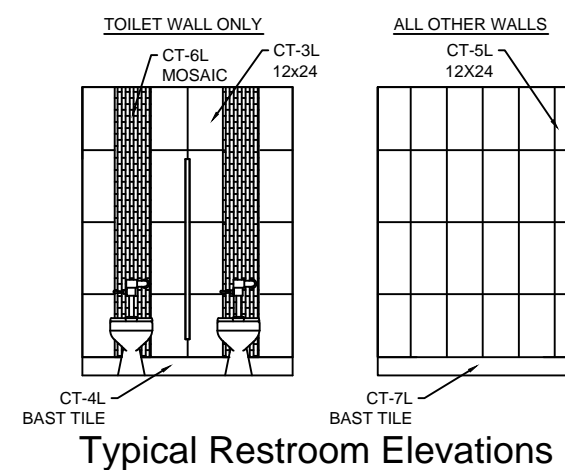
Dining Room Elevation 2



Dining Room Elevation 3



Dining Room Elevation 4



Typical Restroom Elevations

This drawing contains proprietary information by Seating Concepts. Unauthorized use or reproduction is prohibited without expressed written consent of Seating Concepts.

Project Contacts:

Please contact one of the following Seating Concepts team members to address any concerns you may have:

Customer Service:
Ken Hibben 815.730.7980 x 2253
Mel Randall 815.730.7980 x 2234
Krista Bagley 815.730.7980 x 2219

Interior Design:
Samantha Uthe 815.730.7980 x 2251
Lori Manion 815.730.7980 x 2242
Kimberly Sea 815.730.7980 x 444
Rita Gear 815.730.7980 x 2235
Deb Paulik 815.730.7980 x 443

**After delivery of decor if you have any questions please contact customer service at 815.730.7980



PROJECT: Improved 20/20 Light - BK Custom Red

LOCATION: Ashtabula, OH

ADDRESS: 3225 North Ridge East

STORE #: 9932

DRAWN BY: Lori C. Manion

PROJECT MANAGER: Zach DePyssler

SALES MANAGER: Mel Randall

DATE: 12-30-15

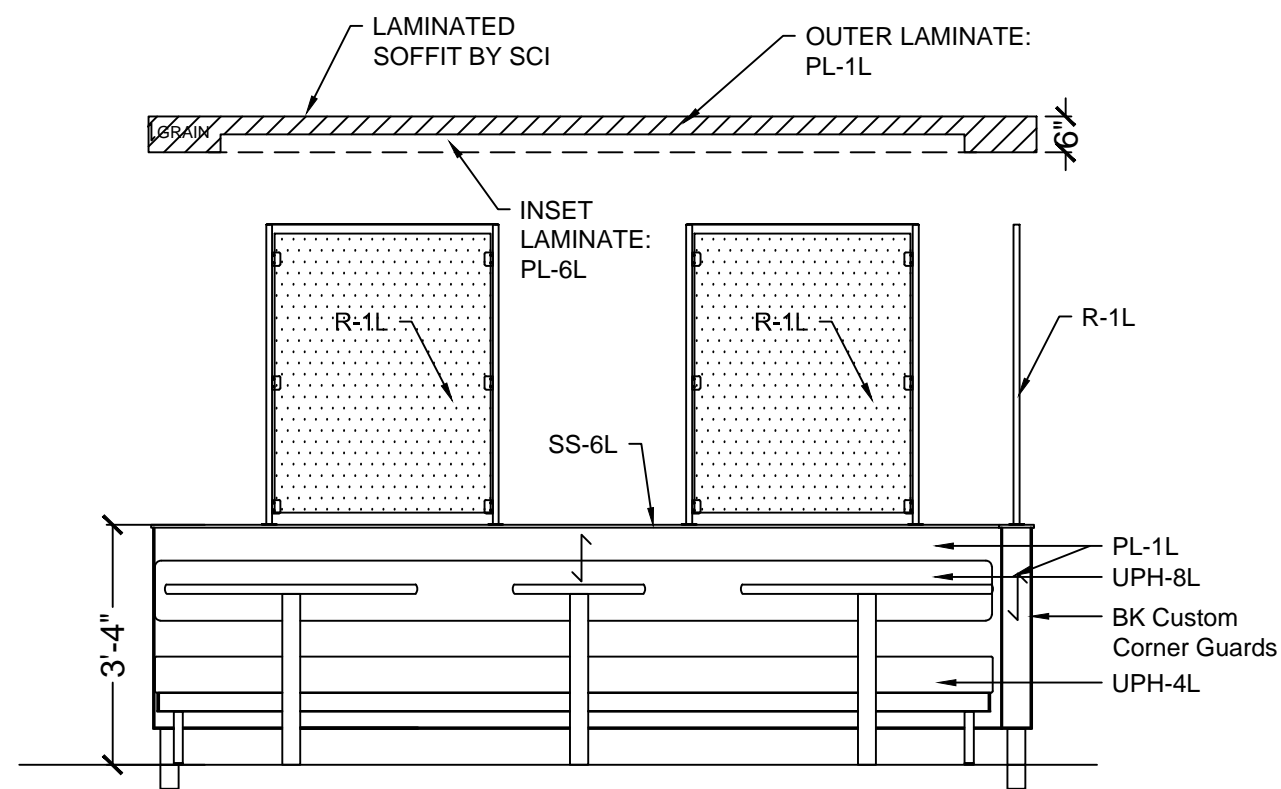
REVISION HISTORY			
DATE	REV #	DESCRIPTION	INITIALS
12-29-15	1	all freestanding in playground	LCM
01-11-16	2	per BKC	LCM
01-25-16	3	per BKC	LCM
01-25-16	4	revise to improve	SU
02-17-16	5	revise feature wall	DDP
03-22-16	6	per BKC	DDP

DRAWING TITLE: Elevations

SCALE: 3/8" = 1'-0"

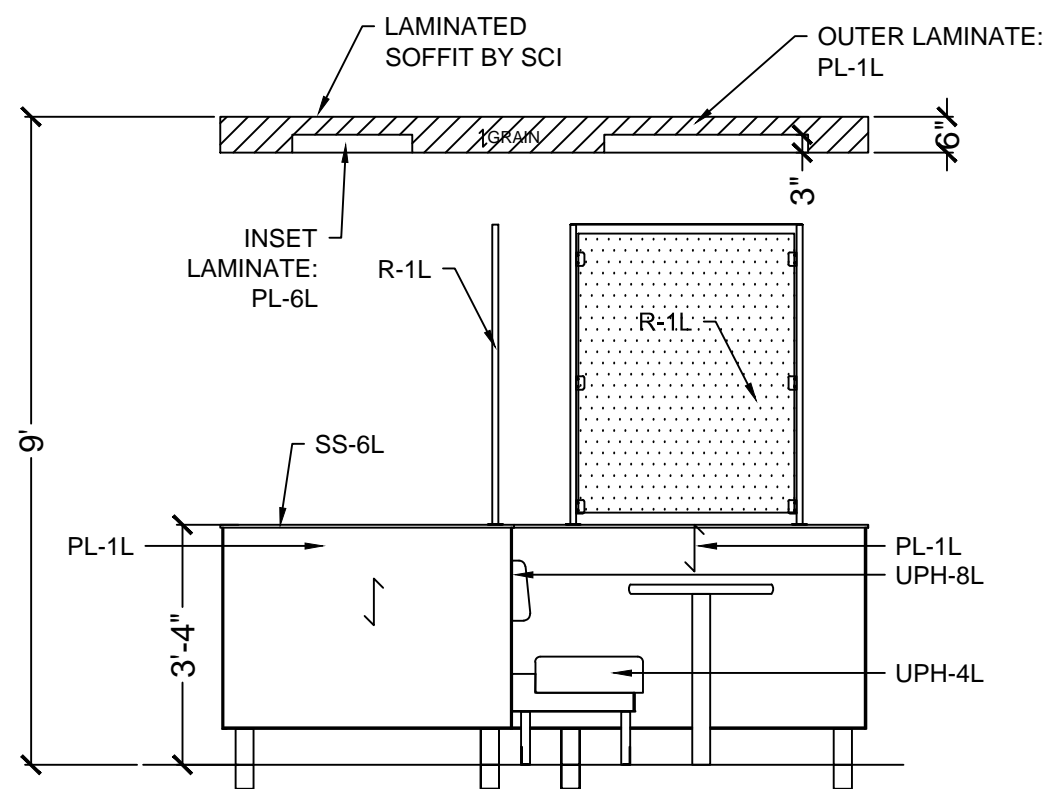
ID-8

11 x 17 SIZE FORMAT



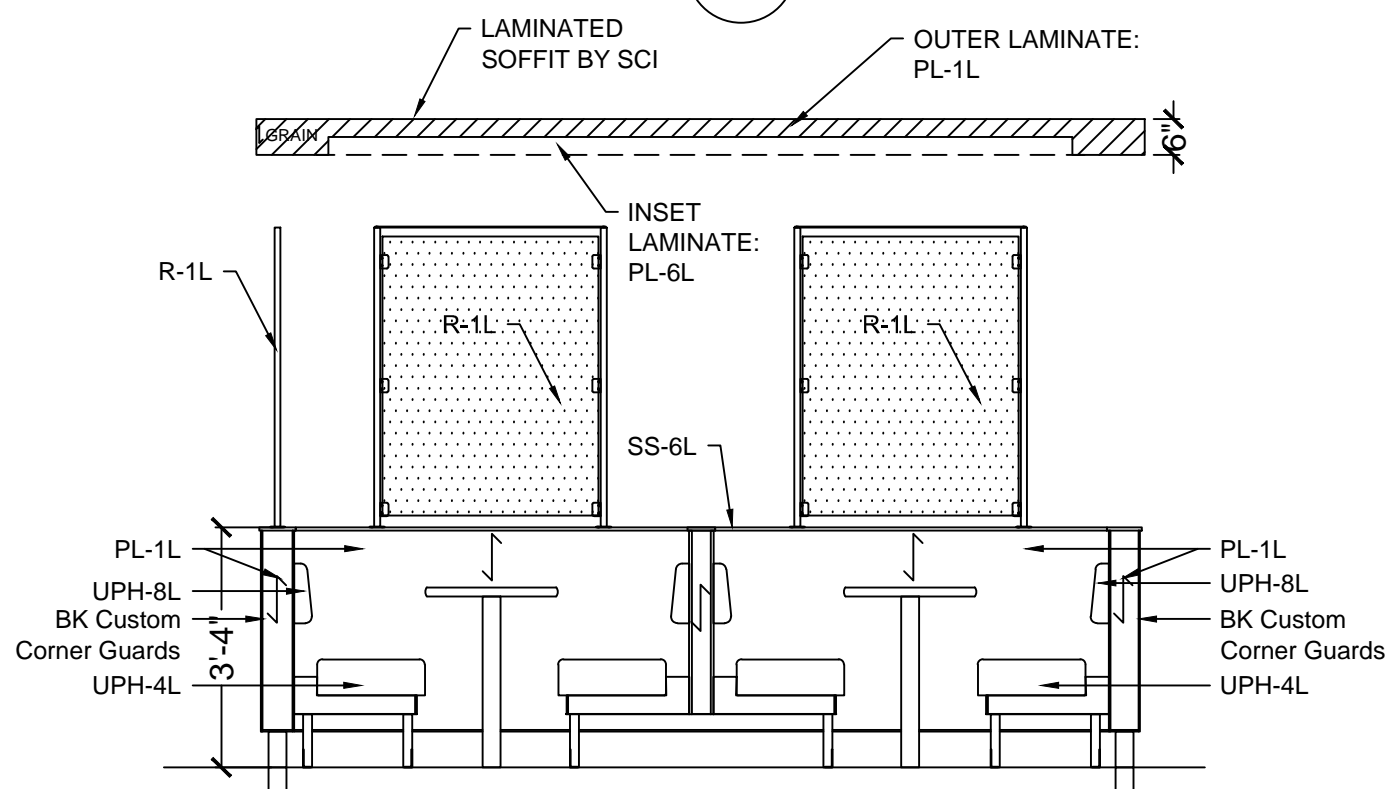
FW-Elevation

W1



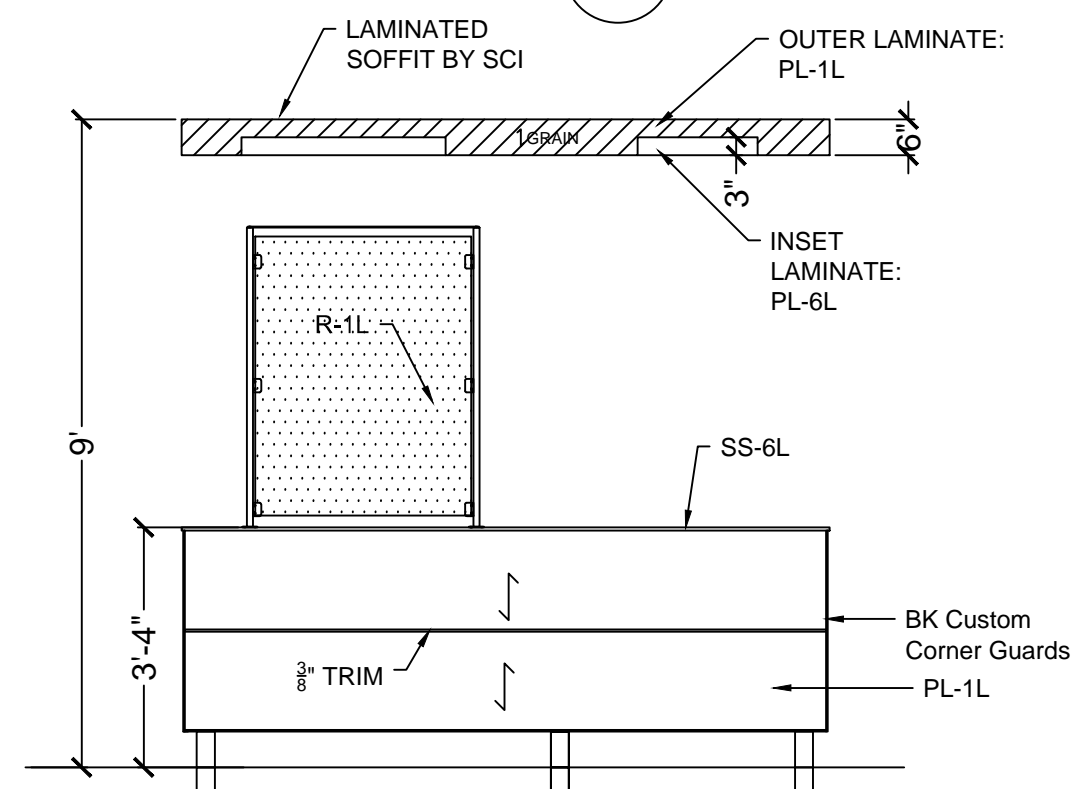
FW-Elevation

W2



FW-Elevation

W3



FW-Elevation

W4

SEATING CONCEPTS SPECIFICATIONS - BK CUSTOM RED

SEATING CONCEPTS SPECIFICATIONS - BK CUSTOM RED



125 Connell Ave
Rockdale, IL 60436

www.seating-concepts.com

T: 815.730.7980 F: 815.730.7969

This drawing contains proprietary information by Seating Concepts. Unauthorized use or reproduction is prohibited without expressed written consent of Seating Concepts.

Project Contacts:

Please contact one of the following Seating Concepts team members to address any concerns you may have:

Customer Service:	
Ken Hibben	815.730.7980 x 2253
Mel Randall	815.730.7980 x 2234
Krista Bagley	815.730.7980 x 2219

Interior Design:	
Samantha Uthe	815.730.7980 x 2251
Lori Manion	815.730.7980 x 2242
Kimberly Sea	815.730.7980 x 444
Rita Gear	815.730.7980 x 2235
Deb Paulik	815.730.7980 x 443

**After delivery of decor if you have any questions please contact customer service at 815.730.7980



PROJECT:
**Improved 20/20 Light
- BK Custom Red**

LOCATION: Ashtabula, OH

ADDRESS: 3225 North Ridge East

STORE #: 9932

DRAWN BY: Lori C. Manion

PROJECT MANAGER: Zach DePyssler

SALES MANAGER: Mel Randall

DATE: 12-30-15

REVISION HISTORY			
DATE	REV #	DESCRIPTION	INITIALS
12-29-15	1	all freestanding in playground	LCM
01-11-16	2	per BKC	LCM
01-25-16	3	per BKC	LCM
01-25-16	4	revise to improve	SU
02-17-16	5	revise feature wall	DDP
03-22-16	6	per BKC	DDP

DRAWING TITLE: Specifications

SCALE: NTS

ID-9

11 x 17 SIZE FORMAT

SEATING 40"H BOOTHS & SETTEES

STYLE: BK 2020 (ON LEGS)
BACK PAD: **UPH-3L** CF STINSON - AVANT - BONE AV130
VINYL SEAT PAD: **UPH-4L** CF STINSON - LAREDO - BRINDLE - L 19
LAMINATE: **PL-1L** WILSONART - NORTHERN PINE 11101K-12
SOLID SURFACE TOP CAP: **SS-6L** STARON - TEMPEST - ASPEN LILY AL646
POWDERCOATED LEGS: SHERWIN WILLIAMS CHROME #PAF8-C0008-50
BOOTH EDGING: REHAU - APPEARS LIKATRE 15/16" x 3mm CP20728

STRAIGHT SETTEES AT FEATURE WALL

BACK PAD STYLE: BK 2020 (ON LEGS)
BACK PAD ATTACHED TO WALL: **UPH-8L** CF STINSON - BK CUSTOM RED
VINYL SEAT PAD: **UPH-4L** CF STINSON - LAREDO - BRINDLE - L 19
BASE BOX LAMINATE: **PL-1L** WILSONART - NORTHERN PINE 11101K-12
POWDER COATED LEGS: SHERWIN WILLIAMS CHROME #PAF8-C0008-50
BOOTH EDGING: REHAU - APPEARS LIKATRE 15/16" x 3 mm CP20728

FS DRUM STOOL

STYLE: 2020 LIGHT
SEAT PAD: **UPH-8L** CF STINSON - BK CUSTOM RED
POWDER COATED BASE: SHERWIN WILLIAMS CHROME #PAF8-C0008-50

CHAIR AND BARSTOOL

CHAIR STYLE: BK-IE-CH-IMP-2SWB-RD (UT-230)
WOOD BACK: NATURAL
VINYL SEAT PAD: **UPH-8L** CF STINSON - BK CUSTOM RED
FRAME FINISH: SILVER
BARSTOOL STYLE: BK-IE-BS-IMP-2SWB-RD (UTBS-1230)
WOOD BACK: NATURAL
VINYL SEAT PAD: **UPH-8L** CF STINSON - BK CUSTOM RED
FRAME FINISH: SILVER

ARMLESS LOUNGE CHAIR

STYLE: ADDISON
BACK PAD: **UPH-9L** MAHARAM - LINEAGE - TUSOCK 466127 002
SEAT PAD: **UPH-7L** MAHARAM - LARIAT - TAUPE 440401 010
FRAME FINISH: SHERWIN WILLIAMS CHROME #PAF8-C0008-50

OCCASIONAL TABLE

EDGE STYLE: SERIES S200 EDGE BAND
LAMINATE: **PL-9L** NEVAMAR - VENERABLE OLD OAK WK0017T
PREMIUM TABLE EDGE: REHAU - MULTIPLEX #592E
BASES: SHERWIN WILLIAMS CHROME #PAF8-C0008-50

TABLE TOPS

EDGE STYLE: SERIES S300 T-MOLD EDGE
LAMINATE: **PL-9L** NEVAMAR - VENERABLE OLD OAK WK0017T
LAMINATE: **PL-5L** PIONITE - ABSOLUTE ACAJOU - WY160-N
T-MOLD EDGE: CHARTER - METALLIC SILVER - 1-1/4"
BASES: SHERWIN WILLIAMS CHROME #PAF8-C0008-50

COMMUNITY TABLE

WALL & SCREEN LAMINATE: **PL-1L** WILSONART - NORTHERN PINE 11101K-12
LAMINATE S200 TABLE TOP: **PL-5L** PIONITE - ABSOLUTE ACAJOU - WY160-N
PREMIUM TABLE EDGE: REHAU - MULTIPLEX #592E
RESIN PANEL: **R-1L** 3-FORM - TING TING 3/8" THICKNESS (PATENT FINISH ON FRONT & BACK)
WALL SOLID SURFACE TOP CAP: **SS-6L** STARON - TEMPEST - ASPEN LILY AL646
3/8" METAL TRIM
POSTS TO CEILING: SHERWIN WILLIAMS CHROME #PAF8-C0008-50
BK CUSTOM CORNER GUARD

BRANDED WOOD DOOR HANDLE

EXTERIOR
NAUTICAL FURNISHINGS, LLC,
CONTACT: MICHAEL HOGLUND (954) 771-1100
MHOGLUND@NAUTICALFURNISHINGS.COM
**G.C. TO COORDINATE WITH NAUTICAL
FURNISHINGS FOR DOOR FRAME FINISH & SIZE
OF DOOR HANDLE. G.C. TO PROVIDE PHOTOS
AND TO CONFIRM IF EXISTING CONDITION OF
DOOR WILL ALLOW FOR INSTALLATION OF
DOOR HANDLE. DOOR HANDLE IS NOT
REQUIRED IF EXISTING ENTRY DOOR DOES
NOT ALLOW INSTALLATION**

DIVIDER WALLS WITH LAMINATED BOXES

WALL AND SCREEN LAMINATE: **PL-1L** WILSONART - NORTHERN PINE 11101K-12
SOLID SURFACE TOP CAP: **SS-6L** STARON - TEMPEST - ASPEN LILY AL646 1/2" THICKNESS
POSTS TO CEILING: SHERWIN WILLIAMS CHROME #PAF8-C0008-50
BK CUSTOM CORNER GUARD

CUSTOM WALLS WITH LAMINATE AND RESIN PANEL

WALL AND SCREEN LAMINATE: **PL-1L** WILSONART - NORTHERN PINE 11101K-12
SOLID SURFACE TOP CAP: **SS-6L** STARON - TEMPEST - ASPEN LILY AL646 1/2" THICKNESS
RESIN PANEL: **R-1L** 3-FORM - TING TING 3/8" THICKNESS (PATENT FINISH ON FRONT & BACK)
3/8" METAL TRIM
POSTS: SHERWIN WILLIAMS CHROME #PAF8-C0008-50
BK CUSTOM CORNER GUARD

MILLWORK

TRASH ENCLOSURE

STYLE: BK 2020 LIGHT
BASE CABINET FINISH: **PL-1L** WILSONART - NORTHERN PINE 11101K-12
TOP SOLID SURFACE: **SS-6L** STARON - TEMPEST - ASPEN LILY AL646
T-MOLD: METALLIC SILVER
'FEED ME' GRAPHIC BY GRAPHICS VENDOR

FRONT COUNTER TOP

SOLID SURFACE COUNTER W/ 3" FRONT DROP: **SS-6L** STARON - TEMPEST - ASPEN LILY AL646

40"H IMPROVED FEATURE WALL

WALLS: **PL-1L** WILSONART - NORTHERN PINE 11101K-12
SOLID SURFACE TOP CAP: **SS-6L** STARON - TEMPEST - ASPEN LILY AL646 1/2" THICKNESS
RESIN PANEL: **R-1L** 3-FORM - TING TING 3/8" THICKNESS (PATENT FINISH ON FRONT & BACK)
BK CUSTOM CORNER GUARDS
POWDER COATED POSTS: SHERWIN WILLIAMS CHROME #PAF8-C0008-50

DECORATIVE GLASS PENDANT

BESA CIERRO PENDANT
P4 - RUBY GLASS
120V MIDI
DIMENSIONS: 5.375" D X 9.375" H
13 WATT CFL
10' CORD
SUPPLIED BY LSI INDUSTRIES, INC.

LAMINATED SOFFIT

OUTER LAMINATE: **PL-1L** WILSONART - NORTHERN PINE 11101K-12
INNER LAMINATE: **PL-6L** FORMICA - GRENADINE 6902-58

GENERAL CONTRACTOR SPECIFICATIONS - BK CUSTOM RED

DRINK STATION

SUPPLIED BY KES (LAMINATED - VENERABLE OLD OAK WITH METAL ACCENTS - IF USING LAMINATED FSC FASCIA)

FRONT COUNTER FASCIA

TILE: CT-20L - GRANITI FIANDRE - LEGNI HIGH TECH - ROVERE MOKA 6"X36" STACKED BOND

WAINSCOT

WP-1L GENERAL WAINSCOT - WILSONART - NORTHERN PINE 11101K-12
LAMINATE ADHERED TO 1/4" PVC SUBSTRATE WITH Z LOCK VERTICAL JOINTS
CONTACT: PATTY GOFFE @ WILSONART (678) 296-7271

CHAIR RAIL & WINDOW SILLS

SOLID SURFACE: **SS-6L** STARON - TEMPEST - ASPEN LILY AL646

PAINTED GYP BOARD SOFFIT

OUTER: **P-14L** PPG - FLAMING RED
PLEASE SEE PAINT SPECS FOR DETAILED INFORMATION

BK GRAPHICS INCLUDING 'MANIFESTO' & "FLAME GRILLING NOW" @ KITCHEN DOOR

GRAPHIC VENDORS:
Moss Retail, Contact: Ruth Eichler (773) 435-7655
OR
VGS, Inc. Contact: Greg Moroz (201) 528-9680

NOTE: RECOMMENDED ITEMS MAY HAVE LONG LEAD TIMES OR LIMITED AVAILABILITY. GC IS RESPONSIBLE FOR ORDERING ITEMS WITH SUFFICIENT TIME FRAME TO ENSURE DELIVERY ON SCHEDULE. ALTERNATE FINISHES MAY BE AVAILABLE.

INTERIOR BUILDING SPECIFICATIONS -- ACT CEILING TILE, FLOOR TILE



125 Connell Ave
Rockdale, IL 60436

www.seating-concepts.com

T: 815.730.7980 F: 815.730.7969

This drawing contains proprietary information by Seating Concepts. Unauthorized use or reproduction is prohibited without expressed written consent of Seating Concepts.

Project Contacts:

Please contact one of the following Seating Concepts team members to address any concerns you may have:

Customer Service:
Ken Hibben 815.730.7980 x 2253
Mel Randall 815.730.7980 x 2234
Krista Bagley 815.730.7980 x 2219

Interior Design:
Samantha Uthe 815.730.7980 x 2251
Lori Manion 815.730.7980 x 2242
Kimberly Sea 815.730.7980 x 444
Rita Gear 815.730.7980 x 2235
Deb Paulik 815.730.7980 x 443

**After delivery of decor if you have any questions please contact customer service at 815.730.7980



PROJECT:
**Improved 20/20 Light
- BK Custom Red**

LOCATION: Ashtabula, OH

ADDRESS: 3225 North Ridge East

STORE #: 9932

DRAWN BY: Lori C. Manion

PROJECT MANAGER: Zach DePyssler

SALES MANAGER: Mel Randall

DATE: 12-30-15

REVISION HISTORY			
DATE	REV #	DESCRIPTION	INITIALS
12-29-15	1	all freestanding in playground	LCM
01-11-16	2	per BKC	LCM
01-25-16	3	per BKC	LCM
01-25-16	4	revise to improve	SU
02-17-16	5	revise feature wall	DDP
03-22-16	6	per BKC	DDP

DRAWING TITLE:
Interior Building Specifications

SCALE: NTS

ID-10

11 x 17 SIZE FORMAT

1/27/2016							
CODE	MATERIAL	LOCATION	MANUFACTURER	PRODUCT	DESCRIPTION	ADDITIONAL INFORMATION	
BURGER KING- 20/20 LIGHT INTERIOR							
INTERIOR MATERIALS & FINISH SCHEDULE ** TO BE USED WITH 20/20 LIGHT GUIDELINES DOC.							
ACOUSTICAL CEILING							
ACT-1L	ACOUSTICAL CEILING TILE	DINING	ARMSTRONG	FINE FISSURED	WHITE	2' X 2' X 3/4"	
				#173E	GRID: 2 x2 ANGLED REGULAR 15/16		CONTACT: LOUIS J. JOHN - NATIONAL ACCOUNTS MANAGER 407-697-6788 LJJOHN@ARMSTRONG.COM
ACT-1L	ACOUSTICAL CEILING TILE	DINING		FINE FISSURED	ADOBE	2' X 2' X 3/4"	
UPGRADE				#173E	GRID: 2 x2 ANGLED REGULAR 15/16		
ACT-2L	ACOUSTICAL CEILING TILE	BACK OF HOUSE		*BP672	PANEL COLOR: WHITE	2' X 4' X 1/2"	
				KITCHEN ZONE	GRID: PRELUDE 15/16" EXPOSED TEE GRID		CONTACT: ARMSTRONG STRATEGIC ACCOUNTS (800) 442-4212
ACT-1L	ACOUSTICAL CEILING TILE	DINING	USG INTERIORS	WHITE	PANEL COLOR: WHITE	2' X 2' X 3/4"	
				RADAR CLIMA PLUS #2210	GRID: Dome DX/DXL		CONTACT: CHRIS BENJAMIN @ USG 312-436-5458 CBENJAMIN@USG.COM
ACT-1L	ACOUSTICAL CEILING TILE	DINING		TALPE	PANEL COLOR: TALPE	2' X 2' X 3/4"	
UPGRADE				RADAR CLIMA PLUS #2210	GRID: Dome DX/DXL		
ACT-2L	ACOUSTICAL CEILING TILE	BACK OF HOUSE		SHEETROCK BRAND LAY-IN	PANEL COLOR: WHITE	2' X 4' X 1/2"	
				CEILING PANEL CLIMAPLUS #3270	GRID: Dome DX/DXL		
FLOOR & WALL FINISHES AT DINING, RESTROOMS & BACK OF HOUSE							
DECORATIVE FLOOR & WALL TILES OPTION A							
CT-1L	CERAMIC TILE	ACCENT TILE	INTERCERAMIC	FORESTLAND	CYPRESS	6" X 24"	
							CONTACT: INTERCERAMIC NATIONAL ACCOUNTS - 214-563-4812 JOSE VALDEZ jvaldez@interceramic.com Phone: (214) 503-5507 MICHAEL MORRIS - CORPORATE ACCOUNTS MANAGER 704-907-7918 MMORRIS@INTERCERAMIC.COM
CT-2L	CERAMIC TILE	FIELD TILE		ADVANCED GRIGIO	ADVANCED GRIGIO	12" X 24"	NOTE: USE WITH GR-1L NOTE: USE WITH GR-8L
CT-3L	CERAMIC TILE	RESTROOMS		CONCRETE	DARK GRAY	12" X 12"	NOTE: USE WITH GR-3L
CT-4L	CERAMIC TILE	FLOORING/WALL		CONCRETE	DARK GRAY	6" X 8"	NOTE: USE WITH GR-3L
CT-5L	CERAMIC TILE	RESTROOMS		CONCRETE	BEIGE	12" X 12"	NOTE: USE WITH GR-4L
CT-7L	CERAMIC TILE	COVE BASE		CONCRETE	BEIGE	6" X 8"	NOTE: USE WITH GR-4L
CT-8L	CERAMIC TILE	RESTROOMS		CONCRETE	BEIGE	4" X 12"	NOTE: USE WITH GR-4L
CT-9L	CERAMIC TILE	RESTROOMS		CONCRETE	BEIGE	4" X 12"	NOTE: USE WITH GR-4L
CT-12L	CERAMIC TILE	DINING AREA		ADVANCED GRIGIO	ADVANCED GRIGIO	6" X 24" (CUT TILE)	NOTE: USE WITH GR-8L
CT-12L	CERAMIC TILE	BULLNOSE DINING AREA		ADVANCED GRIGIO	ADVANCED GRIGIO	3" X 24" BULLNOSE	NOTE: USE WITH GR-8L
DECORATIVE FLOOR & WALL TILES OPTION B							
CT-1L	CERAMIC TILE	ACCENT TILE	GRANITI FIANDRE	EUROWEST	COCO WOOD	6" X 24"	
							CONTACT: JAN DETER AT EUROWEST (714) 309-9551 JOY KLEIN 813-334-3302 jklein@tranceramica.com
CT-1L (ALT)	CERAMIC TILE	ACCENT TILE		EUROWEST	COCO WOOD	12" X 24"	NOTE: USE WITH GR-1L NOTE: USE WITH GR-1L
CT-2L	CERAMIC TILE	FIELD TILE		EUROWEST	BK CLASSIC	12" X 24"	NOTE: USE WITH GR-8L
CT-3L	CERAMIC TILE	RESTROOMS		EUROWEST	HONED	12" X 24" or 12" X 12"	NOTE: USE WITH GR-3L
CT-4L	CERAMIC TILE	FLOORING/WALL		EUROWEST	FINISH: HONED	6" X 12"	NOTE: USE WITH GR-3L
CT-4L	CERAMIC TILE	COVE BASE		EUROWEST	NIHON NORI	6" X 12"	NOTE: USE WITH GR-3L
CT-5L	CERAMIC TILE	RESTROOMS		EUROWEST	COVEBASE	12" X 24" or 12" X 12"	NOTE: USE WITH GR-4L
CT-6L	CERAMIC TILE	RESTROOMS		EUROWEST	YUKI	12" X 24" or 12" X 12"	NOTE: USE WITH GR-4L
CT-6L	CERAMIC TILE	WALL ACCENT		EUROWEST	FINISH: HONED		
CT-7L	CERAMIC TILE	RESTROOMS TOILET WALL		EUROWEST	ISHI BAMBOO MOSAIC	MOSAIC	NOTE: USE WITH GR-12L TO BE APPLIED BEHIND TOILET. RUN VERTICALLY.
CT-7L	CERAMIC TILE	COVE BASE		EUROWEST	YUKI	6" X 12"	NOTE: USE WITH GR-4L
CT-8L	CERAMIC TILE	RESTROOMS	EUROWEST	YUKI	3" X 12"	NOTE: USE WITH GR-4L	
CT-8L	CERAMIC TILE	BULLNOSE	EUROWEST	YUKI	3" X 12"	NOTE: USE WITH GR-4L	
CT-9L	CERAMIC TILE	RESTROOMS	TCL	752060 BIANCO WHITE	10" X 18"	NOTE: USE WITH GR-5L	
CT-9L	CERAMIC TILE	FOOD PREP		GLOSS			
CT-12L	CERAMIC TILE	DINING AREA	EUROWEST	BK CLASSIC	6" X 24" (CUT TILE)	NOTE: USE WITH GR-1L	
CT-12L	CERAMIC TILE	BASE	EUROWEST	HONED			
CT-14L	CERAMIC TILE	BEVERAGE STATION TILE	EUROWEST	RITMO ROSSO	8" X 13"	CONTACT: JAN DETER AT EUROWEST (714) 309-9551 JOY KLEIN 813-334-3302 jklein@tranceramica.com	
(SEE NOTE FOR USAGE)		BACK WALL				NOTE: USE WITH GR-13L TO BE USED WITH P-14L / PL-6L / UPH-8L REFER TO 2020 LIGHT GUIDELINES	
DECORATIVE FLOOR & WALL TILES OPTION C							
CT-1L	CERAMIC TILE	ACCENT TILE	EMSER TILE	ALPINE	ESPRESSO	6" X 36"	
							CONTACT: TAMARA RAMSEY (303) 902-3992
CT-2L	CERAMIC TILE	FIELD TILE		SANDSTONE	BEIGE	12" X 24"	NOTE: USE WITH GR-1L NOTE: USE WITH GR-8L
CT-3L	CERAMIC TILE	RESTROOMS		SPECULAR	NYSHIRA	12" X 12"	NOTE: USE WITH GR-3L
CT-4L	CERAMIC TILE	COVE BASE		SPECULAR	NYSHIRA	6" X 12"	NOTE: USE WITH GR-3L
CT-5L	CERAMIC TILE	RESTROOMS		SPECULAR	COVE		
CT-5L	CERAMIC TILE	RESTROOMS		SPECULAR	ACAMAR	12" X 12"	NOTE: USE WITH GR-4L
CT-7L	CERAMIC TILE	COVE BASE		SPECULAR	ACAMAR	6" X 12"	NOTE: USE WITH GR-4L
CT-7L	CERAMIC TILE	RESTROOMS		SPECULAR	ACAMAR	6" X 12"	NOTE: USE WITH GR-4L
CT-8L	CERAMIC TILE	BULLNOSE		SPECULAR	ACAMAR	3" X 12"	NOTE: USE WITH GR-4L
CT-8L	CERAMIC TILE	RESTROOMS		BASIX	WHITE GLOSS	4" X 16"	NOTE: USE WITH GR-5L
CT-9L	CERAMIC TILE	FOOD PREP		F88BASTWHD416P			
CT-12L	CERAMIC TILE	DINING AREA	SANDSTONE	BEIGE	6" X 24" (CUT TILE)	NOTE: USE WITH GR-1L	
DECORATIVE FLOOR & WALL TILES OPTION D							
CT-1L	CERAMIC TILE	ACCENT TILE	DAL-TILE	TIMBER GLEN	P6114241P	4" X 24"	
							CONTACT: DAL TILE SUPPORT CENTER @ (877) 556-5728
CT-2L	CERAMIC TILE	FIELD TILE		HICKORY	S140	12" X 24"	NOTE: USE WITH GR-1L NOTE: USE WITH GR-8L
CT-3L	CERAMIC TILE	RESTROOMS		SAN MICHELLE	S140	12" X 24"	NOTE: USE WITH GR-1L NOTE: USE WITH GR-8L
CT-3L	CERAMIC TILE	RESTROOMS		TORREON	TN99	12" X 12"	NOTE: USE WITH GR-3L
CT-4L	CERAMIC TILE	COVE BASE		TORREON	COAL	6" X 12"	CONTACT: DAL TILE SUPPORT CENTER @ (877) 556-5728 OR ALEXANDRA STEFAN (305) 975-0889 (3-4 WEEKS LEAD TIME)
CT-5L	CERAMIC TILE	RESTROOMS		TORREON	TN99	6" X 12"	NOTE: USE WITH GR-3L
CT-5L	CERAMIC TILE	RESTROOMS		TORREON	COAL	12" X 12"	NOTE: USE WITH GR-4L
CT-7L	CERAMIC TILE	COVE BASE		TORREON	TN95	6" X 12"	NOTE: USE WITH GR-4L
CT-7L	CERAMIC TILE	RESTROOMS		TORREON	CLOUD	6" X 12"	NOTE: USE WITH GR-4L
CT-8L	CERAMIC TILE	BULLNOSE		TORREON	TN99	6" X 12"	NOTE: USE WITH GR-4L
CT-8L	CERAMIC TILE	RESTROOMS		TORREON	P-38C9T	6" X 12"	NOTE: USE WITH GR-4L
CT-9L	CERAMIC TILE	FOOD PREP	POLARIS	PL02	12" X 18"	NOTE: USE WITH GR-5L	
CT-12L	CERAMIC TILE	DINING AREA BASE	SAN MICHELLE	S140	6" X 24" (CUT TILE)	NOTE: USE WITH GR-1L	
CT-24L	CERAMIC TILE	BEVERAGE STATION TILE	CANDY APPLE RED	Q-P93	6" X 8"	CONTACT: DAL TILE SUPPORT CENTER @ (877) 556-5728 NOTE: USE WITH UPH-1L / P-1L / P-7L / PL-7L NOTE: USE WITH GROUT GR-13L	

GENERAL CONTRACTOR SPECIFICATIONS -- GROUT, WALL TILE



125 Connell Ave
Rockdale, IL 60436

www.seating-concepts.com

T: 815.730.7980 F: 815.730.7969

This drawing contains proprietary information by Seating Concepts. Unauthorized use or reproduction is prohibited without expressed written consent of Seating Concepts.

Project Contacts:

Please contact one of the following Seating Concepts team members to address any concerns you may have:

Customer Service:
Ken Hibben 815.730.7980 x 2253
Mel Randall 815.730.7980 x 2234
Krista Bagley 815.730.7980 x 2219

Interior Design:
Samantha Uthe 815.730.7980 x 2251
Lori Manion 815.730.7980 x 2242
Kimberly Sea 815.730.7980 x 444
Rita Gear 815.730.7980 x 2235
Deb Paulik 815.730.7980 x 443

**After delivery of decor if you have any questions please contact customer service at 815.730.7980



PROJECT:
**Improved 20/20 Light
- BK Custom Red**

LOCATION: Ashtabula, OH

ADDRESS: 3225 North Ridge East

STORE #: 9932

DRAWN BY: Lori C. Manion

PROJECT MANAGER: Zach DePyssler

SALES MANAGER: Mel Randall

DATE: 12-30-15

REVISION HISTORY			
DATE	REV #	DESCRIPTION	INITIALS
12-29-15	1	all freestanding in playground	LCM
01-11-16	2	per BKC	LCM
01-25-16	3	per BKC	LCM
01-25-16	4	revise to improve	SU
02-17-16	5	revise feature wall	DDP
03-22-16	6	per BKC	DDP

DRAWING TITLE:
Interior Building Specifications

SCALE: NTS

ID-11

11 x 17 SIZE FORMAT

GROUT								
GR-1L	GROUT	ACCENT TILE	CUSTOM BUILDING PRODUCTS	POLYBLEND SANDED	#185 - NEW TAUPE		NOTE: USE WITH CT-1L *** FOR SETTING MATERIALS USE COMPLETE CONTACT RAPID SET	
			MAPEI	SANDED	#09 GRIS		NOTE: USE WITH CT-1L *** FOR SETTING MATERIALS USE MAPEI ULTRA-CONTACT-GRAY	
GR-2L	GROUT	WALL TILE	CUSTOM BUILDING PRODUCTS	POLYBLEND SANDED	#101 QUARTZ		NOTE: USE WITH CT-16L *** FOR SETTING MATERIALS USE COMPLETE CONTACT RAPID SET	
			MAPEI	SANDED	#14 BISCUIT		NOTE: USE WITH CT-16L *** FOR SETTING MATERIALS USE MAPEI ULTRA-CONTACT-GRAY	
GR-3L	GROUT	RESTROOMS	CUSTOM BUILDING PRODUCTS	POLYBLEND SANDED	#19 PEWTER		NOTE: USE WITH CT-3L, CT-4L *** FOR SETTING MATERIALS USE COMPLETE CONTACT RAPID SET	
			MAPEI	SANDED	#47 CHARCOAL		NOTE: USE WITH CT-3L, CT-4L *** FOR SETTING MATERIALS USE MAPEI ULTRA-CONTACT-GRAY	
GR-4L	GROUT	RESTROOMS	CUSTOM BUILDING PRODUCTS	POLYBLEND SANDED	#101 QUARTZ		NOTE: USE WITH CT-5L, CT-7L, CT-8L *** FOR SETTING MATERIALS USE COMPLETE CONTACT RAPID SET	
			MAPEI	SANDED	#44 PALE UMBER		NOTE: USE WITH CT-5L, CT-7L, CT-8L *** FOR SETTING MATERIALS USE MAPEI ULTRA-CONTACT-GRAY	
GR-5L	GROUT	FOOD PREP	CUSTOM BUILDING PRODUCTS	POLYBLEND SANDED	#381 - BRIGHT WHITE		NOTE: USE WITH CT-9L *** FOR SETTING MATERIALS USE COMPLETE CONTACT RAPID SET	
			MAPEI	ULTRA COLOR UNSANDED	#38 AVALANCHE		NOTE: USE WITH CT-9L *** FOR SETTING MATERIALS USE MAPEI ULTRA-CONTACT-GRAY	
GR-8L	GROUT	FIELD TILE	CUSTOM BUILDING PRODUCTS	POLYBLEND SANDED	#386 OYSTER GRAY		NOTE: USE WITH CT-2L *** FOR SETTING MATERIALS USE COMPLETE CONTACT RAPID SET	
			MAPEI	ULTRA COLOR UNSANDED	#02 PEWTER		NOTE: USE WITH CT-2L *** FOR SETTING MATERIALS USE MAPEI ULTRA-CONTACT-GRAY	
GR-9L	GROUT	FSC & ACCENT WALL TILE	LATICRETE	POLYBLEND SANDED	#66 CHESTNUT BROWN		NOTE: USE WITH CT-18L *** FOR SETTING MATERIALS USE COMPLETE CONTACT RAPID SET	
GR-11L	GROUT	FIELD TILE	CUSTOM BUILDING PRODUCTS	POLYBLEND SANDED	#145 LIGHT SMOKE		NOTE: USE WITH WP-1L *** FOR SETTING MATERIALS USE COMPLETE CONTACT RAPID SET	
			MAPEI	ULTRA COLOR UNSANDED	#05 CHAMOIS		NOTE: USE WITH WP-1L	
GR-12L	GROUT	RESTROOM	LATICRETE	POLYBLEND SANDED	#24 NATURAL GREY		NOTE: USE WITH CT-6L *** FOR SETTING MATERIALS USE COMPLETE CONTACT RAPID SET	
GR-13L	GROUT	BEVERAGE STATION TILE	MAPEI	ULTRA COLOR UNSANDED	#05 CHAMOIS		NOTE: USE WITH CT-14L AND CT-24L *** FOR SETTING MATERIALS USE MAPEI ULTRA-CONTACT-GRAY	
GR-14L	GROUT	FSC KNEEWALL / ACCENT WALL	CUSTOM BUILDING PRODUCTS	POLYBLEND SANDED	#52 TOBACCO BROWN		NOTE: USE WITH CT-20L *** FOR SETTING MATERIALS USE COMPLETE CONTACT RAPID SET	
BACK OF HOUSE FLOOR TILE								
CT-10L	QUARRY TILE	BACK OF HOUSE FLOORING	DAL-TILE	QUARRY TILE	0Q42 ARID GRAY	6" X 6"	NOTE: USE WITH GR-6L ***ADD ABRASIVE GRAIN	
CT-11L	QUARRY TILE BASE	BACK OF HOUSE COVE BASE	DAL-TILE	QUARRY TILE	Q-3565	5" X 6"	NOTE: USE WITH GR-6L	
GR-6L	GROUT	BACK OF HOUSE	LATICRETE	SPECTRALOCK 2000 IG	COVE BASE - ARID GRAY # 45 "RAVEN"		NOTE: USE WITH CT-10L, CT-11L CONTACT: KIRBY DAVIS AT LATICRETE (203) 671-7210	
TS-1L	TRANSITION STRIP	CERAMIC TILE TO CERAMIC TILE	SCHLUTER SYSTEMS	TRANSITION PROFILES FOR FLOORS	SCHIENE (RADIUS) AE 100 - R, SATIN ANODIZED ALUMINUM 3/8" - 10MM		CONTACT: EARL MAICUS AT SCHLUTER SYSTEMS 800-267-0817 EMAICUS@SCHLUTER.COM	
WALL FINISHES / PAINT								
CT-16L	STONE	WALL ACCENT	DAL-TILE	MOONGLOW	MS80	12" x 12"	CONTACT: DAL TILE SUPPORT CENTER @ (877) 556-5728 OR ALEXANDRA STEFAN (305)975-0689 (3-4 WEEKS LEAD TIME)	
				IMPERIAL STACK STONE - MESA GRAY (VENEERSTONE)	CHISELED READY STACK			
			EMSER TILE	SPLIT FACE OFFSET BEIGE	ANTIQUE & TUMBLED STONE	12" x 12"	CONTACT: TAMARA RAMSEY (303) 902-3992 NOTE: USE WITH GR-2L	
			INTERCERAMIC	DESERT TRAVONYA SPLIT FACE STONE	ANTIQUE & TUMBLED STONE	12" x 12"	Manufacturer Recommended Sealer: Miracle Sealants 511 Impregnator CONTACT: JOSE VALDEZ jvaldez@interceramic.com Phone: (214) 503-5507 JOSE VALDEZ jvaldez@interceramic.com Phone: (214) 503-5507 MICHAEL MORRIS - CORPORATE ACCOUNTS MANAGER 704-907-7918 MMORRIS@INTERCERAMIC.COM	
CT-20L	CERAMIC TILE	FSC KNEE WALL & ACCENT WALL	GRANITI FIANDRE	LENGI HIGH TECH	ROVERE MOKA	6" X 36" STACKED BOND	CONTACT: JAN DETER AT EUROWEST (714) 309-9551 JOY KLEIN 813-334-3302 jklein@transceramica.com NOTE: USE WITH GR-14L	
CT-21L	CERAMIC TILE	WALL ACCENT	DAL-TILE	KIMONA SILK	P320	12" x 24"	CONTACT: DAL TILE SUPPORT CENTER @ (877) 556-5728 NOTE: CAN BE PROVIDED FOR LOCATION THAT REQUIRES LIGHTER COLOR TILES BEHIND BEVERAGE STATION NOTE: USE WITH GR-2L	
					WHITE ORCHID			Exception form to include building department health requirements which does not allow the use of a natural stone on the FSC corner wall.
			GRANITI FIANDRE	T577	WILD SILK	12" x 24"	CONTACT: JAN DETER AT EUROWEST (714) 309-9551 JOY KLEIN 813-334-3302 jklein@transceramica.com NOTE: CAN BE PROVIDED FOR LOCATION THAT REQUIRES LIGHTER COLOR TILES BEHIND BEVERAGE STATION NOTE: USE WITH GR-2L	
CT-24L	CERAMIC TILE	BEVERAGE STATION TILE BACK WALL	DAL-TILE	CANDY APPLE RED	Q-F93	6" x 8"	CONTACT: DAL TILE SUPPORT CENTER @ (877) 556-5728 NOTE: USE WITH UPH-1L / P-1L / P-7L / PL-7L	
FRP-1L	FIBERGLASS REINFORCED PANEL	BACK OF HOUSE	MARLITE	STANDARD FRP	S100 S2S		CONTACT: MIKE FREW AT MARLITE (330) 260-7623 MFREW@marlite.com	
MT-1L	METAL	FRONT COUNTER ACCENT		BAR STOCK	CLEAR ALUMINUM	1/4" X 1/4"	CUSTOMER SERVICE - (330) 343-6621	

GENERAL CONTRACTOR SPECIFICATIONS -- PAINT, LAMINATES



125 Connell Ave
Rockdale, IL 60436

www.seating-concepts.com

T: 815.730.7980 F: 815.730.7969

This drawing contains proprietary information by Seating Concepts. Unauthorized use or reproduction is prohibited without expressed written consent of Seating Concepts.

Project Contacts:

Please contact one of the following Seating Concepts team members to address any concerns you may have:

Customer Service:
Ken Hibben 815.730.7980 x 2253
Mel Randall 815.730.7980 x 2234
Krista Bagley 815.730.7980 x 2219

Interior Design:
Samantha Uthe 815.730.7980 x 2251
Lori Manion 815.730.7980 x 2242
Kimberly Sea 815.730.7980 x 444
Rita Gear 815.730.7980 x 2235
Deb Paulik 815.730.7980 x 443

**After delivery of decor if you have any questions please contact customer service at 815.730.7980



PROJECT:
Improved 20/20 Light
- BK Custom Red

LOCATION: Ashtabula, OH

ADDRESS: 3225 North Ridge East

STORE #: 9932

DRAWN BY: Lori C. Manion

PROJECT MANAGER: Zach DePyssler

SALES MANAGER: Mel Randall

DATE: 12-30-15

REVISION HISTORY			
DATE	REV #	DESCRIPTION	INITIALS
12-29-15	1	all freestanding in playground	LCM
01-11-16	2	per BKC	LCM
01-25-16	3	per BKC	LCM
01-25-16	4	revise to improve	SU
02-17-16	5	revise feature wall	DDP
03-22-16	6	per BKC	DDP

DRAWING TITLE:
Interior Building Specifications

SCALE: NTS

ID-12

11 x 17 SIZE FORMAT

ITEM #	DESCRIPTION	FINISH	REMARKS	CONTACT
P-1L (SEE NOTE FOR USAGE)	PAINT INTERIOR BULKHEAD & SOFFIT ACCENT -RED	PRIMER: 17-921 (Primer Color Grey) PAINT: PPG 6-411 (A/R. PPG 25-250) Eggshell	RED LETTER DAY 10YR 15/500 ABOVE FSC REMODELS	Contact: Rick Garlin PPG Corporate National Accounts Manager phone: 317-318-5800 email: garlin@ppg.com P-1L AND P-7L TO BE USED WITH UPH-1L AND PL-7L REFER TO 2020 LIGHT GUIDELINES FOR FURTHER DIRECTIONS
P-2L	PAINT EXPOSED CEILING ACCENT: BLACK MENU BOARD SOFFIT	PRIMER: 17-921 (Primer Color Grey) PAINT: PPG 6-411 (A/R. PPG 25-250) Eggshell	DEEP ONYX 00NN 07/000	SOFFIT PLASTER FINISH TO BE "ORANGE PEEL" TYPE (EGGSHELL/SPLATTER) WALL PLASTER FINISH TO BE "ORANGE PEEL" TYPE (EGGSHELL/SPLATTER)
P-3L	PAINT INTERIOR WALLS	PRIMER: 6-2 PAINT: PPG 6-411 Eggshell	WRIGHT STONE 10Y 30/106	
P-4L	PAINT INTERIOR DOOR FRAMES	PRIMER: 6-212 PAINT: 6-1110XI	WRIGHT STONE 10Y 30/106	Contact: Rick Garlin PPG Corporate National Accounts Manager phone: 317-318-5800 email: garlin@ppg.com SOFFIT PLASTER FINISH TO BE "ORANGE PEEL" TYPE (EGGSHELL/SPLATTER) WALL PLASTER FINISH TO BE "ORANGE PEEL" TYPE (EGGSHELL/SPLATTER)
P-5L	PAINT RESTROOM CEILING	PRIMER: 6-2 PAINT: PPG 6-411 Eggshell	WHITE ON WHITE 30CY 88/014	
P-6L	PAINT EXPOSED DECKING, WOOD TRUSSES EXPOSED CEILING	PRIMER: 17-921 (Primer Color Grey) PAINT: PPG 6-411 Eggshell	SLATE BROWN 00Y 09/087	
P-7L (SEE NOTE FOR USAGE)	PAINT METAL PANEL ACCENT - RED	PRIMER: 17-921 (Primer Color Grey) PAINT: PPG 6-411 (A/R. PPG 25-250) Eggshell	RED LETTER DAY 10YR 15/500 ABOVE FSC EDGE BUILDING	P-1L AND P-7L TO BE USED WITH UPH-1L AND PL-7L REFER TO 2020 LIGHT GUIDELINES FOR FURTHER DIRECTIONS
P-8L	PAINT INTERIOR WALLS	PRIMER: 6-2 PAINT: PPG 6-411 (A/R. PPG 25-250) Eggshell	WRIGHT STONE 10Y 30/106	
P-9L	PAINT DOOR FRAMES	PRIMER: 6-212 PAINT: 6-1110XI	WRIGHT STONE 10Y 30/106	
P-11L	PAINT INTERIOR WALLS ACCENT	PRIMER: 6-2 PAINT: PPG 6-411 Eggshell	TRADITIONAL TAN	NOTE: USE 1" NAP ROLLER FOR LIGHT ORANGE PEEL TEXTURE
P-14L (SEE NOTE FOR USAGE)	PAINT ACCENT PAINT SOFFIT	PRIMER: 6-212 PAINT: PPG 6-411 (A/R. PPG 25-250) Eggshell	FLAMING RED Custom Formula	NOTE: TO BE USED WITH UPH-8L AND PL-6L REFER TO 2020 LIGHT GUIDELINES FOR FURTHER DIRECTIONS
PL-1L	PLASTIC LAMINATE WAINSCOT/BOOTH/DOORS (SEE PLANS)	PLASTIC LAMINATE	APPEARS LIKATRE WP115-SUPERMATTE	CONTACT: KATHLEEN ANDREOLA AT PANOLAM INDUSTRIES 407-415-0443 BK LAMINATE ORDER THROUGH JOHN TRULOCK Note: BK finish is Super matte. No finish substitutions
PL-5L	PLASTIC LAMINATE ACCENT TABLE TOPS	PLASTIC LAMINATE	ABSOLUTE ACAJOU WY180-N	
PL-11L (SEE NOTE FOR USAGE)	PLASTIC LAMINATE BARSTOOL BACK & FRONT	PLASTIC LAMINATE	NUBIAN BROWN ST604-S	NOTE: TO BE USED WITH PL-6L
PL-13L (SEE NOTE FOR USAGE)	PLASTIC LAMINATE BARSTOOL BACK & FRONT	PLASTIC LAMINATE	NUBIAN BROWN ST604-I	NOTE: TO BE USED WITH PL-8L
PL-1L	PLASTIC LAMINATE WAINSCOT/BOOTH/DOORS (SEE PLANS)	PLASTIC LAMINATE	11101K-12 NORTHERN PINE	CONTACT: PATTY GOFFE@ WILSONART 678-296-7271
PL-4L	PLASTIC LAMINATE FRONT COUNTER FACE ACCENT	PLASTIC LAMINATE	4830-07 SATIN STAINLESS	
PL-10L (SEE NOTE FOR USAGE)	PLASTIC LAMINATE TABLE TOPS AT FEATURE ELEMENT	PLASTIC LAMINATE	7968K-12 LOFT OAK	NOTE: TO BE USED FOR ENHANCED PACKAGE ONLY REFER TO 2020 LIGHT GUIDELINES FOR FURTHER DIRECTIONS
PL-12L (SEE NOTE FOR USAGE)	PLASTIC LAMINATE TABLE TOPS COMMUNITY TABLE OR OCCASIONAL TABLE	PLASTIC LAMINATE	7911-60 MANITOBA MAPLE	NOTE: TO BE USED FOR IMPROVED PACKAGE OPTION
WP-1L	WALL PANEL SYSTEM GENERAL WAINSCOTTING	PLASTIC LAMINATE	707.0000 RIBBONWOOD	CONTACT: MIKE FREW AT MARLITE (330) 260-7623 MFREW@marlite.com CUSTOMER SERVICE - (330) 343-6621
PL-6L (SEE NOTE FOR USAGE)	PLASTIC LAMINATE CHAIRS BACK & FRONT SOFFIT ACCENT	PLASTIC LAMINATE	6902-58 GRENADINE	*CONTACT: RICK LUDERS 678-206-8297 Rick.Luders@formica.com NOTE: TO BE USED ONLY WITH UPH-8L AND P-14L REFER TO 2020 LIGHT GUIDELINES FOR FURTHER DIRECTIONS
PL-8L (SEE NOTE FOR USAGE)	PLASTIC LAMINATE CHAIRS BACK & FRONT	PLASTIC LAMINATE	S1027 WE LIBERTY RED	CONTACT: KATHLEEN ANDREOLA AT PANOLAM INDUSTRIES 407-415-0443 NOTE: TO BE USED WITH UPH-1L / P-1L AND P-7L
PL-9L (SEE NOTE FOR USAGE)	PLASTIC LAMINATE FEATURE ELEMENT LOW WALL TABLE TOPS (OPTION FOR FSC KNEEWALL)	PLASTIC LAMINATE	WOOD ESSENCE WK0017T VENERABLE OLD OAK	REFER TO 2020 LIGHT GUIDELINES FOR FURTHER DIRECTIONS NOTE: TO BE USED FOR ENHANCED PACKAGE ONLY REFER TO 2020 LIGHT GUIDELINES FOR FURTHER DIRECTIONS
PL-7L (SEE NOTE FOR USAGE)	PLASTIC LAMINATE GENERAL DINING	PLASTIC LAMINATE	LIBERTY RED	PL-9L FOR FSC KNEEWALL TO BE USED WITH PL-4L TRIM NOTE: TO BE USED WITH UPH-1L / P-1L AND PL-7L REFER TO 2020 LIGHT GUIDELINES FOR FURTHER DIRECTIONS
TR-1L	METAL TRIM DINING FLOOR TRANSITION	AE 100 D	S-1027T SATIN ANODIZED ALUMINUM	3/8" TILE THICKNESS CONTACT: EARL MAICUS @ SCHLUTER SYSTEMS 800-267-0817 EMAICUS@SCHLUTER.COM
TR-2L	METAL TRIM GENERAL DINING TRANSITION	RECTANGULAR BAR STOCK	BRUSHED ALUMINUM	1" X 1/4"
TR-3L	METAL TRIM GENERAL WALL TRANSITION	CORNER GUARD	BRUSHED ALUMINUM	1/2" X 1/2"
WP-1L UPGRADE	CERAMIC TILE GENERAL WAINSCOTTING	GRANITI FIANDRE	EUROWEST HAZELNUT TAN	12" X 24" CONTACT: JAN DETER AT EUROWEST (714) 309-9551 JOY KLEIN 813-334-3302 jklein@transceramica.com NOTE: USE WITH GR-11L

GENERAL CONTRACTOR SPECIFICATIONS -- SOLID SURFACE, UPHOLSTERY, RESIN



125 Connell Ave
Rockdale, IL 60436

www.seating-concepts.com

T: 815.730.7980 F: 815.730.7969

This drawing contains proprietary information by Seating Concepts. Unauthorized use or reproduction is prohibited without expressed written consent of Seating Concepts.

Project Contacts:

Please contact one of the following Seating Concepts team members to address any concerns you may have:

Customer Service:
Ken Hibben 815.730.7980 x 2253
Mel Randall 815.730.7980 x 2234
Krista Bagley 815.730.7980 x 2219

Interior Design:
Samantha Uthe 815.730.7980 x 2251
Lori Manion 815.730.7980 x 2242
Kimberly Sea 815.730.7980 x 444
Rita Gear 815.730.7980 x 2235
Deb Paulik 815.730.7980 x 443

**After delivery of decor if you have any questions please contact customer service at 815.730.7980



PROJECT:
**Improved 20/20 Light
- BK Custom Red**

LOCATION: Ashtabula, OH

ADDRESS: 3225 North Ridge East

STORE #: 9932

DRAWN BY: Lori C. Manion

PROJECT MANAGER: Zach DePyssler

SALES MANAGER: Mel Randall

DATE: 12-30-15

REVISION HISTORY			
DATE	REV #	DESCRIPTION	INITIALS
12-29-15	1	all freestanding in playground	LCM
01-11-16	2	per BKC	LCM
01-25-16	3	per BKC	LCM
01-25-16	4	revise to improve	SU
02-17-16	5	revise feature wall	DDP
03-22-16	6	per BKC	DDP

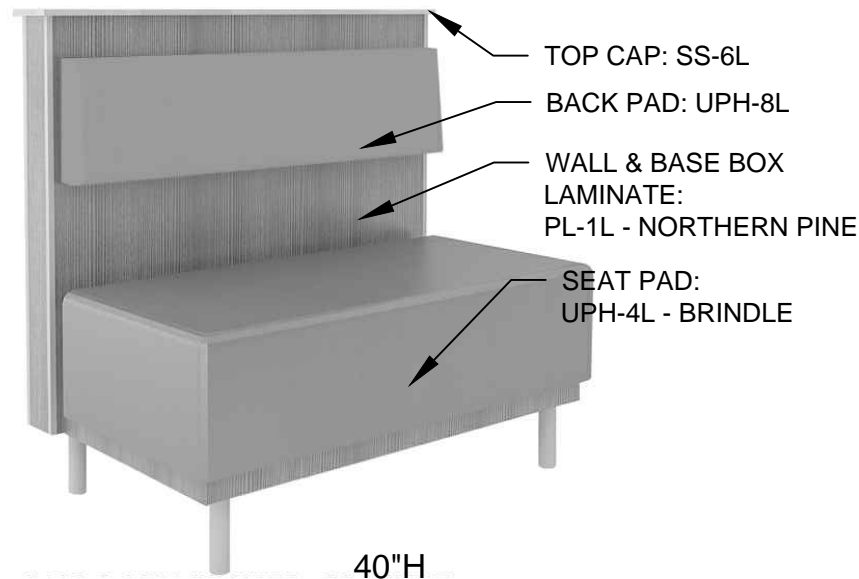
DRAWING TITLE:
Interior Building Specifications

SCALE: NTS

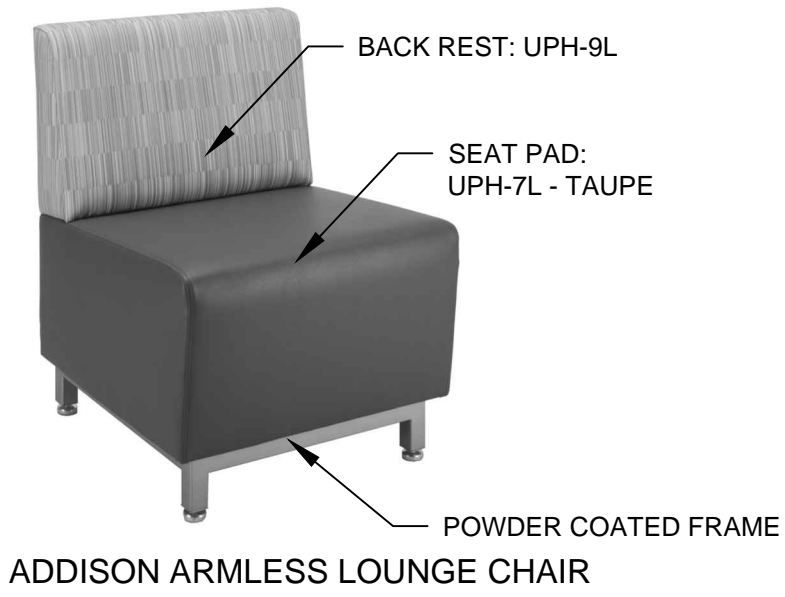
ID-13

11 x 17 SIZE FORMAT

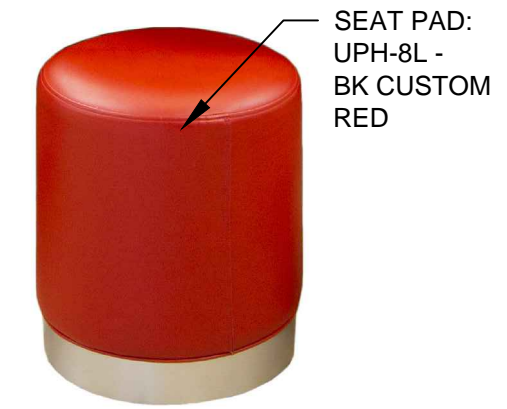
SOLID SURFACE						
SS-1L	SOLID SURFACE	FIXTURES AS NOTED FSC	CORIAN	SOLID SURFACE	SANDALWOOD PRIVATE COLLECTION	1/2" THICKNESS CONTACT: RANDY HOUSTON @ 404-274-3047
SS-2L	SOLID SURFACE	FIXTURES AS NOTED TOP CAP/ SILL		SOLID SURFACE	SANDALWOOD PRIVATE COLLECTION	1/2" THICKNESS
SS-3L	SOLID SURFACE	FIXTURES AS NOTED FEATURE ELEMENT/TOP CAP		SOLID SURFACE	SANDALWOOD PRIVATE COLLECTION	1/2" THICKNESS
SS-7L	SOLID SURFACE	FIXTURES AS NOTED		SOLID SURFACE	WITCH HAZEL	1/2" THICKNESS
SS-1L	SOLID SURFACE	FIXTURES AS NOTED FSC		SOLID SURFACE	TERNI M201	1/2" THICKNESS CONTACT: CHERI RUKAVINA @ LG SURFACES (404) 435-8092
SS-2L	SOLID SURFACE	FIXTURES AS NOTED TOP CAP/ SILL		SOLID SURFACE	TERNI M201	1/2" THICKNESS
SS-3L	SOLID SURFACE	FIXTURES AS NOTED FEATURE ELEMENT/TOP CAP	LG SURFACES	SOLID SURFACE	TERNI M201	1/2" THICKNESS
SS-6L	SOLID SURFACE	FIXTURES AS NOTED		SOLID SURFACE	HI-MACS COCONUT	1/2" THICKNESS
SS-6L	SOLID SURFACE	FIXTURES AS NOTED		SAMSUNG / STARON	SOLID SURFACE	ASPEN LILY AL646
FABRICS						
UPH-1L (SEE NOTE FOR USAGE)	FABRIC	SEATING SEAT PAD/ BACK PAD/ SOFT SEATING	CF STINSON	AVANT	AV108 TOMATOE	NOTE: TO BE USED ONLY WITH P-1L / P-7L AND PL-7L REFER TO 2020 LIGHT GUIDELINES FOR FURTHER DIRECTIONS CONTACT: GLENN STINSON @ 248-299-3800
UPH-3L	FABRIC	SEATING BACK PAD/ SOFT SEATING		AVANT	AV130 BONE	
UPH-4L	FABRIC	SEATING SEAT PAD/ SOFT SEATING		LAREDO	L 19 BRINDLE	
UPH-4L	FABRIC	SEATING SEAT PAD/ SOFT SEATING		AVANT	BK CUSTOM DESERT	
UPH-5L	FABRIC	SEATING BACK PAD / BACK REST SOFT SEATING		BK INTERLACE	NATURAL	
UPH-6L	FABRIC	SEATING BACK PAD / BACK REST SOFT SEATING		MOXIE	MOX 70 MOJO	
UPH-8L (SEE NOTE FOR USAGE)	FABRIC	SEATING SEAT PAD/ BACK PAD/ SOFT SEATING		AVANT	BK CUSTOM RED	NOTE: TO BE USED ONLY WITH P-14L AND PL-6L REFER TO 2020 LIGHT GUIDELINES FOR FURTHER DIRECTIONS
UPH-7L	FABRIC	SEATING SOFT SEAT SEAT		LARIAT 440401	010 TAUPE	CONTACT: ZANDY RODON 404-909-8444 zrodon@maharam.com
UPH-9L	FABRIC	SEATING BACK PAD / BACK REST SOFT SEATING		MAHARAM	LINEAGE 466127	002 TUSOCK
WALLPAPERS						
WC-1L	WALL PAPER	WALL FINISH DINING ROOM	WOLF GORDON	WALL COVERING	BROOKLYN FULTON G-7938684	CONTACT: VALERIE PEDERSON - NATIONAL SALES REPRESENTATIVE 612-251-5330 VALERIE.PEDERSON@WOLFGORDON.COM
WC-2L	WALL PAPER	WALL FINISH DINING ROOM	MDC WALL COVERING	WALL COVERING	CHI, SABLE 1162 CI	CONTACT: 800-621-4006
WC-3L	WALL PAPER	WALL FINISH DINING ROOM		LEDA	ALABASTER WC1033/2	CONTACT: KATE KOLACKI 561-262-8932 KKOLACKI@KNOLL.COM WW.KNOLLTEXTILES.COM
WC-4L	WALL PAPER	WALL FINISH PLAYGROUND	KNOLL TEXTILES	THE INK COLLECTION DRIP	PUNCH WC1408/1	NOTE: (4 WEEKS LEAD TIME)
WC-5L	WALL PAPER	WALL FINISH PLAYGROUND		THE INK COLLECTION DRIP	SAKE WC1408/3	
WC-6L	WALL PAPER	WALL FINISH PLAYGROUND		THE INK COLLECTION RUN	CORAL WC1409/1	
RESIN PANEL						
R-1L	RESIN	DIVIDER SCREENS	3-FORM	VARIA ECORESIN	TING TING PATENT FINISH FRONT & BACK	3/8" THICK CONTACT: JULIANA SHARKEY (954.579.6545) & JANICE ELDREDGE (801.649.2599) (3 WEEKS LEAD TIME)
R-2L	RESIN	SMOOTHIE STATION DIVIDER SCREEN		VARIA ECORESIN	TING TING SUPERMATTE	3/8" THICK NOTE: R1-L TO BE USED WITH R2-L
R-1L (ALT1)	RESIN	DIVIDER SCREENS		MODERNA	COURRIER SANDSTONE FINISH FRONT & BACK	3/8" THICK NOTE: R1-L (ALT1) TO BE USED WITH R2-L (ALT1)
R-2L (ALT1)	RESIN	SMOOTHIE STATION DIVIDER SCREEN		MODERNA	COURRIER SUPERMATTE	3/8" THICK RESIN PANEL TYPE CANNOT BE MIX/ MATCH WITHIN RESTAURANT
R-1L (ALT2)	RESIN	DIVIDER SCREENS	LUMICOR	WHITE HAVEN COLLECTION	KAURI - FRONT & BACK FINISH: SATIN	3/8" THICK CONTACT: DOROTHY L. DAVIS (305.213.3364) EMAIL - DDAVIS@THEAREYNOLDS.COM (3 WEEKS LEAD TIME)
R-2L (ALT2)	RESIN	SMOOTHIE STATION DIVIDER SCREENS		WHITE HAVEN COLLECTION	KAURI - FRONT FINISH: SATIN	3/8" THICK NOTE: R1-L (ALT2) TO BE USED WITH R2-L (ALT2)
					BACK FINISH- FROST	



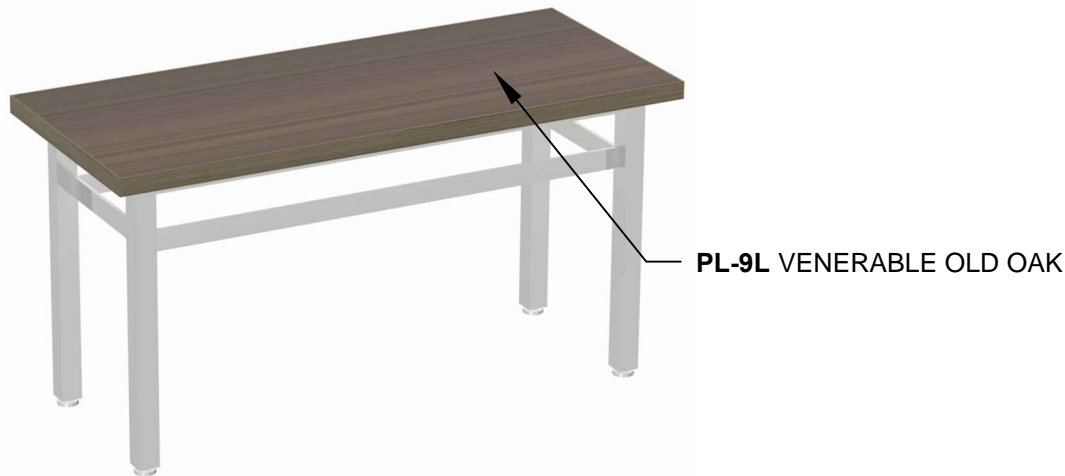
40"H
BOOTHS / SETTEES



ADDISON ARMLESS LOUNGE CHAIR



FREE STANDING
BK 20/20 LIGHT STOOL



BK 20/20 LIGHT
OCCASIONAL TABLE



BESA PENDANT



"FEED ME" GRAPHIC:
BY GRAPHICS VENDOR

20/20 LIGHT TRASH



CHAIR

This drawing contains proprietary information by Seating Concepts. Unauthorized use or reproduction is prohibited without expressed written consent of Seating Concepts.

Project Contacts:

Please contact one of the following Seating Concepts team members to address any concerns you may have:

Customer Service:
Ken Hibben 815.730.7980 x 2253
Mel Randall 815.730.7980 x 2234
Krista Bagley 815.730.7980 x 2219

Interior Design:
Samantha Uthe 815.730.7980 x 2251
Lori Manion 815.730.7980 x 2242
Kimberly Sea 815.730.7980 x 444
Rita Gear 815.730.7980 x 2235
Deb Paulik 815.730.7980 x 443

**After delivery of decor if you have any questions please contact customer service at 815.730.7980



PROJECT:
Improved 20/20 Light
- BK Custom Red

LOCATION: Ashtabula, OH

ADDRESS: 3225 North Ridge East

STORE #: 9932

DRAWN BY: Lori C. Manion

PROJECT MANAGER: Zach DePyssler

SALES MANAGER: Mel Randall

DATE: 12-30-15

REVISION HISTORY			
DATE	REV #	DESCRIPTION	INITIALS
12-29-15	1	all freestanding in playground	LCM
01-11-16	2	per BKC	LCM
01-25-16	3	per BKC	LCM
01-25-16	4	revise to improve	SU
02-17-16	5	revise feature wall	DDP
03-22-16	6	per BKC	DDP

DRAWING TITLE: Product Images

SCALE: 3/16" = 1'-0"

ID-14

11 x 17 SIZE FORMAT

This drawing contains proprietary information by Seating Concepts. Unauthorized use or reproduction is prohibited without expressed written consent of Seating Concepts.

Project Contacts:

Please contact one of the following Seating Concepts team members to address any concerns you may have:

Customer Service:
Ken Hibben 815.730.7980 x 2253
Mel Randall 815.730.7980 x 2234
Krista Bagley 815.730.7980 x 2219

Interior Design:
Samantha Uthe 815.730.7980 x 2251
Lori Manion 815.730.7980 x 2242
Kimberly Sea 815.730.7980 x 444
Rita Gear 815.730.7980 x 2235
Deb Paulik 815.730.7980 x 443

**After delivery of decor if you have any questions please contact customer service at 815.730.7980



PROJECT: Improved 20/20 Light - BK Custom Red

LOCATION: Ashtabula, OH

ADDRESS: 3225 North Ridge East

STORE #: 9932

DRAWN BY: Lori C. Manion

PROJECT MANAGER: Zach DePyssler

SALES MANAGER: Mel Randall

DATE: 12-30-15

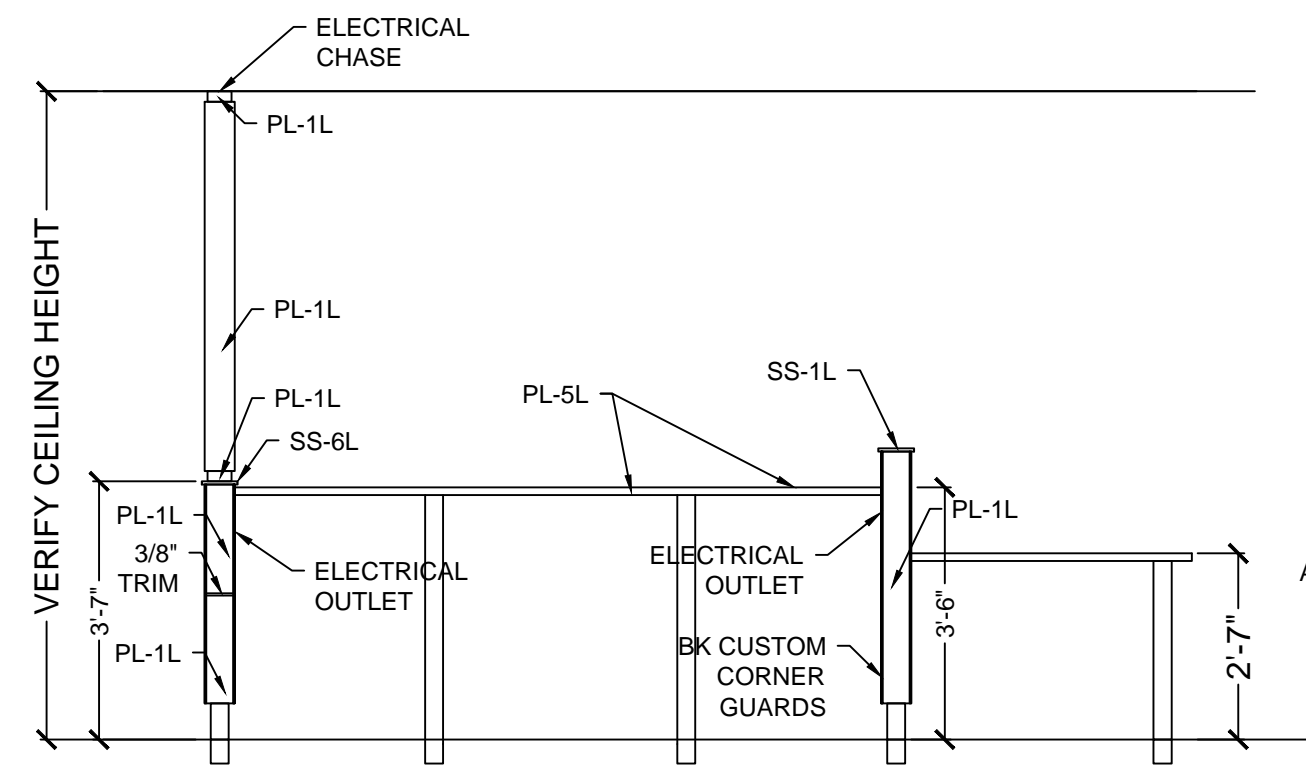
REVISION HISTORY			
DATE	REV #	DESCRIPTION	INITIALS
12-29-15	1	all freestanding in playground	LCM
01-11-16	2	per BKC	LCM
01-25-16	3	per BKC	LCM
01-25-16	4	revise to improve	SU
02-17-16	5	revise feature wall	DDP
03-22-16	6	per BKC	DDP

DRAWING TITLE: Product Details

SCALE: 3/8" = 1'-0"

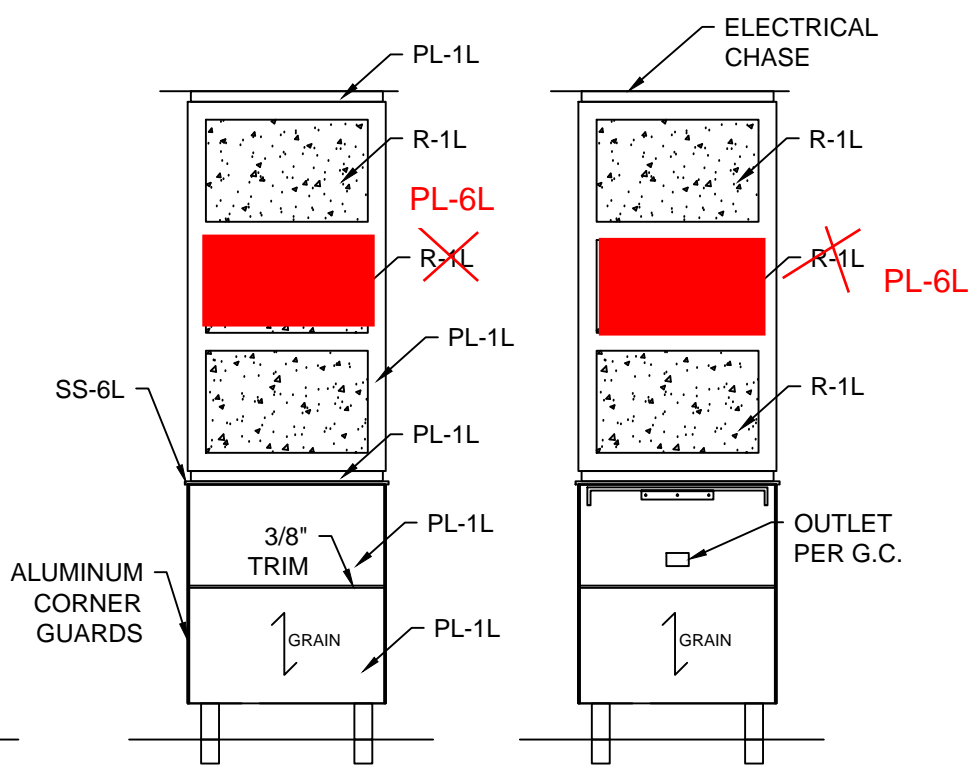
ID-15

11 x 17 SIZE FORMAT



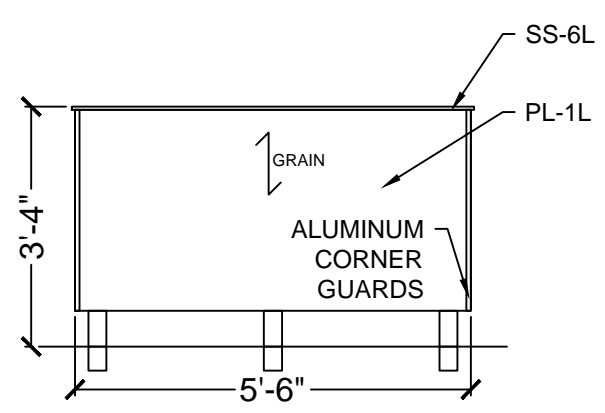
Community Table Elevations

5 6 7



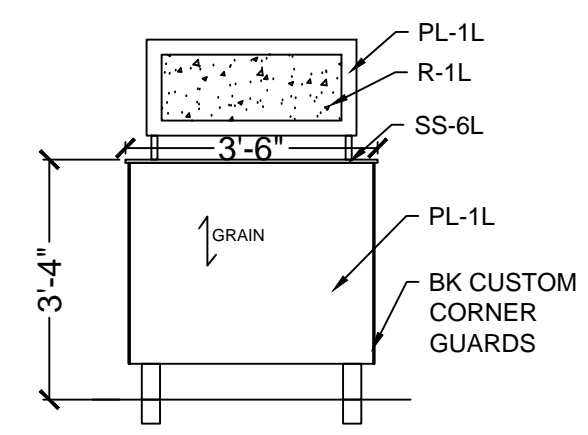
Booth Divider Walls

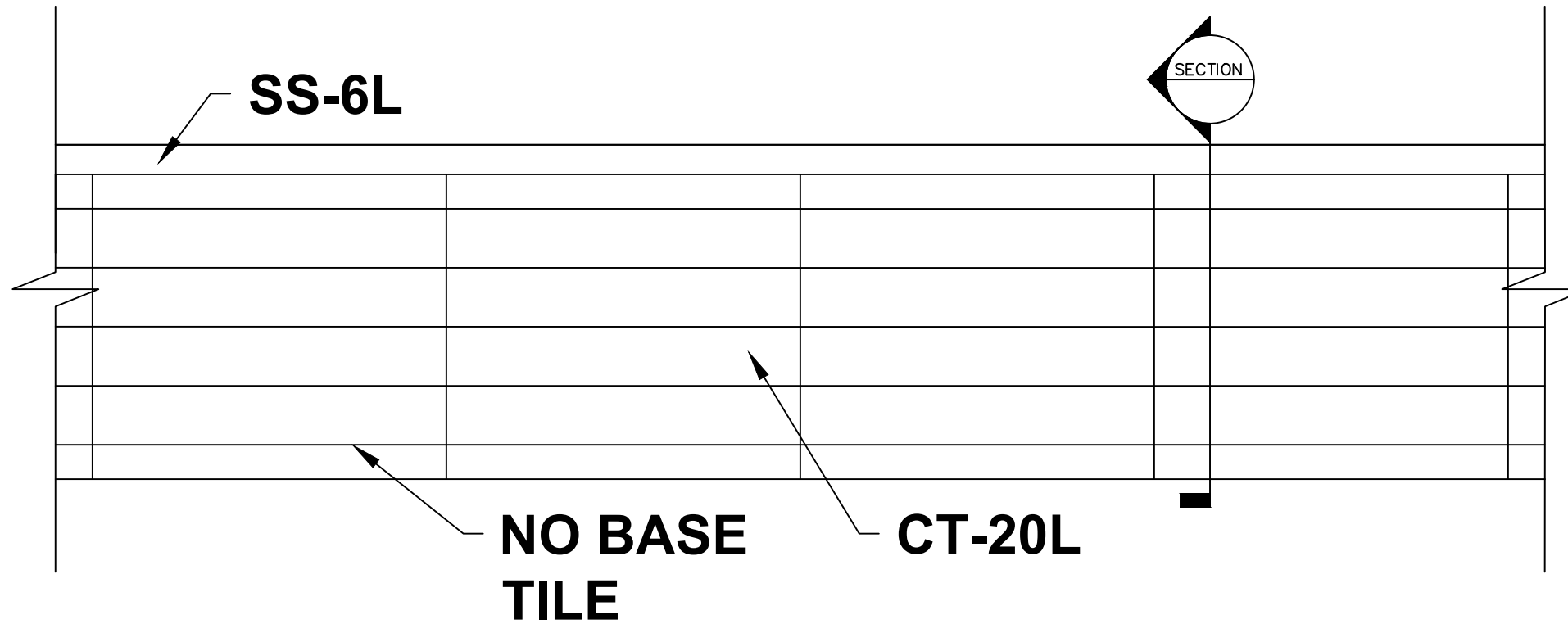
9



Soft Seating Divider Walls

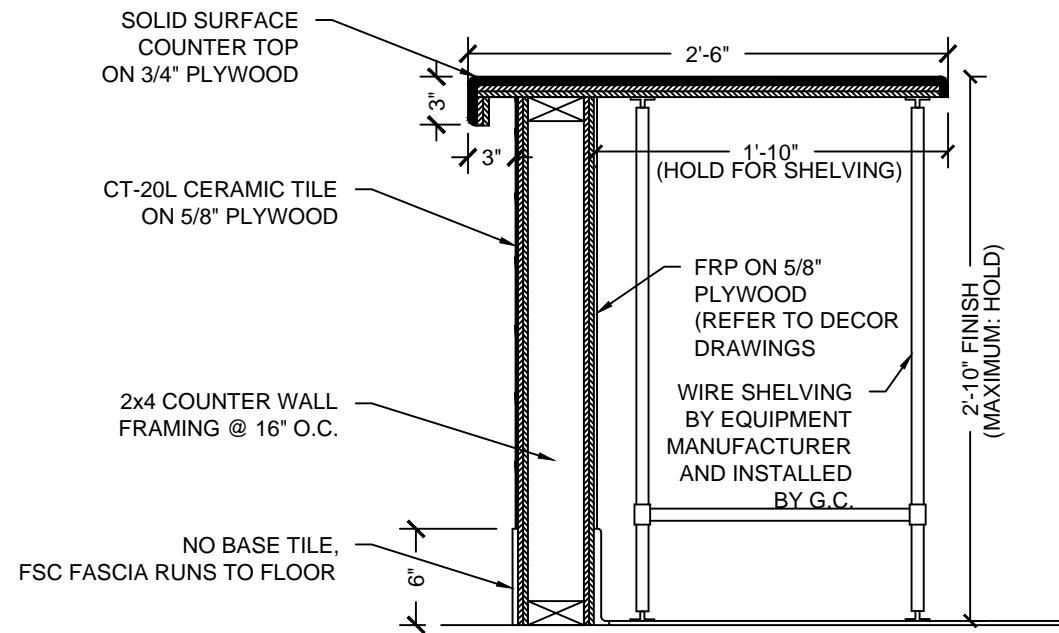
8





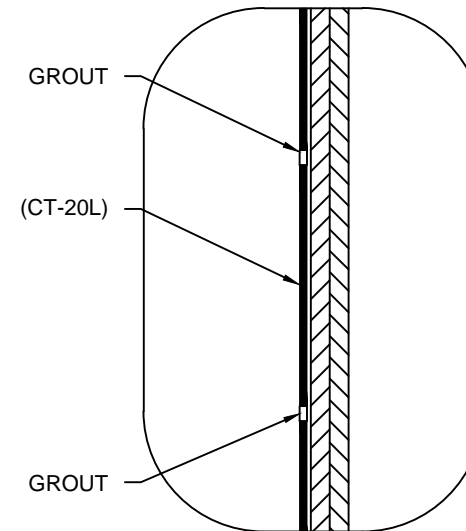
FRONT SERVICE COUNTER ELEVATION VIEW

SCALE: 3/4" = 1'-0"



FRONT SERVICE COUNTER SECTION

SCALE: 1" = 1'-0"



DETAIL



125 Connell Ave
Rockdale, IL 60436

www.seating-concepts.com

T: 815.730.7980 F: 815.730.7969

This drawing contains proprietary information by Seating Concepts. Unauthorized use or reproduction is prohibited without expressed written consent of Seating Concepts.

Project Contacts:

Please contact one of the following Seating Concepts team members to address any concerns you may have:

Customer Service:
Ken Hibben 815.730.7980 x 2253
Mel Randall 815.730.7980 x 2234
Krista Bagley 815.730.7980 x 2219

Interior Design:
Samantha Uthe 815.730.7980 x 2251
Lori Manion 815.730.7980 x 2242
Kimberly Sea 815.730.7980 x 444
Rita Gear 815.730.7980 x 2235
Deb Paulik 815.730.7980 x 443

**After delivery of decor if you have any questions please contact customer service at 815.730.7980



PROJECT:
Improved 20/20 Light
- BK Custom Red

LOCATION: Ashtabula, OH

ADDRESS: 3225 North Ridge East

STORE #: 9932

DRAWN BY: Lori C. Manion

PROJECT MANAGER: Zach DePyssler

SALES MANAGER: Mel Randall

DATE: 12-30-15

REVISION HISTORY			
DATE	REV #	DESCRIPTION	INITIALS
12-29-15	1	all freestanding in playground	LCM
01-11-16	2	per BKC	LCM
01-25-16	3	per BKC	LCM
01-25-16	4	revise to improve	SU
02-17-16	5	revise feature wall	DDP
03-22-16	6	per BKC	DDP

DRAWING TITLE: FSC Details

SCALE: VARIES

ID-16

11 x 17 SIZE FORMAT