

Parts Diagram 1978 KZ650SR

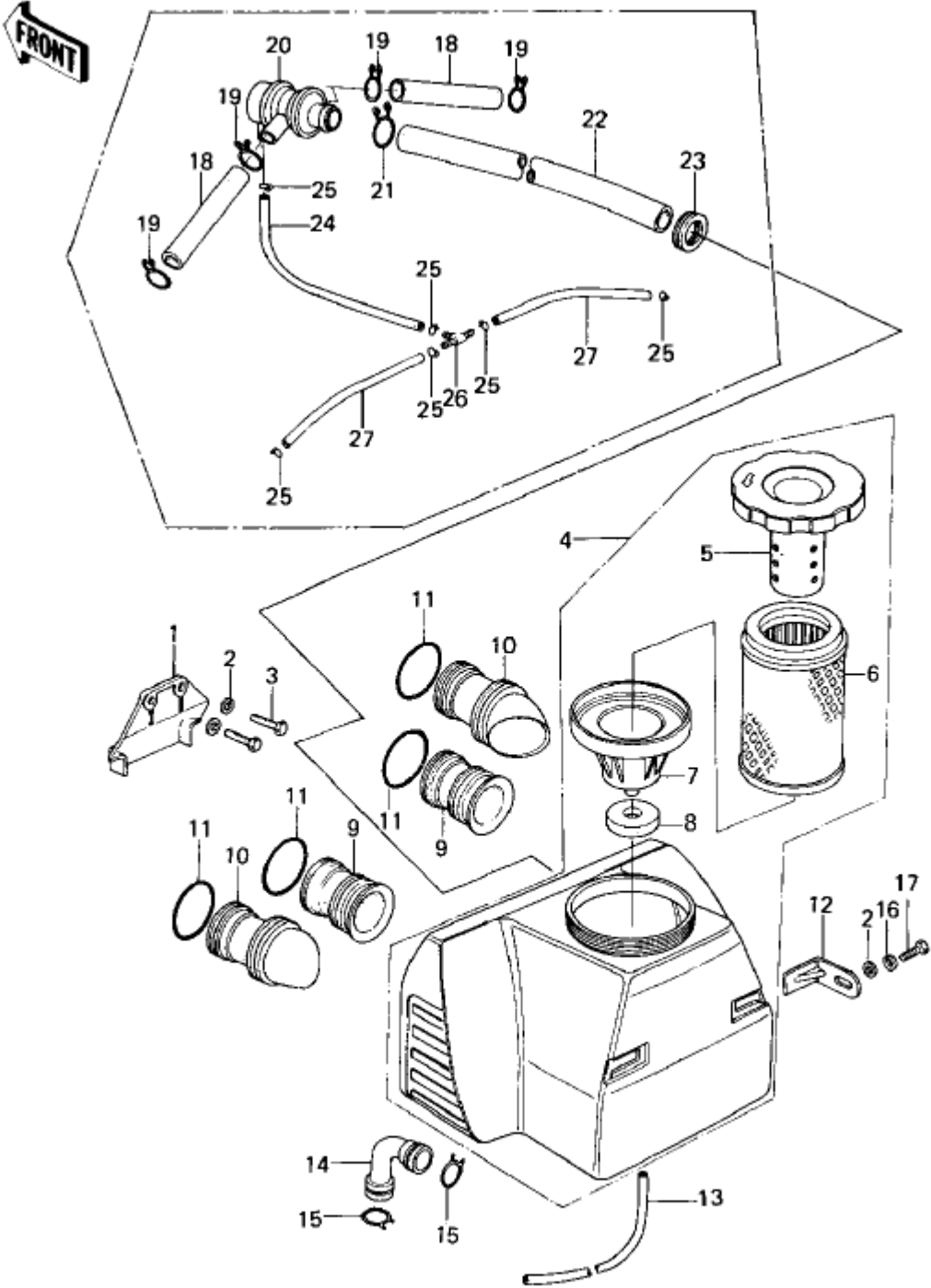
D1 and D1A to D2



By: <http://jarle.eltelevest.no/Kawasaki/index.htm>
Source: <http://www.kawasaki.com>

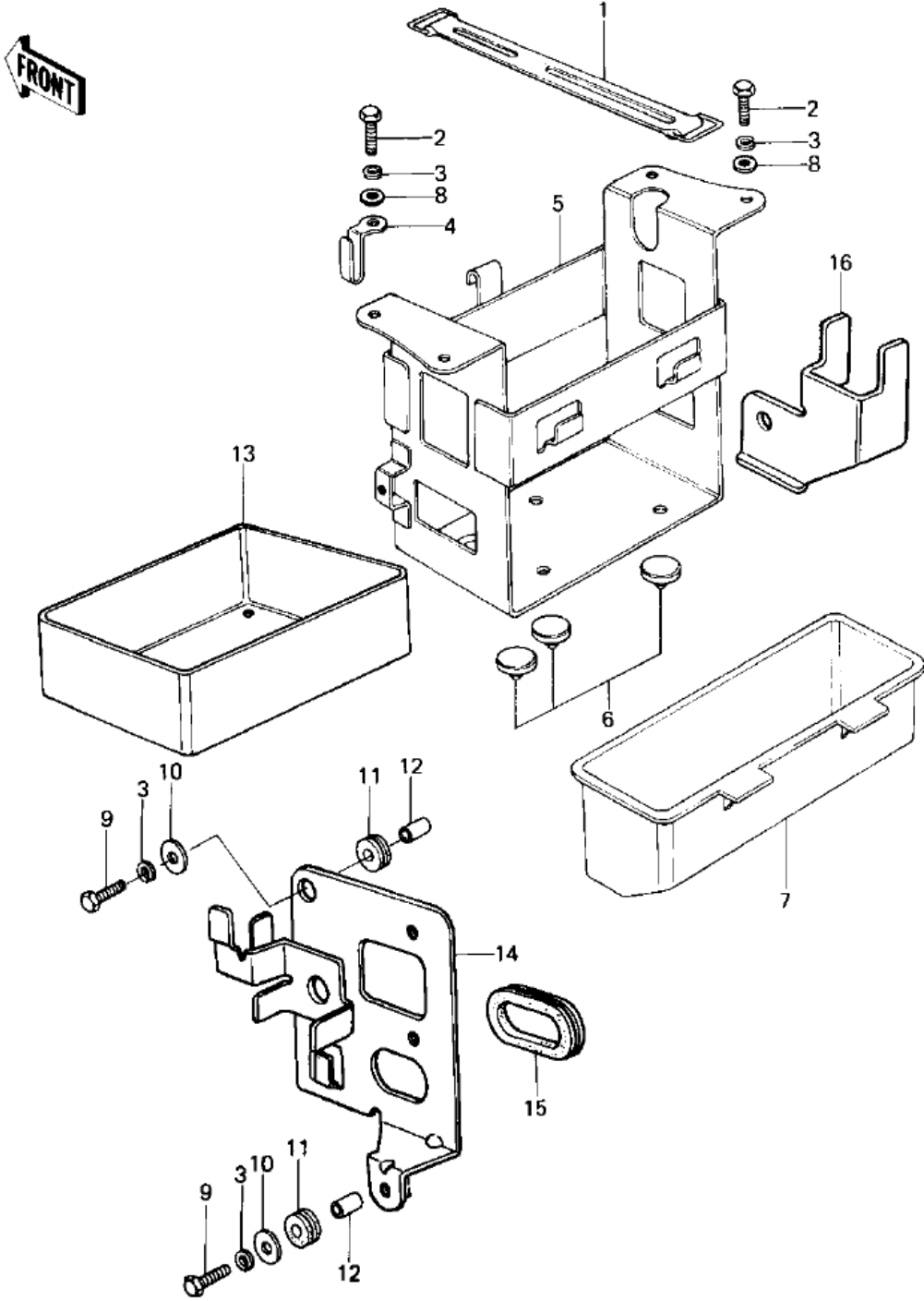
Air Cleaner	3
Battery Case / Tool Case	5
Cables	7
Cam Chain	8
Camshaft, Valves	10
Carburetor Assy.....	12
Carburetor Parts.....	15
CARBURETORS/ACCELERATOR PUMP (USA) (KZ650)	18
CHASSIS ELECTRICAL EQUIPMENT	20
Clutch	22
CRANKCASE BOLT & STUD PATTERN.....	24
CRANKCASE/BREATHER COVER.....	26
Cylinder Head	28
Cylinder head cover	30
CYLINDER/PISTONS/CRANKSHAFT.....	32
Engine covers	34
Fenders	36
FOOTRESTS/STANDS	38
Frame.....	40
Front Brake.....	42
Front Fork.....	44
Front Master Cylinder	46
Front Wheel.....	48
Fuel Tank.....	50
GEAR CHANGE MECHANISM	52
GENERATOR/STARTER MOTOR	54
Handlebar	56
Headlight.....	58
IGNITION/REGULATOR.....	60
KICKSTARTER MECHANISM.....	62
METERS/IGNITION SWITCH.....	64
Mufflers.....	66
OIL PUMP/OIL FILTER/OIL PAN	68
Tools.....	70
Rear Brake.....	71
REAR MASTER CYLINDER/BRAKE PEDAL	73
Rear Wheel.....	75
Seat.....	77
SECONDARY SHAFT/STARTER CLUTCH	79
SIDE COVERS/CHAIN COVER.....	81
SWING ARM/SHOCK ABSORBERS.....	83
Taillight	85
Transmission	87
Turn signals	89

Air Cleaner



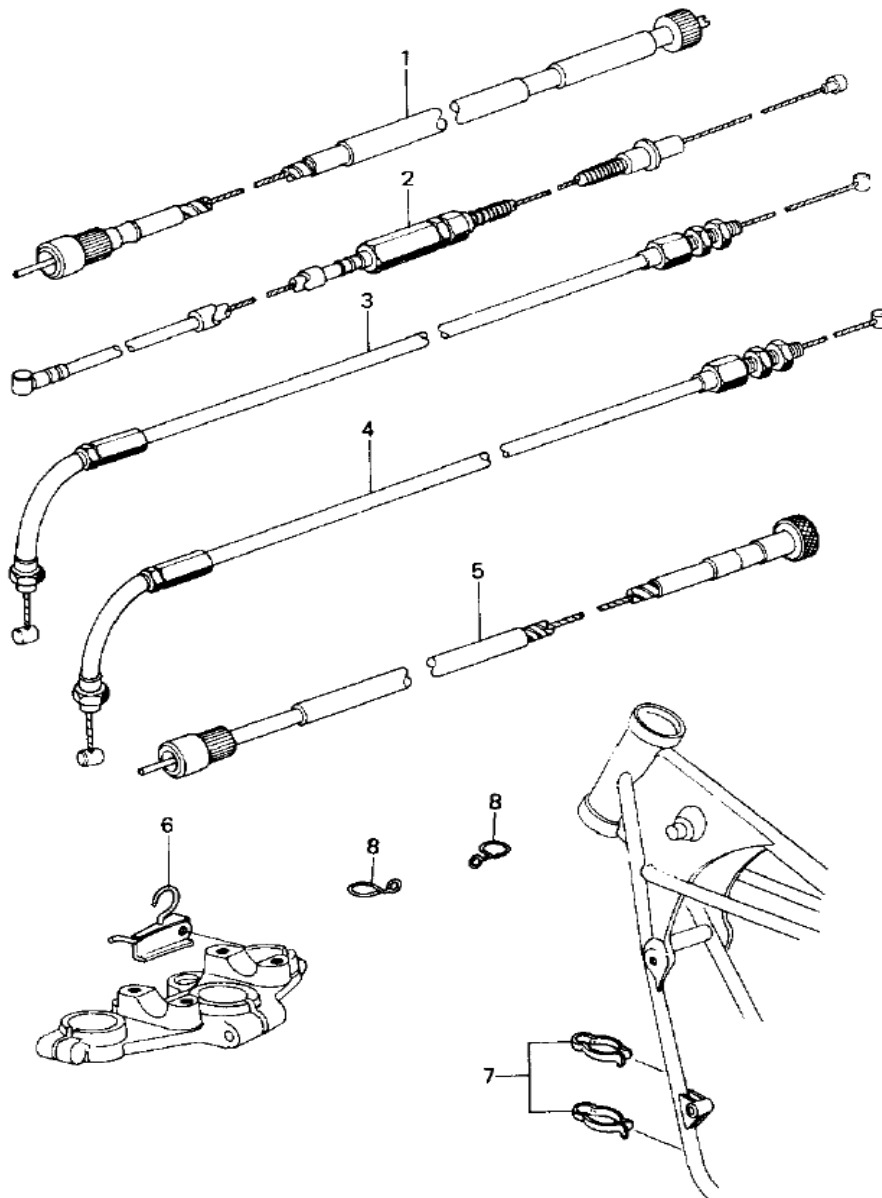
Ref #	Part #	Description	Qty	Spec #
1	11019-003	BAFFLE PLT,AIR CLEANER	1	
2	411B0600	WASHER PLAIN 6MM	4	
3	112G0618	BOLT-UPSET	2	
4	11010-1079	FILTER-ASSY	1	KZ650-D1/D1A
4	11010-1079	FILTER-ASSY	1	KZ650-D2
4	11010-1078	FILTER-ASSY-AIR	1	KZ650-D2
5	11012-069	CAP,AIR CLEANER	1	
6	11013-1006	ELEMENT,AIR CLNR	1	
7	11033-006	HOLDER,INLET PIPE	1	
8	11039-003	GASKET,HOLDER	1	
9	11015-057	INLET DUCT,#2,3	2	
10	11015-063	INLET PIPE,#1.4	2	
11	92081-047	SPRING COIL	4	
12	32070-038	BRACKET,AIR CLEANER	2	
13	700Q6200	UNAVAILABLE IN PRICE BOOK	1	
14	92059-137	TUBE,BREATHING	1	
15	92037-028	CLAMP BREATHING PIPE	2	
16	461F0600	WASHER SPRING 6MM	2	
17	112G0612	BOLT-UPSET,6X12	2	
18	92059-1042	TUBE,14X20X100	2	KZ650-D2
19	92037-213	CLAMP,BREATHING TUBE	4	KZ650-D2
20	16126-1005	VALVE ASSY,AIR SWITCH	1	KZ650-D2
21	92037-1076	CLAMP	1	KZ650-D2
22	92059-1041	TUBE,19X25X415	1	KZ650-D2
23	92071-1013	GROMMET,AIR CLEANER	1	KZ650-D2
24	92059-1043	TUBE,4X9X290	1	KZ650-D2
25	92037-072	CLAMP-PIPE	6	KZ650-D2
26	92005-1017	FITTING,TUBE	1	KZ650-D2
27	92059-1162	TUBE,VACUUM,LONG	2	KZ650-D2

Battery Case / Tool Case



Ref #	Part #	Description	Qty	Spec #
1	92072-054	BAND,OIL TANK	1	
2	112G0612	BOLT-UPSET,6X12	4	
3	461F0600	WASHER SPRING 6MM	6	
4	32122-057	BRACKET,HELMET HOLDER	1	
5	32097-1005	CASE,BATTERY	1	
6	92075-078	DAMPER RUBBER	3	
7	32098-028	CASE,TOOL	1	
8	410B0600	WASHER PLAIN 6MM	4	
9	112G0625	BOLT-UPSET	2	
10	92022-228	WASHER,PLAIN,7MM	2	
11	92075-317	DAMPER	2	
12	92027-291	COLLAR-CLAMP	2	
13	32099-015	CASE,BATTERY	1	
14	11036-1089	BRACKET,ELECTRO BASE	1	
15	92071-1007	GROMMET,ELECTO BASE	1	
16	11034-1158	BRACKET,SWITCH	1	

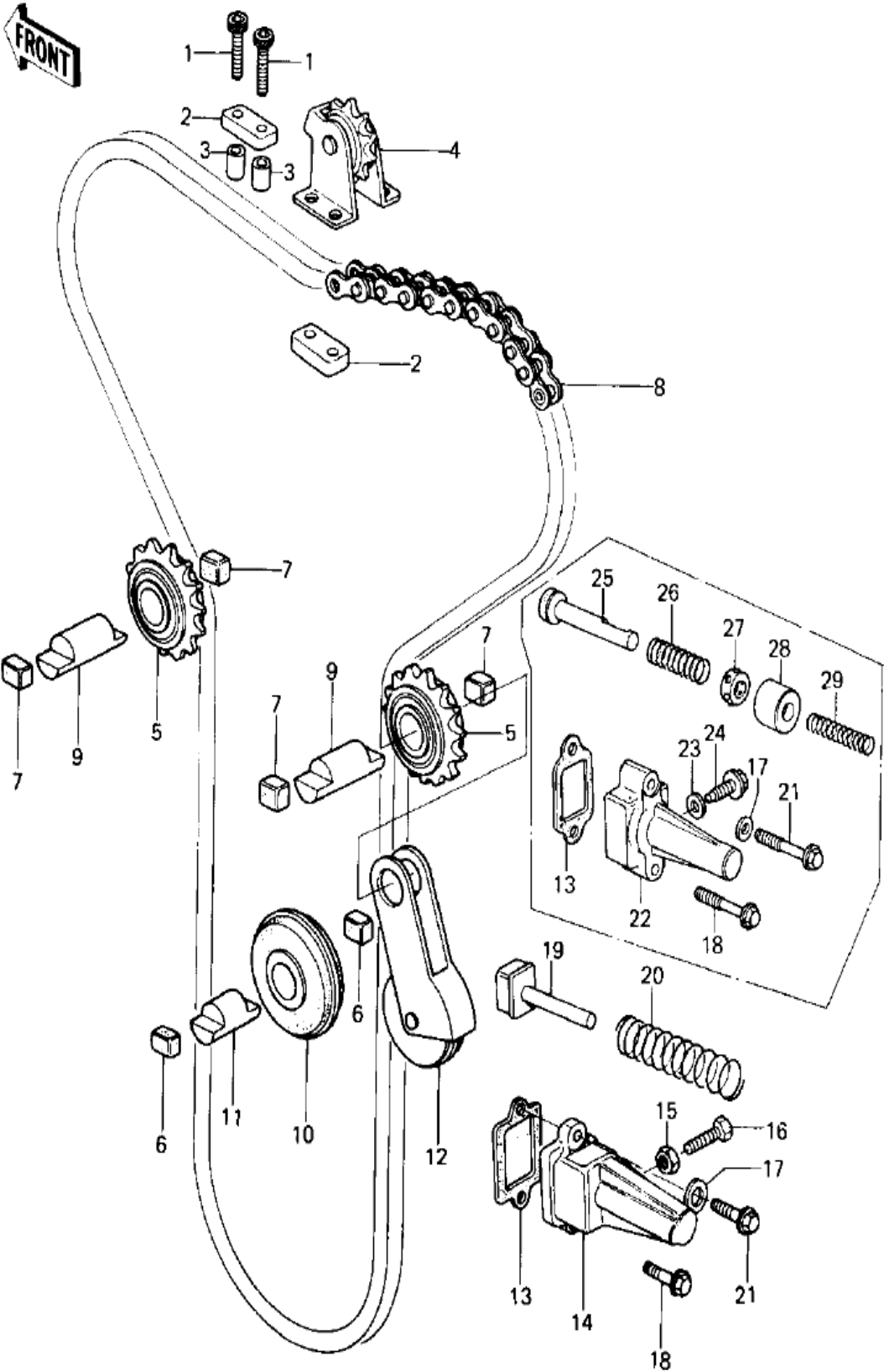
Cables



I

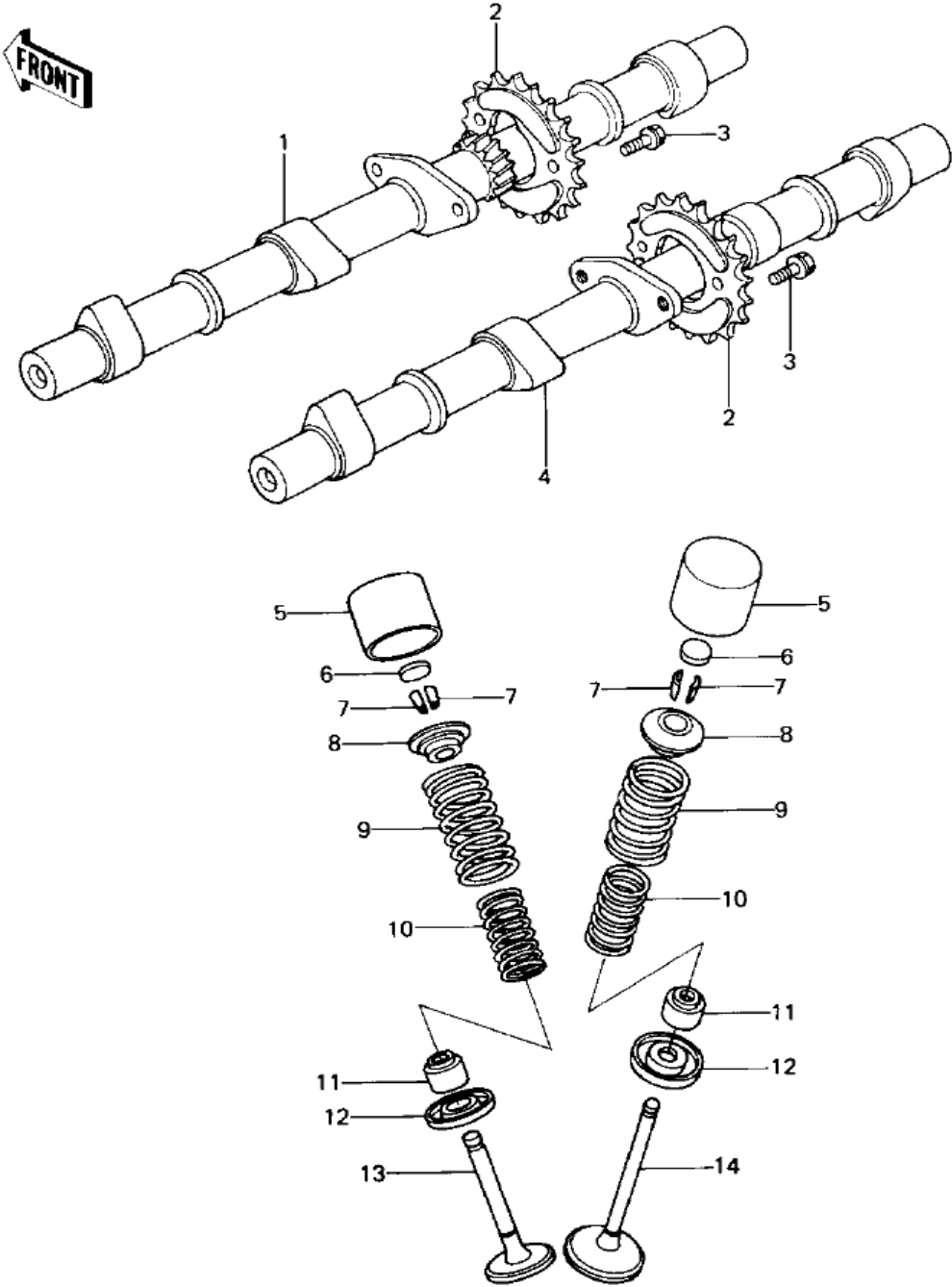
Ref #	Part #	Description	Qty	Spec #
1	54001-1005	CABLE,SPEEDOMETER	1	
2	54011-1008	CABLE,CLUTCH	1	
3	54012-1012	CABLE,THROTTLE,OPEN	1	
4	54012-1013	CABLE,THROTTLE,CLOSE	1	
5	54018-1003	CABLE,TACHOMETER	1	
6	92037-104	CLAMP,CABLE	1	
7	92037-093	CLAMP,CABLE	2	
8	92037-092	CLAMP,CABLE	2	

Cam Chain



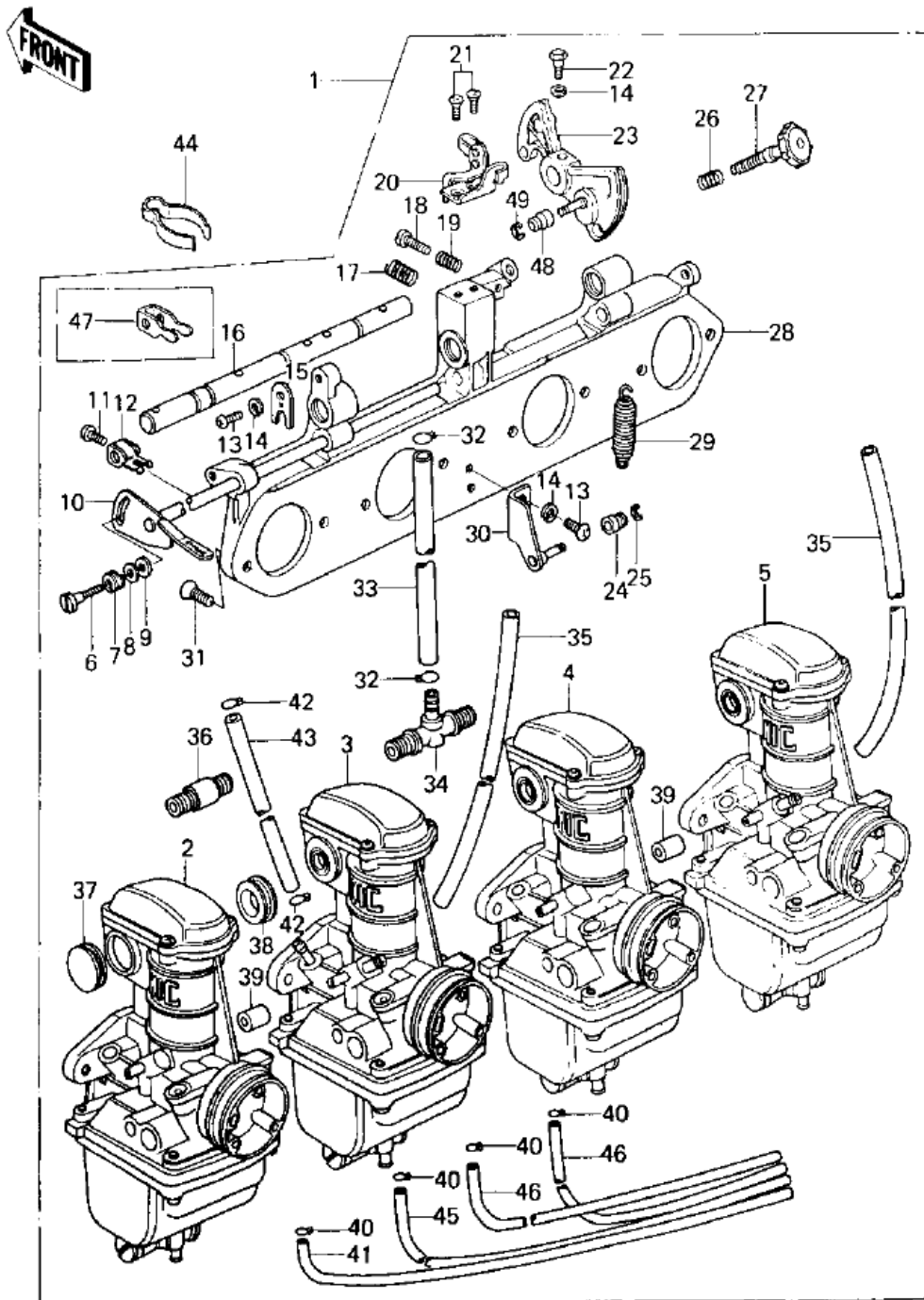
Ref #	Part #	Description	Qty	Spec #
1	120Q0632	BOLT,ALLEN,6X32	4	
2	92075-289	DAMPER RUBBER	4	
3	92027-1079	COLLAR,8X15	4	
4	12053-1013	IDLER ASSY,CAM CHAIN	1	
5	12053-1012	IDLER ASSY,CAM CHAIN	2	
6	92075-123	DAMPER RUBBER	2	
7	92075-232	RUBBER,GUIDE ROLLAR	4	
8	21070-012	CHAIN,CAM	1	
9	12052-005	SHAFT,GUIDE ROLLER	2	
10	12055-004	ROLLER,CAM CHN GUIDE	1	
11	12052-003	SHAFT,CAM CHAIN GUIDE	1	
12	12048-015	TENSIONER,CAM CHAIN	1	
13	11009-1980	GASKET,TENSIONER	1	
14	12049-1003	HOLDER,TENSIONER	1	KZ650
15	311B0600	NUT 6MM	1	KZ650
16	92003-093	BOLT,TENSIONER ADJUST	1	KZ650
17	92022-077	WASHER OIL PUMP BANJO	1	
18	130G0630	BOLT,FLANGED,6X30	1	
19	12054-001	PUSH ROD,CAM CHAIN	1	KZ650
20	92081-107	SPRING,TENSTIONER	1	KZ650
21	130H0635	BOLT,FLANGED,6X35	1	
22	99996-1021	TENSIONER KIT	1	KZ650
23	92022-077	WASHER OIL PUMP BANJO	1	KZ650
24	92001-1155	BELT,TENSIONER ADJUST	1	KZ650
25	13116-1008	ROD ASSY,PUSH	1	KZ650
26	92081-1068	SPRING,TENSIONER	1	KZ650
27	14020-1002	RETAINER	1	KZ650
28	92027-1102	COLLAR, TENSIONER	1	KZ650
29	92081-146	SPRING	1	KZ650

Camshaft, Valves



Ref #	Part #	Description	Qty	Spec #
1	12044-013	CAM SHAFT,EXHAUST	1	
2	12046-004	SPROCKET,CAM	2	
3	92003-208	BOLT,SPROCKET FITTING	4	
4	12044-012	CAM SHAFT,INLET	1	
5	12032-1001	TAPPET	8	
6	92025-1090	SHIM,2.007	AR	
6	92025-1091	SHIM,2.05T	AR	
6	92025-1092	SHIM,2.10T	AR	
6	92025-1093	SHIM,2.15T	AR	
6	92025-1094	SHIM,2.20T	AR	
6	92025-1095	SHIM,2.25T	AR	
6	92025-1096	SHIM,2.30T	AR	
6	92025-1097	SHIM,2.35T	AR	
6	92025-1098	SHIM,2.40T	AR	
6	92025-1099	SHIM,2.45T	AR	
6	92025-1100	SHIM,2.50T	AR	
6	92025-1101	SHIM T2.55	AR	
6	92025-1102	SHIM,2.60T	AR	
6	92025-1103	SHIM,2.65T	AR	
6	92025-1104	SHIM,2.70T	AR	
6	92025-1105	SHIM,2.75T	AR	
6	92025-1106	SHIM,2.80T	AR	
6	92025-1107	SHIM,2.85T	AR	
6	92025-1108	SHIM,2.90T	AR	
6	92025-1109	SHIM,2.95	AR	
6	92025-1110	SHIM,3.00T	AR	
6	92025-1111	SHIM,3.05T	AR	
6	92025-1112	SHIM,3.10T	AR	
6	92025-1113	SHIM,3.15T	AR	
6	92025-1114	SHIM,3.20T	AR	
7	12011-004	SPLIT KEEPER	16	
8	12009-008	RETAINER,VALVE SPRING	8	
9	12007-012	SPRING,OUTER VALVE	8	
10	12007-011	SPRING,INNER VALVE	8	
11	92049-016	OIL SEAL,RV37129.5	8	
12	16007-1024	SEAT-SPRING,VALVE	8	
13	12005-008	VALVE,EXHAUST	4	
14	12004-1011	VALVE,INTAKE	4	

Carburetor Assy



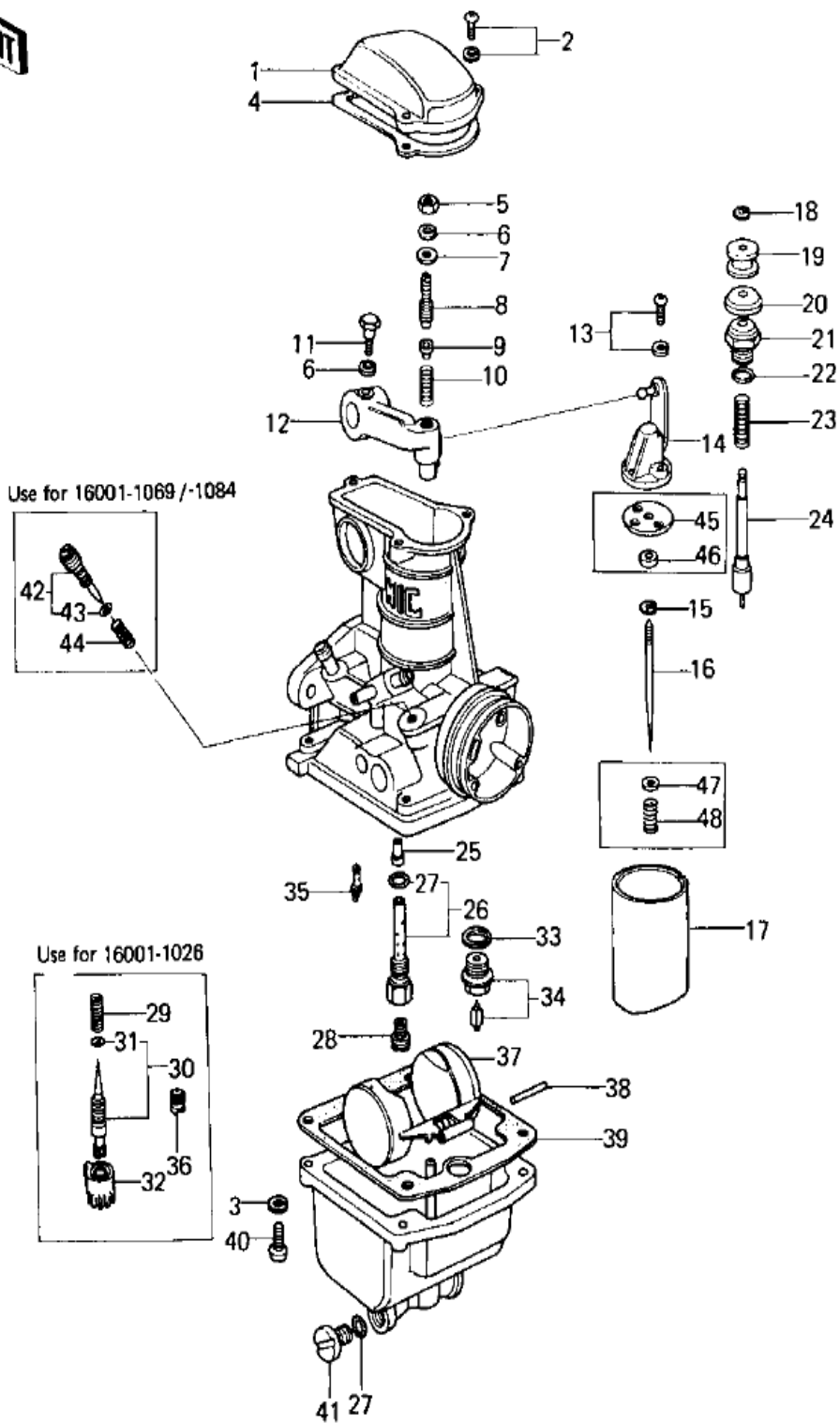
Ref #	Part #	Description	Qty	Spec #
1	16001-1069	CARBURETOR ASSY	1	KZ650-D1
1	16001-1069	CARBURETOR ASSY	1	KZ650-D2
1	16001-1026	CARBURETOR ASSY	1	KZ650-D1A
1	16001-1084	CARBURETOR ASSY	1	KZ650-D2
2	16001-1070	CARBURETOR,L.H,OUT	1	

2	16001-1079	CARBURETOR,L.H,OUTSID	1	
3	16001-1071	CARBURETOR,L.H,INSIDE	1	
3	16001-1080	CARBURETOR,L.H,INSIDE	1	
4	16001-1072	CARBURETOR,R.H,INSIDE	1	
4	16001-1081	CARBURETOR,R.H,INSIDE	1	
5	16001-1073	CARBURETOR,R.H,OUT	1	
5	16001-1082	CARBURETOR,R.H,OUTSID	1	
6	16046-005	SCREW	1	
7	16040-009	SPRING,F	1	
8	410B0500	WASHER PLAIN 5MM	1	
9	16039-019	WASHER,PLAIN	1	
10	16041-021	SHAFT,STARTER PLUNGER	1	
11	16046-007	SCREW,PAN HEAD,5X7	4	
12	13168-1026	LEVER,STARTER PLUNGER	4	
13	220B0514	SCREW-PAN-CROS	3	
14	461F0500	WASHER SPRING 5MM	4	
15	16055-012	PLATE,SHAFT STOPPER	1	
16	16041-017	SHAFT,CARB CONNECTION	1	
17	16040-022	SPRING,CABLE PULLY	1	
18	16021-032	SCREW	1	
18	16021-1008	SCREW,ADJUST	1	
19	16022-010	SPRING,THROTTLE ADJST	1	
20	16077-017	BRACKET,THROTTLE CABL	1	
21	221B0510A	SCREW CNTSNK HD 5X10	2	
22	16067-006	BOLT,HEX HEAD,5X14	1	
23	16068-015	PULLEY,THROTTLE CABLE	1	
24	16073-016	RING	1	
25	482K3000	CIRCLIP 3MM	1	
26	16022-017	SPRING,THROTTLE STOP	1	
27	16021-1010	SCREW,THROTTLE STOP	1	
28	16065-049	HOLDER,CARBURETOR	1	
29	92081-1028	SPRING,THROTTLE PULLY	1	
30	16077-016	BRACKET,THROTTLE CABL	1	
31	16033-029	SCREW,6X14	8	
32	92037-056	CLAMP,CARB CONECT HOS	2	
33	92059-1443	TUBE,5.8X10.8X180	1	
33	92059-1044	HOSE,FEL,6.5X11.5X160	1	
34	92005-1010	FITTING	1	
35	92059-1045	HOSE,AIR VENT,5X8X250	2	
36	92005-1009	FITTING	2	
37	16039-042	CAP,RUBBER	2	
38	92071-104	GROMMET,CARBURETOR	6	
39	92059-141	HOSE,6X11.5X16	2	
40	92037-173	CLAMP,OVERFLOW HOSE	4	
41	92059-147	HOSE,FUEL OVERFLOW	1	
42	92037-072	CLAMP-PIPE	2	
43	92059-1019	TUBE,5.3X10.5X140	1	
44	92037-1092	CLAMP,AIR VENT HOSE	1	
45	92059-147	HOSE,FUEL OVERFLOW	1	
45	92059-134	HOSE,FUEL OVERFLOW	1	
46	97059-134	UNAVAILABLE IN PRICE BOOK	2	

47	13166-1026	UNAVAILABLE IN PRICE BOOK	4	
48	16073-016	RING	1	
49	482K3000	CIRCLIP 3MM	1	

2650

Carburetor Parts

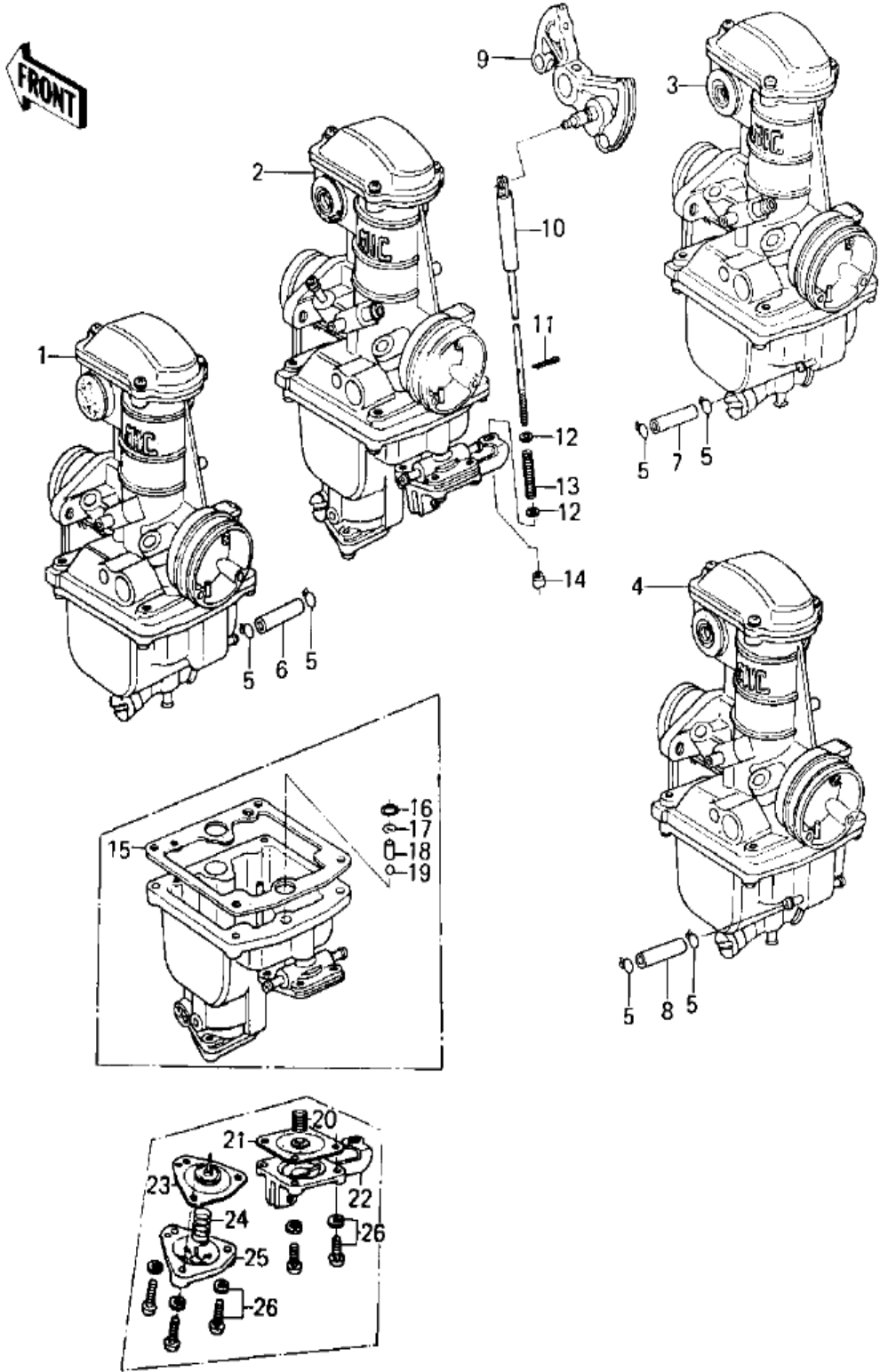


Ref #	Part #	Description	Qty	Spec #
1	16005-027	TOP,MIXING CHAMBER	4	
2	223B0414	SCREW-PAN-WS-CROS	12	
3	461F0400	WASHER SPRING 4MM	16	
4	16019-031	GASKET,CHAMBER TOP	4	
5	16003-013	NUT,5MM	4	
6	461F0500	WASHER SPRING 5MM	8	
7	16039-016	WASHER,PLAIN	4	
8	16046-012	SCREW,SLOTTED	4	
9	16057-002	SEAT,SPRING	4	
10	16040-026	SPRING	4	
11	16067-006	BOLT,HEX HEAD,5X14	4	
12	39075-1001	LEVER,THROTTLE	4	
13	16033-031	SCREW,PAN HEAD,3X14	8	
14	16007-028	BRACKET,THROTTLE VALV	4	
14	39184-1001	BRACKET,THROTTLE VALV	4	
15	16008-010	CIRCLIP	4	
16	16009-1013	JET NEEDLE,5CN15	4	
16	16009-1015	JET NEEDLE,5CL10	4	
16	16009-1029	JET NEEDLE,5CL16	4	
16	16025-1006	VALVE,THROTTLE	4	
16	16025-1016	VALVE,THROTTLE,CA2.0	4	
16	16025-1025	VALVE,THROTTLE,CA1.75	4	
18	16076-003	CIRCLIP	4	
19	16073-014	COLLAR	4	
20	16039-015	CAP,STARTER PLUNGER	4	
21	16012-015	CAP,STARTER PLUNGER	4	
22	67081509	UNAVAILABLE IN PRICE BOOK	4	
23	16013-008	SPRING,STARTER PLUG	4	
24	16016-021	PLUNGER,STARTER	4	
25	16017-1021	NEEDLE JET,0-4	4	
25	16017-1018	NEEDLE JET,AO-7	4	
25	16017-1034	NEEDLE JET,AO-5	4	
26	16047-005	PIPE,BLEED	4	
26	49122-1006	PIPE,BLEED	4	
27	16038-016	"O" RING,MAIN JET COV	8	
28	92063-1028	MAIN JET,#A102.5	4	
28	92063-1029	MAIN JET,#A90R	4	
28	92063-1035	MAIN JET,#A97.5R	4	
28	92063-1033	MAIN JET,#A100	4	RACING USE ONLY
28	92063-1042	MAIN JET,#A105R	4	RACING USE ONLY
28	92063-073	JET-MAIN NO 107.5R	4	RACING USE ONLY
28	92063-068	MAIN JET NO 92.5R	4	RACING USE ONLY
28	92063-1031	MAIN JET,#A95	4	RACING USE ONLY
29	16022-016	SPRING,PILOT SCREW	4	
30	16014-018	SCREW,PILOT ADJUSTING	4	
31	16038-024	"O" RING	4	
32	11012-1041	CAP,LIMITER	4	
33	16029-004	WASHER FLOAT VLV SEAT	4	
34	16030-1001	FLOAT VALVE ASSY	4	

35	92064-1018	PILOT JET,#A15	4	
36	92064-1019	PILOT JET,#A50	4	
37	16031-031	FLOAT	4	
38	16032-003	FLOAT PIN	4	
39	11009-1563	GASKET,FLOAT CHAMBER	4	
40	220B0416	SCREW PAN HEAD 4X16	16	
41	16049-007	SCREW,GUIDE	4	
42	16014-1004	SCREW,PILOT ADJUSTING	4	
42	16014-1006	SCREW,AIR ADJUSTING	4	
43	16038-022	"O" RING	4	
44	16022-007	SPRING-THR STOP SCREW	4	
45	13169-1107	PLATE,JET NEEDLE	4	
46	92027-1103	RING,JET NEEDLE	4	
47	92022-1024	WASHER,THROTTLE VALVE	4	
48	92081-1072	SPRING,JET NEEDLE	4	

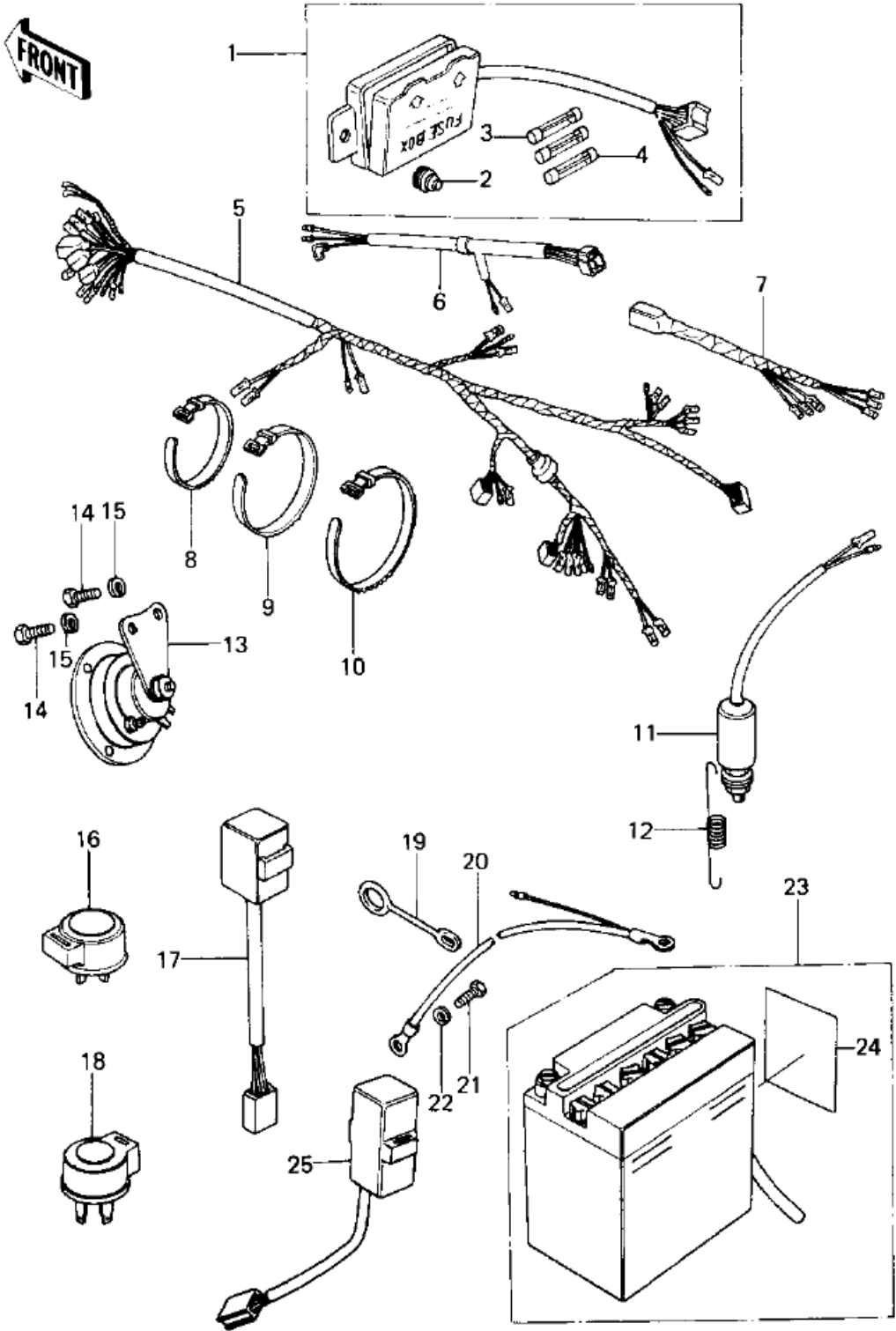
1650

CARBURETORS/ACCELERATOR PUMP (USA) (KZ650)



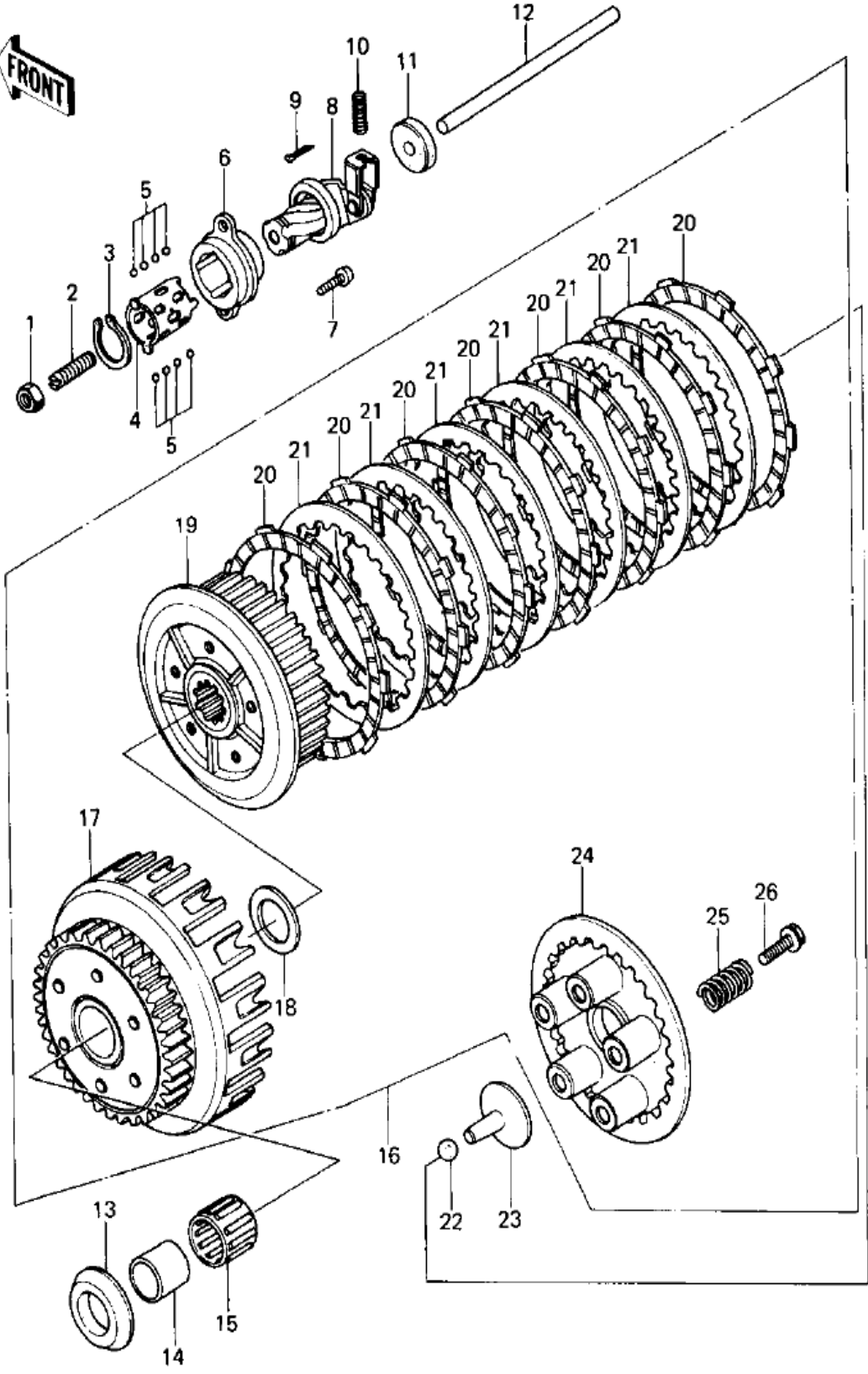
Ref #	Part #	Description	Qty	Spec #
1	16001-1122	CARBURETOR,L.H,OUTSID	1	
2	16001-1123	CARBURETOR,L.H,INSIDE	1	
3	16001-1124	CARBURETOR,R.H,INSIDE	1	
4	16001-1125	CARBURETOR,R.H,OUTSID	1	
5	92037-1124	CLAMP,TUBE	6	
6	92059-1072	TUBE,3.5X7.5X47.5	1	
7	92059-1071	TUBE,3.5X7.5X64.5	1	
8	92059-1072	TUBE,3.5X7.5X47.5	1	
9	13236-1014	PULLEY,THROTTLE CABLE	1	
10	46102-1007	ROD ASSY,PUMP	1	
11	550D1006	COTTER PIN,1.0X6	1	
12	92022-1138	WASHER,PUMP ROD	2	
13	92081-1138	SPRING,PUMP ROD	1	
14	92015-1075	NUT,PUMP ROD	1	
15	11009-1562	GASKET,FLOAT CHAMBER	4	
16	16038-016	"0" RING,MAIN JET COV	4	
17	92037-1123	CLAMP,SPRING,CHECK VL	4	
18	13042-1004	WEIGHT,PUMP,CHECK VLV	4	
19	92140-1003	BALL,STEEL,CHECK VALV	4	
20	92081-1139	SPRING,PUMP DIAPHRAGM	1	
21	43028-1012	DIAPHRAGM,PUMP	1	
22	14025-1139	COVER ASSY,PUMP	1	
23	43028-1010	DIAPHRAGM,SENSOR	1	
24	92081-1137	SPRING,SENSOR DIAPHRA	1	
25	14025-1121	COVER,SENSOR	1	
26	223B0414	SCREW-PAN-WS-CROS	7	

CHASSIS ELECTRICAL EQUIPMENT



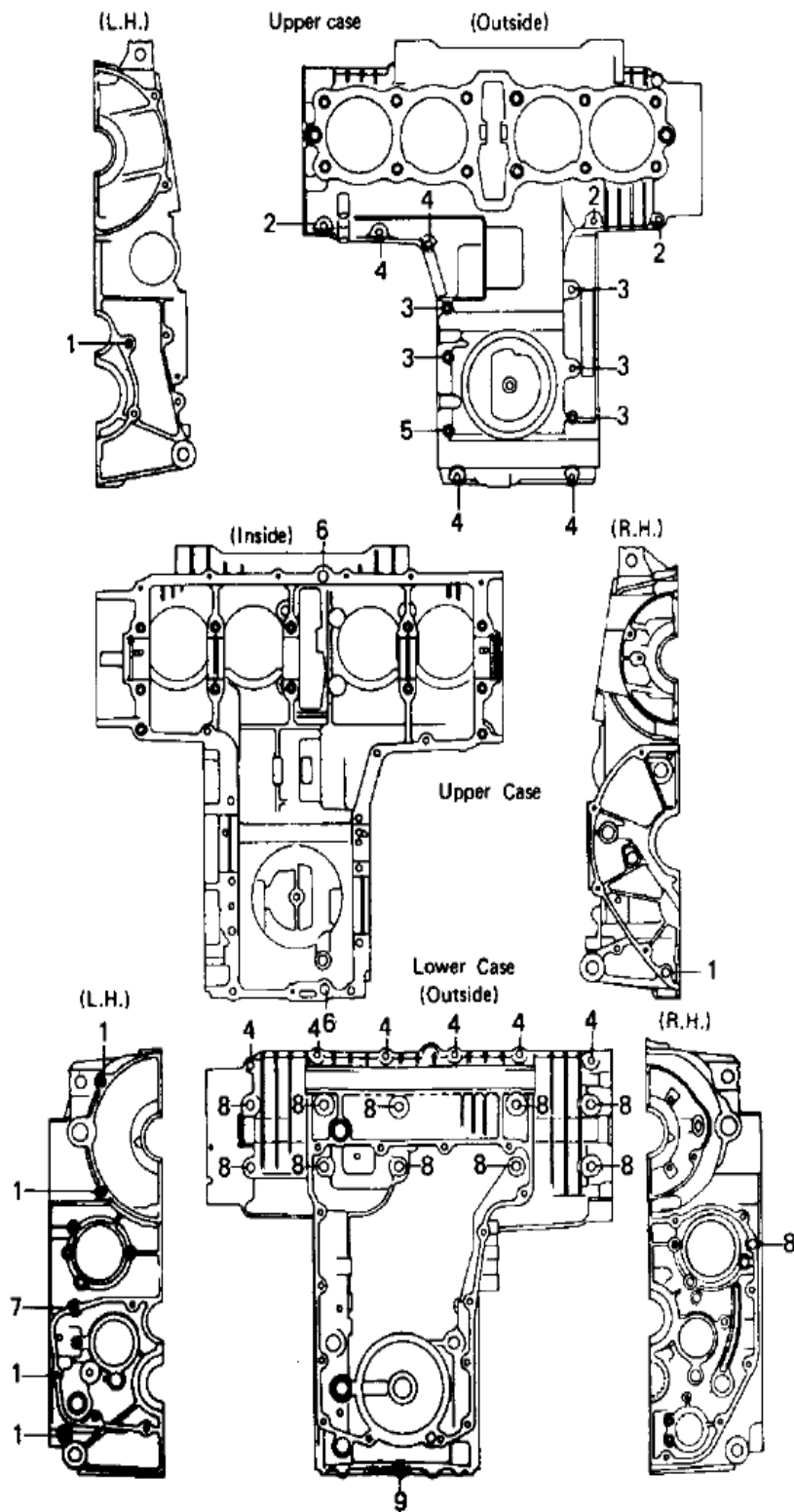
Ref #	Part #	Description	Qty	Spec #
1	26004-1002	FUSE ASSY	1	
2	92075-279	DAMPER RUBBER,FUSE	1	
3	26006-005	FUSE-20A	2	
4	26006-003	FUSE 10A	3	
5	26001-1027	HARNESS,MAIN	1	KZ650-D1/D1A
5	26001-1061	HARNESS,MAIN	1	KZ650-D2
6	26001-1022	HARNESS,CENTER	1	
7	26002-063	WIRING HARNESS,REAR	1	
8	92072-030	BAND,SHORT	2	KZ650-D1/D1A
8	92072-030	BAND,SHORT	5	KZ650-D2
9	92072-031	BAND,MIDDLE	1	
10	92072-056	BAND,WIRING HARNESS	4	
11	27010-017	SWITCH-BRAKE LAMP	1	
12	27011-009	SPRING BRAKE LAMP SW	1	
13	27003-076	HORN	1	
14	112G0616	BOLT-UPSET,6X16	2	
15	461F0800	WASHER SPRING 8MM	2	
16	27002-016	RELAY,TURN SIGNAL	1	
17	28019-001	SWITCH,OUTAGE,INDICTR	1	
18	27002-011	RELAY-TURN SIGNAL	1	
19	92037-134	CLAMP,OVER FLOW PIPE	1	
20	26010-049	WIRE,BATTERY GROUND	1	
21	92001-137	BOLT,HEX HEAD,6MM	1	
22	461F0600	WASHER SPRING 6MM	1	
23	26012-041	YUA BAT YB10L-A2	1	
24	56040-1036	LABEL-WARNING,BATTERY	1	
25	27010-1015	SWITCH,FUEL CHECK	1	

Clutch



Ref #	Part #	Description	Qty	Spec #
1	318B0800	NUT 8MM	1	
2	92014-014	SCREW,SLOTTED,8X25	1	
3	480J1500	CIRCLIP 15MM	1	
4	13197-004	RETAINER	1	
5	600A0400	BALL,STEEL,1/8"	11	
6	13118-011	OUTER,CLUTCH RELEASE	1	
7	220B0616	SCREW PAN HEAD 6X16	2	
8	13102-027	INNER,CLUTCH RELEASE	1	
9	550D1615	PIN COTTER 1.6X15	1	
10	92081-069	SPRING-CLUTCH RELEASE	1	
11	92050-048	OIL SEAL,TC7187	1	
12	13116-035	ROD,CLUTCH PUSH	1	
13	92026-116	SPACER,THRUST,T=5.5MM	1	
14	92028-178	BUSHING,CLUTCH	1	
15	92046-028	BEARING,KTV323723	1	
16	13081-1043	CLUTCH-ASSY	1	
17	13095-1022	HOUSING,CLUTCH	1	
18	92026-022	WASHER TH 25.5X47X2.5	1	
19	13087-043	HUB,CLUTCH	1	
20	13088-030	PLATE,CLUTCH FRICTION	7	
21	13089-022	PLATE,CLUTCH STEEL	6	
22	600A1200	BALL STEEL 3/8'	1	
23	13116-022	PUSHER,CLUTCH SPRG PL	1	
24	13187-006	PLATE,CLUTCH SPRING	1	
25	92081-1033	SPRING,CLUTCH	5	
26	92001-1066	BOLT,CLUTCH SPR FITT	5	

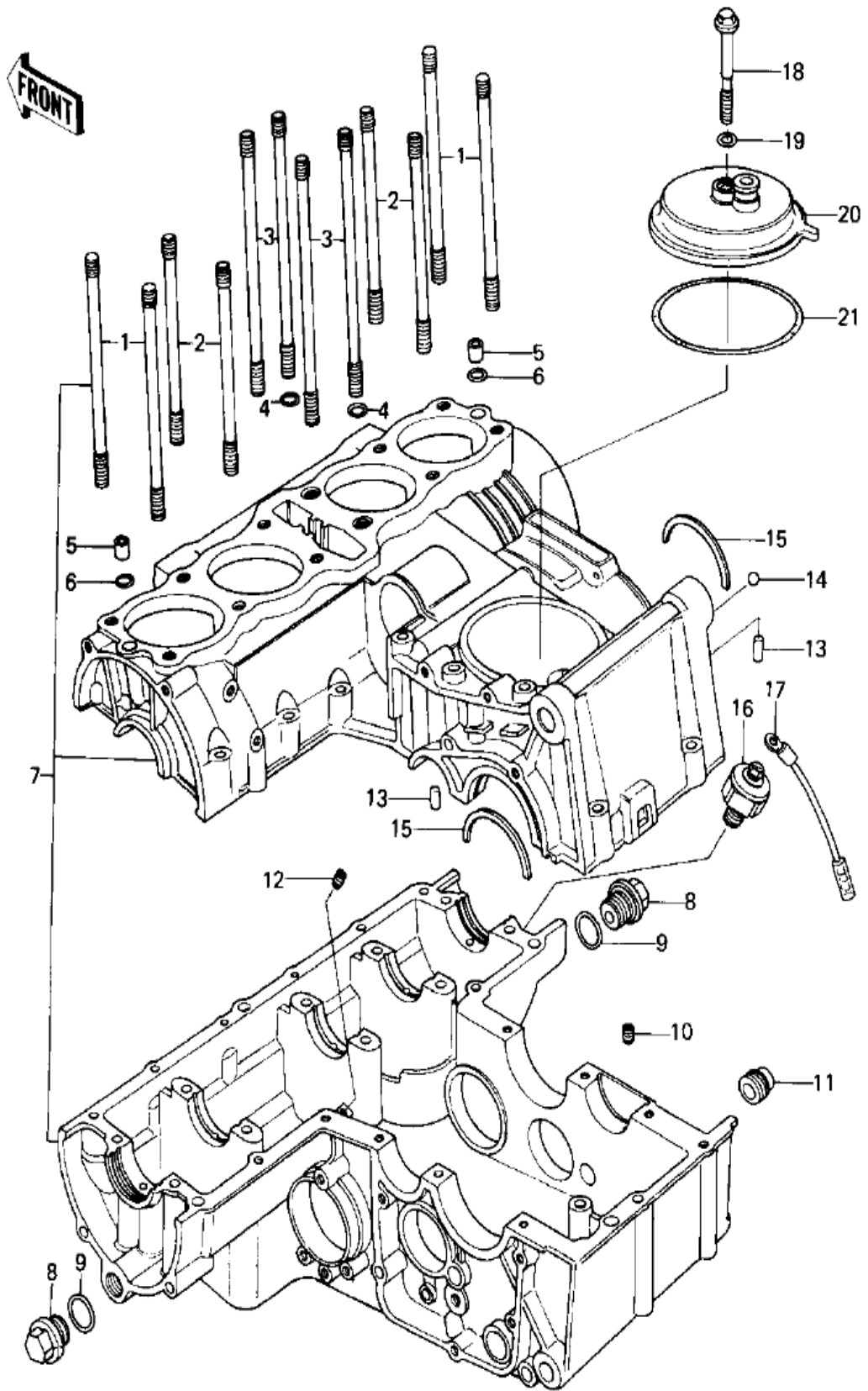
CRANKCASE BOLT & STUD PATTERN



Ref #	Part #	Description	Qty	Spec #
1	92042-007	PIN-DOWEL	7	
2	130G0650	BOLT-FLANGED,6X50	3	
3	92003-111	BOLT,HEX HEAD,6X99	5	
4	92002-1881	BOLT,6X43	5	ASTERISK (*) MARKED PARTS ARE
4	92002-1881	BOLT,6X43	5	ASTERISK (*) MARKED PARTS ARE
4	92002-1881	BOLT,6X43	8	
5	92003-113	BOLT,HEX HEAD,6X116	1	
6	92043-1037	PIN,DOWEL,10X8.2X14	1	ASTERISK (*) MARKED PARTS ARE
6	92043-1037	PIN,DOWEL,10X8.2X14	1	ASTERISK (*) MARKED PARTS ARE
7	551A0614	PIN,DOWEL,6X14	1	
8	130P0895	BOLT-FLANGED,8X95	10	
9	92003-194	BOLT,6X105	1	

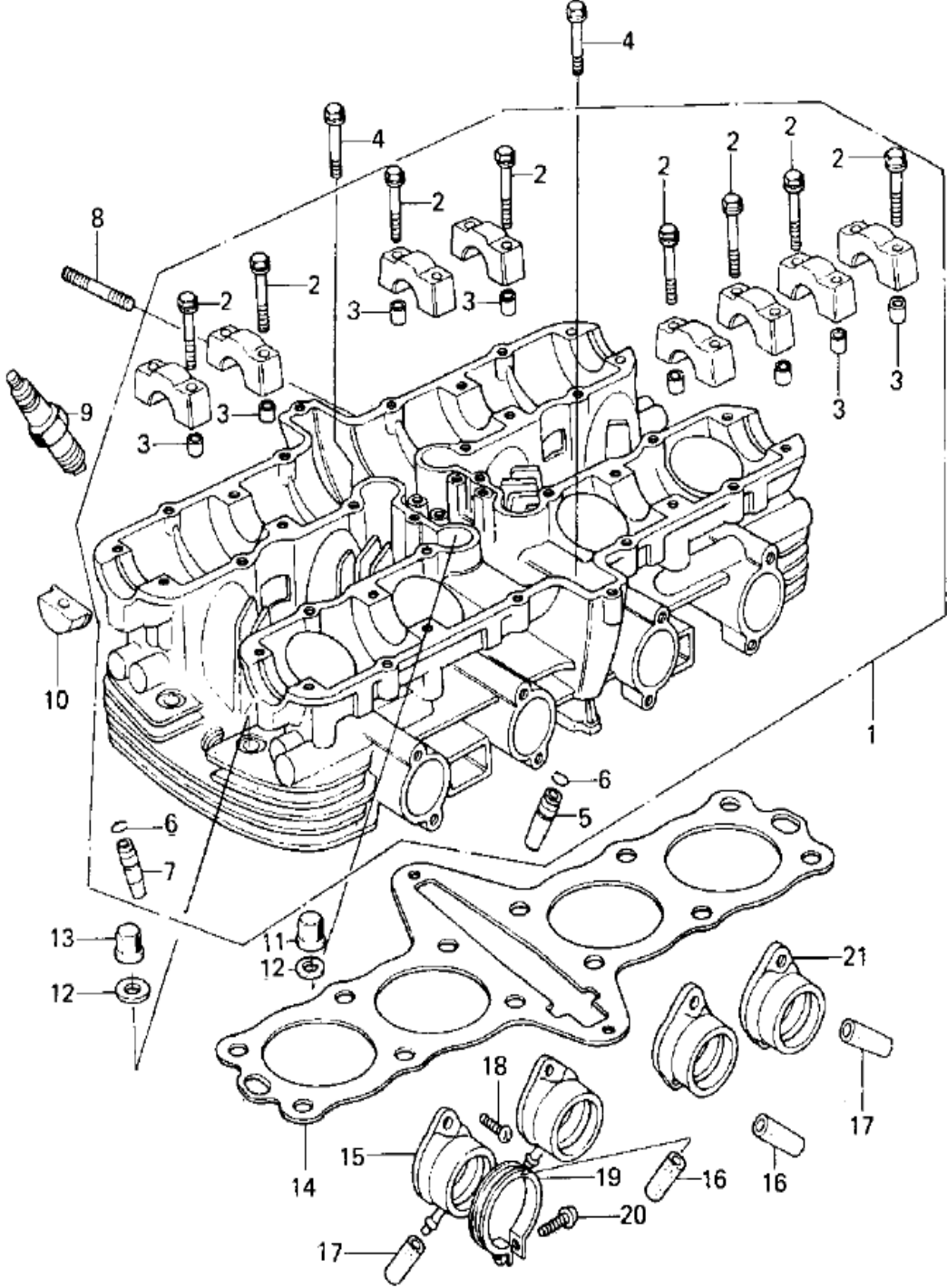
130G0650

CRANKCASE/BREATHER COVER



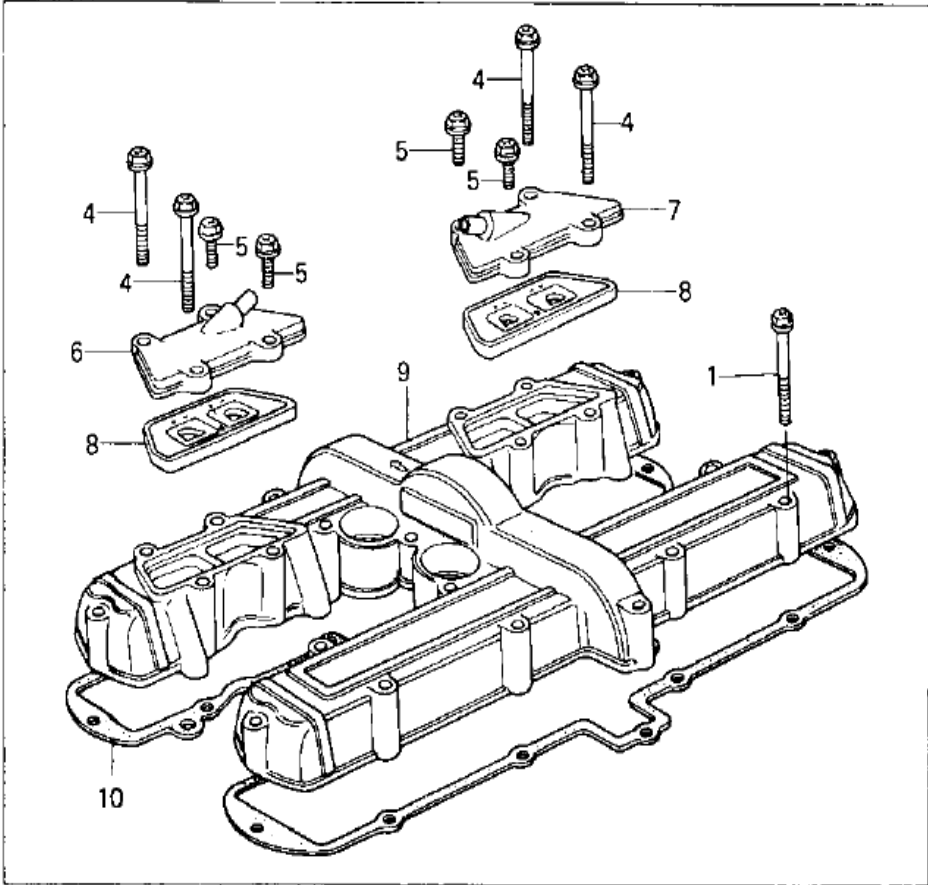
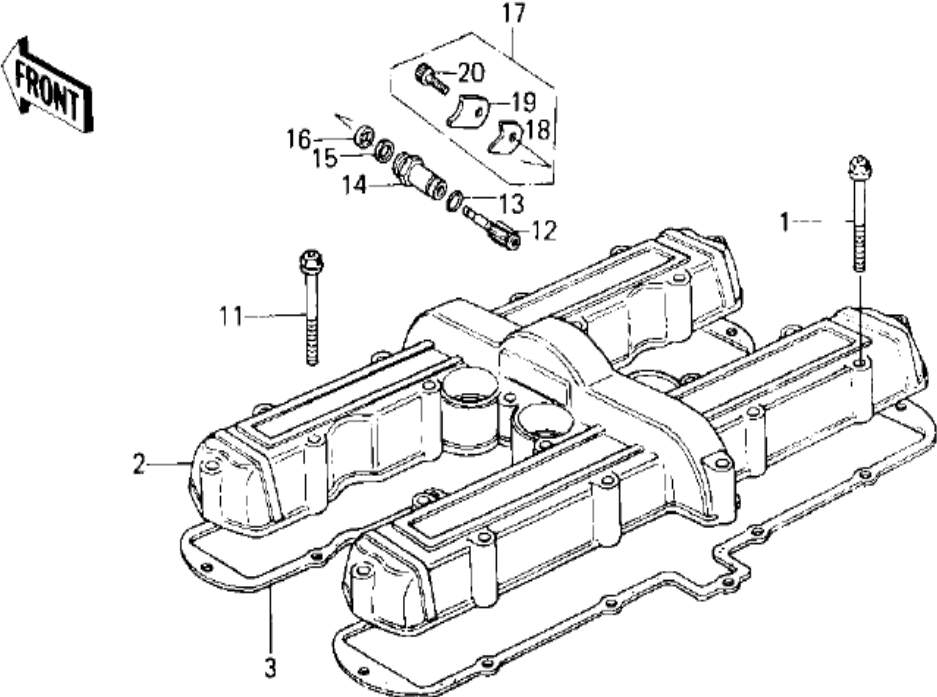
Ref #	Part #	Description	Qty	Spec #
1	92004-1004	STUD,10X133	4	
2	92004-1007	STUD,10X116	4	
3	92004-062	STUD,10X153	4	
4	92055-099	"O" RING,8.8MM	2	
5	92062-016	NOZZLE	2	
6	670D2010	O RING	2	
7	14001-5046	CRANKCASE SET	1	INCLUDES REF. NO'S MARKED *
8	92066-066	PLUG	2	
9	92055-1146	RING-O	1	
10	92062-015	NOZZLE	1	
11	92062-014	NOZZLE	1	
12	92062-011	NOZZLE,OIL BIAS	1	
13	92042-016	PIN DOWEL 6MM	2	
14	92066-057	PLUG	1	
15	14013-004	RING BEARING SETTING	2	
16	16144-006	SWITCH ASY,OIL PRSSUR	1	
17	26011-1011	WIRE,LEAD,OIL SWITCH	1	KZ650-D1/D1A
18	92003-107	BOLT,HEX HEAD,8X72	1	
19	670B1508	"O" RING,8MM	1	
20	14070-1008	BODY-BREATHER	1	
21	92055-052	"O" RING,91MM	1	

Cylinder Head



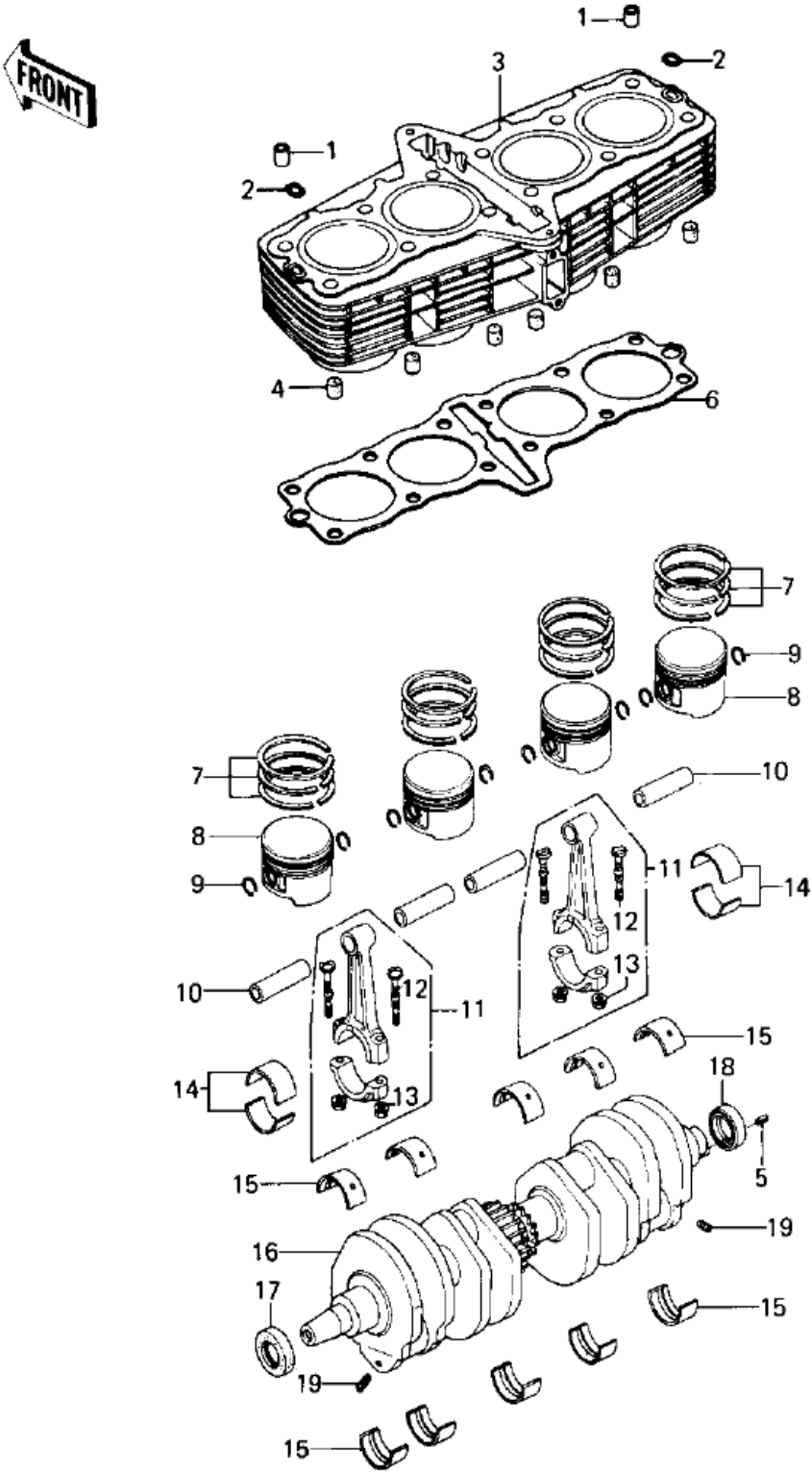
Ref #	Part #	Description	Qty	Spec #
1	11002-028-2H	CYLINDER HEAD,BARREL	1	KZ650-D1/D1A
1	11002-1014	HEAD ASSY,CYLINDER	1	KZ650-D2
1	11002-1020	HEAD ASSY,CYLINDER	1	KZ650-D2
2	92003-206	BOLT,HEX HEAD,6X38	16	
3	92042-007	PIN-DOWEL	16	
4	92002-1881	BOLT,6X43	2	
5	12013-009	GUIDE,INLET VALVE	4	
6	92036-023	CIRCLIP-VALVE	8	
7	49002-1002	GUIDE,EXHAUST VALVE	4	
8	92004-066	STUD,6X27	8	
9	B7ES	SPARK PLUG B7ES	4	LOCAL PROCUREMENT ITEM
10	92066-1111	PLUG,CAMSHAFT,11.35X1	4	
11	92015-1415	NUT,10MM	8	
11	92015-076	NUT,CYLINDER HEAD	8	
12	411B1000	WASHER PLAIN 10MM	12	
13	92015-076	NUT,CYLINDER HEAD	4	
14	11004-1107	GASKET-HEAD,CYLINDER	1	
15	16065-046	HOLDER,CARB,L.H.	2	
16	92068-006	RUBBER PLUG	2	
17	92068-006	RUBBER PLUG	2	KZ650-D1/D1A
17	92068-006	RUBBER PLUG	2	KZ650-D2
18	220B0618	SCREW PAN HEAD 6X18	8	
19	92037-178	CLAMP,CARBURETOR HLDR	4	
20	220B0525	SCREW-PAN-CROS,5X25	4	
21	16065-047	HOLDER,CARB,R.H	2	

Cylinder head cover



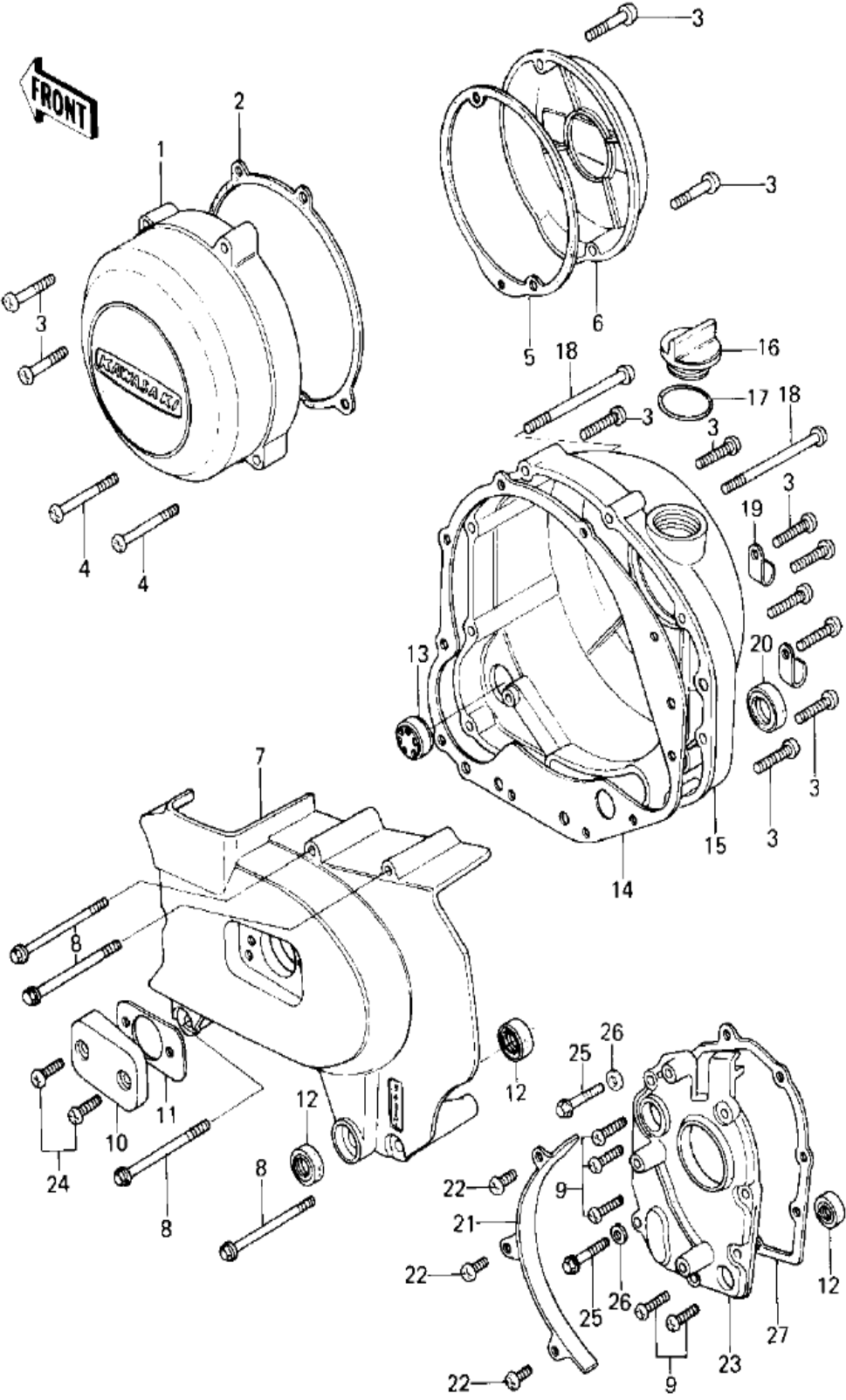
Ref #	Part #	Description	Qty	Spec #
1	92001-165	BOLT,HEX HEAD,6X45	20	
2	11022-009-2H	COVER,CYLINDER HEAD	1	KZ650-D1/D1A
2	14025-1065	COVER,CYLINDER HEAD	1	KZ650-D2
3	11009-1025	GASKET,CYL HEAD COVER	1	KZ650-D1/D1A
4	92001-1102	BOLT,HEX HEAD,6X65	4	KZ650-D2
5	92001-1352	BOLT,FLANGED,6X22	4	KZ650-D2
6	14075-5002	CAP ASSY,L.H,REED VLV	1	KZ650-D2
7	14075-5001	CAP ASSY,R.H,REED VLV	1	KZ650-D2
8	12021-1003	VALVE ASSY REED	2	KZ650-D2
9	14025-1058	COVER,CYLINDER HEAD	1	KZ650-D2
10	11009-1065	GASKET,CYL HEAD COVER	1	KZ650-D2
11	92001-165	BOLT,HEX HEAD,6X45	4	KZ650-D1/D1A
11	92001-165	BOLT,HEX HEAD,6X45	4	KZ650-D2
12	13223-011	GEAR,TACHOMETER,10T	1	
13	92055-1149	RING-O,10MM	1	
14	92087-010	GUIDE,TACHOMETER GEAR	1	
15	92050-075	OIL SEAL	1	
16	92065-103	GASKET,TACHOMETER GER	1	
17	13091-5001	HOLDER SET,TACHOMETER	1	
18	13091-1009	HOLDER,TACHOMETR,3.2T	1	
19	13091-1008	HOLDER,TACHOMETER2.3T	1	
20	120P0614	BOLT,6X14	1	

CYLINDER/PISTONS/CRANKSHAFT



Ref #	Part #	Description	Qty	Spec #
1	92043-1266	PIN,11X14X12.3	2	
2	92055-1147	RING-O	2	
3	11005-1039	CYLINDER	1	
4	92066-1016	PLUG,DAMPER	6	
5	555A0408	PIN-SPRING,4X8	1	
6	11060-1362	GASKET	1	
7	13008-059	RING SET,PISTON,STD	4	
7	13025-061	RING SET,0.020",O.S.	4	
7	13024-060	RING SET,0.040",O.S.	4	
8	13001-1002	PISTON,STD	4	
8	13029-077	PISTON,0.020",O.S.	4	
8	13027-069	PISTON,0.040",O.S.	4	
9	92036-005	CIRCLIP PISTON PIN	8	
10	13002-032	PIN-PISTON	4	
11	13251-1003-HH	CONNECTING ROD ASSY	4	"H" MARK
11	13251-1007-JJ	CONNECTING ROD ASSY,J	4	"I" MARK
11	13251-1007-JJ	CONNECTING ROD ASSY,J	4	"J" MARK
12	92001-175	BOLT,CONNECTING ROD	8	
12	92001-1793	BOLT,CONNECTING ROD	8	
13	92016-060	NUT,CONNECTING ROD	8	
14	13034-050	METAL,CONNECT ROD BRG	8	GREEN OR "A" MARK
14	13034-051	METAL,CONNECT ROD BRG	8	BLACK OR "B" MARK
14	13034-052	METAL,CONNECT ROD BRG	8	BROWN OR "C" MARK
15	92028-1102	BUSHING,CRANKSHAFT	10	
16	13037-069	CRANKSHAFT ASSY	1	
17	92050-080	OIL SEAL,HSCY22397	1	
18	92050-081	OIL SEAL,HSCY25397	1	
19	291H0608	SCREW,SLOTTED,6X8	2	

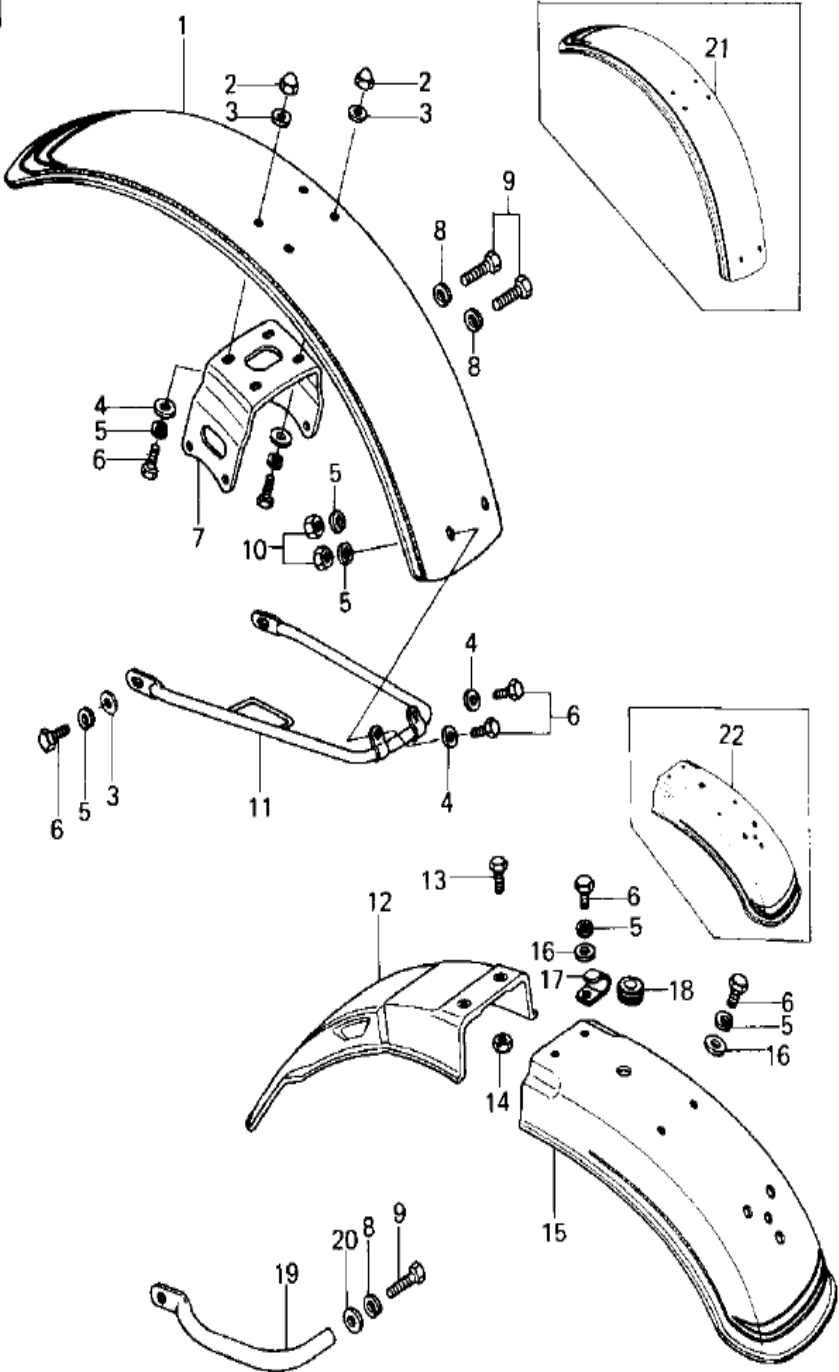
Engine covers



Ref #	Part #	Description	Qty	Spec #
1	14031-1028	COVER,GENERATOR,BUFF	1	
2	11009-1987	GASKET,GENERATOR COVE	1	
3	220B0630	SCREW PAN HEAD 6X30	12	
4	220B0640	SCREW PAN HEAD 6X40	2	
5	11060-1053	GASKET,PULSING COIL C	1	
6	11012-1035	CAP,BREAKER POINT,BUF	1	
7	14026-035-80	COVER,ENG SPROCKT,BUF	1	
8	130G0670	BOLT-FLANGED,6X70	4	
9	220B0620	SCREW PAN HEAD 6X20	5	
10	14028-006-80	COVER,CLUTCH ADJUSTNG	1	
11	14049-004	GASKET,CLUTCH ADJ CAP	1	
12	92051-005	OIL SEAL,TB13225.5	3	
13	52015-004	GAUGE,OIL LEVEL	1	
14	14046-035	GASKET,R.H.ENG COVER	1	
15	14032-117-80	COVER,R.H.ENG,BUFF FN	1	
16	16115-013	PLUG,OIL FILLER	1	
17	92055-049	"O" RING,31MM	1	
18	220B0680	SCREW PAN HEAD 6X80	2	
19	21126-008	CLAMP,WIRING HARNESS	2	
20	92049-012	OIL SEAL SB20285	1	
21	12053-1006	GUIDE,CHAIN	1	
22	112B0614	BOLT-UPSET 6X14	3	
23	14024-011	COVER,MISSION	1	
24	220B0618	SCREW PAN HEAD 6X18	2	
25	92001-164	BOLT,HEX HEAD,6X35	2	
26	92022-077	WASHER OIL PUMP BANJO	2	
27	11060-1056	GASKET,TRANSMISSION C	1	

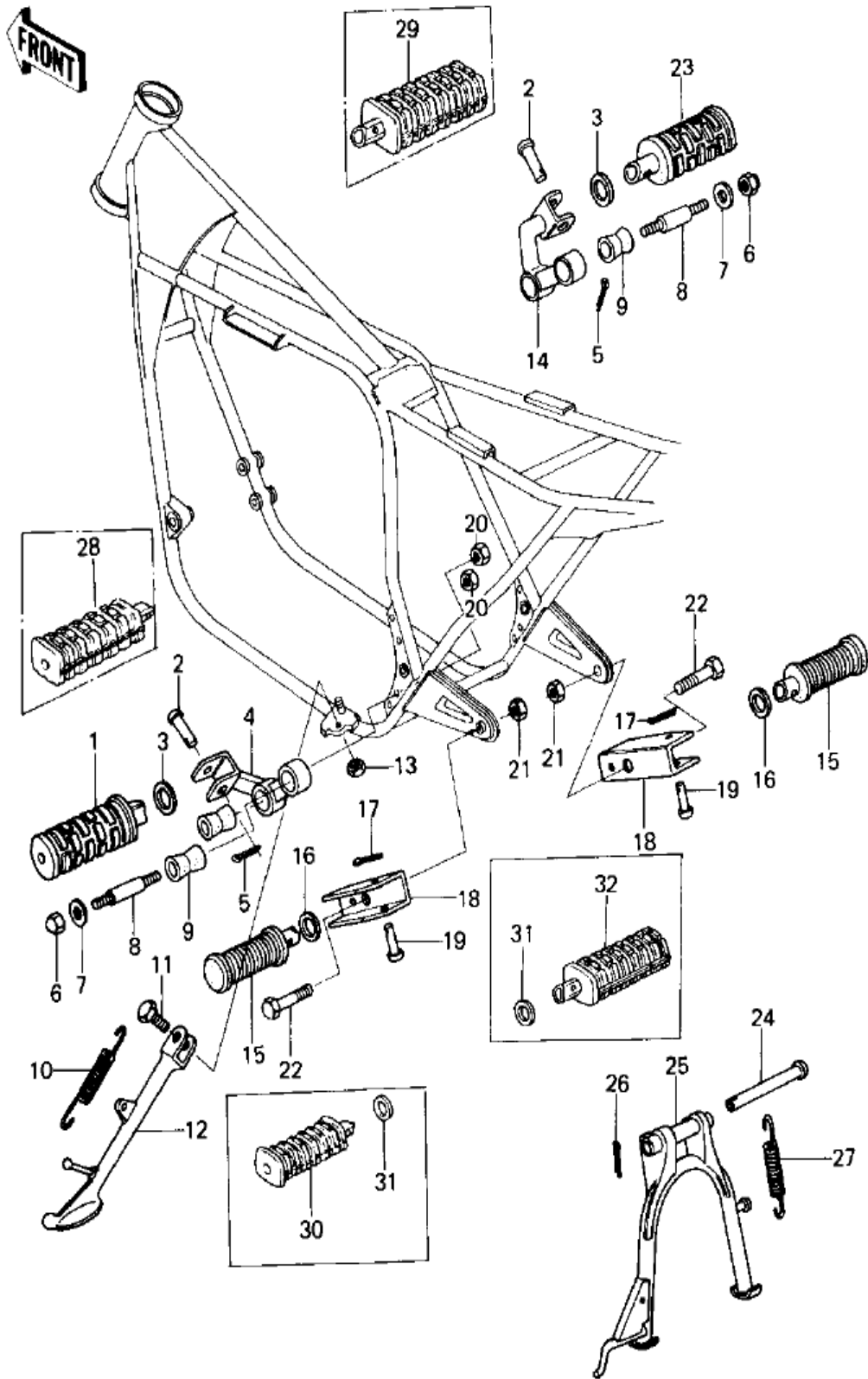
Fenders

FRONT



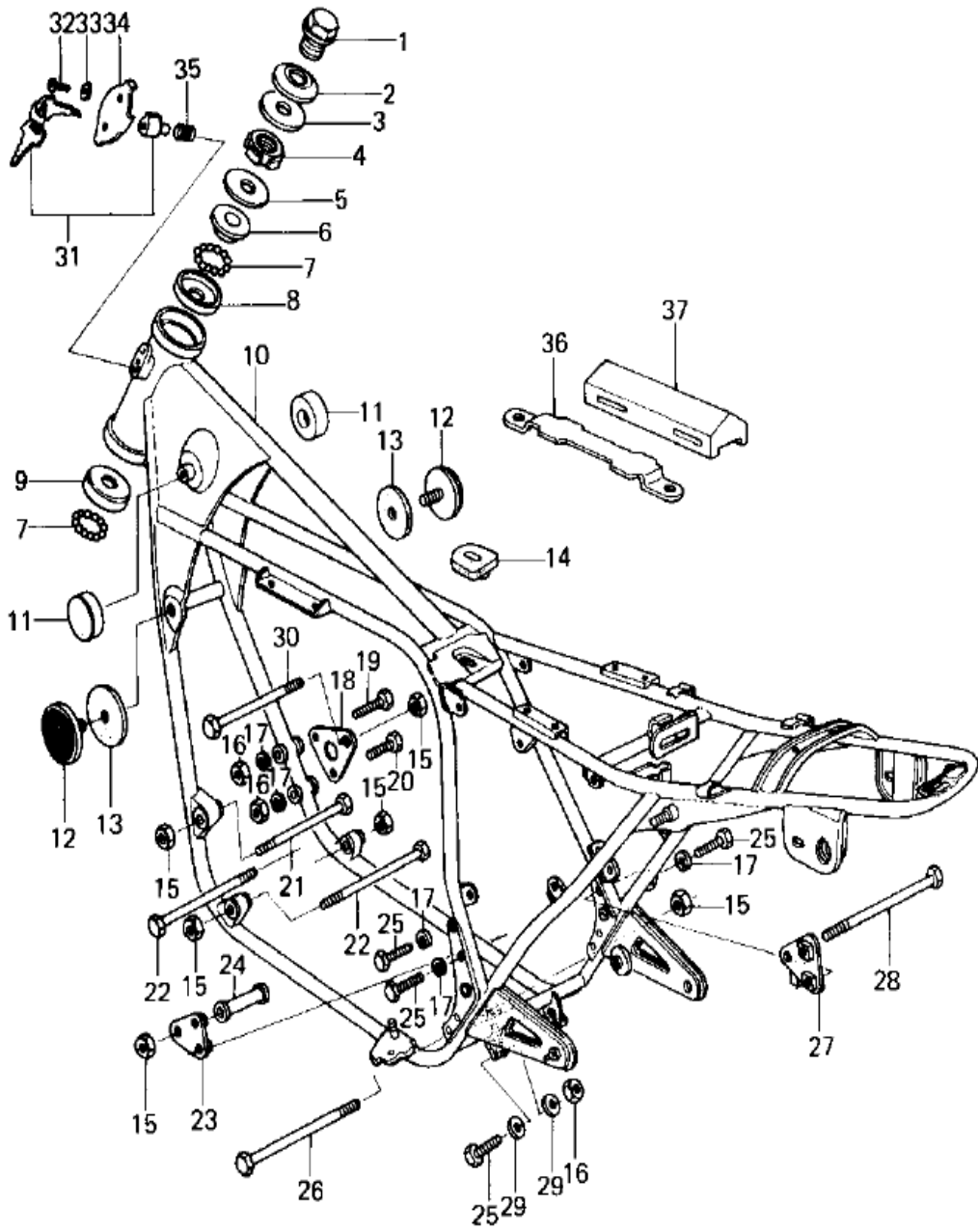
Ref #	Part #	Description	Qty	Spec #
1	35004-1019-A5	FENDER-FR,C.P.RED	1	KZ650-D1/D1A
2	322N0600	NUT-6MM	4	
3	411B0600	WASHER PLAIN 6MM	6	
4	92022-024	WASHER PLAIN	6	
5	461F0600	WASHER SPRING 6MM	12	
6	112B0614	BOLT-UPSET 6X14	12	
7	35009-1005	BRACE,FRONT FENDER	1	
8	461F0800	WASHER SPRING 8MM	5	
9	115G0816	BOLT-SMALL-UPSET,8X16	5	
10	311B0600	NUT 6MM	2	
11	35011-1005	STAY,FRONT FENDER	1	
12	35022-1046	FENDER-RR	1	
13	112G0616	BOLT-UPSET,6X16	2	
14	92017-014	NUT,LOCK 6MM	2	
15	35022-1005-A5	FENDER-RR,C.P.RED	1	KZ650-D1/D1A
16	410B0600	WASHER PLAIN 6MM	4	
17	92037-113	CLAMP,HARNESS	1	
18	92071-019	GROMMET HARNESS 10MM	1	
19	32109-1002	GRIP,FRAME	1	
20	410B0800	WASHER PLAIN 8MM	1	
21	35004-1019-8E	FENDER-FR,M.BLUE	1	KZ650-D2
21	35004-5001-A5	FENDER-FR,C.P.RED	1	KZ650-D2
22	35022-1005-8E	FENDER-RR,M.BLUE	1	KZ650-D2
22	35022-5001-A5	FENDER-RR,C.P.RED	1	KZ650-D2

FOOTRESTS/STANDS



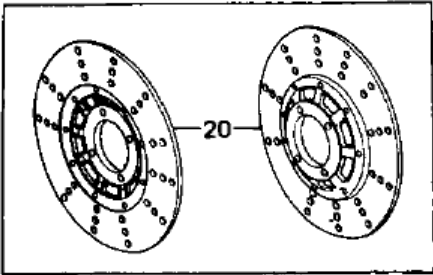
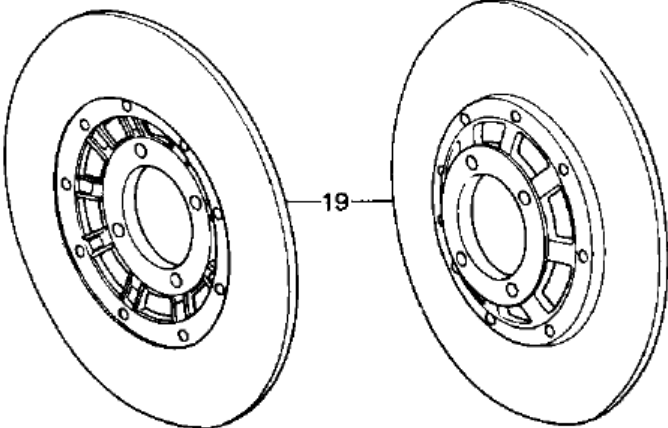
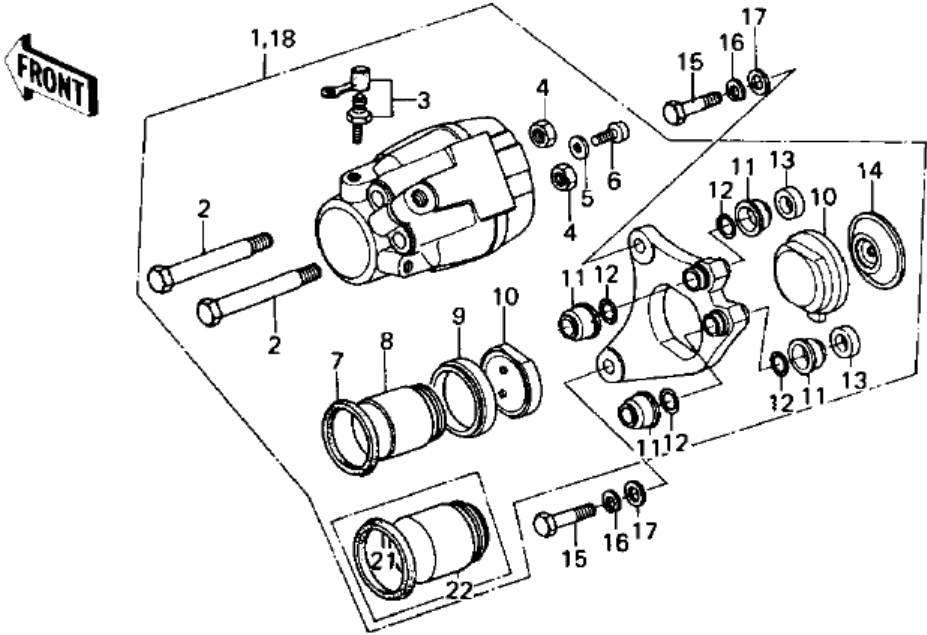
Ref #	Part #	Description	Qty	Spec #
1	34028-011	BAR-FOOTREST,L.H	1	KZ650
2	92043-080	PIN-FOOTREST BAR FIT	2	
3	92022-250	WASHER,PLAIN	2	
4	34003-1012	HOLDER,STEP,L.H.	1	
5	550D2516	PIN COTTER 2.5X16	2	
6	92019-013	NUT,CAP AND LOCK,8MM	4	
7	92102-010	CAP,FOOTRESTBAR	4	
8	92004-048	STUD,FOOTREST BAR FIT	4	
9	92075-293	DAMPER RUBBER,FOOTRES	4	
10	34025-005	SPRING,SIDE STAND	1	
11	92003-079	BOLT-SIDE STAND	1	
12	34024-1103	STAND-SIDE	1	
13	314B1000	NUT,10MM	1	
14	34003-1015	HOLDER,STEP,R.H.	1	
15	92076-027	RUBBER,FOOTREST	2	KZ65
16	92022-199	WASHER-PLAIN (OPT)	2	KZ65
17	550D2012	PIN,COTTER,2.0X12	2	
18	34036-002	BRACKET,REAR FOOTREST	2	
19	92043-1464	PIN	2	
20	315B1000	NUT 10MM	4	
21	92019-021	NUT,LOCK,10MM	2	KZ65
22	92003-213	BOLT,HEX HEAD,10X40	2	
23	34028-012	BAR-FOOTREST,R.H	1	
24	34019-015	SHAFT,MAIN STAND	1	
25	34011-1003	STAND-MAIN	1	
26	550D3030	PIN COTTER 3.0X30	1	
27	34023-016	SPRING,MAIN STAND	1	
28	34028-1007	STEP,FOOTREST,FRONT,L	1	KZ65
29	34028-1008	STEP,FOOTREST,FRONT,R	1	KZ65
30	34028-1009	STEP,FOOTREST,REAR,LH	1	KZ65
31	92022-181	WASHER-PLAIN	2	KZ65
32	34028-1010	STEP,FOOTREST,REAR,RH	1	

Frame



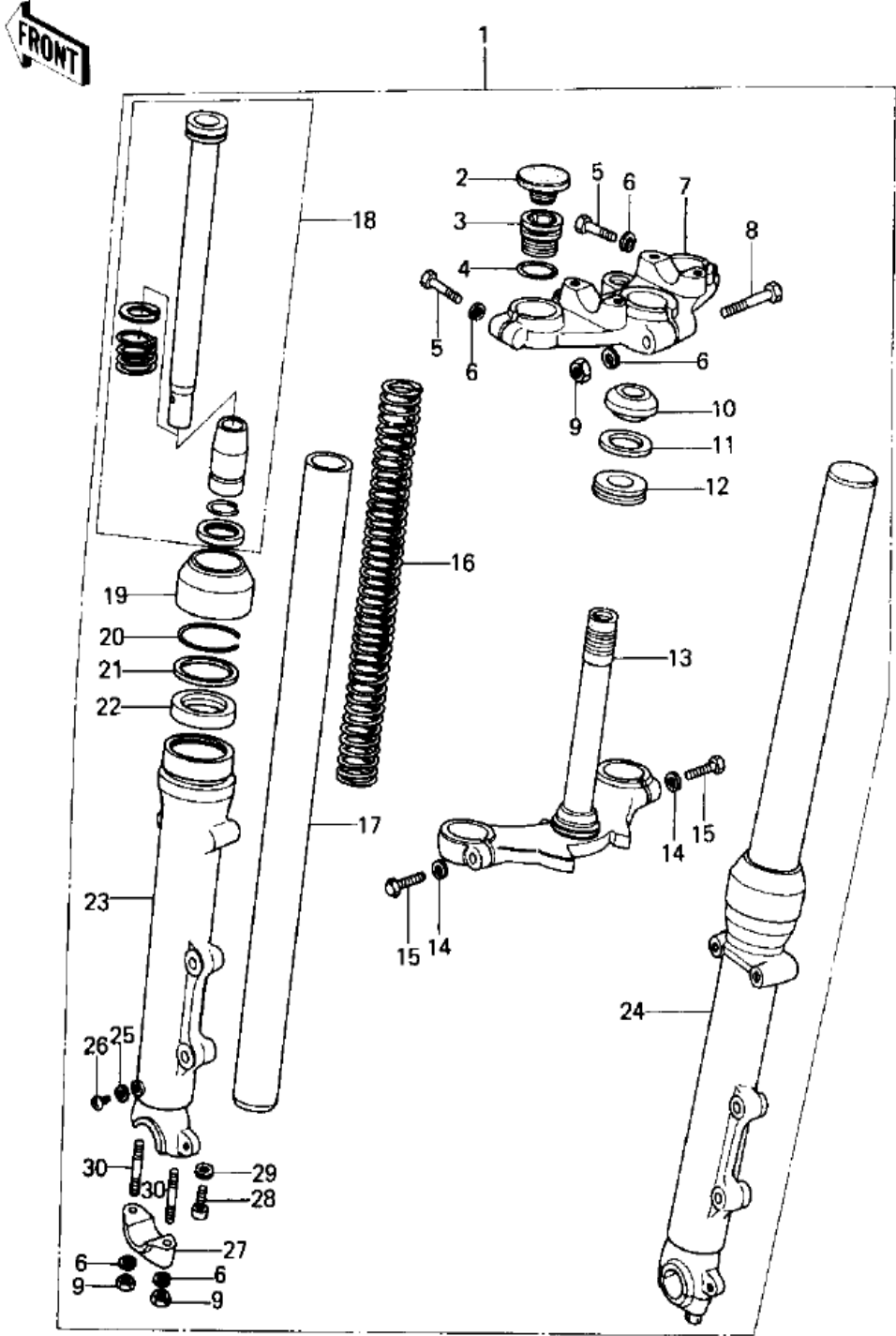
Ref #	Part #	Description	Qty	Spec #
1	92007-031	BOLT,STEERG STEM HEAD	1	
2	92022-230	WASHER,STEERG STM HD	1	
3	46100-003	WASHER,WAVE	1	
4	92090-007	NUT STEERING STEM LCK	1	
5	46098-016	CAP, STEERING STEM	1	
6	92047-011	CONE,STRNG STM BRNG	1	
7	600A0800	BALL STEEL 1/4'	39	
8	92048-006	RACE STRNG STEM BERNG	1	
9	92048-008	RACE,STRNG STM BRNG	1	
10	32002-1015	FRAME	1	
11	92075-101	DAMPER RUBBER-FL TANK	2	
12	28012-016	REFLECTOR,REFLEX	2	
13	92094-011	DAMPER RUBBER,REFLECT	2	
14	92075-295	DAMPER RUBBER FUEL TA	1	
15	92019-021	NUT,LOCK,10MM	6	
16	311B0800	NUT,8MM	4	
17	461F0800	WASHER SPRING 8MM	6	
18	32030-063	PLATE,FRONT ENG.MOUNT	1	
19	92001-1397	BOLT-8X63	1	
20	110G0859	BOLT,HEX HEAD,8X59	1	
21	92001-1049	BOLT,HEX HEAD,10X72	1	
22	92001-1048	BOLT,HEX HEAD,10X84	2	
23	32030-064	PLATE,RR ENG MONT,L.H	1	
24	92027-275	COLLAR,L=54MM.	1	
25	92001-1578	BOLT	6	
26	92091-032	BOLT,HEX HEAD,10X219	1	
27	32030-065	PLATE,RR ENG MONT,R.H	1	
28	92091-023	BOLT,ENGINE MOUNTING	1	
29	410B0800	WASHER PLAIN 8MM	4	
30	92001-1050	BOLT,HEX HEAD,10X46	1	
31	27016-5009	LOCK-ASSY,STEERING	1	KZ650-D1/D1A
31	27016-5009	LOCK-ASSY,STEERING	1	KZ650-D2
32	92008-007	SCREW-TAPPING	1	
33	92097-003	WASHER	1	
34	11012-1134	CAP,STEERING LOCK	1	
35	27032-001	SPRING-STEERING LOCK	1	
36	11034-1125	BRACKET,IGNITION COIL	2	
37	92075-1033	DAMPER,IGNITION COIL	2	

Front Brake



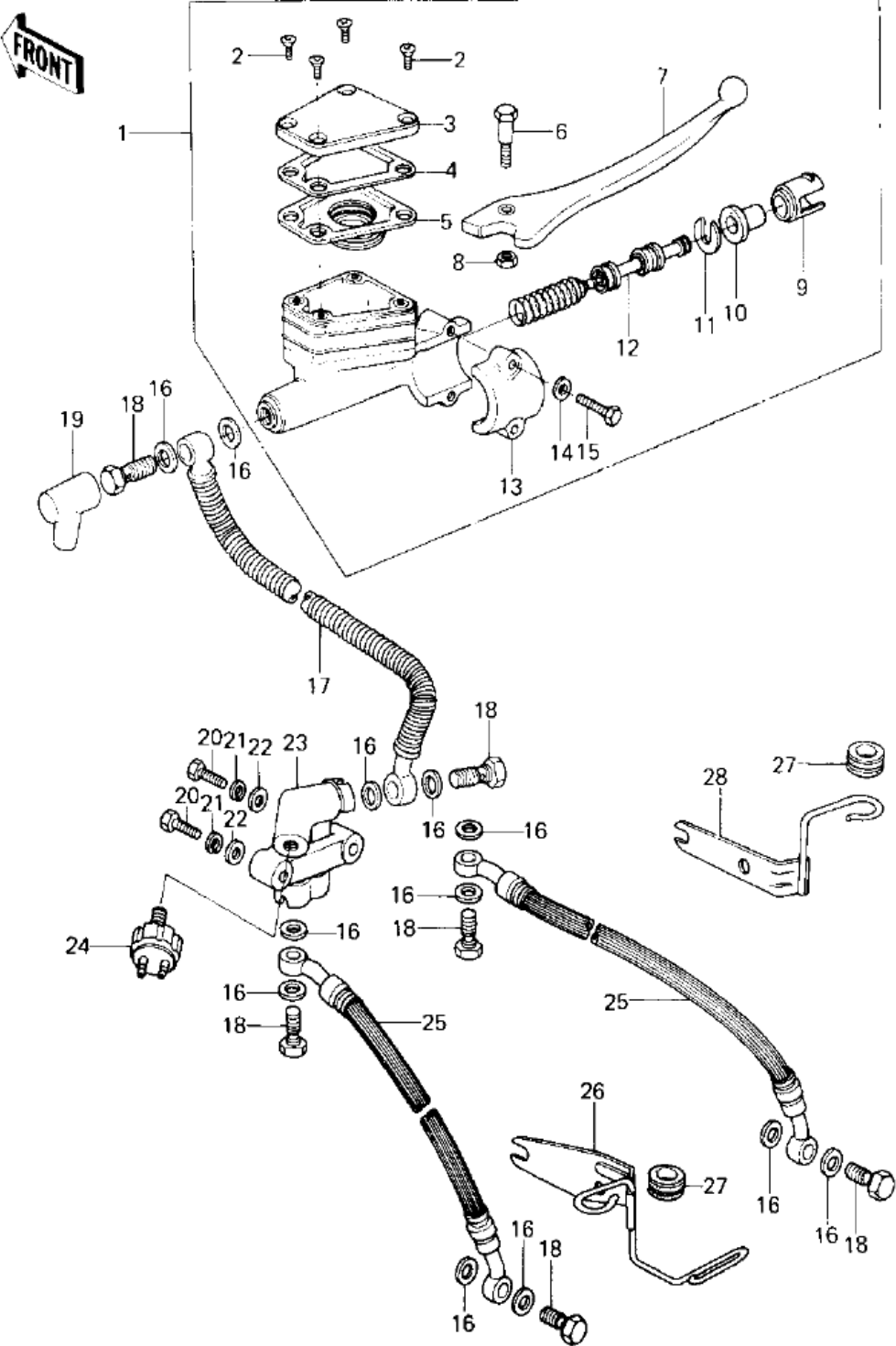
Ref #	Part #	Description	Qty	Spec #
1	43041-1010	CALIPER ASSY,L.H.FRO	1	KZ650-D1/D1A
1	43041,1024	UNAVAILABLE IN PRICE BOOK	1	KZ650-D2
2	43045-006	BOLT	4	
3	43085-001	BLEEDER SET	2	
4	315B1000	NUT 10MM	4	
5	461F0600	WASHER SPRING 6MM	2	
6	220B0612	SCREW PAN HEAD 6X12	2	
7	43049-001	RING-PISTON	2	USE FOR 43041-1010-1011
8	43048-1002	PISTON	2	USE FOR 43041-1010-1011
9	43054-003	DUST SEALD,RUBBER	2	
10	43050-5003	PAD SET	2	USE FOR 43041-1010/-1011
10	43062-1001	UNAVAILABLE IN PRICE BOOK	2	USE FOR 43041-1024/-1025
11	43052-005	DUST SHILD,SHAFT	8	
12	43053-006	"O" RING	8	
13	43088-002	PLUG	4	
14	43040-004	SPACER	2	
15	92007-032	BOLT	4	
16	461F1000	WASHER SPRING 10MM	4	
17	410B1000	WASHER PLAIN 10MM	4	
18	43041-1011	CALIPER ASSY,R.H,FRO	1	KZ650-D1/D1A
18	43041-1025	CALIPER ASSY,R.H	1	KZ650-D2
19	41080-1002	DISC COMPLETE,FRONT	2	KZ650-D1/D1A
20	41080-1019	DISC PLATE,FRONT	2	KZ650-D2
21	43049-002	RING,PISTON SEAL	2	USE FOR 43041-1024/-1025
22	43020-1012	PISTON,BRAKE,42M/M	2	USE FOR 43041-1024/-1025

Front Fork



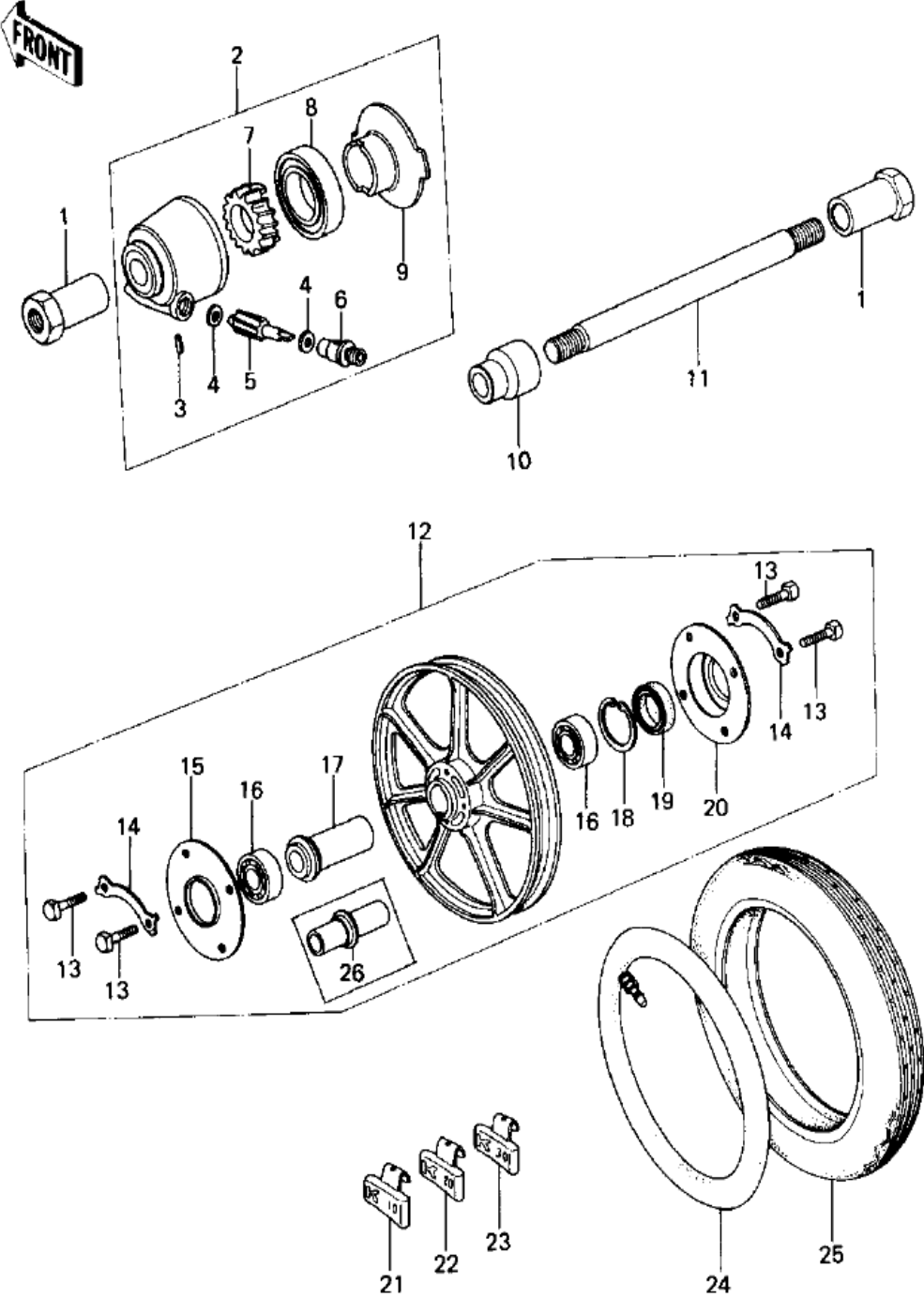
Ref #	Part #	Description	Qty	Spec #
1	44001-1200	FORK-FRONT	1	
2	11012-1017	CAP,RUBBER	2	
3	44029-1046	SEAT-FORK SPRING	2	
4	92055-1012	"O" RING,FORK TOP	2	
5	44041-045	BOLT-HEX HEAD.8M/M	2	
6	461F0800	WASHER SPRING 8MM	7	
7	44039-076	HEAD,STEERING STEM	1	
8	44041-042	BOLT-STEERING STEM HD	1	
9	92015-1124	NUT,LOCK,8MM	5	
10	92047-012	CONE,STEERING STEM	1	
11	92022-231	WASHER,PLAIN	1	
12	92056-003	OIL SEAL,STEERING STM	1	
13	44037-107	STEM,STEERING	1	
14	461F1200	WASHER SPRING 12MM	2	
15	92003-064	BOLT-HEX HEAD,12X36	2	
16	44026-1012	SPRING,FORK	2	
17	44013-1011	TUBE,FORK INNER	2	
18	44022-1009	CYLINDER-FORK	2	
19	44010-032	DUST SHEILD,FORK	2	
20	44044-012	CIRCLIP-OIL SEAL FIT	2	
21	44043-044	WASHER-OIL SEAL FIT	2	
22	92049-1216	SEAL-OIL,FORK OUTER P	2	
23	44005-1012	TUBE,LH,FORK OUTER	1	
24	44006-1012	TUBE,RH,FORK OUTER	1	
25	44045-002	GASKET FORK DRAIN PLG	2	
26	220B0408	SCREW PAN HEAD 4X8	2	
27	44063-014	HOLDER,FRONT AXLE	2	
28	44041-040	BOLT-FORK CYLINDER	2	
29	44045-057	GASKET,FORK CYLINDER	2	
30	92004-1009	STUD,8X35	4	

Front Master Cylinder



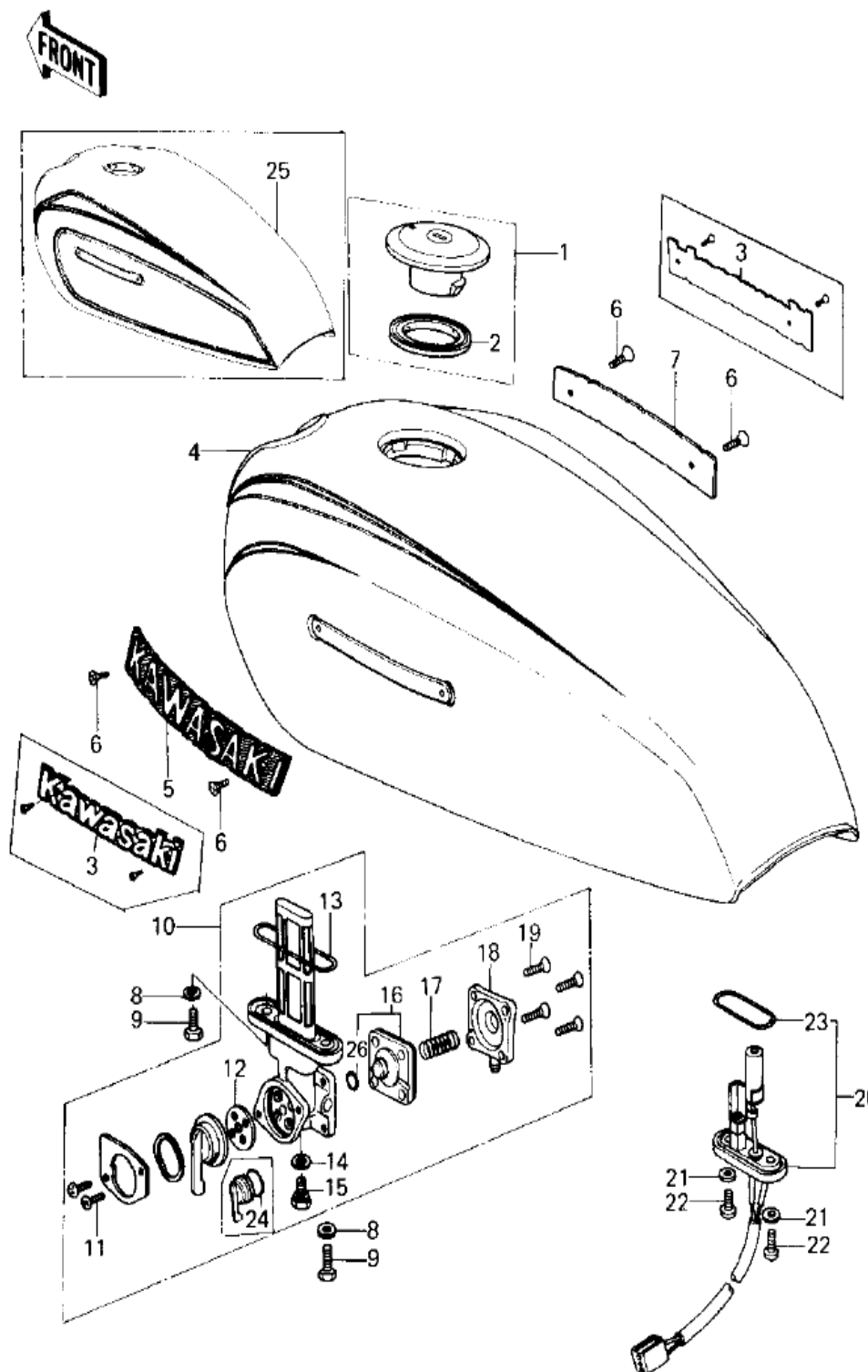
Ref #	Part #	Description	Qty	Spec #
1	43015-1009	CYLINDER ASSY,MSTR,FR	1	
2	92001-1055	SCREW,COUNTERSUNK HED	4	
3	43026-1003	CAP,OIL CUP	1	
4	43027-1002	PLATE,DIAPHRAGM	1	
5	43028-1002	DIAPHRAGM	1	
6	92001-1056	BOLT,CLUTCH LEV FITT	1	
7	46092-1002	LEVER,FRONT BRAKE	1	
8	312B0600	NUT 6MM	1	
9	14008-1007	LINER,PISTON	1	
10	49016-1010	DUST COVER	1	
11	43022-1001	STOPER,PISTON	1	
12	43020-1023	PISTON-COMP-BRAKE	1	
13	43034-1001	HOLDER,MASTER CYLINDR	1	
14	411B0600	WASHER PLAIN 6MM	2	
15	112G0625	BOLT-UPSET	2	
16	43067-001	WASHER-OIL BOLT	2	
17	43059-1011	HOSE M/C BRAKE,L=370	1	
18	92002-1888	BOLT,OIL,L=23	6	
19	49006-1041	BOOT,DUST	1	
20	110N0645	BOLT,HEX HEAD,6X45	2	
21	461F0600	WASHER SPRING 6MM	2	
22	411B0600	WASHER PLAIN 6MM	2	
23	43075-002	JOINT,FOUR WAY	1	
24	43065-001	SWITCH-FRONT BRAKE	1	
25	43059-033	HOSE,CALIPER BRAKE	2	
26	11034-1041	BRACKET	1	
27	43064-006	DAMPER RUBBER,CYL HSE	2	
82	43063-008	BRACKET,BRAKE HOSE	1	

Front Wheel



Ref #	Part #	Description	Qty	Spec #
1	41069-033	COLLAR,FRONT AXLE	2	
2	41078-008	GEAR BOX ASSY	1	
3	41062-001	BUSH SPEEDMETER CABLE	1	
4	41063-001	WASHER THRST SPD PINI	2	
5	41060-017	PINION,SPEEDOMETER	1	
6	41062-005	BUSH,SPEEDMETER CABLE	1	
7	41059-026	GEAR,SPEEDOMETER	1	
8	654A304206	UNAVAILABLE IN PRICE BOOK	1	
9	41064-013	RECEIVER,GEAR	1	
10	41069-032	COLLAR,FRONT AXLE	1	
11	41068-049	AXLE,FRONT	1	
12	41073-1067	SOLID WHEEL ASSY,FRNT	1	KZ650-D1/D1A
12	41073-1067	SOLID WHEEL ASSY,FRNT	1	KZ650-D2
13	92001-158	BOLT	8	
14	92088-023	WASHER,LOCK	4	
15	41042-014	DUST COVER	1	
16	601B6203ZZ	BRG,BALL,#6203ZC3	2	USE FOR 41073-1010
16	601B6203Z	BALL BEARING,#6203ZC3	2	USE FOR 41073-1038
17	92027-1043	COLLAR,FR HUB BEARING	1	USE FOR 41073-1010
18	92033-1040	RING, SNAP,43.5M/M	1	
19	654A254008	OIL SEAL	1	
20	41042-015	DUST COVER	1	
21	41075-1011	BALANCER-WHEEL,10G	AR	
22	41075-1012	BALANCER-WHEEL,20G	AR	
23	41075-1013	BALANCER-WHEEL,30G	AR	
24	41022-030	*** N.L.A.*** (Canada)	1	
25	41002-1019	TIRE 350H-19 F6 (F)	1	DUNLOP
26	41039-028	COLLAR,BRG	1	USE FOR 41073-1038

Fuel Tank



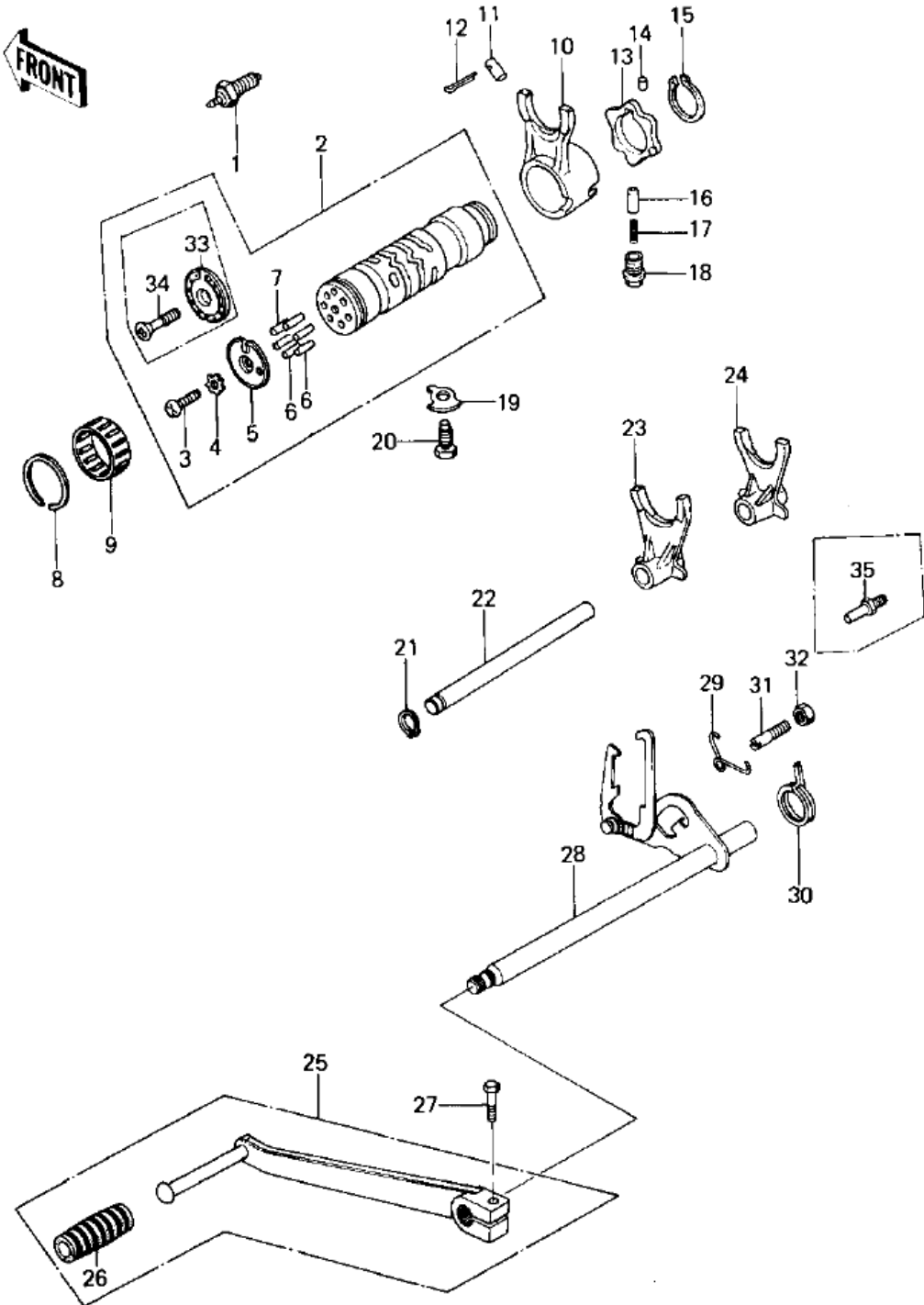
Ref. No.

- 1
- 2
- 3
- 4
- 5
- 6
- 7
- 8
- 9
- 10
- 11
- 12
- 13
- 14
- 15
- 16
- 17
- 18
- 19
- 20
- 21
- 22
- 23
- 24
- 25
- 26

100-853L K2

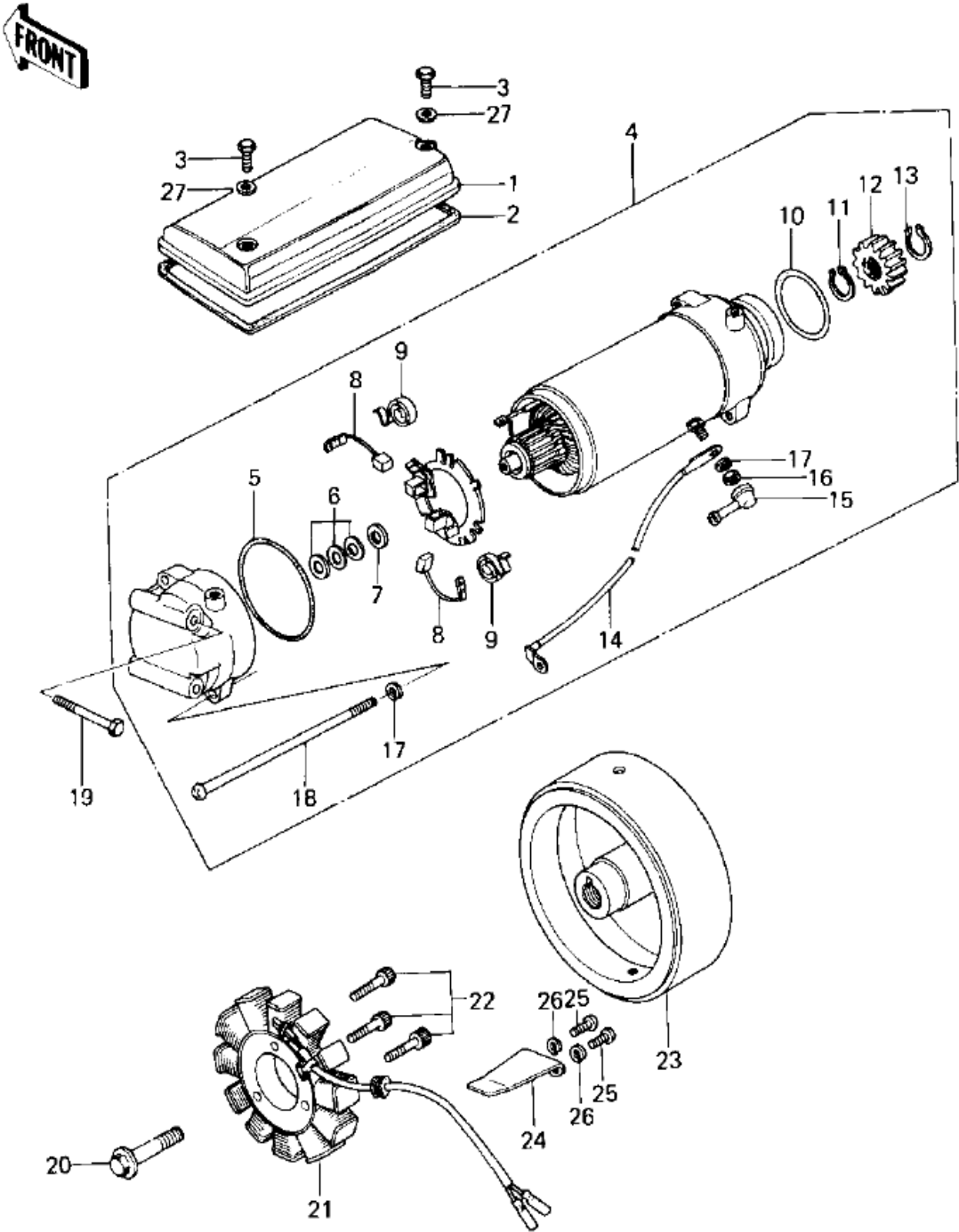
Ref #	Part #	Description	Qty	Spec #
1	51048-1001	CAP ASSY,TANK	1	
2	11009-1053	GASKET,TANKCAP	1	
3	56014-1038	EMBLEM,FUEL TANK	2	KZ650-D2
4	51001-1006-A5	TANK-FUEL,C.P.RED	1	KZ650-D1/D1A
5	56014-1009	EMBLEM,FUEL TANK,L.H.	1	KZ650-D1/D1A
6	221C0306	SCREW-CSK-CROS	4	
7	56014-1010	EMBLEM,FUEL TANK,R.H.	1	KZ650-D1/D1A
8	92022-183	WASHER-PLAIN	1	
9	92001-1091	BOLT,6X20,FUEL TAP	2	
10	51023-1023	TAP ASSY,FUEL	1	
11	220B0308	SCREW PAN HEAD 3X8	2	
12	11009-1194	GASKET,TAP VALVE	1	
13	51039-010	"O" RING	1	
14	11009-1045	GASKET,DRAIN BOLT	1	
15	92001-1089	BOLT,DRAIN	1	
16	43028-1004	DIAPHRAGM ASSY,TAP	1	NO LONGER AVAILABLE
16	43028-1015	DIAPHRAGM ASSY,TAP	1	USE FOR 51023-1023
17	92081-1055	SPRING,TAP	1	
17	92081-1171	SPRING,TAP	1	USE FOR 51023-1023
18	16146-1005	COVER ASSY,TAP	1	
19	221B0412A	SCREW CNTSNK HD 4X12	4	
20	27010-1096	SWITCH,FUEL LEVEL	1	
21	92022-1023	WASHER,5.2X10X1.5	2	
22	220B0514	SCREW-PAN-CROS	2	
23	43058-1004	"O" RING,FUEL SWITCH	1	
24	92055-1027	"O" RING,TAP LEVER	1	USE FOR 51023-1013/1023
25	51001-1006-8E	TANK-FUEL,M.BLUE	1	KZ650-D2
25	51001-5029-A5	TANK-FUEL,C.P.RED	1	KZ650-D2
26	670B1504	"O" RING,4MM	1	USE FOR 51023-1023

GEAR CHANGE MECHANISM



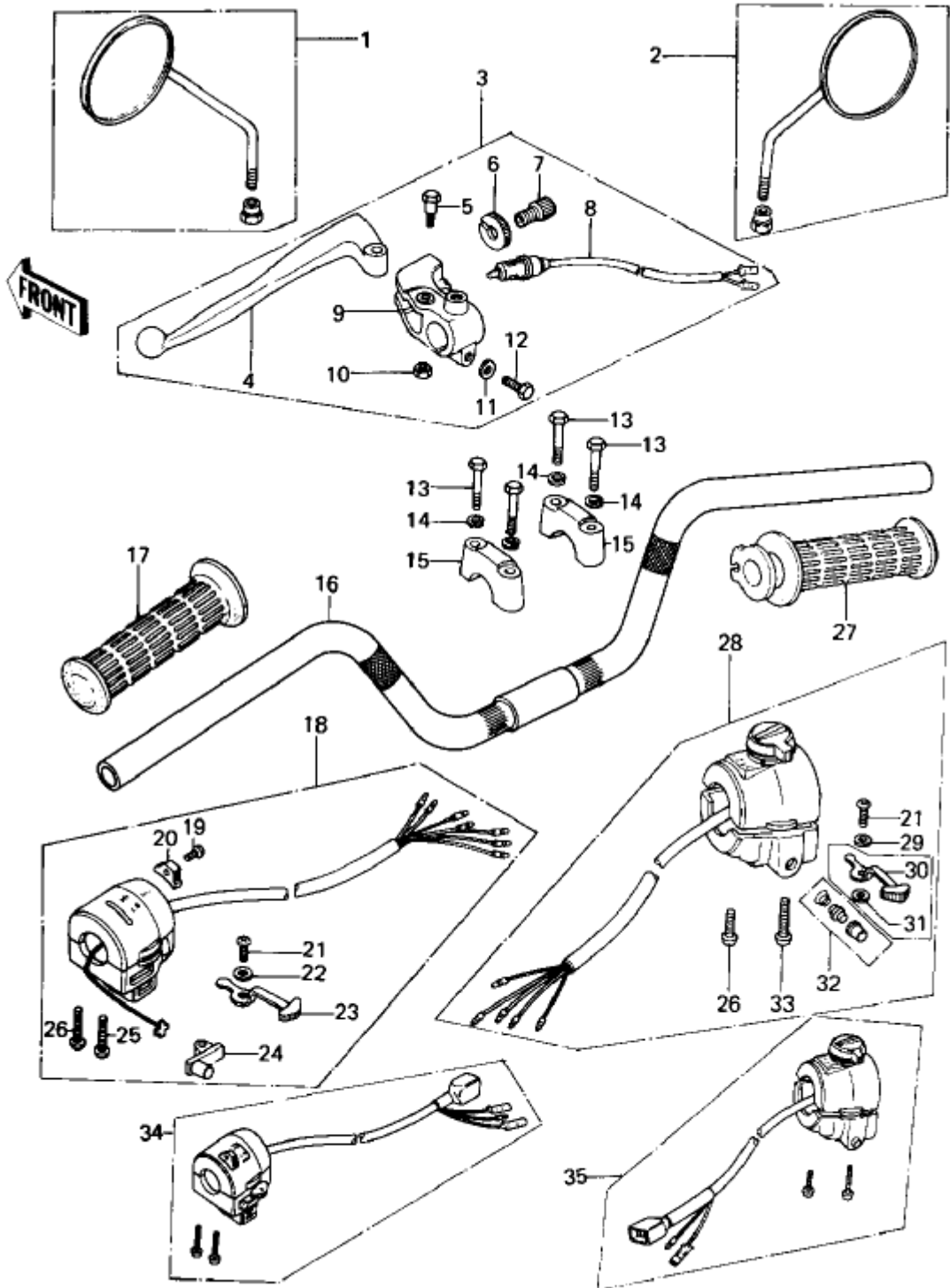
Ref #	Part #	Description	Qty	Spec #
1	13151-5002	SWITCH,NEUTRAL	1	
2	13239-1069	DRUM-ASSY-CHANGE	1	E/NO. 000101-004178
2	13239-1069	DRUM-ASSY-CHANGE	1	E/NO. 004179-
3	220B0614	SCREW PAN HEAD 6X14	1	USE FOR 13239-1006
4	464G0600	WASHER LOCK 6MM	1	USE FOR 13239-1006
5	13142-020	PLATE,SHIFT DRUM PIN	1	USE FOR 13239-1006
6	92042-030	PIN,GEAR CHNGE DRUM	5	
7	92042-014	PIN GEAR CHANGE DRUM	1	
8	92033-035	CIRCLIP,37MM	1	
9	92046-051	BRG,NEDL,37BTM4312	1	
10	13140-1009	SHIFT FORK,4TH & TOP	1	
11	92042-021	DOWEL PIN,8X18	1	
12	550D3020	PIN COTTER 3.0X20	1	
13	13145-1058	CAM-CHANGE DRUM	1	
14	610A0406	PIN-DOWEL,4X6	1	
15	480J3000	CIRCLIP,30MM	1	
16	92043-076	PIN-NEUTRAL POSITION	1	
17	92081-112	SPRING	1	
18	92001-131	BOLT,10MM	1	
19	92024-074	WASHER,LOCK,10MM	1	
20	92001-174	BOLT,HEX HEAD,10X26	1	
21	480J1200	CIRCLIP 12MM	1	
22	49047-5003	ROD-SHIFT	1	
23	13140-1008	SHIFT FORK,LOW,2&3RD	1	
24	13140-1008	SHIFT FORK,LOW,2&3RD	1	
25	13242-022	PEDAL ASSY,GEAR SHIFT	1	
26	92160-1036	DAMPER,CHANGE PEDAL	1	
27	112G0620	BOLT-UPSET,6X20	1	
28	13161-042	LEVER ASSY,GEAR SFT	1	
29	92083-018	SPRING,KICK PAWL	1	
30	92083-028	SPRING,CHG PEDL RTRN	1	
31	92043-057	PIN CHANGE PEDAL SPRG	1	KZ650-D1/D1A
32	312B0800	NUT 8MM	1	KZ650-D1/D1A
33	13091-1104	HOLDER,CHANGE DRUM PI	1	USE FOR 13239-1019
34	221B0620	SCREW CNTSNK HD 6X20	1	USE FOR 13239-1019
35	92001-1401	BOLT,RETURN SPRING	1	KZ650-D2

GENERATOR/STARTER MOTOR



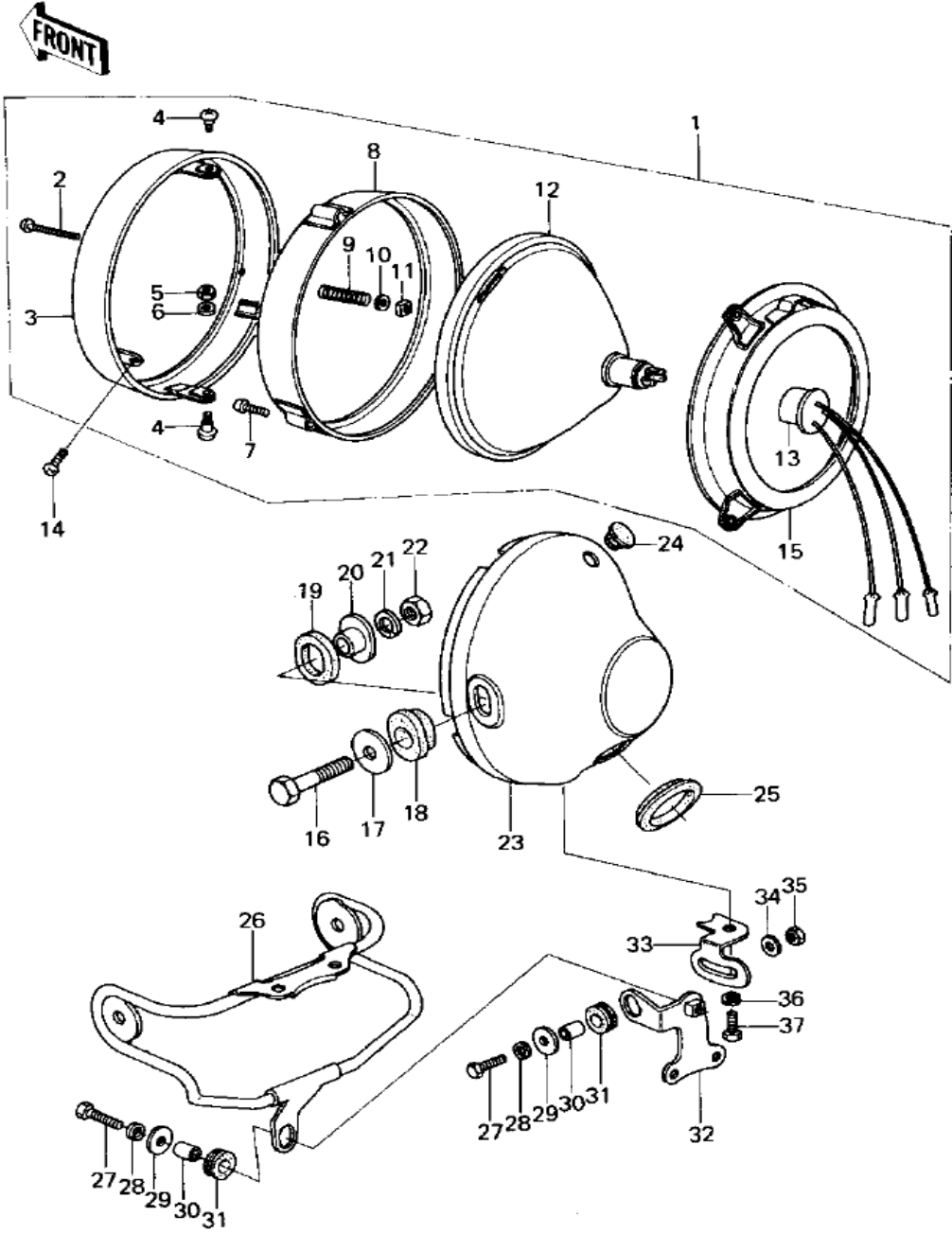
Ref #	Part #	Description	Qty	Spec #
1	21165-003	COVER,STARTER	1	
2	21166-003	GASKET,STARTER COVER	1	
3	110R0610	BOLT (6X10)	2	
4	21163-1022	STARTER-ELECTRIC	1	
5	21027-006	"0" RING,62MM	1	
6	21025-011	WASHER,THRUST,0.2T	AR	
7	21025-010	WASHER,THRUST,1.6T	1	
8	21039-003	CARBON BRUSH	2	
9	21040-003	SPRING,CARBON BRUSH	2	
10	21027-008	"0" RING,40M/M	1	
11	92033-034	CIRCLIP	1	
12	21053-004	PINION,STARTER	1	
13	92033-037	CIRCLIP,13M/M	1	
14	26011-1099	WIRE-LEAD,STARTER	1	
15	21017-020	CAP,STARTING MOTOR	1	
16	312B0600	NUT 6MM	2	
17	461F0600	WASHER SPRING 6MM	4	
18	21099-006	SCREW,PAN HEAD,6X130	2	
19	112G0660	BOLT-UPSET	2	
20	92001-1201	BOLT,10X40	1	
21	21003-1005	STATOR	1	
22	120P0530	BOLT-SOCKET,5X30	3	
23	21050-1003	FLYWHEEL	1	
24	92037-1122	CLAMP,GENERATOR WIRE	1	
25	220B0512	SCREW PAN HEAD 5X12	2	
26	461F0500	WASHER SPRING 5MM	2	
27	410D0600	WASHER,PLAIN,6MM	2	

Handlebar



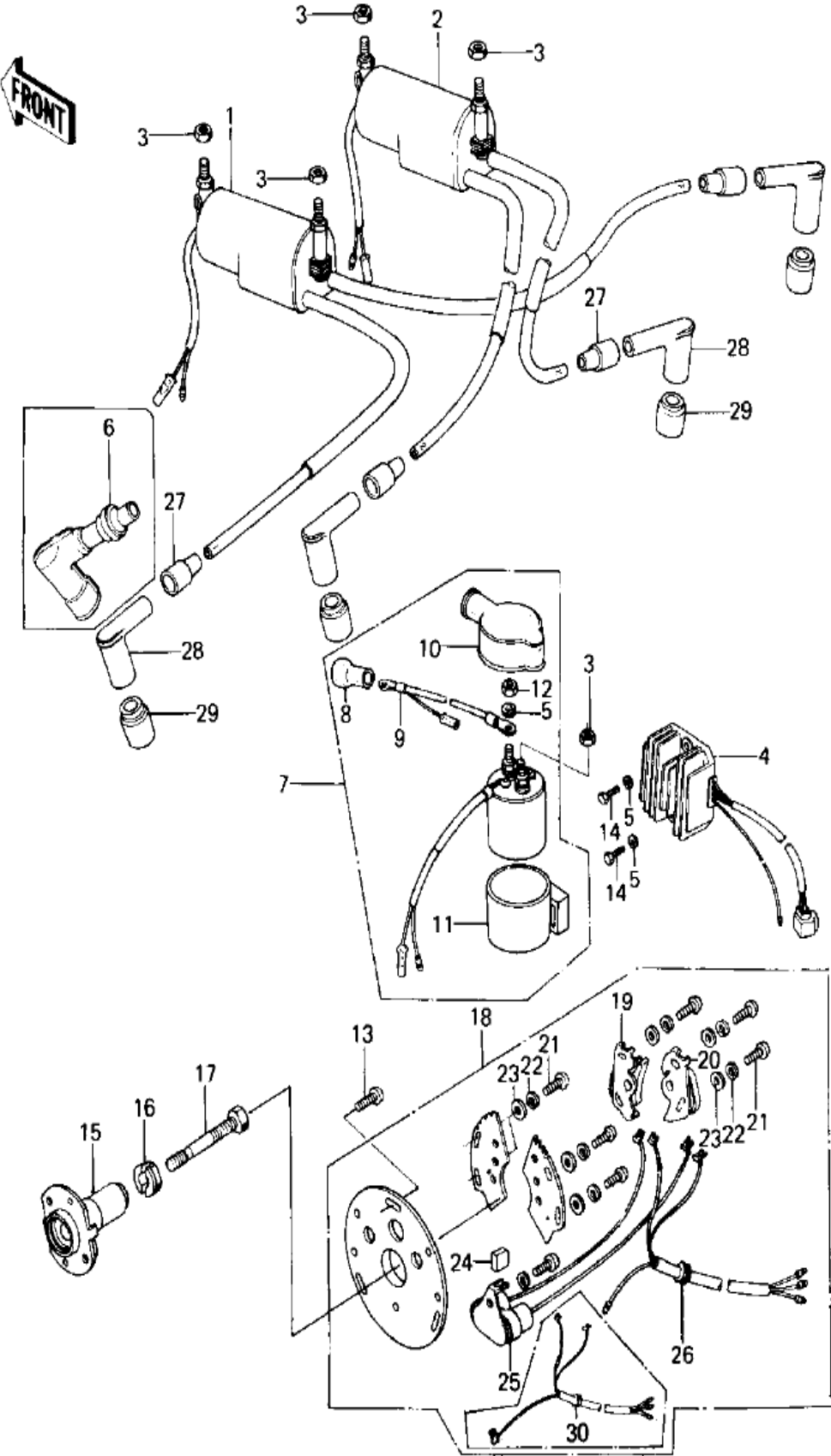
Ref #	Part #	Description	Qty	Spec #
1	56001-1027	REAR VIEW MIRROR,L.H.	1	
2	56001-1028	REAR VIEW MIRROR,R.H.	1	
3	46076-054	LEVER ASSY,CLUTCH	1	
4	46092-023	LEVER,CLUTCH	1	
5	92007-047	BOLT,HEX HEAD	1	
6	46056-007	NUT,CABLE ADJUST NUT	1	
7	46055-003	SCREW CABLE ADJUST	1	
8	27043-002	SWITCH,CLUTCH	1	
9	46094-019	HOLDER,CLUTCH LEVER	1	
10	92017-014	NUT,LOCK 6MM	1	
11	410B0600	WASHER PLAIN 6MM	1	
12	110N0625	BOLT HEX HEAD 6X25	1	
13	92001-1405	BOLT 8X38	4	
14	461F0800	WASHER SPRING 8MM	4	
15	46012-008	HOLDER-HANDLEBAR	2	
16	46003-1018	HANDLEBAR	1	KZ650-D1/D1A
16	46003-1029	HANDLEBAR	1	KZ650-D2
17	46075-028	RUBBER,L.H GRIP	1	
18	46091-055	CASE ASSY,L.H	1	KZ650-D1/D1A
19	221B0308A	SCREW CNTSNK HD 3X8	1	
20	46044-013	KNOB,LIGHTING SW L.H	1	
21	220B0305A	SCREW PAN HEAD 3X5	2	
22	92095-010	WASHER	1	
23	46043-005	KNOB,LIGHTING SW L.H	1	
24	46028-007	BUTTON,HORN SWITCH	1	
25	220B0535	SCREW-PAN-CROS	1	
26	220B0530	SCREW PAN HEAD 5X30	2	
27	46019-038	GRIP ASSY,THROTTLE	1	
28	46091-1031	HOUSING ASSY,R.H. CON	1	KZ650-D1
28	46091-1038	HOUSING ASSY,R.H.	1	KZ650-D1A
28	46091-1038	HOUSING ASSY,R.H.	1	KZ650-D1
29	410B0300	WASHER PLAIN 3MM	1	
30	46043-004	KNOB,LIGHTING SW R.H	1	USE FOR 46091-1031
31	92095-014	WASHER,PLAIN	1	USE FOR 46091-1031
32	27010-1009	SWITCH ASSY,HORN BUTN	1	
33	220B0540	SCREW-PAN-CROS	1	
34	46091-1048	HOUSING ASSY,CONT,L.H	1	KZ650-D2
35	46091-1047	HOUSING ASSY,CONT,R.H	1	KZ650-D2

Headlight



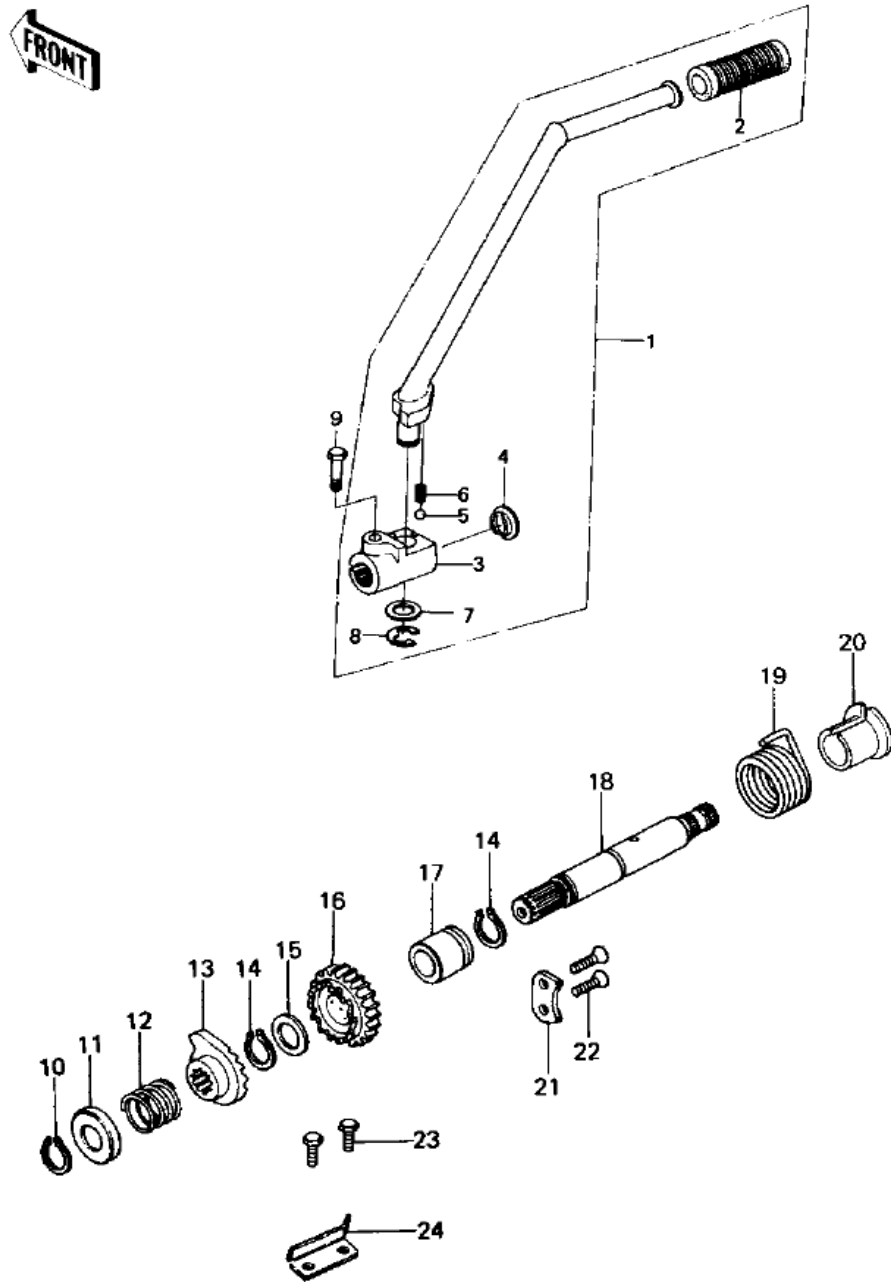
Ref #	Part #	Description	Qty	Spec #
1	23003-017	LAMP UNIT,HEAD	1	
2	23019-021	SCREW FORCUS ADJUST	1	
3	23006-038	RIM,HEAD LAMP	1	
4	23019-023	SCREW-PAN HEAD,5X12	2	
5	23020-023	NUT,HEAD LAMP RIM FIT	2	
6	23021-012	WASHER-PLAIN,5MM	2	
7	220B0312	SCREW PAN HEAD 3X12	2	
8	23072-001	RING,HEAD LAMP MOUNT	1	
9	23014-005	SPRING FOCUS ADJUST	1	
10	23021-004	WASHER	1	
11	23020-018	NUT,4MM	1	
12	23007-041	SEALD BEAM UNIT	1	
13	23008-037	SOCKET ASSY,HEAD LAMP	1	
14	23019-022	SCREW,PAN HEAD,5X14	2	
15	23074-001	RING,HEAD LAMP MOUNT	1	
16	92007-024	BOLT,10MM	2	
17	92022-1054	WASHER,HEAD LAMP	2	CR-PLATED
18	23066-022	DAMPER RUBBER	2	
19	23066-021	DAMPER RUBBER	2	
20	23052-011	COLLAR,HEAD LIGHT	2	
21	461F1000	WASHER SPRING 10MM	2	
22	315B1000	NUT 10MM	2	
23	23005-1016	BODY-COMP-HEAD LAMP	1	CR-PLATED
24	92074-006	PLUG REAR FENDER RUBB	1	
25	92071-1008	GROMMET	1	
26	11034-1110	BRACKET,METER	1	
27	112G0625	BOLT-UPSET	2	
28	461F0600	WASHER SPRING 6MM	2	
29	92022-237	WASHER 6.5X22X1.6T	2	
30	92027-241	COLLAR	2	
31	92075-209	DAMPER RUBBER,RR FENR	2	
32	11034-1366	BRACKET,METER	1	
33	11034-1119	BRACKET,METER	1	
34	411B0600	WASHER PLAIN 6MM	1	
35	311B0600	NUT 6MM	1	
36	461F0800	WASHER SPRING 8MM	1	
37	115G0816	BOLT-SMALL-UPSET,8X16	1	

IGNITION/REGULATOR



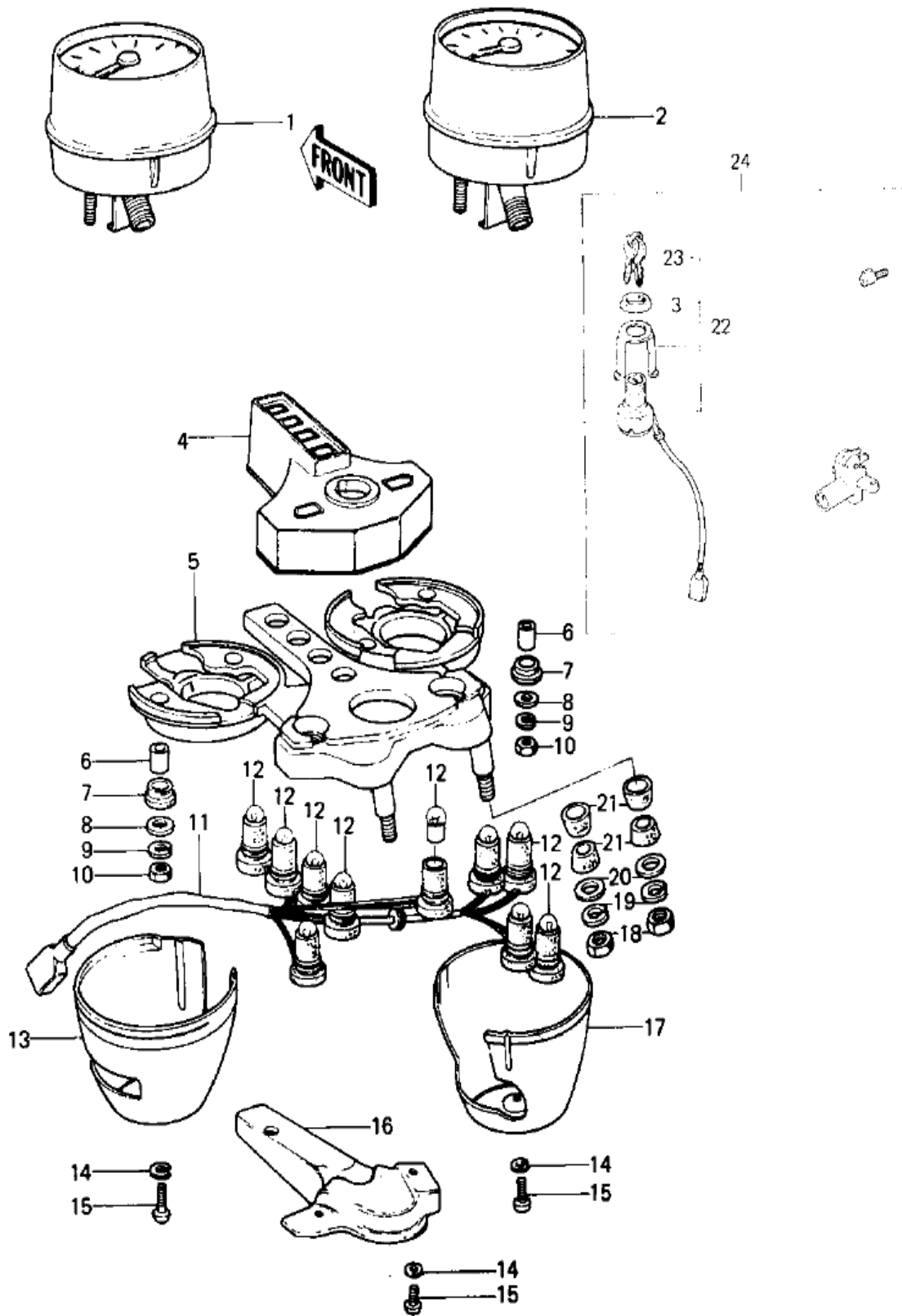
Ref #	Part #	Description	Qty	Spec #
1	21121-1001	COIL,IGNITION,#1.4	1	
2	21121-1002	COIL,IGNITION,#2.3	1	
3	92017-014	NUT,LOCK 6MM	5	
4	21066-029	REGULATOR	1	
5	461F0600	WASHER SPRING 6MM	3	
6	21160-005	CAP,SPARK PLUG	4	USE FOR CANADIAN MARKET
7	27010-1050	SWITCH,MAGNETIC	1	
8	21017-023	CAP,MAGNETIC SWITCH	1	
9	26011-1128	WIRE-LEAD,MAGNETIC SW	1	
10	21141-004	COVER MAGNETIC SWITCH	1	
11	21064-002	DAMPER MAG SWITCH SHK	1	
12	312B0600	NUT 6MM	1	
13	220B0512	SCREW PAN HEAD 5X12	3	
14	112G0616	BOLT-UPSET,6X16	2	
15	21148-011	ADVANCER,AUTMATC TMNG	1	
16	92022-244	WASHER,SPARK ADVANCER	1	
17	92001-1397	BOLT-8X63	1	
18	21008-1012	BREAKER ASSY,CONTACT	1	KZ650-D1/D1A
18	21008-1012	BREAKER ASSY,CONTACT	1	KZ650-D2
19	21008-028	BREAKER,CONTACT	1	
20	21008-027	BREAKER,CONTACT	1	
21	220B0408	SCREW PAN HEAD 4X8	9	
22	461F0400	WASHER SPRING 4MM	9	
23	410B0400	WASHER PLAIN 4MM	9	
24	21019-005	FELT OIL	1	
25	21013-037	CONDENSER	1	
26	26001-1081	WIRING HARNESS,BREAKR	1	USE FOR 21135-012
27	21132-005	GROMMET,SPARK PLG CAP	4	
28	21130-1007	CAP-SPARK PLUG,RTFM20	4	
29	21131-004	GROMMET-PLUG CAP,A	4	
30	26001-1081	WIRING HARNESS,BREAKR	1	USE FOR 21008-1007

KICKSTARTER MECHANISM



Ref #	Part #	Description	Qty	Spec #
1	13064-1005	PEDAL ASSY,KICK	1	
2	13063-004	RUBBER KICK PEDAL	1	
3	13061-1008	BOSS,KICK	1	
4	92066-058	PLUG,A,KICKSTARTER	1	
5	600A0800	BALL STEEL 1/4'	1	
6	92081-154	SPRING	1	
7	92022-1019	WASHER,PLAIN	1	
8	482J0100	CIRCLIP 10MM	1	
9	110N0632	BOLT-HEX HEAD,6X32	1	
10	480J1900	CIRCLIP,19MM	1	
11	92102-008	CAP,KICKSTARTER	1	
12	92061-104	UNAVAILABLE IN PRICE BOOK	1	
13	13078-011	RATCHET,KICK SHAFT	1	
14	480J2000	CIRCLIP, 20MM	2	
15	92022-112	WASHER THRUST	1	
16	13068-035	GEAR,KICKSTARTER,20T	1	20 T
17	92028-175	BUSHING,KICK SHAFT	1	
18	13066-045	SHAFT,KICKSTARTER	1	
19	92082-006	SPRING,KICK RETURN	1	
20	13070-009	GUIDE,KICK SPRING	1	
21	13169-007	PLATE-DRUM LEV POSTON	1	
22	221B0612	SCREW CNTSNK HD 6X12	2	
23	112G0614	BOLT-UPSET	2	
24	13072-018	STOPPER,KICKSTARTER	1	

METERS/IGNITION SWITCH



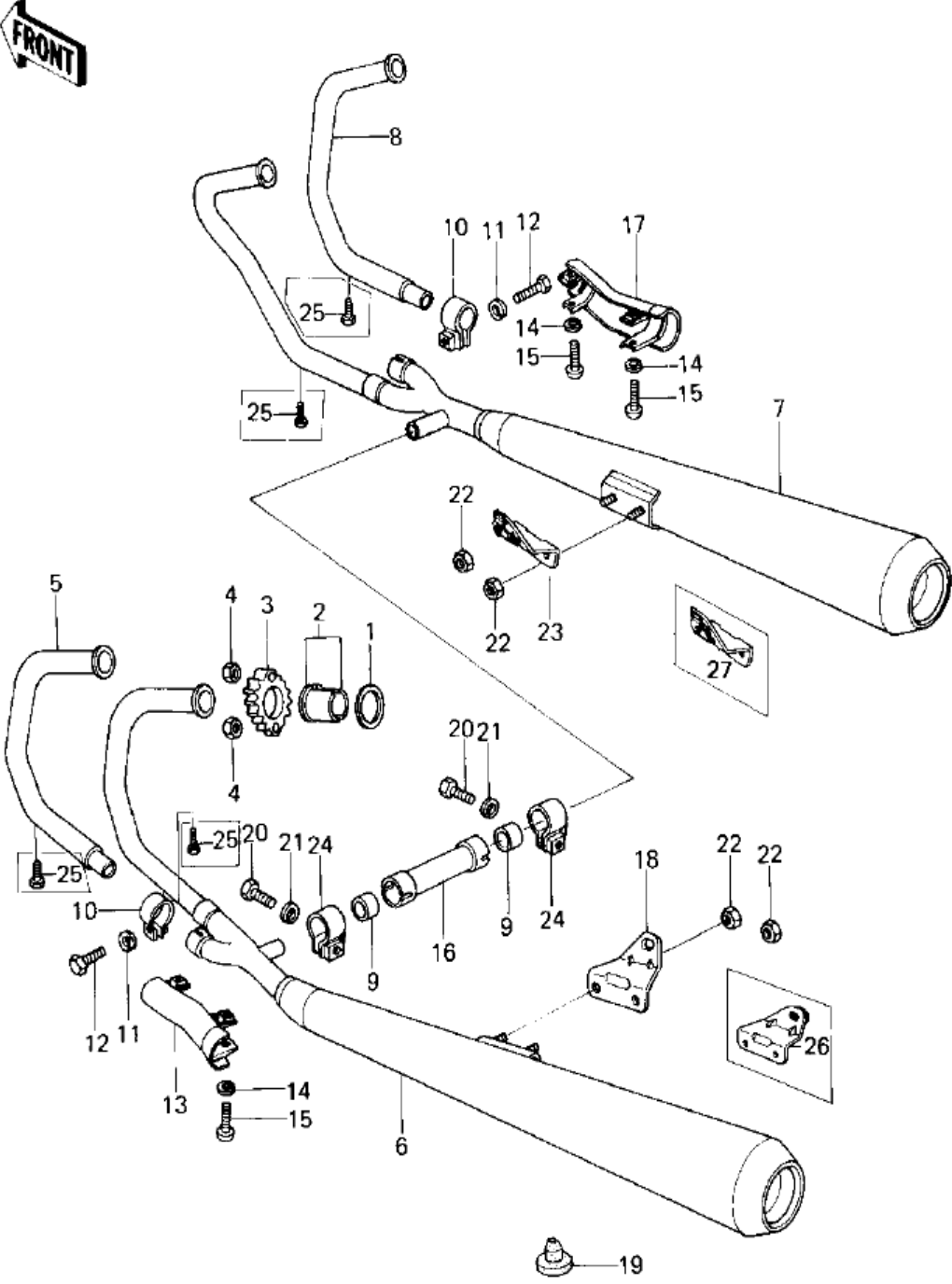
Ref. N

- 1
- 2
- 3
- 4
- 5
- 6
- 7
- 8
- 9
- 10
- 11
- 12
- 13
- 14
- 15
- 16
- 17
- 18
- 19
- 20
- 21
- 22
- 23
- 24

100-659

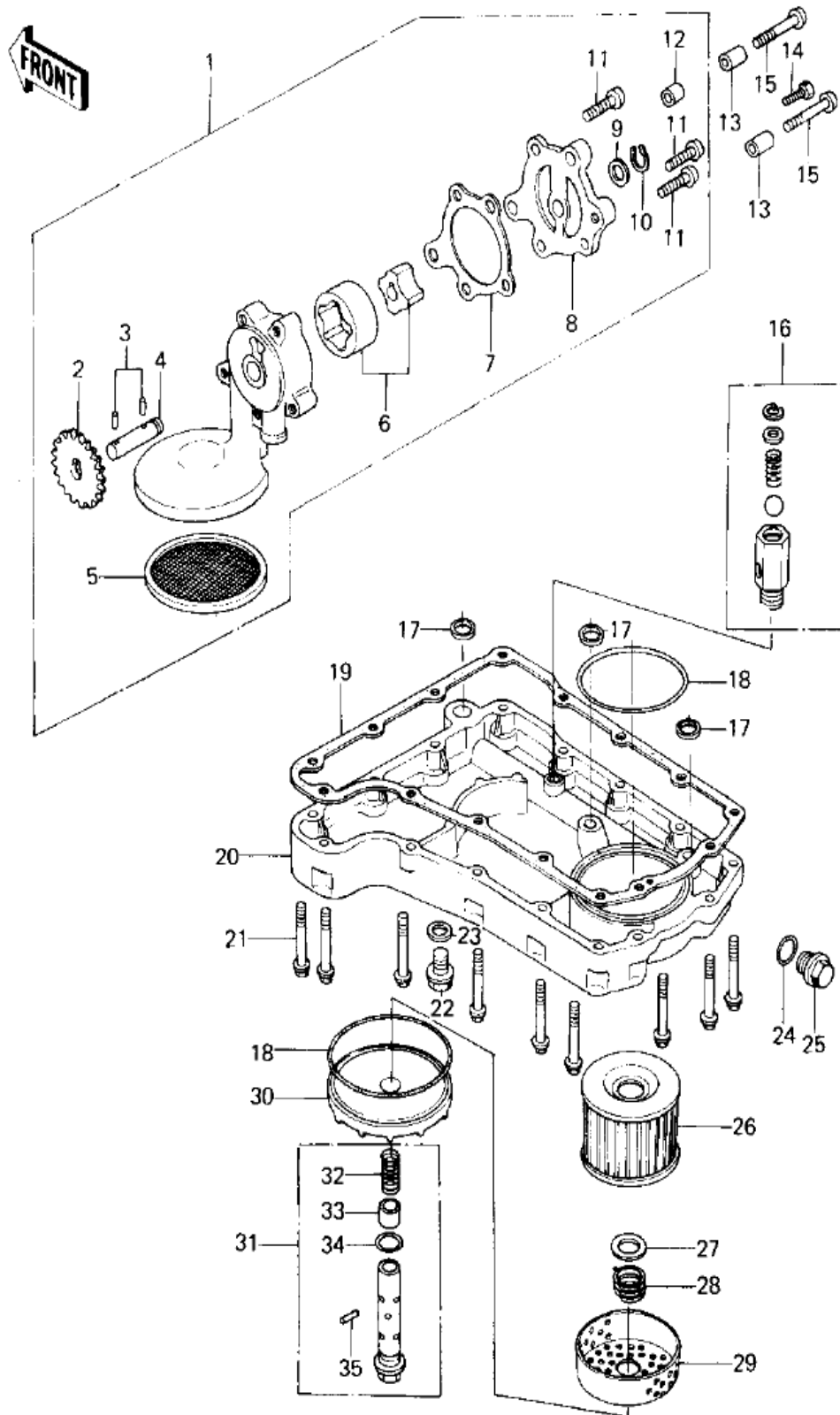
Ref #	Part #	Description	Qty	Spec #
1	25005-1013	SPEEDOMETER ASSY,KPH (Canada)	1	CANADA
1	25005-1037	SPEEDOMETER,MPH	1	KZ650-D1/D2
1	25005-1037	SPEEDOMETER,MPH	1	KZ650-D2
2	25015-1013	TACHOMETER	1	
3	27007-004	NUT,IGNITION SW LOCK	1	
4	25023-015	COVER,METER,INDICATER	1	
5	25008-1005	BRACKET,METER	1	
6	92027-211	COLLAR,METER	4	
7	92075-172	RUBBER,METER	4	
8	92022-241	WASHER,PLAIN,5MM	4	
9	461F0500	WASHER SPRING 5MM	4	
10	312B0500	NUT 5MM	4	
11	23008-1014	SOCKET,METER	1	
12	92069-018	BULB 12V 3W	11	
13	25012-023	COVER,SPEEDOMETER	1	
14	461F0300	WASHER SPRING 3MM	5	
15	220B0308	SCREW PAN HEAD 3X8	5	
16	25024-006	COVER,METER BRACKET	1	
17	25012-024	COVER,TACHOMETER	1	
18	311B0800	NUT,8MM	2	
19	461F0800	WASHER SPRING 8MM	2	
20	410B0300	WASHER PLAIN 3MM	3	
21	92075-080	DAMPER RUBBER	4	
22	27005-5001	SWITCH ASSY,IGNITION	1	KZ650-D1/D1A
22	27005-5007	SWITCH ASSY,IGNITION	1	KZ650-D2
23	27008-068-01	KEY SET,#801	AR	
23	27008-068-45	KEY SET,#845	AR	KZ650-D1/D1A
23	27008-1014	KEY,BLANK	AR	KZ650-D1/D1A
23	27008-1103	KEY-LOCK,BLANK	AR	KZ650-D2
24	27004-5020	LOCK SET,KZ650B3	AR	KZ650-D2

Mufflers



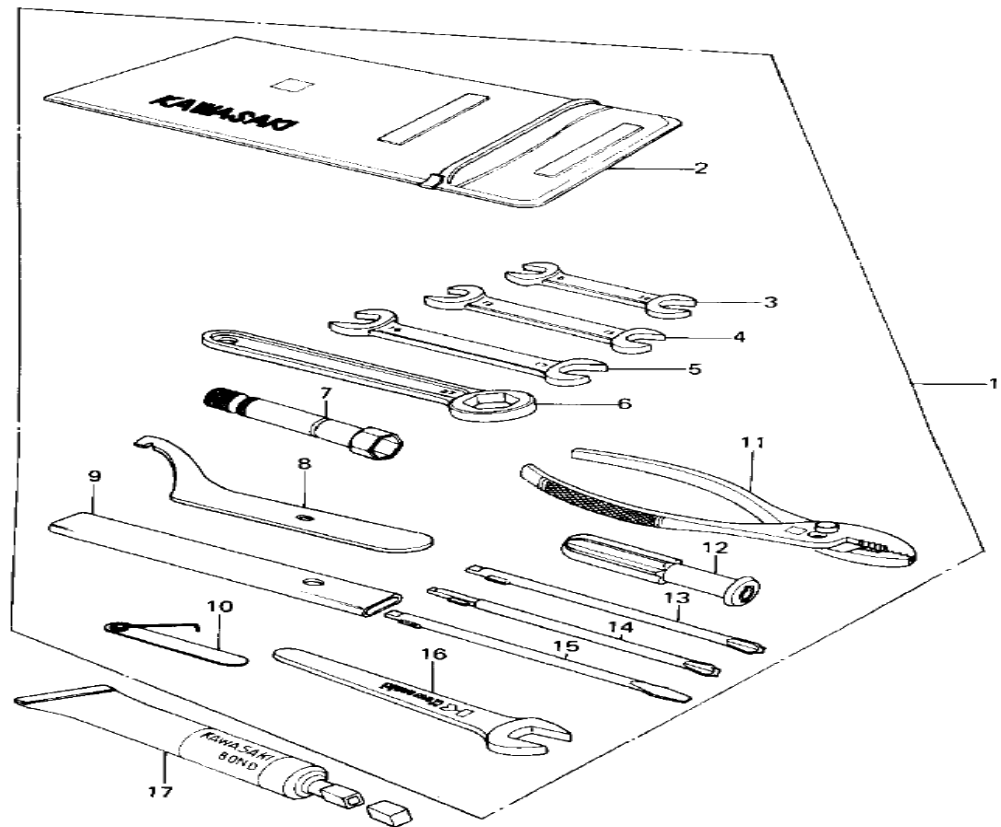
Ref #	Part #	Description	Qty	Spec #
1	11009-1866	GASKET,EXHAUST PIPE H	4	
2	92027-264	COLLAR,EXHAUST PIPE	8	
3	18069-1006	HOLDER,EXHAUST PIPE	4	
4	92017-014	NUT,LOCK 6MM	8	
5	18049-1051	PIPE,EXHAUST,#2	1	
5	18049-1051	PIPE,EXHAUST,#2	1	KZ650-D1
5	18049-1036	PIPE,EXHAUST,#2	1	KZ650-D1A~
6	18001-1024	MUFFLER,L.H.	1	
6	18001-1024	MUFFLER,L.H.	1	KZ650-D1
6	18001-1035	MUFFLER ASSY,L.H	1	KZ650-D1A~
7	18001-1025	MUFFLER,R.H.	1	
7	18001-1025	MUFFLER,R.H.	1	KZ650-D1
7	18001-1025	MUFFLER,R.H.	1	KZ650-D1A~
8	18049-1024	PIPE EXHAUST,#4	1	
8	18049-1024	PIPE EXHAUST,#4	1	KZ650-D1
8	18049-1038	PIPE,EXHAUST,#4	1	KZ650-D1A~
9	11060-1051	GASKET,MUFFLER CONNEC	2	
10	92037-1224	CLAMP,EXHAUST PIPE	2	
11	461F0800	WASHER SPRING 8MM	2	
12	115G0830	BOLT-SMALL-UPSET,8X30	2	
13	14025-1029	COVER,MUFFLER,L.H.	1	
14	461F0600	WASHER SPRING 6MM	4	
15	220B0640	SCREW PAN HEAD 6X40	4	
16	32032-1671	PIPE,MUFFLER CONNECT1	1	
17	14025-1030	COVER,MUFFLER,R.H.	1	
18	32069-1041	BRACKET,MUFFLER,L.H.	1	KZ650-D1/D1A
19	92075-1002	DAMPER RUBBER,MAIN ST	1	
20	115G0830	BOLT-SMALL-UPSET,8X30	2	
21	461F0800	WASHER SPRING 8MM	2	
22	92017-013	NUT,LOCK,8MM	4	
23	32069-1042	BRACKET,MUFFLER,R.H.	1	KZ650-D1/D1A
24	92037-1223	CLAMP,PIPE,35MM	2	
25	110R0610	BOLT (6X10)	4	KZ650-D1A~
26	32069-1041	BRACKET,MUFFLER,L.H.	1	KZ650-D2
27	32069-1042	BRACKET,MUFFLER,R.H.	1	KZ650-D2

OIL PUMP/OIL FILTER/OIL PAN



Ref #	Part #	Description	Qty	Spec #
1	16082-064	OIL PUMP ASSY	1	
2	16085-025	GEAR,OIL PUMP,57T	1	57 T
3	92042-041	PIN,DOWEL	2	
4	16086-004	SHAFT,OIL PUMP	1	
5	16111-004	STRAINER,OIL PUMP	1	
6	16154-003	ROTOR ASSY,OIL PUMP	1	
7	16145-004	GASKET,OIL PUMP COVER	1	
8	16142-005	COVER,OIL PUMP	1	
9	92022-311	WASHER,PLAIN	1	
10	480J1100	CIRCLIP,11MM	1	
11	220B0622	SCREW PAN HEAD 6X22	3	
12	92043-1302	PIN,DOWEL,8X10	1	
13	92042-050	PIN,DOWEL,6.2X8X28	2	
14	92001-165	BOLT,HEX HEAD,6X45	1	
15	221B0650	SCREW,CONTRUNK HEAD	2	
16	16130-1001	RELEAF VALVE ASSY	1	
17	92055-077	"O" RING	3	O D = 19.5
18	671B2590	"O" RING,90MM	2	
19	11009-1983	GASKET,OIL PAN	1	
20	49034-5011	PAN-OIL	1	
21	130G0625	BOLT,FLANGED,6X25	15	
22	92066-1174	PLUG,OIL DRAIN,12X15	1	
23	92065-097	GASKET,DRIN PLUG	1	
24	92055-1146	RING-O	1	
25	92066-066	PLUG	1	
26	16099-003	FILTER,OIL	1	
27	92022-1012	WASHER,20.5X30X1.0	1	
28	92081-1018	SPRING,OIL FILTER	1	
29	13169-1110	PLATE,OIL FILTER	1	
30	16101-004	COVER,OIL FILTER	1	
31	16126-1108	VALVE,OIL FILTER	1	
32	92081-133	SPRING,PISTON	1	
33	92136-001	PISTON	1	
34	670B2016	"O" RING,16MM	1	
35	92043-111	SPRING PIN	1	

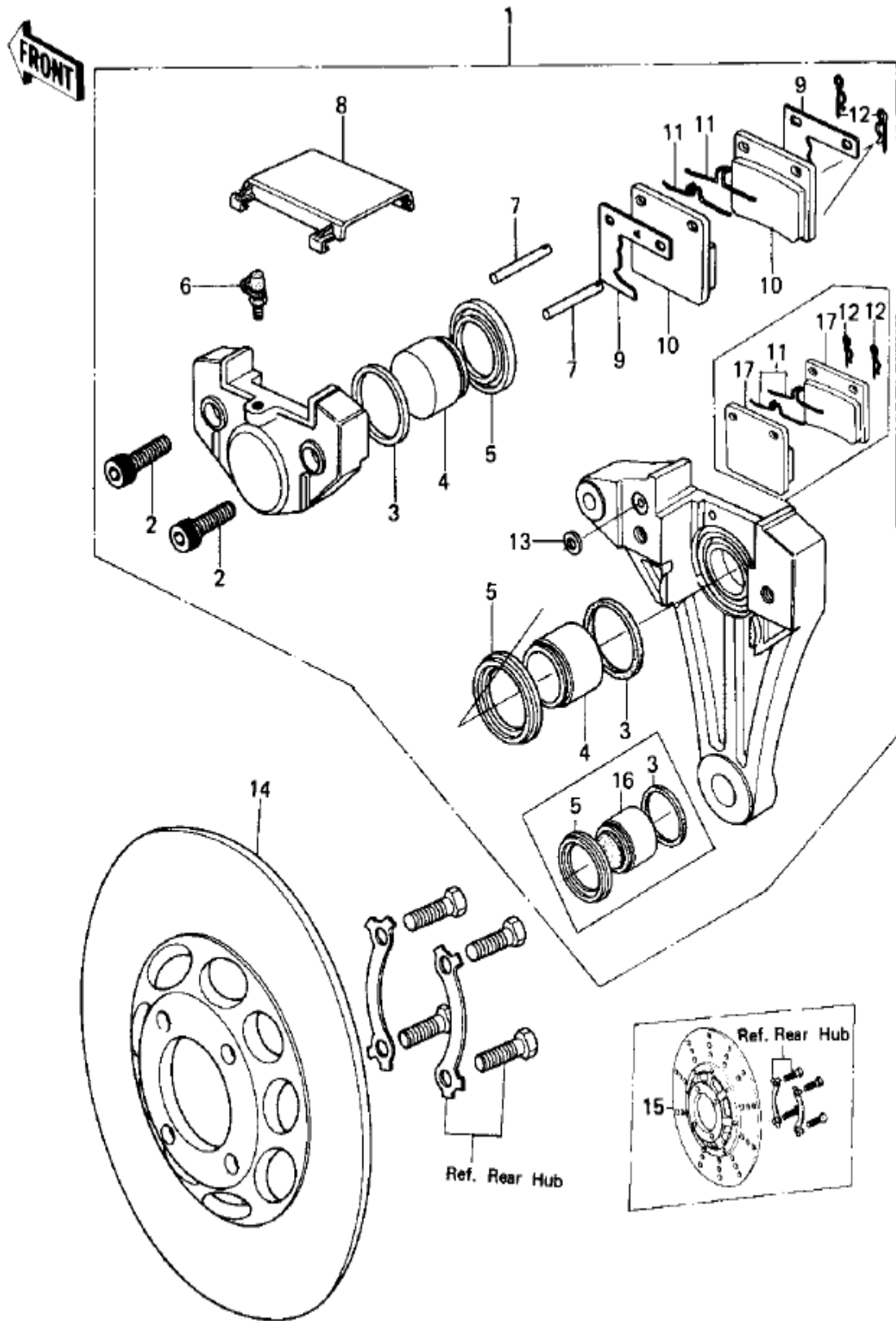
Tools



I

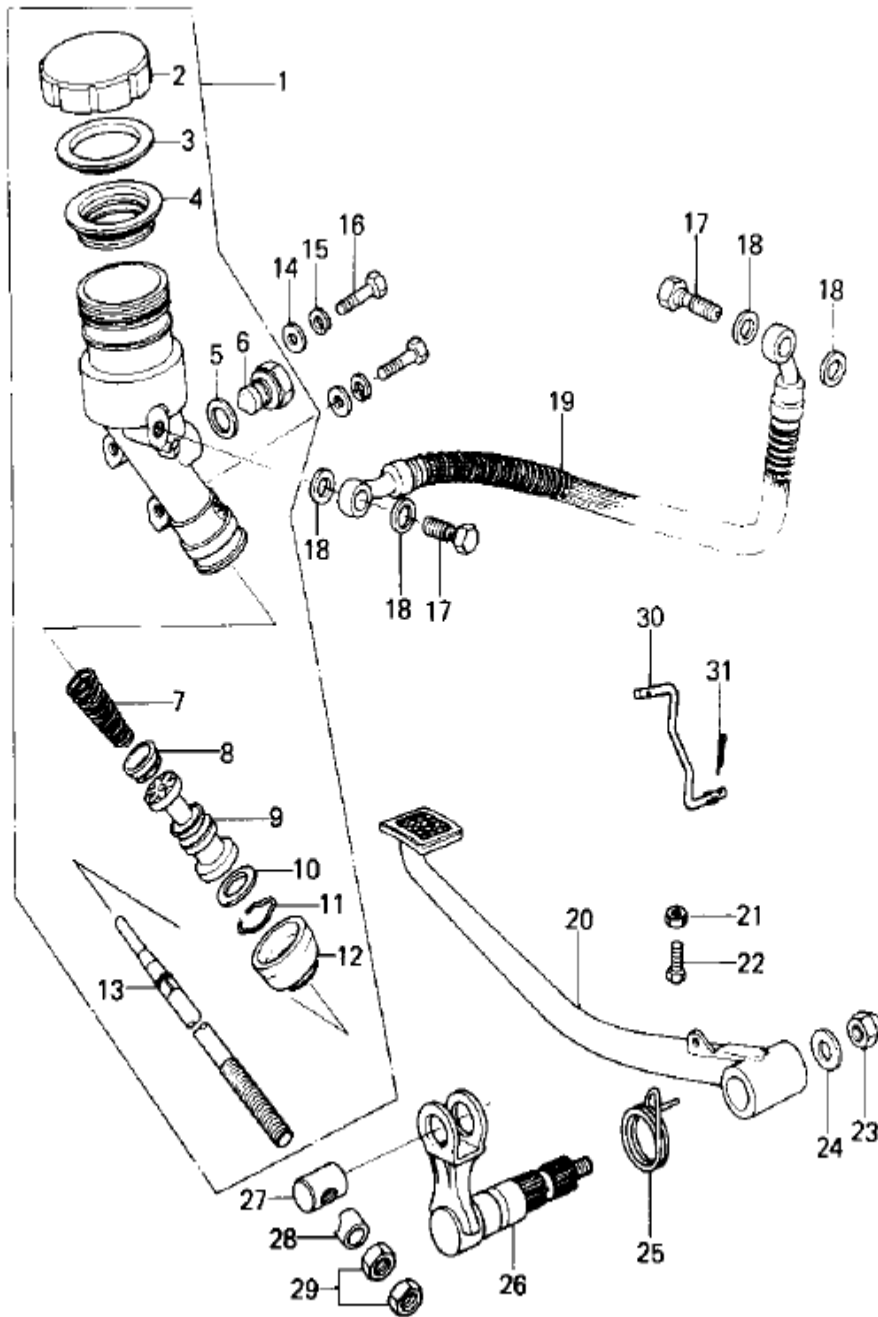
Ref #	Part #	Description	Qty	Spec #
1	56007-1012	TOOL KIT	1	
2	56008-009	BAG,TOOL	1	
3	92126-001	WRENCH,OPEN,8X10	1	
4	92126-002	WRENCH,OPEN END,12X13	1	
5	92110-1153	TOOL-WRENCH,OPEN END,	1	
6	92110-1147	TOOL-WRENCH,BOX END,2	1	
7	92108-008	WRENCH,SPARK PLUG	1	
8	92110-1014	WRENCH,HOOK	1	
9	92111-004	WRENCH,HOOK	1	
10	92128-001	GAUGE,THICKENSS	1	
11	92112-003	PLIERS,160MM	1	
12	92106-004	92106-1001 (Canada)	1	
13	92107-008	92107-1002 (Canada)	1	
14	92107-1052	TOOL-DRIVER	1	
15	92107-007	92107-1052 (Canada)	1	
16	92110-1005	WRENCH,OPEN END,22M/M	1	
17	92104-002	LIQUID GASKET	1	

Rear Brake



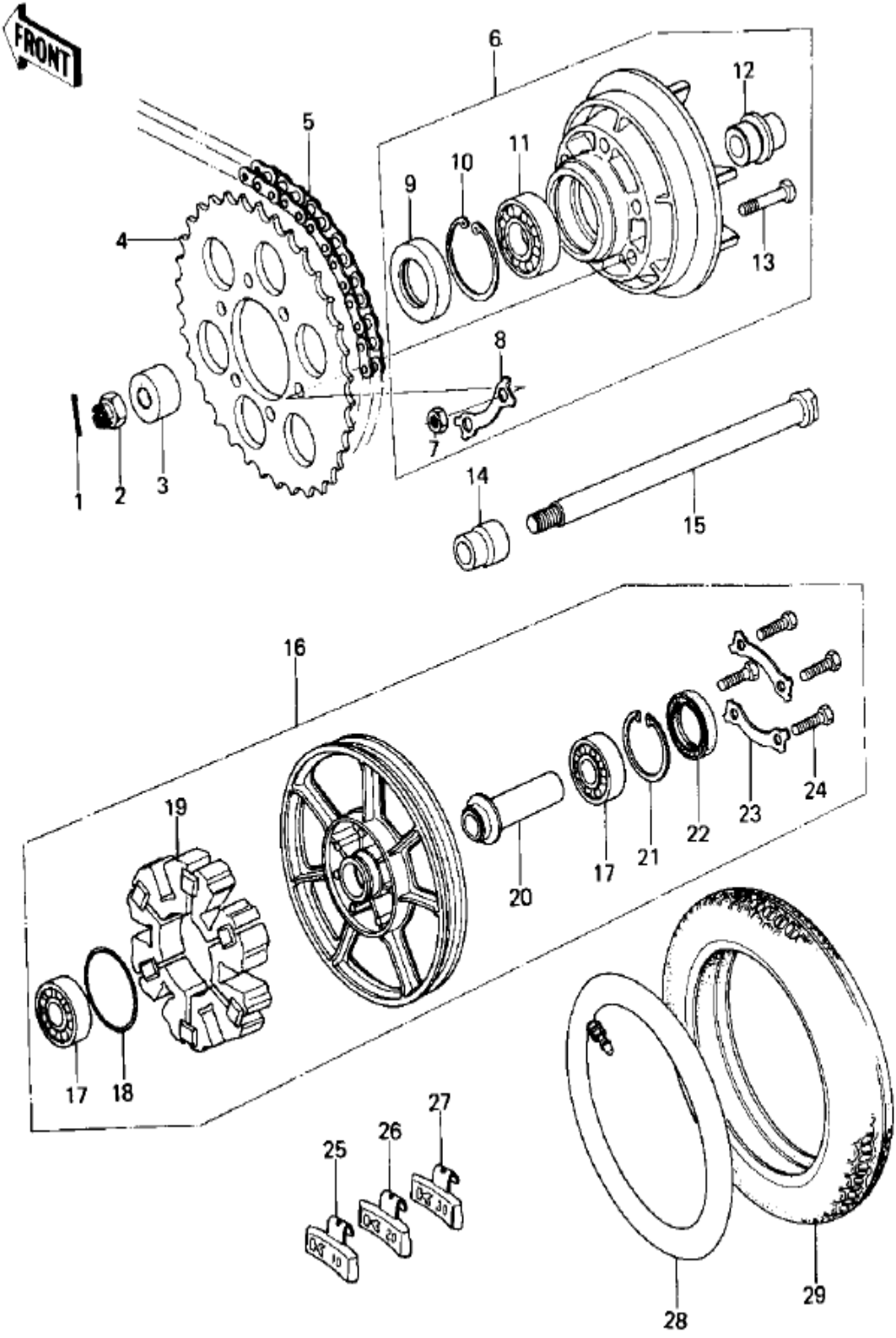
Ref #	Part #	Description	Qty	Spec #
1	43041-1005	CALIPER ASSY,REAR	1	KZ650-D1/D1A
1	43041-1023	CALIPER ASSY,REAR	1	KZ650-D2
2	92001-1071	BOLT,TIE,10X45	2	
3	43049-002	RING,PISTON SEAL	2	
4	43048-008	PISTON,REAR CALIPER	2	KZ650-D1/D1A
5	43054-004	DUST SEAL,PISTON	2	
6	43085-001	BLEEDER SET	1	
7	43045-007	PIN	2	
8	43024-004	CAP	1	
9	43076-004	SHIM	2	
10	43050-1013	PAD SET	1	KZ650-D1/D1A
11	43066-002	UNAVAILABLE IN PRICE BOOK	2	
12	43084-003	CLIP	2	
13	43049-1004	RING,SEAL6.5X11.5X2.2	1	
14	41080-008	PLATE,REAR DISC	1	KZ650-D1/D1A
15	41080-1020	DISC PLATE,REAR	1	KZ650-D2
16	43020-1011	PISTON,BRAKE	2	KZ650-D2
17	43082-1002	PAD SET	1	KZ650-D2

REAR MASTER CYLINDER/BRAKE PEDAL



Ref #	Part #	Description	Qty	Spec #
1	43015-1005	CYLINDER ASSY,M.REAR	1	"14 " MARK
2	43026-004	CAP,OIL CUP	1	
3	43027-001	PLATE-MASTER CYLINDER	1	
4	43028-003	DIAPHRAGM	1	
5	43079-002	'O'RING	1	
6	92001-1073	BOLT	1	
7	43018-001	SPRING ASSY-RETURN	1	
8	43019-001	CUP-PRIMARY	1	
9	43020-1007	PISTON ASSY	1	
10	43022-002	STOPPER,PISTON	1	
11	43024-003	DUST COVER	1	
12	43024-003	DUST COVER	1	
13	43011-1004	ROD,BRAKE	1	
14	411B0800	WASHER PLAIN 8MM	2	
15	461F0800	WASHER SPRING 8MM	2	
16	115G0830	BOLT-SMALL-UPSET,8X30	2	
17	92002-1888	BOLT,OIL,L=23	2	
18	43067-001	WASHER-OIL BOLT	4	
19	43059-1006	HOSE,REAR MASTER	1	L = 520M/M
20	43001-1009	PEDAL BRAKE	1	
21	311B0600	NUT 6MM	1	STOPPER
22	112G0620	BOLT-UPSET,6X20	1	STOPPER
23	92019-013	NUT,CAP AND LOCK,8MM	1	
24	92022-1561	WASHER,8.5X20X1.6	1	
25	92081-1015	SPRING,BRAKE PEDAL	1	
26	43004-1002	SHAFT,BRAKE PEDAL	1	
27	92043-1003	PIN,BRAKE ROD	1	
28	92027-1019	COLLAR,BRAKE ROD	1	
29	315B1000	NUT 10MM	2	
30	27012-1003	HOOK,BRAKE SWITCH	1	
31	550D1610	PIN COTTER 1.6X10	1	

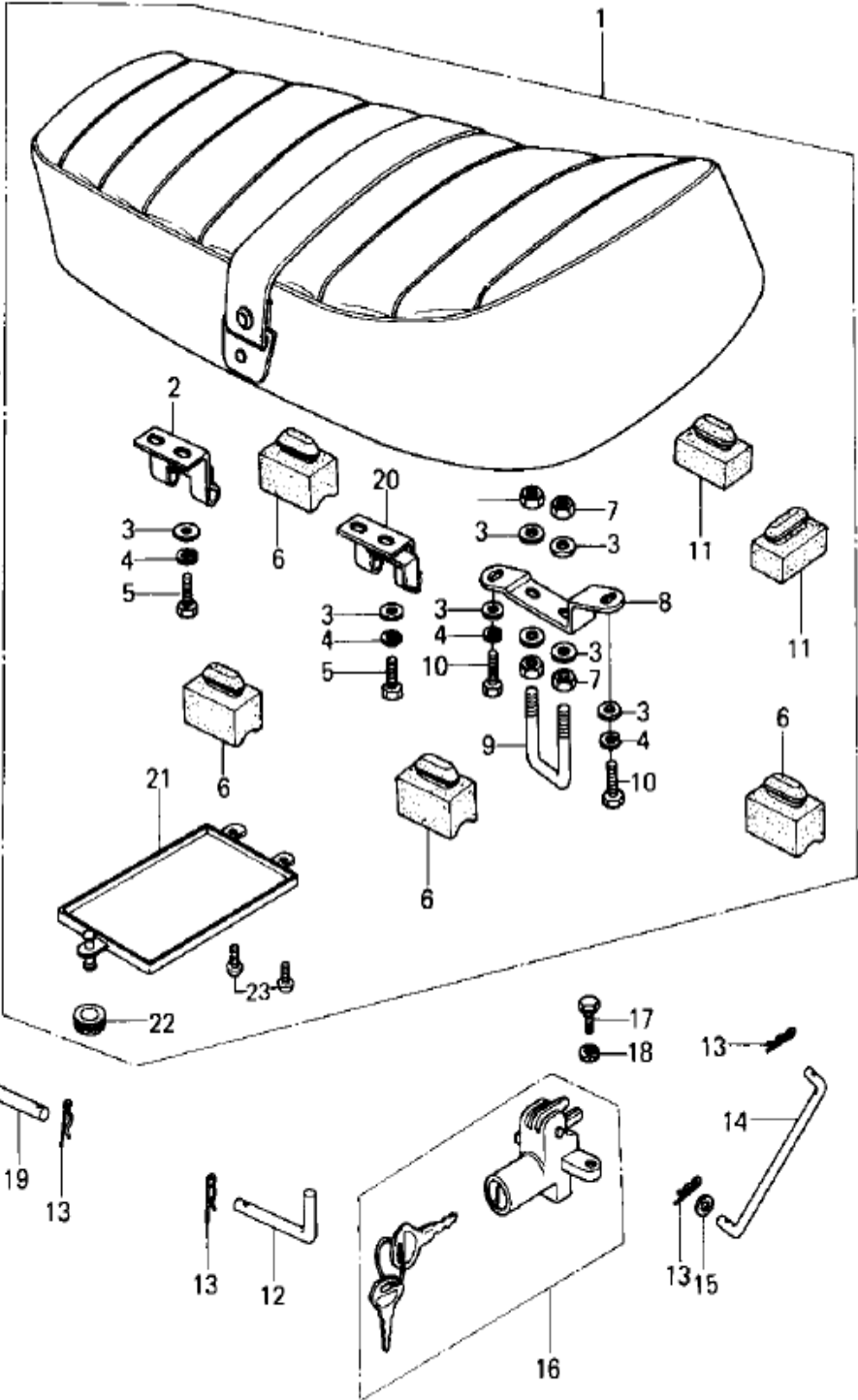
Rear Wheel



Ref #	Part #	Description	Qty	Spec #
1	550D4035	PIN-COTTER,4.0X35	1	
2	92015-055	NUT CASTLE,16MM	1	
3	92027-1023	COLLAR,REAR AXLE,22MM	1	
4	42041-1100	SPROCKET-HUB,40T,BLAC	1	KZ650-D1/D1A
4	42041-1100	SPROCKET-HUB,40T,BLAC	1	KZ650-D2
4	42041-1024	REAR SPROCKET,4/T	1	KZ650-D2
5	92057-1232	CHAIN-EX50MV-0X102L	1	
6	42033-1004	COUPLING ASSY,R.HUB	1	
7	42045-005	NUT 10MM	6	
8	92068-007	PLUG	3	
9	92050-027	OIL SEAL	1	
10	92033-1044	CIRCLIP,62M/M	1	
11	601B6206	BALL BEARING,#6206	1	
12	42036-1013	SLEEVE,REAR HUB	1	
13	92003-087	BOLT-REAR SPROCKET	6	
14	41069-032	COLLAR,FRONT AXLE	1	
15	41068-1086	AXLE,RR	1	
16	41073-1011	SOLID WHEEL ASSY,REAR	1	
17	601B6303ZZ	BRG,BALL,#6303ZZC3	2	
18	671B2565	"0" RING,65MM	1	
19	42014-033	SHOCK DAMPER,REAR HUB	1	
20	92027-1047	COLLAR,REAR HUB BRG.	1	
21	92033-1042	CIRCLIP,47M/M	1	
22	92049-1319	SEAL-OIL,FORK OUTER	1	
23	92088-023	WASHER,LOCK	2	
24	92001-160	BOLT	4	
25	41075-1011	BALANCER-WHEEL,10G	AR	
26	41075-1012	BALANCER-WHEEL,20G	AR	
27	41075-1013	BALANCER-WHEEL,30G	AR	
28	41022-1003	TUBE 510-16	1	
29	41002-1020	TIRE 510-16 K87 (R)	1	DUNLOP K87

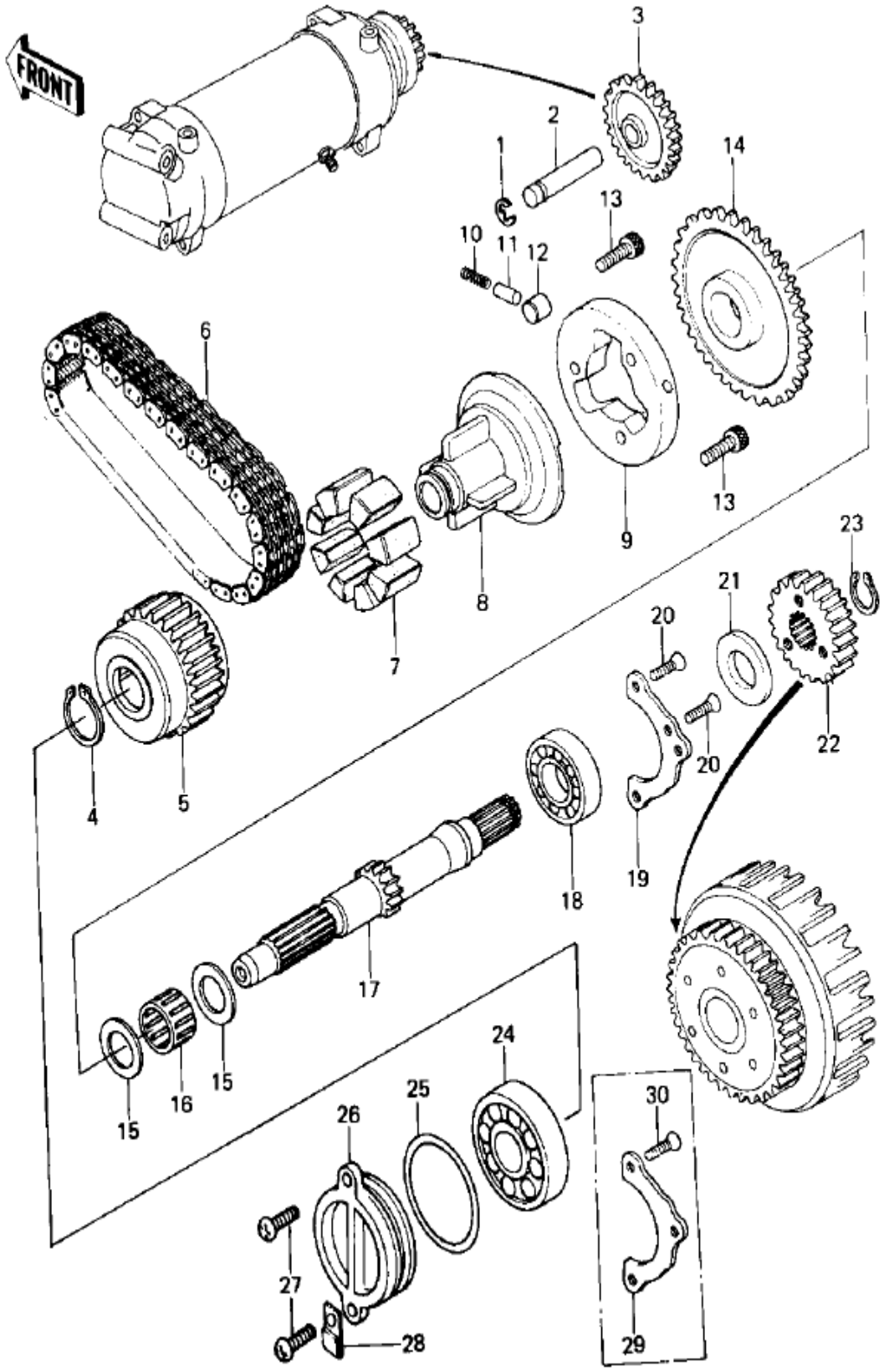
Seat

FRONT



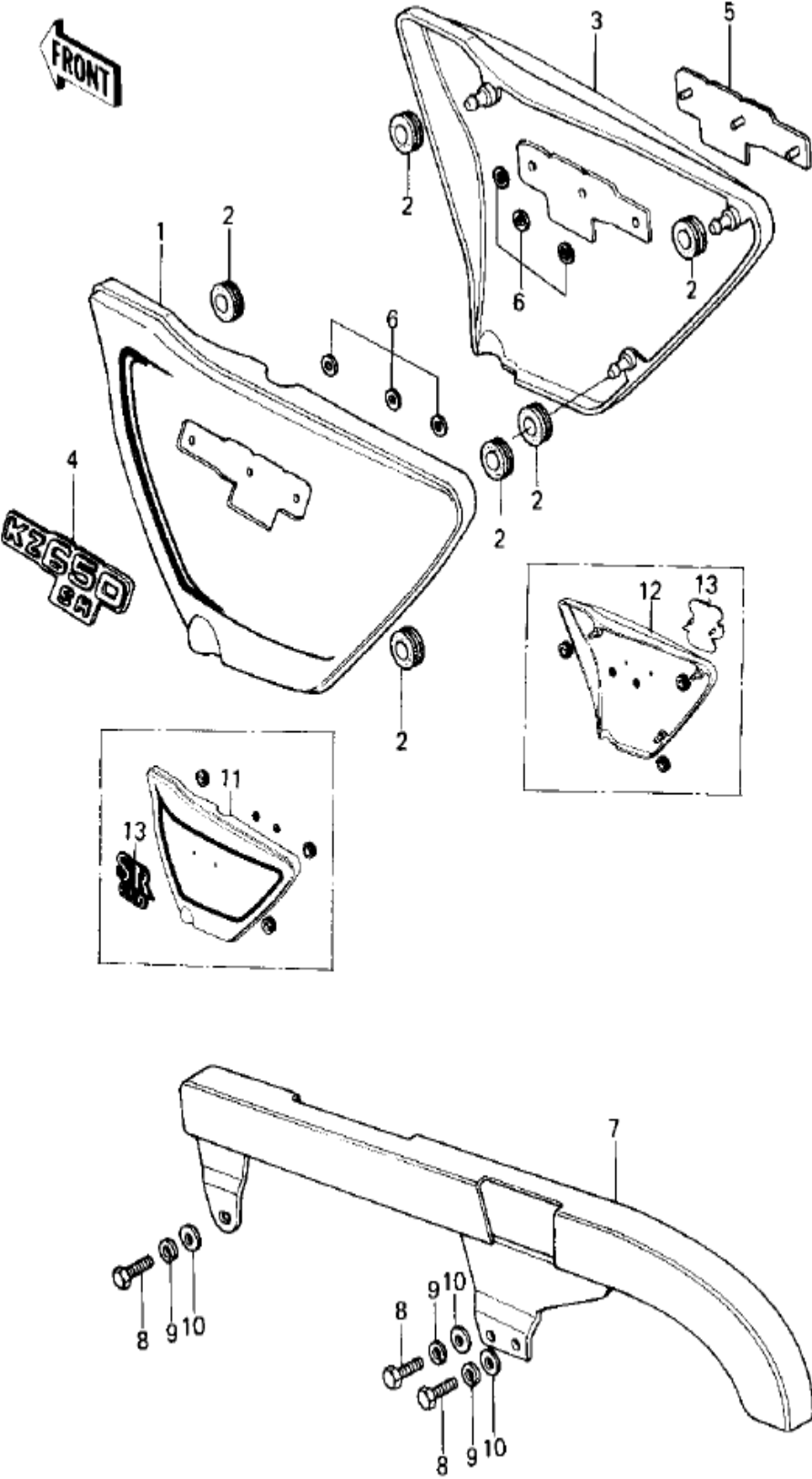
Ref #	Part #	Description	Qty	Spec #
1	53001-1135	SEAT ASSY	1	
2	53009-016	HINGE	1	
3	411B0600	WASHER PLAIN 6MM	10	
4	461F0600	WASHER SPRING 6MM	6	
5	11080616	UNAVAILABLE IN PRICE BOOK	4	
6	92075-156	DAMPER RUBBER-SEAT	4	
7	311B0600	NUT 6MM	4	
8	11034-1093	BRACKET,SEAT	1	
9	53056-002	CATCH, SEAT	1	
10	112B0614	BOLT-UPSET 6X14	2	
11	92075-099	DAMPER RUBBER	2	
12	92043-1021	PIN,SEAT PIVOT	1	
13	92041-003	COTTER PIN	4	
14	53054-006	STOPPER,SEAT	1	
15	410B0600	WASHER PLAIN 6MM	1	
16	27016-5010	LOCK-ASSY,SEAT	1	KZ650-D1/D1A
16	27016-5010	LOCK-ASSY,SEAT	1	KZ650-D2
17	112G0612	BOLT-UPSET,6X12	1	
18	461F0600	WASHER SPRING 6MM	1	
19	53011-002	PIN	1	
20	53009-1004	HINGE,SEAT REAR	1	
21	32099-011	CASE	1	
22	92071-056	GROMMET	1	
23	220B0510	SCREW PAN HEAD 5X10	2	

SECONDARY SHAFT/STARTER CLUTCH



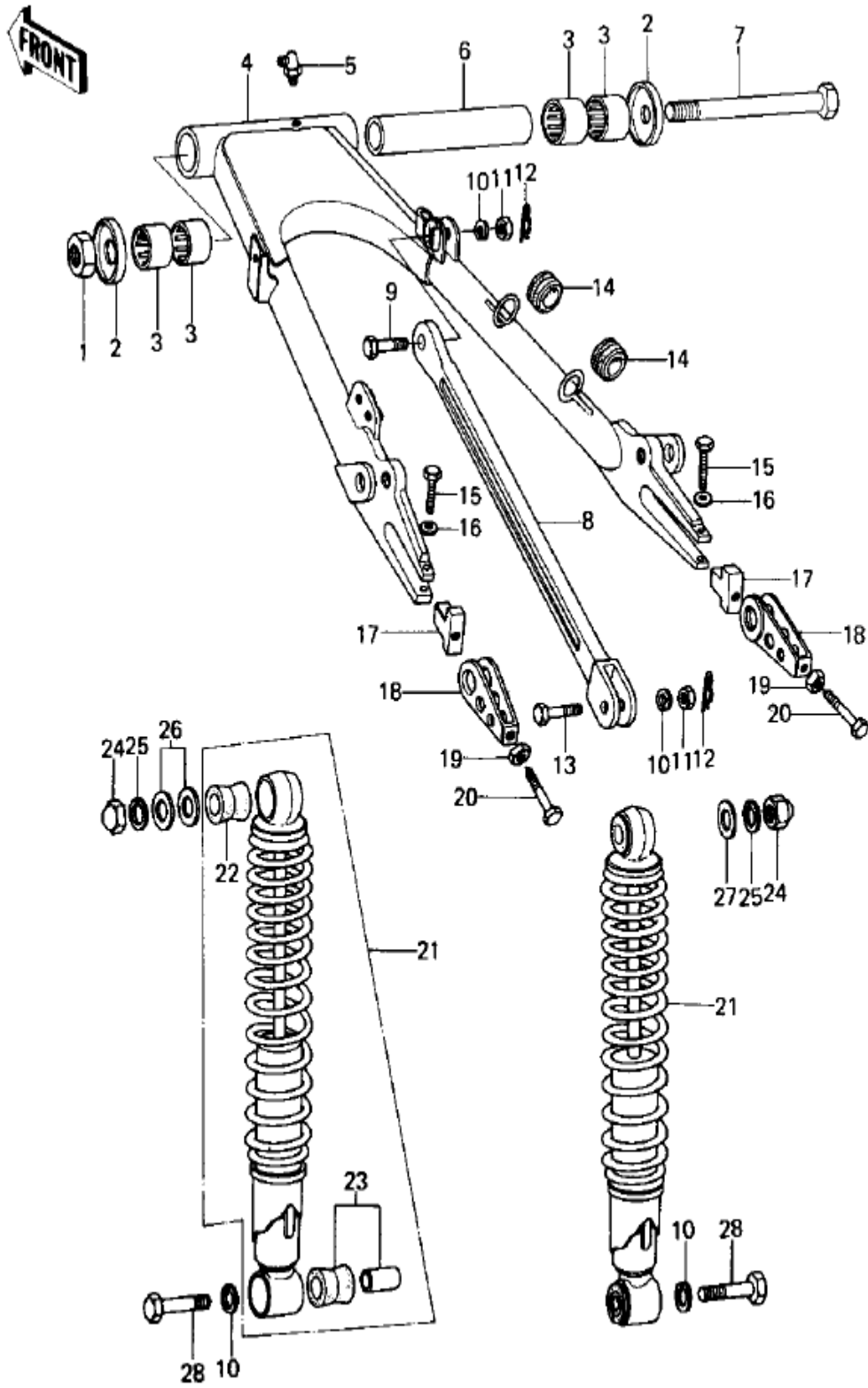
Ref #	Part #	Description	Qty	Spec #
1	482K0200	CIRCLIP 12MM	1	
2	21143-003	SHAFT,IDLE GEAR	1	
3	21167-004	GEAR,IDLE,29T	1	
4	480J2800	CIRCLIP 28MM	1	
5	13252-001	COUPLING,OUTER	1	
6	13122-007	CHAIN,PRIMARY 52L	1	
7	13098-029	DAMPER RUBBER	8	
8	13253-001	COUPLING,INNER	1	
9	13193-1012	CLUTCH-ASSY-ONEWAY	1	
10	92081-110	SPRING	3	
11	92043-087	PIN	3	
12	92122-004	ROLLER	3	
13	120P0812	BOLT,SOCKET,8X12	3	
14	12046-1032	SPROCKET,STARTER,58T	1	
15	92026-117	SPACER,STARTER CLUTCH	2	
16	92046-056	BRG,NEEDLE,K253017	1	
17	13127-054	SHAFT,SECONDARY	1	
18	601B6305	BEARING BALL #6305	1	
19	14014-1007	PLATE,POSITIONING	1	KZ650
20	221B0620	SCREW CNTSNK HD 6X20	2	KZ650
21	92027-263	COLLAR,T=5MM	1	
22	13121-037	GEAR,2ND SHAFT,29T	1	
23	480J2200	CIRCLIP,22MM	1	
24	601B6304	BEARING BALL #6304	1	
25	670B3046	"O" RING,46MM	1	
26	92066-1019	PLUG,SECONDARY SHAFT	1	
27	220B0620	SCREW PAN HEAD 6X20	2	
28	21126-008	CLAMP,WIRING HARNESS	1	
29	14014-1007	PLATE,POSITIONING	1	KZ650-D2
30	221B0620	SCREW CNTSNK HD 6X20	1	KZ650-D2

SIDE COVERS/CHAIN COVER



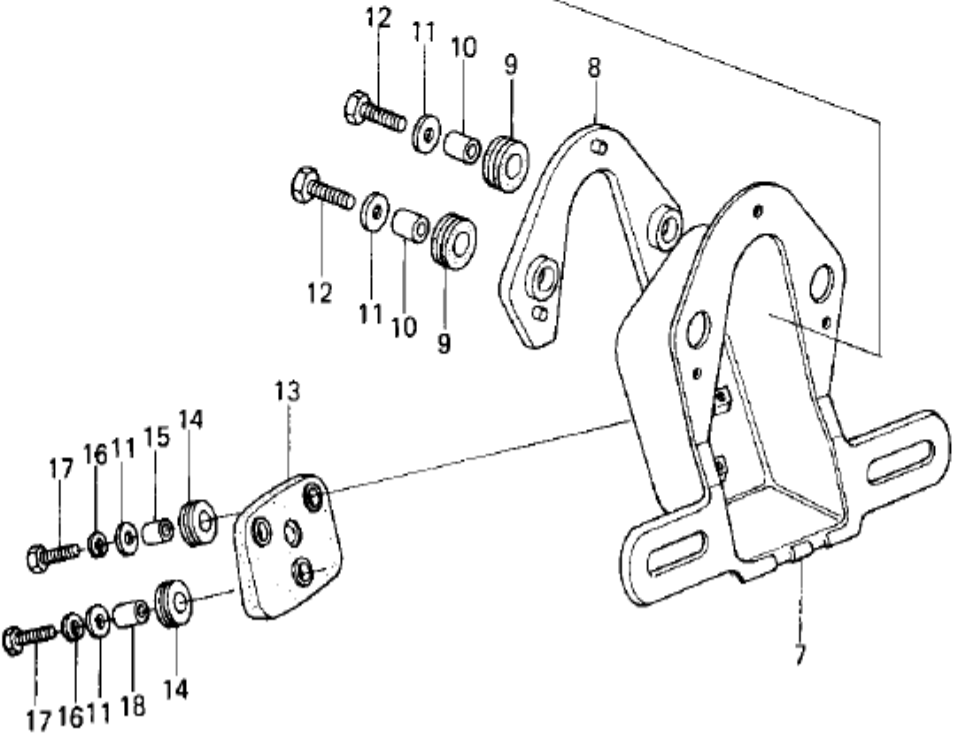
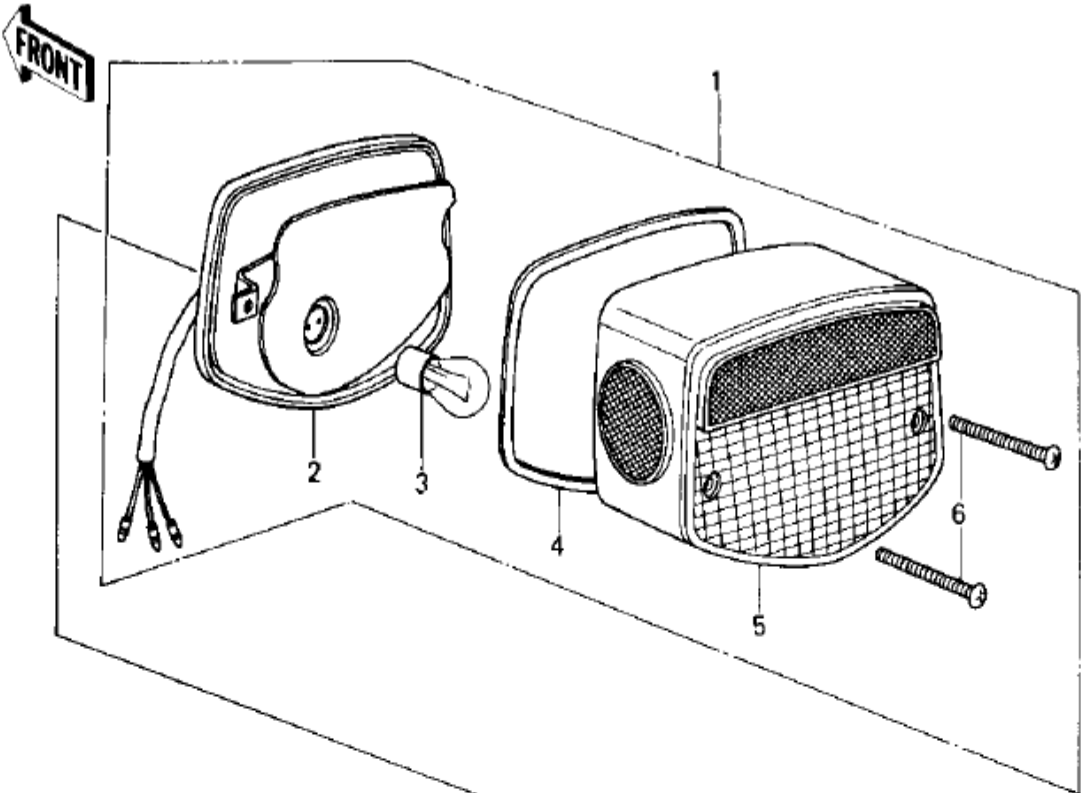
Ref #	Part #	Description	Qty	Spec #
1	36001-1010-A5	COVER,SIDE,L.H.C.RED	1	KZ650-D1/D1A
2	92071-056	GROMMET	6	
3	36001-1056-A5	COVER,SIDE,R.H,P.RED	1	KZ650-D1/D1A
4	56018-1019	MARK,SIDE COVER L.H.	1	KZ650-D1/D1A
5	56018-1022	MARK,SIDE COVER,R.H.	1	KZ650-D1/D1A
6	92018-005	NUT,LOCK,3MM	6	KZ650-D1/D1A
6	92018-005	NUT,LOCK,3MM	4	KZ650-D2
7	36014-1039	CASE,CHAIN	1	
8	112G0616	BOLT-UPSET,6X16	3	
9	461F0600	WASHER SPRING 6MM	3	
10	410F0600	WASHER PLAIN	3	
11	36001-1055-8E	COVER,SIDE,L.H,M.BLUE	1	KZ650-D2
11	36001-1055-A5	COVER,SIDE L.H,P.RED	1	KZ650-D2
12	36001-1056-8E	COVER,SIDE,R.H,M.BLUE	1	KZ650-D2
12	36001-1056-A5	COVER,SIDE,R.H,P.RED	1	KZ650-D2
13	56018-1028	MARK,SIDE COVER	2	KZ650-D2

SWING ARM/SHOCK ABSORBERS



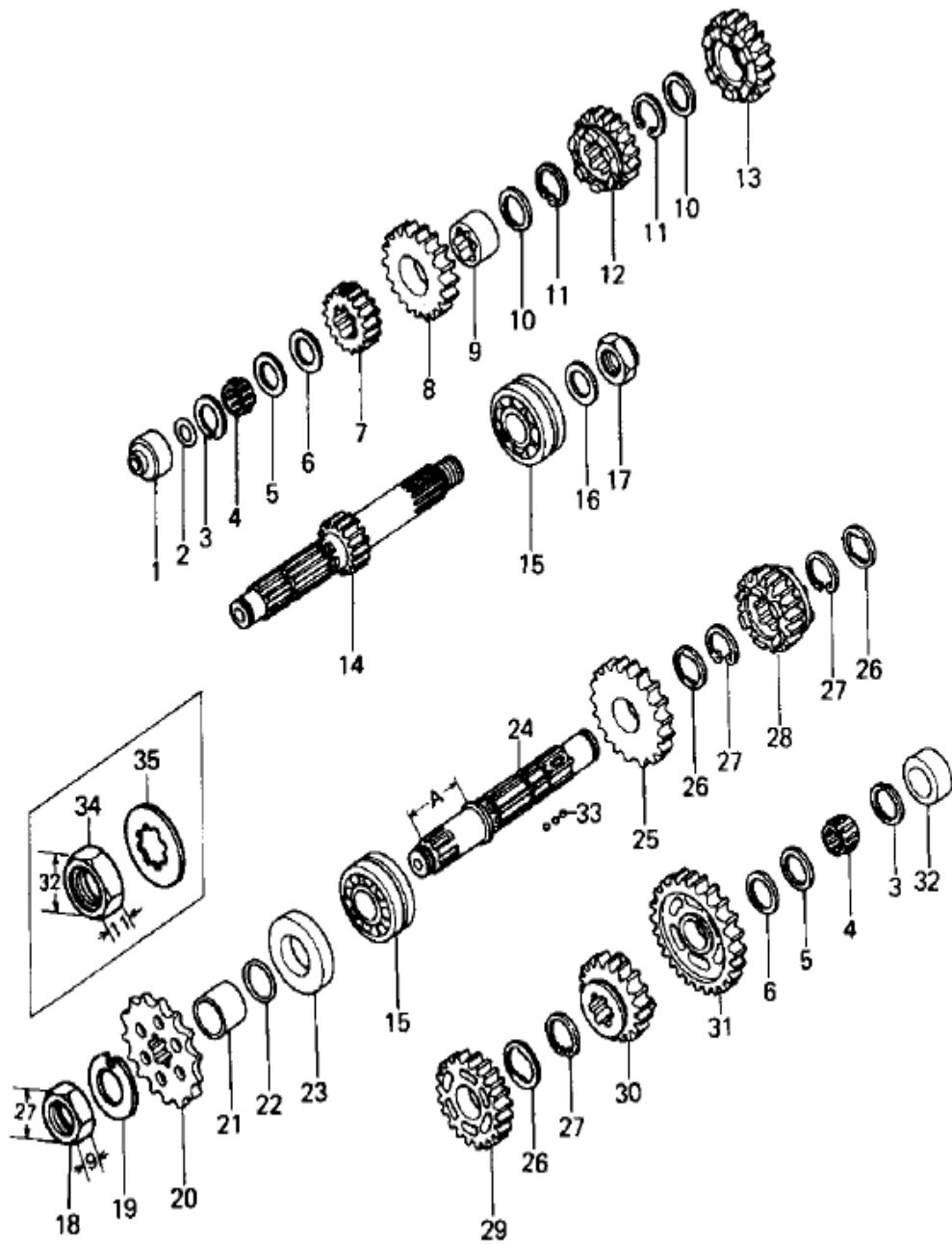
Ref #	Part #	Description	Qty	Spec #
1	92019-012	NUT-SELF LOCKING	1	
2	33035-009	CAP,SWING ARM	2	
3	92046-1115	BEARING-NEEDLE,HK2216	4	
4	33001-1081	ARM-COMP-SWING	1	*INCLUDES REF. NO'S MARKED*
5	92005-002	GREASE NIPPLE	1	
6	42036-1012	SLEEVE,SWING ARM	1	
7	33032-050	SHAFT,SWING ARM	1	
8	43007-049	TORQUE LINK,REAR HUB	1	
9	92003-218	BOLT,HEX HEAD,10X39	1	FRONT
10	461F1000	WASHER SPRING 10MM	4	
11	314B1000	NUT,10MM	2	
12	554A0800	PIN,SNAP	2	
13	92001-1145	BOLT,10X47	1	REAR
14	43064-007	DAMPER RUBBER	2	
15	92001-1577	BOLT,FLANGED,8X35	2	
16	461F0800	WASHER SPRING 8MM	2	
17	33044-002	STOPPER,CHAIN ADJUST	2	
18	33040-056	ADJUSTER,CHAIN	2	
19	312B0800	NUT 8MM	2	
20	92001-1399	BOLT,8X50	2	
21	45014-1009	SHOCK ABSBR RR	2	
22	45017-020	BUSHING,SHOCK ABSORB	2	
23	45017-019	BUSHING,SHOCK ABSORBE	2	
24	92020-014	NUT 12MM	2	
25	461F1200	WASHER SPRING 12MM	2	
26	410B1200	WASHER PLAIN 12MM	2	
27	92022-1057	WASHER,PLAIN,12 X 22	1	
28	113N1035	BOLT HEX HEAD 10X35	2	

Taillight



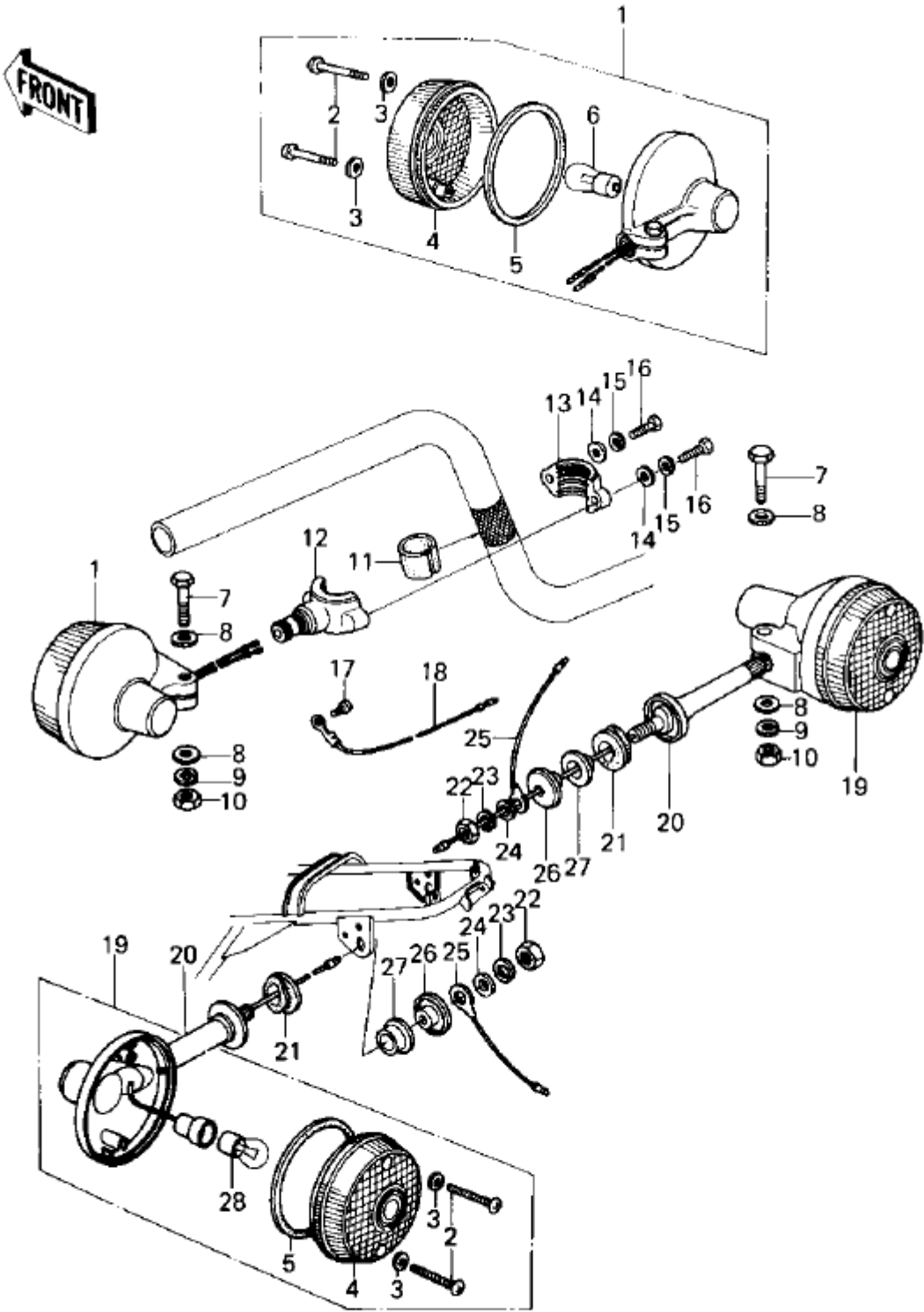
Ref #	Part #	Description	Qty	Spec #
1	23025-064	TAIL LAMP UNIT	1	"220-40781" MARK
2	23027-041	CASE, TAIL LIGHT	1	
3	92069-059	BULB, 12V 32/3CP	1	
4	23028-021	GASKET, TAIL LENS	1	
5	23026-034	LENS, TAIL LAMP	1	
6	220R0460	SCREW-PAN-CROS	2	
7	23036-1005	BRACKET, TAIL LAMP	1	"220-40839" MARK
8	23066-023	DAMPER RUBBER	1	
9	23066-020	DAMPER RUBBER	2	
10	92027-129	COLLAR, 6.8X10X8.5	2	
11	92022-125	WASHER 6.5X20X1.6T	5	
12	112G0618	BOLT-UPSET	2	
13	92075-1055	DAMPER, TAIL LAMP	1	
14	92075-121	DAMPER RUBBER, RR FEND	3	
15	92027-156	COLLAR 6.8X10X14.5	2	
16	461F0600	WASHER SPRING 6MM	3	
17	112G0625	BOLT-UPSET	3	
18	92027-169	COLLAR	1	

Transmission



Ref #	Part #	Description	Qty	Spec #
1	92028-179	BUSHING,DRIVE SHAFT	1	
2	670B1507	"O" RING,7MM	1	
3	92033-015	CIRCLIP	2	
4	92046-1030	BEARING,VS20/14A	2	
5	92022-112	WASHER THRUST	AR	STEEL
5	92022-144	SHIM-KICK SHAFT	AR	STEEL
5	92022-1026	WASHER,PLAIN	AR	STEEL
6	92022-113	WASHER THRUST	2	PHOSPHOR-BRONZE
7	13130-041	2ND GEAR,DRIVE	1	
8	13129-1045	TOP GEAR,DRIVE SHAFT	1	
9	92028-1007	BUSHING,DRV SHFT TOP	1	
10	92022-161	WASHER PLAIN	2	
11	92033-026	CIRCLIP	2	
12	13129-1032	3RD GEAR,DRIVE SHAFT	1	
13	13129-1044	4TH GEAR,DRIVE SHAFT	1	
14	13127-051	SHAFT,DRIVE	1	
15	92045-035	BEARING,BALL	2	
16	92125-002	WASHER	1	
17	92015-1555	NUT,20MM	1	
18	92016-028	NUT 20MM	1	USE FOR 13128-1005
19	92024-044	WASHER,LOCK,20MM	1	USE FOR 13128-1005
20	13144-063	ENGINE SPROCKET,16T	1	
20	13144-1009	ENGINE SPROCKET,17T	1	RACING USE ONLY
21	92027-288	COLLAR,ENG SPROCKET	1	
22	92055-035	"O" RING	1	
23	92050-024	OIL SEAL SC325210	1	
24	13128-5005	SHAFT,OUTPUT	1	E/NO. 000101-003008
24	13128-1012	SHAFT,OUTPUT	1	E/NO. 003009~
25	13129-1047	2ND GEAR,OUTPUT SHAFT	1	
26	92024-069	WASHER,LOCK	3	
27	480J3000	CIRCLIP,30MM	3	
28	13129-1033	TOP GEAR,OUTPUT SHAFT	1	
29	13129-1048	3RD GEAR,OUTPUT SHAFT	1	
30	13129-1049	4TH GEAR,OUTPUT SHAFT	1	
31	13129-1046	LOW GEAR,OUTPUT SHAFT	1	
32	92028-180	BUSHING,OUTPUT SHAFT	1	
33	600A0500	BALL STEEL 5/32'	3	
34	92015-1254	NUT,20MM	1	USE FOR 13128-1012
35	92200-1065	WASHER	1	USE FOR 13128-1012

Turn signals



Ref #	Part #	Description	Qty	Spec #
1	23040-1004	LAMP,FRNT,TURN SIGNAL	2	
2	220E0420A	SCREW-PAN HEAD,4X20	8	
3	23058-002	WASHER-PLAIN,4MM	8	
4	23048-1001	LENS,TURN SIGNAL LAMP	4	
5	23050-003	GASKET-SIG LAMP LENS	4	
6	92069-060	BULB,12V 23/8W	2	
7	112G0630	BOLT-UPSET	4	
8	411B0600	WASHER PLAIN 6MM	8	
9	461F0600	WASHER SPRING 6MM	4	
10	311B0600	NUT 6MM	4	
11	23066-003	DAMPER RUBBER	2	
12	23051-1004	BRACKET,FRNT TURN SIG	2	
13	23051-1013	BRACKET,SIGNAL LAMP	2	
14	410D0500	WASHER-PLAIN,5MM	4	
15	461F0500	WASHER SPRING 5MM	4	
16	110N0516	BOLT	4	
17	220B0305A	SCREW PAN HEAD 3X5	2	
18	26011-061	WIRE-TURN SIGNAL LEAD	2	
19	23040-054	LAMP,TURN SIGNAL	2	
20	23051-053	BRACKET,TURN SIGNAL.L	2	
21	92075-128	DAMPER RUBBER	2	
22	315B1000	NUT 10MM	2	
23	461F1000	WASHER SPRING 10MM	2	
24	92022-239	WASHER,PLAIN	2	
25	26011-063	LEAD WIRE,SIGNAL LAMP	2	
26	92027-147	COLLAR	2	
27	92075-158	DAMPER RUBBER,SIG LM	2	
28	92069-055	BULB 12V 32CP	2	

By: <http://jarle.eltelevest.no/Kawasaki/index.htm>
Source: <http://www.kawasaki.com>