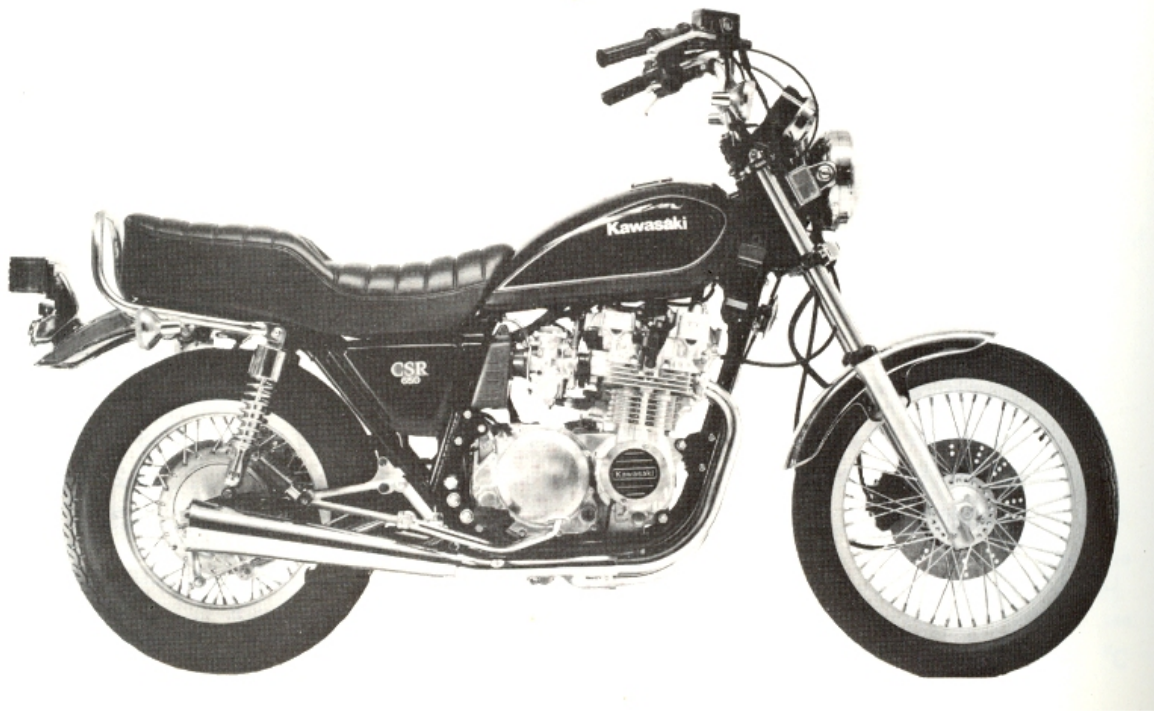


Parts diagram KZ650CSR H1-H3 1981 – 1983

KZ650-H2



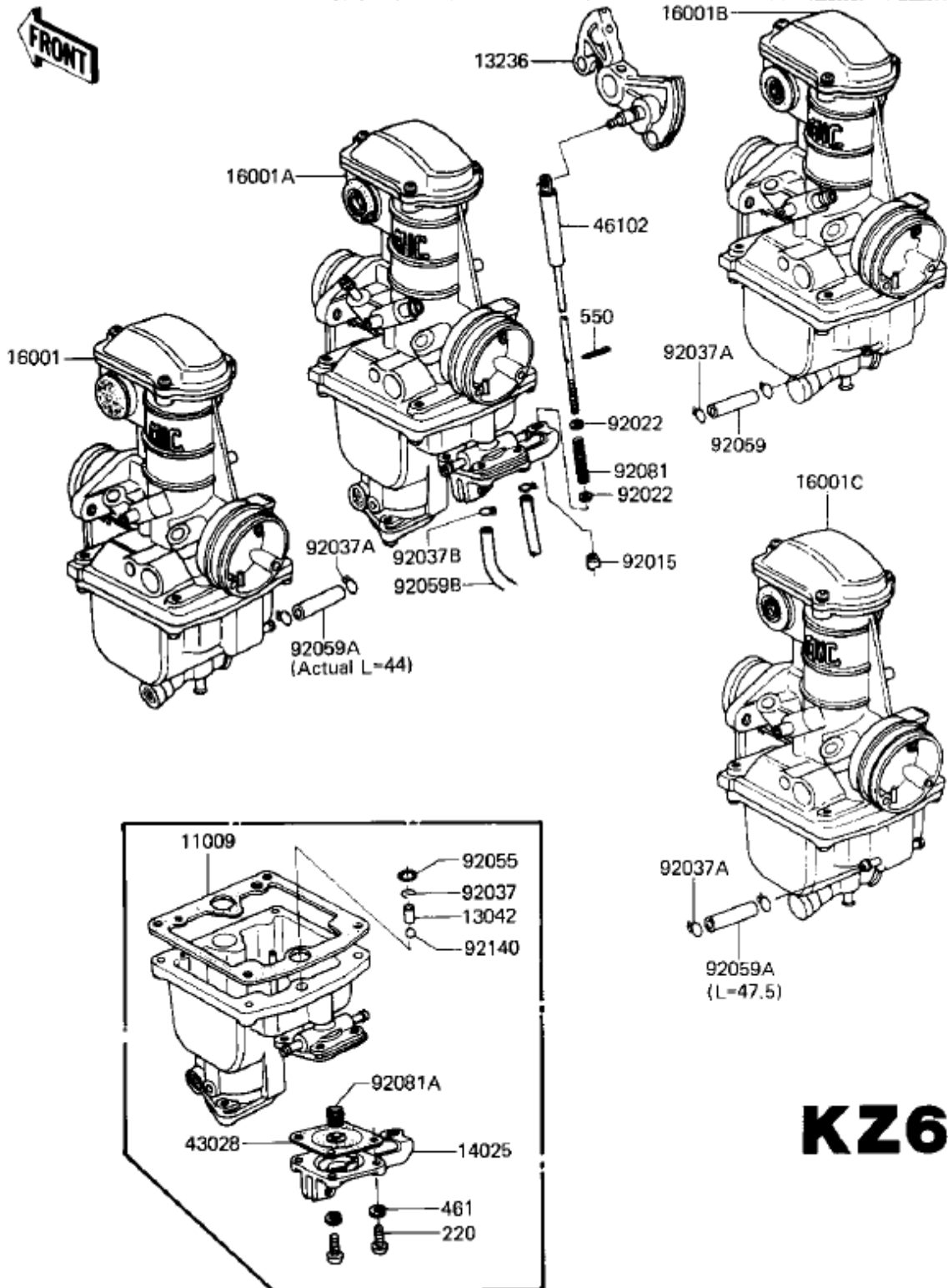
By: JARLEF.NO
Source Kawasaki.com

ACCELERATOR PUMP KZ650-H1	4
AIR CLEANER H1-H2	6
AIR CLEANER H3	8
BATTERY CASE/TOOL CASE H1-H2	10
BATTERY CASE H3	12
BRAKE PEDAL/TORQUE LINK H1-H3.....	14
BREATHER COVER/OIL PAN H1-H3	16
CABLES H1-H3	18
CAMSHAFT/CHAIN/TENSIONER H1-H3	19
CARBURETOR ASSY 83 H3.....	21
CARBURETOR ASSY KZ650-H1	23
CARBURETOR ASSY KZ650-H2 – H3	25
CARBURETOR PARTS H2-H3	27
CARBURETOR PARTS '81 H1.....	29
CHASSIS ELECTRICAL EQUIPMENT H1-H2.....	32
CLUTCH H1-H2.....	34
CLUTCH H3.....	36
CRANKCASE H1 - H3	38
CRANKCASE BOLT & STUD PATTERN H1-H3	40
CRANKSHAFT H1 – H3	41
CYLINDER HEAD H1 – H2.....	43
CYLINDER HEAD 83 H3	45
CYLINDER HEAD COVER H1-H2.....	47
CYLINDER HEAD COVER'83 H3	49
CYLINDER/PISTONS H1 - H2.....	51
CYLINDER/PISTONS 83 H3	53
ENGINE COVERS H1 – H2	55
ENGINE COVERS H3.....	57
FENDERS H1 – H3	59
FOOTRESTS H1 – H3	60
FRAME H1 – H3	62
FRAME FITTINGS H1 – H2	64
FRAME FITTINGS H3	66
FRONT BRAKE H1 – H3.....	68
FRONT FORK H1 – H2.....	70
FRONT FORKS H3.....	72
FRONT HUB H1- H2.....	74
FRONT HUB/WHEEL H3	76
MASTER CYLINDER H1 – H3.....	78
FUEL TANK H1 – H2	80
FUEL TANK H3.....	82
GEAR CHANGE DRUM & FORKS H1 - H3.....	84
GEAR CHANGE MECHANISM H1 - H3	86
GENERATOR/REGULATOR H1 - H2	87
GENERATOR/REGULATOR H3	88
HANDLEBAR KZ650-H1	89
HANDLEBAR H2 – H3	91
HEADLIGHT H1 – H3.....	93
IGNITION H1 – H3	95
IGNITION SWITCH/LOCKS/REFLECTORS '81-'82 H1/H2.....	97
IGNITION SWITCH/LOCKS/REFLECTORS '83 H3.....	99
INSTRUMENTS H1 – H3	101
MUFFLERS '81-'83 H1 - H3	103
OIL PUMP/OIL FILTER '81-'83 H1-H3	105
REAR HUB/BRAKE/CHAIN '81-'82 H1/H2.....	107
REAR HUB/BRAKE/CHAIN H3	109
SEAT H1 –H3	111
SECONDARY SHAFT H1 –H3.....	113
SIDE COVERS/CHAIN COVER H1 –H3	114
STANDS H1 –H3.....	115

STARTER MOTOR/STARTER CLUTCH H2 – H3	116
STARTER MOTOR/STARTER CLUTCH H1	118
SWING ARM/SHOCK ABSORBERS H1 –H2	120
SWING ARM/SHOCK ABSORBERS H3.....	122
TAILLIGHT KZ650-H1	124
TAILLIGHT KZ650-H2 - H3.....	126
TRANSMISSION H1 – H3	128
TURN SIGNALS H1 – H3	130
VALVES H1 – H3.....	132

KZ650CSR

ACCELERATOR PUMP KZ650-H1



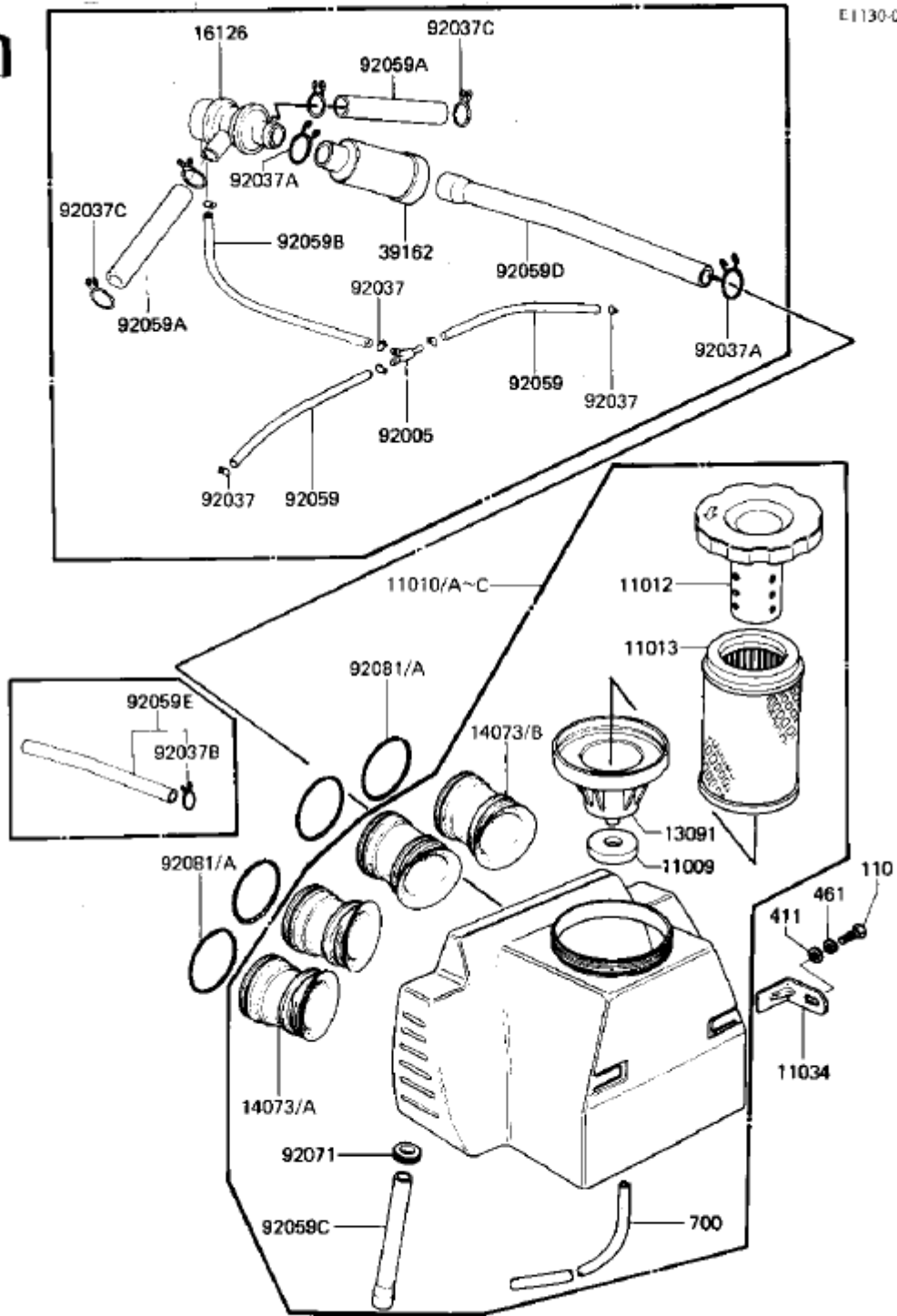
Ref #	Part #	Description	Qty	Spec #
11009	11009-1562	GASKET,FLOAT CHAMBER	4	US
13042	13042-1004	WEIGHT,PUMP,CHECK VLV	4	US
13236	13236-1014	PULLEY,THROTTLE CABLE	1	US
14025	14025-1139	COVER ASSY,PUMP	1	US
16001	16001-1402	CARBURETOR,LH,OUTSIDE	1	US
16001A	16001-1403	CARBURETOR,LH,INSIDE	1	US
16001B	16001-1404	CARBURETOR,RH,INSIDE	1	US
16001C	16001-1405	CARBURETOR,RH,OUTSIDE	1	US
43028	43028-1012	DIAPHRAGM,PUMP	1	US
46102	46102-1007	ROD ASSY,PUMP	1	US
92015	92015-1075	NUT,PUMP ROD	1	US
92022	92022-1138	WASHER,PUMP ROD	2	US
92037	92037-1123	CLAMP,SPRING,CHECK VL	4	US
92037A	92037-1124	CLAMP,TUBE	6	US
92037B	92037-173	CLAMP,OVERFLOW HOSE	2	US
92055	92055-1059	"O" RING,CHECK VALVE	4	US
92059	92059-1071	TUBE,3.5X7.5X64.5	1	US
92059A	92059-1072	TUBE,3.5X7.5X47.5	2	US
92059B	92059-134	HOSE,FUEL OVERFLOW	2	US
92081	92081-1138	SPRING,PUMP ROD	1	US
92081A	92081-1139	SPRING,PUMP DIAPHRAGM	1	US
92140	92140-1003	BALL,STEEL,CHECK VALV	4	US
220	220B0412	SCREW-PAN-CRSOSS,4X12	4	US
461	461F0600	WASHER SPRING 6MM	4	US
550	550D1006	COTTER PIN,1.0X6	1	US

KZ63

Air Cleaner H1-H2



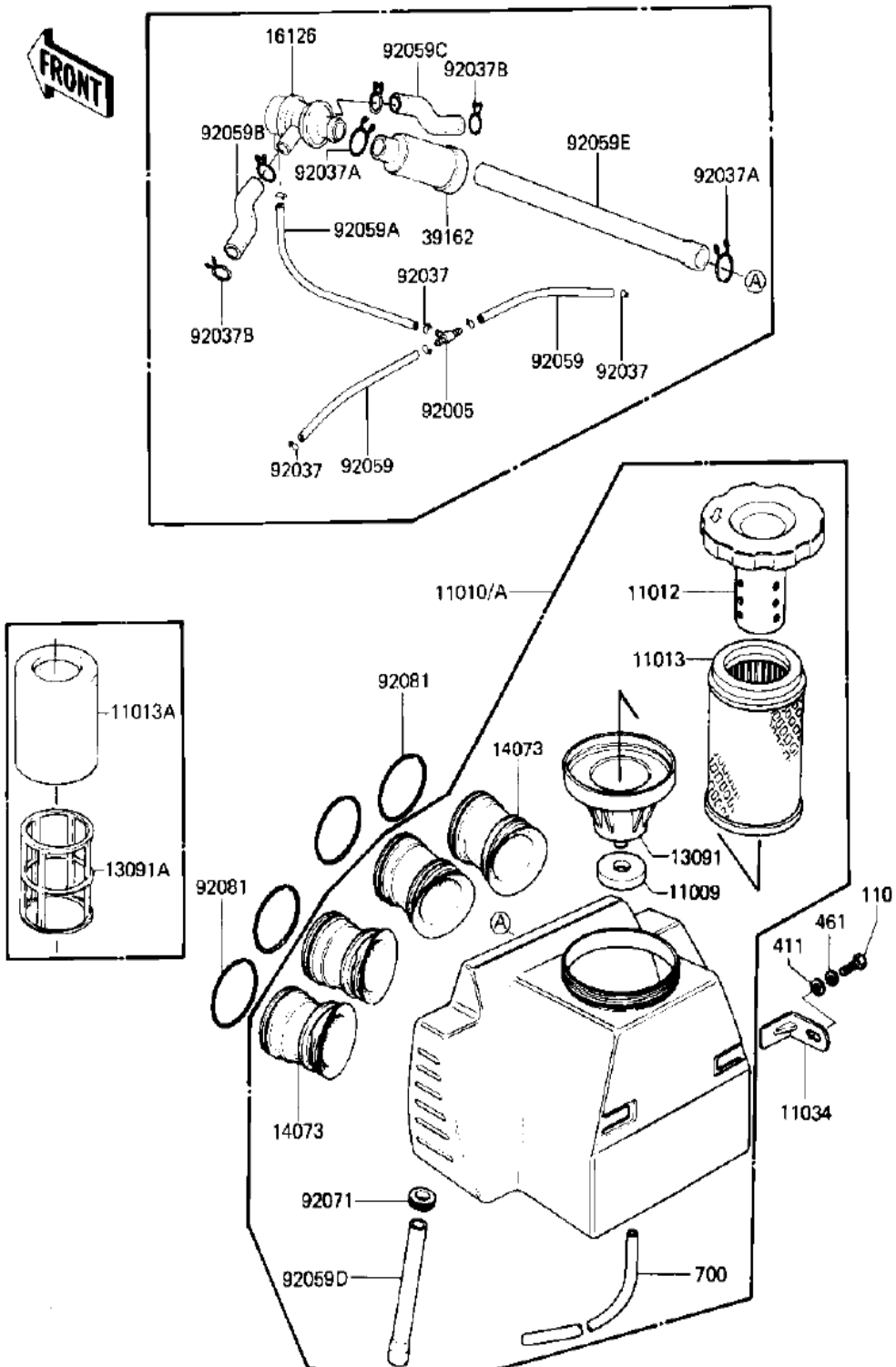
E1130-0047



Ref #	Part #	Description	Qty	Spec #
11009	11039-003	GASKET,HOLDER	1	
11010	11010-1069	FILTER-ASSY-AIR	1	US
11010A	11010-1070	*** N.L.A.*** (Canada)	1	CN
11010B	11010-1137	FILTER-ASSY-AIR	1	US
11010C	11010-1120	*** N.L.A.*** (Canada)	1	CN
11012	11012-069	CAP,AIR CLEANER	1	
11013	11013-1025	ELEMENT,AIR CLNR	1	
11034	32070-038	BRACKET,AIR CLEANER	2	
13091	11033-006	HOLDER,INLET PIPE	1	
14073	14073-1032	INLET DUCT	4	
14073A	14073-1052	DUCT,AIR FILTER,LH	2	
14073B	14073-1053	DUCT,AIR FILTER,RH	2	
16126	16126-1005	VALVE ASSY,AIR SWITCH	1	US
39162	39162-1003	SILENCER	1	US
92005	92005-1017	FITTING,TUBE	1	US
92037	92037-072	CLAMP-PIPE	6	US
92037A	92037-1076	CLAMP	2	US
92037B	92037-1235	CLAMP,TUBE (Canada)	1	CN
92037C	92037-213	CLAMP,BREATHER TUBE	4	US
92059	92059-1162	TUBE,VACUUM,LONG	2	US
92059A	92059-1042	TUBE,14X20X100	2	US
92059B	92059-1043	TUBE,4X9X290	1	US
92059C	92059-1137	TUBE,11X26X135	1	
92059D	92059-1138	TUBE,14X20X290	1	US
92059E	92059-1159	TUBE,4.5X8X390,W/JET (Canada)	1	CN
92071	92071-1027	GROMMET	1	
92081	92081-047	SPRING COIL	4	
92081A	92081-1177	SPRING	4	
110	112G0612	BOLT-UPSET,6X12	2	
411	411B0600	WASHER PLAIN 6MM	2	
461	461F0600	WASHER SPRING 6MM	2	
700	700Q06200	TUBE,VINYL,6X200	1	

Air Cleaner H3

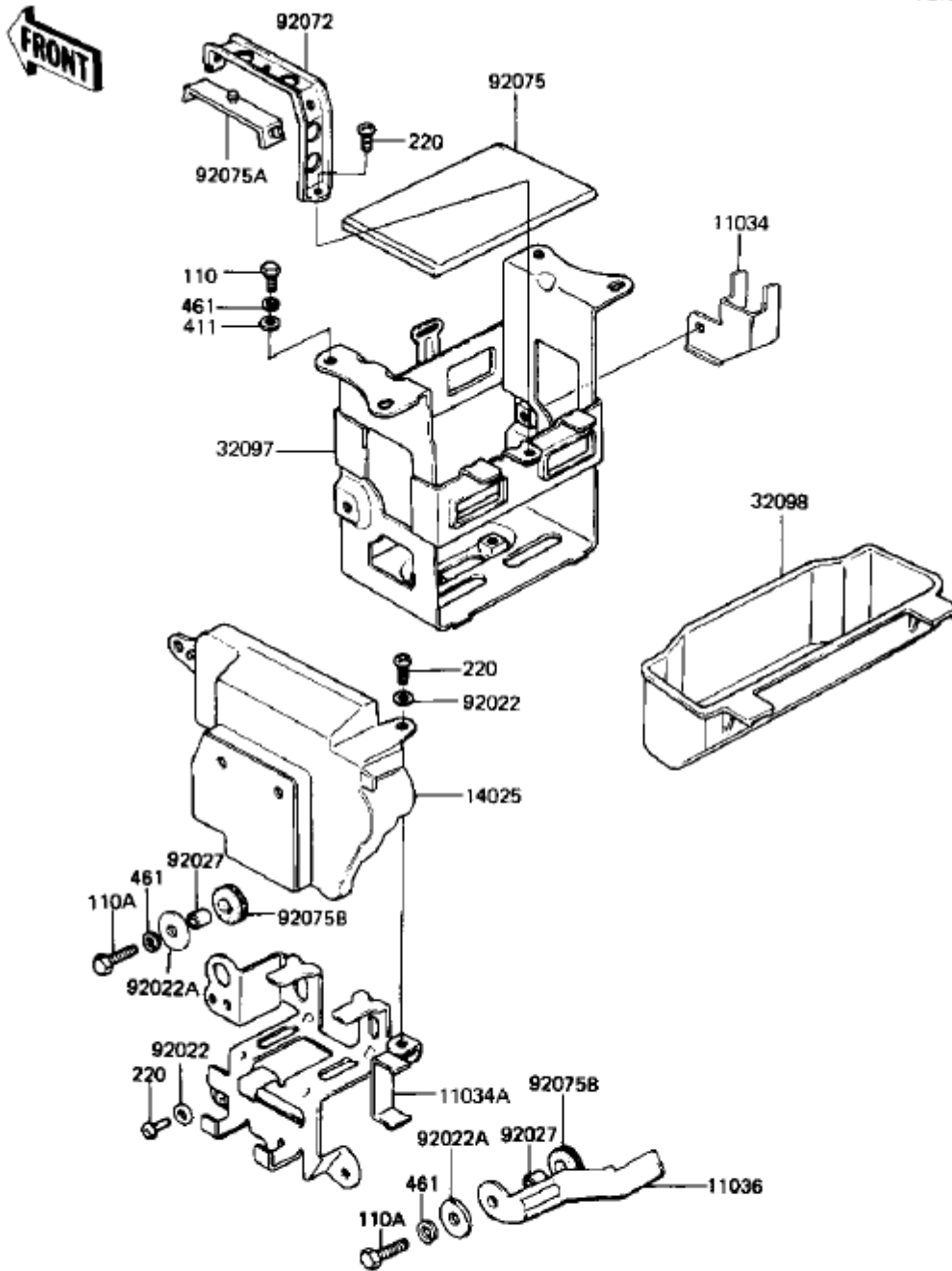
E1130-0095



Ref #	Part #	Description	Qty	Spec #
11009	11039-003	GASKET,HOLDER	1	
11010	11010-1137	FILTER-ASSY-AIR	1	US
11010A	11010-1155	FILTER-ASSY-AIR (Canada)	1	CN
11012	11012-069	CAP,AIR CLEANER	1	
11013	11013-1025	ELEMENT,AIR CLNR	1	US
11013A	11013-1060	ELEMENT,AIR CLNR	1	CN
11034	32070-038	BRACKET,AIR CLEANER	2	
13091	11033-006	HOLDER,INLET PIPE	1	
13091A	13091-1147	HOLDER,ELEMENT	1	CN
14073	14073-1032	INLET DUCT	4	
16126	16126-1005	VALVE ASSY,AIR SWITCH	1	US
39162	39162-1003	SILENCER	1	US
92005	92005-1017	FITTING,TUBE	1	US
92037	92037-072	CLAMP-PIPE	6	US
92037A	92037-1076	CLAMP	2	US
92037B	92037-213	CLAMP,BREATHER TUBE	4	US
92059	92059-1162	TUBE,VACUUM,LONG	2	US
92059A	92059-1043	TUBE,4X9X290	1	US
92059B	92059-1065	TUBE	1	US
92059C	92059-1066	TUBE	1	US
92059D	92059-1137	TUBE,11X26X135	1	
92059E	92059-1138	TUBE,14X20X290	1	US
92071	92071-1027	GROMMET	1	
92081	92081-1177	SPRING	4	
110	112G0612	BOLT-UPSET,6X12	2	
411	411B0600	WASHER PLAIN 6MM	2	
461	461F0600	WASHER SPRING 6MM	2	
700	700Q06200	TUBE,VINYL,6X200	1	

Battery Case/Tool case H1-H2

F2132-0041



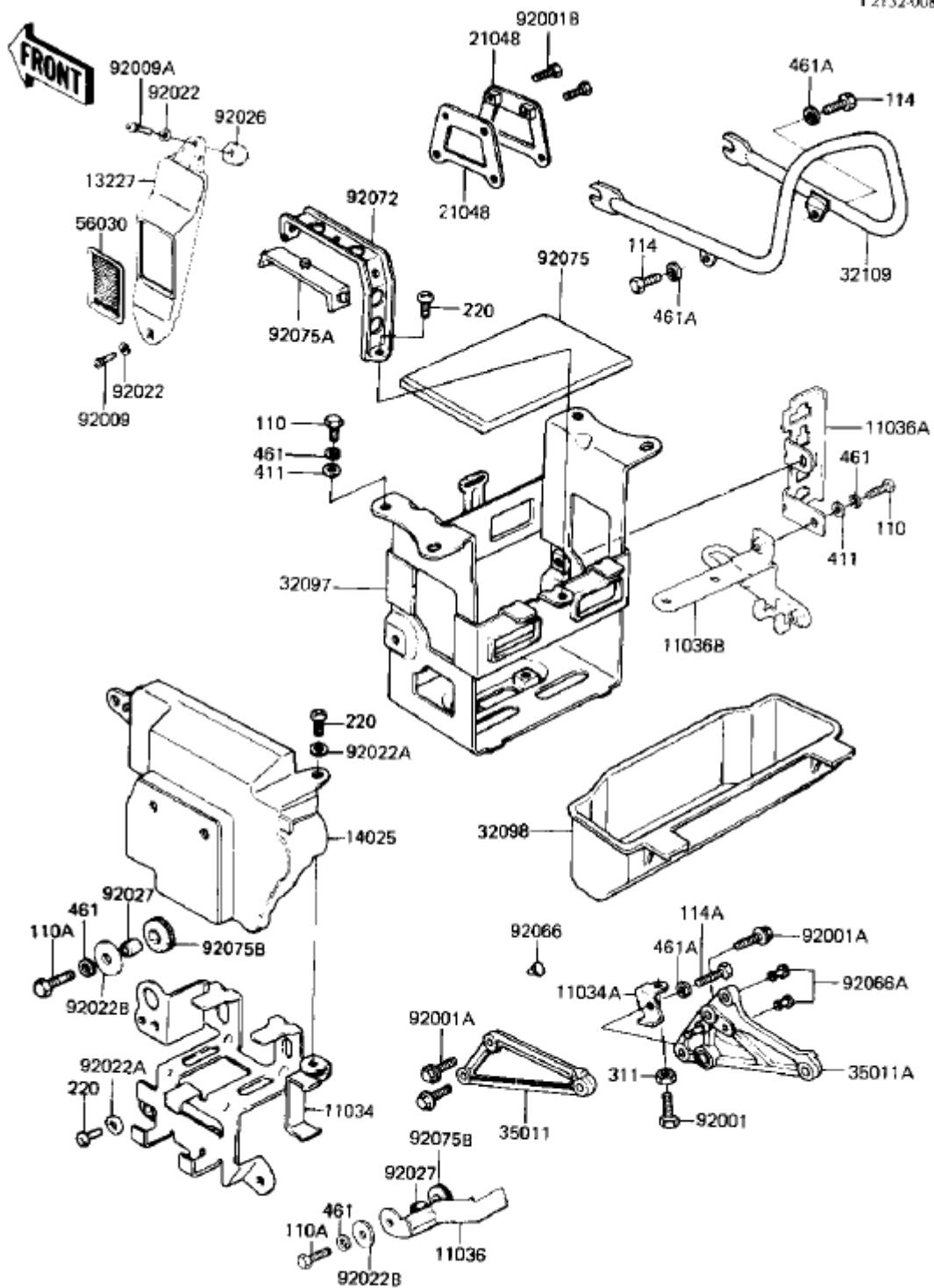
I

Ref #	Part #	Description	Qty	Spec #
11034	11034-1158	BRACKET,SWITCH	1	
11034A	11034-1669	BRACKET,ELECTRO BASE	1	
11036	11036-1043	BRACKET-A,FUSE	1	
14025	14025-1191	COVER,ELECTRO BASE	1	
32097	32097-1026	CASE,BATTERY	1	
32098	32098-1011	CASE,TOOL	1	
92022	92022-024	WASHER PLAIN	2	
92022A	92022-228	WASHER,PLAIN,7MM	2	
92027	92027-291	COLLAR-CLAMP	2	
92072	92072-1019	BAND,BATTERY	1	
92075	92075-1076	DAMPER,BATTERY BASE	1	
92075A	92075-1113	DAMPER,BATTERY BAND	1	
92075B	92075-317	DAMPER	2	
110	112G0612	BOLT-UPSET,6X12	4	
110A	112G0625	BOLT-UPSET	2	
220	220B0612	SCREW PAN HEAD 6X12	3	
411	411B0600	WASHER PLAIN 6MM	4	
461	461F0600	WASHER SPRING 6MM	6	

KZ650CSR

Battery Case H3

Γ2132-0083

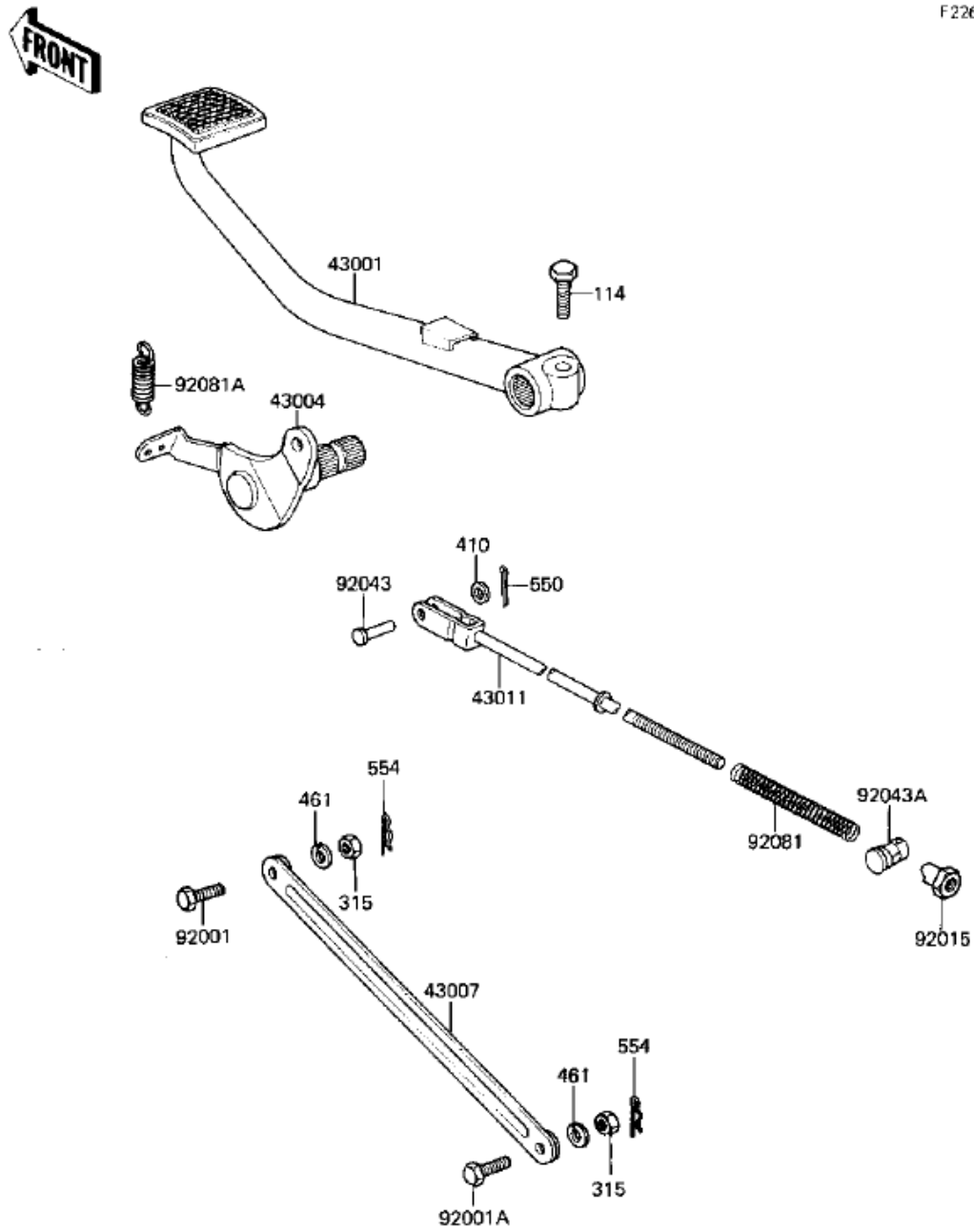


I

Ref #	Part #	Description	Qty	Spec #
11034	11034-1669	BRACKET,ELECTRO BASE	1	
11034A	11034-1824	BRACKET,BRAKE PEDAL	1	
11036	11036-1043	BRACKET-A,FUSE	1	
11036A	11036-1475	BRACKET-A,COUPLER	1	
11036B	11036-1662	BRACKET-A,SWITCH	1	
13227	13227-1001	HOUSING,LABEL	2	
14025	14025-1191	COVER,ELECTRO BASE	1	
21048	21048-1001	PLATE,IGNITION COIL	2	
32097	32097-1026	CASE,BATTERY	1	
32098	32098-1011	CASE,TOOL	1	
32109	32109-1016	GRIP,FRAME	1	
35011	35011-1080	STAY,MUFFLER,LH	1	
35011A	35011-1081	STAY,MUFFLER,RH	1	
56030	56030-1006	LABEL	2	
92001	92001-1090	BOLT,HEX HEAD,6X25	1	
92001A	92001-1095	BOLT,8X28	3	
92001B	92001-137	BOLT,HEX HEAD,6MM	4	
92009	92009-1099	SCREW,5X16,BLACK	2	
92009A	92009-1100	SCREW,PAN HEAD,5X30	2	
92022	25009-004	WASHER,5.2X16X16X1.2T	4	
92022A	92022-024	WASHER PLAIN	2	
92022B	92022-228	WASHER,PLAIN,7MM	2	
92026	92026-1077	SCREW,5.2X23X13	2	
92027	92027-291	COLLAR-CLAMP	2	
92066	92066-1077	PLUG,9.5X8	1	
92066A	92066-1080	PLUG,RUBBER	2	
92072	92072-1019	BAND,BATTERY	1	
92075	92075-1076	DAMPER,BATTERY BASE	1	
92075A	92075-1113	DAMPER,BATTERY BAND	1	
92075B	92075-317	DAMPER	2	
110	112G0612	BOLT-UPSET,6X12	5	
110A	112G0625	BOLT-UPSET	2	
114	115B0822	BOLT-SMALL-UPSET,8X22	2	
114A	115G0835	BOLT,SMALL UPSET	1	
220	220B0612	SCREW PAN HEAD 6X12	3	
311	311B0600	NUT 6MM	1	
114	411B0600	WASHER PLAIN 6MM	5	
461	461F0600	WASHER SPRING 6MM	7	
461A	461F0800	WASHER SPRING 8MM	3	

BRAKE PEDAL/TORQUE LINK H1-H3

F2260-0018



I

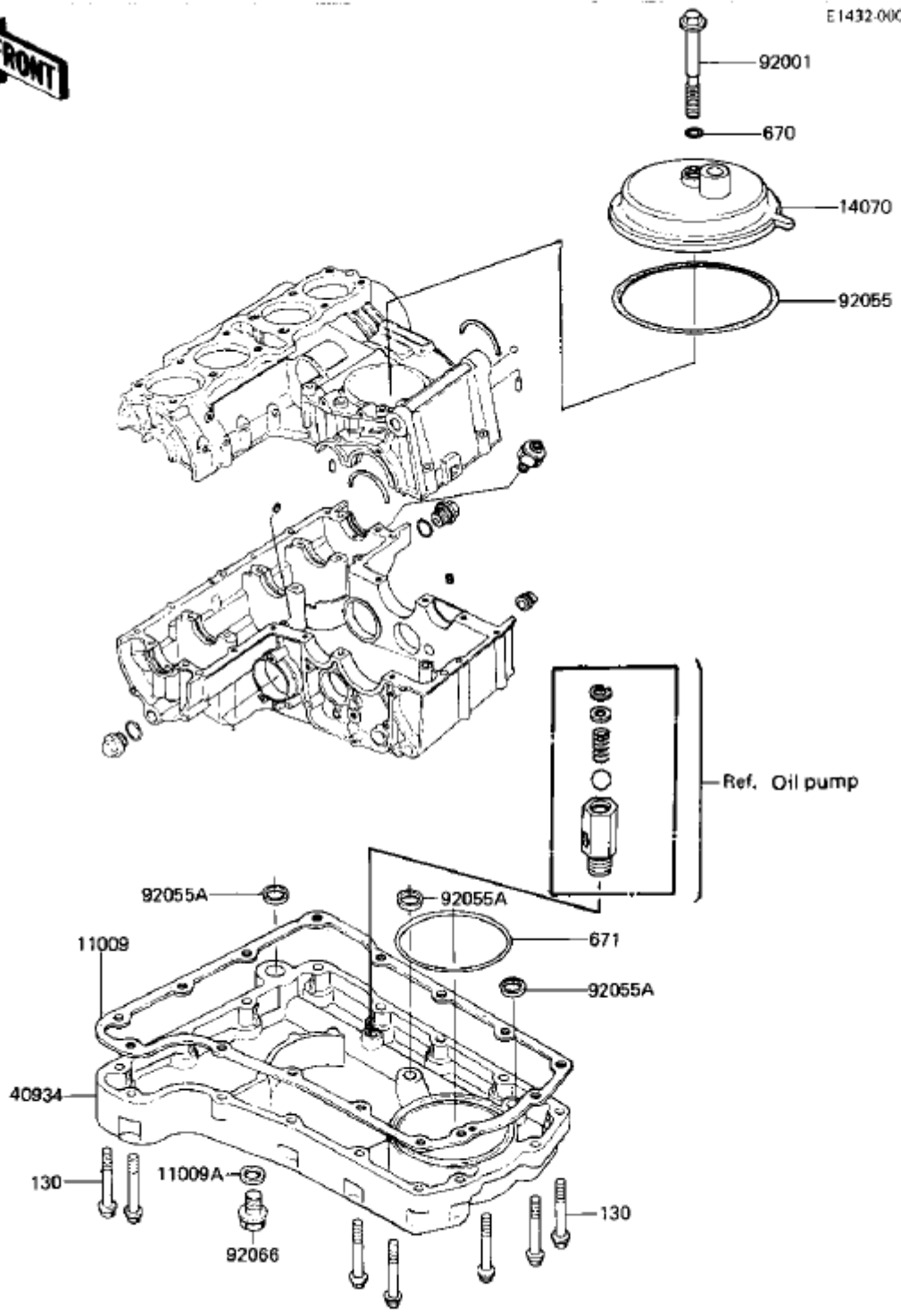
Ref #	Part #	Description	Qty	Spec #
43001	43001-1059	LEVER-BRAKE,PEDAL	1	
43004	43004-1021	SHAFT-BRAKE	1	
43007	43007-016	TORQUE LINK REAR BRK	1	
43011	43011-1031	ROD-BRAKE	1	
92001	92001-1450	BOLT,10X25	1	
92001A	92003-034	BOLT HEX HEAD 10MM	1	
92015	92015-042	NUT-BRAKE ROD ADJUST	1	
92043	92043-064	PIN-BRAKE ROD FITTING	1	
92043A	92043-065	PIN-BRAKE ROD	1	
92081	43012-001	SPRING,BRAKE ROD	1	
92081A	92081-1147	SPRING,BRAKE PEDAL	1	
114	115G0825	BOLT-SMALL-UPSET 8X25	1	
315	315B1000	NUT 10MM	2	
410	410B0600	WASHER PLAIN 6MM	1	
461	461F1000	WASHER SPRING 10MM	2	
550	550D2015	PIN COTTER 2.0X15	1	
554	554A0800	PIN,SNAP	2	

KZ650CSR

BREATHER COVER/OIL PAN H1-H3



E1432-0006



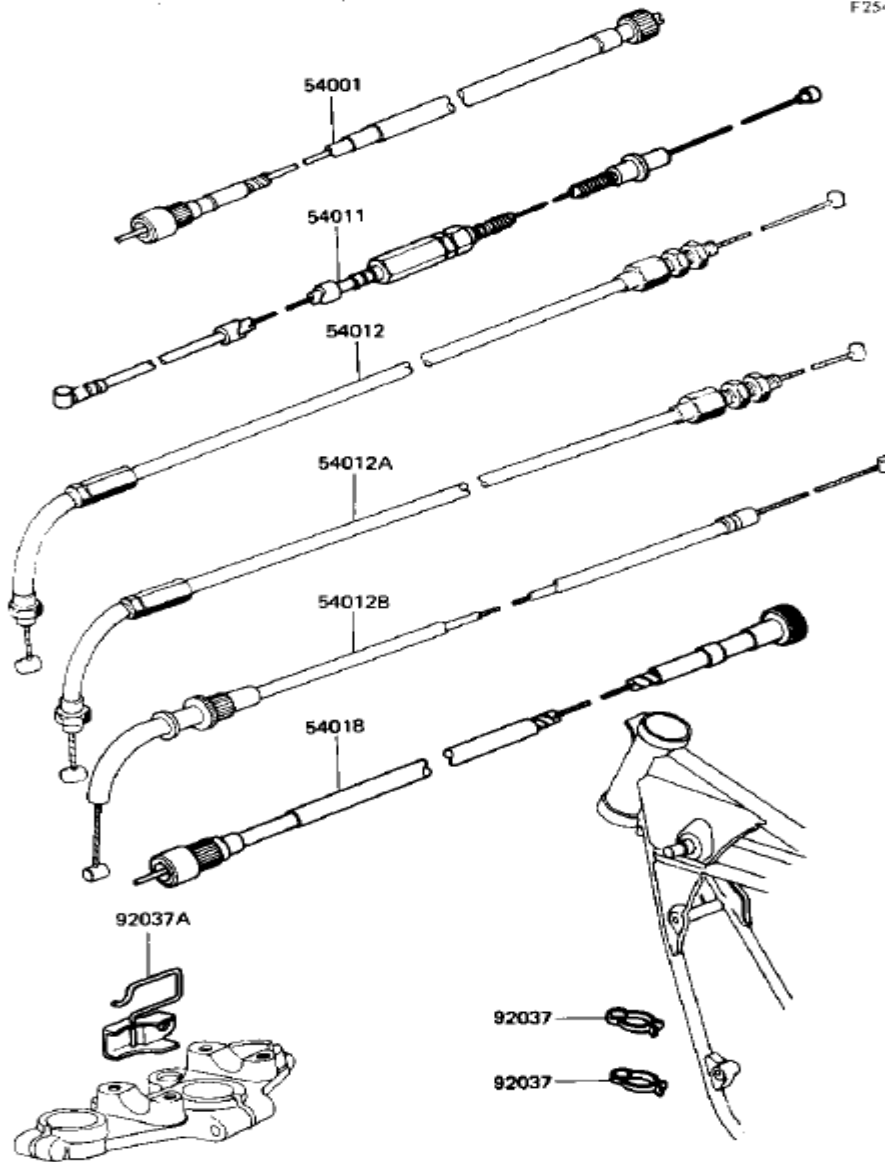
I

Ref #	Part #	Description	Qty	Spec #
11009	11009-1983	GASKET,OIL PAN	1	
11009A	92065-097	GASKET,DRIN PLUG	1	
14070	14070-1008	BODY-BREATHER	1	
49034	49034-5011	PAN-OIL	1	
92001	92003-107	BOLT,HEX HEAD,8X72	1	
92055	92055-052	"O" RING,91MM	1	
92055A	92055-077	"O" RING	3	
92066	92066-1174	PLUG,OIL DRAIN,12X15	1	
130	130G0625	BOLT,FLANGED,6X25	15	
670	670B1508	"O" RING,8MM	1	
671	671B2590	"O" RING,90MM	1	

KZ650CSR

Cables H1-H3

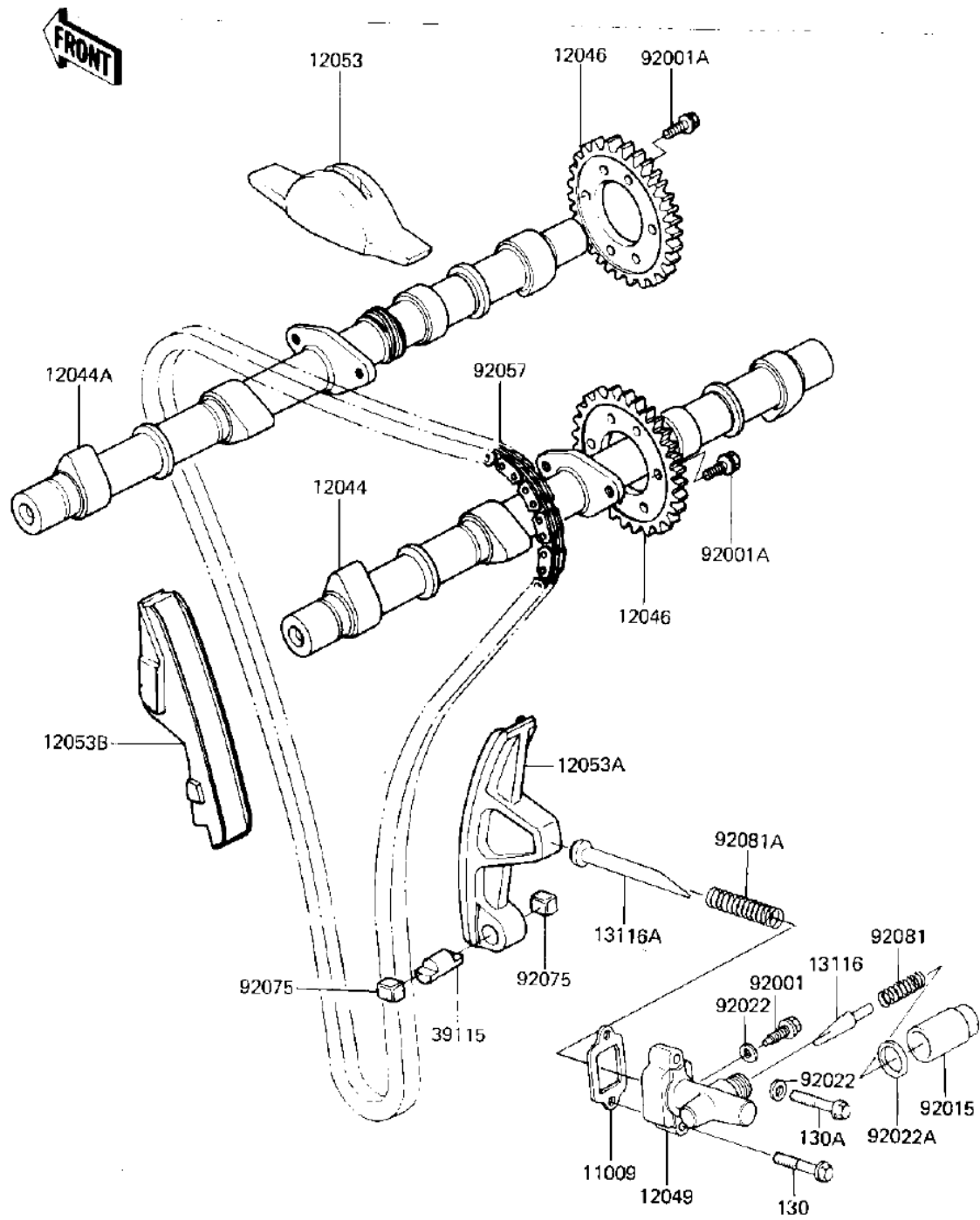
F2540-0063



I

Ref #	Part #	Description	Qty	Spec #
54001	54001-1029	CABLE,SPEEDOMETER	1	
54011	54011-1140	CABLE-CLUTCH	1	
54012	54012-1012	CABLE,THROTTLE,OPEN	1	
54012A	54012-1013	CABLE,THROTTLE,CLOSE	1	
54012B	54012-1103	CABLE-THROTTLE	1	
54018	54018-1003	CABLE,TACHOMETER	1	
92037	92037-093	CLAMP,CABLE	2	
92037A	92037-1189	CLAMP,THROTTLE CABLE	1	

CAMSHAFT/CHAIN/TENSIONER H1-H3



1
1
1
1
1
1
1
3
9
9
9
9
9
9
9
9

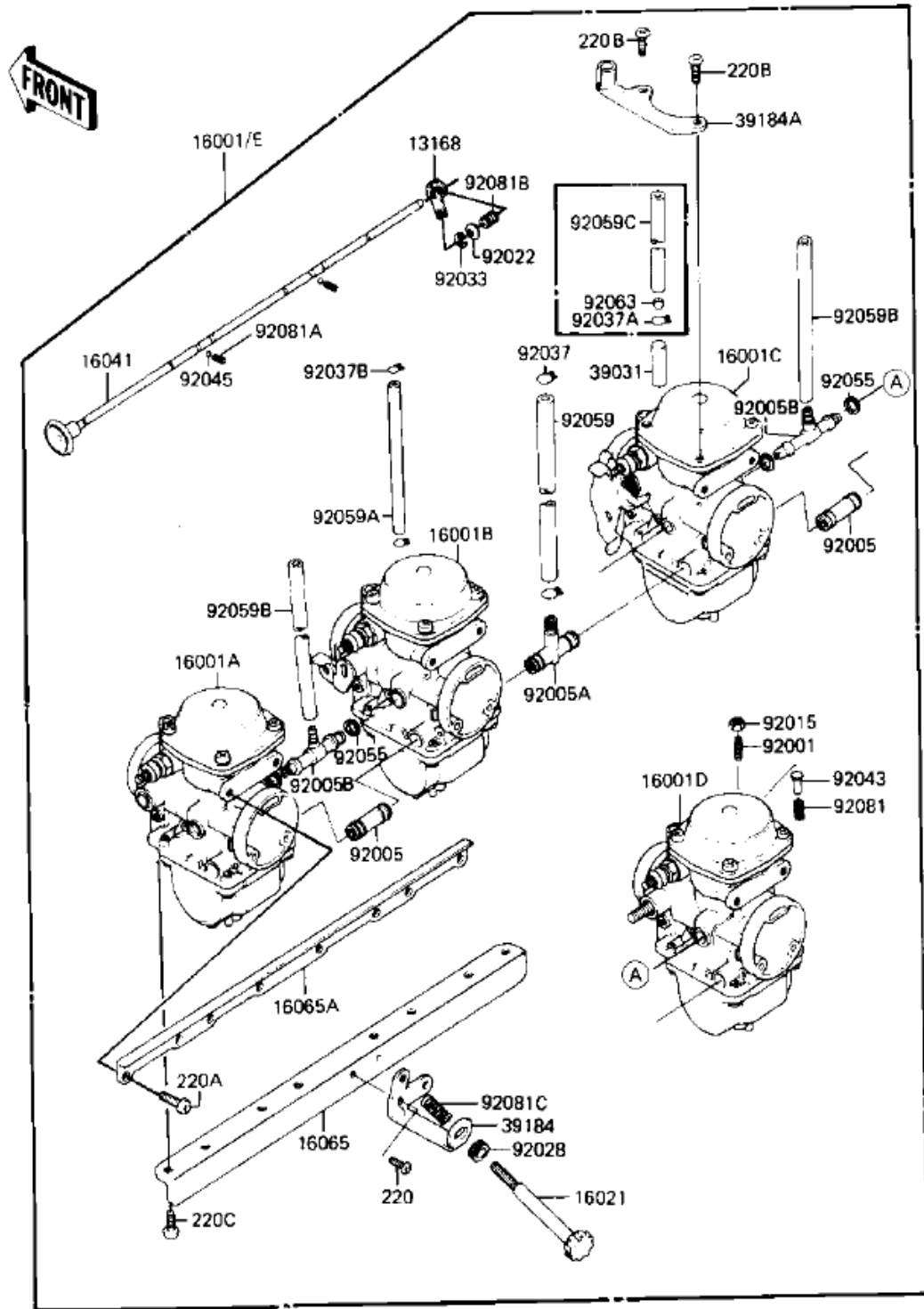
I

Ref #	Part #	Description	Qty	Spec #
11009	11009-1980	GASKET,TENSIONER	1	
12044	12044-012	CAM SHAFT,INLET	1	
12044A	12044-013	CAM SHAFT,EXHAUST	1	
12046	12046-1021	SPROCKET,CAMSHAFT 46T	2	
12049	12049-1015	TENSIONER,CAM CHAIN	1	
12053	12053-1038	GUIDE,CHAIN UPPER	1	
12053A	12053-1054	GUIDE-CHAIN REAR	1	
12053B	12053-1058	GUIDE-CHAIN,FR	1	
13116	13116-1012	ROD,PUSH,CAM CHAIN	1	
13116A	13116-1036	ROD-PUSH,TENSIONER	1	
39115	12052-003	SHAFT,CAM CHAIN GUIDE	1	
92001	92001-1155	BELT,TENSIONER ADJUST	1	
92001A	92003-208	BOLT,SPROCKET FITTING	4	
92015	92015-1100	CAP,TENSIONER,18M/M	1	
92022	92022-077	WASHER OIL PUMP BANJO	2	
92022A	92022-1175	WASHER,18.3X24X1.4T	1	
92057	92057-1319	CHAIN,CAM,82RH2015-15	1	
92075	92075-1314	DAMPER,CAM CHAIN GUID	2	
92081	92081-1302	SPRING,TENSIONER	1	
92081A	92081-1374	SPRING,TENSIONER	1	
130	130G0630	BOLT,FLANGED,6X30	1	
130A	130H0635	BOLT,FLANGED,6X35	1	

KZ650C3

CARBURETOR ASSY 83 H3

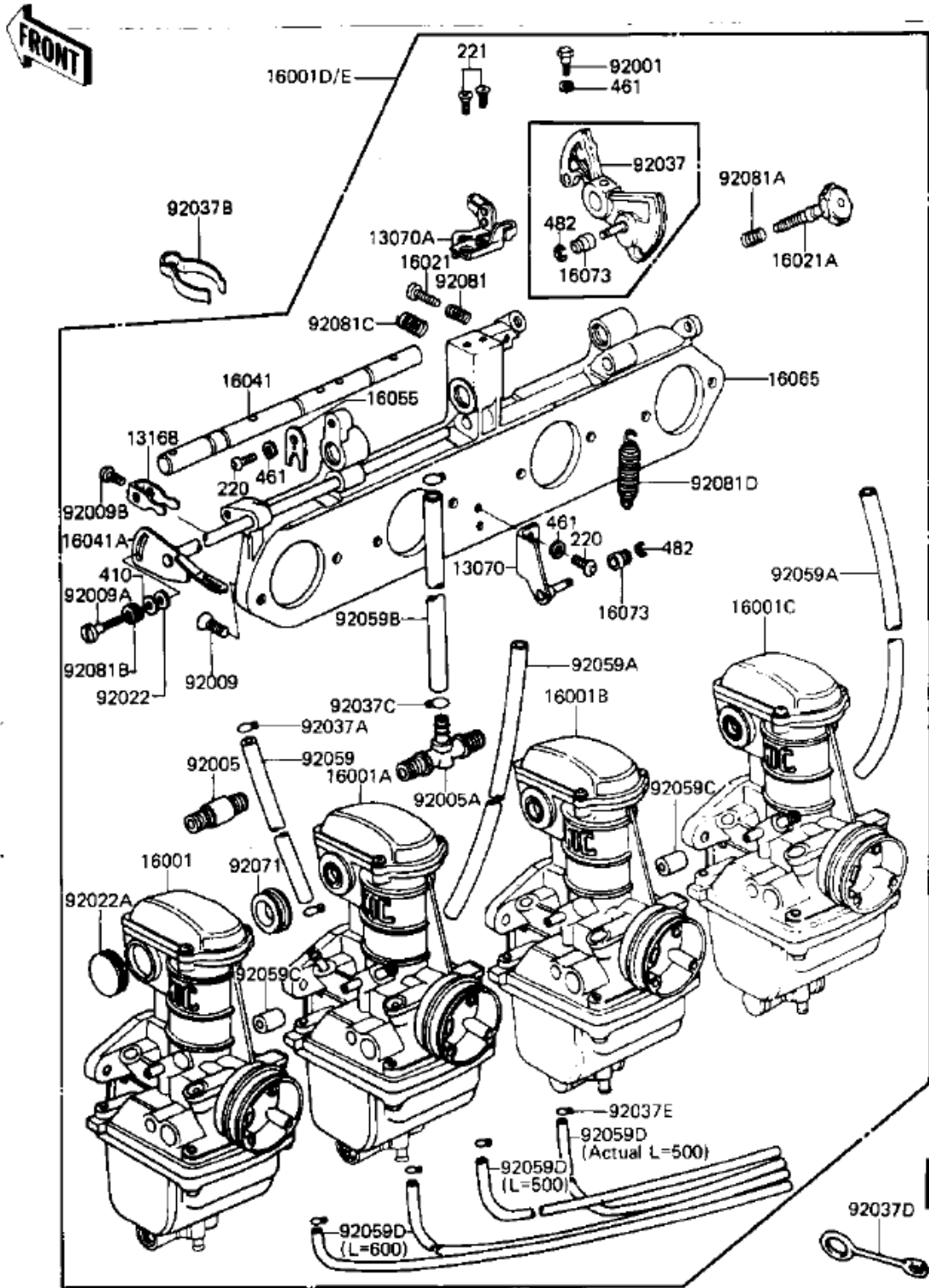
E1611-0091



I

Ref #	Part #	Description	Qty	Spec #
13168	13168-1091	LEVER,CHOCK	4	
16001	16001-1479	CARBURETOR	1	US
16001A	16001-1481	CARBURETOR,LH,OUTSIDE	1	US
16001B	16001-1482	CARBURETOR,LH,INSIDE	1	US
16001C	16001-1483	CARBURETOR,RH,INSIDE	1	US
16001D	16001-1484	CARBURETOR,RH,OUTSIDE	1	US
16001E	16001-1654	CARBURETOR ASSY ALL (Canada)	1	CN
16021	16021-1035	SCREW-THROTTLE STOP	1	
16041	16041-1024	SHAFT-CARBURETOR,CHOC	1	
16065	16065-1043	HOLDER-CARBURETOR,LWR	1	
16065A	16065-1044	HOLDER-CARBURETOR,UPP	1	
39031	39031-1009	CAP-END	1	US
39031	39031-1009	CAP-END	2	US
39184	39184-1007	BRACKET-ASSY,IDLING A	1	
39184A	39184-1009	BRACKET-ASSY,THROTTLE	1	
92001	92001-1447	BOLT,ADJUSTING	3	
92005	92005-1035	FITTING,FUEL	2	
92005A	92005-1036	FITTING,FUEL	1	
92005B	92005-1045	FITTING,AIR VENT	2	
92015	92015-1119	NUT,THROTTLE VLV ADST	3	
92022	92022-1255	WASHER,SPRING	4	
92028	92028-1071	BUSHING	1	
92033	92033-1066	RING-SNAP,E	4	
92037	92037-1184	CLAMP,HOSE	2	
92037A	92037-1235	CLAMP,TUBE (Canada)	1	CN
92037B	92037-174	CLAMP,BREATHER HOSE	2	
92043	92043-1079	PIN,THROTTLE VALVE	3	
92045	600A0400	BALL,STEEL,1/8"	2	
92055	92055-510	"0" RING	4	
92059	92059-1123	TUBE,7.5X12.5X225	1	
92059A	92059-1188	TUBE,5X9X150	1	
92059B	92059-1203	TUBE,6.5X9.5X300	2	
92059C	92059-1204	TUBE,4.5X8X200 (Canada)	1	CN
92063	92063-1097	JET-MAIN (Canada)	1	CN
92081	92081-1259	SPRING,THROTTLE VALVE	3	
92081A	92081-1260	SPRING,FAST IDLE SHFT	2	
92081B	92081-1364	SPRING,CHOCK SHAFT	4	
92081C	92081-1377	SPRING,IDLING ADJUST	1	
220	220B0508	SCREW PAN HEAD 5X8	1	
220A	220B0510	SCREW PAN HEAD 5X10	8	
220B	220B0512	SCREW PAN HEAD 5X12	2	
220C	220B0614	SCREW PAN HEAD 6X14	8	

CARBURETOR ASSY KZ650-H1



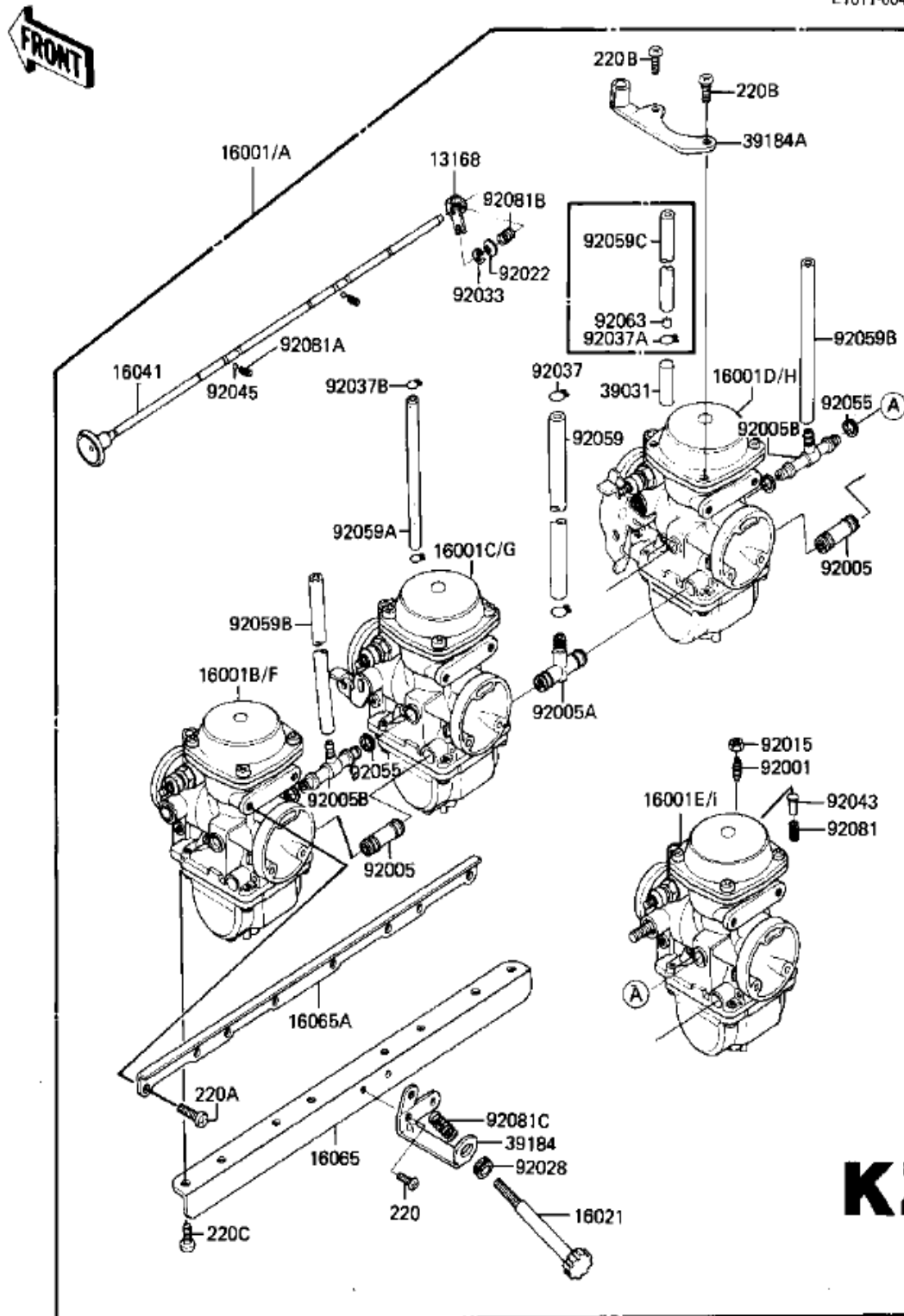
- 13
- 13
- 13
- 16
- 16
- 16
- 16
- 16
- 16
- 16
- 16
- 16
- 16
- 16
- 16
- 16
- 16
- 92
- 92
- 92
- 92
- 92
- 92
- 92
- 92
- 92
- 92
- 92
- 92

KZ

Ref #	Part #	Description	Qty	Spec #
13070	16077-016	BRACKET,THROTTLE CABL	1	
13070A	16077-017	BRACKET,THROTTLE CABL	1	
13168	13168-1026	LEVER,STARTER PLUNGER	4	
16001	16001-1070	CARBURETOR,L.H,OUT	1	CN
16001A	16001-1071	CARBURETOR,L.H,INSIDE	1	CN
16001B	16001-1072	CARBURETOR,R.H,INSIDE	1	CN
16001C	16001-1073	CARBURETOR,R.H,OUT	1	CN
16001D	16001-1401	CARBURETOR	1	US
16001E	16001-1417	16001-1480 (Canada)	1	CN
16021	16021-032	SCREW	1	
16021A	16021-1010	SCREW,THROTTLE STOP	1	
16041	16041-017	SHAFT,CARB CONNECTION	1	
16041A	16041-021	SHAFT,STARTER PLUNGER	1	
16055	16055-012	PLATE,SHAFT STOPPER	1	
16065	16065-049	HOLDER,CARBURETOR	1	
16073	16073-016	RING	1	US
92001	16067-006	BOLT,HEX HEAD,5X14	1	
92005	92005-1009	FITTING	2	
92005A	92005-1010	FITTING	1	
92009	16033-029	SCREW,6X14	8	
92009A	16046-005	SCREW	1	
92009B	16046-007	SCREW,PAN HEAD,5X7	4	
92022	16039-019	WASHER,PLAIN	1	
92022A	16039-042	CAP,RUBBER	2	
92037	16068-015	PULLEY,THROTTLE CABLE	1	CN
92037A	92037-072	CLAMP-PIPE	2	
92037B	92037-1092	CLAMP,AIR VENT HOSE	1	
92037C	92037-1184	CLAMP,HOSE	2	
92037D	92037-134	CLAMP,OVER FLOW PIPE	1	
92037E	92037-173	CLAMP,OVERFLOW HOSE	3	US
92037E	92037-173	CLAMP,OVERFLOW HOSE	4	US
92059	92059-1023	HOSE,FUEL TAP DIAPHRA	1	
92059A	92059-1045	HOSE,AIR VENT,5X8X250	2	
92059B	92059-1123	TUBE,7.5X12.5X225	1	
92059C	92059-141	HOSE,6X11.5X16	2	
92059D	92059-147	HOSE,FUEL OVERFLOW	3	US
92059D	92059-147	HOSE,FUEL OVERFLOW	4	US
92071	92071-104	GROMMET,CARBURETOR	6	
92081	16022-010	SPRING,THROTTLE ADJST	1	
92081A	16022-017	SPRING,THROTTLE STOP	1	
92081B	16040-009	SPRING,F	1	
92081C	16040-022	SPRING,CABLE PULLY	1	
92081D	92081-1394	SPRING,THROTTLE CABLE	1	
220	220B0514	SCREW-PAN-CROS	3	
221	221B0510A	SCREW CNTSNK HD 5X10	2	
410	410B0500	WASHER PLAIN 5MM	1	
461	461F0500	WASHER SPRING 5MM	4	
482	482K3000	CIRCLIP 3MM	1	US
482	482K3000	CIRCLIP 3MM	2	US

CARBURETOR ASSY KZ650-H2 – H3

E1611-0044



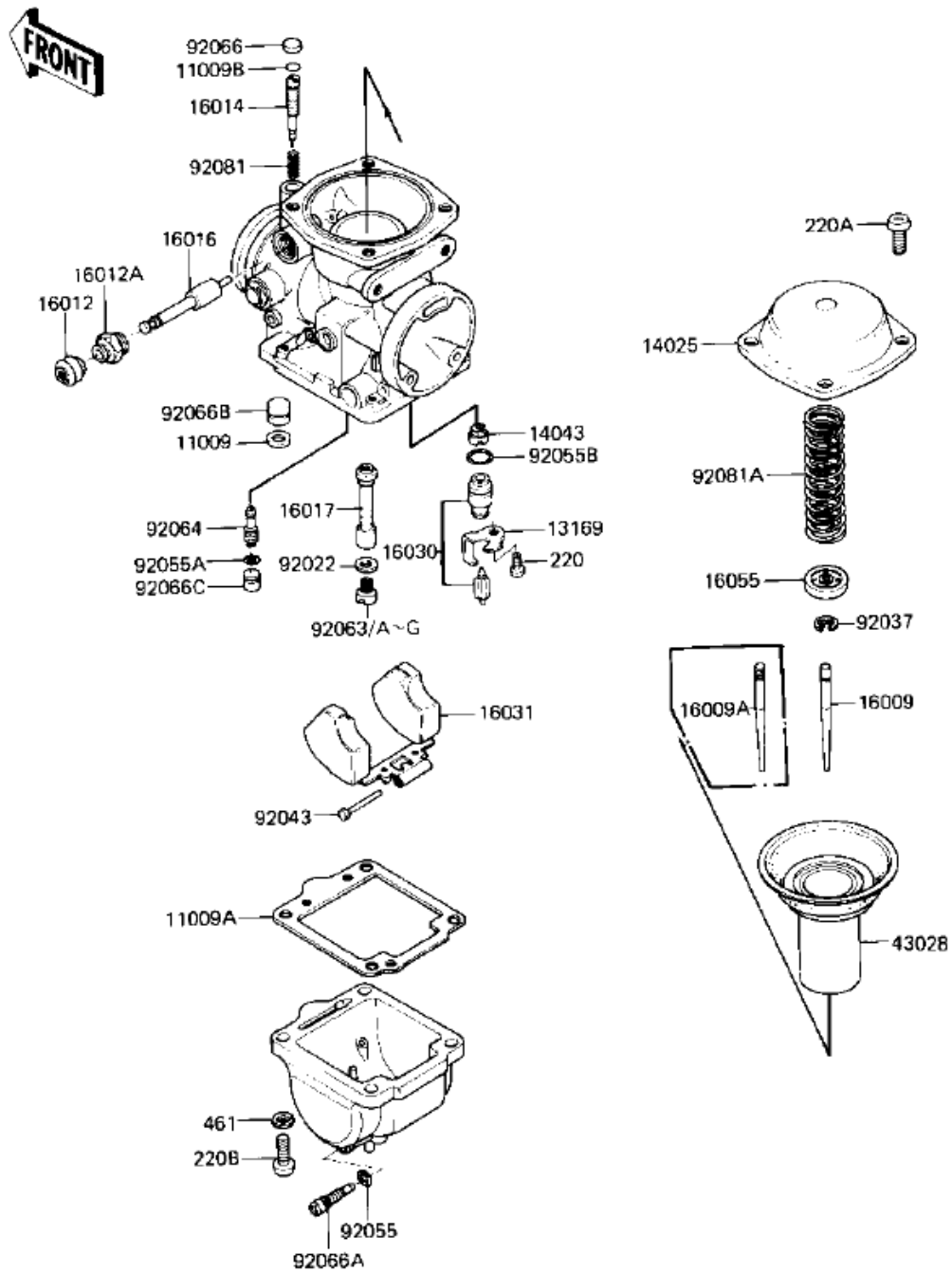
KZ65

I

Ref #	Part #	Description	Qty	Spec #
13168	13168-1091	LEVER,CHOCK	4	
16001	16001-1479	CARBURETOR	1	US
16001A	16001-1480	CARBURETOR (Canada)	1	CN
16001B	16001-1481	CARBURETOR,LH,OUTSIDE	1	US
16001C	16001-1482	CARBURETOR,LH,INSIDE	1	US
16001D	16001-1483	CARBURETOR,RH,INSIDE	1	US
16001E	16001-1484	CARBURETOR,RH,OUTSIDE	1	US
16001F	16001-1485	CARBURETOR,LH,OUTSIDE (Canada)	1	CN
16001G	16001-1486	CARBURETOR,LH,INSIDE (Canada)	1	CN
16001H	16001-1487	CARBURETOR,RH,INSIDE (Canada)	1	CN
16001I	16001-1488	CARBURETOR,RH,OUTSIDE (Canada)	1	CN
16021	16021-1035	SCREW-THROTTLE STOP	1	
16041	16041-1024	SHAFT-CARBURETOR,CHOC	1	
16065	16065-1043	HOLDER-CARBURETOR,LWR	1	
16065A	16065-1044	HOLDER-CARBURETOR,UPP	1	
39031	39031-1009	CAP-END	1	US
39031	39031-1009	CAP-END	2	US
39184	39184-1007	BRACKET-ASSY,IDLING A	1	
39184A	39184-1009	BRACKET-ASSY,THROTTLE	1	
92001	92001-1447	BOLT,ADJUSTING	3	
92005	92005-1035	FITTING,FUEL	2	
92005A	92005-1036	FITTING,FUEL	1	
92005B	92005-1045	FITTING,AIR VENT	2	
92015	92015-1119	NUT,THROTTLE VLV ADST	3	
92022	92022-1255	WASHER,SPRING	4	
92028	92028-1071	BUSHING	1	
92033	92033-1066	RING-SNAP,E	4	
92037	92037-1184	CLAMP,HOSE	2	
92037A	92037-1235	CLAMP,TUBE (Canada)	1	CN
92037B	92037-174	CLAMP,BREATHER HOSE	2	
92043	92043-1079	PIN,THROTTLE VALVE	3	
92045	600A0400	BALL,STEEL,1/8"	2	
92055	92055-510	"O" RING	4	
92059	92059-1123	TUBE,7.5X12.5X225	1	
92059A	92059-1188	TUBE,5X9X150	1	
92059B	92059-1203	TUBE,6.5X9.5X300	2	
92059C	92059-1204	TUBE,4.5X8X200 (Canada)	1	CN
92063	92063-1097	JET-MAIN (Canada)	1	CN
92081	92081-1259	SPRING,THROTTLE VALVE	3	
92081A	92081-1260	SPRING,FAST IDLE SHFT	2	
92081B	92081-1364	SPRING,CHOCK SHAFT	4	
92081C	92081-1377	SPRING,IDLING ADJUST	1	
220	220B0508	SCREW PAN HEAD 5X8	1	
220A	220B0510	SCREW PAN HEAD 5X10	8	
220B	220B0512	SCREW PAN HEAD 5X12	2	
220C	220B0614	SCREW PAN HEAD 6X14	8	

CARBURETOR PARTS H2-H3

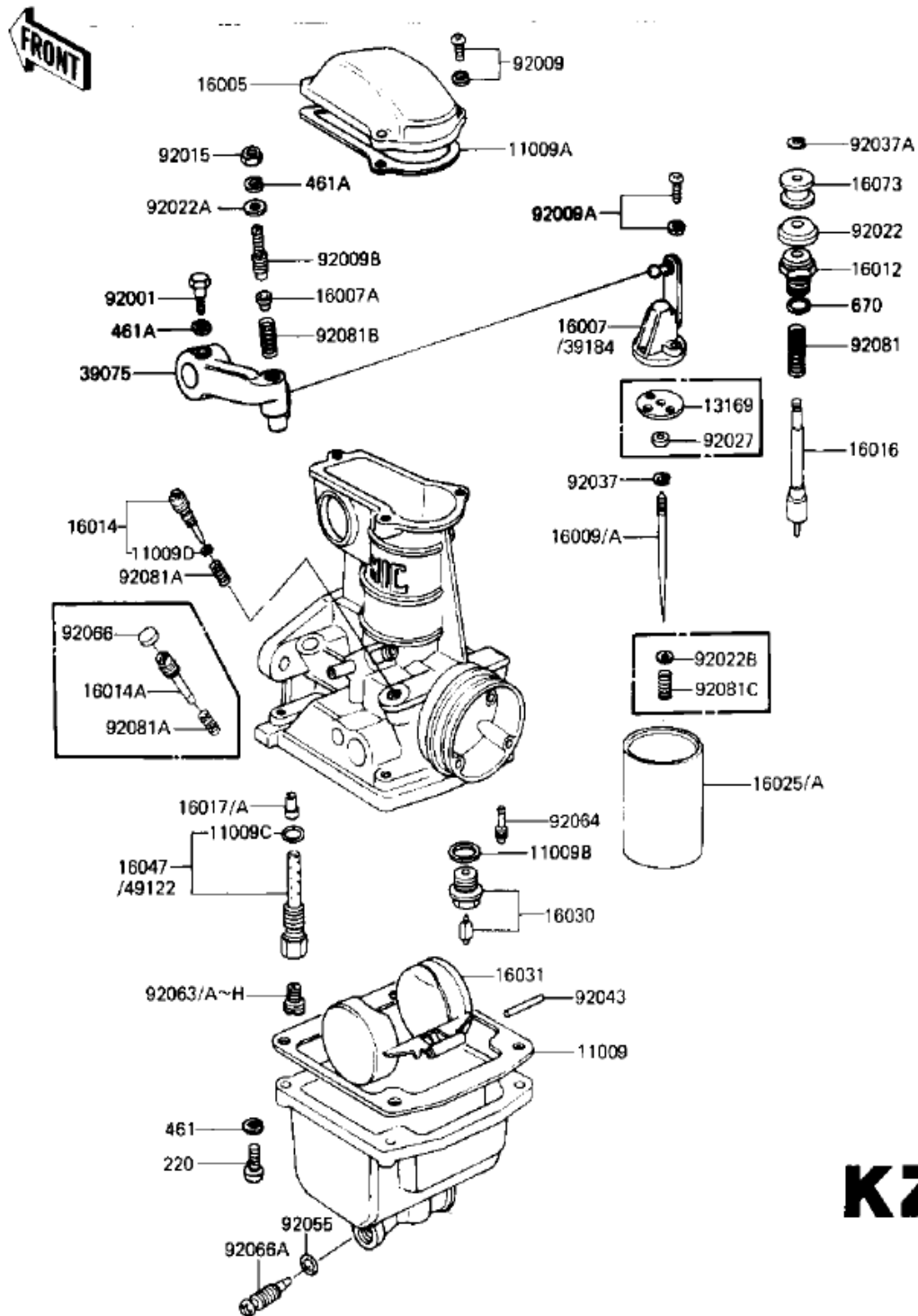
E:612.0025



I

Ref #	Part #	Description	Qty	Spec #
11009	11009-1240	GASKET,CARB. PLUG	4	
11009A	11009-1241	GASKET,FLOAT CHAMBER	4	
11009B	16038-022	"O" RING	4	
13169	13169-1482	PLATE	4	
14025	14025-1395	COVER	4	
14043	14043-1010	FILTER,FLOAT VALVE	4	
16009	16009-1098	NEEDLE-JET,4D30	4	US
16009A	16009-1099	NEEDLE-JET,4D31 (Canada)	4	CN
16012	16012-1010	CAP-STARTER PLUNGER	4	
16012A	16012-1011	CAP-STARTER PLUNGER	4	
16014	16014-1014	SCREW-PILOT AIR	4	
16016	16016-1019	PLUNGER	4	
16017	16017-1097	JET-NEEDLE,Y-7	4	
16030	16030-1018	VALVE-FLOAT,2.3	4	
16031	16031-1013	FLOAT	4	
16055	16055-010	PLATE,NEEDLE	4	
43028	43028-1027	DIAPHRAGM,VALVE	4	
92022	16034-001	WASHER MAIN JET	4	
92037	16008-014	CIRCLIP	4	
92043	16032-008	PIN,FLOAT	4	
92055	92055-044	"O" RING	4	
92055A	92055-1059	"O" RING,CHECK VALVE	4	
92055B	92055-1105	"O" RING	4	
92063	92063-076	JET-MAIN NO 115R	4	CN
92063A	92063-1028	MAIN JET,#A102.5	4	US
92063B	92063-1038	MAIN JET,#110R	4	CN
92063C	92063-1038	MAIN JET,#110R	4	US
92063D	92063-1041	JET-MAIN,#A107.5R	4	US
92063E	92063-1041	JET-MAIN,#A107.5R	4	CN
92063F	92063-1042	MAIN JET,#A105R	4	(RACING USE ONLY)
92063G	92063-1110	JET-MAIN,#A112.5	4	(RACING USE ONLY)
92064	92064-1036	JET-PILOT,#A37.5	4	
92066	92066-1051	PLUG,PILOT SCREW	4	US
92066A	92066-1064	SCREW,DRAIN	4	
92066B	92066-1086	PLUG,CARBURETOR	4	
92066C	92066-1087	PLUG,PILOT JET	4	
92081	16022-016	SPRING,PILOT SCREW	4	
92081A	92081-1415	SPRING,DIAPHRAGM VALV	4	
220	220B0406	SCREW PAN HEAD 4X6	4	
220A	220B0508	SCREW PAN HEAD 5X8	14	
220B	214B0516A	UNAVAILABLE IN PRICE BOOK	16	
461	461F0500	WASHER SPRING 5MM	16	

CARBURETOR PARTS '81 H1



KZ61

I

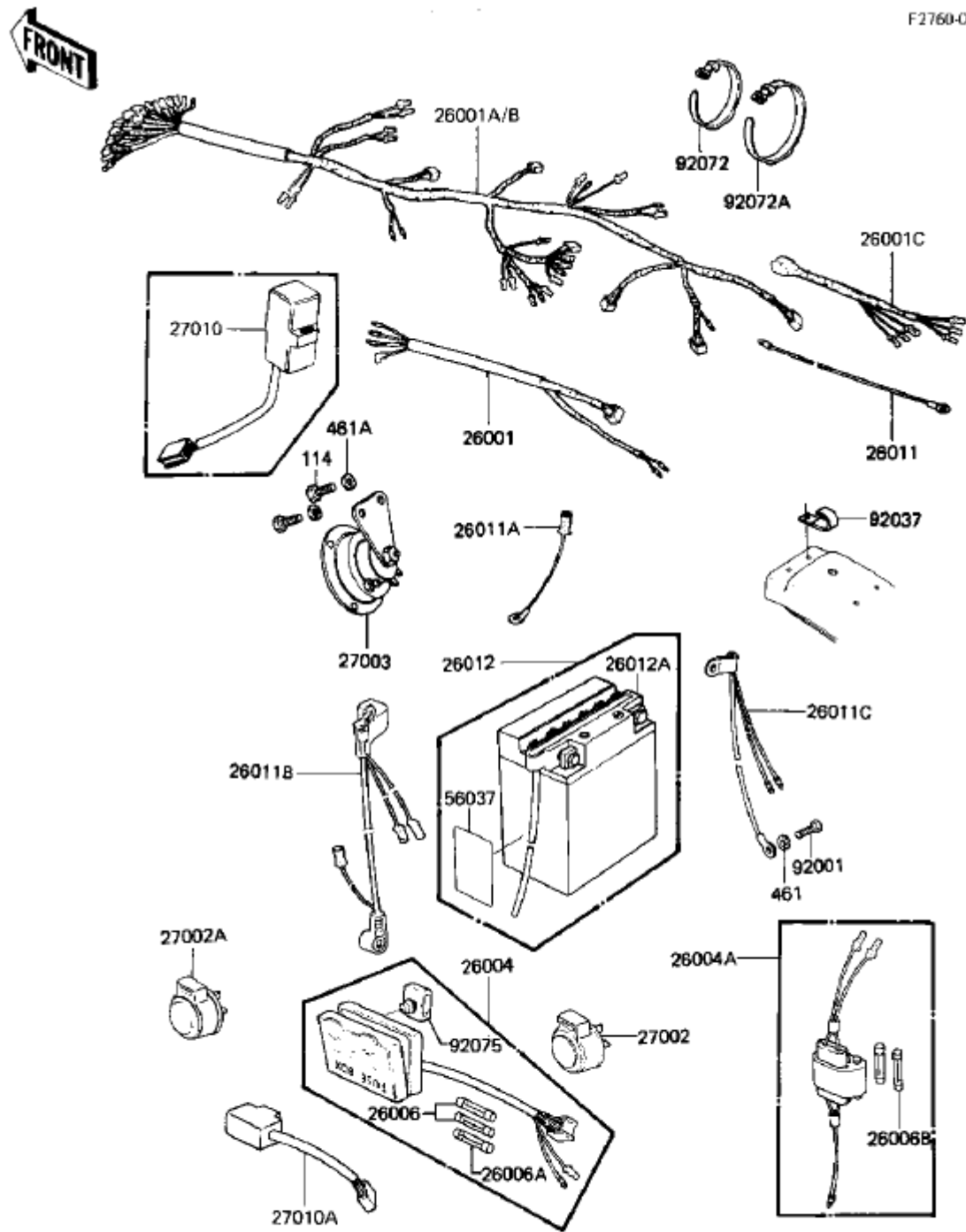
Ref #	Part #	Description	Qty	Spec #
11009	11009-1563	GASKET,FLOAT CHAMBER	4	CN
11009A	16019-031	GASKET,CHAMBER TOP	4	
11009B	16029-004	WASHER FLOAT VLV SEAT	4	
11009C	16038-016	"O" RING,MAIN JET COV	4	
11009D	16038-022	"O" RING	4	CN
13169	13169-1107	PLATE,JET NEEDLE	4	US
16005	16005-027	TOP,MIXING CHAMBER	4	
16007	16007-028	BRACKET,THROTTLE VALV	4	CN
16007A	16057-002	SEAT,SPRING	4	
16009	16009-1013	JET NEEDLE,5CN15	4	CN
16009A	16009-1048	JET NEEDLE,5CL30	4	US
16012	16012-015	CAP,STARTER PLUNGER	4	
16014	16014-1006	SCREW,AIR ADJUSTING	4	CN
16014A	16014-1020	SCREW,PILOT ADJUSTING	4	
16016	16016-021	PLUNGER,STARTER	4	
16017	16017-1021	NEEDLE JET,0-4	4	CN
16017A	16017-1034	NEEDLE JET,AO-5	4	US
16025	16025-1006	VALVE,THROTTLE	4	CN
16025A	16025-1025	VALVE,THROTTLE,CA1.75	4	US
16030	16030-1001	FLOAT VALVE ASSY	4	
16031	16031-031	FLOAT	4	
16047	16047-005	PIPE,BLEED	4	CN
16073	16073-014	COLLAR	4	
39075	39075-1001	LEVER,THROTTLE	4	
39184	39184-1001	BRACKET,THROTTLE VALV	4	US
49122	49122-1006	PIPE,BLEED	4	US
92001	16067-006	BOLT,HEX HEAD,5X14	4	
92009	223B0414	SCREW-PAN-WS-CROS	12	
92009A	16033-031	SCREW,PAN HEAD,3X14	8	
92009B	16046-012	SCREW,SLOTTED	4	
92015	16003-013	NUT,5MM	4	
92022	16039-015	CAP,STARTER PLUNGER	4	
92022A	16039-016	WASHER,PLAIN	4	
92022B	92022-1024	WASHER,THROTTLE VALVE	4	US
92027	92027-1103	RING,JET NEEDLE	4	US
92037	16008-010	CIRCLIP	4	
92037A	16076-003	CIRCLIP	4	
92043	16032-003	FLOAT PIN	4	
92055	92055-044	"O" RING	4	
92063	92063-1033	MAIN JET,#A100	4	CN
92063A	92063-1028	MAIN JET,#A102.5	4	CN
92063B	92063-1042	MAIN JET,#A105R	4	CN
92063C	92063-073	JET-MAIN NO 107.5R	4	CN
92063D	92063-094	MAIN JET NO 87.5R	4	US
92063E	92063-1029	MAIN JET,#A90R	4	US
92063F	92063-1031	MAIN JET,#A95	4	US
92063G	92063-1035	MAIN JET,#A97.5R	4	(RACING USE ONLY)
92063H	92063-1085	MAIN JET,#A92.5R	4	US
92064	92064-1018	PILOT JET,#A15	4	
92066	92066-1051	PLUG,PILOT SCREW	4	US

92066A	92066-1064	SCREW,DRAIN	4	
92081	16013-008	SPRING,STARTER PLUG	4	
92081A	16022-007	SPRING-THR STOP SCREW	4	
92081B	16040-026	SPRING	4	
92081C	92081-1072	SPRING,JET NEEDLE	4	US
220	220B0416	SCREW PAN HEAD 4X16	16	
461	461F0400	WASHER SPRING 4MM	16	
461A	461F0500	WASHER SPRING 5MM	8	
670	670B1509	"O" RING,9MM	4	

KZ650CSR

CHASSIS ELECTRICAL EQUIPMENT H1-H2

F2760-0085

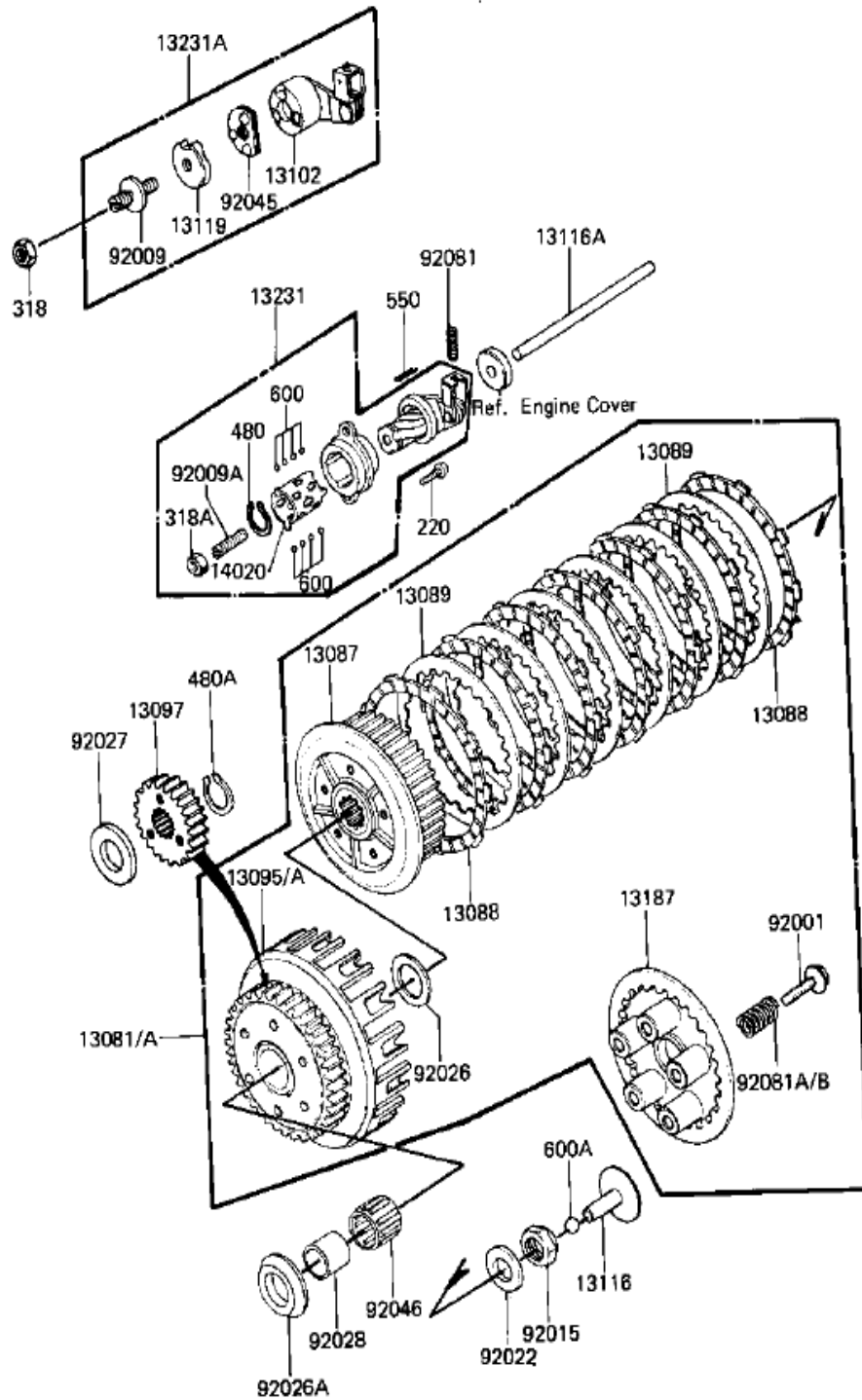


I

Ref #	Part #	Description	Qty	Spec #
26001	26001-1117	WIRING HARNESS,CENTER	1	
26001A	26001-1198	HARNESS,MAIN	1	
26001B	26001-1301	HARNESS,MAIN	1	
26001C	26002-063	WIRING HARNESS,REAR	1	
26004	26004-1006	FUSE ASSY	1	
26004A	26004-1014	FUSE-ASSY,ACCESSORY	1	
26006	26006-003	FUSE 10A	3	
26006A	26006-005	FUSE-20A	2	
26006B	26006-1002	FUSE,10A,L=30M/M	3	
26011	26011-063	LEAD WIRE,SIGNAL LAMP	2	
26011A	26011-1100	WIRE-LEAD,ACCESSORY G	1	
26011B	26011-1101	WIRE-LEAD,BATTERY	1	
26011C	26011-1102	WIRE-LEAD,BATTERY GRO	1	
26012	26012-1004	FB BAT FB12A-A	1	US
26012A	26012-1005	26012-1210 (Canada)	1	CN
27002	27002-011	RELAY-TURN SIGNAL	1	
27002A	27002-016	RELAY,TURN SIGNAL	1	
27003	27003-076	HORN	1	
27010	27010-1015	SWITCH,FUEL CHECK	1	
27010A	28019-001	SWITCH,OUTAGE,INDICTR	1	
56037	56040-1036	LABEL-WARNING,BATTERY	1	US
92001	92001-137	BOLT,HEX HEAD,6MM	1	
92037	92037-1069	CLAMP,WIRING HARNESS	2	
92072	92072-031	BAND,MIDDLE	5	
92072	92072-031	BAND,MIDDLE	1	
92072A	92072-056	BAND,WIRING HARNESS	4	
92075	92075-279	DAMPER RUBBER,FUSE	1	
114	115G0816	BOLT-SMALL-UPSET,8X16	2	
461	461F0600	WASHER SPRING 6MM	1	
461A	461F0800	WASHER SPRING 8MM	2	

Clutch H1-H2

E1350-0028

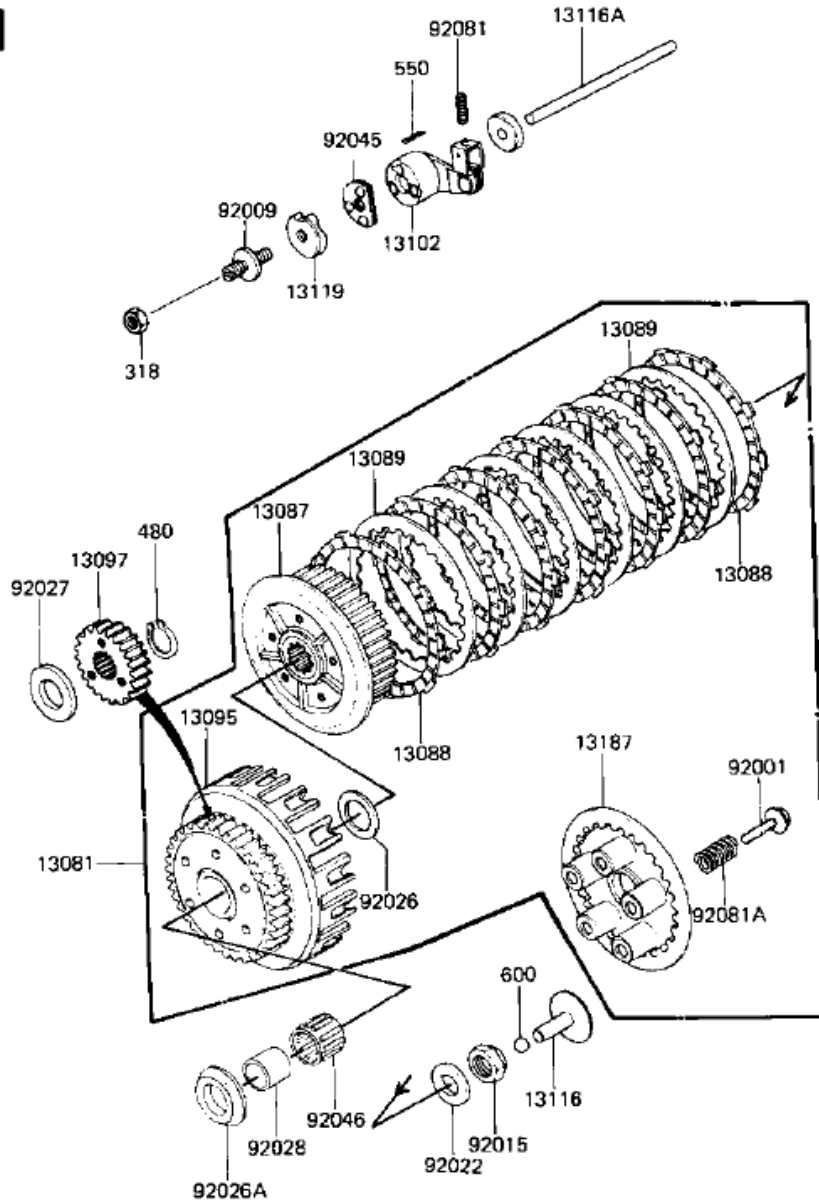


I

Ref #	Part #	Description	Qty	Spec #
13081	13081-1034	CLUTCH-ASSY	1	
13081A	13081-1043	CLUTCH-ASSY	1	
13087	13087-043	HUB,CLUTCH	1	
13088	13088-030	PLATE,CLUTCH FRICTION	7	
13089	13089-022	PLATE,CLUTCH STEEL	6	
13095	13095-1022	HOUSING,CLUTCH	1	
13095A	13095-1033	HOUSING,CLUTCH	1	
13097	13121-037	GEAR,2ND SHAFT,29T	1	
13102	13102-1008	RELEASE,CLUTCH	1	
13116	13116-022	PUSHER,CLUTCH SPRG PL	1	
13116A	13116-1007	ROD,CLUTCH PUSH	1	
13119	13119-1003	CAM,RELEASE,CLUTCH	1	
13187	13187-006	PLATE,CLUTCH SPRING	1	
13231	13231-020	RELEASE ASSY,CLUTCH	1	(-JKAKZEH1 CA012600)
14020	13197-004	RETAINER	1	
92001	92001-1066	BOLT,CLUTCH SPR FITT	5	
92009	92009-1009	SCREW,SLOTTED,8M/M	1	
92009A	92014-014	SCREW,SLOTTED,8X25	1	
92015	92015-1555	NUT,20MM	1	
92022	92022-1116	WASHER,PLAIN,2.3X20.3	1	
92026	92026-022	WASHER TH 25.5X47X2.5	1	
92026A	92026-116	SPACER,THRUST,T=5.5MM	1	
92027	92027-263	COLLAR,T=5MM	1	
92028	92028-178	BUSHING,CLUTCH	1	
92045	92045-1001	BEARING,BALL,CLUTCH	1	
92046	92046-028	BEARING,KTV323723	1	
92081	92081-069	SPRING-CLUTCH RELEASE	1	
92081A	92081-1033	SPRING,CLUTCH	5	
92081B	92081-1176	SPRING,CLUTCH	5	
220	220B0616	SCREW PAN HEAD 6X16	2	(- JKAKZEH1 CA012600)
318	318B0800	NUT HEX SMALL 8MM	1	
318A	318B0800	NUT HEX SMALL 8MM	1	(JKAKZEH1 CA012601 -)
480	480J1500	CIRCLIP 15MM	1	
480A	480J2200	CIRCLIP,22MM	1	
550	550D1615	PIN COTTER 1.6X15	1	
600	600A0400	BALL,STEEL,1/8"	11	
600A	600A1200	BALL STEEL 3/8'	1	

Clutch H3

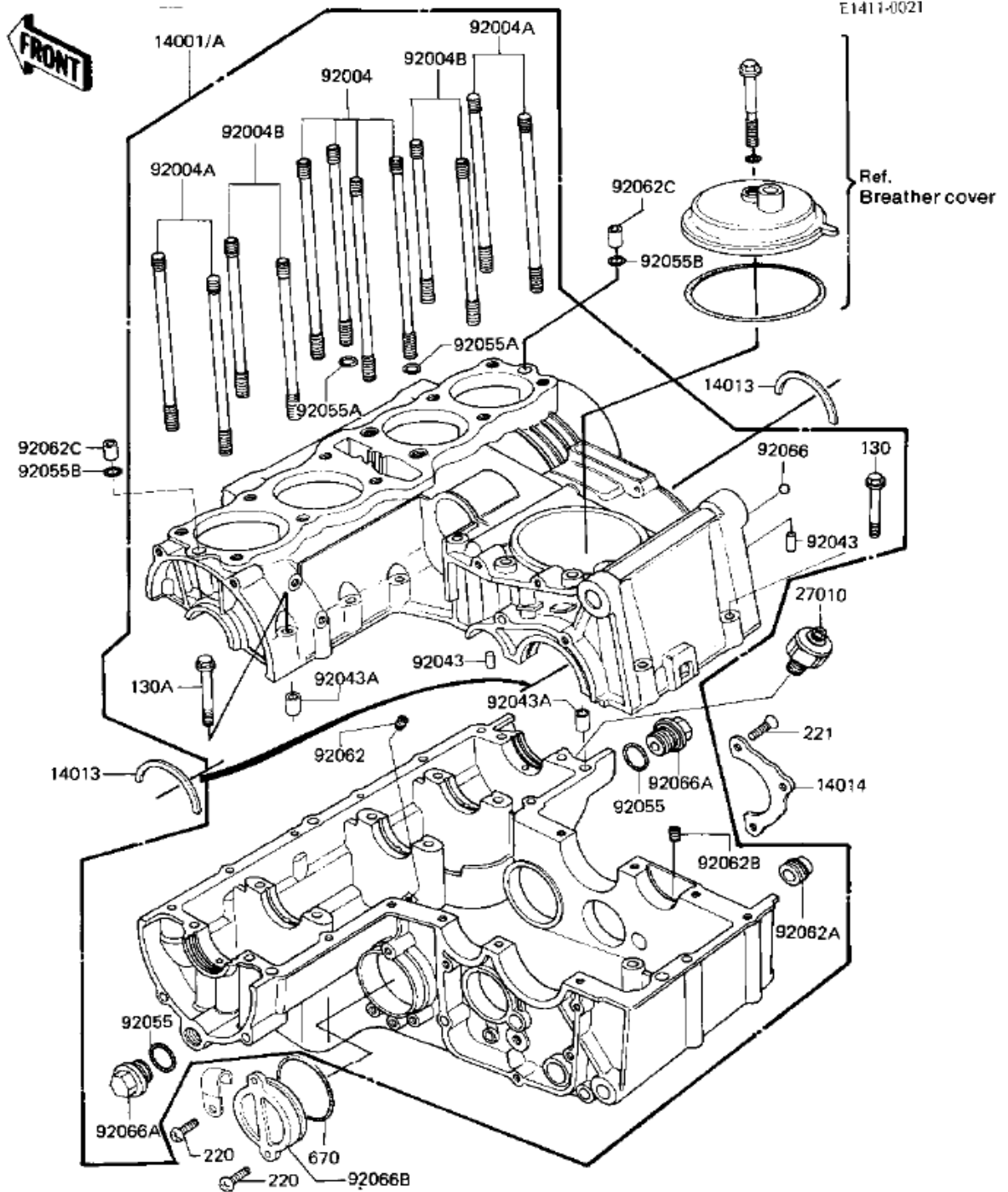
E1350-0048



I

Ref #	Part #	Description	Qty	Spec #
13081	13081-1034	CLUTCH-ASSY	1	
13087	13087-043	HUB,CLUTCH	1	
13088	13088-030	PLATE,CLUTCH FRICTION	7	
13089	13089-022	PLATE,CLUTCH STEEL	6	
13095	13095-1033	HOUSING,CLUTCH	1	
13097	13121-037	GEAR,2ND SHAFT,29T	1	
13102	13102-1008	RELEASE,CLUTCH	1	
13116	13116-022	PUSHER,CLUTCH SPRG PL	1	
13116A	13116-1007	ROD,CLUTCH PUSH	1	
13119	13119-1003	CAM,RELEASE,CLUTCH	1	
13187	13187-006	PLATE,CLUTCH SPRING	1	
92001	92001-1066	BOLT,CLUTCH SPR FITT	5	
92009	92009-1009	SCREW,SLOTTED,8M/M	1	
92015	92015-1555	NUT,20MM	1	
92022	92022-1116	WASHER,PLAIN,2.3X20.3	1	
92026	92026-022	WASHER TH 25.5X47X2.5	1	
92026A	92026-116	SPACER,THRUST,T=5.5MM	1	
92027	92027-263	COLLAR,T=5MM	1	
92028	92028-178	BUSHING,CLUTCH	1	
92045	92045-1001	BEARING,BALL,CLUTCH	1	
92046	92046-028	BEARING,KTV323723	1	
92081	92081-069	SPRING-CLUTCH RELEASE	1	
92081A	92081-1176	SPRING,CLUTCH	5	
318	318B0800	NUT 8MM	1	
480	480J2200	CIRCLIP,22MM	1	
550	550D1615	PIN COTTER 1.6X15	1	
600	600A1200	BALL STEEL 3/8"	1	

CRANKCASE H1 - H3



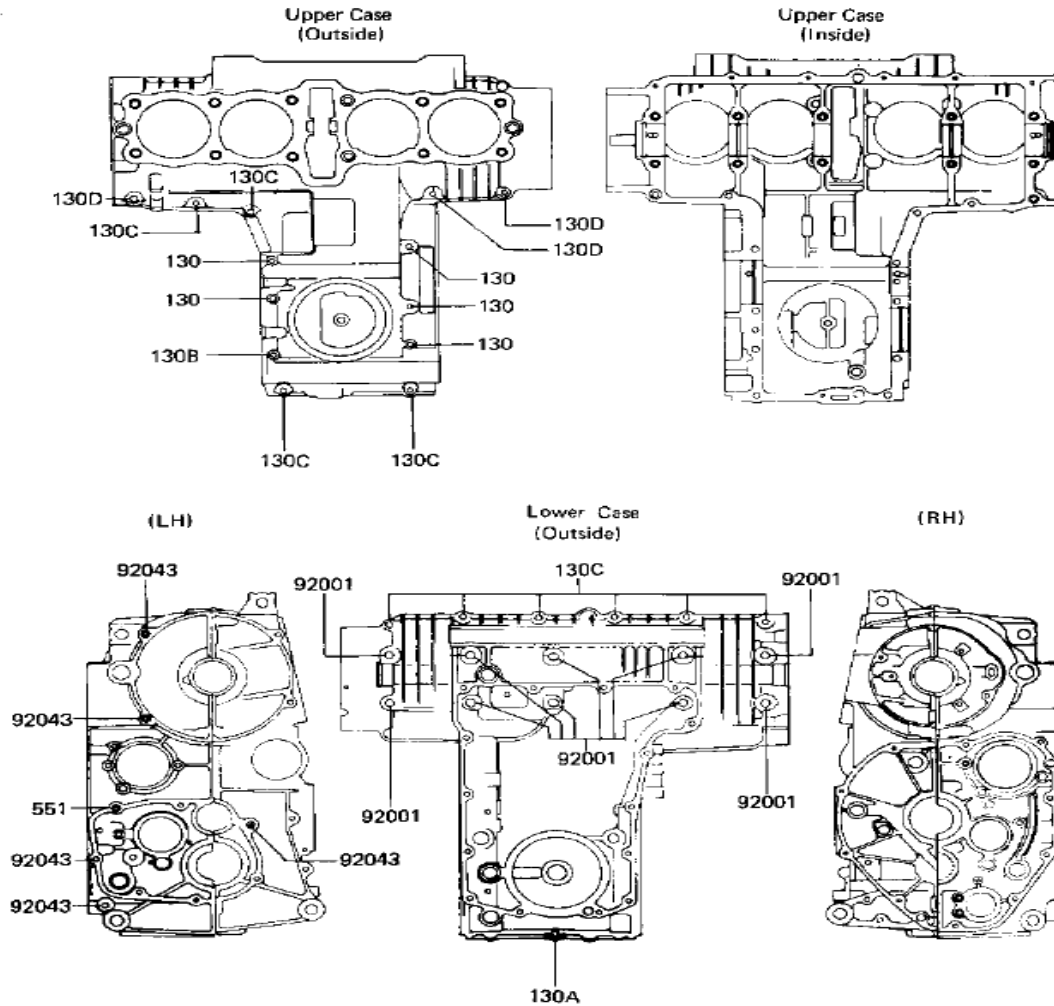
I

Ref #	Part #	Description	Qty	Spec #
14001	14001-5046	CRANKCASE SET	1	
14001A	14001-5091	SET-CRANKCASE	1	
14013	14013-004	RING BEARING SETTING	2	
14014	14014-1007	PLATE,POSITIONING	1	
27010	16144-006	SWITCH ASY,OIL PRSSUR	1	
92004	92004-062	STUD,10X153	4	
92004A	92004-1004	STUD,10X133	4	
92004B	92004-1007	STUD,10X116	4	
92043	92042-016	PIN DOWEL 6MM	2	
92043A	92043-1037	PIN,DOWEL,10X8.2X14	2	
92055	92055-1146	RING-O	2	
92055A	92055-099	"O" RING,8.8MM	2	
92055B	670D2010	O RING	2	
92062	92062-011	NOZZLE,OIL BIAS	1	
92062A	92062-014	NOZZLE	1	
92062B	92062-015	NOZZLE	1	
92062C	92062-016	NOZZLE	2	
92066	92066-057	PLUG	1	
92066A	92066-066	PLUG	2	
92066B	92066-1019	PLUG,SECONDARY SHAFT	1	
130	130G0640	BOLT,FLANGED,6X40	1	
130A	130G0650	BOLT-FLANGED,6X50	2	
220	220B0620	SCREW PAN HEAD 6X20	2	
221	221B0620	SCREW CNTSNK HD 6X20	1	
670	670B3046	"O" RING,46MM	1	

KZ63

CRANKCASE BOLT & STUD PATTERN H1-H3

E1412-0002



I

Ref #	Part #	Description	Qty	Spec #
92001	130P0895	BOLT-FLANGED,8X95	10	
92043	92042-007	PIN-DOWEL	5	
130	130G06100	BOLT-FLANGED,6X100	5	
130A	130G06105	BOLT-FLANGED,6X105	1	
130B	130G06115	BOLT-FLANGED,6X115	1	
130C	130G0640	BOLT,FLANGED,6X40	9	
130D	130G0650	BOLT-FLANGED,6X50	1	
551	551A0614	PIN,DOWEL,6X14	1	

H1 – H2

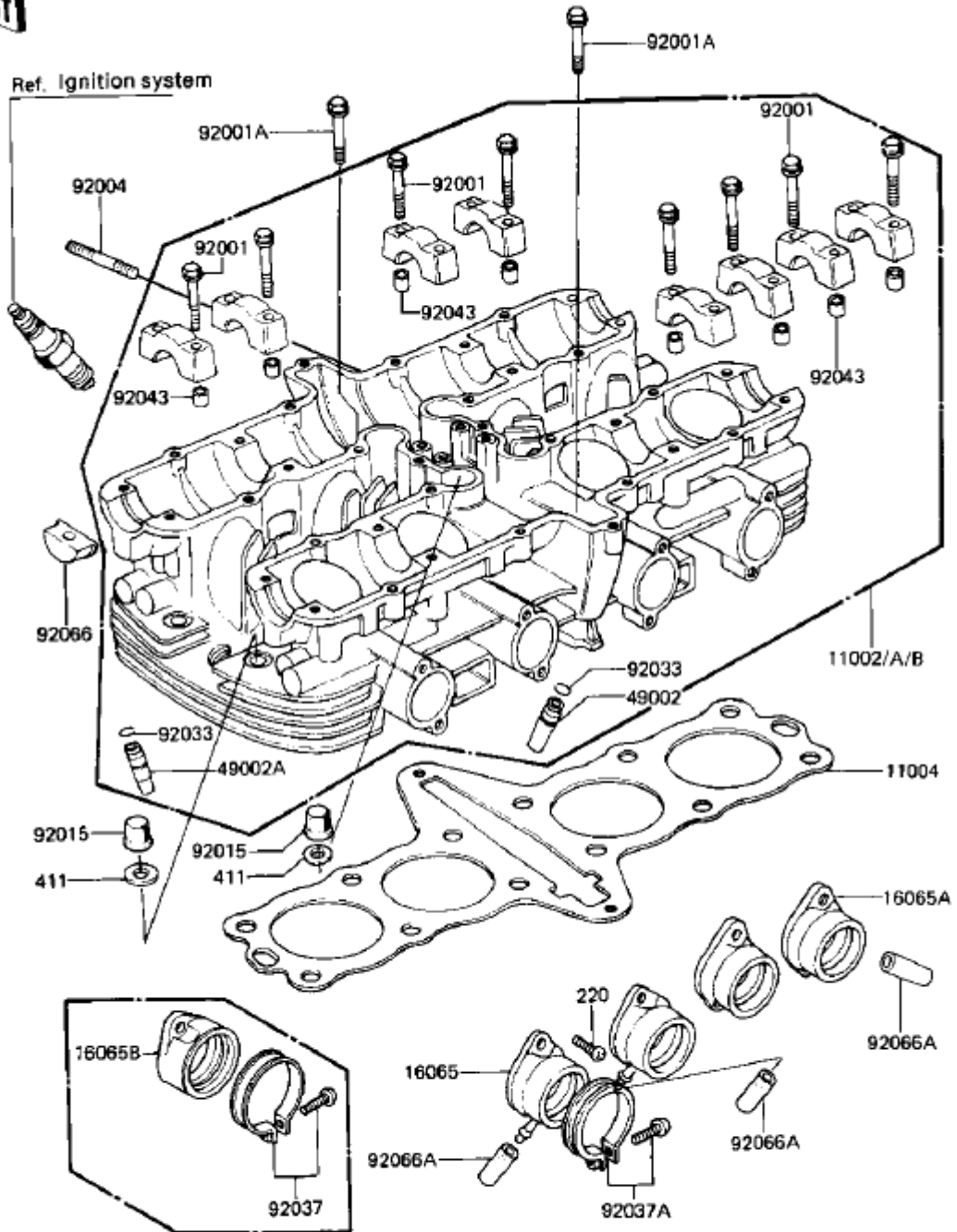
Ref #	Part #	Description	Qty	Spec #
13031	13031-1028	CRANKSHAFT ASSY	1	
13034	13034-050	METAL,CONNECT ROD BRG	8	
13034A	13034-051	METAL,CONNECT ROD BRG	8	
13034B	13034-052	METAL,CONNECT ROD BRG	8	
13251	13251-1007-JJ	CONNECTING ROD ASSY,J	4	
13251A	13251-1007-JJ	CONNECTING ROD ASSY,J	4	
13251B	13251-1007-JJ	CONNECTING ROD ASSY,J	4	
13251C	13251-1007-KK	CONNECTING ROD ASSY,K	4	
92001	92001-1887	BOLT,CONNECTING ROD,8	8	
92015	92015-1311	NUT,FLANGED,8MM	8	
92028	92028-1100	BUSHING,CRANKSHAFT	10	
92028A	92028-1101	BUSHING,CRANKSHAFT	10	
92028B	92028-1102	BUSHING,CRANKSHAFT	10	
92043	555A0408	PIN-SPRING,4X8	1	
92049	92050-080	OIL SEAL,HSCY22397	1	
92049A	92050-018	OIL SEAL SC405465	1	
92057	13122-007	CHAIN,PRIMARY 52L	1	

H3

Ref #	Part #	Description	Qty	Spec #
13031	13031-1028	CRANKSHAFT ASSY	1	(- KZ650DE052650)
13031A	13031-1314	CRANKSHAFT-COMP	1	(KZ650DE052651 -)
13034	13034-050	METAL,CONNECT ROD BRG	4	
13034A	13034-051	METAL,CONNECT ROD BRG	4	
13034B	13034-052	METAL,CONNECT ROD BRG	4	
13251	13251-1009-II	ROD-ASSY-CONNECTING,I	4	
13251A	13251-1009-II	ROD-ASSY-CONNECTING,I	4	
13251B	13251-1009-JJ	ROD-ASSY-CONNECTING,J	4	
13251C	13251-1007-KK	CONNECTING ROD ASSY,K	4	
92001	92001-1887	BOLT,CONNECTING ROD,8	8	
92015	92015-1311	NUT,FLANGED,8MM	8	
92028	92028-1100	BUSHING,CRANKSHAFT	10	
92028A	92028-1101	BUSHING,CRANKSHAFT	10	
92028B	92028-1102	BUSHING,CRANKSHAFT	10	
92028C	92028-1156	BUSHING,CONNECTING RO	4	
92028D	92028-1157	BUSHING,CONNECTING RO	4	
92028E	92028-1158	BUSHING,CONNECTING RO	4	
92043	555A0408	PIN-SPRING,4X8	1	
92049	92050-080	OIL SEAL,HSCY22397	1	
92049A	92050-081	OIL SEAL,HSCY25397	1	
92057	13122-007	CHAIN,PRIMARY 52L	1	

CYLINDER HEAD H1 – H2

E1111-0040



I

Ref #	Part #	Description	Qty	Spec #
11002	11002-1080	HEAD-ASSY-CYLINDER,SI	1	US
11002A	11002-1081	HEAD-ASSY-CYLINDER,SILVER (Can	1	CN
11002B	11002-1082	HEAD-ASSY-CYLINDER,SL	1	
11004	11004-1107	GASKET-HEAD,CYLINDER	1	
16065	16065-046	HOLDER,CARB,L.H.	2	
16065A	16065-047	HOLDER,CARB,R.H	2	
16065B	16065-1132	HOLDER-CARBURETOR	4	
49002	12013-009	GUIDE,INLET VALVE	4	
49002A	49002-1002	GUIDE,EXHAUST VALVE	4	
92001	92001-1105	BOLT,FLANGED,6X38	16	
92001A	92001-1445	BOLT,FLANGED,8X43	2	
92004	92004-066	STUD,6X27	8	
92015	92015-076	NUT,CYLINDER HEAD	12	
92033	92036-023	CIRCLIP-VALVE	8	
92037	92037-061	CLAMP-INLET PIPE	4	
92037A	92037-178	CLAMP,CARBURETOR HLDR	4	
92043	92042-007	PIN-DOWEL	16	
92066	92066-1111	PLUG,CAMSHAFT,11.35X1	4	
92066A	92068-006	RUBBER PLUG	2	US
92066A	92068-006	RUBBER PLUG	3	US
220	220B0616	SCREW PAN HEAD 6X16	8	
411	411B1000	WASHER PLAIN 10MM	42	
411	411B1000	WASHER PLAIN 10MM	12	

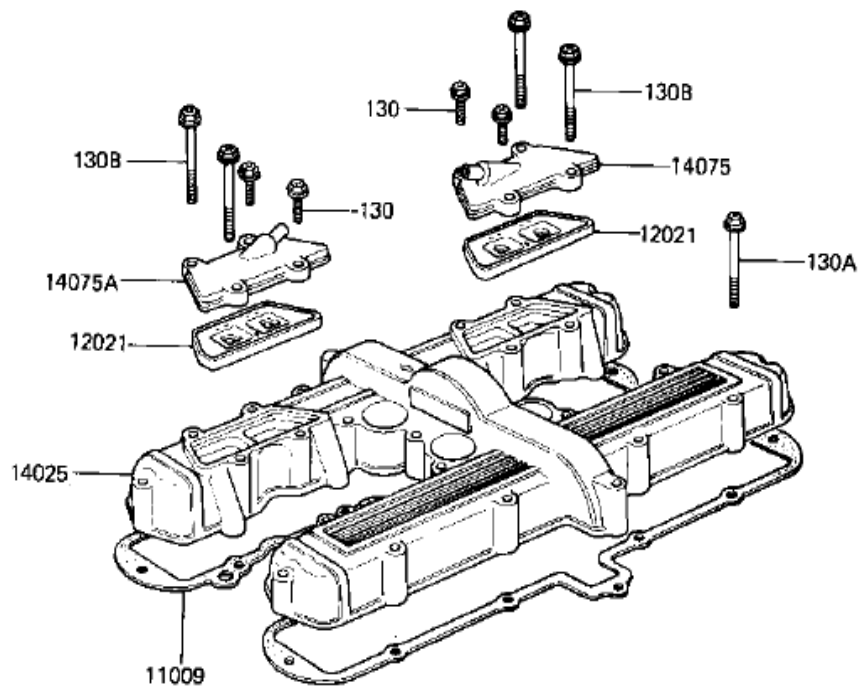
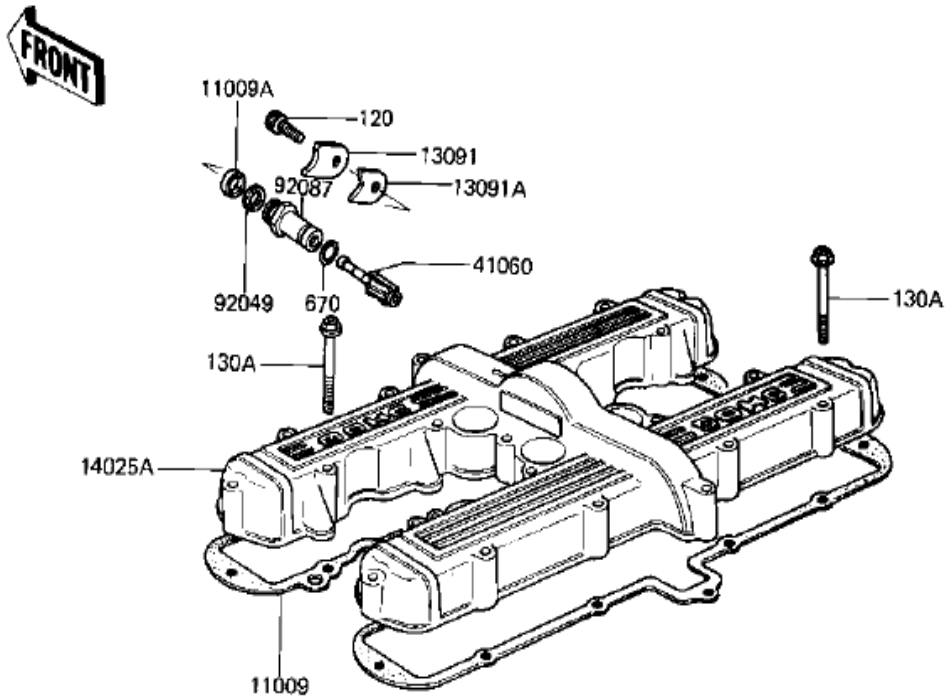
KZ6500

Ref #	Part #	Description	Qty	Spec #
11002	11002-5038	HEAD-ASSY-CYLINDER	1	
11004	11004-1107	GASKET-HEAD,CYLINDER	1	
16065	16065-1132	HOLDER-CARBURETOR	4	
49002	12013-009	GUIDE,INLET VALVE	4	
49002A	49002-1002	GUIDE,EXHAUST VALVE	4	
92001	92001-1105	BOLT,FLANGED,6X38	16	
92001A	92001-1445	BOLT,FLANGED,8X43	2	
92004	92004-066	STUD,6X27	8	
92015	92015-076	NUT,CYLINDER HEAD	12	
92033	92036-023	CIRCLIP-VALVE	8	
92037	92037-061	CLAMP-INLET PIPE	4	
92043	92042-007	PIN-DOWEL	16	
92066	92066-1111	PLUG,CAMSHAFT,11.35X1	4	
120	120S0616	BOLT-SOCKET,6X16,BLAC	8	
411	411B1000	WASHER PLAIN 10MM	12	

KZ650CSR

CYLINDER HEAD COVER H1-H2

E1112:0017

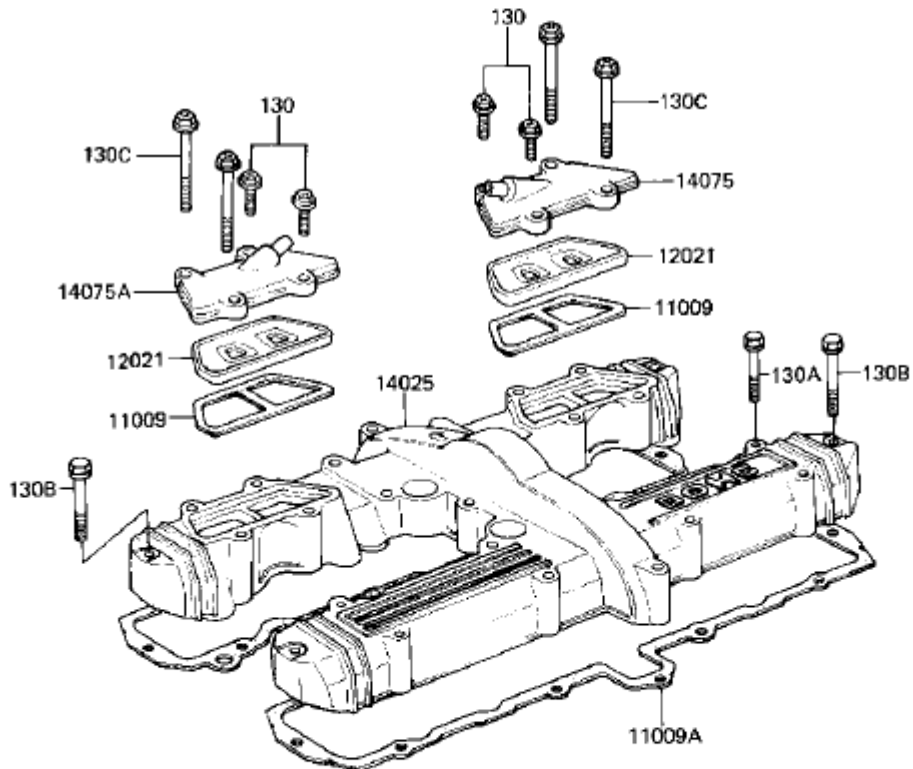
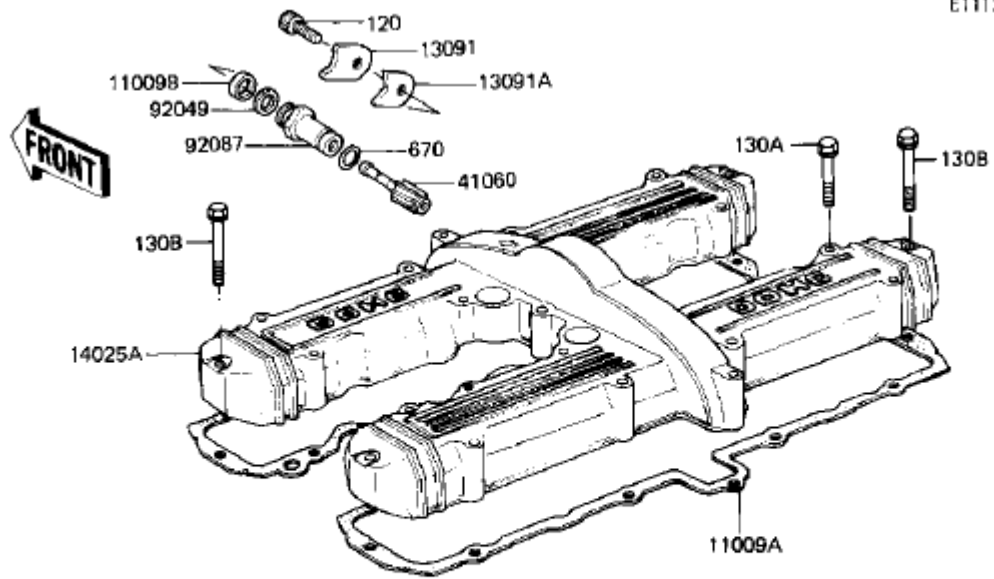


Ref #	Part #	Description	Qty	Spec #
11009	11009-1237	GASKET,CYLINDER HEAD	1	
11009A	92065-103	GASKET,TACHOMETER GER	1	
12021	12021-1003	VALVE ASSY REED	2	US
13091	13091-1008	HOLDER,TACHOMETER2.3T	1	
13091A	13091-1009	HOLDER,TACHOMETR,3.2T	1	
14025	14025-1329	COVER,CYLINDER HEAD,S	1	US
14025A	14025-1330	COVER CYLINDER HEAD (Canada)	1	CN
14075	14075-5016	CAP-ASSY,REED VALVE,R	1	US
14075A	14075-5017	CAP-ASSY,REED VALVE,L	1	US
41060	13223-011	GEAR,TACHOMETER,10T	1	
92049	92050-075	OIL SEAL	1	
92087	92087-010	GUIDE,TACHOMETER GEAR	1	
120	120P0614	BOLT,6X14	1	
130	130G0620	BOLT,FLANGED,6X20	4	US
130A	130G0645	BOLT,FLANGED,6X45	20	US
130A	130G0645	BOLT,FLANGED,6X45	24	US
130B	130G0665	BOLT,FLANGED,6X65	4	US
670	670D1510	"0" RING,10MM	1	

KZ650CSR

CYLINDER HEAD COVER '83 H3

E1112-0044



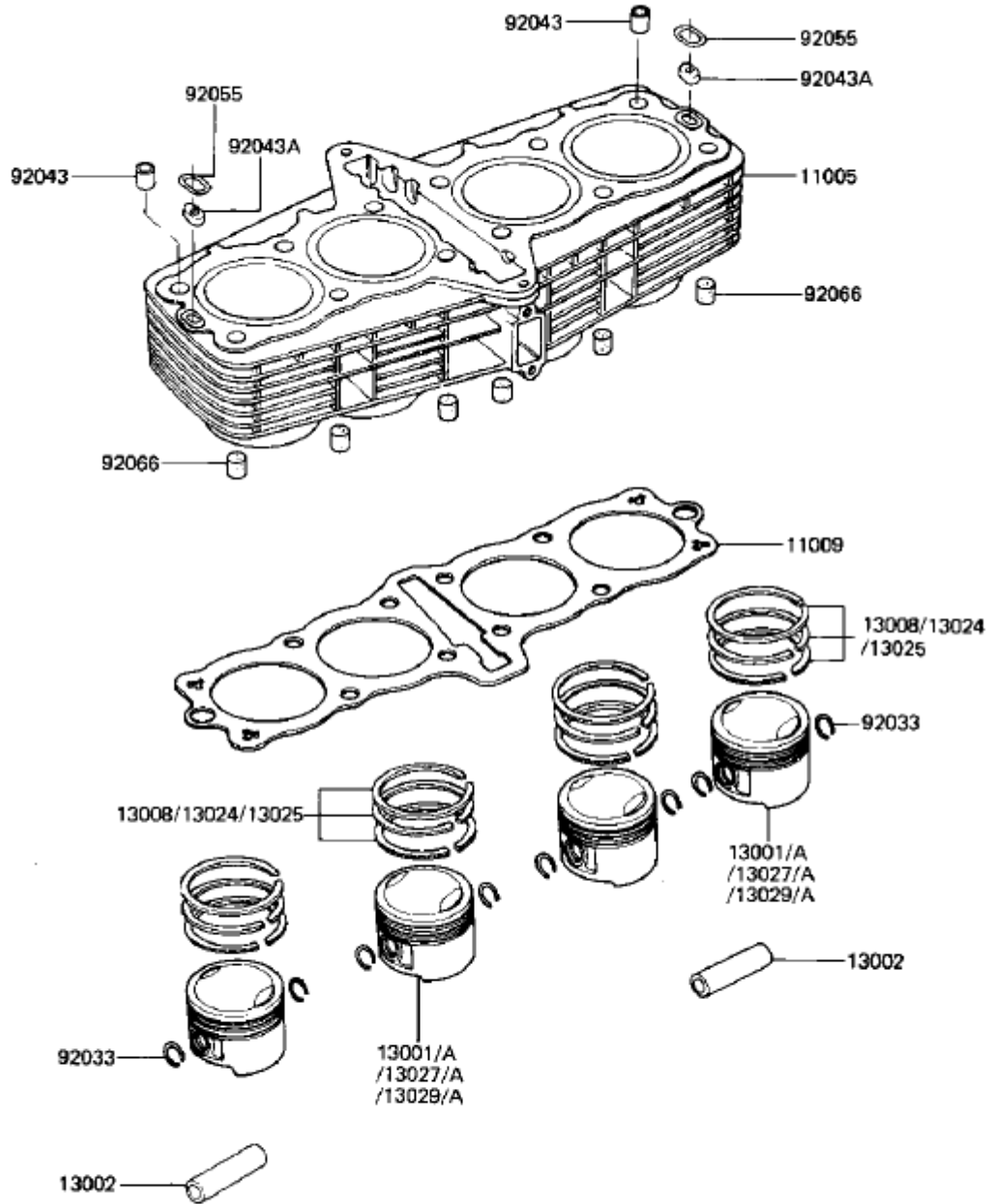
I

Ref #	Part #	Description	Qty	Spec #
11009	11060-1066	GASKET, REED VALVE	2	US
11009A	11009-1274	GASKET, CYLINDER HEAD	1	
11009B	92065-103	GASKET, TACHOMETER GER	1	
12021	12021-1008	VALVE-ASSY-REED	2	US
13091	13091-1008	HOLDER, TACHOMETER2.3T	1	
13091A	13091-1009	HOLDER, TACHOMETR, 3.2T	1	
14025	14025-1552	COVER, CYLINDER HEAD	1	US
14025A	14025-1553	COVER, CYLINDER HEAD, SILVE (Can	1	CN
14075	14075-5016	CAP-ASSY, REED VALVE, R	1	US
14075A	14075-5017	CAP-ASSY, REED VALVE, L	1	US
41060	13223-011	GEAR, TACHOMETER, 10T	1	
92049	92050-075	OIL SEAL	1	
92087	92087-010	GUIDE, TACHOMETER GEAR	1	
120	120P0614	BOLT, 6X14	1	
130	130G0620	BOLT, FLANGED, 6X20	4	US
130A	130G0640	BOLT, FLANGED, 6X40	16	US
130A	130G0640	BOLT, FLANGED, 6X40	20	US
130B	130G0645	BOLT, FLANGED, 6X45	4	
130C	130G0665	BOLT, FLANGED, 6X65	4	US
670	670D1510	"O" RING, 10MM	1	

KZ650CSR

CYLINDER/PISTONS H1 - H2

E1120-0017



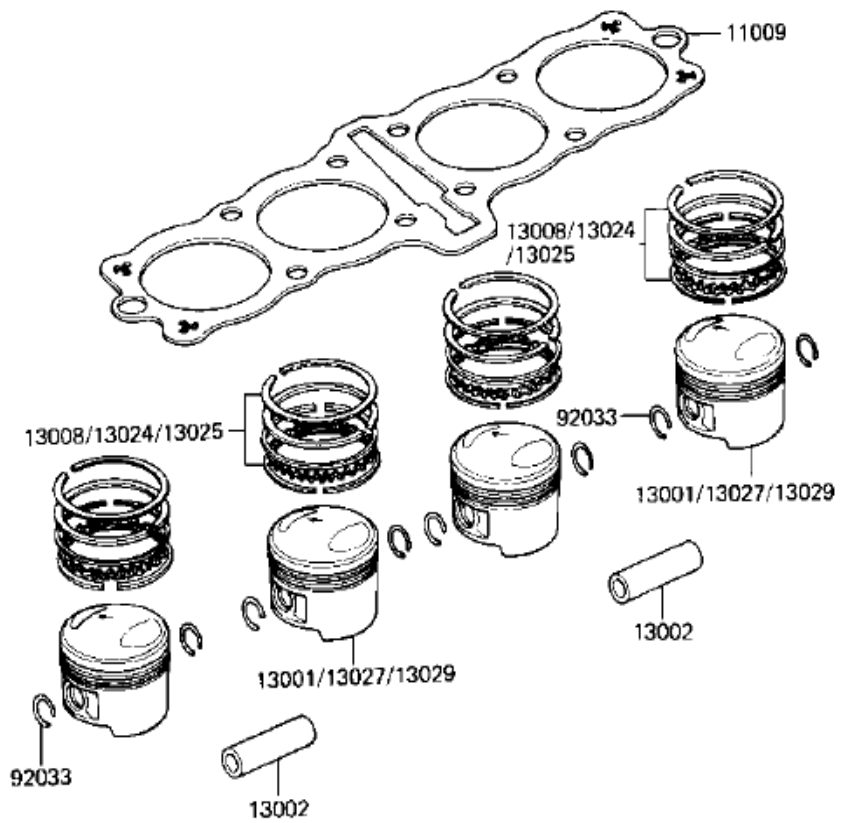
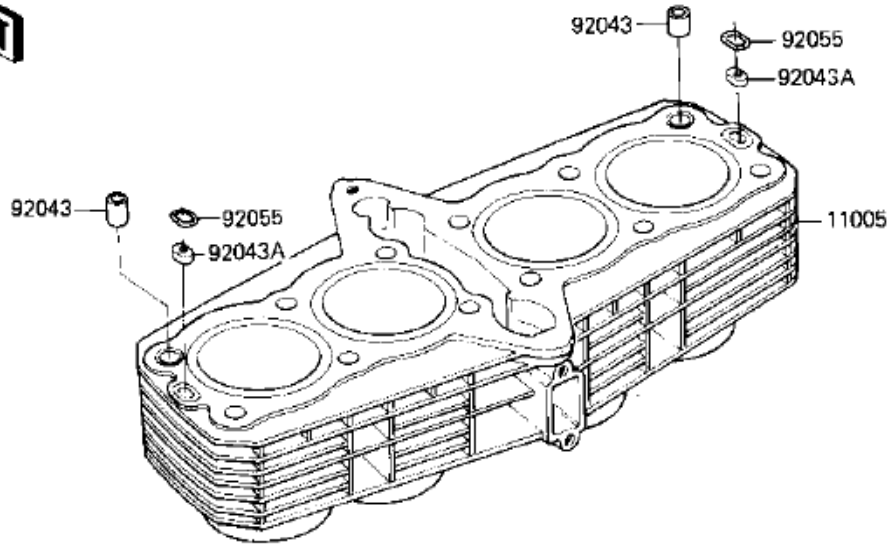
I

Ref #	Part #	Description	Qty	Spec #
11005	11005-1123	CYLINDER-ENGINE,SILVE	1	
11009	11060-1144	GASKET,CYLINDER BASE	1	
13001	13001-1002	PISTON,STD	4	
13001A	13001-1072	PISTON-ENGINE,STD	4	
13002	13002-032	PIN-PISTON	4	
13008	13008-059	RING SET,PISTON,STD	4	
13024	13024-060	RING SET,0.040",O.S.	4	
13025	13025-061	RING SET,0.020",O.S.	4	
13027	13027-069	PISTON,0.040",O.S.	4	
13027A	13027-1033	PISTON-ENGINE LL,O/S	4	
13029	13029-077	PISTON,0.020",O.S.	4	
13029A	13029-1034	PISTON-ENGINE L,O/S 0	4	
92033	92036-005	CIRCLIP PISTON PIN	8	
92043	92043-1266	PIN,11X14X12.3	2	
92043A	92043-1210	PIN,OIL LINE	2	
92055	92055-1147	RING-O	2	
92066	92066-1016	PLUG,DAMPER	6	

KZ650CSR

CYLINDER/PISTONS 83 H3

E1120-0027

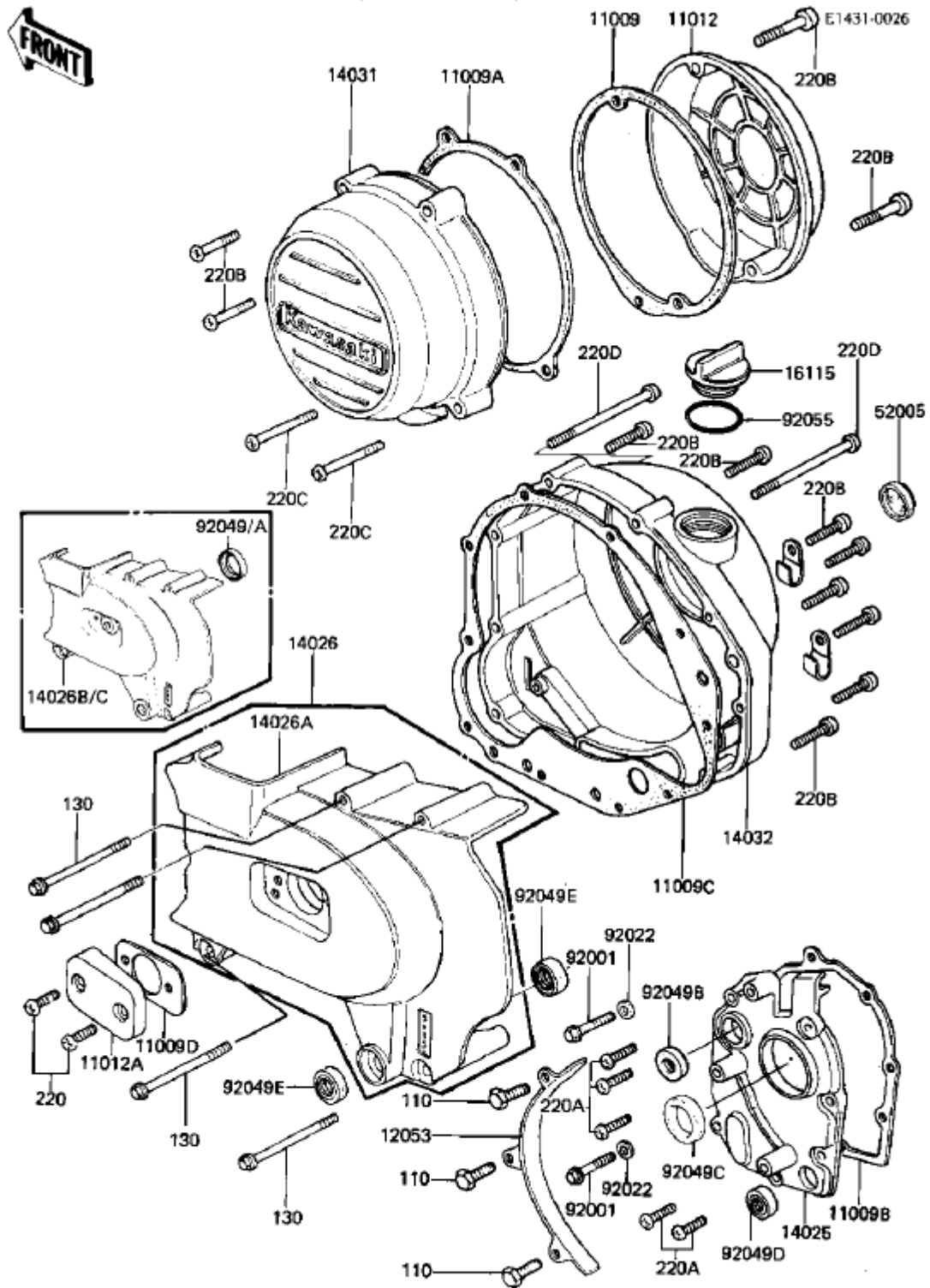


I

Ref #	Part #	Description	Qty	Spec #
11005	11005-1318	CYLINDER-ENGINE,SILVE	1	
11009	11060-1144	GASKET,CYLINDER BASE	1	
13001	13001-1072	PISTON-ENGINE,STD	4	
13002	13002-032	PIN-PISTON	4	
13008	13008-059	RING SET,PISTON,STD	4	
13024	13024-060	RING SET,0.040",O.S.	4	
13025	13025-061	RING SET,0.020",O.S.	4	
13027	13027-1033	PISTON-ENGINE LL,O/S	4	
13029	13029-1034	PISTON-ENGINE L,O/S 0	4	
92033	92036-005	CIRCLIP PISTON PIN	8	
92043	92043-1266	PIN,11X14X12.3	2	
92043A	92043-1210	PIN,OIL LINE	2	
92055	92055-1147	RING-O	2	

KZ650CSR

Engine Covers H1 – H2

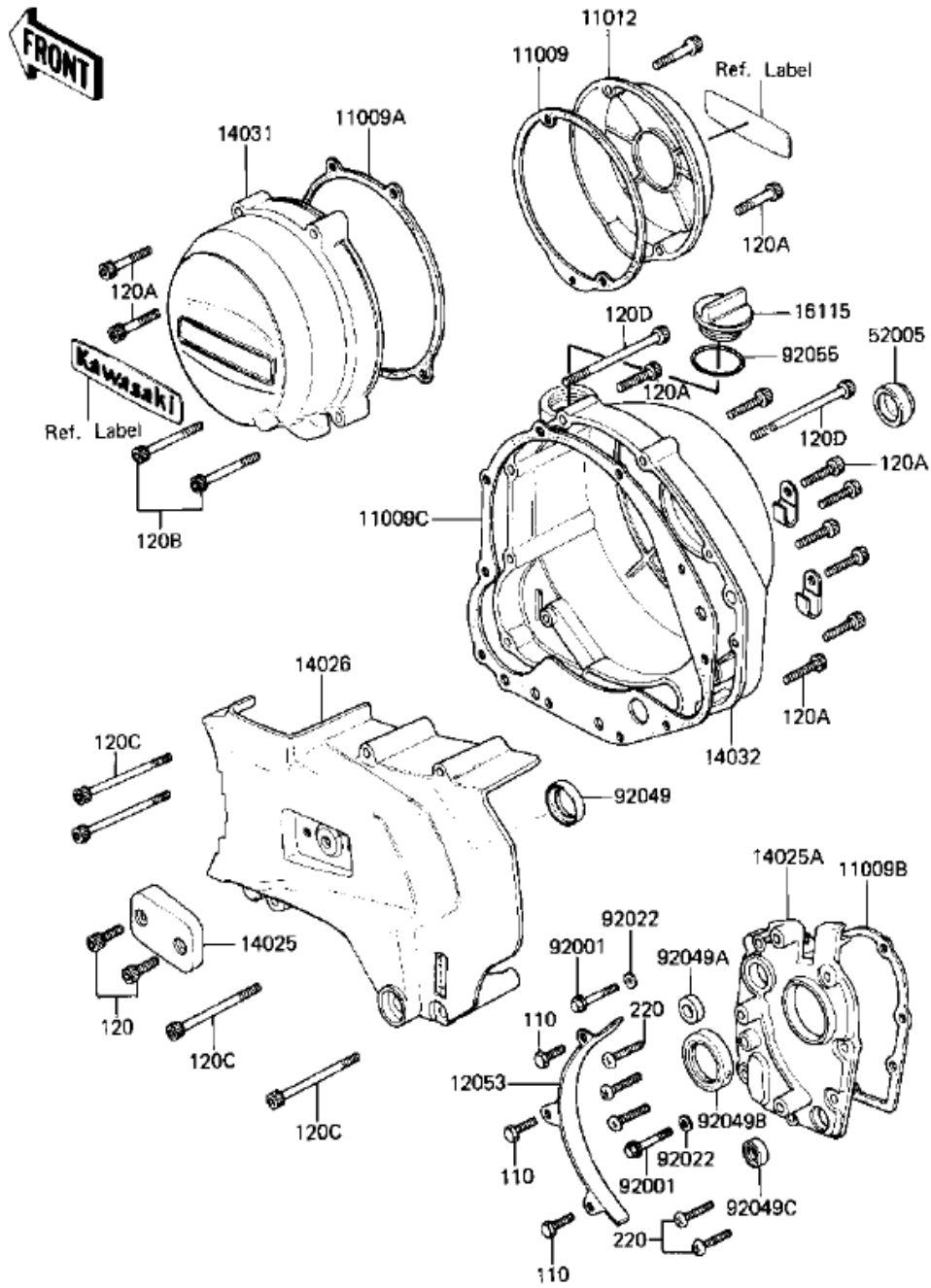


I

Ref #	Part #	Description	Qty	Spec #
11009	11060-1053	GASKET,PULSING COIL C	1	
11009A	11009-1987	GASKET,GENERATOR COVE	1	
11009B	11060-1056	GASKET,TRANSMISSION C	1	
11009C	14046-035	GASKET,R.H.ENG COVER	1	
11009D	14049-004	GASKET,CLUTCH ADJ CAP	1	
11012	11012-1098	CAP,CONTACT BREAKER	1	
11012A	14028-006-80	COVER,CLUTCH ADJUSTNG	1	
12053	12053-1006	GUIDE,CHAIN	1	
14025	14024-011	COVER,MISSION	1	
14026A	14026-035-80	COVER,ENG SPROCKT,BUF	1	
14026B	14026-1053	COVER-CHAIN	1	
14026C	14026-1053	COVER-CHAIN	1	(JKAKZEH1 CA012601 -)
14031	14031-1040	COVER,GENERATOR	1	
14032	14032-1037	COVER,CLUTCH,BUFFING	1	
16115	16115-013	PLUG,OIL FILLER	1	
52005	52005-1009	GAUGE,OIL LEVEL	1	
92001	92001-164	BOLT,HEX HEAD,6X35	2	
92022	92022-077	WASHER OIL PUMP BANJO	2	
92049	92049-1003	OIL SEAL,CLUTCH RELES	1	
92049A	92049-1003	OIL SEAL,CLUTCH RELES	1	(JKAKZEH1 CA012601 -)
92049B	92049-1017	OIL SEAL,SD-8187	1	
92049C	92050-024	OIL SEAL SC325210	1	
92049D	92051-005	OIL SEAL,TB13225.5	1	
92049E	92051-005	OIL SEAL,TB13225.5	2	(- JKAKZEH1 CA012600)
92055	92055-049	"O" RING,31MM	1	
110	112B0614	BOLT-UPSET 6X14	3	
130	130G0670	BOLT-FLANGED,6X70	4	
220	220B0618	SCREW PAN HEAD 6X18	2	
220A	220B0620	SCREW PAN HEAD 6X20	5	
220B	220B0630	SCREW PAN HEAD 6X30	12	
220C	220B0640	SCREW PAN HEAD 6X40	2	
220D	220B0680	SCREW PAN HEAD 6X80	2	

Engine Covers H3

E1431-0088

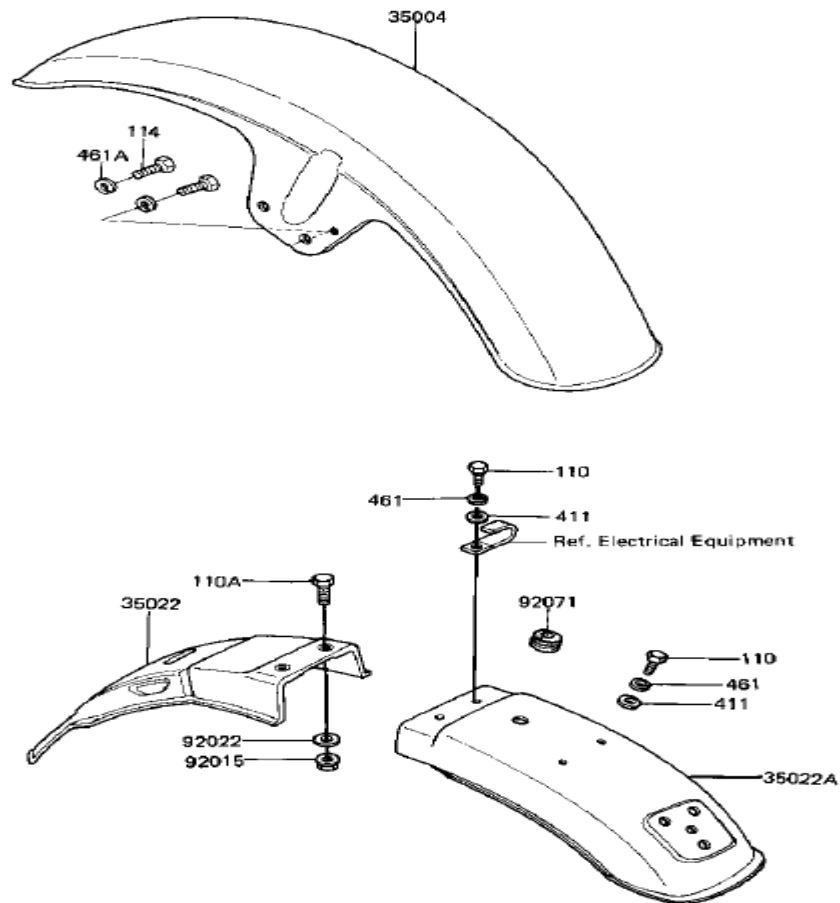


I

Ref #	Part #	Description	Qty	Spec #
11009	11060-1053	GASKET,PULSING COIL C	1	
11009A	11009-1987	GASKET,GENERATOR COVE	1	
11009B	11060-1056	GASKET,TRANSMISSION C	1	
11009C	14046-035	GASKET,R.H.ENG COVER	1	
11012	11012-1266	CAP,PULSING COIL	1	
12053	12053-1006	GUIDE,CHAIN	1	
14025	14025-1249	COVER,CLUTCH ADJUSTIN	1	
14025A	14025-1486	COVER,MISSION	1	
14026	14026-1074	COVER-CHAIN	1	
14031	14031-1102	COVER-GENERATOR	1	
14032	14032-1091	COVER-CLUTCH	1	
16115	16115-013	PLUG,OIL FILLER	1	
52005	52005-1009	GAUGE,OIL LEVEL	1	
92001	92001-164	BOLT,HEX HEAD,6X35	2	
92022	92022-077	WASHER OIL PUMP BANJO	2	
92049	92049-1003	OIL SEAL,CLUTCH RELES	1	
92049A	92049-1017	OIL SEAL,SD-8187	1	
92049B	92050-024	OIL SEAL SC325210	1	
92049C	92051-005	OIL SEAL,TB13225.5	1	
92055	92055-049	"O" RING,31MM	1	
110	112B0614	BOLT-UPSET 6X14	3	
120	120P0614	BOLT,6X14	2	
120A	120P0630	BOLT,SOCKET,6X30	12	
120B	120P0640	BOLT,SOCKET,6X40	2	
120C	120P0670	BOLT-SOCKET,6X70	4	
120D	120P0680	BOLT-SOCKET,6X80	2	
220	220B0620	SCREW PAN HEAD 6X20	5	

Fenders H1 – H3

F2170-0003

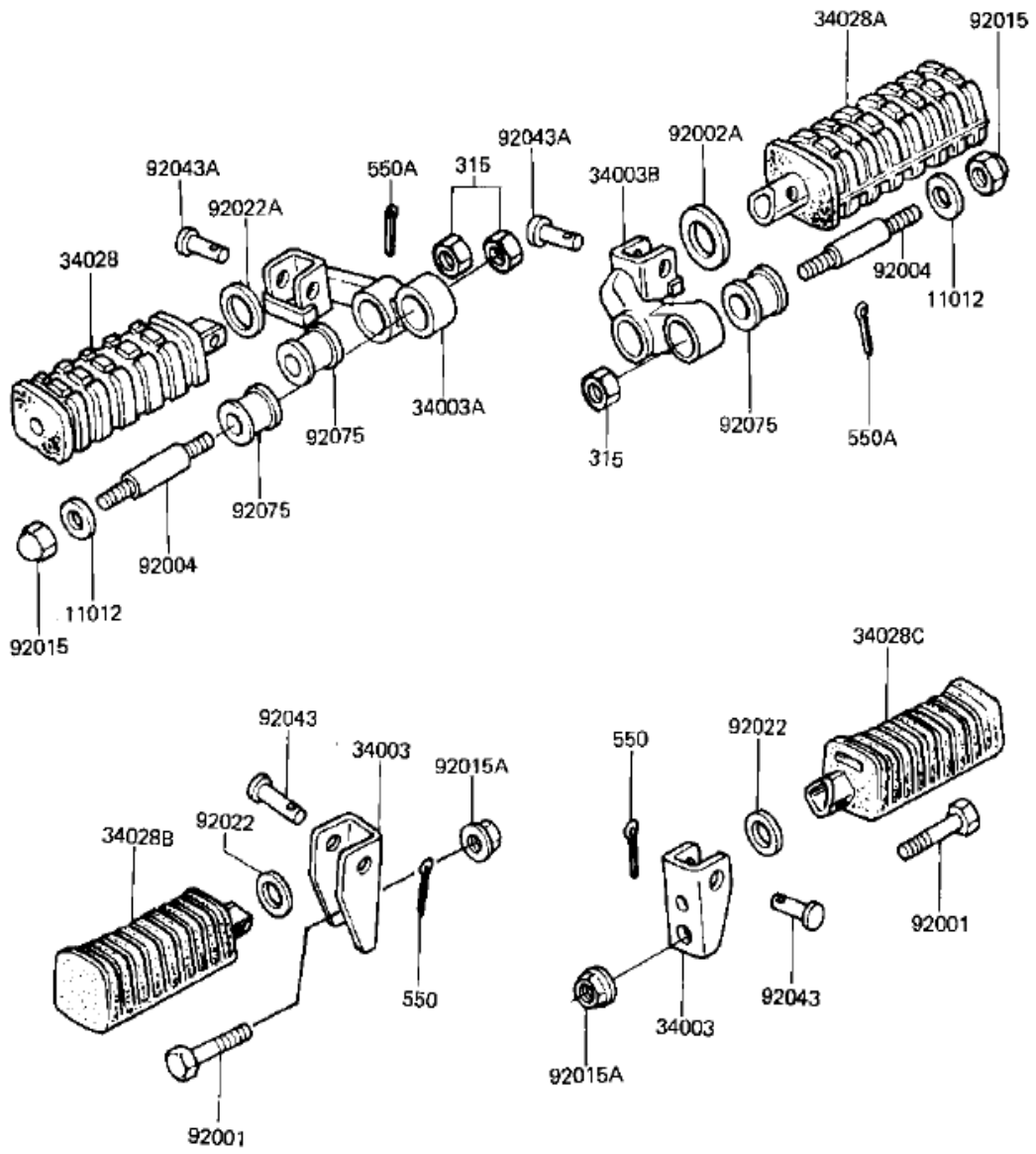


I

Ref #	Part #	Description	Qty	Spec #
35004	35004-1047	FENDER-FR	1	
35022	35022-1046	FENDER-RR	1	
35022A	35022-1059	FENDER-RR	1	
92015	92015-1078	NUT-6MM	2	
92022	92022-125	WASHER 6.5X20X1.6T	2	
92071	92071-019	GROMMET HARNESS 10MM	1	
110	112B0614	BOLT-UPSET 6X14	4	
110A	112G0616	BOLT-UPSET,6X16	2	
114	115G0816	BOLT-SMALL-UPSET,8X16	4	
411	411B0600	WASHER PLAIN 6MM	4	
461	461F0600	WASHER SPRING 6MM	4	
461A	461F0800	WASHER SPRING 8MM	4	

FOOTRESTS H1 – H3

F2160-0003



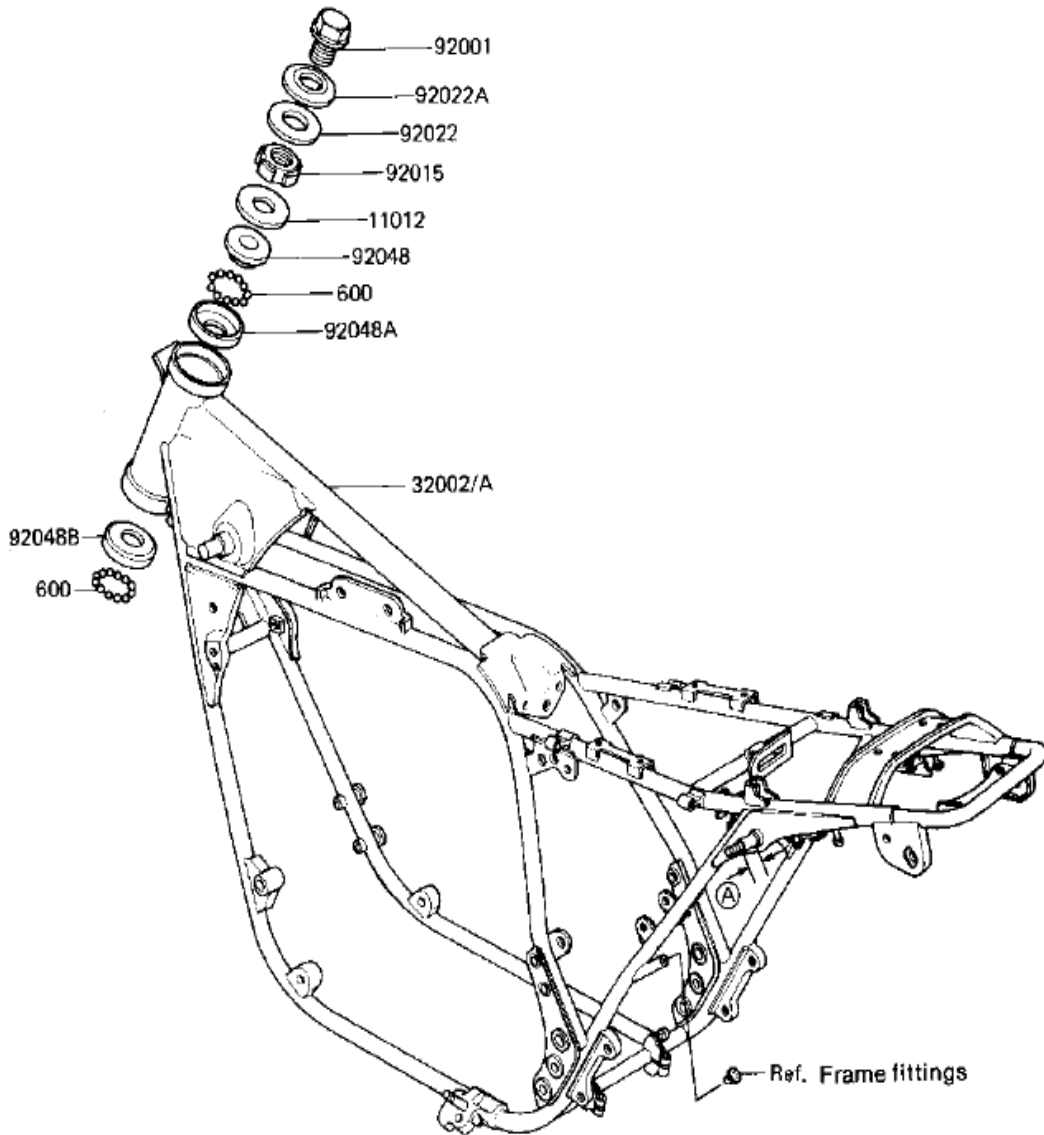
I

Ref #	Part #	Description	Qty	Spec #
11012	92102-010	CAP,FOOTRESTBAR	4	
34003	34003-1025	HOLDER,REAR FOOTREST	2	
34003A	34003-1063	BRACKET,FTRST STEP LH	1	
34003B	34003-1064	BRACKET,FTRST STEP RH	1	
34028	34028-1018	STEP-ASSY,FR,RH	1	
34028A	34028-1018	STEP-ASSY,FR,RH	1	
34028B	34028-1024	STEP,RR FOOTREST,L.H	1	
34028C	34028-1025	STEP,RR FOOTREST,R.H	1	
92001	92001-1252	BOLT,HEX HEAD 10X35	2	
92004	92004-048	STUD,FOOTREST BAR FIT	4	
92015	92015-1133	NUT,CAP,LOCK,8MM	4	
92015A	92015-1428	NUT,FLANGED,10MM	2	
92022	92022-181	WASHER-PLAIN	2	
92022A	92022-250	WASHER,PLAIN	2	
92043	92043-1464	PIN	2	
92043A	92043-115	PIN,FOOTREST BAR FIT	2	
92075	92075-293	DAMPER RUBBER,FOOTRES	4	
315	315B1000	NUT 10MM	4	
550	550D2012	PIN,COTTER,2.0X12	2	
550A	550D2515	PIN,COTTER,2.5X15	2	

KZ650CSR

FRAME H1 – H3

F2120-0055



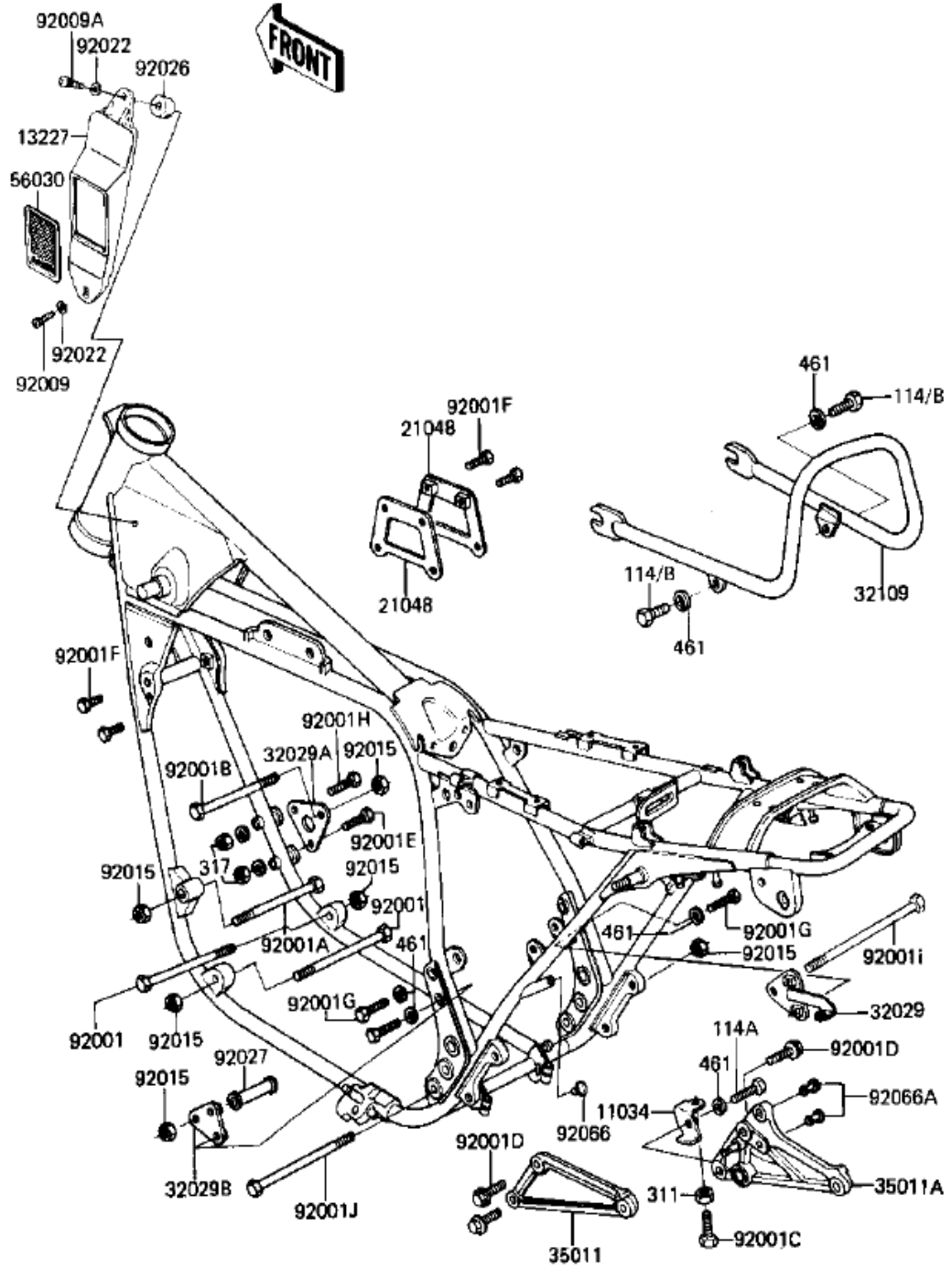
I

Ref #	Part #	Description	Qty	Spec #
11012	46098-016	CAP, STEERING STEM	1	
32002	32002-1380	FRAME-COMP	1	
32002A	32002-1504	FRAME-COMP,A=22.5	1	
92001	92007-031	BOLT,STEERG STEM HEAD	1	
92015	92090-007	NUT STEERING STEM LCK	1	
92022	46100-003	WASHER,WAVE	1	
92022A	92022-230	WASHER,STEERG STM HD	1	
92048	92047-011	CONE,STRNG STM BRNG	1	
92048A	92048-006	RACE STRNG STEM BERNG	1	
92048B	92048-008	RACE,STRNG STM BRNG	1	
600	600A0800	BALL STEEL 1/4'	39	

KZ650CSR

Frame fittings H1 – H2

F2131-0060

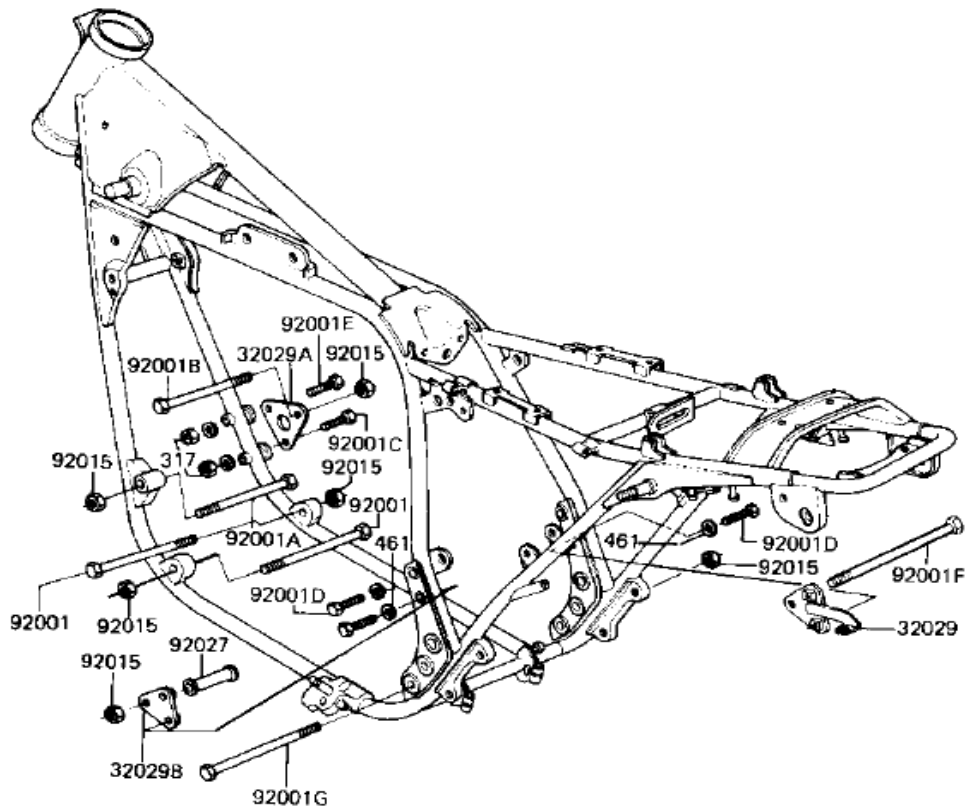


I

Ref #	Part #	Description	Qty	Spec #
11034	11034-1824	BRACKET,BRAKE PEDAL	1	
13227	13227-1001	HOUSING,LABEL	2	
21048	21048-1001	PLATE,IGNITION COIL	2	
32029	32029-1129	PLATE,ENG.MOUNT,R.H.	1	
32029A	32030-063	PLATE,FRONT ENG.MOUNT	1	
32029B	32030-064	PLATE,RR ENG MONT,L.H	1	
32109	32109-1016	GRIP,FRAME	1	
35011	35011-1080	STAY,MUFFLER,LH	1	
35011A	35011-1081	STAY,MUFFLER,RH	1	
56030	56030-1006	LABEL	2	
92001	92001-1048	BOLT,HEX HEAD,10X84	2	
92001A	92001-1049	BOLT,HEX HEAD,10X72	1	
92001B	92001-1050	BOLT,HEX HEAD,10X46	1	
92001C	92001-1090	BOLT,HEX HEAD,6X25	1	
92001D	92001-1095	BOLT,8X28	3	
92001E	92001-1581	BOLT,FLANGED,8X60	1	
92001F	92001-137	BOLT,HEX HEAD,6MM	4	
92001G	92001-1578	BOLT	4	
92001H	92001-1397	BOLT-8X63	1	
92001I	92091-023	BOLT,ENGINE MOUNTING	1	
92001J	92091-032	BOLT,HEX HEAD,10X219	1	
92009	92009-1099	SCREW,5X16,BLACK	2	
92009A	92009-1100	SCREW,PAN HEAD,5X30	2	
92015	92015-1429	NUT,10MM	6	
92022	25009-004	WASHER,5.2X16X16X1.2T	4	
92026	92026-1077	SCREW,5.2X23X13	2	
92027	92027-275	COLLAR,L=54MM.	1	
92066	92066-1077	PLUG,9.5X8	2	
92066A	92066-1080	PLUG,RUBBER	2	
114	115B0822	BOLT-SMALL-UPSET,8X22	2	
114A	115G0835	BOLT,SMALL UPSET	2	
114B	114N0818	BOLT-SMALL,8X18	1	
311	311B0600	NUT 6MM	1	
317	317B0800	NUT,8M/M	2	
461	461F0800	WASHER SPRING 8MM	9	

Frame Fittings H3

F2131-0114



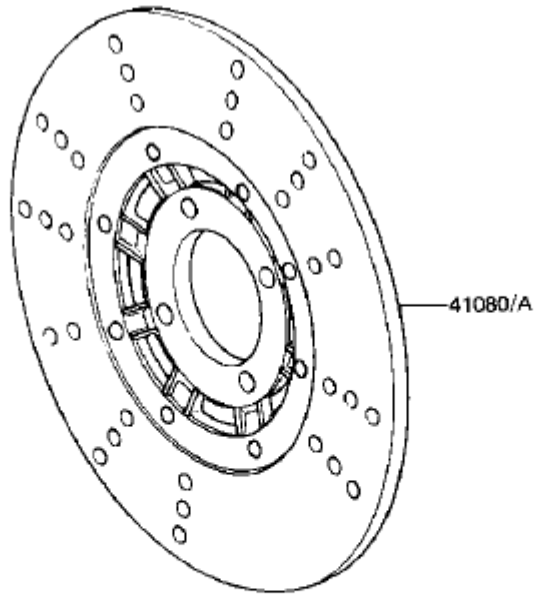
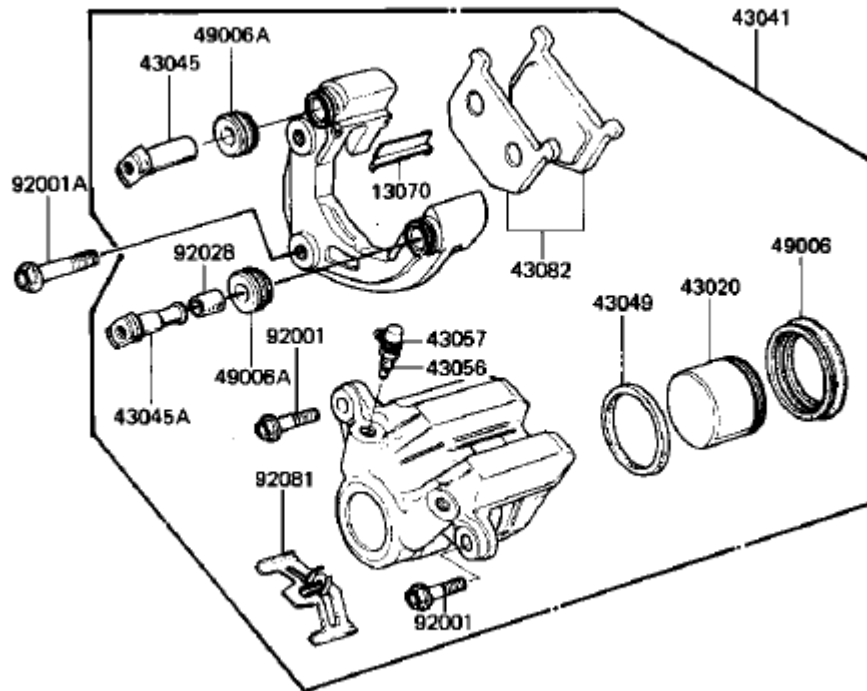
I

Ref #	Part #	Description	Qty	Spec #
32029	32029-1129	PLATE,ENG.MOUNT,R.H.	1	
32029A	32030-063	PLATE,FRONT ENG.MOUNT	1	
32029B	32030-064	PLATE,RR ENG MONT,L.H	1	
92001	92001-1048	BOLT,HEX HEAD,10X84	2	
92001A	92001-1049	BOLT,HEX HEAD,10X72	1	
92001B	92001-1050	BOLT,HEX HEAD,10X46	1	
92001C	92001-1581	BOLT,FLANGED,8X60	1	
92001D	92001-1578	BOLT	4	
92001E	92001-1397	BOLT-8X63	1	
92001F	92091-023	BOLT,ENGINE MOUNTING	1	
92001G	92091-032	BOLT,HEX HEAD,10X219	1	
92015	92015-1429	NUT,10MM	6	
92027	92027-275	COLLAR,L=54MM.	1	
317	317B0800	NUT,8M/M	2	
461	461F0800	WASHER SPRING 8MM	6	

KZ650CSR

Front Brake H1 – H3

F2292-0023

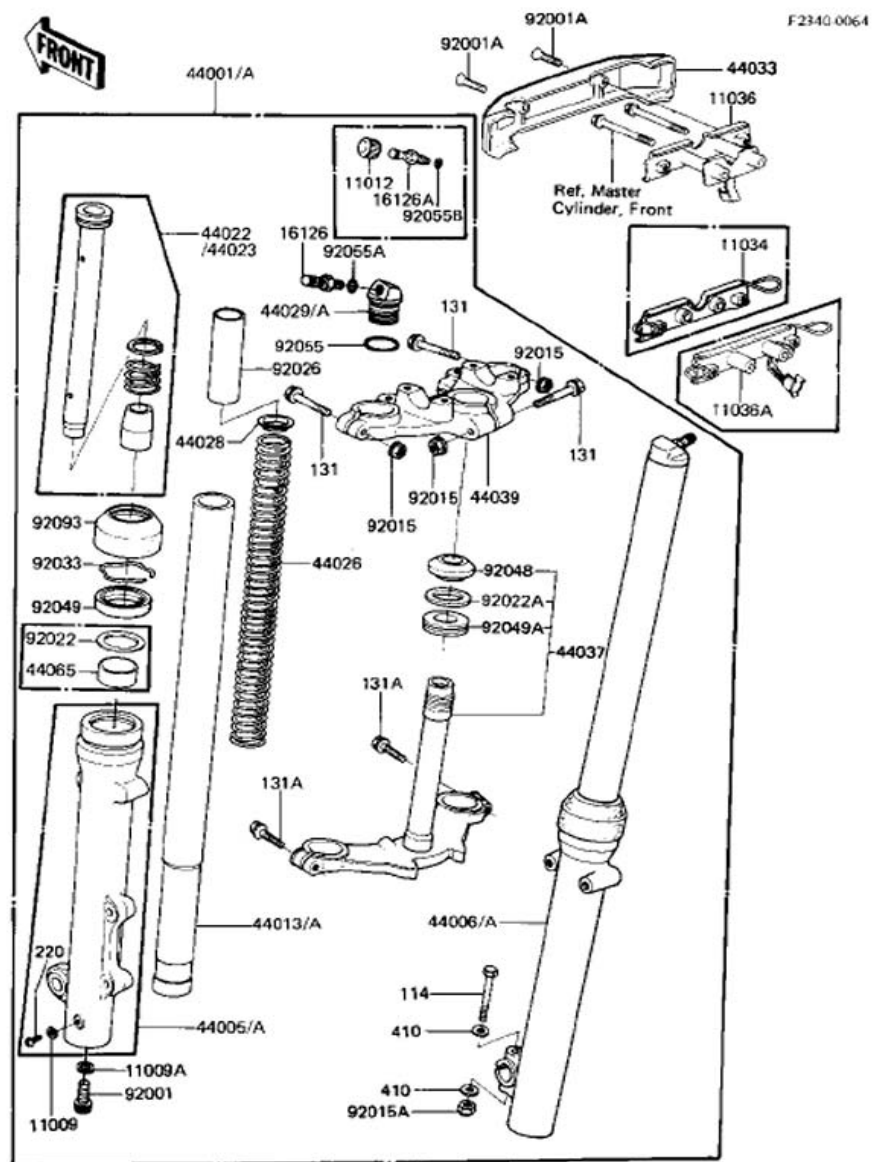


I

Ref #	Part #	Description	Qty	Spec #
13070	13070-1026	GUIDE,PAD	2	
41080	41080-1037	DISK,FR	1	
41080A	41080-1042	DISK	1	
43020	43020-1096	PISTON-COMP-BRAKE	1	
43041	43041-1113	CALIPER-ASSY,FR	1	
43045	43045-1007	SHAFT,CALIPER	1	
43045A	43045-1008	SHAFT,CALIPER	1	
43049	43049-002	RING,PISTON SEAL	1	
43056	43056-003	BREEDER	1	
43057	43057-003	CAP,BREEDER	1	
43082	43082-1025	PAD-ASSY-BRAKE	1	
49006	49006-1043	DUST SEAL,PISTON	1	
49006A	49006-1044	DUST SEAL	2	
92001	92001-1510	BOLT,FLANGED,8X25,BLA	2	
92001A	92001-1354	BOLT,FLANGED,10X47	2	
92028	92028-1090	BUSHING,SHAFT CALIPER	1	
92081	92081-1229	SPRING,PAD	1	

KZ650CSR

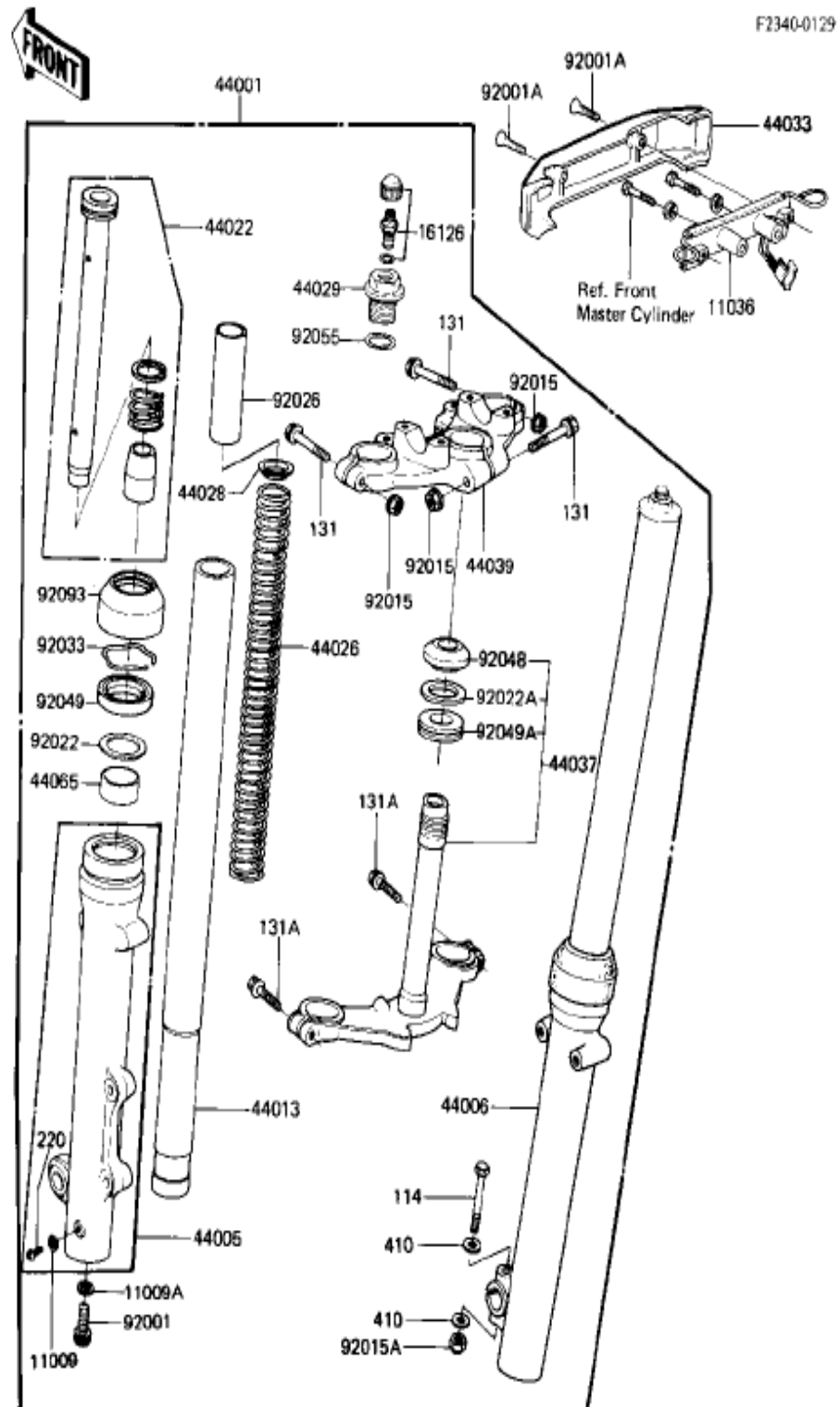
Front Fork H1 – H2



Item	Part Number	Part Name	Quantity	H1	H2	Remarks
11009	44045-002	GASKET FORK DRAIN PLG	2	2	2	
11009A	44045-057	GASKET,FORK CYLINDER	2	2	2	
11012	11012-1241	CAP,AIR VALVE	2		2	
11034	11034-1829	BRACKET,FORK COVER	1	1		
11036	11036-1025	BRACKET-A,FORK COVER	1	1		
11036A	11036-1253	BRACKET-A	1		1	
16126	16126-1003	VALVE ASSY,AIR	2	2		
16126A	16126-1052	VALVE AIR	2		2	
44001	44001-1329	FORK-FRONT	1	1		
44001A	44001-1329	FORK-FRONT	1		1	

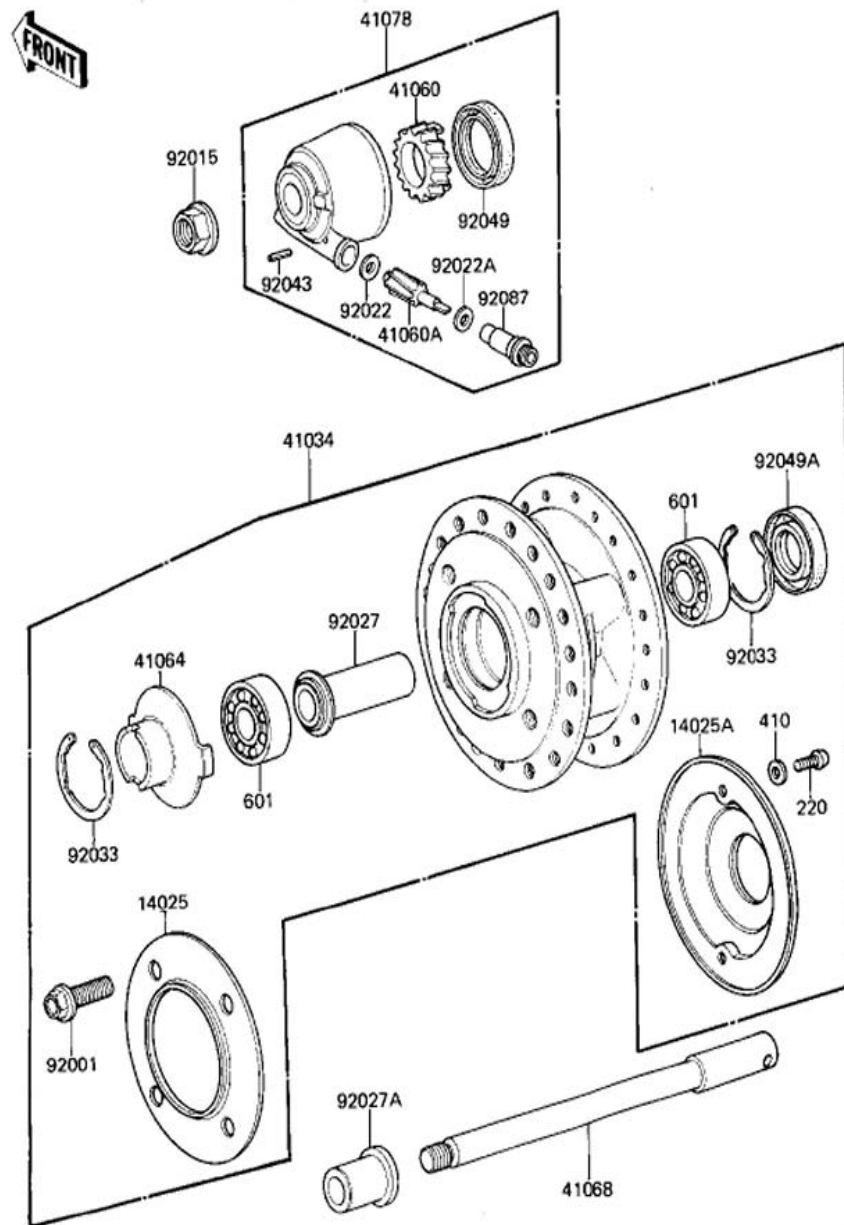
44005	44005-1058	TUBE,LH,FORK OUTER	1	1		
44005A	44005-1078	TUBE,LH,FORK OUTER	1		1	
44006	44006-1058	TUBE,RH,FORK OUTER	1	1		
44006A	44006-1078	TUBE,RH,FORK OUTER	1		1	
44013	44013-1045	PIPE-FORK INNER	2	2		
44013A	44013-1085	PIPE-FORK INNER	2		2	
44022	44022-1066	CYLINDER-FORK	2		2	
44023	44023-1013	CYLINDER-FORK	2	2		
44026	44026-1083	SPRING-FRONT FORK	2	2	2	
44028	44028-033	GUIDE,FORK SPRING	2	2	2	
44029	44029-1005	CAP,FORK TOP	2	2		
44029A	44029-1029	SEAT-FORK SPRING	2		2	
44033	44033-1054	COVER,FORK	1	1	1	
44037	44037-1050	STEM,STEERING	1	1	1	
44039	44039-1032	HEAD,STEERING STEM	1	1	1	
44065	44065-1016	BUSHING-FRONT FORK	2		2	
92001	44041-040	BOLT-FORK CYLINDER	2	2	2	
92001A	222C0518	SCREW-CSK-RD-CROS	2	2	2	
92015	92015-1022	NUT-8MM	3	3	3	
92015A	92015-1124	NUT,LOCK,8MM	1	1	1	
92022	92022-1275	WASHER	2		2	
92022A	92022-231	WASHER,PLAIN	1	1	1	
92026	92026-1012	SPACER,FORK SPRING	2	2	2	
92033	92033-1100	RING-SNAP,FORK OIL	2	2	2	
92048	92047-012	CONE,STEERING STEM	1	1	1	
92049	92049-1101	SEAL-OIL,FRONT FORK	2	2	2	
92049A	92056-003	OIL SEAL,STEERING STM	1	1	1	
92055	92055-1012	"O" RING,FORK TOP	2	2	2	
92055A	92055-1018	"O" RING,AIR VALVE	2	2		
92055B	92055-1094	"O" RING,AIR VALVE	2		2	
92093	92093-1037	DUST SHIELD,FORK	2	2	2	
114	114G0855	BOLT,HEX HEAD,8X55	1	1	1	
131	130G0855	BOLT,FLANGED,8X55	1	1	1	
131A	131G1040	BOLT,FLANGED,10X40	2	2	2	
220	220B0408	SCREW PAN HEAD 4X8	2	2	2	
410	410B0800	WASHER PLAIN 8MM	2	2	2	

Front Forks H3



Item	Part Number	Part Name	Quantity
11009	44045-002	GASKET FORK DRAIN PLG	2
11009A	44045-057	GASKET,FORK CYLINDER	2
11036	11036-1253	BRACKET-A	1
16126	16126-1052	VALVE AIR	2
44001	44001-1384	FORK-FRONT	1
44005	44005-1078	TUBE,LH,FORK OUTER	1
44006	44006-1078	TUBE,RH,FORK OUTER	1
44013	44013-1099	PIPE-FORK INNER	2
44022	44022-1066	CYLINDER-FORK	2
44026	44026-1163	SPRING-FRONT FORK	2
44028	44028-033	GUIDE,FORK SPRING	2
44029	44029-1039	SEAT-FORK SPRING	2
44033	44033-1054	COVER,FORK	1
44037	44037-1050	STEM,STEERING	1
44039	44039-1032	HEAD,STEERING STEM	1
44065	44065-1016	BUSHING-FRONT FORK	1
92001	44041-040	BOLT-FORK CYLINDER	2
92001A	222C0518	SCREW-CSK-RD-CROS	2
92015	92015-1022	NUT-8MM	3
92015A	92015-1124	NUT,LOCK,8MM	1
92022	92022-1275	WASHER	2
92022A	92022-231	WASHER,PLAIN	1
92026	92026-1117	SPACER,FORK SPRING	2
92033	92033-1100	RING-SNAP,FORK OIL	2
92048	92047-012	CONE,STEERING STEM	1
92049	92049-1101	SEAL-OIL,FRONT FORK	2
92049A	92056-003	OIL SEAL,STEERING STM	2
92055	92055-1012	"O" RING,FORK TOP	2
92093	92093-1037	DUST SHIELD,FORK	2
114	114G0855	BOLT,HEX HEAD,8X55	1
131	130G0855	BOLT,FLANGED,8X55	3
131A	131G1040	BOLT,FLANGED,10X40	2
220	220B0408	SCREW PAN HEAD 4X8	2
410	410B0800	WASHER PLAIN 8MM	2

Front Hub H1- H2

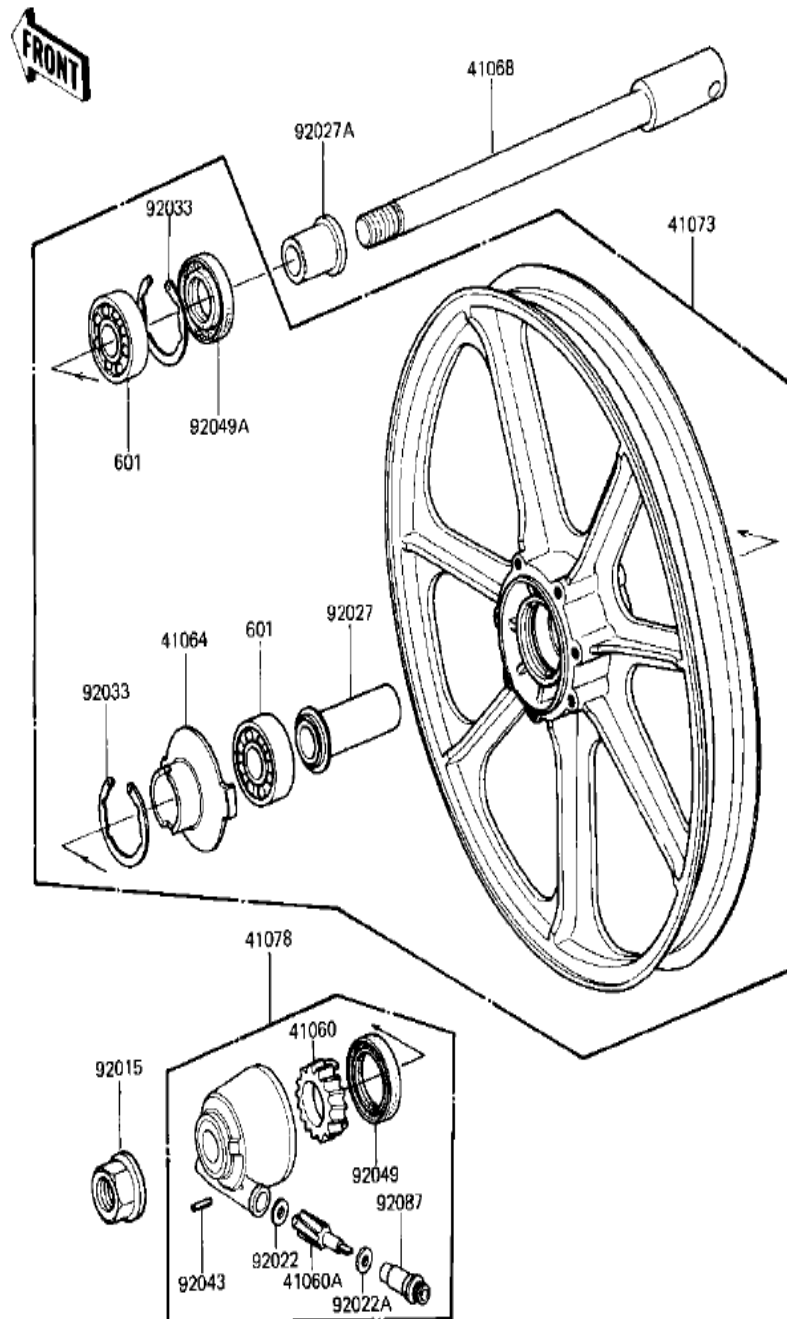


Illustrations (c) 1966–2003 Kawasaki

Item	Part Number	Part Name	Quantity	H1	H2	Remarks
14025	14025-1277	COVER,DUST,LH	1	1	1	
14025A	14025-1341	COVER,DUST,RH	1	1	1	
41034	41034-1041	DRUM-ASSY,FR BRK	1	1	1	
41060	41059-026	GEAR,SPEEDOMETER	1	1	1	
41060A	41060-1016	PINION,SPEEDOMETER,9T	1	1	1	
41064	41064-1006	RECEIVER,SPEEDOMETER	1	1	1	
41068	41068-1009	AXLE,FRONT,L=204M/M	1	1	1	
41078	41078-1013	GEAR BOX ASSY,	1	1	1	
92001	92001-1173	BOLT,HEX HEAD,10X30	4	4	4	
92015	92015-1407	NUT,14MM	1	1	1	
92022	41063-001	WASHER THRST SPD PINI	1	1	1	
92022A	41063-001	WASHER THRST SPD PINI	1	1	1	
92027	92027-1223	COLLAR,FR HUB L=55M/M	1	1	1	
92027A	92027-1225	COLLAR,FR AXLE L=30MM	1	1	1	
92033	92033-1041	CIRCLIP,42MM	2	2	2	
92043	41082-001	PIN,SPRING	1	1	1	
92049	92049-1057	OIL SEAL,BJN30427-C3	1	1	1	
92049A	92049-1058	OIL SEAL,AG1144AO	1	1	1	
92087	92087-1002	BUSHING,METER GEAR	1	1	1	
220	220B0514	SCREW-PAN-CROS	2	2	2	
410	410B0500	WASHER PLAIN 5MM	2	2	2	
601	601B6302Z	BEARING BALL #6302Z	2	2	2	

Front Hub/Wheel H3

F2230-0003

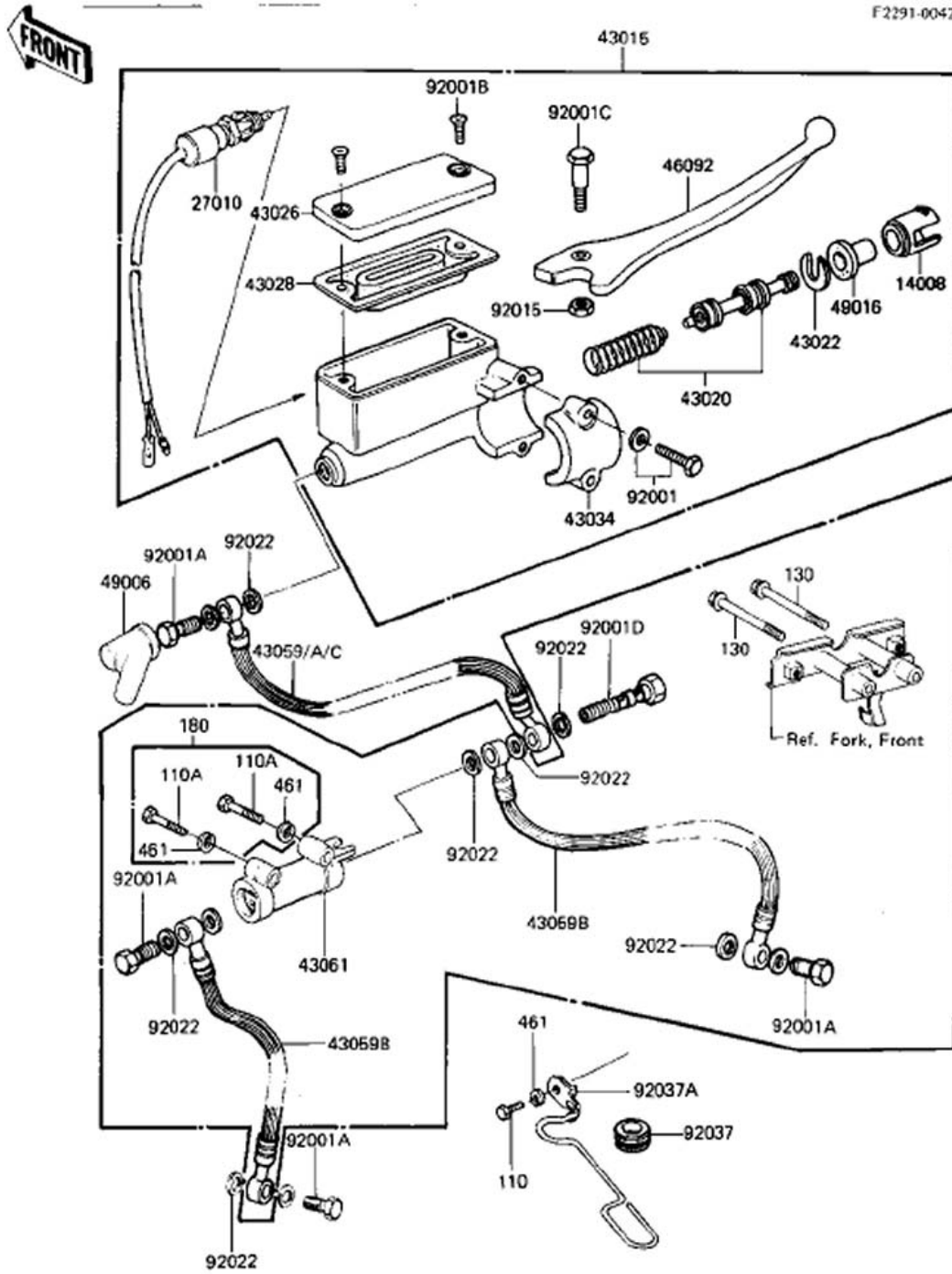


Item	Part Number	Part Name	Quantity	H3	Remarks
41060	41059-026	GEAR,SPEEDOMETER	1	1	
41060A	41060-1016	PINION,SPEEDOMETER,9T	1	1	
41064	41064-1006	RECEIVER,SPEEDOMETER	1	1	
41068	41068-1009	AXLE,FRONT,L=204M/M	1	1	
41073	41073-1080-21	WHEEL-ASSY,FR,F.BLACK	1	1	
41078	41078-1013	GEAR BOX ASSY,	1	1	
92015	92015-1407	NUT,14MM	1	1	
92022	41063-001	WASHER THRST SPD PINI	1	1	
92022A	41063-001	WASHER THRST SPD PINI	1	1	
92027	92027-1223	COLLAR,FR HUB L=55M/M	1	1	
92027A	92027-1225	COLLAR,FR AXLE L=30MM	1	1	
92033	92033-1041	CIRCLIP,42MM	2	2	
92043	41082-001	PIN,SPRING	1	1	
92049	92049-1057	OIL SEAL,BJN30427-C3	1	1	
92049A	92049-1058	OIL SEAL,AG1144AO	1	1	
92087	92087-1002	BUSHING,METER GEAR	1	1	
601	601B6302Z	BEARING BALL #6302Z	2	2	

KZ650CSR

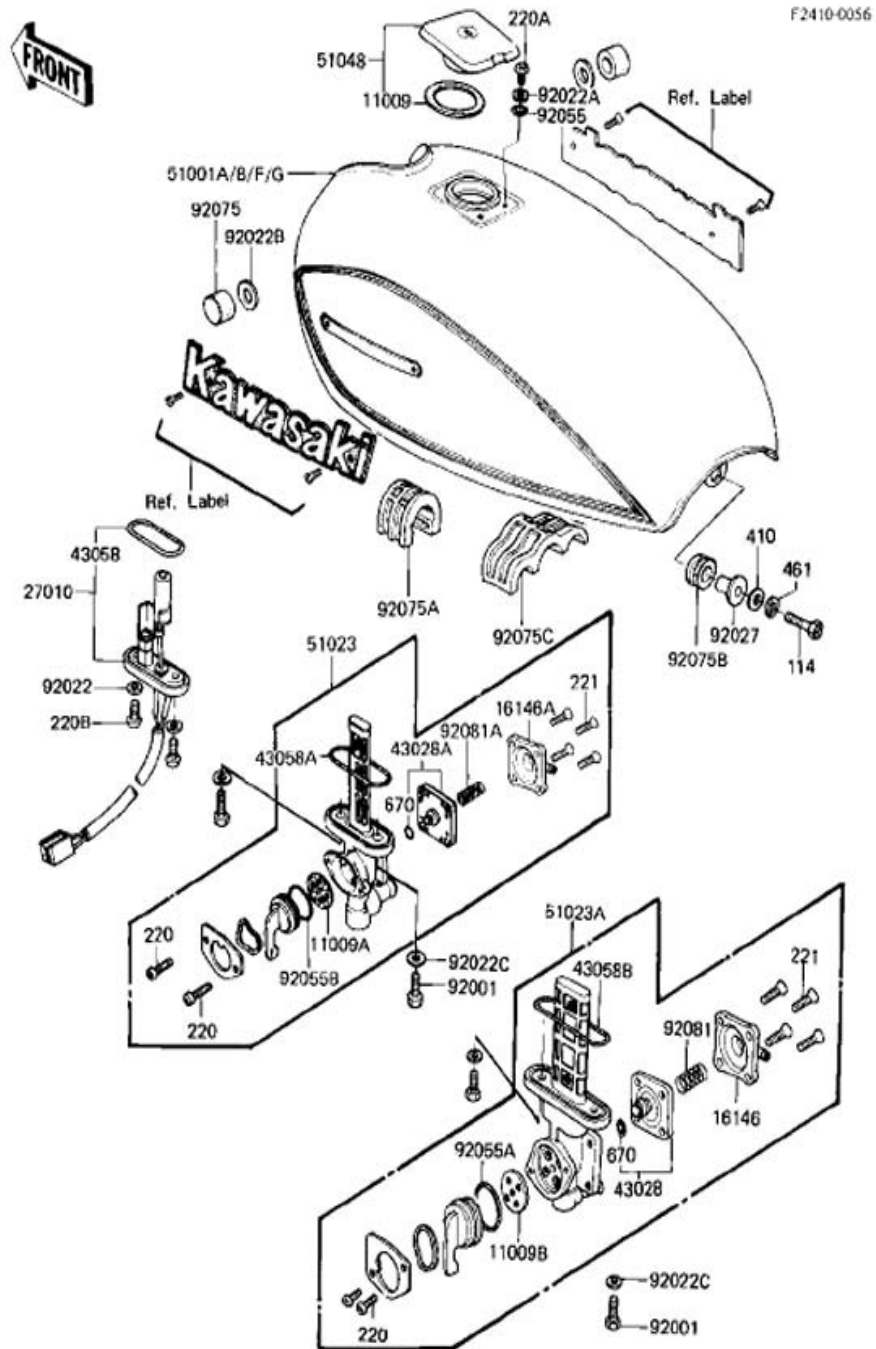
Master Cylinder H1 – H3

F2291-0042



Item	Part Number	Part Name	Quantity	H1	H2 H3	Remarks
14008	14008-1007	LINER,PISTON	1	1	1	
27010	27010-1028	SWITCH,BRAKE	1	1	1	
43015	43015-1043	CYLINDER ASSY,MASTER	1	1	1	
43020	43020-1027	PISTON-COMP-BRAKE	1	1	1	
43022	43022-1001	STOPER,PISTON	1	1	1	
43026	43026-1006	CAP,OIL CUP	1	1	1	
43028	43028-1008	DIAPHRAGM	1	1	1	
43034	43034-1001	HOLDER,MASTER CYLINDR	1	1	1	
43059	43059-1063	HOSE,BRAKE,L=520M/M	1	1		
43059A	43059-1087	HOSE-BRAKE,L=1090	1	1		
43059B	43059-1192	HOSE-BRAKE,FR,L=600	1	1		
43059C	43059-1196	HOSE-BRAKE,FR,L=1090	1		1	
43061	43061-1002	JOINT,FR BRAKE HOSE	1	1		
46092	46092-1011	LEVER,FRONT BRAKE	1	1	1	
49006	49006-1041	BOOT,DUST	1	1	1	
49016	49016-1010	DUST COVER	1	1	1	
92001	43033-003	BOLT,HEX HEAD,6X25	2	2	2	
92001A	92002-1888	BOLT,OIL,L=23	4	4		
92001A	92002-1888	BOLT,OIL,L=23	2		2	
92001B	92001-1055	SCREW,COUNTERSUNK HED	2	2	2	
92001C	92001-1056	BOLT,CLUTCH LEV FITT	1	1	1	
92015	312B0600	NUT 6MM	1	1	1	
92022	43067-001	WASHER-OIL BOLT	8	8		
92022	43067-001	WASHER-OIL BOLT	4		4	
92037	43064-006	DAMPER RUBBER,CYL HSE	1	1	1	
92037A	92037-1116	CLAMP,CABLE	1	1	1	
110	112G0612	BOLT-UPSET,6X12	1	1	1	
110A	112G0640	BOLT-UPSET,6X40	2	2	2	
130	130G0665	BOLT,FLANGED,6X65	2	2		
461	461F0600	WASHER SPRING 6MM	3	3	3	

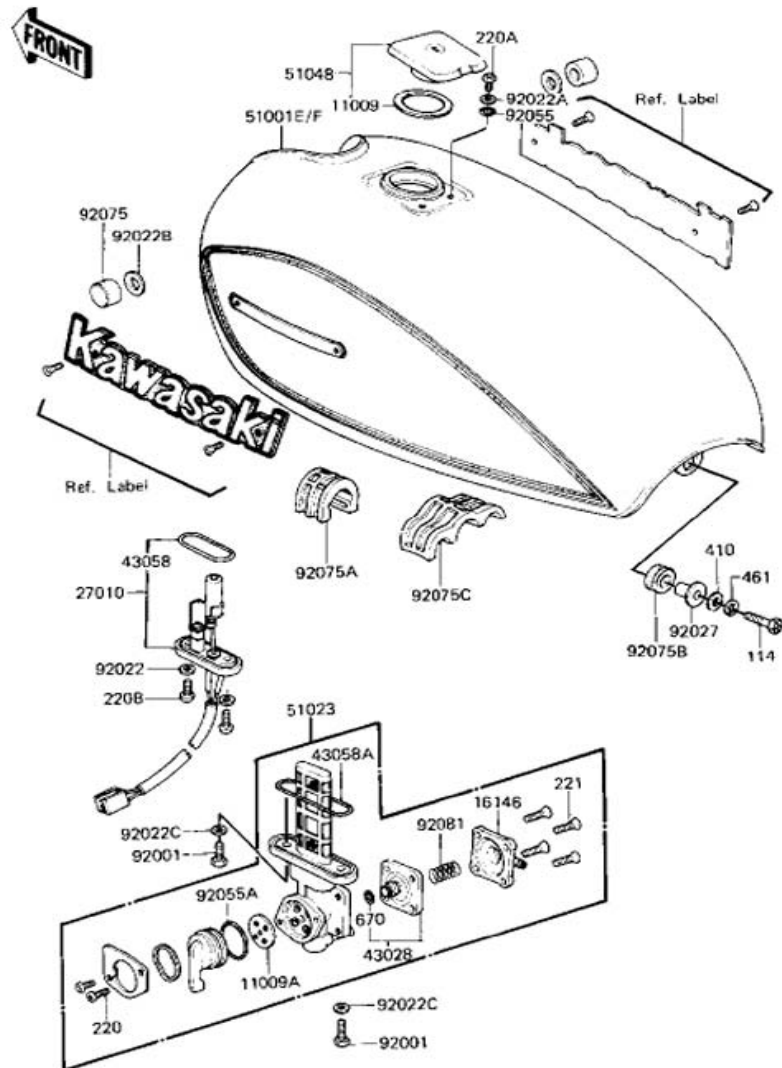
Fuel Tank H1 – H2



Item	Part Number	Part Name	Quantity	H1	H2	Remarks
11009	11009-1051	GASKET,FUEL TANK CAP	1	1	1	
11009A	11009-1188	GASKET,FUEL TAP	1	1		
11009B	11009-1194	GASKET,TAP VALVE	1		1	
16146	16146-1005	COVER ASSY,TAP	1		1	
16146A	16146-1010	COVER-ASSY,TAP DIAPHR	1	1		
27010	27010-1055	SWITCH,FUEL LEVEL	1	1	1	
43028	43028-1015	DIAPHRAGM ASSY,TAP	1		1	
43028A	43028-1021	DIAPHRAGM VALVE ASSY	1	1		
43058	43058-1004	"O" RING,FUEL SWITCH	1	1	1	
43058A	51039-003	"O" RING	1	1		
43058B	51039-010	"O" RING	1		1	
51001A	51001-1057-8G	TANK-FUEL,EBONY	1	1		
51001B	51001-1057-8K	TANK-FUEL,S.BLUE	1	1		
51001F	51001-5137-E2	TANK-FUEL,L.M.RED	1	1		
51001G	51001-5137-8G	TANK-FUEL,EBONY	1		1	US
51023	51023-1157	TAP ASSY,FUEL	1	1		
51023A	51023-1039	TAP-ASSY,FUEL	1		1	
51048	51048-1018	CAP ASSY TANK	1	1	1	
92001	92001-1091	BOLT,6X20,FUEL TAP	2	2	2	
92022	92022-1023	WASHER,5.2X10X1.5	2	2	2	
92022A	92022-1038	WASHER,PLAIN	2	2	2	
92022B	92022-137	WASHER,PLAIN,10M/M	2	2	2	
92022C	92022-183	WASHER-PLAIN	2	2	2	
92027	92027-1116	COLLAR,ENGINE HEAD	1	1	1	
92055	92055-1023	"O" RING	2	2	2	
92055A	92055-1027	"O" RING,TAP LEVER	1		1	
92055B	92055-1085	"O" RING,FUEL TAP LEV	1	1		
92075	92075-044	DAMPER RUBBER	2	2	2	
92075A	92075-1065	DAMPER,FUEL TANK	1	1	1	
92075B	92075-1086	DAMPER RUBBER,MUFFLER	1	1	1	
92075C	92075-1245	DAMPER,FUEL TANK	1	1	1	
92081	92081-1171	SPRING,TAP	1		1	
92081A	92081-1240	SPRING,DIAPHRAGM VALV	1	1		
114	115G0830	BOLT-SMALL-UPSET,8X30	1	1	1	
220	220B0308	SCREW PAN HEAD 3X8	2	2	2	
220A	220B0510	SCREW PAN HEAD 5X10	2	2	2	
220B	220B0514	SCREW-PAN-CROS	2	2	2	
221	221B0414	SCREW-CSK-CROS,4X14	4	4	4	
410	410B0800	WASHER PLAIN 8MM	1	1	1	
461	461F0800	WASHER SPRING 8MM	1	1	1	
670	670B1504	"O" RING,4MM	1	1	1	

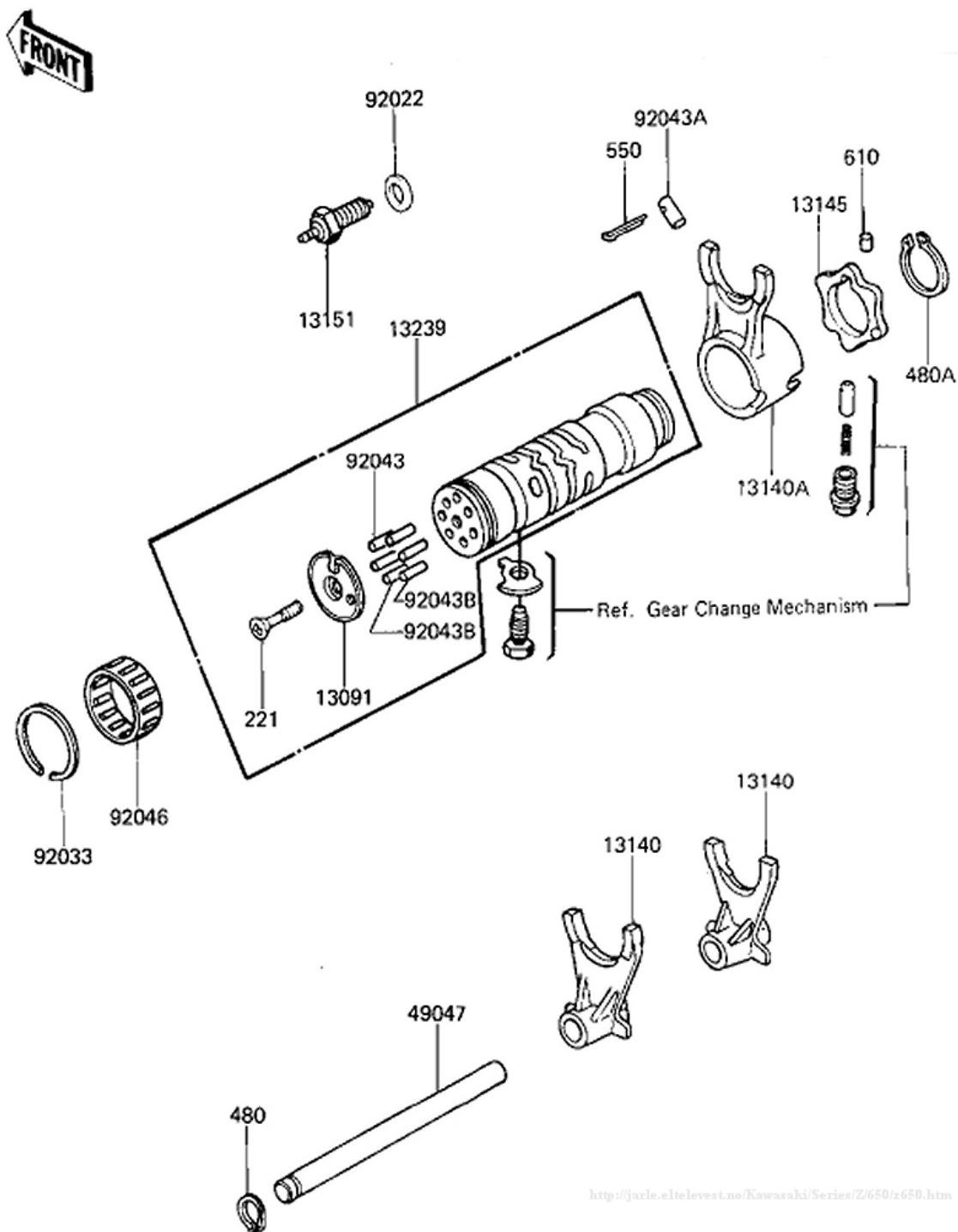
Fuel Tank H3

F2410-0003



Item	Part Number	Part Name	Quantity	H3	Remarks
11009	11009-1051	GASKET,FUEL TANK CAP	1	1	
11009A	11009-1194	GASKET,TAP VALVE	1	1	
16146	16146-1005	COVER ASSY,TAP	1	1	
27010	27010-1055	SWITCH,FUEL LEVEL	1	1	
43028	43028-1015	DIAPHRAGM ASSY,TAP	1	1	
43058	43058-1004	"O" RING,FUEL SWITCH	1	1	
43058A	43058-1004	"O" RING,FUEL SWITCH	1	1	
51001E	51001-5191-E2	TANK-COMP-FUEL,L M RE	1	1	
51001F	51001-5192-H8	TANK-COMP-FUEL,EBONY	1	1	
51023	51023-1039	TAP-ASSY,FUEL	1	1	
51048	51048-1018	CAP ASSY TANK	1	1	
92001	92001-1091	BOLT,6X20,FUEL TAP	2	2	
92022	92022-1023	WASHER,5.2X10X1.5	2	2	
92022A	92022-1038	WASHER,PLAIN	2	2	
92022B	92022-137	WASHER,PLAIN,10M/M	2	2	
92022C	92022-183	WASHER-PLAIN	2	2	
92027	92027-1116	COLLAR,ENGINE HEAD	1	1	
92055	92055-1023	"O" RING	2	2	
92055A	92055-1027	"O" RING,TAP LEVER	1	1	
92075	92075-044	DAMPER RUBBER	2	2	
92075A	92075-1065	DAMPER,FUEL TANK	1	1	
92075B	92075-1086	DAMPER RUBBER,MUFFLER	1	1	
92075C	92075-1245	DAMPER,FUEL TANK	1	1	
92081	92081-1171	SPRING,TAP	1	1	
114	115G0830	BOLT-SMALL-UPSET,8X30	1	1	
220	220B0308	SCREW PAN HEAD 3X8	2	2	
220A	220B0510	SCREW PAN HEAD 5X10	2	2	
220B	220B0514	SCREW-PAN-CROS	2	2	
221	221B0414	SCREW-CSK-CROS,4X14	4	4	
410	410B0800	WASHER PLAIN 8MM	1	1	
461	461F0800	WASHER SPRING 8MM	1	1	
670	670B1504	"O" RING,4MM	1	1	

GEAR CHANGE DRUM & FORKS H1 - H3

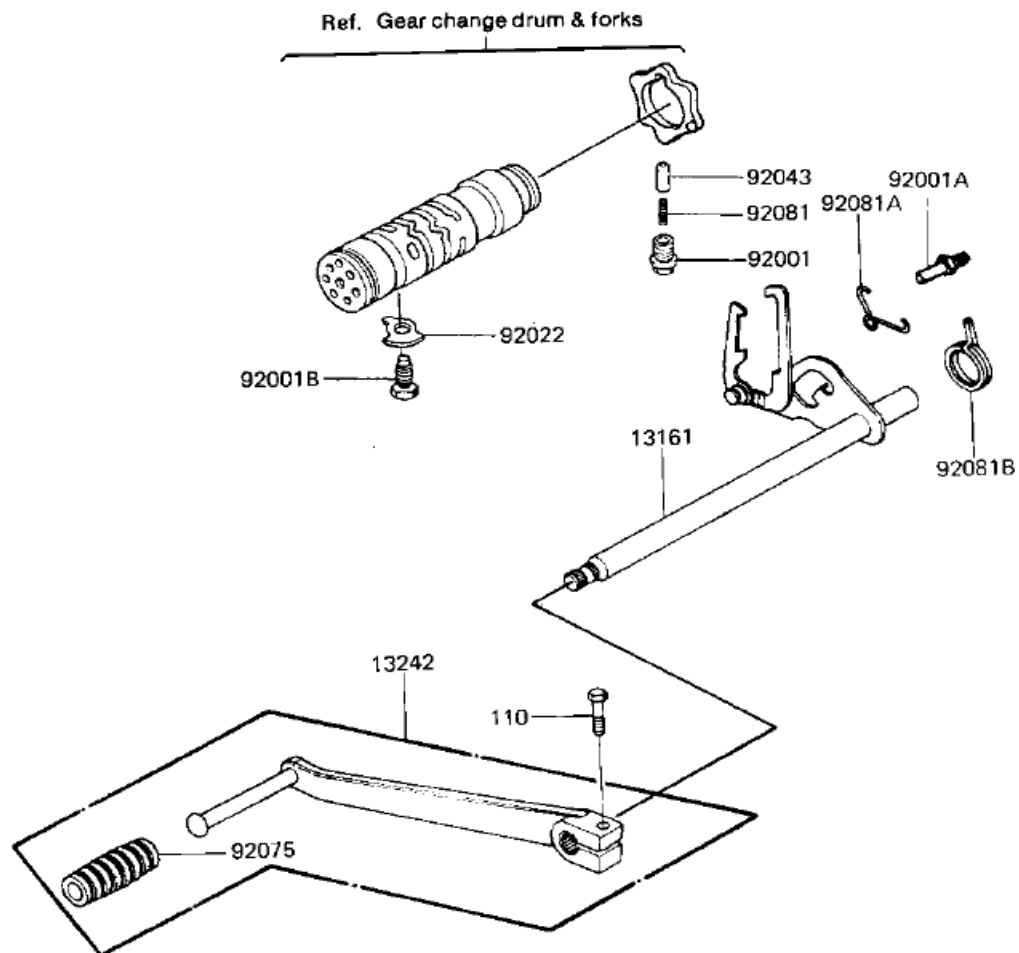


<http://farle.eltelevest.no/Kawasaki/Series/Z/650/z650.htm>

Item	Part Number	Part Name	Quantity	H1	H2	Remarks
13091	13091-1104	HOLDER,CHANGE DRUM PI	1	1	1	
13140	13140-1008	SHIFT FORK,LOW,2&3RD	2	2	2	
13140A	13140-1009	SHIFT FORK,4TH & TOP	1	1	1	
13145	13145-1058	CAM-CHANGE DRUM	1	1	1	
13151	13151-1007	SWITCH,NEUTRAL	1	1	1	
13239	13239-1069	DRUM-ASSY-CHANGE	1	1	1	
49047	49047-5003	ROD-SHIFT	1	1	1	
92022	92065-058	GASKET CHECK VALVE	1	1	1	
92033	92033-035	CIRCLIP,37MM	1	1	1	
92043	92042-014	PIN GEAR CHANGE DRUM	1	1	1	
92043A	92042-021	DOWEL PIN,8X18	1	1	1	
92043B	92042-030	PIN,GEAR CHNGE DRUM	5	5	5	
92046	92046-051	BRG,NEDL,37BTM4312	1	1	1	
221	221B0620	SCREW CNTSNK HD 6X20	1	1	1	
480	480J1200	CIRCLIP 12MM	1	1	1	
480A	480J3000	CIRCLIP,30MM	1	1	1	
550	550D3020	PIN COTTER 3.0X20	1	1	1	
610	610A0406	PIN-DOWEL,4X6	1	1	1	

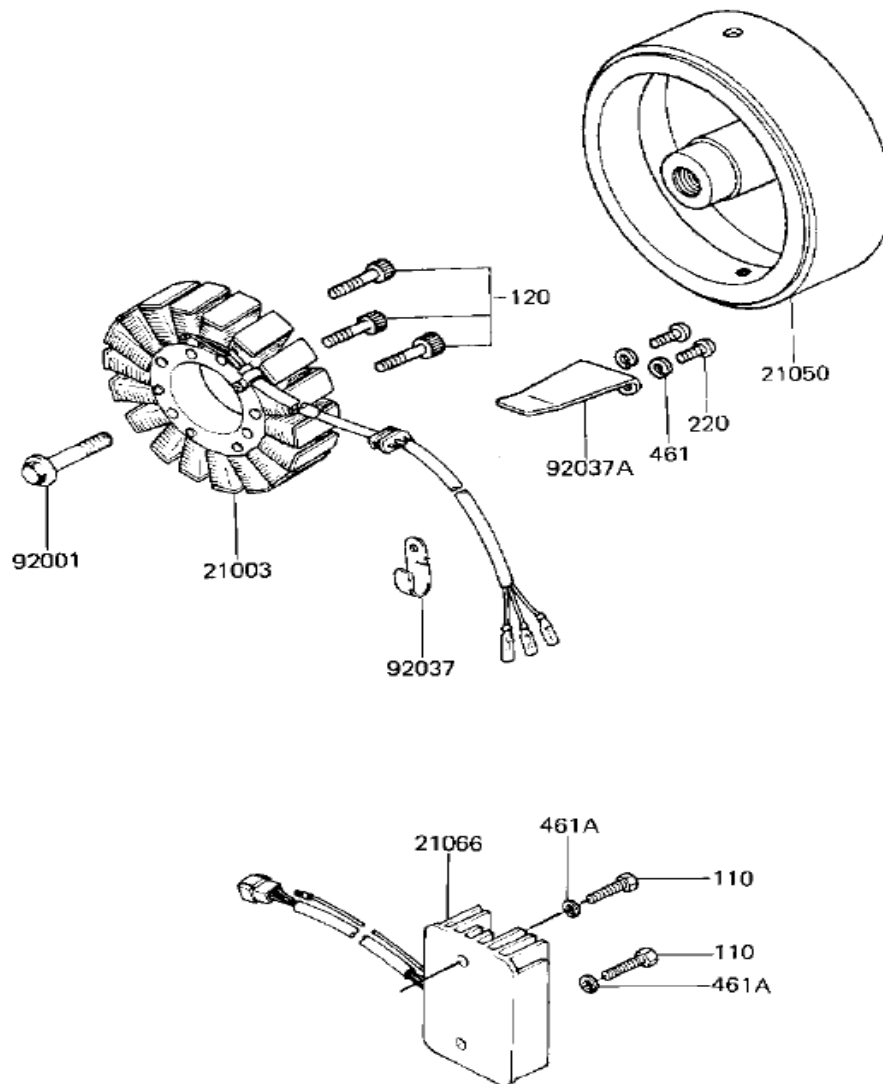
KZ650CSR

GEAR CHANGE MECHANISM H1 - H3



Item	Part Number	Part Name	Quantity	H1	H2	Remarks
13161	13161-042	LEVER ASSY,GEAR SFT	1	1	1	
13242	13242-1031	PEDAL ASSY,CHANGE	1	1	1	
92001	92001-1037	BOLT,NEUTRAL POSITION	1	1	1	
92001A	92001-1401	BOLT,RETURN SPRING	1	1	1	
92001B	92001-174	BOLT,HEX HEAD,10X26	1	1	1	
92022	92024-074	WASHER,LOCK,10MM	1	1	1	
92043	92043-076	PIN-NEUTRAL POSITION	1	1	1	
92075	92160-1036	DAMPER,CHANGE PEDAL	1	1	1	
92081	92081-112	SPRING	1	1	1	
92081A	92083-018	SPRING,KICK PAWL	1	1	1	
92081B	92083-028	SPRING,CHG PEDL RTRN	1	1	1	
110	112G0620	BOLT-UPSET,6X20	1	1	1	

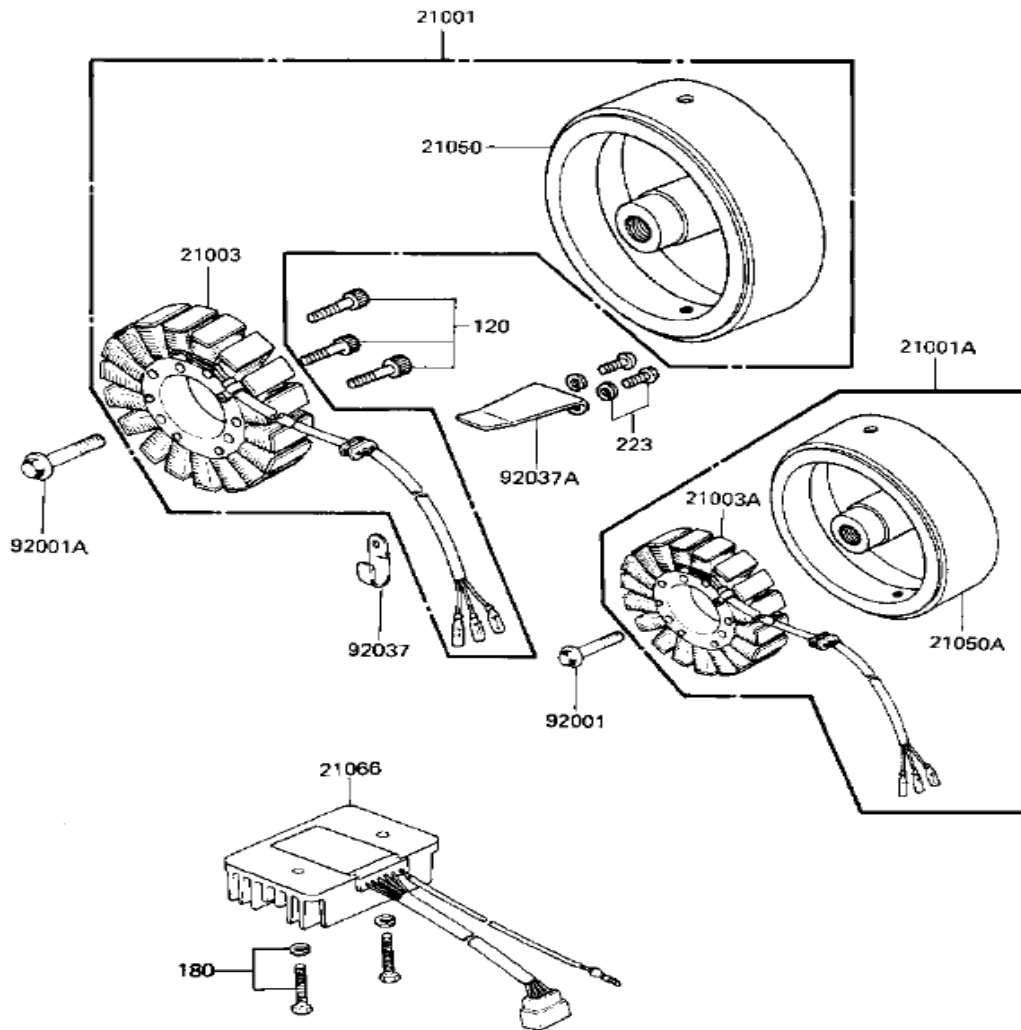
GENERATOR/REGULATOR H1 - H2



Item	Part Number	Part Name	Quantity	H1	H2	Remarks
21003	21003-1083	STATOR	1	1	1	
21050	21050-1015	FLYWHEEL,MAGNETO	1	1	1	
21066	21066-1008	REGULATOR,VOLTAGE	1	1	1	
92001	92001-1201	BOLT,10X40	1	1	1	
92037	21126-008	CLAMP,WIRING HARNESS	1	1	1	
92037A	92037-1122	CLAMP,GENERATOR WIRE	1	1	1	
110	112G0625	BOLT-UPSET	2	2	2	
120	120P0530	BOLT-SOCKET,5X30	3	3	3	
220	220B0512	SCREW PAN HEAD 5X12	2	2	2	
461	461F0500	WASHER SPRING 5MM	2	2	2	
461A	461F0600	WASHER SPRING 6MM	2	2	2	

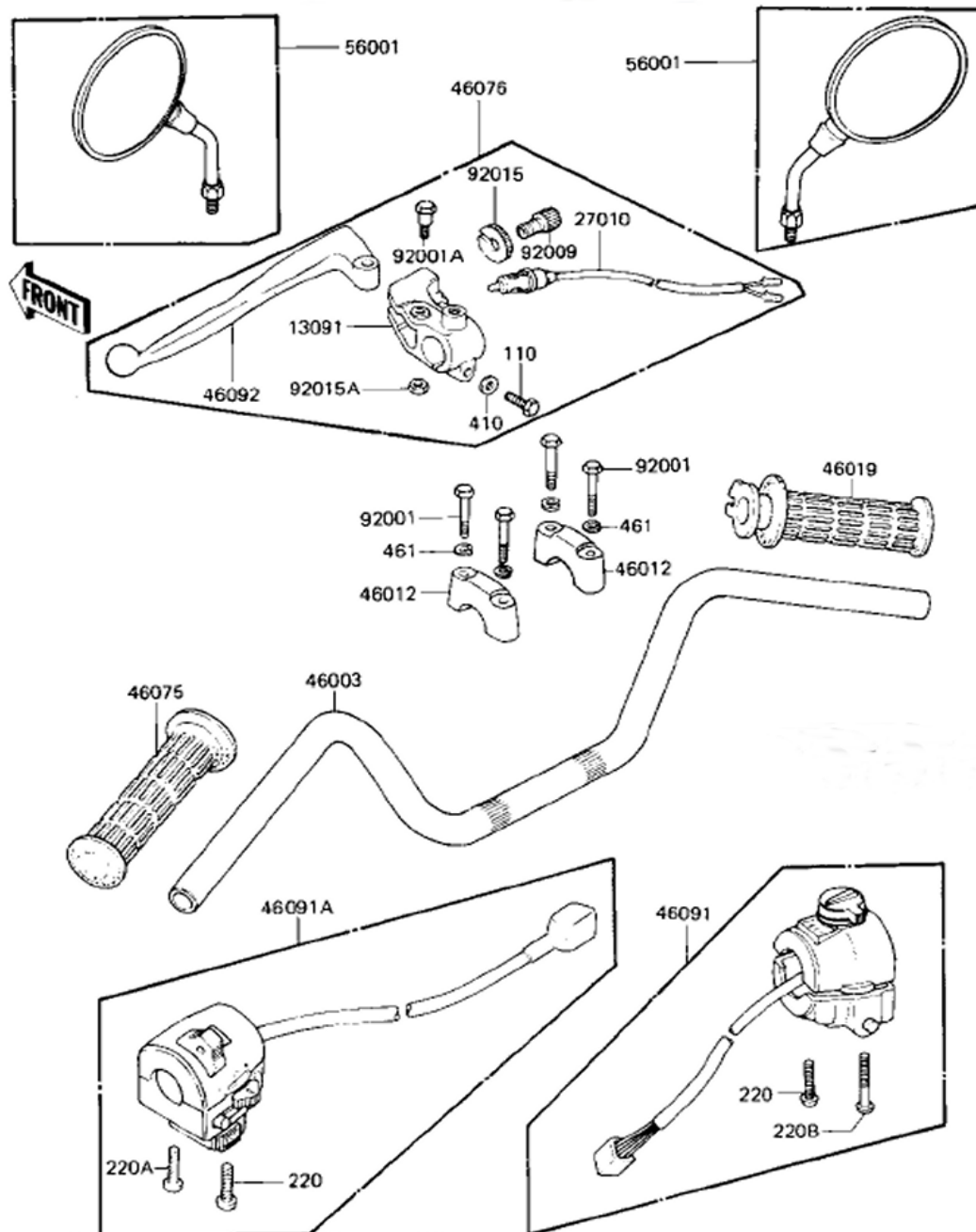
Generator/Regulator H3

E1819-0117



Item	Part Number	Part Name	Quantity	H3	Remarks
21003	21003-1083	STATOR	1	1	
21003A	21003-1083	STATOR	1	1	
21050	21050-1015	FLYWHEEL,MAGNETO	1	1	
21050A	21050-1041	FLYWHEEL,GENERATOR	1	1	
21066	21066-1027	REGULATOR-VOLTAGE	1	1	
92001	92001-1146	BOLT,12X40	1	1	(KZ650DE052651 -)
92001A	92001-1201	BOLT,10X40	1	1	(- KZ650DE052650)
92037	21126-008	CLAMP,WIRING HARNESS	1	1	
92037A	92037-1122	CLAMP,GENERATOR WIRE	1	1	
120	120P0530	BOLT-SOCKET,5X30	3	3	
180	180B0625	BOLT-UPSET-WS,6X25	2	2	
223	223B0512	SCREW-PAN-WS-CROS	2	2	

HANDLEBAR KZ650-H1

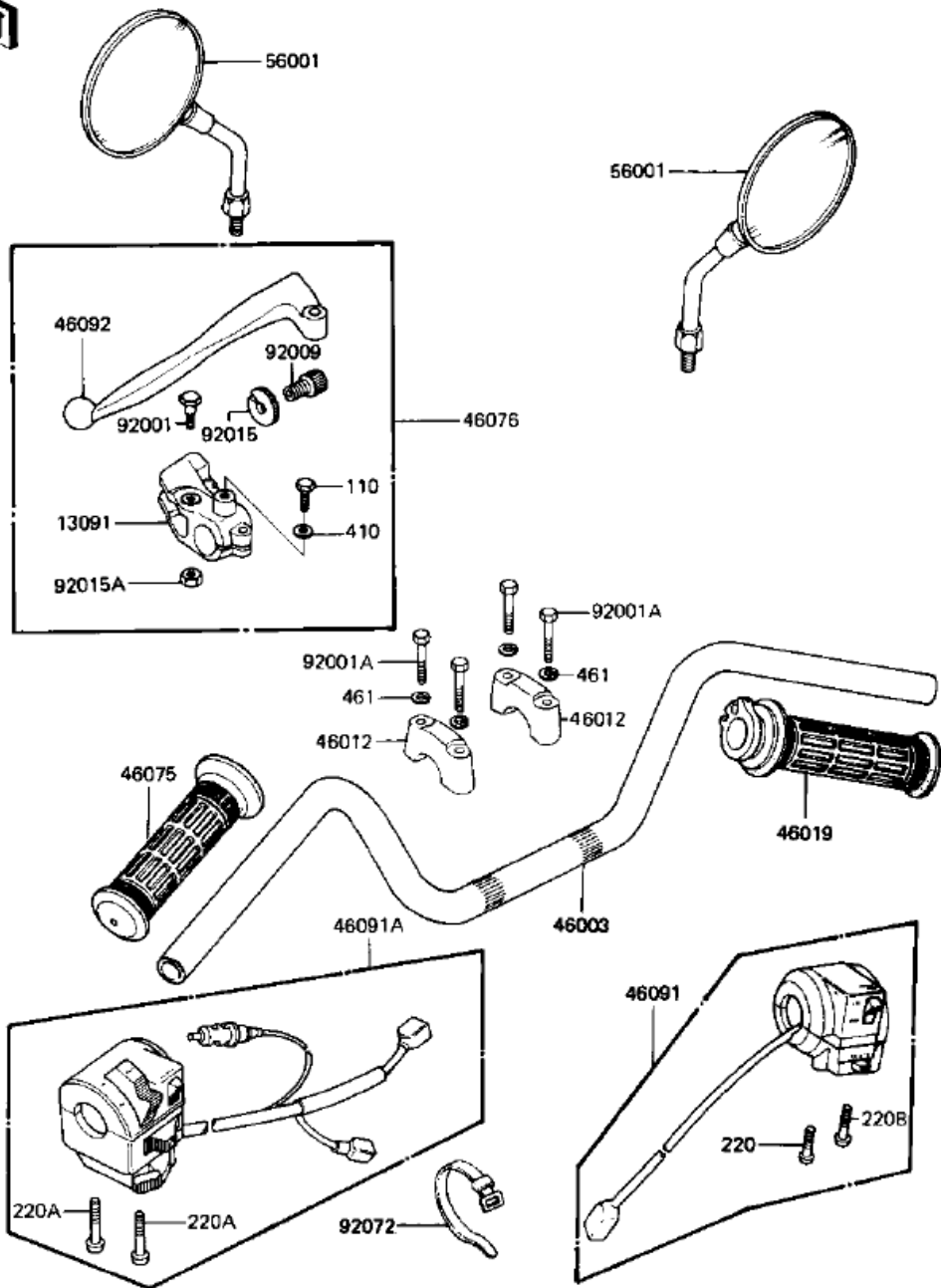


Illustrations (c) 1956-2003 Kawasaki

Item	Part Number	Part Name	Quantity	H1	Remarks
13091	46094-019	HOLDER,CLUTCH LEVER	1	1	
27010	27043-002	SWITCH,CLUTCH	1	1	
46003	46003-1047	HANDLEBAR	1	1	
46012	46012-008	HOLDER-HANDLEBAR	2	2	
46019	46019-038	GRIP ASSY,THROTTLE	1	1	
46075	46075-028	RUBBER,L.H GRIP	1	1	
46076	46076-054	LEVER ASSY,CLUTCH	1	1	
46091	46091-1121	HOUSING-ASSY-CONTROL	1	1	
46091A	46091-1162	HOUSING-ASSY-CONTROL	1	1	
46092	46092-023	LEVER,CLUTCH	1	1	
56001	56001-1340	MIRROR-ASSY	2	2	
92001	92001-1405	BOLT 8X38	4	4	
92001A	92007-047	BOLT,HEX HEAD	1	1	
92009	46055-003	SCREW CABLE ADJUST	1	1	
92015	46056-007	NUT,CABLE ADJUST NUT	1	1	
92015A	92019-008	NUT	1	1	
110	110N0625	BOLT HEX HEAD 6X25	1	1	
220	220B0530	SCREW PAN HEAD 5X30	2	2	
220A	220B0535	SCREW-PAN-CROS	1	1	
220B	220B0540	SCREW-PAN-CROS	1	1	
410	410B0600	WASHER PLAIN 6MM	1	1	
461	461F0800	WASHER SPRING 8MM	4	4	

Handlebar H2 – H3

F2310-0084

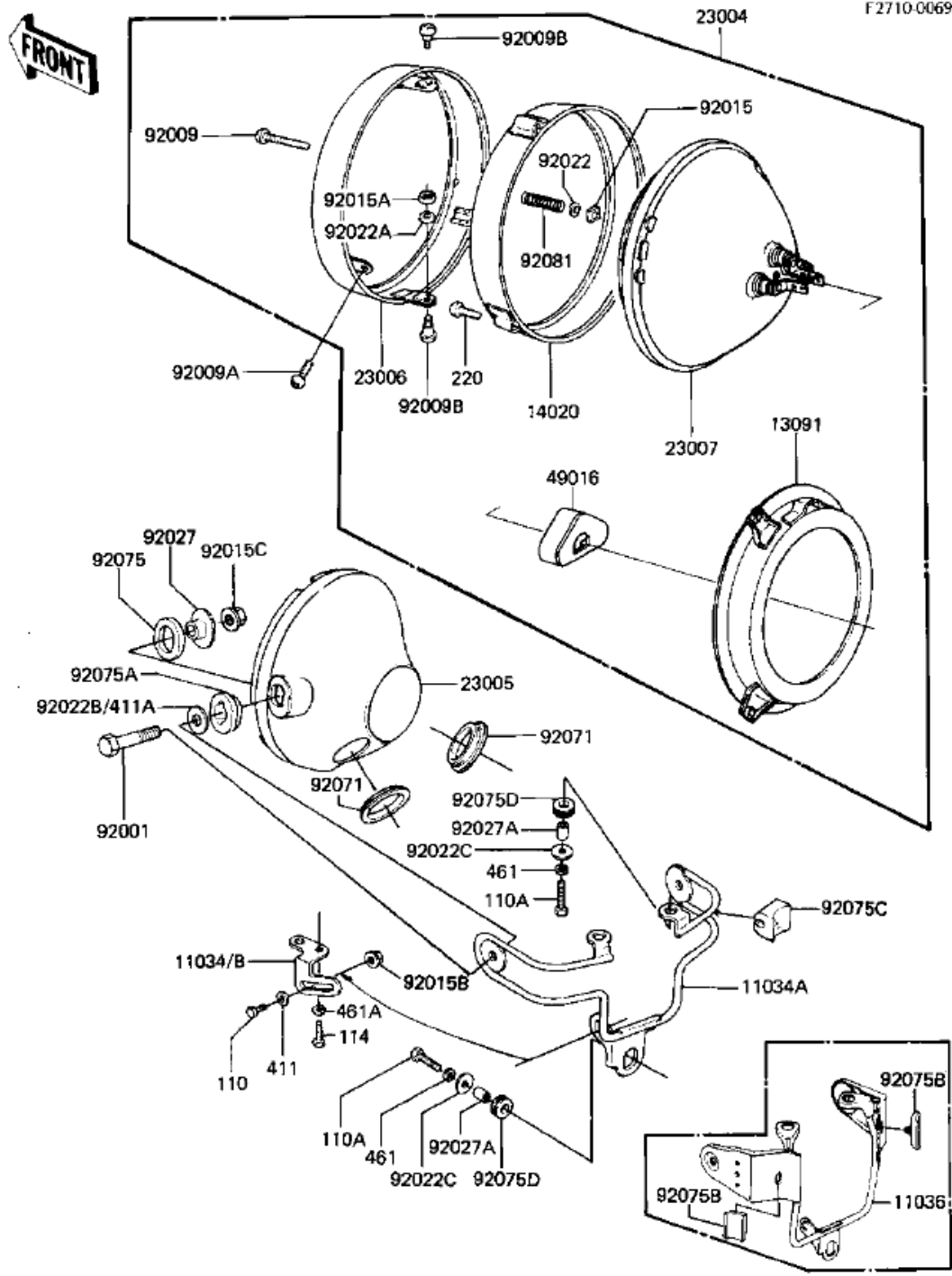


KZ

Item	Part Number	Part Name	Quantity	H2-H3	Remarks
13091	13091-1046	HOLDER,CLUTCH LEVER	1	1	
46003	46003-1070	HANDLEBAR	1	1	
46012	46012-008	HOLDER-HANDLEBAR	2	2	
46019	46019-1015	GRIP-ASSY,THROTTLE	1	1	
46075	46075-1022	GRIP,LH	1	1	
46076	46076-1019	LEVER-ASSY-GRIP,CLTCH	1	1	
46091	46091-1155	HOUSING-ASSY-CNTRL,RH	1	1	
46091A	46091-1186	HOUSING-ASSY-CNTRL,LH	1	1	
46092	46092-1005	LEVER,CLUTCH	1	1	
56001	56001-1340	MIRROR-ASSY	2	2	
92001	92001-1075	BOLT,CLUTCH LEVER FIT	1	1	
92001A	92001-1405	BOLT 8X38	4	4	
92009	46055-003	SCREW CABLE ADJUST	1	1	
92015	46056-005	NUT-LOCK	1	1	
92015A	92019-008	NUT	1	1	
92072	92072-031	BAND,MIDDLE	4	4	
110	110N0622	BOLT, HEX HEAD 6X22	1	1	
220	220B0530	SCREW PAN HEAD 5X30	1	1	
220A	220B0535	SCREW-PAN-CROS	2	2	
220B	220B0540	SCREW-PAN-CROS	1	1	
410	410B0600	WASHER PLAIN 6MM	1	1	
461	461F0800	WASHER SPRING 8MM	4	4	

HEADLIGHT H1 - H3

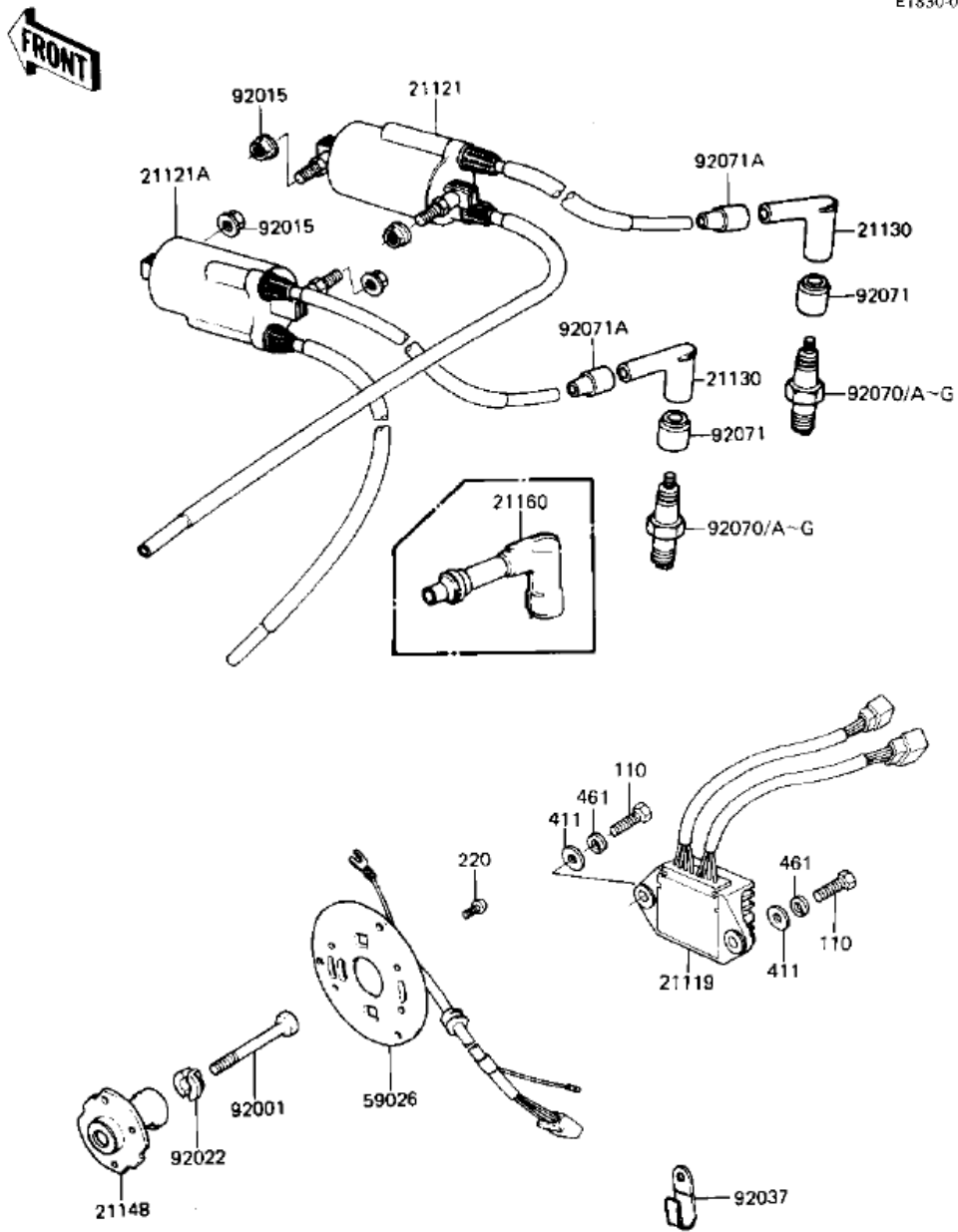
F2710-0069



Item	Part Number	Part Name	Quantity	H1	H2	Remarks
11034	11034-1676	BRACKET	1	1		
11034A	11034-1751	BRACKET,HEAD LAMP	1	1		
11034B	11034-1792	BRACKET,	1		1	
11036	11036-1173	BRACKET-A,HEAD LAMP	1		1	
13091	23074-001	RING,HEAD LAMP MOUNT	1	1	1	
14020	23072-001	RING,HEAD LAMP MOUNT	1	1	1	
23004	23004-1052	LAMP-HEAD	1	1	1	
23005	23005-1016	BODY-COMP-HEAD LAMP	1	1	1	
23006	23006-038	RIM,HEAD LAMP	1	1	1	
23007	23007-1006	SEALED BEAM UNIT	1	1	1	
49016	49016-1009	DUST COVER,HEAD LAMP	1	1	1	
92001	92007-024	BOLT,10MM	2	2	2	
92009	23019-021	SCREW FORCUS ADJUST	1	1	1	
92009A	23019-022	SCREW,PAN HEAD,5X14	2	2	2	
92009B	23019-023	SCREW-PAN HEAD,5X12	2	2	2	
92015	23020-018	NUT,4MM	2	2	2	
92015A	23020-023	NUT,HEAD LAMP RIM FIT	2	2	2	
92015B	92015-1078	NUT-6MM	1	1	1	
92015C	92015-1428	NUT,FLANGED,10MM	2	2	2	
92022	23021-004	WASHER	1	1	1	
92022A	23021-012	WASHER-PLAIN,5MM	2	2	2	
92022B	92022-1054	WASHER,HEAD LAMP	2	2		
92022C	92022-125	WASHER 6.5X20X1.6T	3	3	3	
92027	23052-011	COLLAR,HEAD LIGHT	2	2	2	
92027A	92027-162	COLLAR,REAR FENDER	3	3	3	
92071	92071-1008	GROMMET	2	2	2	
92075	23066-021	DAMPER RUBBER	2	2	2	
92075A	23066-022	DAMPER RUBBER	2	2	2	
92075B	92075-1243	DAMPER RUBBER	2		2	
92075C	92075-1257	DAMPER RUBBER,LAMP	2	2		
92075D	92075-209	DAMPER RUBBER,RR FENR	3	3	3	
92081	23014-005	SPRING FOCUS ADJUST	1	1	1	
110	112B0614	BOLT-UPSET 6X14	1	1	1	
110A	112G0625	BOLT-UPSET	3	3	3	
114	115G0816	BOLT-SMALL-UPSET,8X16	1	1	1	
220	220B0312	SCREW PAN HEAD 3X12	2	2	2	
411	411B0600	WASHER PLAIN 6MM	1	1	1	
411A	411D1000	WASHER-PLAIN,10MM	2		2	
461	461F0600	WASHER SPRING 6MM	3	3	3	
461A	461F0600	WASHER SPRING 6MM	1	1	1	

Ignition H1 – H3

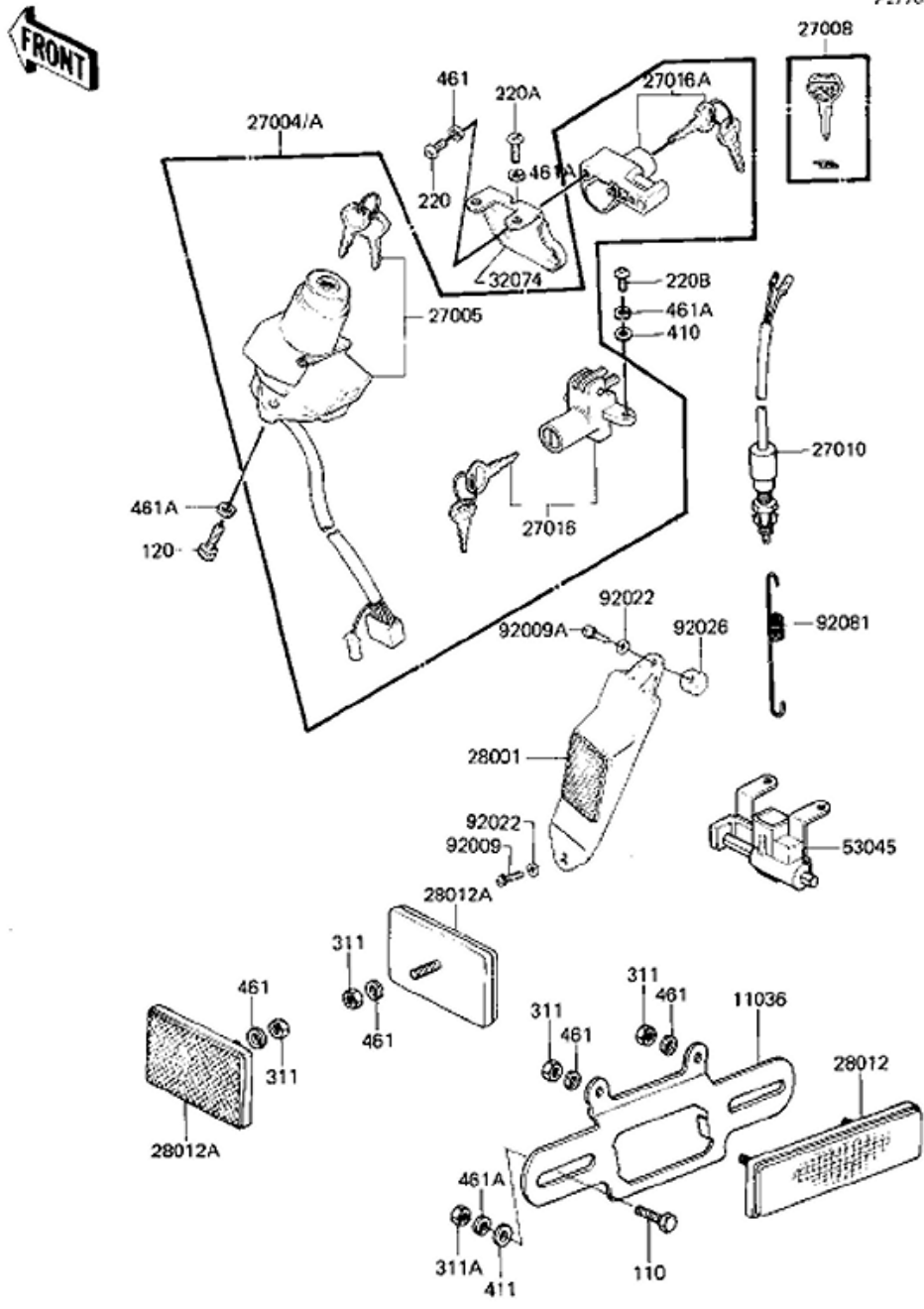
E1830-0055



Item	Part Number	Part Name	Quantity	H1	H2	Remarks
21119	21119-1040	IGNITER	1	1	1	
21121	21121-1027	COIL,IGNITION #1.#4	1	1	1	
21121A	21121-1028	COIL,IGNITION #2.#3	1	1	1	
21130	21130-1007	CAP-SPARK PLUG,RTFM20	4	4	4	US
21148	21148-1022	GOVERNOR-BREAKER	1	1	1	
21160	21160-005	CAP,SPARK PLUG	4	4		CN
59026	59026-1007	COIL,PULSING	1	1	1	
92001	92001-1397	BOLT-8X63	1	1	1	
92015	92015-1078	NUT-6MM	4	4	4	
92022	92022-244	WASHER,SPARK ADVANCER	1	1	1	
92037	21126-008	CLAMP,WIRING HARNESS	2	2	2	
92070	B7ES	SPARK PLUG B7ES	4	4	4	US
92070A	B8ES	SPARK PLUG B8ES	4	4	4	US (OPTION)
92070D	BR8ES	SPARK PLUG BR8ES	4		4	CN (OPTION)
92070F	92070-1035	SPARK PLUG BR7ES (Canada)	4		4	CN
92071	21131-004	GROMMET-PLUG CAP,A	4	4	4	US
92071A	21132-005	GROMMET,SPARK PLG CAP	4	4	4	US
110	112G0618	BOLT-UPSET	2	2	2	
220	220B0512	SCREW PAN HEAD 5X12	3	3	3	
411	411B0600	WASHER PLAIN 6MM	2	2	2	
461	461F0600	WASHER SPRING 6MM	2	2	2	

IGNITION SWITCH/LOCKS/REFLECTORS '81-'82 H1/H2

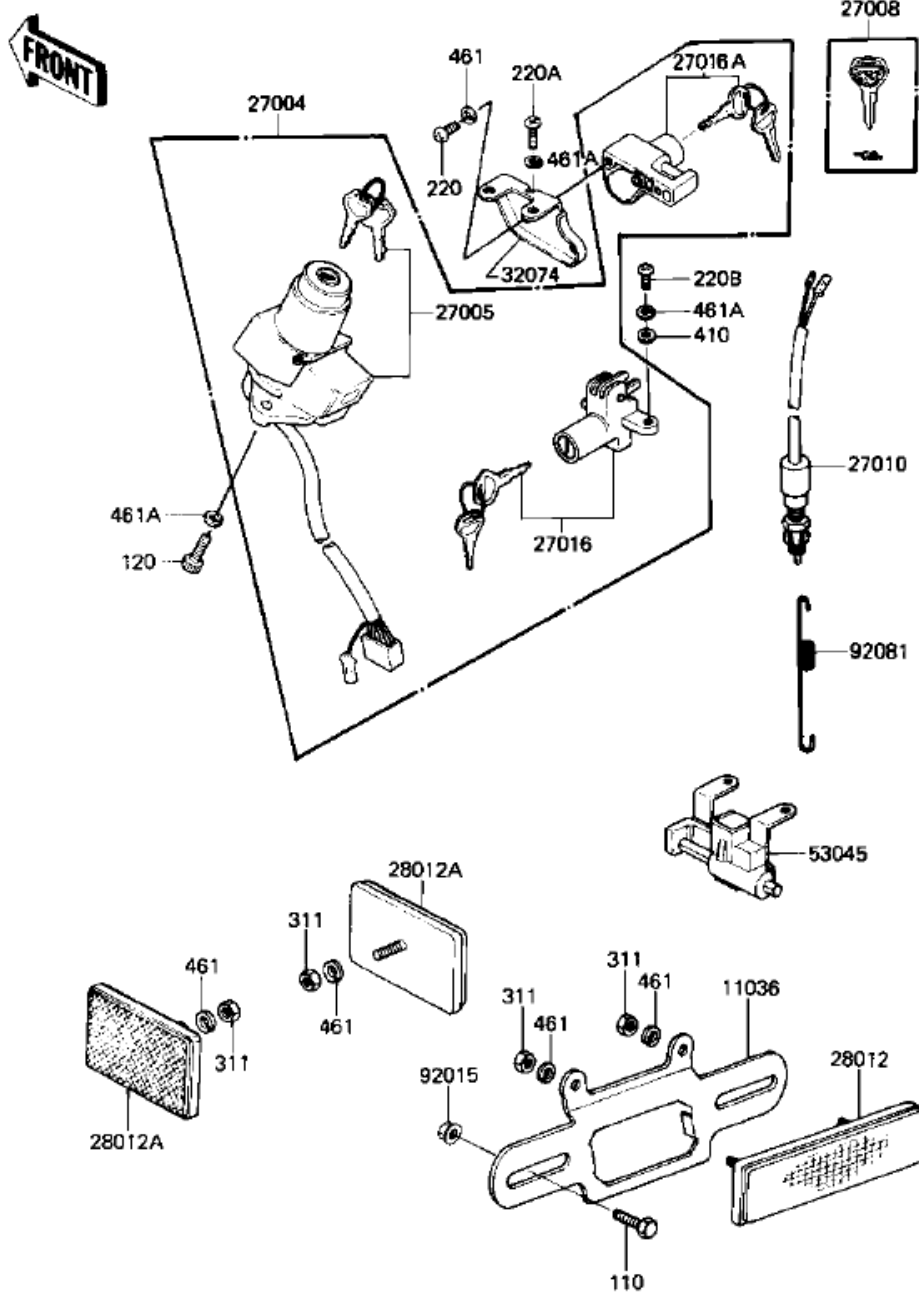
F2770-0057



Item	Part Number	Part Name	Quantity	H1	H2	Remarks
11036	11036-1150	BRACKET,REFLECTOR,RR	1		1	
27004	27004-5150	SWITCH-ASSY	1	1		
27004A	27004-5150	SWITCH-ASSY	1		1	
27005	27005-5024	SWITCH-ASSY-IGNITION	1	1	1	
27008	27008-1103	KEY-LOCK,BLANK	1	1	1	
27010	27010-1019	SWITCH,BRAKE LAMP	1	1	1	
27016	27016-5010	LOCK-ASSY,SEAT	1	1	1	
27016A	27016-5038	LOCK ASSY,HELMET	1	1	1	
28001	28001-1015	REFLECTOR ASSY,FRONT	2	2		
28012	28012-1005	REFLECTOR,REAR REFLEX	1		1	
28012A	28012-1009	REFLECTOR-REFLEX	2		2	
32074	32074-1022	BRACKET-LOCK,HELMET	1	1	1	
53045	53045-1001	HOOK ASSY,HELMET	1	1	1	
92009	92009-1099	SCREW,5X16,BLACK	2	2		
92009A	92009-1100	SCREW,PAN HEAD,5X30	2	2		
92022	25009-004	WASHER,5.2X16X16X1.2T	4	4		
92026	92026-1077	SCREW,5.2X23X13	2	2		
92081	27011-015	SPRING,BRAKE LIGHT SW	1	1	1	
110	112G0612	BOLT-UPSET,6X12	2		2	
120	120S0616	BOLT-SOCKET,6X16,BLAC	2	2	2	
220	220B0508	SCREW PAN HEAD 5X8	2	2	2	
220A	220B0612	SCREW PAN HEAD 6X12	2	2	2	
220B	220B0614	SCREW PAN HEAD 6X14	1	1	1	
311	311B0500	NUT,5MM	4		4	
311A	311B0600	NUT 6MM	2		2	
410	410B0600	WASHER PLAIN 6MM	1	1	1	
411	411B0600	WASHER PLAIN 6MM	2		2	
461	461F0500	WASHER SPRING 5MM	2	2		
461	461F0500	WASHER SPRING 5MM	6		6	
461A	461F0600	WASHER SPRING 6MM	5	5		
461A	461F0600	WASHER SPRING 6MM	7		7	

IGNITION SWITCH/LOCKS/REFLECTORS '83 H3

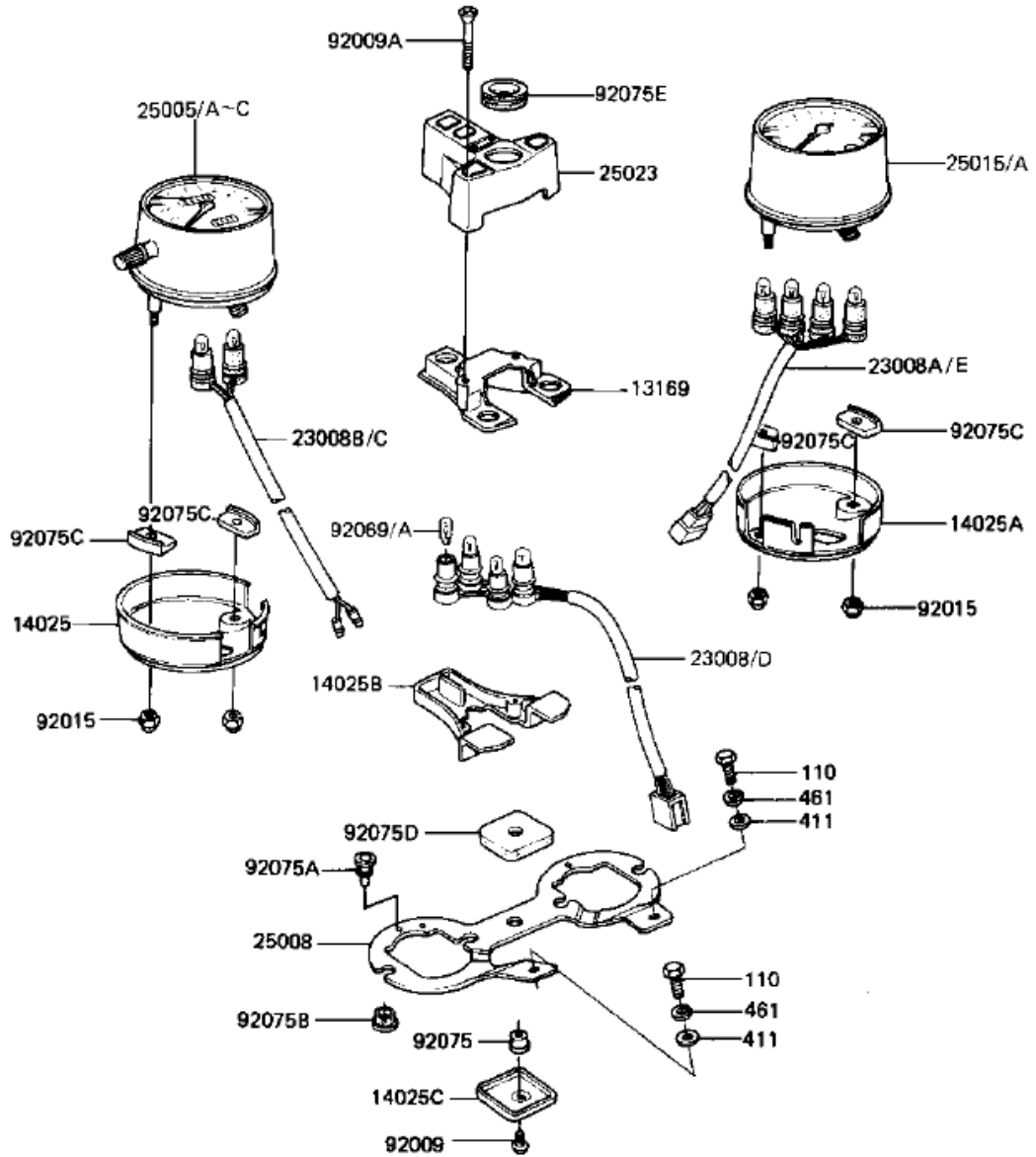
F2770-0153



Item	Part Number	Part Name	Quantity	H3	Remarks
11036	11036-1150	BRACKET,REFLECTOR,RR	1	1	
27004	27004-5150	SWITCH-ASSY	1	1	
27005	27005-5024	SWITCH-ASSY-IGNITION	1	1	
27008	27008-1103	KEY-LOCK,BLANK	1	1	
27010	27010-1019	SWITCH,BRAKE LAMP	1	1	
27016	27016-5010	LOCK-ASSY,SEAT	1	1	
27016A	27016-5038	LOCK ASSY,HELMET	1	1	
28012	28012-1005	REFLECTOR,REAR REFLEX	1	1	
28012A	28012-1009	REFLECTOR-REFLEX	2	2	
32074	32074-1035	BRACKET-LOCK,HELMET,B	1	1	
53045	53045-1001	HOOK ASSY,HELMET	1	1	
92015	92015-1078	NUT-6MM	2	2	
92081	27011-007	SPRING BRAKE LAMP SW	1	1	
110	112G0612	BOLT-UPSET,6X12	2	2	
120	120S0616	BOLT-SOCKET,6X16,BLAC	2	2	
220	220B0508	SCREW PAN HEAD 5X8	2	2	
220A	220B0612	SCREW PAN HEAD 6X12	2	2	
220B	220B0614	SCREW PAN HEAD 6X14	1	1	
311	311B0500	NUT,5MM	4	4	
410	410B0600	WASHER PLAIN 6MM	1	1	
461	461F0500	WASHER SPRING 5MM	6	6	
461A	461F0600	WASHER SPRING 6MM	5	5	

Instruments H1 – H3

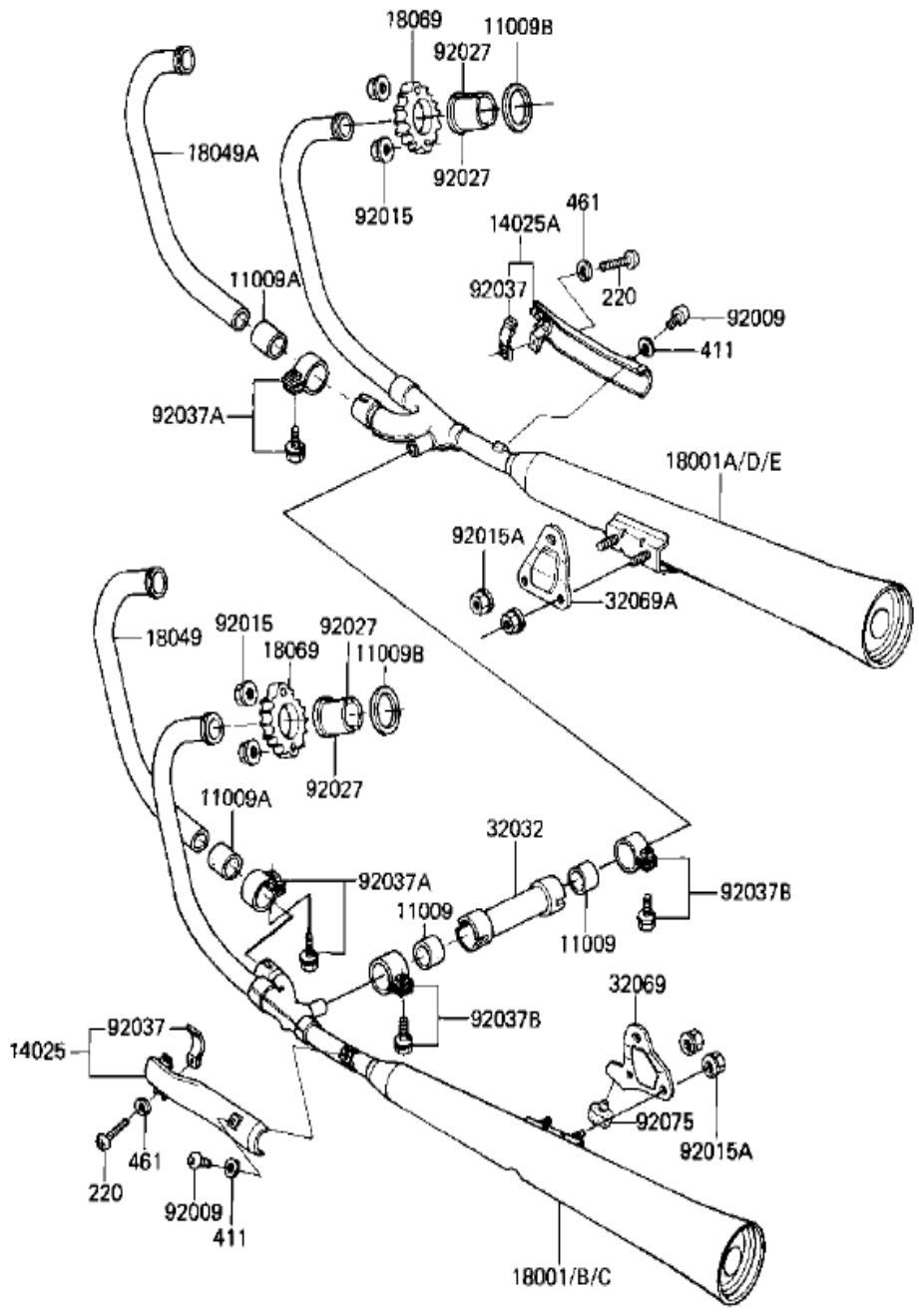
F2530-0078



Item	Part Number	Part Name	Quantity	H1	H2	Remarks
13169	13169-1268	PLATE,SOCKET	1	1	1	
14025	14025-1224	COVER,SPEEDOMETER	1	1	1	
14025A	14025-1225	COVER,TACHOMETER	1	1	1	
14025B	14025-1226	COVER,PILOT BOX LOWER	1	1	1	
14025C	14025-1227	COVER,METER BRACKET	1	1	1	
23008	23008-1061	SOCKET,PILOT BOX	1	1		
23008A	23008-1063	SOCKET-ASSY,SPEEDOMET	1	1		
23008B	23008-1076	SOCKET-ASSY,SPEEDOMET	1	1		
23008C	23008-1105	SOCKET-ASSY,SPEEDOMET	1		1	
23008D	23008-1107	SOCKET-ASSY,PILOT BOX	1		1	
23008E	23008-1117	SOCKET-ASSY,TACHOMETE	1		1	
25005	25005-1094	SPEEDOMETER,MPH	1	1	1	US
25005A	25005-1095	SPEEDOMETER,KPH (Canada)	1	1		CN
25005B	25005-1132	SPEEDOMETER,MPH	1		1	US
25005C	25005-1145	SPEEDOMETER KPH (Canada)	1		1	CN
25008	25008-1030	BRACKET,METER	1	1	1	
25015	25015-1075	TACHOMETER,X1000RPM	1	1		
25015A	25015-1107	TACHOMETER	1		1	
25023	25023-1021	COVER,PILOT BOX UPPER	1	1	1	
92009	92009-1040	SCREW,TAPPING,4X10	1	1	1	
92009A	92009-1093	SCREW,CUNTERS NK,4X35	2	2	2	
92015	322N0500	NUT-CAP,5MM	4	4	4	
92069	92069-018	BULB 12V 3W	10	10		
92069A	92069-1007	BULB,12V3.4W	10		10	
92075	25019-023	DAMPER RUBBER,MET FIT	1	1	1	
92075A	92075-1149	DAMPER,METER	2	2	2	
92075B	92075-1150	DAMPER,METER FITTING	4	4	4	
92075C	92075-1192	DAMPER,METER	4	4	4	
92075D	92075-1255	DAMPER RUBBER	1	1	1	
92075E	92075-1256	DAMPER RUBBER	1	1	1	
110	112B0614	BOLT-UPSET 6X14	2	2	2	
411	411B0600	WASHER PLAIN 6MM	2	2	2	
461	461F0600	WASHER SPRING 6MM	2	2	2	

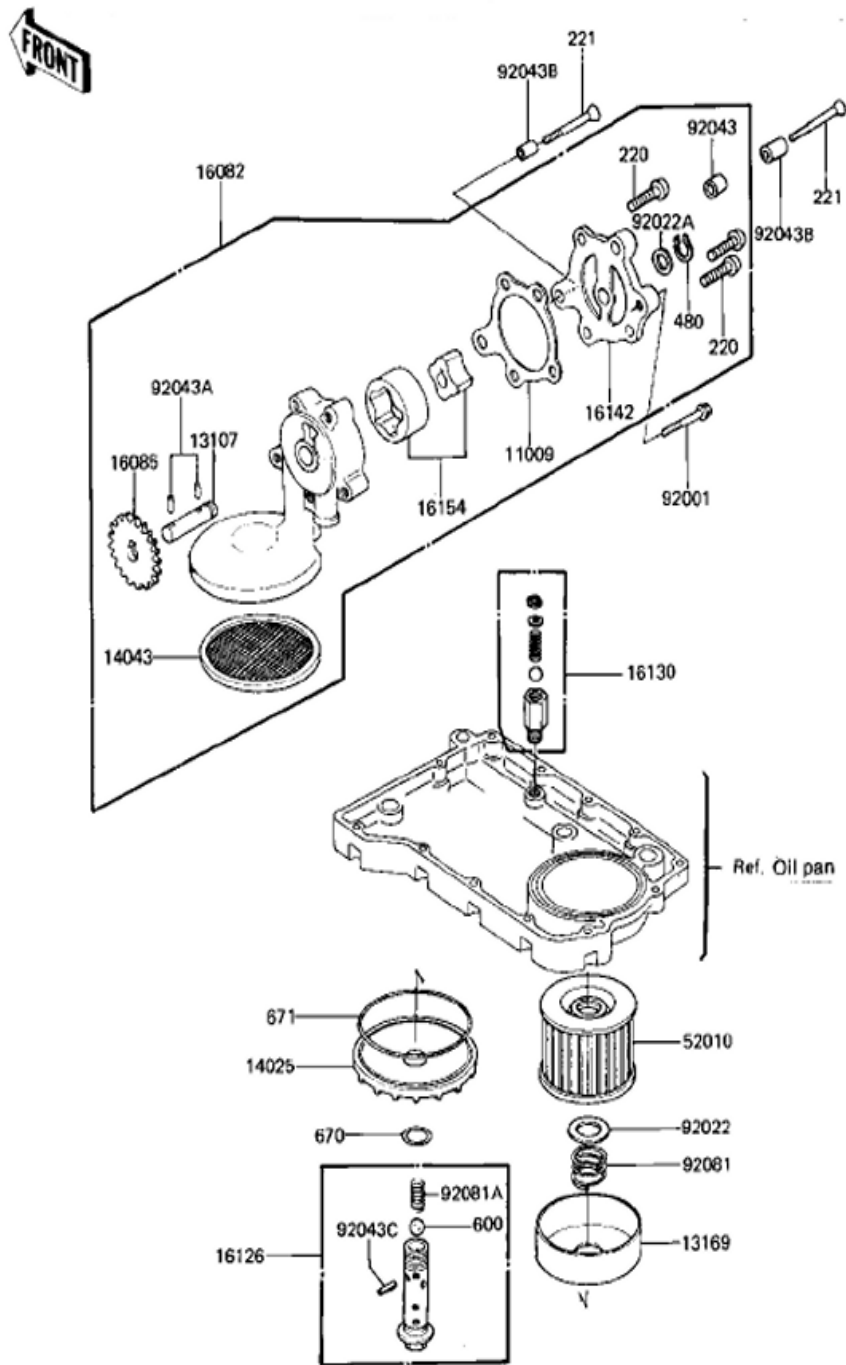
MUFFLERS '81-'83 H1 - H3

E1140-0048



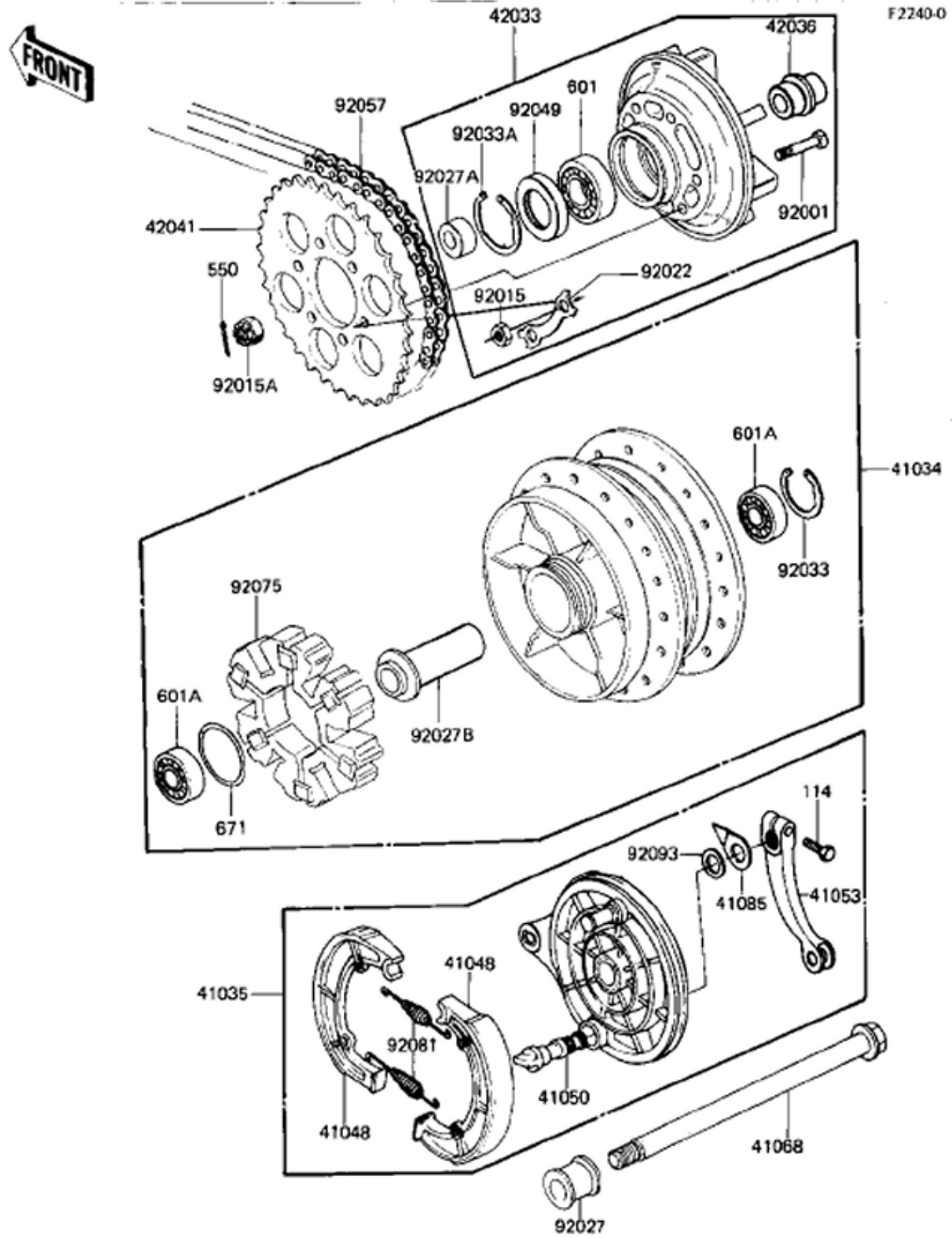
Item	Part Number	Part Name	Quantity	H1	H2	Remarks
11009	11060-1051	GASKET,MUFFLER CONNEC	2	2	2	
11009A	11009-1667	GASKET,EXHAUST PIPE C	2	2	2	
11009B	11009-1866	GASKET,EXHAUST PIPE H	4	4	4	
14025	14025-1518	COVER,MUFFLER,LH	1	1	1	
14025A	14025-1519	COVER,MUFFLER,RH	1	1	1	
18001	18001-1256	MUFFLER,LH	1	1		(- JKAKZEH1 CA012600)
18001A	18001-1257	MUFFLER,RH	1	1		(- JKAKZEH1 CA012600)
18001B	18001-1256	MUFFLER,LH	1		1	
18001C	18001-1256	MUFFLER,LH	1	1		(JKAKZEH1 CA012601 -)
18001D	18001-1257	MUFFLER,RH	1		1	
18001E	18001-1257	MUFFLER,RH	1	1		(JKAKZEH1 CA012601 -)
18049	18049-1162	PIPE-EXHAUST,#2	1	1	1	
18049A	18049-1163	PIPE-EXHAUST,#3	1	1	1	
18069	18069-1006	HOLDER,EXHAUST PIPE	4	4	4	
32032	32032-1669	PIPE,MUFFLER CONNECTI	1	1	1	
32069	32069-1072	BRACKET-MUFFLER,LH	1	1	1	
32069A	32069-1073	BRACKET-MUFFLER,RH	1	1	1	
92009	92011-039	SCREW,PAN HEAD,6X8	2	2	2	
92015	92015-1078	NUT-6MM	8	8	8	
92015A	92017-013	NUT,LOCK,8MM	4	4	4	
92027	92027-1142	COLLAR,EXHAUST PIPE	8	8	8	
92037	92037-1205	CLAMP,MUFFLER COVER	2	2	2	
92037A	92037-1349	CLAMP,42MM	2	2	2	
92037B	92037-1243	CLAMP,MUFFLER,37MM	2	2	2	
92075	92075-015	DAMPER RUBB MAIN STAD	1	1	1	
220	220B0620	SCREW PAN HEAD 6X20	2	2	2	
411	411D0600	WASHER-PLAIN,6MM	2	2	2	
461	461F0600	WASHER SPRING 6MM	2	2	2	

OIL PUMP/OIL FILTER '81-'83 H1-H3



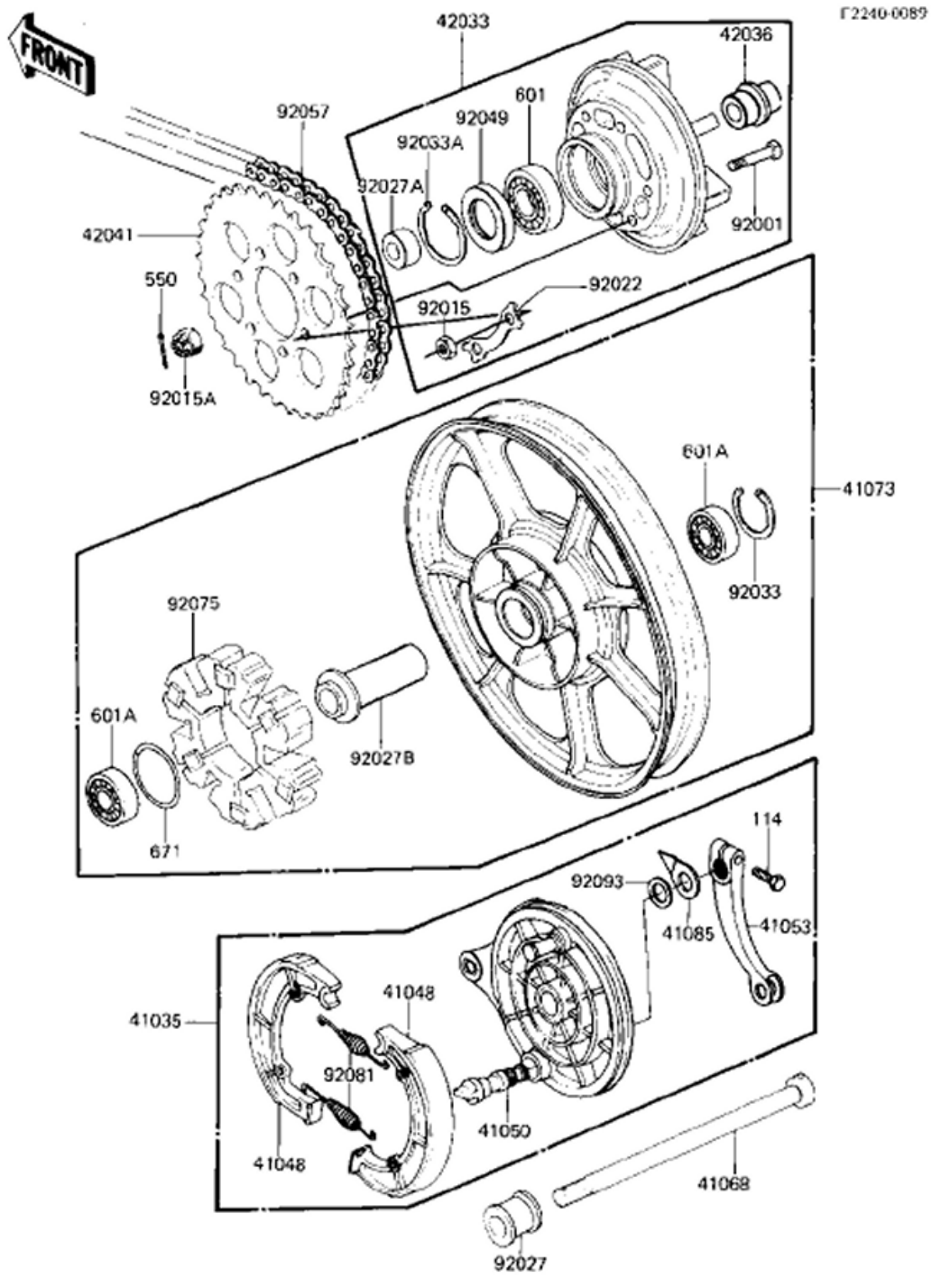
Item	Part Number	Part Name	Quantity	H1	H2	Remarks
11009	16145-004	GASKET,OIL PUMP COVER	1	1	1	
13107	16086-004	SHAFT,OIL PUMP	1	1	1	
13169	13169-1110	PLATE,OIL FILTER	1	1	1	
14025	16101-004	COVER,OIL FILTER	1	1	1	
14043	16111-004	STRAINER,OIL PUMP	1	1	1	
16082	16082-064	OIL PUMP ASSY	1	1	1	
16085	16085-025	GEAR,OIL PUMP,57T	1	1	1	
16126	16126-1108	VALVE,OIL FILTER	1	1	1	
16130	16130-1001	RELEAF VALVE ASSY	1	1	1	
16142	16142-005	COVER,OIL PUMP	1	1	1	
16154	16154-003	ROTOR ASSY,OIL PUMP	1	1	1	
52010	16099-003	FILTER,OIL	1	1	1	
92001	92001-165	BOLT,HEX HEAD,6X45	1	1	1	
92022	92022-1012	WASHER,20.5X30X1.0	1	1	1	
92022A	92022-311	WASHER,PLAIN	1	1	1	
92043	92043-1302	PIN,DOWEL,8X10	1	1	1	
92043A	92042-041	PIN,DOWEL	2	2	2	
92043B	92042-050	PIN,DOWEL,6.2X8X28	2	2	2	
92043C	92043-111	SPRING PIN	1	1	1	
92081	92081-1018	SPRING,OIL FILTER	1	1	1	
92081A	92081-109	SPRING	1	1	1	
220	220B0622	SCREW PAN HEAD 6X22	3	3	3	
221	221B0655	SCREW,CNTSNK HD,6X55	2	2	2	
480	480J1100	CIRCLIP,11MM	1	1	1	
600	600A1200	BALL STEEL 3/8'	1	1	1	
670	670B2016	"0" RING,16MM	1	1	1	
671	671B2590	"0" RING,90MM	1	1	1	

REAR HUB/BRAKE/CHAIN '81-'82 H1/H2



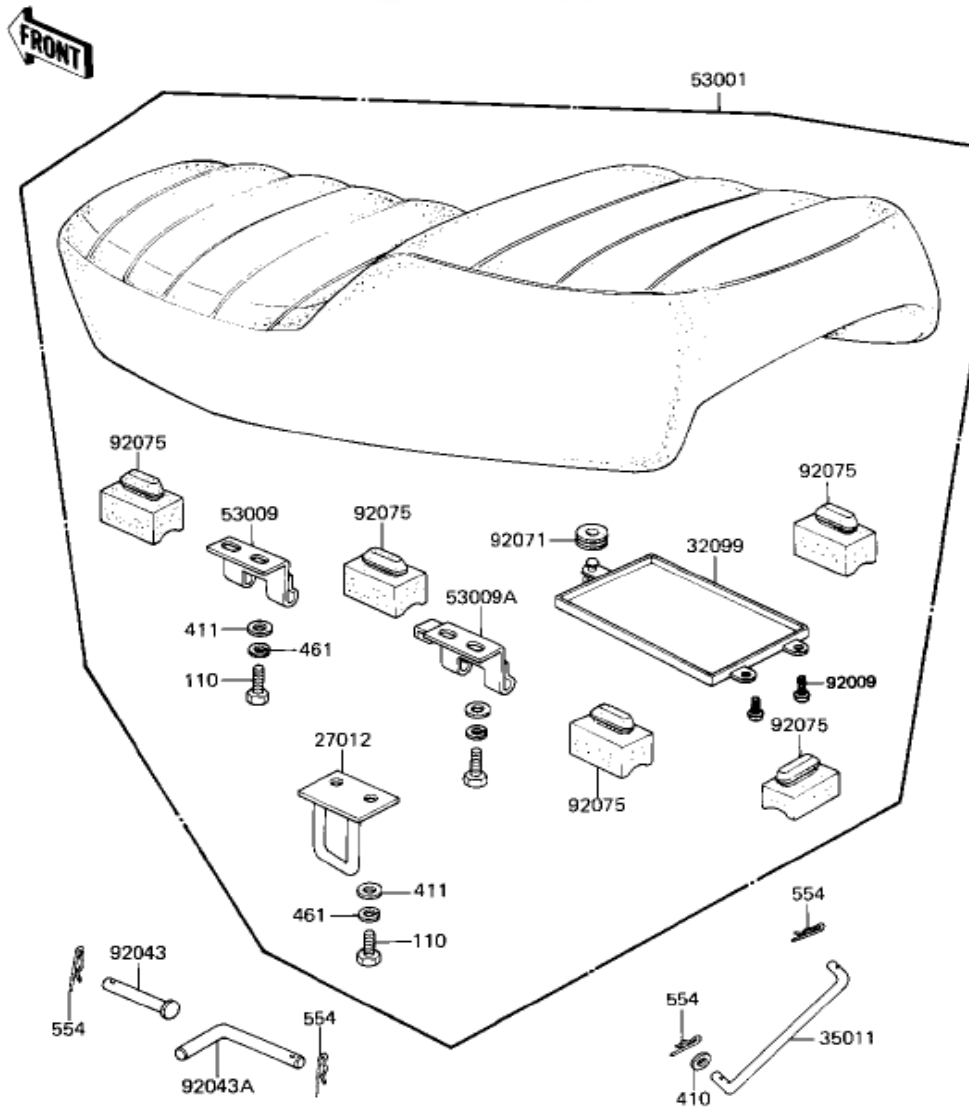
Item	Part Number	Part Name	Quantity	H1	H2	Remarks
41034	41034-1029	DRUM-ASSY,RR BRK	1	1	1	
41035	41035-1056	PANEL-ASY,RR BRK	1	1	1	
41048	42019-012	SHOE,BRAKE	2	2	2	
41050	41050-017	CAM SHAFT,BRAKE	1	1	1	
41053	42029-039	LEVER REAR BRAKE CAM	1	1	1	
41068	41068-1086	AXLE,RR	1	1	1	
41085	41085-004	INDICATOR,BRAKE SHOE	1	1	1	
42033	42033-1021	COUPLING ASSY,RR HUB	1	1	1	
42036	42036-1036	SLEEVE,RR HUB L=33M/M	1	1	1	
42041	42041-1010	REAR SPROCKET,33T	1	1	1	
92001	92001-161	BOLT	6	6	6	
92015	42045-005	NUT 10MM	6	6	6	
92015A	92015-055	NUT CASTLE,16MM	1	1	1	
92022	92022-1212	WASHER,LOCK	3	3	3	
92027	92027-1226	COLLAR,AXLE,L=28M/M	1	1	1	
92027A	92027-1262	COLLAR,RR AXLE L.H	1	1	1	
92027B	92027-1267	COLLAR,RR WHEEL BRG	1	1	1	
92033	92033-1042	CIRCLIP,47M/M	1	1	1	
92033A	92033-1044	CIRCLIP,62M/M	1	1	1	
92049	92050-027	OIL SEAL	1	1	1	
92057	92057-1041	CHAIN,630X84 S-T	1	1	1	
92075	42014-033	SHOCK DAMPER,REAR HUB	1	1	1	
92081	41049-012	SPRING,BRAKE SHOE	2	2	2	
92093	41051-003	DUST SHIELD-BRAKE CAM	1	1	1	
114	114G0828	BOLT HEX HEAD 8X28	1	1	1	
550	550D4035	PIN-COTTER,4.0X35	1	1	1	
601	601B6206	BALL BEARING,#6206	1	1	1	
601A	601B6303ZZ	BRG,BALL,#6303ZZC3	1	1	1	
671	671B2565	"O" RING,65MM	1	1	1	

REAR HUB/BRAKE/CHAIN H3



Item	Part Number	Part Name	Quantity	H3	Remarks
41035	41035-1055	PANEL-ASY,BRK BLACK	1	1	
41048	42019-012	SHOE,BRAKE	2	2	
41050	41050-017	CAM SHAFT,BRAKE	1	1	
41053	42029-039	LEVER REAR BRAKE CAM	1	1	
41068	41068-1086	AXLE,RR	1	1	
41073	41073-1190-21	WHEEL-ASSY,RR,F.BLACK	1	1	
41085	41085-004	INDICATOR,BRAKE SHOE	1	1	
42033	42033-1021	COUPLING ASSY,RR HUB	1	1	
42036	42036-1036	SLEEVE,RR HUB L=33M/M	1	1	
42041	42041-1010	REAR SPROCKET,33T	1	1	
92001	92001-161	BOLT	6	6	
92015	42045-005	NUT 10MM	6	6	
92015A	92015-055	NUT CASTLE,16MM	1	1	
92022	92022-1212	WASHER,LOCK	3	3	
92027	92027-1226	COLLAR,AXLE,L=28M/M	1	1	
92027A	92027-1262	COLLAR,RR AXLE L.H	1	1	
92027B	92027-1267	COLLAR,RR WHEEL BRG	1	1	
92033	92033-1042	CIRCLIP,47M/M	1	1	
92033A	92033-1044	CIRCLIP,62M/M	1	1	
92049	92050-027	OIL SEAL	1	1	
92057	92057-1041	CHAIN,630X84 S-T	1	1	
92075	42014-033	SHOCK DAMPER,REAR HUB	1	1	
92081	41049-012	SPRING,BRAKE SHOE	2	2	
92093	41051-003	DUST SHIELD-BRAKE CAM	1	1	
114	114G0828	BOLT HEX HEAD 8X28	1	1	
550	550D4035	PIN-COTTER,4.0X35	1	1	
601	601B6206	BALL BEARING,#6206	1	1	
601A	601B6303ZZ	BRG,BALL,#6303ZZC3	2	2	
671	671B2565	"O" RING,65MM	1	1	

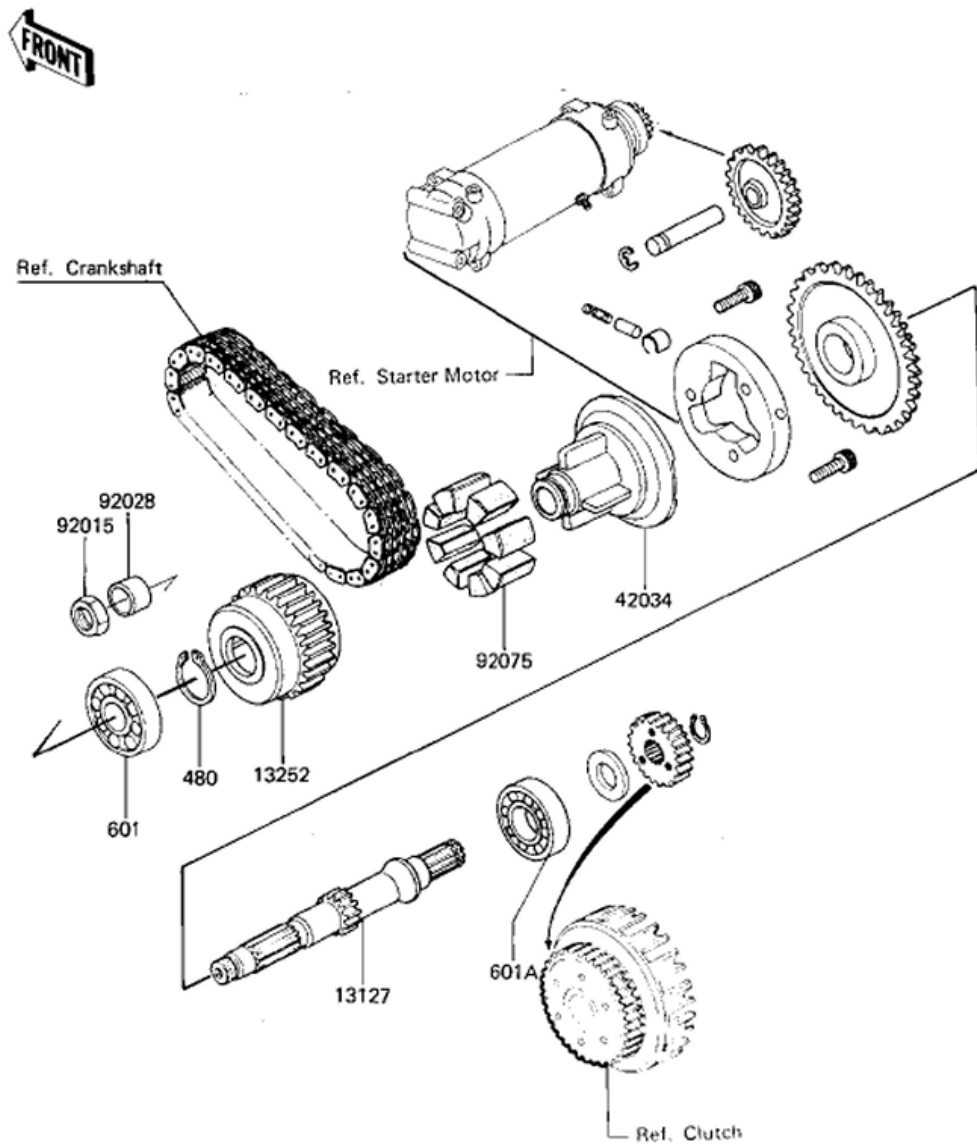
Seat H1 –H3



Item	Part Number	Part Name	Quantity	H1	H2-H3	Remarks
27012	53008-021	HOOK, SEAT	1	1	1	
32099	32099-011	CASE	1	1	1	
35011	53054-006	STOPPER,SEAT	1	1	1	
53001	53001-1149	SEAT-ASSY,DUAL	1	1	1	
53009	53009-017-10	HINGE,BLACK	1	1	1	
53009A	53009-1021	HING,RR	1	1	1	
92009	92009-1043	SCREW	2	2	2	
92043	53011-002	PIN	1	1	1	
92043A	53011-008	PIN,DUAL SEAT PIVOT	1	1	1	
92071	92071-056	GROMMET	1	1	1	
92075	92075-156	DAMPER RUBBER-SEAT	5	5	5	
110	112B0614	BOLT-UPSET 6X14	6	6	6	
410	410B0600	WASHER PLAIN 6MM	1	1	1	
411	411B0600	WASHER PLAIN 6MM	6	6	6	
461	461F0600	WASHER SPRING 6MM	6	6	6	
554	554A0600	PIN,SNAP	4	4	4	

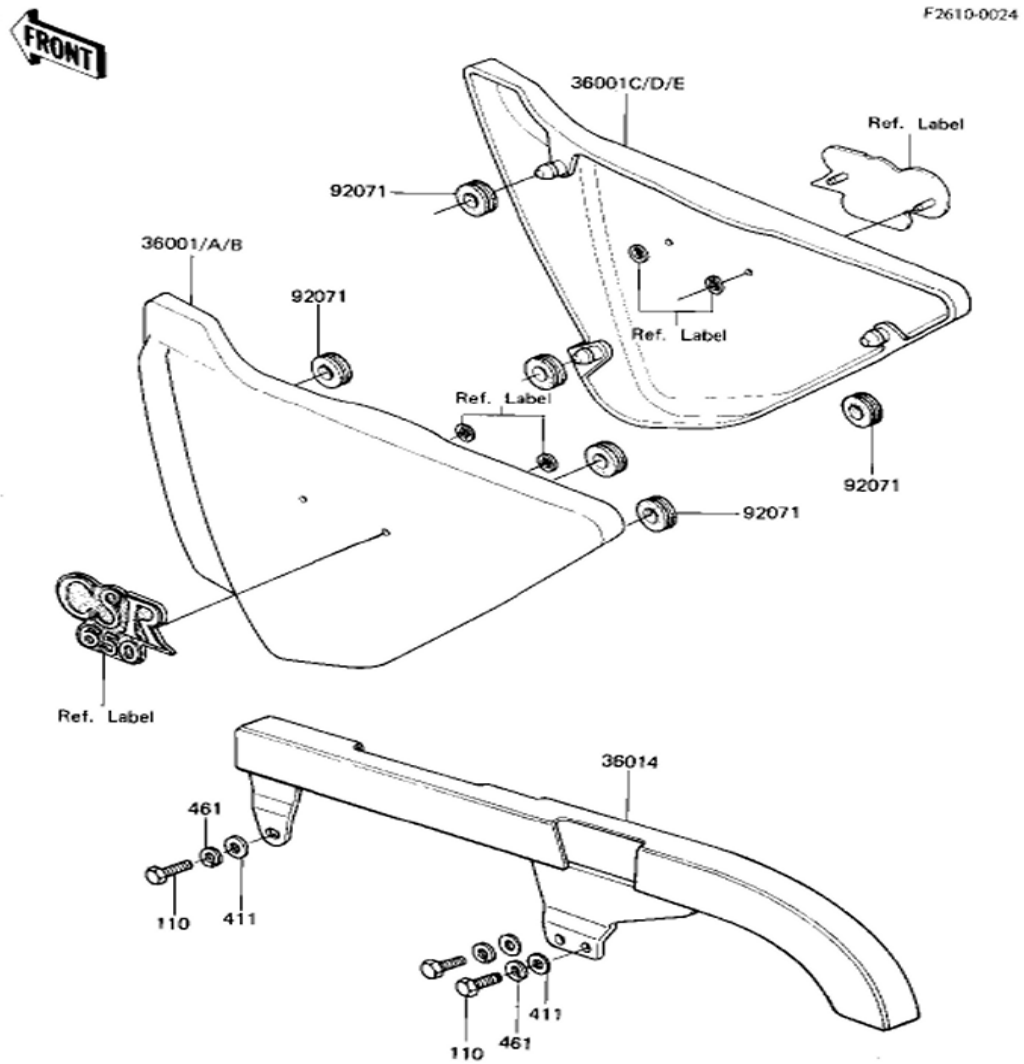
KZ650CSR

SECONDARY SHAFT H1 –H3



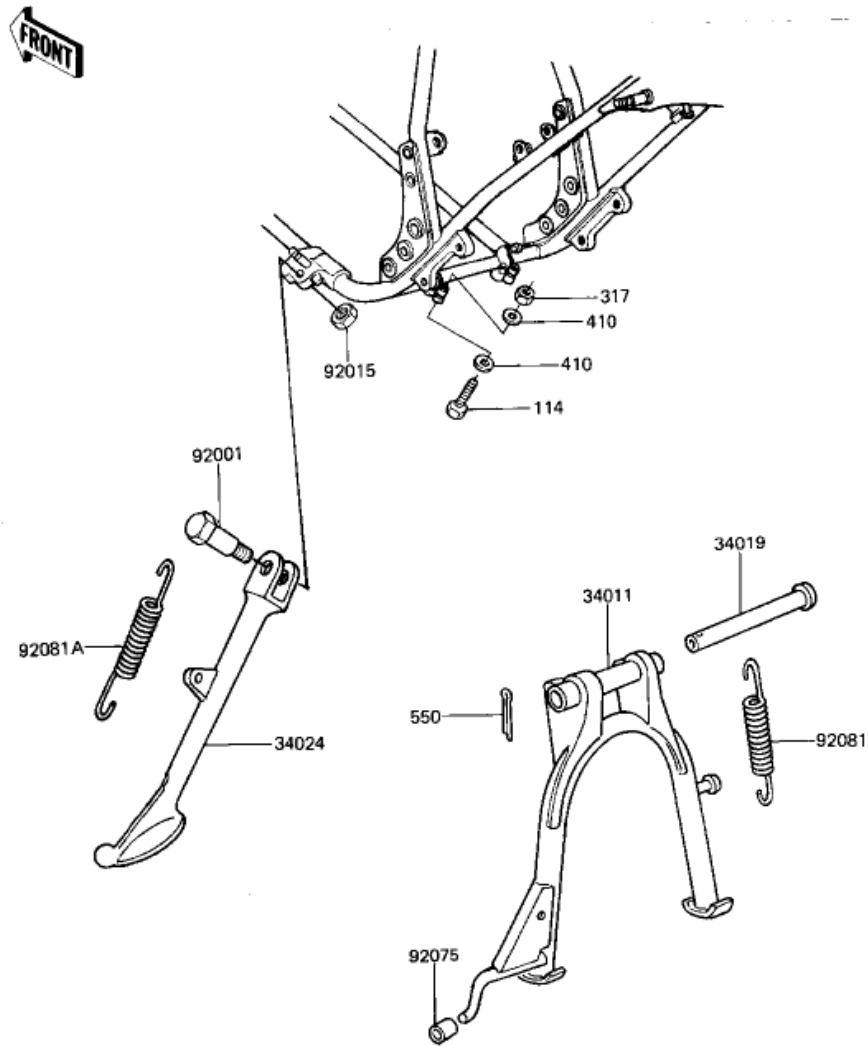
Item	Part Number	Part Name	Quantity	H1	H2-H3	Remarks
13127	13127-1019	SHAFT,SECONDARY	1	1	1	
13252	13252-001	COUPLING,OUTER	1	1	1	
42034	13253-001	COUPLING,INNER	1	1	1	
92015	92015-019	NUT 18MM	1	1	1	
92028	92028-1037	BUSHING,SECONDARY	1	1	1	
92075	13098-029	DAMPER RUBBER	8	8	8	
480	480J2800	CIRCLIP 28MM	1	1	1	
601	601B6205	BEARING BALL #6205	1	1	1	
601A	601B6305	BEARING BALL #6305	1	1	1	

SIDE COVERS/CHAIN COVER H1 –H3



Item	Part Number	Part Name	Quantity	H1	H2-H3	Remarks
36001	36001-1095-E2	COVER-SIDE,LH,L.M.RED	1		1	
36001A	36001-1095-8G	COVER,SIDE,LH,EBONY	1	1	1	US
36001B	36001-1095-8K	COVER-SIDE,LH,S.BLUE	1	1		
36001C	36001-1096-E2	COVER-SIDE,RH,L.M.RED	1		1	
36001D	36001-1096-8G	COVER,SIDE,RH,EBONY	1	1	1	US
36001E	36001-1096-8K	COVER-SIDE,RH,S.BLUE	1	1		
36014	36014-1039	CASE,CHAIN	1	1	1	
92071	92071-056	GROMMET	6	6	6	
110	112G0616	BOLT-UPSET,6X16	3	3	3	
411	411B0600	WASHER PLAIN 6MM	3	3	3	
461	461F0600	WASHER SPRING 6MM	3	3	3	

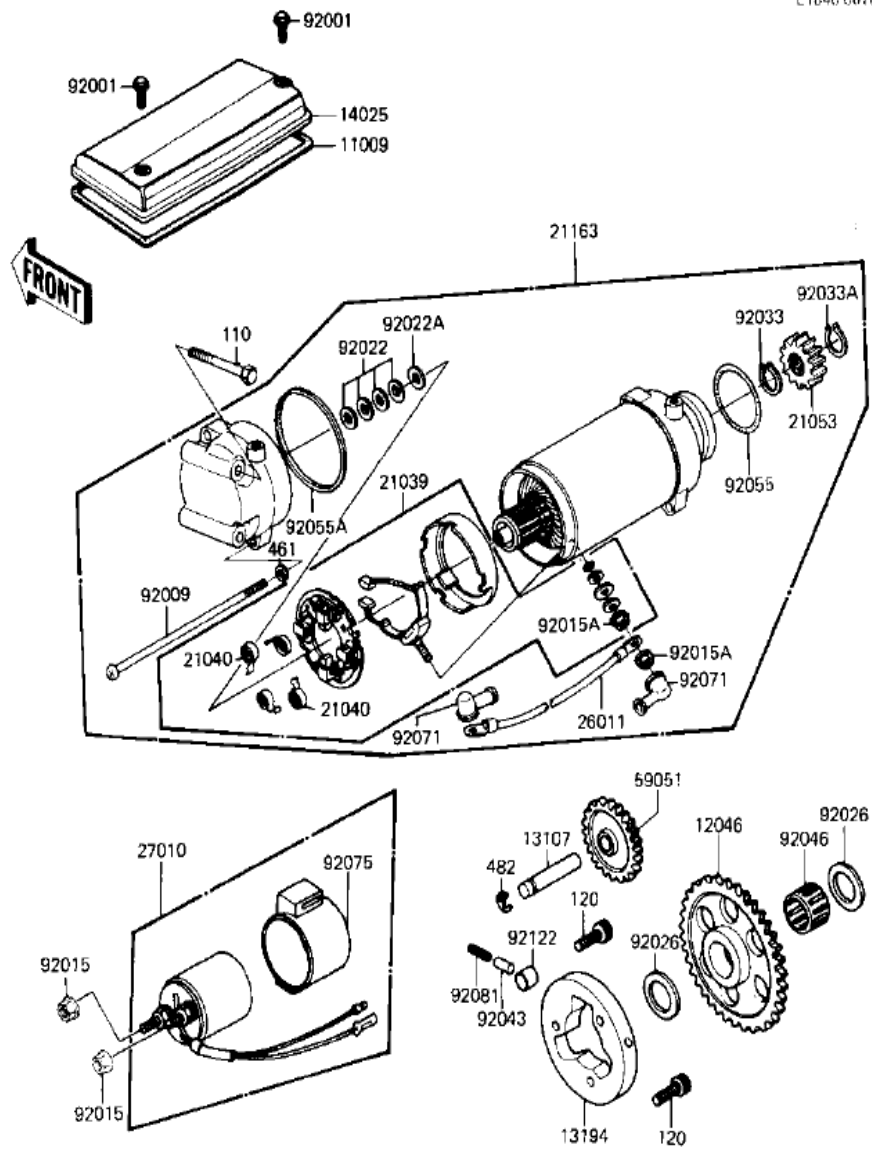
Stands H1 –H3



Item	Part Number	Part Name	Quantity	H1	H2-H3	Remarks
34011	34011-1003	STAND-MAIN	1	1	1	
34019	34019-015	SHAFT,MAIN STAND	1	1	1	
34024	34024-1103	STAND-SIDE	1	1	1	
92001	92003-079	BOLT-SIDE STAND	1	1	1	
92015	92019-021	NUT,LOCK,10MM	1	1	1	
92075	92075-1142	DAMPER RUBBER,MAIN	1	1	1	
92081	34023-016	SPRING,MAIN STAND	1	1	1	
92081A	34025-005	SPRING,SIDE STAND	1	1	1	
114	115G0840	BOLT,8X40	2	2	2	
317	317B0800	NUT,8M/M	2	2	2	
410	410B0800	WASHER PLAIN 8MM	4	4	4	
550	550D3030	PIN COTTER 3.0X30	1	1	1	

STARTER MOTOR/STARTER CLUTCH H2 – H3

E1840 0016

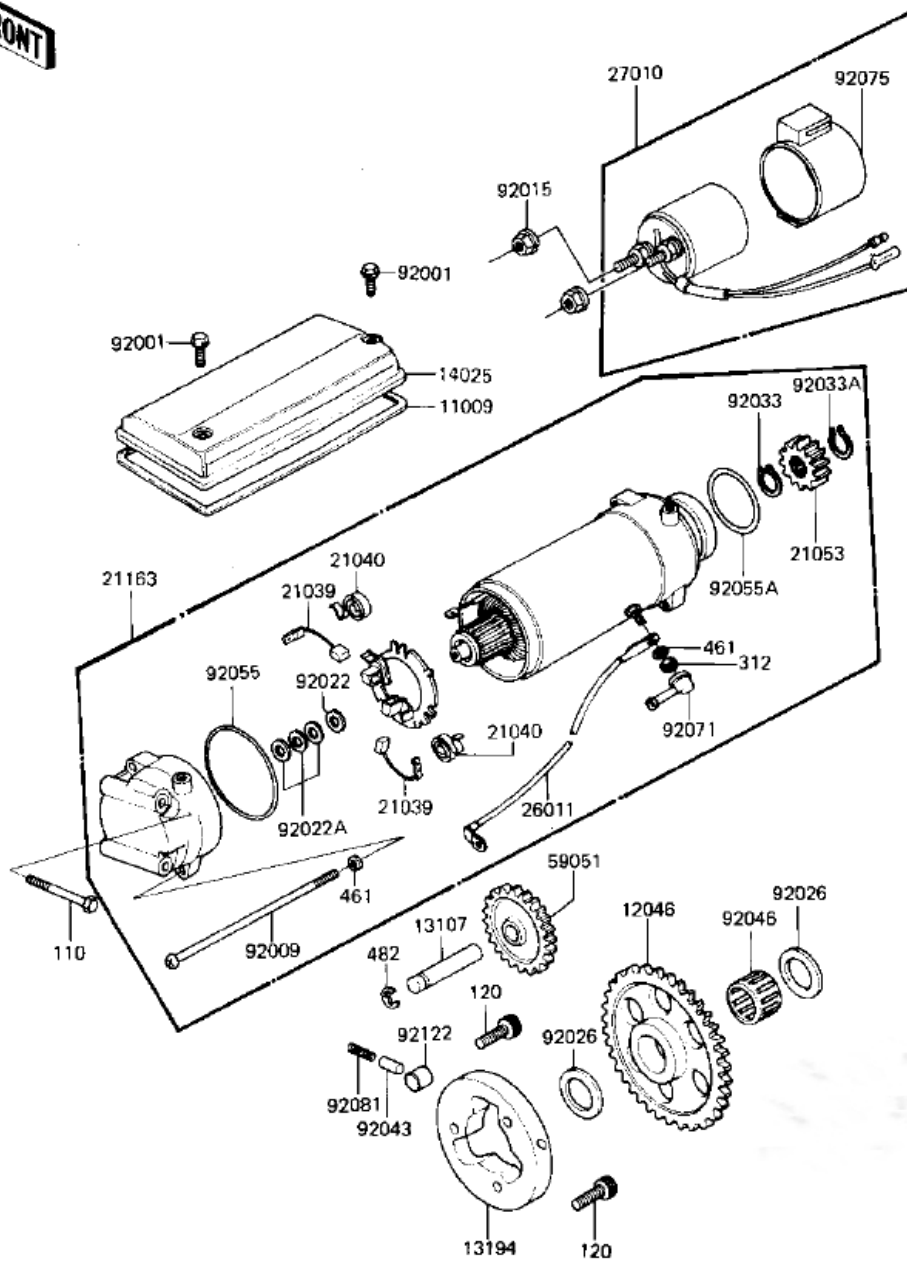


Item	Part Number	Part Name	Quantity	H2 –H3	Remarks
11009	21166-003	GASKET,STARTER COVER	1	1	
12046	12046-1032	SPROCKET,STARTER,58T	1	1	
13107	21143-003	SHAFT,IDLE GEAR	1	1	
13194	13193-1012	CLUTCH-ASSY-ONEWAY	1	1	
14025	21165-003	COVER,STARTER	1	1	
21039	21039-1053	BRUSH,CARBON	1	1	
21040	21040-1003	SPRING-BRUSH	4	4	
21053	21053-004	PINION,STARTER	1	1	
21163	21163-1190	STARTER-ELECTRIC	1	1	
26011	26011-1135	WIRE-LEAD,START MOTOR	1	1	
27010	21164-005	SWITCH ASSY,MAGNETIC	1	1	
59051	21167-004	GEAR,IDLE,29T	1	1	
92001	92001-1151	BOLT,6X10	2	2	
92009	21099-006	SCREW,PAN HEAD,6X130	2	2	
92015	92015-1078	NUT-6MM	2	2	
92015A	92015-1078	NUT-6MM	2	2	
92022	21025-011	WASHER,THRUST,0.2T	4	4	
92022A	92022-1132	WASHER,THRUST,0.8T	1	1	
92026	92026-1025	SPACER,25X36X3.2	2	2	
92033	92033-034	CIRCLIP	1	1	
92033A	92033-037	CIRCLIP,13M/M	1	1	
92043	92043-087	PIN	3	3	
92046	92046-056	BRG,NEEDLE,K253017	1	1	
92055	21027-008	"O" RING,40M/M	1	1	
92055A	92055-1086	"O" RING,STARTER MOTR	1	1	
92071	21017-017	GROMMET,CORD	2	2	
92075	21064-002	DAMPER MAG SWITCH SHK	1	1	
92081	92081-110	SPRING	3	3	
92122	92122-004	ROLLER	3	3	
110	112G0660	BOLT-UPSET	2	2	
120	120P0812	BOLT,SOCKET,8X12	3	3	
461	461F0600	WASHER SPRING 6MM	2	2	
482	482K0200	CIRCLIP 12MM	1	1	

STARTER MOTOR/STARTER CLUTCH H1

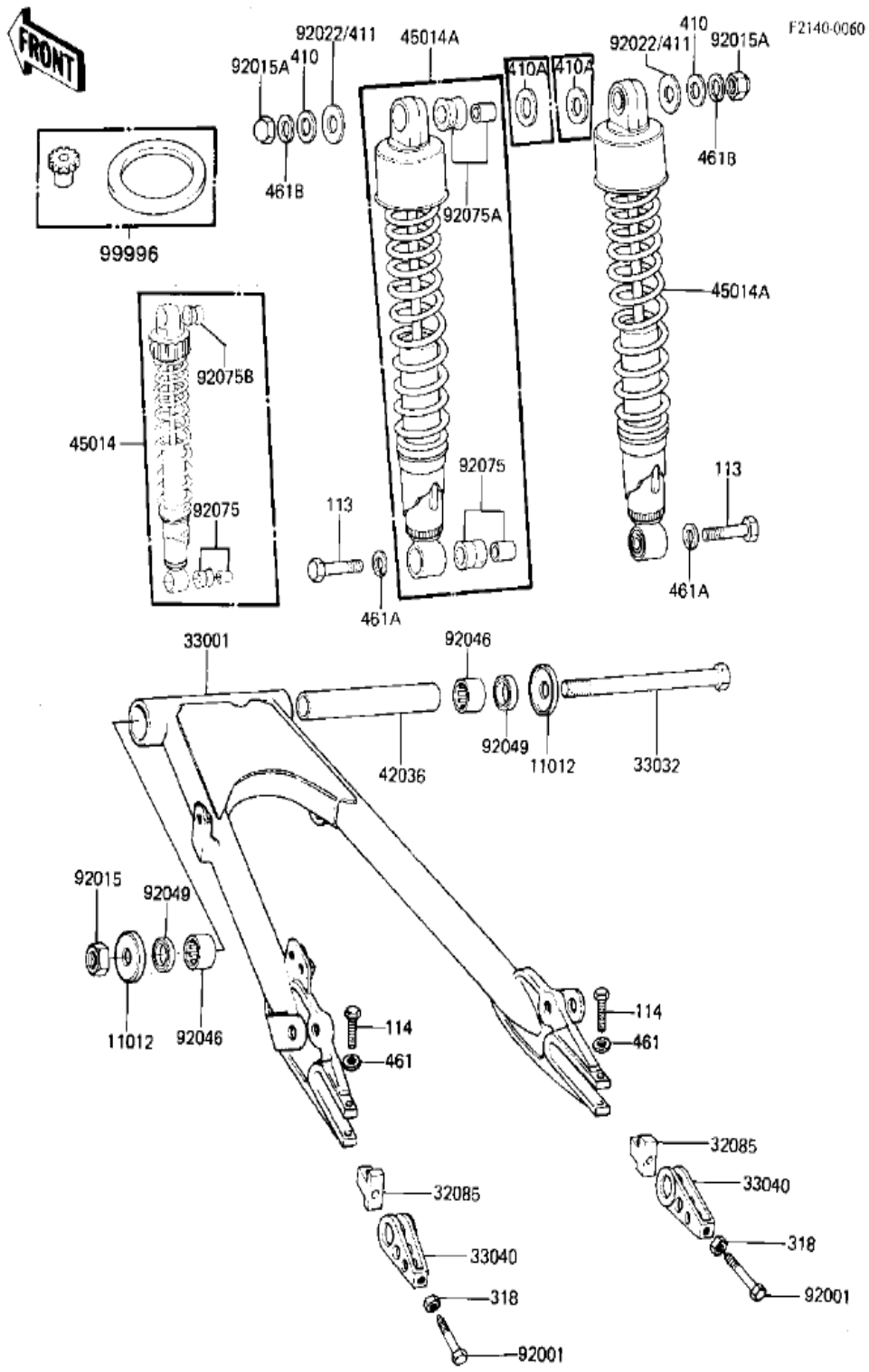


ET840-0009



Item	Part Number	Part Name	Quantity	H1	H2	Remarks
11009	21166-003	GASKET,STARTER COVER	1	1		
12046	12046-1032	SPROCKET,STARTER,58T	1	1		
13107	21143-003	SHAFT,IDLE GEAR	1	1		
13194	13193-1012	CLUTCH-ASSY-ONEWAY	1	1		
14025	21165-003	COVER,STARTER	1	1		
21039	21039-003	CARBON BRUSH	2	2		
21040	21040-003	SPRING,CARBON BRUSH	2	2		
21053	21053-004	PINION,STARTER	2	2		
21163	21163-1022	STARTER-ELECTRIC	1	1		
26011	26011-1099	WIRE-LEAD,STARTER	1	1		
27010	21164-005	SWITCH ASSY,MAGNETIC	1	1		
59051	21167-004	GEAR,IDLE,29T	1	1		
92001	92001-1151	BOLT,6X10	2	2		
92009	21099-006	SCREW,PAN HEAD,6X130	2	2		
92015	92017-014	NUT,LOCK 6MM	2	2		
92022	21025-010	WASHER,THRUST,1.6T	1	1		
92022A	21025-011	WASHER,THRUST,0.2T	4	4		
92026	92026-1025	SPACER,25X36X3.2	2	2		
92033	92033-034	CIRCLIP	1	1		
92033A	92033-037	CIRCLIP,13M/M	1	1		
92043	92043-087	PIN	3	3		
92046	92046-056	BRG,NEEDLE,K253017	1	1		
92055	21027-006	"0" RING,62MM	1	1		
92055A	21027-008	"0" RING,40M/M	1	1		
17029	21017-020	CAP,STARTING MOTOR	1	1		
92075	21064-002	DAMPER MAG SWITCH SHK	1	1		
92081	92081-110	SPRING	3	3		
92122	92122-004	ROLLER	3	3		
110	112G0660	BOLT-UPSET	2	2		
120	120P0812	BOLT,SOCKET,8X12	3	3		
312	312B0600	NUT 6MM	2	2		
461	461F0600	WASHER SPRING 6MM	4	4		
482	482K0200	CIRCLIP 12MM	1	1		

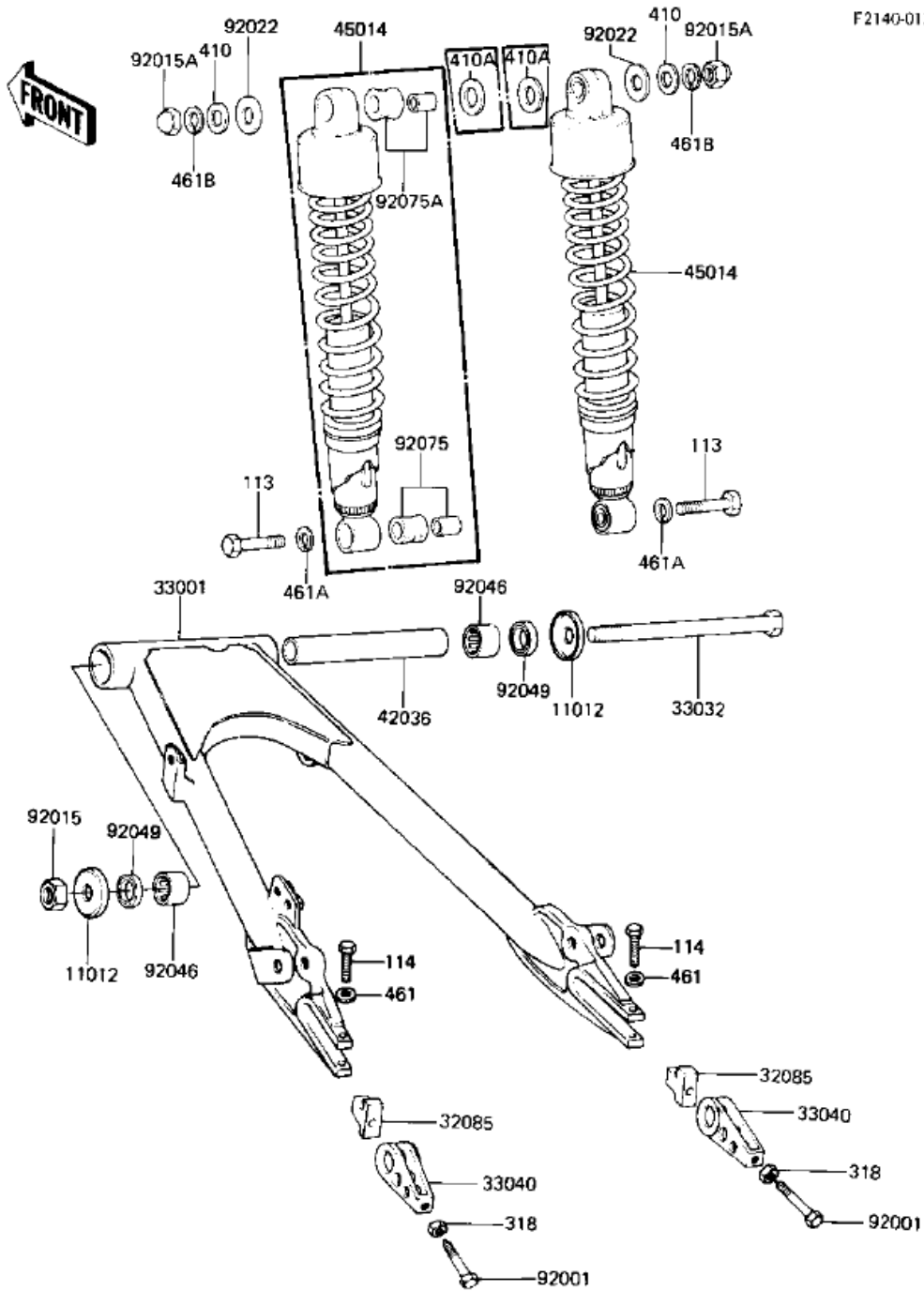
SWING ARM/SHOCK ABSORBERS H1 -H2



Item	Part Number	Part Name	Quantity	H1	H2	Remarks
11012	33035-009	CAP,SWING ARM	2	2	2	
32085	33044-002	STOPPER,CHAIN ADJUST	2	2	2	
33001	33001-1094	ARM-COMP-SWING	1	1	1	
33032	33032-050	SHAFT,SWING ARM	1	1	1	
33040	33040-056	ADJUSTER,CHAIN	2	2	2	
42036	42036-1012	SLEEVE,SWING ARM	1	1	1	
45014	45014-1112	SHOCK ABSBR RR	2	2		
45014A	45014-1154	SHOCK ABSBR RR	2		2	
92001	92001-1399	BOLT,8X50	2	2	2	
92015	92019-012	NUT-SELF LOCKING	1	1	1	
92015A	92020-014	NUT 12MM	2	2	2	
92022	92022-1239	WASHER,12.4X28X2.3	2		2	
92046	92046-1115	BEARING-NEEDLE,HK2216	4	4		
92046	92046-1115	BEARING-NEEDLE,HK2216	2		2	
92049	92049-1059	OIL SEAL,MHA22284	2		2	
92075	45017-019	BUSHING,SHOCK ABSORBE	2	2	2	
92075A	92075-1141	BUSHING,SHOCK ABSORBE	2		2	
92075B	92075-1262	BUSHING,SHOCK ABSORBR	2	2		
99996	99996-1025	SHOCK ABSORBER KIT	2	2	2	
113	113N1035	BOLT HEX HEAD 10X35	2	2	2	
114	115G0835	BOLT,SMALL UPSET	2	2	2	
318	318B0800	NUT 8MM	2	2	2	
410	410B1200	WASHER PLAIN 12MM	2	2	2	
410A	410B1400	WASHER PLAIN 14MM	2		2	
411	411B1200	WASHER PLAIN 12MM	2	2		
461	461F0800	WASHER SPRING 8MM	2	2	2	
461A	461F1000	WASHER SPRING 10MM	2	2	2	
461B	461F1200	WASHER SPRING 12MM	2	2	2	

SWING ARM/SHOCK ABSORBERS H3

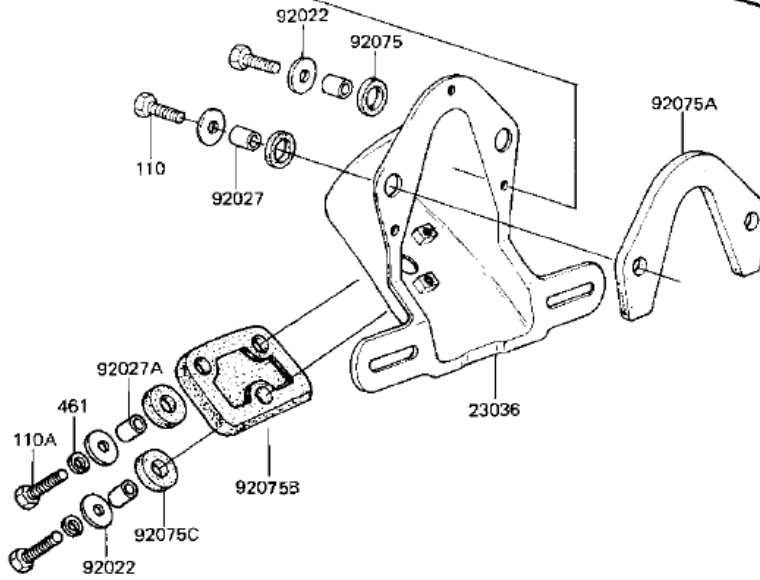
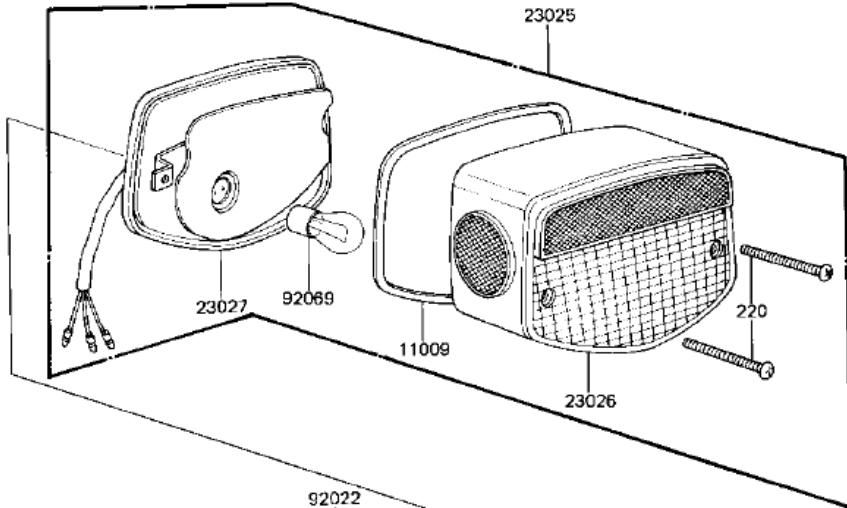
F2140-0134



Item	Part Number	Part Name	Quantity	H3	Remarks
11012	33035-009	CAP,SWING ARM	2	2	
32085	33044-002	STOPPER,CHAIN ADJUST	2	2	
33001	33001-1094	ARM-COMP-SWING	1	1	
33032	33032-050	SHAFT,SWING ARM	1	1	
33040	33040-056	ADJUSTER,CHAIN	2	2	
42036	42036-1012	SLEEVE,SWING ARM	1	1	
45014	45014-1196	SHOCKABSORBER,RR	2	2	
92001	92001-1399	BOLT,8X50	2	2	
92015	92019-012	NUT-SELF LOCKING	1	1	
92015A	92020-014	NUT 12MM	2	2	
92022	92022-1239	WASHER,12.4X28X2.3	2	2	
92046	92046-1115	BEARING-NEEDLE,HK2216	2	2	
92049	92049-1059	OIL SEAL,MHA22284	2	2	
92075	45017-019	BUSHING,SHOCK ABSORBE	2	2	
92075A	92075-1141	BUSHING,SHOCK ABSORBE	2	2	
113	113N1035	BOLT HEX HEAD 10X35	2	2	
114	115G0835	BOLT,SMALL UPSET	2	2	
318	318B0800	NUT 8MM	2	2	
410	410B1200	WASHER PLAIN 12MM	2	2	
410A	410B1400	WASHER PLAIN 14MM	2	2	
461	461F0800	WASHER SPRING 8MM	2	2	
461A	461F1000	WASHER SPRING 10MM	2	2	
461B	461F1200	WASHER SPRING 12MM	2	2	

TAILLIGHT KZ650-H1

F2720-0003



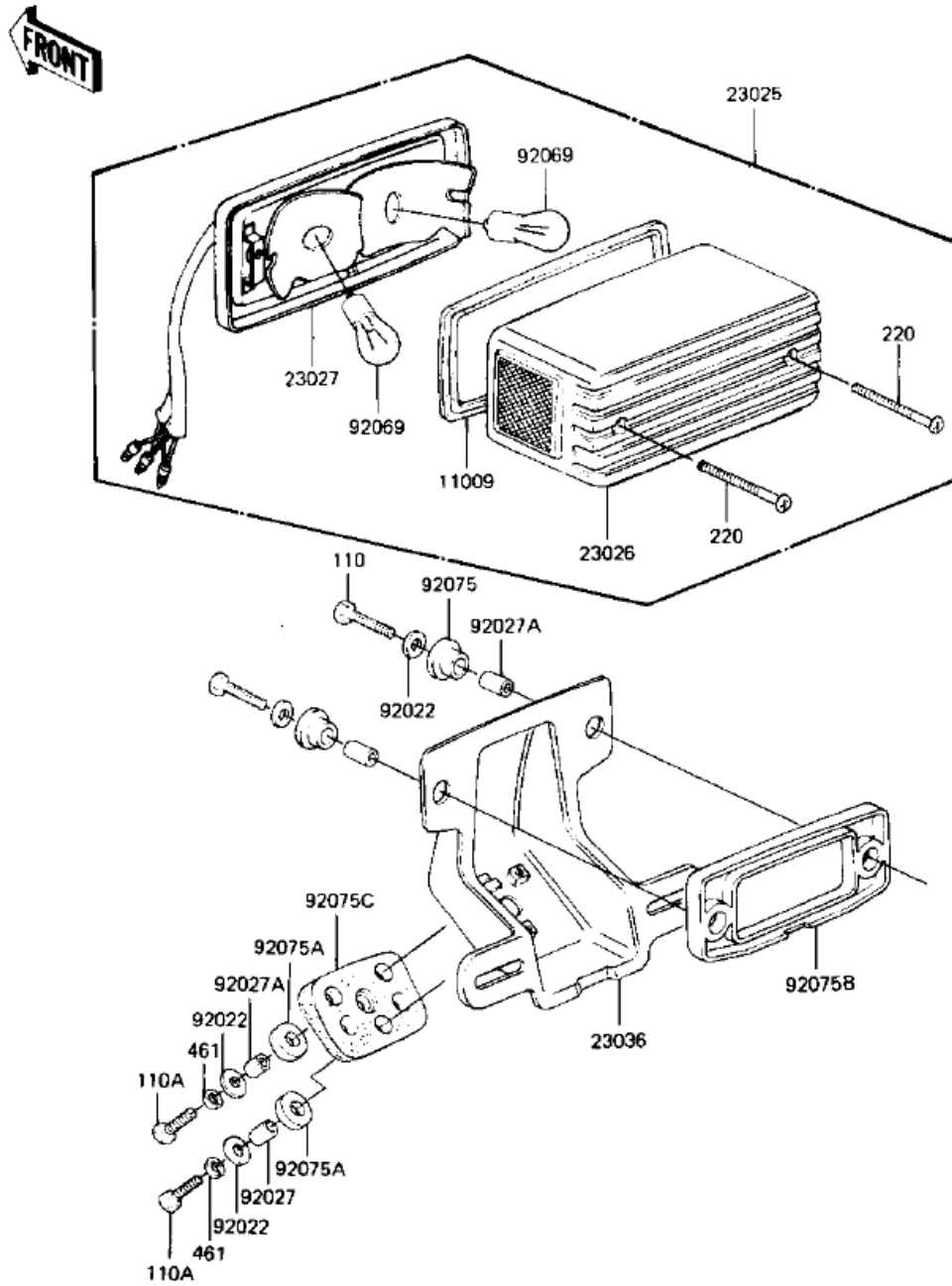
KZ

Item	Part Number	Part Name	Quantity	H1	H2	Remarks
11009	23028-021	GASKET,TAIL LENS	1	1		
23025	23025-064	TAIL LAMP UNIT	1	1		
23026	23026-034	LENS,TAIL LAMP	1	1		
23027	23027-041	CASE,TAIL LIGHT	1	1		
23036	23036-1028	BRACKET,LICENSE PLATE	1	1		
92022	92022-125	WASHER 6.5X20X1.6T	5	5		
92027	92027-129	COLLAR,6.8X10X8.5	2	2		
92027A	92027-156	COLLAR 6.8X10X14.5	3	3		
92069	92069-059	BULB,12V 32/3CP	1	1		
92075	23066-020	DAMPER RUBBER	2	2		
92075A	23066-023	DAMPER RUBBER	1	1		
92075B	35039-004	DAMPER RUBBER,RR FEND	1	1		
92075C	92075-121	DAMPER RUBBER,RR FEND	3	3		
110	112G0618	BOLT-UPSET	2	2		
110A	112G0625	BOLT-UPSET	3	3		
220	220R0460	SCREW-PAN-CROS	2	2		
461	461F0600	WASHER SPRING 6MM	3	3		

KZ650CSR

TAILLIGHT KZ650-H2 - H3

F2720-0057



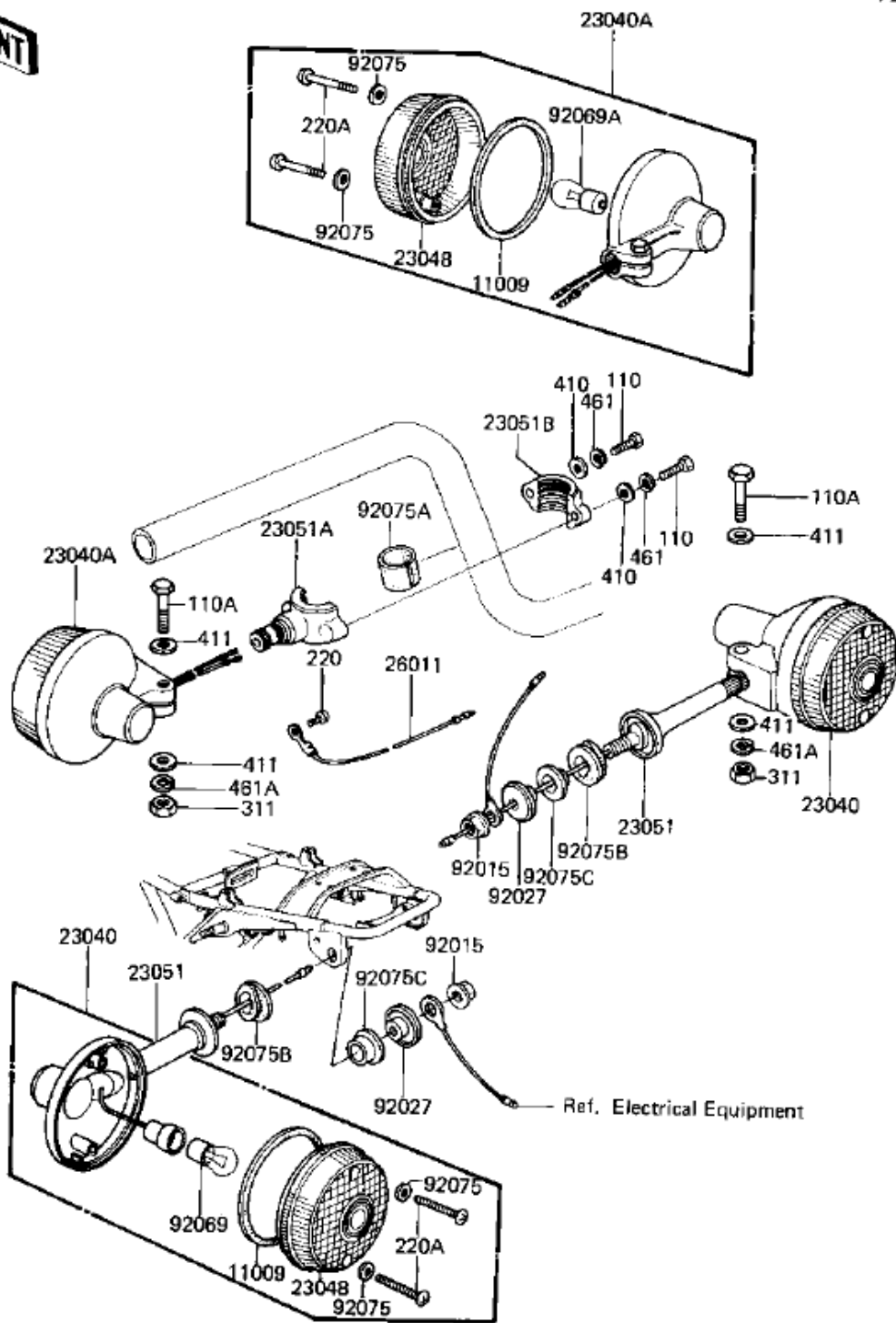
Item	Part Number	Part Name	Quantity	H2-H3	Remarks
11009	11009-1221	GASKET,TAIL LAMP	1	1	
23025	23025-1037	LAMP TAIL "220-40896"	1	1	
23026	23026-1024	LENS,TAIL LAMP	1	1	
23027	23027-1024	BODY-COMP TAIL LAMP	1	1	
23036	23036-1033	BRACKET-TAIL LAMP	1	1	
92022	92022-125	WASHER 6.5X20X1.6T	5	5	
92027	92027-156	COLLAR 6.8X10X14.5	1	1	
92027A	92027-169	COLLAR	4	4	
92069	92069-059	BULB,12V 32/3CP	2	2	
92075	92075-1092	DAMPER RUBBER	2	2	
92075A	92075-121	DAMPER RUBBER,RR FEND	3	3	
92075B	92075-1282	DAMPER	1	1	
92075C	92075-1283	DAMPER	1	1	
110	112B0622	BOLT 6X22	2	2	
110A	112G0625	BOLT-UPSET	3	3	
220	220B0465	SCREW-PAN-CROS	2	2	
461	461F0600	WASHER SPRING 6MM	3	3	

KZ650CSR

Item	Part Number	Part Name	Quantity	H1	H2-H3	Remarks
13127	13127-1018	SHAFT,DRIVE	1	1	1	
13128	13128-1012	SHAFT,OUTPUT	1	1	1	
13129	13129-1032	3RD GEAR,DRIVE SHAFT	1	1	1	
13129A	13129-1033	TOP GEAR,OUTPUT SHAFT	1	1		
13129B	13129-1044	4TH GEAR,DRIVE SHAFT	1	1	1	
13129C	13129-1045	TOP GEAR,DRIVE SHAFT	1	1		
13129D	13129-1046	LOW GEAR,OUTPUT SHAFT	1	1	1	
13129E	13129-1047	2ND GEAR,OUTPUT SHAFT	1	1	1	
13129F	13129-1048	3RD GEAR,OUTPUT SHAFT	1	1	1	
13129G	13129-1049	4TH GEAR,OUTPUT SHAFT	1	1	1	
13129H	13129-1200	TOP GEAR,DRIVE SHAFT	1		1	
13129I	13129-1201	TOP GEAR,DRIVEN SHAFT	1		1	
13129J	13130-041	2ND GEAR,DRIVE	1	1	1	
13144	13144-1033	ENGINE SPROCKET,13T	1	1	1	
92015	92015-1254	NUT,20MM	1	1	1	
92022	92022-1026	WASHER,PLAIN	AR	AR	AR	
92022A	92200-1065	WASHER	1	1	1	
92022B	92022-112	WASHER THRUST	AR	AR	AR	
92022C	92022-113	WASHER THRUST	2	2	2	
92022D	92022-144	SHIM-KICK SHAFT	AR	AR	AR	
92022E	92022-161	WASHER PLAIN	2	2	2	
92022F	92024-069	WASHER,LOCK	3	3	3	
92027	92027-288	COLLAR,ENG SPROCKET	1	1	1	
92028	92028-1007	BUSHING,DRV SHFT TOP	1	1	1	
92028A	92028-1032	BUSHING,DRIVE SHAFT	1	1	1	
92028B	92028-180	BUSHING,OUTPUT SHAFT	1	1	1	
92033	92033-015	CIRCLIP	2	2	2	
92033A	92033-026	CIRCLIP	2	2	2	
92045	92045-035	BEARING,BALL	2	2	2	
92046	92046-1030	BEARING,VS20/14A	2	2	2	
92055	92055-035	"O" RING	1	1	1	
480	480J3000	CIRCLIP,30MM	3	3	3	
600	600A0500	BALL STEEL 5/32'	3	3	3	
670	670B1508	"O" RING,8MM	1	1	1	

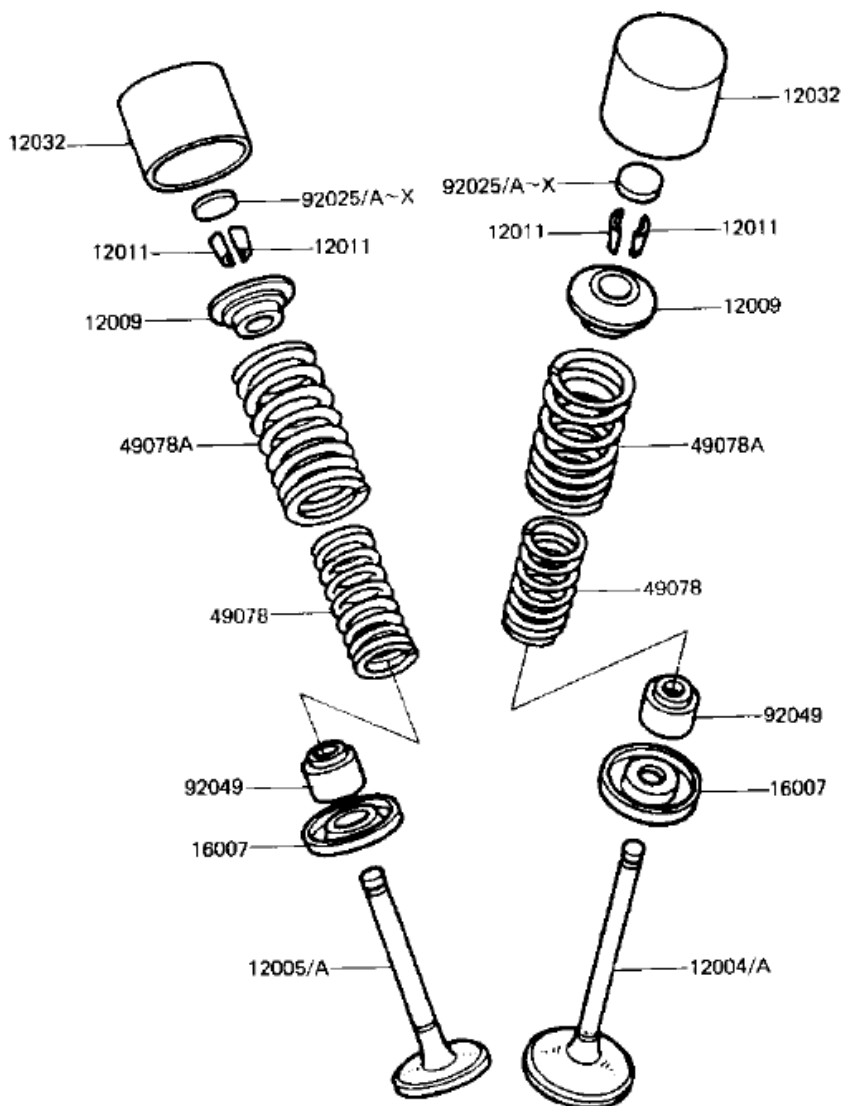
TURN SIGNALS H1 – H3

F2730-0003



Item	Part Number	Part Name	Quantity	H1	H2- H3	Remarks
11009	23050-003	GASKET-SIG LAMP LENS	4	4	4	
23040	23040-054	LAMP,TURN SIGNAL	2	2	2	
23040A	23040-1004	LAMP,FRNT,TURN SIGNAL	2	2	2	
23048	23048-1001	LENS,TURN SIGNAL LAMP	4	4	4	
23051	23051-053	BRACKET,TURN SIGNAL.L	2	2	2	
23051A	23051-1004	BRACKET,FRNT TURN SIG	2	2	2	
23051B	23051-1013	BRACKET,SIGNAL LAMP	2	2	2	
26011	26011-061	WIRE-TURN SIGNAL LEAD	2	2	2	
92015	92015-1428	NUT,FLANGED,10MM	2	2	2	
92027	92027-147	COLLAR	2	2	2	
92069	92069-055	BULB 12V 32CP	2	2	2	
92069A	92069-060	BULB,12V 23/8W	2	2	2	
92075	23058-002	WASHER-PLAIN,4MM	8	8	8	
92075A	23066-003	DAMPER RUBBER	2	2	2	
92075B	92075-128	DAMPER RUBBER	2	2	2	
92075C	92075-158	DAMPER RUBBER,SIG LM	2	2	2	
110	110N0516	BOLT	4	4	4	
110A	112G0630	BOLT-UPSET	4	4	4	
220	220B0305A	SCREW PAN HEAD 3X5	2	2	2	
220A	220E0420A	SCREW-PAN HEAD,4X20	8	8	8	
311	311B0600	NUT 6MM	4	4	4	
410	410D0500	WASHER-PLAIN,5MM	4	4	4	
411	411B0600	WASHER PLAIN 6MM	8	8	8	
461	461F0500	WASHER SPRING 5MM	4	4	4	
461A	461F0600	WASHER SPRING 6MM	4	4	4	

VALVES H1 – H3



Item	Part Number	Part Name	Quantity	H1	H2-H3	Remarks
12004	12004-1058	VALVE-INTAKE	4		4	
12004A	12004-1011	VALVE,INTAKE	4	4		
12005	12005-008	VALVE,EXHAUST	4	4		
12005A	12005-1006	VALVE,EXHAUST	4		4	
12009	12009-008	RETAINER,VALVE SPRING	8	8	8	
12011	12011-004	SPLIT KEEPER	16	16	16	
12032	12032-1001	TAPPET	8	8	8	
16007	16007-1024	SEAT-SPRING,VALVE	8	8	8	
49078	49078-1001	SPRING,VALVE,INNER	8	8	8	
49078A	49078-1002	SPRING,VALVE,OUTER	8	8	8	
92025	92025-1090	SHIM,2.007	AR	AR	AR	
92025A	92025-1091	SHIM,2.05T	AR	AR	AR	
92025B	92025-1092	SHIM,2.10T	AR	AR	AR	
92025C	92025-1093	SHIM,2.15T	AR	AR	AR	
92025D	92025-1094	SHIM,2.20T	AR	AR	AR	
92025E	92025-1095	SHIM,2.25T	AR	AR	AR	
92025F	92025-1096	SHIM,2.30T	AR	AR	AR	
92025G	92025-1097	SHIM,2.35T	AR	AR	AR	
92025H	92025-1098	SHIM,2.40T	AR	AR	AR	
92025I	92025-1099	SHIM,2.45T	AR	AR	AR	
92025J	92025-1100	SHIM,2.50T	AR	AR	AR	
92025K	92025-1101	SHIM T2.55	AR	AR	AR	
92025L	92025-1102	SHIM,2.60T	AR	AR	AR	
92025M	92025-1103	SHIM,2.65T	AR	AR	AR	
92025N	92025-1104	SHIM,2.70T	AR	AR	AR	
92025O	92025-1105	SHIM,2.75T	AR	AR	AR	
92025P	92025-1106	SHIM,2.80T	AR	AR	AR	
92025Q	92025-1107	SHIM,2.85T	AR	AR	AR	
92025R	92025-1108	SHIM,2.90T	AR	AR	AR	
92025S	92025-1109	SHIM,2.95	AR	AR	AR	
92025T	92025-1110	SHIM,3.00T	AR	AR	AR	
92025U	92025-1111	SHIM,3.05T	AR	AR	AR	
92025V	92025-1112	SHIM,3.10T	AR	AR	AR	
92025W	92025-1113	SHIM,3.15T	AR	AR	AR	
92025X	92025-1114	SHIM,3.20T	AR	AR	AR	
92049	92049-016	OIL SEAL,RV37129.5	8	8	8	

By: <http://JARLEF.NO>
Source Kawasaki.com