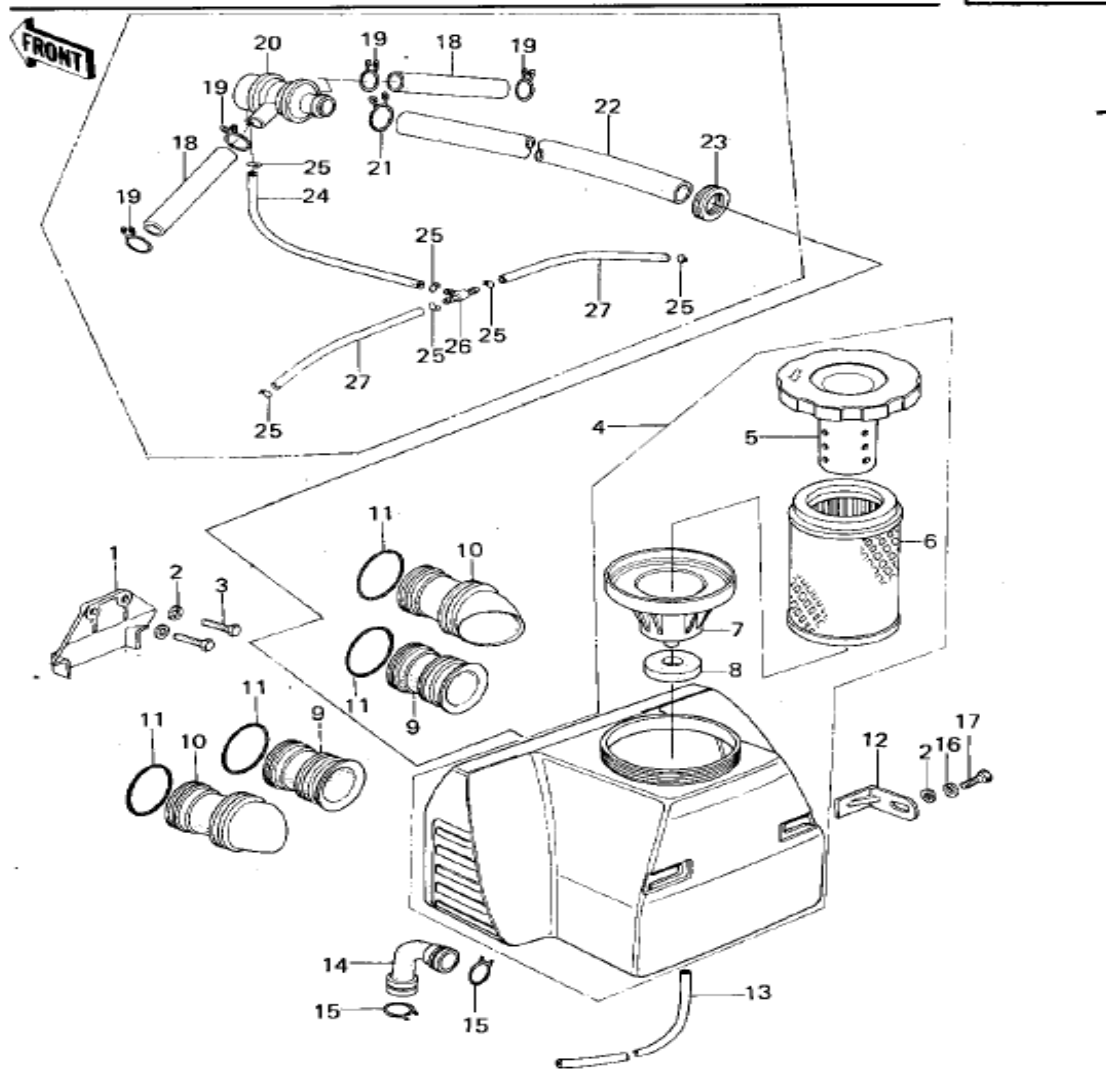


# Manual de Despiece

## Kawasaki KZ 650

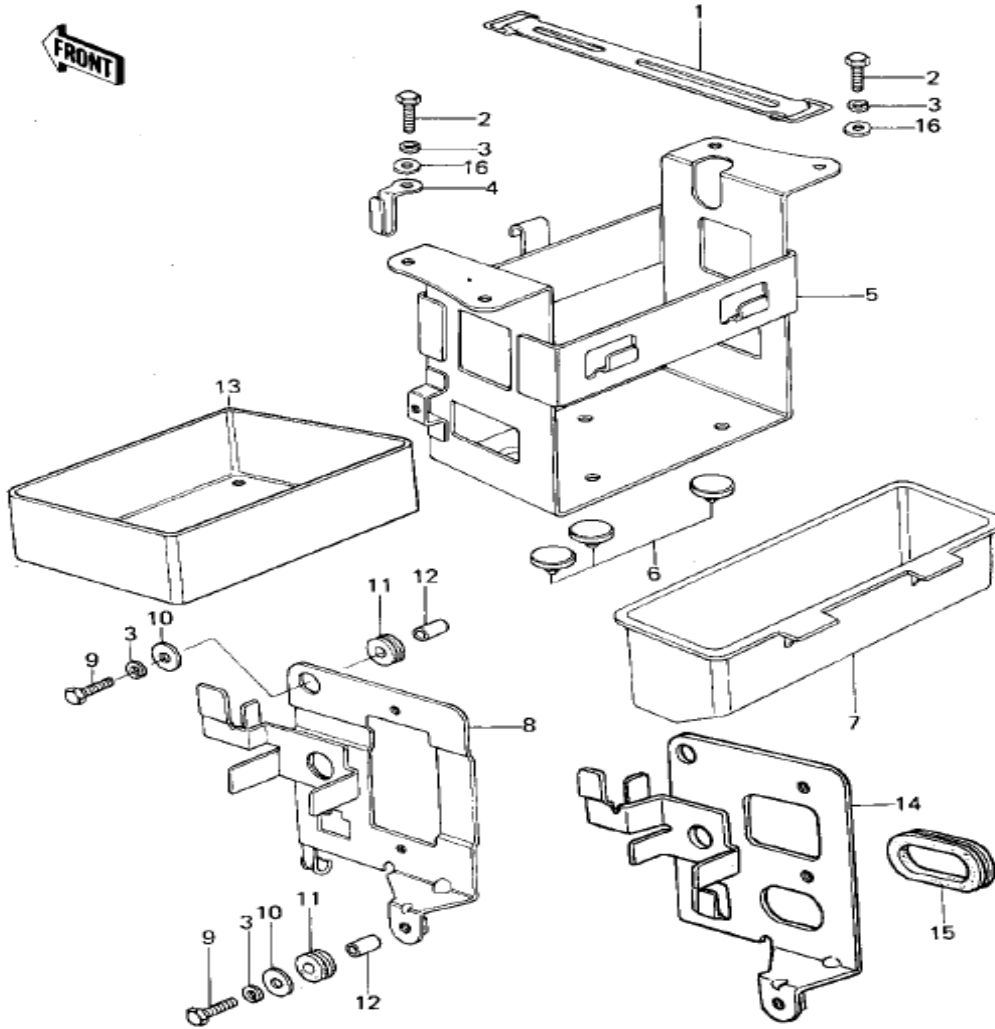
[lalevamotos@hotmail.com](mailto:lalevamotos@hotmail.com)

TE: 155-4129730

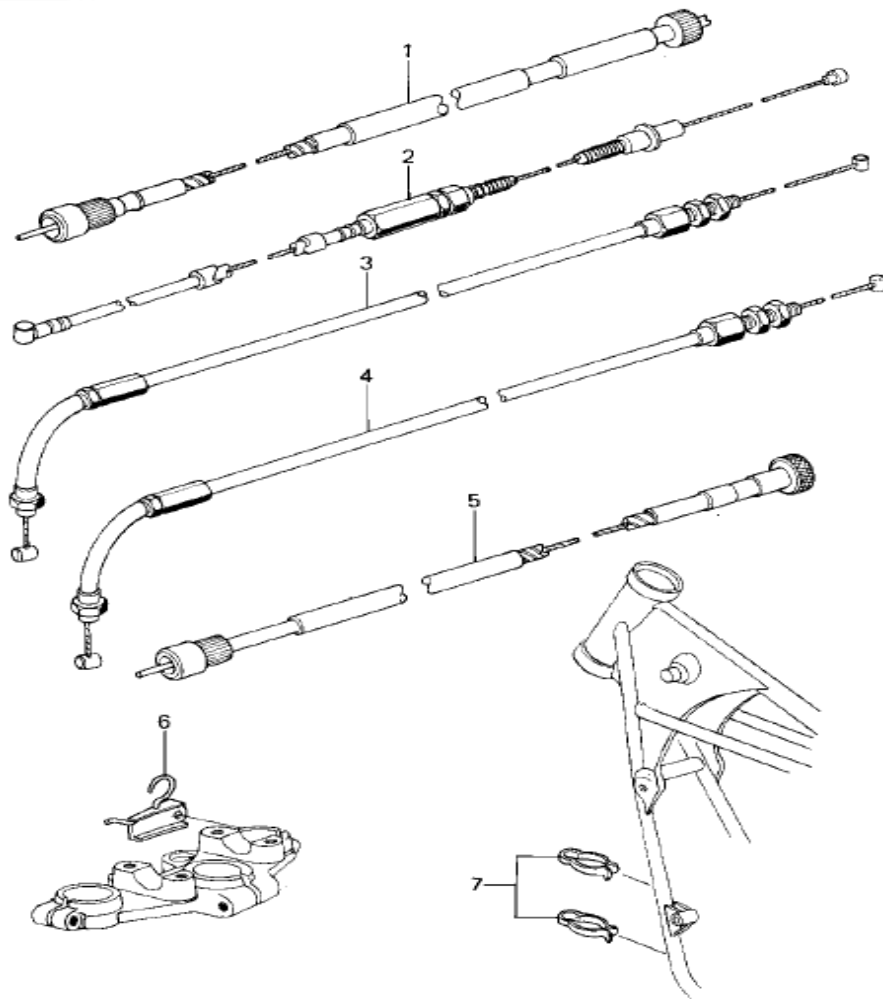


1 11019-003 BAFFLE PLT,AIR CLEANER 1  
2 411B0600 WASHER PLAIN 6MM 4  
3 112G0618 BOLT-UPSET 2  
4 11010-1002 AIR CLEANER ASSY 1 KZ650-B1/B2/B2A  
4 11010-1079 FILTER-ASSY 1  
4 11010-1079 FILTER-ASSY 1 KZ650-B3  
4 11010-1078 FILTER-ASSY-AIR 1 KZ650-B3  
5 11012-069 CAP,AIR CLEANER 1  
6 11013-1006 ELEMENT,AIR CLNR 1  
7 11033-006 HOLDER,INLET PIPE 1  
8 11039-003 GASKET,HOLDER 1  
9 11015-057 INLET DUCT,#2,3 2  
10 11015-063 INLET PIPE,#1.4 2  
11 92081-047 SPRING COIL 4  
12 32070-038 BRACKET,AIR CLEANER 2  
13 700Q06200 TUBE,VINYL,6X200 1  
14 92059-137 TUBE,BREATHING 1  
15 92037-028 CLAMP BREATHING PIPE 2  
16 461F0600 WASHER SPRING 6MM 2  
17 112G0612 BOLT-UPSET,6X12 2  
18 92059-1042 TUBE,14X20X100 2 KZ650-B3  
19 92037-213 CLAMP,BREATHING TUBE 4 KZ650-B3  
20 16126-1005 VALVE ASSY,AIR SWITCH 1 KZ650-B3  
21 92037-1076 CLAMP 1 KZ650-B3  
22 92059-1041 TUBE,19X25X415 1 KZ650-B3  
23 92071-1013 GROMMET,AIR CLEANER 1 KZ650-B3  
24 92059-1043 TUBE,4X9X290 1 KZ650-B3  
25 92037-072 CLAMP-PIPE 6 KZ650-B3  
26 92005-1017 FITTING,TUBE 1 KZ650-B3  
27 92059-1162 TUBE,VACUUM,LONG 2 KZ650-B3

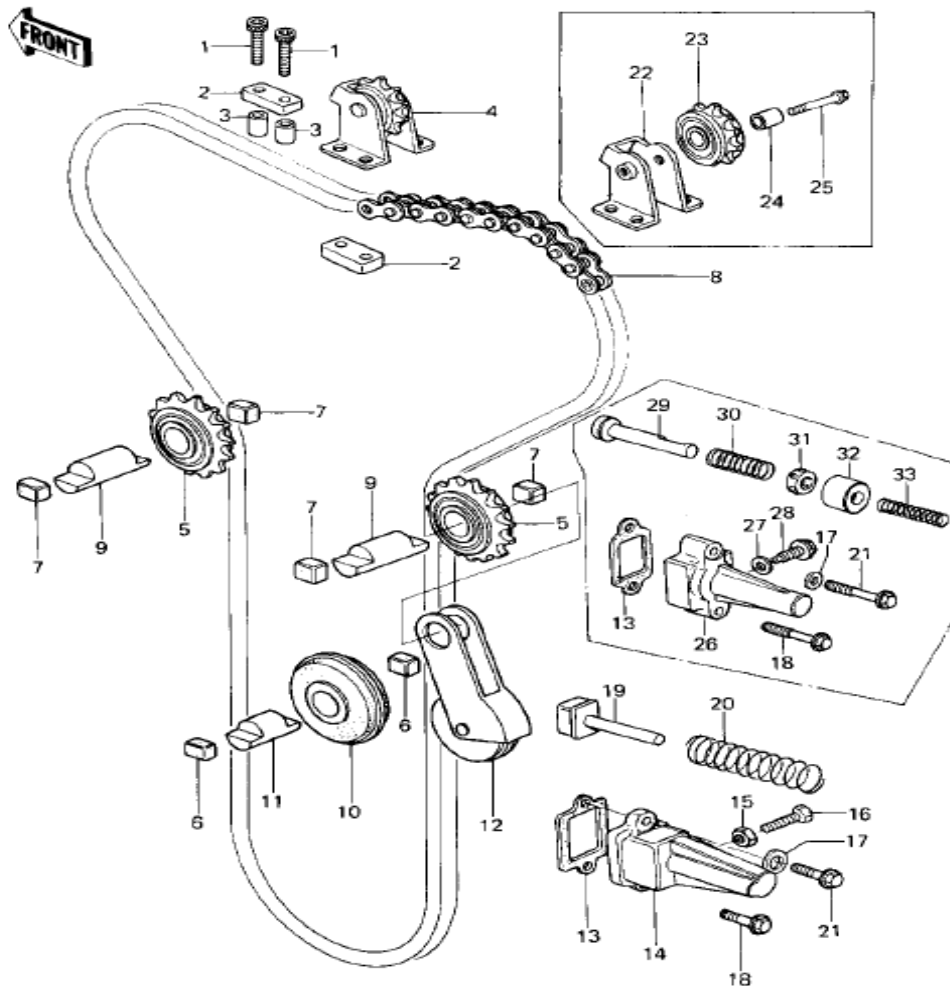
FRONT



1 92072-054 BAND,OIL TANK 1  
2 112G0612 BOLT-UPSET,6X12 4  
3 461F0600 WASHER SPRING 6MM 6  
4 32122-057 BRACKET,HELMET HOLDER 1  
5 32097-043 CASE,BATTERY 1  
5 32097-1005 CASE,BATTERY 1  
6 92075-078 DAMPER RUBBER 3  
7 32098-028 CASE,TOOL 1  
8 32129-016 BRACKET,ELECTRO BASE 1 KZ650-B1  
9 112G0625 BOLT-UPSET 2  
10 92022-228 WASHER,PLAIN,7MM 2  
11 92075-317 DAMPER 2  
12 92027-291 COLLAR-CLAMP 2  
13 32099-015 CASE,BATTERY 1  
14 11036-1089 BRACKET,ELECTRO BASE 1 KZ650-B2~  
15 92071-1007 GROMMET,ELECTO BASE 1 KZ650-B2~  
16 410B0600 WASHER PLAIN 6MM 4



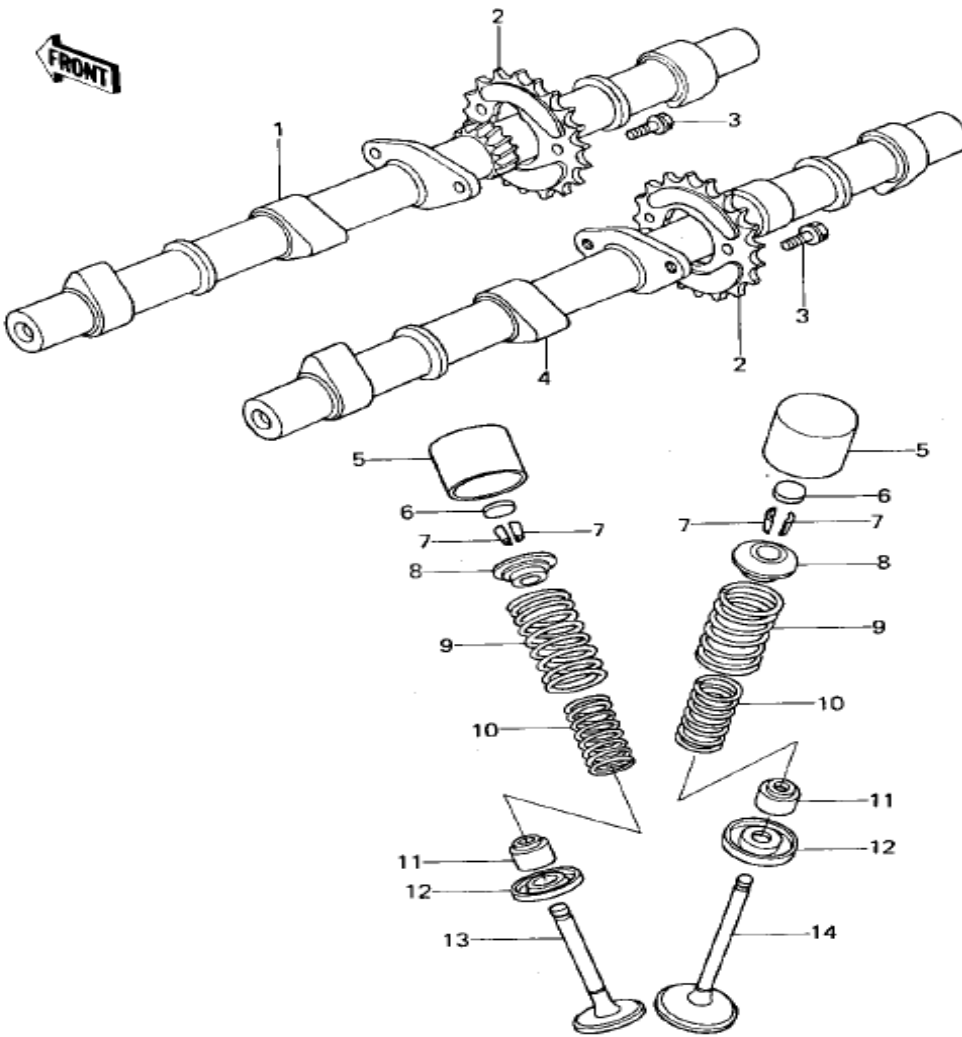
- 1 54001-052 CABLE,SPEEDOMETER 1 KZ650-B1  
 1 54001-1002 CABLE,SPEEDOMETER 1 KZ650-B2~  
 2 54011-087 CABLE,CLUTCH 1  
 3 54012-140 CABLE,THROTTLE CON,OP 1  
 4 54012-141 CABLE,THROTTLE CON CL 1  
 5 54018-1003 CABLE,TACHOMETER 1  
 6 92037-104 CLAMP,CABLE 1  
 7 92037-093 CLAMP,CABLE 2



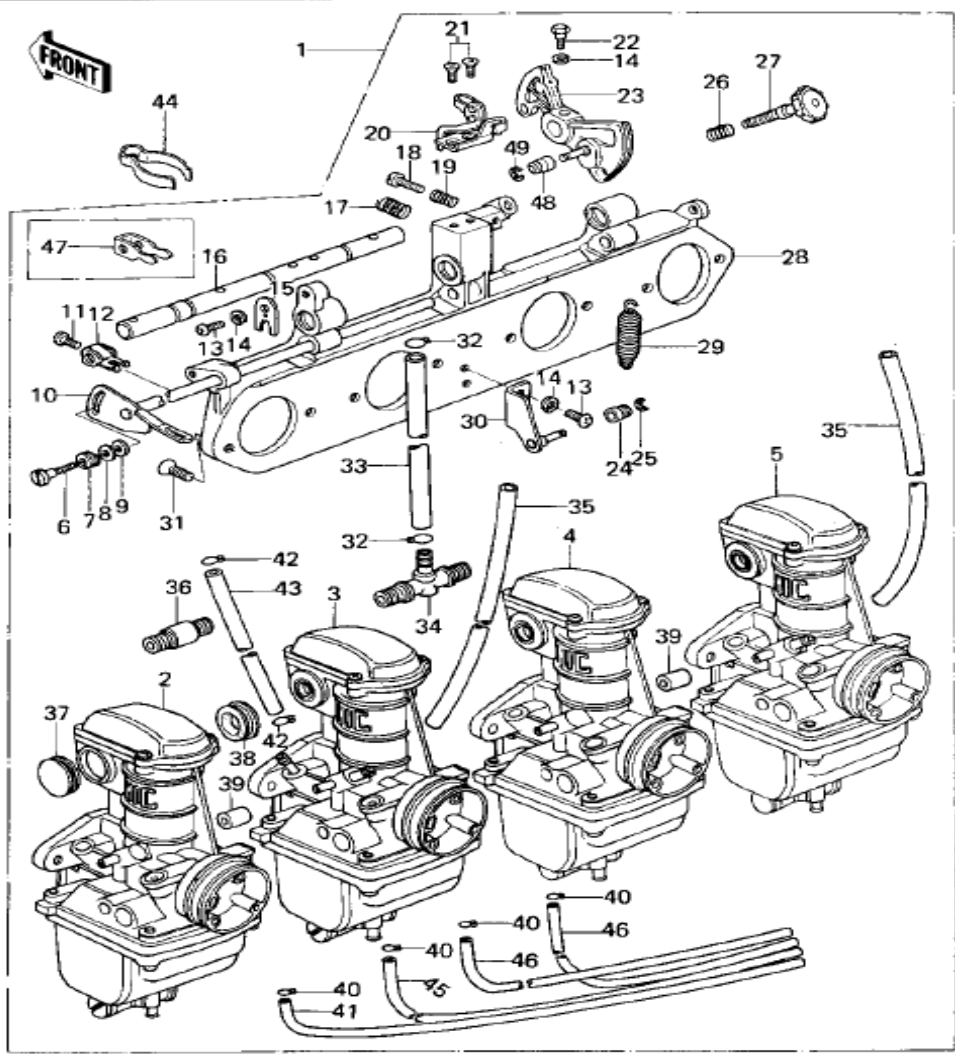
- 1 120Q0632 BOLT,ALLEN,6X32 4
- 2 92075-289 DAMPER RUBBER 4
- 3 92027-1079 COLLAR,8X15 4
- 4 12053-1013 IDLER ASSY,CAM CHAIN 1 E/NO. 054600~
- 5 12053-1012 IDLER ASSY,CAM CHAIN 2
- 6 92075-123 DAMPER RUBBER 2
- 7 92075-232 RUBBER,GUIDE ROLLAR 4
- 8 21070-012 CHAIN,CAM 1
- 9 12052-005 SHAFT,GUIDE ROLLER 2
- 10 12055-004 ROLLER,CAM CHN GUIDE 1
- 11 12052-003 SHAFT,CAM CHAIN GUIDE 1
- 12 12048-015 TENSIONER,CAM CHAIN 1

13 11009-1980 GASKET,TENSIONER 1  
14 12049-1003 HOLDER,TENSIONER 1 KZ650-B1/B2/B2A  
15 311B0600 NUT 6MM 1 KZ650-B1/B2/B2A  
16 92003-093 BOLT,TENSIONER ADJUST 1 KZ650-B1/B2/B2A  
17 92022-077 WASHER OIL PUMP BANJO 1  
18 130G0630 BOLT,FLANGED,6X30 1  
19 12054-001 PUSH ROD,CAM CHAIN 1 KZ650-B1/B2/B2A  
20 92081-107 SPRING,TENSTIONER 1 KZ650-B1/B2/B2A  
21 130H0635 BOLT,FLANGED,6X35 1  
22 12053-1013 IDLER ASSY,CAM CHAIN 1 E/NO. 000101~054599  
23 12053-1012 IDLER ASSY,CAM CHAIN 1 E/NO. 000101~054599  
24 92027-261 COLLAR,IDLER 1 E/NO. 000101~054599  
25 130G0625 BOLT,FLANGED,6X25 1 E/NO. 000101~054599  
26 99996-1021 TENSIONER KIT 1 KZ650-B3  
27 92022-077 WASHER OIL PUMP BANJO 1 KZ650-B3  
28 92001-1155 BELT,TENSIONER ADJUST 1 KZ650-B3  
29 13116-1008 ROD ASSY,PUSH 1 KZ650-B3  
30 92081-1068 SPRING,TENSIONER 1 KZ650-B3  
31 14020-1002 RETAINER 1 KZ650-B3  
32 92027-1102 COLLAR, TENSIONER 1 KZ650-B3  
33 92081-146 SPRING 1 KZ650-B3





1 12044-013 CAM SHAFT,EXHAUST 1  
2 12046-004 SPROCKET,CAM 2  
3 92003-208 BOLT,SPROCKET FITTING 4  
4 12044-012 CAM SHAFT,INLET 1  
5 12032-1001 TAPPET 8  
6 92025-1090 SHIM,2.007 AR  
6 92025-1091 SHIM,2.05T AR  
6 92025-1092 SHIM,2.10T AR  
6 92025-1093 SHIM,2.15T AR  
6 92025-1094 SHIM,2.20T AR  
6 92025-1095 SHIM,2.25T AR  
6 92025-1096 SHIM,2.30T AR  
6 92025-1097 SHIM,2.35T AR  
6 92025-1098 SHIM,2.40T AR  
6 92025-1099 SHIM,2.45T AR  
6 92025-1100 SHIM,2.50T AR  
6 92025-1101 SHIM T2.55 AR  
6 92025-1102 SHIM,2.60T AR  
6 92025-1103 SHIM,2.65T AR  
6 92025-1104 SHIM,2.70T AR  
6 92025-1105 SHIM,2.75T AR  
6 92025-1106 SHIM,2.80T AR  
6 92025-1107 SHIM,2.85T AR  
6 92025-1108 SHIM,2.90T AR  
6 92025-1109 SHIM,2.95 AR  
6 92025-1110 SHIM,3.00T AR  
6 92025-1111 SHIM,3.05T AR  
6 92025-1112 SHIM,3.10T AR  
6 92025-1113 SHIM,3.15T AR  
6 92025-1114 SHIM,3.20T AR  
7 12011-004 SPLIT KEEPER 16  
8 12009-008 RETAINER,VALVE SPRING 8  
9 12007-012 SPRING,OUTER VALVE 8  
10 12007-011 SPRING,INNER VALVE 8  
11 92049-016 OIL SEAL,RV37129.5 8  
12 16007-1024 SEAT-SPRING,VALVE 8  
13 12005-008 VALVE,EXHAUST 4  
14 12004-1011 VALVE,INTAKE 4

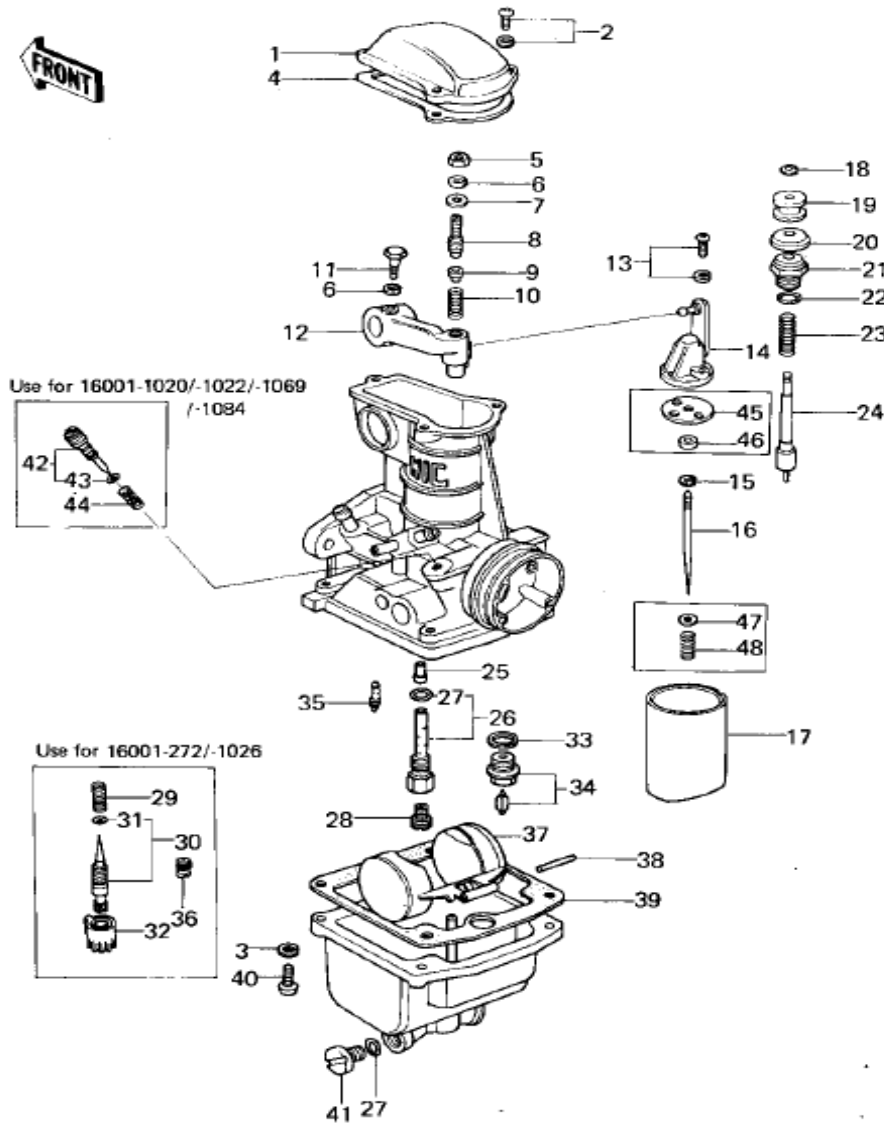


1 16001-1020 CARBURETOR ASSY 1 F/NO.000101~016508  
1 16001-1020 CARBURETOR ASSY F/NO.000101~016508 ((F/NO.500001~501185)  
1 16001-1020 CARBURETOR ASSY 1 F/NO.015509-027500  
1 16001-1020 CARBURETOR ASSY F/NO.015509-027500  
1 16001-1069 CARBURETOR ASSY 1 (F/NO.501186~508015)  
1 16001-1069 CARBURETOR ASSY (F/NO.501186~508015) (F/NO.027501~03435)  
1 16001-1069 CARBURETOR ASSY 1 (for 16001-272)  
1 16001-1069 CARBURETOR ASSY 1 (for 16001-1020)  
1 16001-1069 CARBURETOR ASSY 1 F/NO.034358~  
1 16001-1069 CARBURETOR ASSY F/NO.034358~  
1 16001-1026 CARBURETOR ASSY 1 KZ650-B2A  
1 16001-1026 CARBURETOR ASSY KZ650-B2A  
1 16001-1084 CARBURETOR ASSY 1 (F/NO.515326~523523)  
1 16001-1084 CARBURETOR ASSY (F/NO.515326~523523) (F/NO.046201~) ((F/  
2 16001-307 CARBURETOR, L.H. OUTSIDE 1 (for 16001-1020)  
2 16001-1029 CARBURETOR, L.H. OUTSIDE 1 (for 16001-1020)  
2 16001-1029 CARBURETOR, L.H. OUTSIDE 1 (for 16001-1022)  
2 16001-1070 CARBURETOR, L.H. OUTSIDE 1 (for 16001-1069)  
2 16001-1079 CARBURETOR, L.H. OUTSIDE 1 (for 16001-1026)  
3 16001-308 CARBURETOR, L.H. INSIDE 1 (for 16001-1026)  
3 16001-1030 CARBURETOR, L.H. INSIDE 1 (for 16001-1020)  
3 16001-1041 CARBURETOR, L.H. INSIDE 1 (for 16001-1022)  
3 16001-1071 CARBURETOR, L.H. INSIDE 1 (for 16001-1069)  
3 16001-1080 CARBURETOR, L.H. INSIDE 1 (for 16001-1026)  
4 16001-309 CARBURETOR, R.H. INSIDE 1 (for 16001-1026)  
4 16001-1031 CARBURETOR, R.H. INSIDE 1 (for 16001-1020)  
4 16001-1031 CARBURETOR, R.H. INSIDE 1 (for 16001-1022)  
4 16001-1072 CARBURETOR, R.H. INSIDE 1 (for 16001-1069)  
4 16001-1081 CARBURETOR, R.H. INSIDE 1 (for 16001-1026)  
5 16001-310 CARBURETOR, R.H. OUTSIDE 1 (for 16001-1026)  
5 16001-1032 CARBURETOR, R.H. OUTSIDE 1 (for 16001-1020)  
5 16001-1032 CARBURETOR, R.H. OUTSIDE 1 (for 16001-1022)  
5 16001-1073 CARBURETOR, R.H. OUTSIDE 1 (for 16001-1069)  
5 16001-1082 CARBURETOR, R.H. OUTSIDE 1 (for 16001-1026)  
6 16046-005 SCREW, STARTER LEVER 1 1  
6 16046-005 SCREW, STARTER LEVER 1  
7 16040-009 SPRING, STARTER LEVER 1 1  
7 16040-009 SPRING, STARTER LEVER 1  
8 410B0500 WASHER, PLAIN, NYLON 1 1  
8 410B0500 WASHER, PLAIN, NYLON 1  
9 16039-019 SHAFT, STARTER PLUNGER 1 1  
9 16039-019 SHAFT, STARTER PLUNGER 1  
10 16041-021 SCREW, PAN HEAD 1 1  
10 16041-021 SCREW, PAN HEAD 1  
11 16046-007 LEVER, STARTER PLUNGER 4 4  
11 16046-007 LEVER, STARTER PLUNGER 4  
12 16068-014 SCREW, PAN HEAD 4 (for 16001-272)  
12 16068-014 SCREW, PAN HEAD 4 (for 16001-1020)  
12 16068-014 SCREW, PAN HEAD 4 (for 16001-1022)  
12 16068-014 SCREW, PAN HEAD 4 (for 16001-1069)

13 220B0514A SCREW, PAN HEAD, 5 X 14 3 3  
13 220B0514A SCREW, PAN HEAD, 5 X 14 3  
14 461F0500 WASHER, SPRING, 5 mm 4 4  
14 461F0500 WASHER, SPRING, 5 mm 4  
15 16055-012 PLATER, SHAFT STOPPER 1 1  
15 16055-012 PLATER, SHAFT STOPPER 1  
16 16041-017 SHAFT,CARB CONNECTION 1 1  
16 16041-017 SHAFT,CARB CONNECTION 1  
17 16040-022 SPRING,CABLE PULLY 1 1  
17 16040-022 SPRING,CABLE PULLY 1  
18 16021-032 SCREW 1 1  
18 16021-032 SCREW 0 1  
18 16021-032 SCREW 1  
18 16021-1008 SCREW,ADJUST 1 (for 16001-1026)  
19 16022-010 SPRING,THROTTLE ADJUST 1 1  
19 16022-010 SPRING,THROTTLE ADJUST 1  
20 16077-017 BRACKET,THROTTLE CABL 1 1  
20 16077-017 BRACKET,THROTTLE CABL 1  
21 221B0510A SCREW CNTSNK HD 5X10 2 2  
21 221B0510A SCREW CNTSNK HD 5X10 2  
22 16067-006 BOLT,HEX HEAD,5X14 1 1  
22 16067-006 BOLT,HEX HEAD,5X14 1  
23 16068-015 PULLEY,THROTTLE CABLE 1 (for 16001-272)  
23 16068-015 PULLEY,THROTTLE CABLE 1 (for 16001-1020)  
23 16068-015 PULLEY,THROTTLE CABLE 1 (for 16001-1022)  
23 16068-015 PULLEY,THROTTLE CABLE 1 (for 16001-1069)  
23 16068-015 PULLEY,THROTTLE CABLE 1 (for 16001-1026)  
24 16073-016 RING 1 1  
24 16073-016 RING 1  
25 482K3000 CIRCLIP 3MM 1 1  
25 482K3000 CIRCLIP 3MM 1  
26 16022-017 SPRING,THROTTLE STOP 1 1  
26 16022-017 SPRING,THROTTLE STOP 1  
27 16021-1010 SCREW,THROTTLE STOP 1 1  
27 16021-1010 SCREW,THROTTLE STOP 1  
28 16065-049 HOLDER,CARBURETOR 1 1  
28 16065-049 HOLDER,CARBURETOR 1  
29 92081-1028 SPRING,THROTTLE PULLY 1 1  
29 92081-1028 SPRING,THROTTLE PULLY 1  
30 16077-016 BRACKET,THROTTLE CABL 1 1  
30 16077-016 BRACKET,THROTTLE CABL 1  
31 16033-029 SCREW,6X14 8 8  
31 16033-029 SCREW,6X14 8  
32 92037-056 CLAMP,CARB CONECT HOS 2 2  
32 92037-056 CLAMP,CARB CONECT HOS 2  
33 92059-1443 TUBE,5.8X10.8X180 1 1  
33 92059-1443 TUBE,5.8X10.8X180 1  
33 92059-1044 HOSE,FEL,6.5X11.5X160 1 1  
33 92059-1044 HOSE,FEL,6.5X11.5X160 1  
34 92005-1010 FITTING 1 1  
34 92005-1010 FITTING 1  
35 92059-1045 HOSE,AIR VENT,5X8X250 2 2

35 92059-1045 HOSE,AIR VENT,5X8X250 2  
35 92059-1045 HOSE,AIR VENT,5X8X250 2 2  
35 92059-1045 HOSE,AIR VENT,5X8X250 2  
36 92005-1009 FITTING 2 2  
36 92005-1009 FITTING 2  
37 16039-042 CAP,RUBBER 2 2  
37 16039-042 CAP,RUBBER 2  
38 92071-104 GROMMET,CARBURETOR 6 6  
38 92071-104 GROMMET,CARBURETOR 6  
39 92059-141 HOSE,6X11.5X16 2 2  
39 92059-141 HOSE,6X11.5X16 2  
40 92037-173 CLAMP,OVERFLOW HOSE 4 4  
40 92037-173 CLAMP,OVERFLOW HOSE 4  
41 92059-147 HOSE,FUEL OVERFLOW 1 1  
41 92059-147 HOSE,FUEL OVERFLOW 1  
42 92037-072 CLAMP-PIPE 0 2  
42 92037-072 CLAMP-PIPE 2 2  
42 92037-072 CLAMP-PIPE 2  
43 92059-1019 TUBE,5.3X10.5X140 0 1  
43 92059-1019 TUBE,5.3X10.5X140 1 1  
43 92059-1019 TUBE,5.3X10.5X140 1  
44 92037-1092 CLAMP,AIR VENT HOSE 1 1  
44 92037-1092 CLAMP,AIR VENT HOSE 1  
45 92059-147 HOSE,FUEL OVERFLOW 1 (for 16001-272)  
45 92059-147 HOSE,FUEL OVERFLOW 1 (for 16001-1020)  
45 92059-147 HOSE,FUEL OVERFLOW 1 (for 16001-1022)  
45 92059-147 HOSE,FUEL OVERFLOW 1 (for 16001-1069)  
45 92059-147 HOSE,FUEL OVERFLOW 1 (for 16001-1026)  
45 92059-134 HOSE,FUEL OVERFLOW 0 1  
45 92059-134 HOSE,FUEL OVERFLOW 1  
46 92059-134 HOSE,FUEL OVERFLOW 2 2  
46 92059-134 HOSE,FUEL OVERFLOW 2  
47 13168-1026 LEVER,STARTER PLUNGER 0 4  
47 13168-1026 LEVER,STARTER PLUNGER 4 4  
47 13168-1026 LEVER,STARTER PLUNGER 4  
48 16073-016 RING 1 (for 16001-272)  
48 16073-016 RING 1 (for 16001-1020)  
48 16073-016 RING 1 (for 16001-1022)  
48 16073-016 RING 1 (for 16001-1069)  
48 16073-016 RING 1 (for 16001-1026)  
49 482K3000 CIRCLIP 3MM 1 (for 16001-272)  
49 482K3000 CIRCLIP 3MM 1 (for 16001-1020)  
49 482K3000 CIRCLIP 3MM 1 (for 16001-1022)  
49 482K3000 CIRCLIP 3MM 1 (for 16001-1069)  
49 482K3000 CIRCLIP 3MM 1 (for 16001-1026)

FRONT

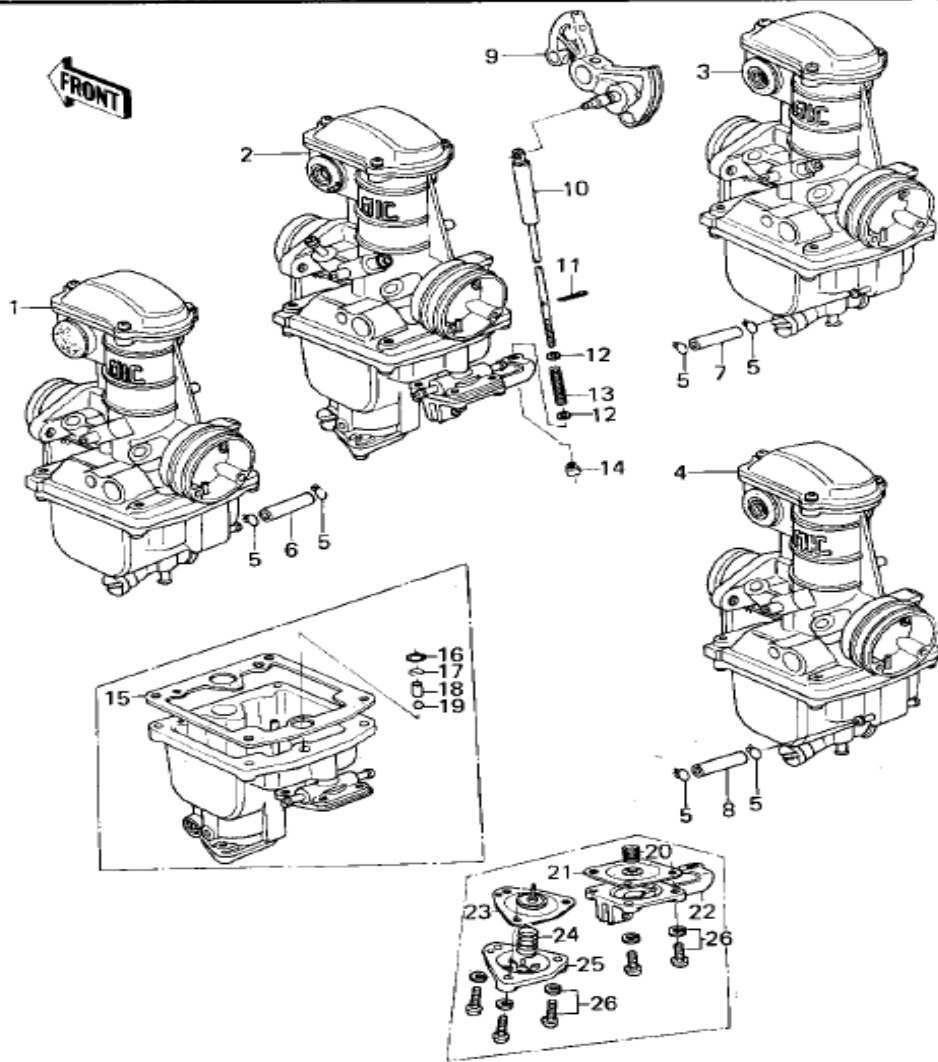


1 16005-027 TOP,MIXING CHAMBER 4 4  
1 16005-027 TOP,MIXING CHAMBER 4  
4 16019-031 GASKET,CHAMBER TOP 4 4  
4 16019-031 GASKET,CHAMBER TOP 4  
5 16003-013 NUT,5MM 4 4  
5 16003-013 NUT,5MM 4  
6 461F0500 WASHER SPRING 5MM 8 8  
6 461F0500 WASHER SPRING 5MM 8  
7 16039-016 WASHER,PLAIN 4 4  
7 16039-016 WASHER,PLAIN 4  
8 16046-012 SCREW,SLOTTED 4 4  
8 16046-012 SCREW,SLOTTED 4  
9 16057-002 SEAT,SPRING 4 4  
9 16057-002 SEAT,SPRING 4  
10 16040-026 SPRING 4 4  
10 16040-026 SPRING 4  
11 16067-006 BOLT,HEX HEAD,5X14 4 4  
11 16067-006 BOLT,HEX HEAD,5X14 4  
12 39075-1001 LEVER,THROTTLE 4 4  
12 39075-1001 LEVER,THROTTLE 4  
13 16033-031 SCREW,PAN HEAD,3X14 8 8  
13 16033-031 SCREW,PAN HEAD,3X14 8  
14 16007-028 BRACKET,THROTTLE VALV 4 (for 16001-272)  
14 16007-028 BRACKET,THROTTLE VALV 4 (for 16001-1020)  
14 16007-028 BRACKET,THROTTLE VALV 4 (for 16001-1022)  
14 16007-028 BRACKET,THROTTLE VALV 4 (for 16001-1069)  
14 39184-1001 BRACKET,THROTTLE VALV 0 4  
14 39184-1001 BRACKET,THROTTLE VALV 4 4  
14 39184-1001 BRACKET,THROTTLE VALV 4  
15 16008-010 CIRCLIP 4 4  
15 16008-010 CIRCLIP 4  
16 16009-071 JET NEEDLE,5DL3 4 (for 16001-272)  
16 16009-071 JET NEEDLE,5DL3 4 (for 16001-1020)  
16 16009-071 JET NEEDLE,5DL3 4 (for 16001-1022)  
16 16009-1013 JET NEEDLE,5CN15 4 (for 16001-1069)  
16 16009-1015 JET NEEDLE,5CL10 4 (for 16001-1026)  
16 16009-1029 JET NEEDLE,5CL16 0 4  
16 16009-1029 JET NEEDLE,5CL16 4  
17 16025-1006 VALVE,THROTTLE 4 (for 16001-1020)  
17 16025-1006 VALVE,THROTTLE 4 (for 16001-1022)  
17 16025-1006 VALVE,THROTTLE 4 (for 16001-1069)  
17 16025-1016 VALVE,THROTTLE,CA2.0 4 (for 16001-1026)  
17 16025-1025 VALVE,THROTTLE,CA1.75 0 4  
17 16025-1025 VALVE,THROTTLE,CA1.75 4  
18 16076-003 CIRCLIP 4 4  
18 16076-003 CIRCLIP 4  
19 16073-014 COLLAR 4 4

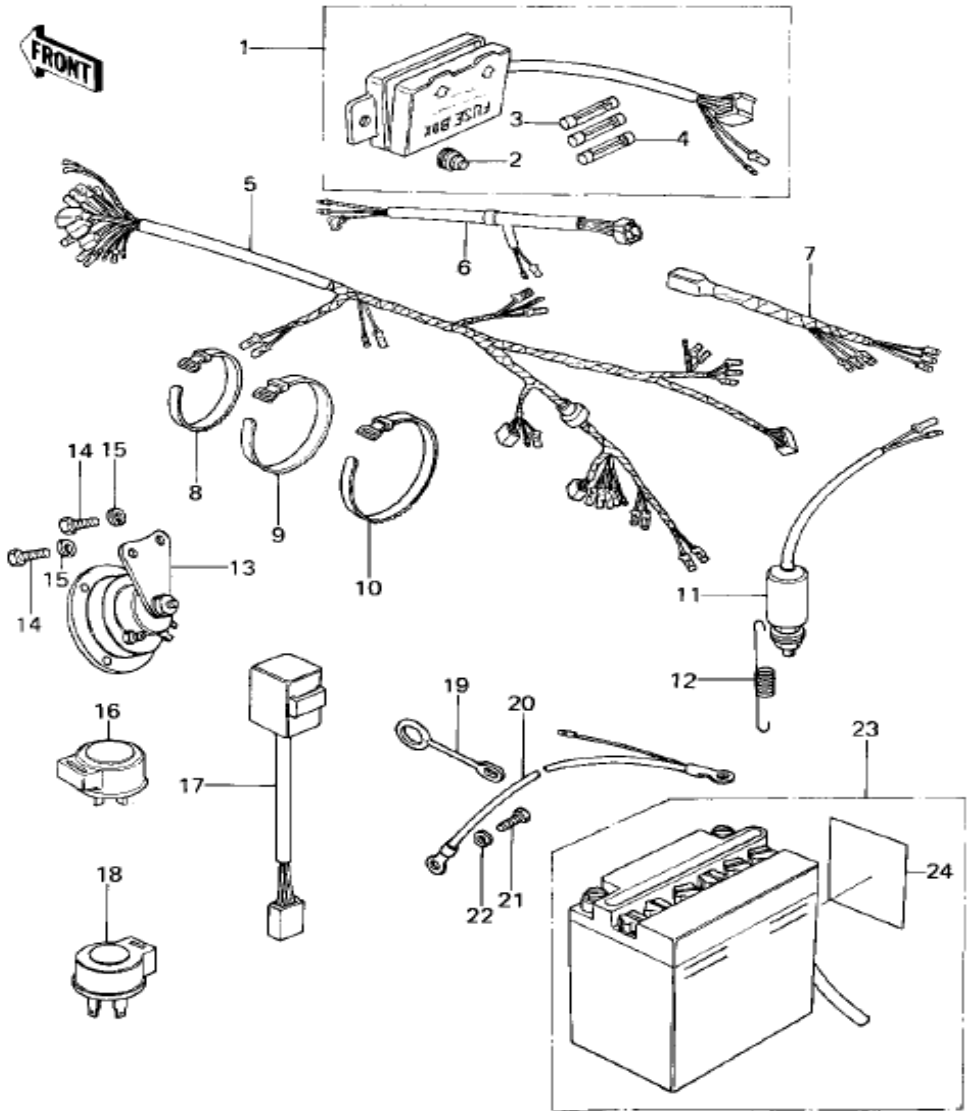


19 16073-014 COLLAR 4  
20 16039-015 CAP,STARTER PLUNGER 4 4  
20 16039-015 CAP,STARTER PLUNGER 4  
21 16012-015 CAP,STARTER PLUNGER 4 4  
21 16012-015 CAP,STARTER PLUNGER 4  
22 670B1509 "O" RING,9MM 4 4  
22 670B1509 "O" RING,9MM 4  
23 16013-008 SPRING,STARTER PLUG 4 4  
23 16013-008 SPRING,STARTER PLUG 4  
24 16016-021 PLUNGER,STARTER 4 4  
24 16016-021 PLUNGER,STARTER 4  
25 16017-096 NEEDLE JET,O-8 4 (for 16001-272)  
25 16017-096 NEEDLE JET,O-8 4 (for 16001-1020)  
25 16017-096 NEEDLE JET,O-8 4 (for 16001-1022)  
25 16017-1021 NEEDLE JET,O-4 4 (for 16001-1069)  
25 16017-1018 NEEDLE JET,AO-7 4 (for 16001-1026)  
25 16017-1034 NEEDLE JET,AO-5 0 4  
25 16017-1034 NEEDLE JET,AO-5 4  
26 16047-005 PIPE,BLEED 4 (for 16001-272)  
26 16047-005 PIPE,BLEED 4 (for 16001-1020)  
26 16047-005 PIPE,BLEED 4 (for 16001-1022)  
26 16047-005 PIPE,BLEED 4 (for 16001-1069)  
26 16047-005 PIPE,BLEED 4 (for 16001-1026)  
26 49122-1006 PIPE,BLEED 0 4  
26 49122-1006 PIPE,BLEED 4  
27 16038-016 "O" RING,MAIN JET COV 8 8  
27 16038-016 "O" RING,MAIN JET COV 8  
28 92063-1028 MAIN JET,#A102.5 4 (for 16001-272)  
28 92063-1028 MAIN JET,#A102.5 4 (for 16001-1020)  
28 92063-1028 MAIN JET,#A102.5 4 (for 16001-1022)  
28 92063-1028 MAIN JET,#A102.5 4 (for 16001-1069)  
28 92063-1029 MAIN JET,#A90R 4 (for 16001-1026)  
28 92063-1035 MAIN JET,#A97.5R 0 4  
28 92063-1035 MAIN JET,#A97.5R 4  
28 92063-1033 MAIN JET,#A100 4 4  
28 92063-1033 MAIN JET,#A100 4  
28 92063-1042 MAIN JET,#A105R 4 4  
28 92063-1042 MAIN JET,#A105R 4  
28 92063-073 JET-MAIN NO 107.5R 4 4  
28 92063-073 JET-MAIN NO 107.5R 4  
28 92063-068 MAIN JET NO 92.5R 4 4  
28 92063-068 MAIN JET NO 92.5R 4  
28 92063-1031 MAIN JET,#A95 4 4  
28 92063-1031 MAIN JET,#A95 4  
29 16022-016 SPRING,PILOT SCREW 4 (for 16001-272)  
29 16022-016 SPRING,PILOT SCREW 4 (for 16001-1026)  
30 16014-018 SCREW,PILOT ADJUSTING 4 (for 16001-272)  
30 16014-018 SCREW,PILOT ADJUSTING 4 (for 16001-1026)  
31 16038-024 "O" RING 4 (for 16001-272)  
31 16038-024 "O" RING 4 (for 16001-1026)  
32 16012-022 CAP,LIMTTTER 4 (for 16001-1026)  
32 11012-1041 CAP,LIMITER 4 (for 16001-1026)

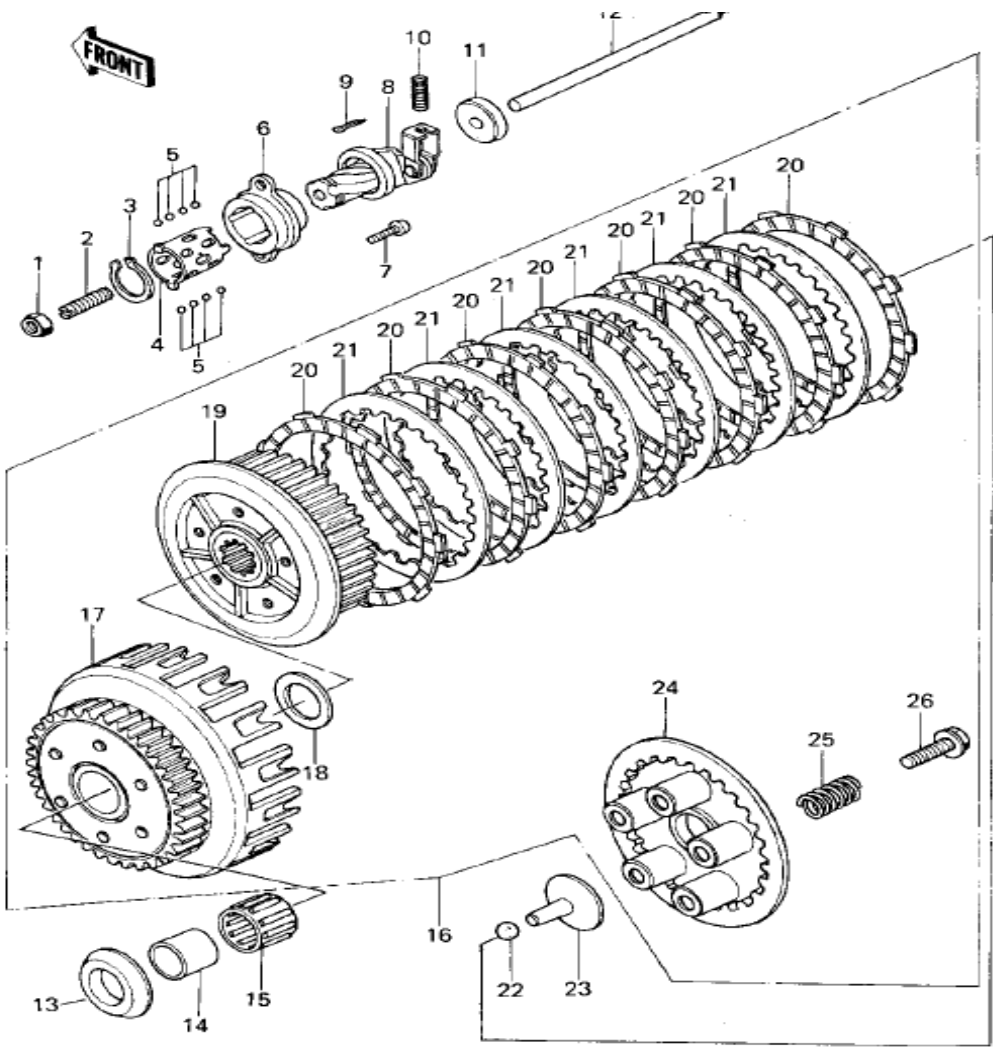
33 16029-004 WASHER FLOAT VLV SEAT 4 4  
33 16029-004 WASHER FLOAT VLV SEAT 4  
34 16030-1001 FLOAT VALVE ASSY 4 4  
34 16030-1001 FLOAT VALVE ASSY 4  
35 92064-1018 PILOT JET,#A15 4 4  
35 92064-1018 PILOT JET,#A15 4  
36 92064-1019 PILOT JET,#A50 4 (for 16001-272)  
36 92064-1019 PILOT JET,#A50 4 (for 16001-1026)  
37 16031-031 FLOAT 4 4  
37 16031-031 FLOAT 4  
38 16032-003 FLOAT PIN 4 4  
38 16032-003 FLOAT PIN 4  
39 11009-1563 GASKET,FLOAT CHAMBER 4 4  
39 11009-1563 GASKET,FLOAT CHAMBER 4  
41 16049-007 SCREW,GUIDE 4 4  
41 16049-007 SCREW,GUIDE 4  
42 16014-1004 SCREW,PILOT ADJUSTING 0 4  
42 16014-1004 SCREW,PILOT ADJUSTING 4 4  
42 16014-1004 SCREW,PILOT ADJUSTING 0 4  
42 16014-1004 SCREW,PILOT ADJUSTING 4  
42 16014-1006 SCREW,AIR ADJUSTING 4 (for 16001-1069)  
43 16038-022 "O" RING 4 (for 16001-1020)  
43 16038-022 "O" RING 4 (for 16001-1022)  
43 16038-022 "O" RING 4 (for 16001-1069)  
44 16022-007 SPRING-THR STOP SCREW 4 (for 16001-1020)  
44 16022-007 SPRING-THR STOP SCREW 4 (for 16001-1022)  
44 16022-007 SPRING-THR STOP SCREW 4 (for 16001-1069)  
45 13169-1107 PLATE,JET NEEDLE 0 4  
45 13169-1107 PLATE,JET NEEDLE 4 4  
45 13169-1107 PLATE,JET NEEDLE 4  
46 92027-1103 RING,JET NEEDLE 0 4  
46 92027-1103 RING,JET NEEDLE 4 4  
46 92027-1103 RING,JET NEEDLE 4  
47 92022-1024 WASHER,THROTTLE VALVE 0 4  
47 92022-1024 WASHER,THROTTLE VALVE 4 4  
47 92022-1024 WASHER,THROTTLE VALVE 4  
48 92081-1072 SPRING,JET NEEDLE 0 4  
48 92081-1072 SPRING,JET NEEDLE 4 4  
48 92081-1072 SPRING,JET NEEDLE 4



16001-1122 CARBURETOR,L.H,OUTSID 0 1  
1 16001-1122 CARBURETOR,L.H,OUTSID 1  
2 16001-1123 CARBURETOR,L.H,INSIDE 0 1  
2 16001-1123 CARBURETOR,L.H,INSIDE 1  
3 16001-1124 CARBURETOR,R.H,INSIDE 0 1  
3 16001-1124 CARBURETOR,R.H,INSIDE 1  
4 16001-1125 CARBURETOR,R.H,OUTSID 0 1  
4 16001-1125 CARBURETOR,R.H,OUTSID 1  
5 92037-1124 CLAMP,TUBE 0 6  
5 92037-1124 CLAMP,TUBE 6  
6 92059-1072 TUBE,3.5X7.5X47.5 0 1  
6 92059-1072 TUBE,3.5X7.5X47.5 1  
7 92059-1071 TUBE,3.5X7.5X64.5 0 1  
7 92059-1071 TUBE,3.5X7.5X64.5 1  
8 92059-1072 TUBE,3.5X7.5X47.5 0 1  
8 92059-1072 TUBE,3.5X7.5X47.5 1  
9 13236-1014 PULLEY,THROTTLE CABLE 0 1  
9 13236-1014 PULLEY,THROTTLE CABLE 1  
10 46102-1007 ROD ASSY,PUMP 0 1  
10 46102-1007 ROD ASSY,PUMP 1  
11 550D1006 COTTER PIN,1.0X6 0 1  
11 550D1006 COTTER PIN,1.0X6 1  
12 92022-1138 WASHER,PUMP ROD 0 2  
12 92022-1138 WASHER,PUMP ROD 2  
13 92081-1138 SPRING,PUMP ROD 0 1  
13 92081-1138 SPRING,PUMP ROD 1  
14 92015-1075 NUT,PUMP ROD 0 1  
14 92015-1075 NUT,PUMP ROD 1  
15 11009-1562 GASKET,FLOAT CHAMBER 0 4  
15 11009-1562 GASKET,FLOAT CHAMBER 4  
16 16038-016 "0" RING,MAIN JET COV 0 4  
16 16038-016 "0" RING,MAIN JET COV 4  
17 92037-1123 CLAMP,SPRING,CHECK VL 0 4  
17 92037-1123 CLAMP,SPRING,CHECK VL 4  
18 13042-1004 WEIGHT,PUMP,CHECK VLV 0 4  
18 13042-1004 WEIGHT,PUMP,CHECK VLV 4  
19 92140-1003 BALL,STEEL,CHECK VALV 0 4  
19 92140-1003 BALL,STEEL,CHECK VALV 4  
20 92081-1139 SPRING,PUMP DIAPHRAGM 0 1  
20 92081-1139 SPRING,PUMP DIAPHRAGM 1  
21 43028-1012 DIAPHRAGM,PUMP 0 1  
21 43028-1012 DIAPHRAGM,PUMP 1  
22 14025-1139 COVER ASSY,PUMP 0 1  
22 14025-1139 COVER ASSY,PUMP 1  
23 43028-1010 DIAPHRAGM,SENSOR 0 1  
23 43028-1010 DIAPHRAGM,SENSOR 1  
24 92081-1137 SPRING,SENSOR DIAPHRA 0 1  
24 92081-1137 SPRING,SENSOR DIAPHRA 1  
25 14025-1121 COVER,SENSOR 0 1  
25 14025-1121 COVER,SENSOR 1  
26 223B0414 SCREW-PAN-WS-CROS 0 7

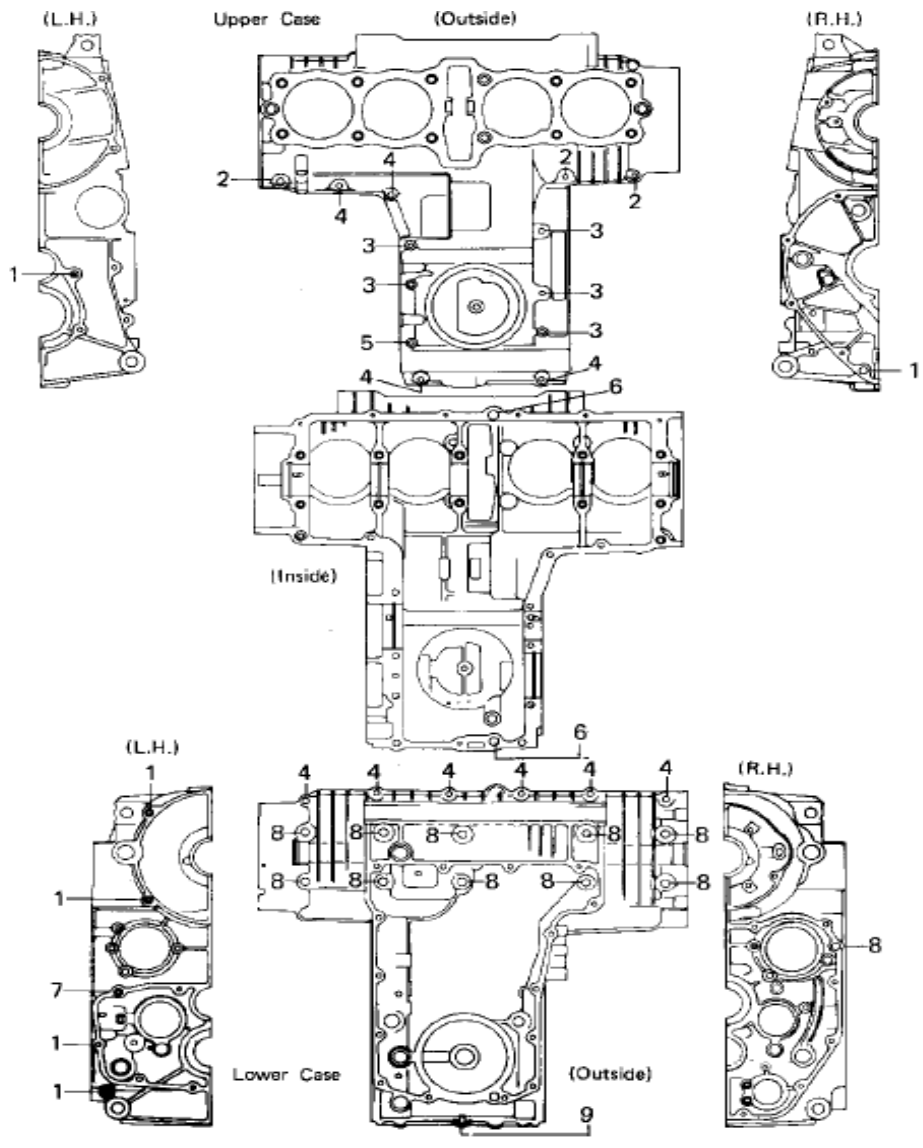


1 26004-035 FUSE ASSY 1 KZ650-B1  
1 26004-1002 FUSE ASSY 1 KZ650-B2~  
2 92075-279 DAMPER RUBBER,FUSE 1  
3 26006-005 FUSE-20A 2  
4 26006-003 FUSE 10A 3  
5 26001-143 WIRING HARNESS,MAIN 1 KZ650-B1  
5 26001-1025 HARNESS,MAIN 1 KZ650-B2/B2A  
5 26001-1131 HARNESS,MAIN 1 KZ650-B3  
6 26001-1022 HARNESS,CENTER 1 KZ650-B2~  
7 26002-063 WIRING HARNESS,REAR 1  
8 92072-030 BAND,SHORT 1 KZ650-B1/B2/B2A  
8 92072-030 BAND,SHORT 4 KZ650-B3  
9 92072-031 BAND,MIDDLE 1  
10 92072-056 BAND,WIRING HARNESS 4  
11 27010-017 SWITCH-BRAKE LAMP 1  
12 27011-011 SPRING-BRAKE LAMP SW 1 KZ650-B1/B2/B2A  
12 27011-009 SPRING BRAKE LAMP SW 1 KZ650-B3  
13 27003-076 HORN 1  
14 115G0816 BOLT-SMALL-UPSET,8X16 2  
15 461F0800 WASHER SPRING 8MM 2  
16 27002-016 RELAY,TURN SIGNAL 1  
17 28019-001 SWITCH,OUTAGE,INDICTR 1  
18 27002-011 RELAY-TURN SIGNAL 1  
19 92037-134 CLAMP,OVER FLOW PIPE 1  
20 26010-049 WIRE,BATTERY GROUND 1  
21 92001-137 BOLT,HEX HEAD,6MM 1  
22 461F0600 WASHER SPRING 6MM 1  
23 26012-041 YUA BAT YB10L-A2 1  
23 26012-1010 BATTERY 12V11AH W/LA 1  
24 56040-1036 LABEL-WARNING,BATTERY 1

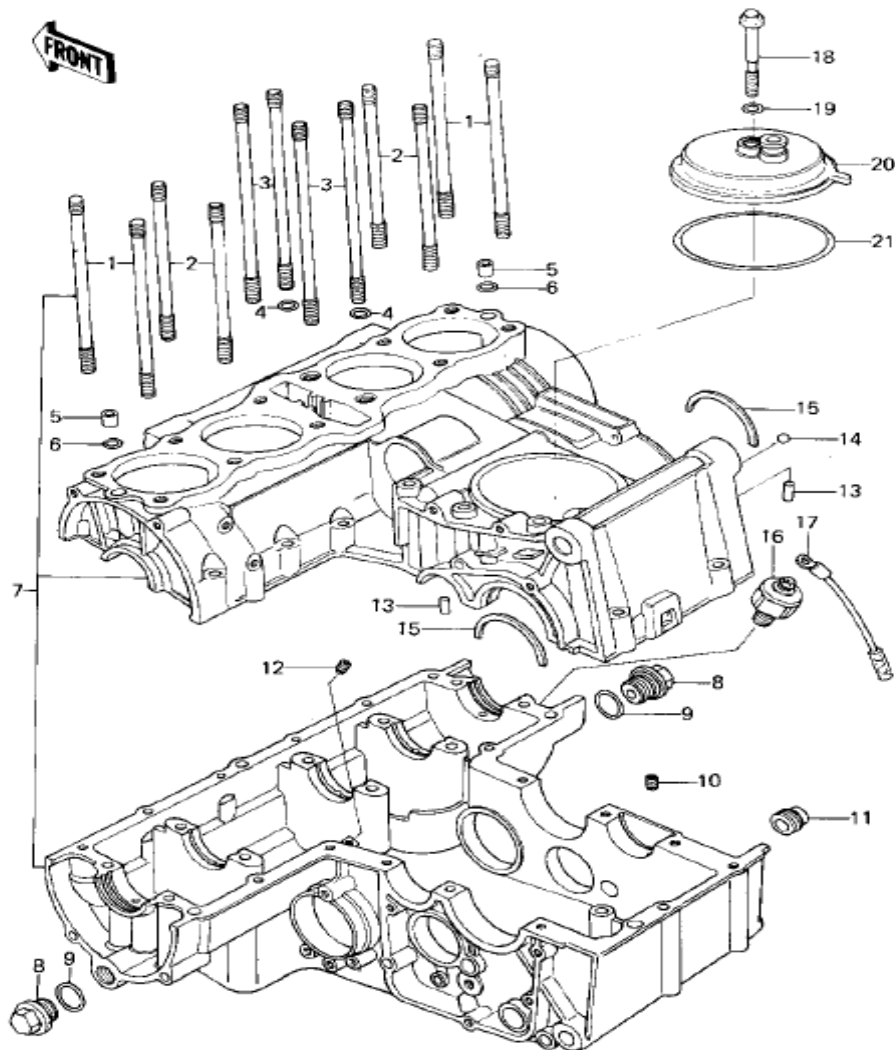


1 318B0800 NUT 8MM 1  
2 92014-014 SCREW,SLOTTED,8X25 1  
3 480J1500 CIRCLIP 15MM 1  
4 13197-004 RETAINER 1  
5 600A0400 BALL,STEEL,1/8" 11  
6 13118-011 OUTER,CLUTCH RELEASE 1  
7 220B0616 SCREW PAN HEAD 6X16 2  
8 13102-027 INNER,CLUTCH RELEASE 1  
9 550D1615 PIN COTTER 1.6X15 1  
10 92081-069 SPRING-CLUTCH RELEASE 1  
11 92050-048 OIL SEAL,TC7187 1  
12 13116-035 ROD,CLUTCH PUSH 1  
13 92026-116 SPACER,THRUST,T=5.5MM 1  
14 92028-178 BUSHING,CLUTCH 1  
15 92046-028 BEARING,KTV323723 1  
16 13081-1043 CLUTCH-ASSY 1  
17 13095-1022 HOUSING,CLUTCH 1  
18 92026-022 WASHER TH 25.5X47X2.5 1  
19 13087-043 HUB,CLUTCH 1  
20 13088-030 PLATE,CLUTCH FRICTION 7  
21 13089-022 PLATE,CLUTCH STEEL 6  
22 600A1200 BALL STEEL 3/8' 1  
23 13116-022 PUSHER,CLUTCH SPRG PL 1  
24 13187-006 PLATE,CLUTCH SPRING 1  
25 92081-1033 SPRING,CLUTCH 5  
26 92001-1066 BOLT,CLUTCH SPR FITT 5



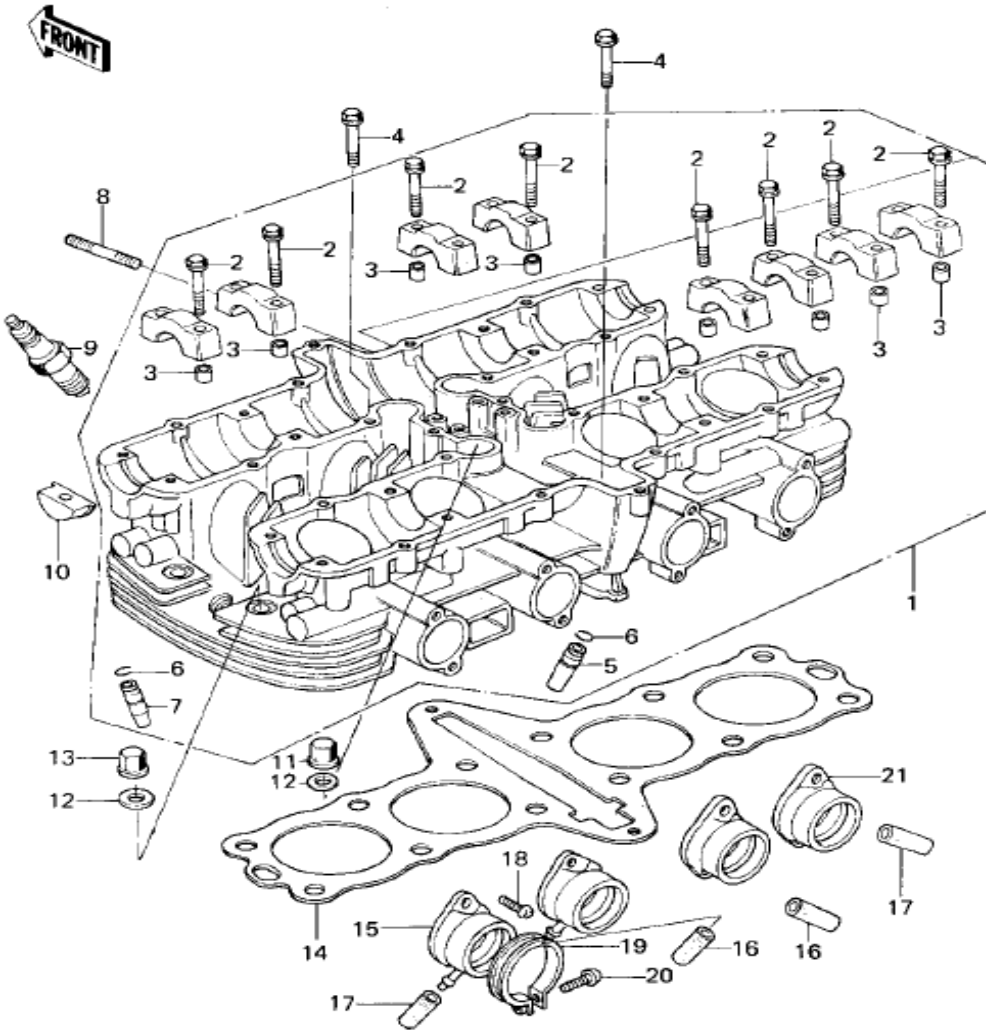


1 92042-007 PIN-DOWEL 7  
2 130G0650 BOLT-FLANGED,6X50 3  
3 92003-111 BOLT,HEX HEAD,6X99 5  
4 92002-1881 BOLT,6X43 2  
4 92002-1881 BOLT,6X43 8  
5 92003-113 BOLT,HEX HEAD,6X116 1  
6 92043-1037 PIN,DOWEL,10X8.2X14 2  
7 551A0614 PIN,DOWEL,6X14 1  
8 130P0895 BOLT-FLANGED,8X95 10  
9 92003-194 BOLT,6X105 1

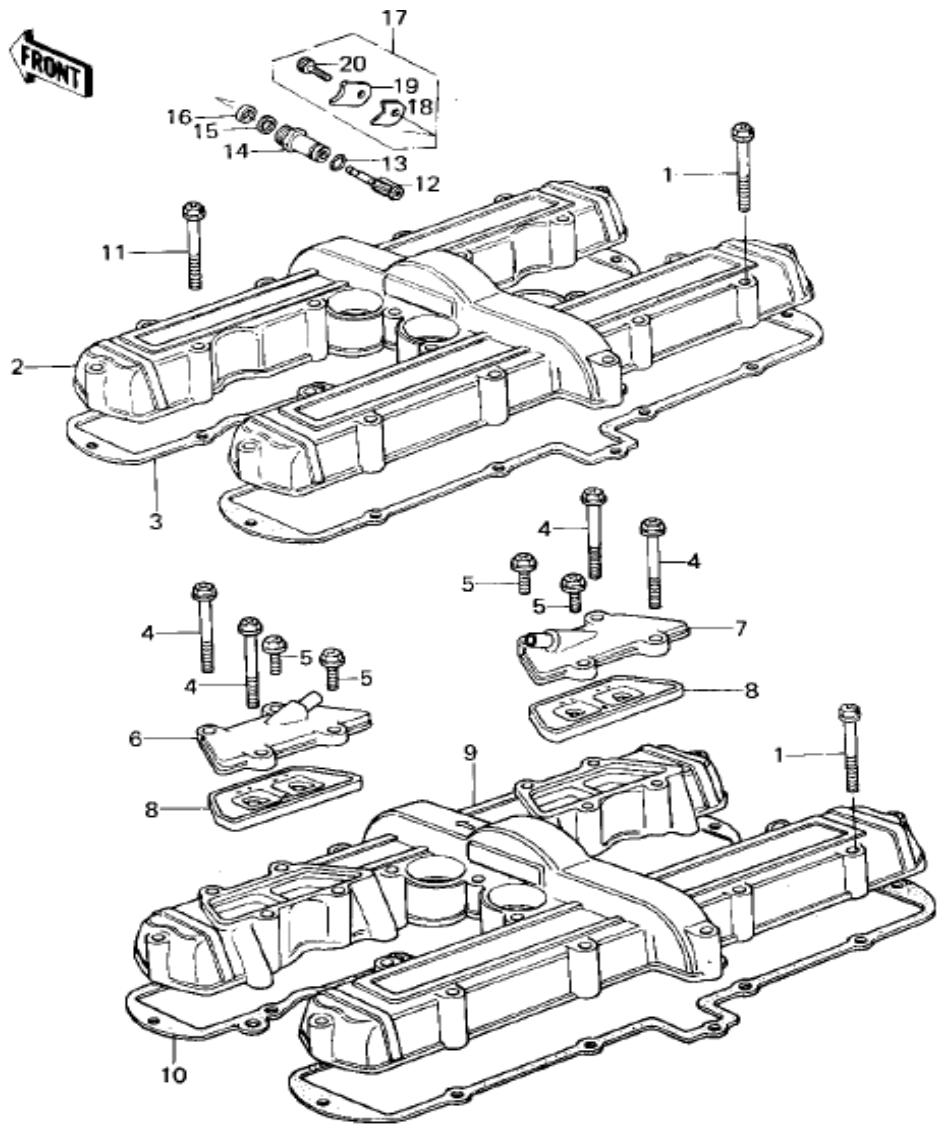


- 1 92004-1004 STUD,10X133 4
- 2 92004-1007 STUD,10X116 4
- 3 92004-062 STUD,10X153 4
- 4 92055-099 "O" RING,8.8MM 2
- 5 92062-016 NOZZLE 2
- 6 670D2010 O RING 2
- 7 14001-101 CRANKCASE ASSY 1 KZ650-B1
- 7 14001-5046 CRANKCASE SET 1 KZ650-B2~
- 8 92066-066 PLUG 2
- 9 92055-1146 RING-O 2
- 10 92062-015 NOZZLE 1
- 11 92062-014 NOZZLE 1
- 12 92062-011 NOZZLE,OIL BIAS 1
- 13 92042-016 PIN DOWEL 6MM 2
- 14 92066-057 PLUG 1

15 14013-004 RING BEARING SETTING 2  
16 16144-006 SWITCH ASY,OIL PRSSUR 1  
17 26011-1011 WIRE,LEAD,OIL SWITCH 1 KZ650-B1/B2/B2A  
17 26011-1011 WIRE,LEAD,OIL SWITCH 1  
18 92003-107 BOLT,HEX HEAD,8X72 1  
19 670B1508 "O" RING,8MM 1  
20 14070-1008 BODY-BREATHHER 1  
21 92055-052 "O" RING,91MM 1

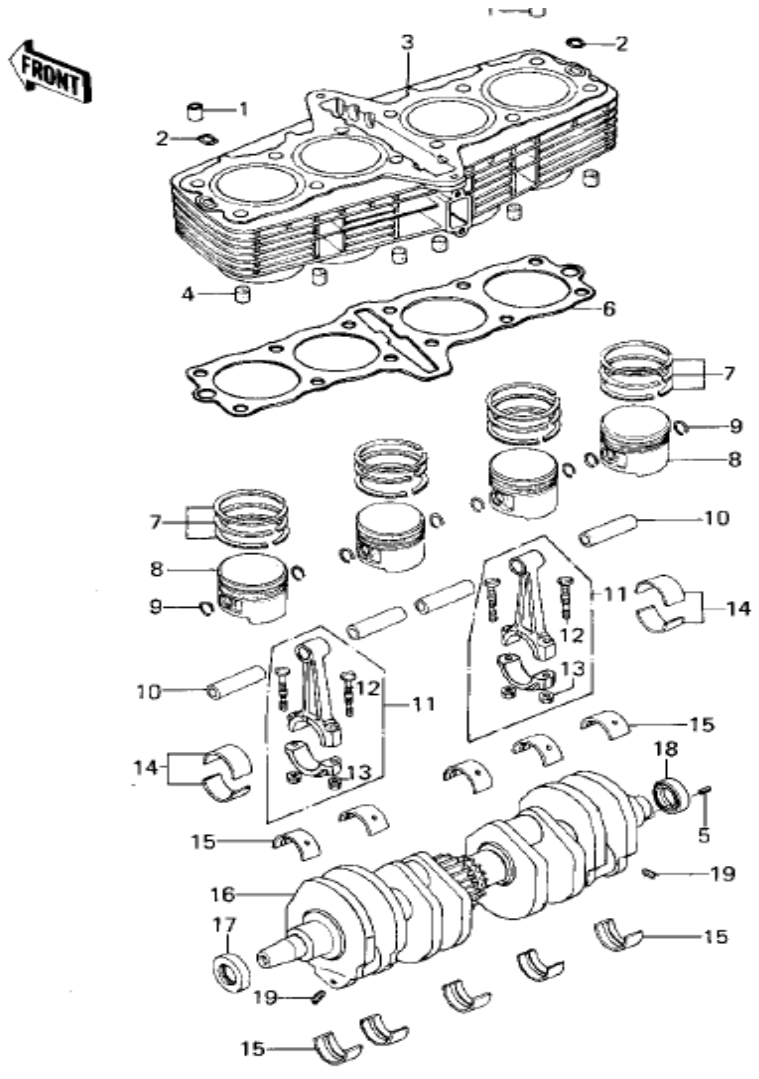


1 11002-028-2H CYLINDER HEAD,BARREL 1 KZ650-B1/B2/B2A  
1 11002-1014 HEAD ASSY,CYLINDER 1 KZ650-B3  
1 11002-1020 HEAD ASSY,CYLINDER 1 KZ650-B3  
2 92003-206 BOLT,HEX HEAD,6X38 16  
3 92042-007 PIN-DOWEL 16  
4 92002-1881 BOLT,6X43 2  
5 12013-009 GUIDE,INLET VALVE 4  
6 92036-023 CIRCLIP-VALVE 8  
7 49002-1002 GUIDE,EXHAUST VALVE 4  
8 92004-066 STUD,6X27 8  
9 B7ES SPARK PLUG B7ES 4  
10 92066-1111 PLUG,CAMSHAFT,11.35X1 4  
11 92015-1415 NUT,10MM 8  
11 92015-076 NUT,CYLINDER HEAD 8  
12 411B1000 WASHER PLAIN 10MM 12  
13 92015-076 NUT,CYLINDER HEAD 4  
14 11004-1107 GASKET-HEAD,CYLINDER 1  
15 16065-046 HOLDER,CARB,L.H. 2  
16 92068-006 RUBBER PLUG 2  
17 92068-006 RUBBER PLUG 2 KZ650-B1/B2/B2A  
17 92068-006 RUBBER PLUG 2 KZ650-B3  
18 220B0618 SCREW PAN HEAD 6X18 8  
19 92037-178 CLAMP,CARBURETOR HLDR 4  
20 220B0525 SCREW-PAN-CROS,5X25 4  
21 16065-047 HOLDER,CARB,R.H 2

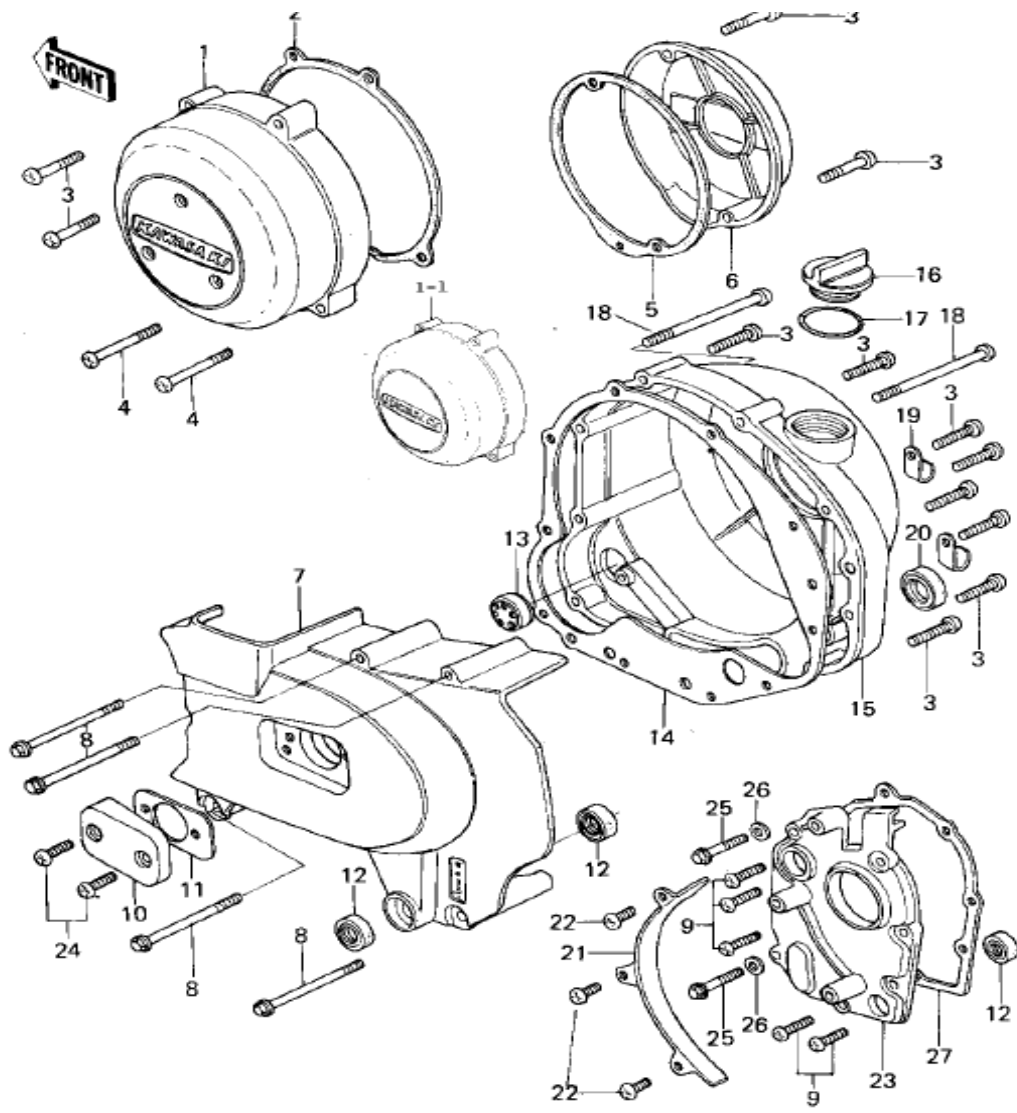


1 92001-165 BOLT,HEX HEAD,6X45 20  
2 11022-009-2H COVER,CYLINDER HEAD 1 KZ650-B1/B2/B2A  
2 14025-1065 COVER,CYLINDER HEAD 1 KZ650-B3  
3 11009-1025 GASKET,CYL HEAD COVER 1 KZ650-B1/B2/B2A  
4 92001-1102 BOLT,HEX HEAD,6X65 4 KZ650-B3  
5 92001-1352 BOLT,FLANGED,6X22 4 KZ650-B3  
6 14075-5002 CAP ASSY,L.H,REED VLV 1 KZ650-B3  
7 14075-5001 CAP ASSY,R.H,REED VLV 1 KZ650-B3  
8 12021-1003 VALVE ASSY REED 2 KZ650-B3  
9 14025-1058 COVER,CYLINDER HEAD 1 KZ650-B3  
10 11009-1065 GASKET,CYL HEAD COVER 1 KZ650-B3  
11 92001-165 BOLT,HEX HEAD,6X45 4 KZ650-B1/B2/B2A  
11 92001-165 BOLT,HEX HEAD,6X45 4 KZ650-B3  
12 13223-011 GEAR,TACHOMETER,10T 1  
13 92055-1149 RING-O,10MM 1  
14 92087-010 GUIDE,TACHOMETER GEAR 1  
15 92050-075 OIL SEAL 1  
16 92065-103 GASKET,TACHOMETER GER 1  
17 13091-5001 HOLDER SET,TACHOMETER 1  
18 13091-1009 HOLDER,TACHOMETR,3.2T 1  
19 13091-1008 HOLDER,TACHOMETER2.3T 1  
20 120P0614 BOLT,6X14 1

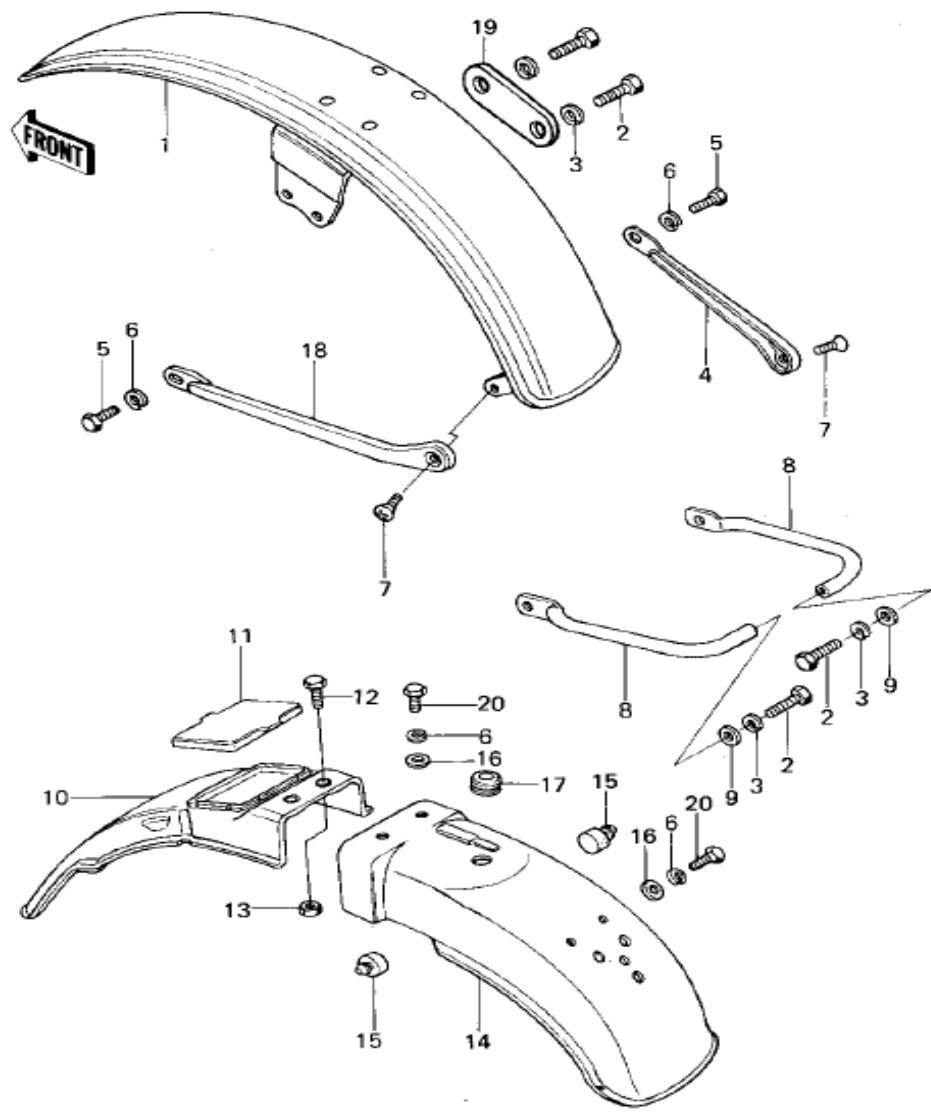




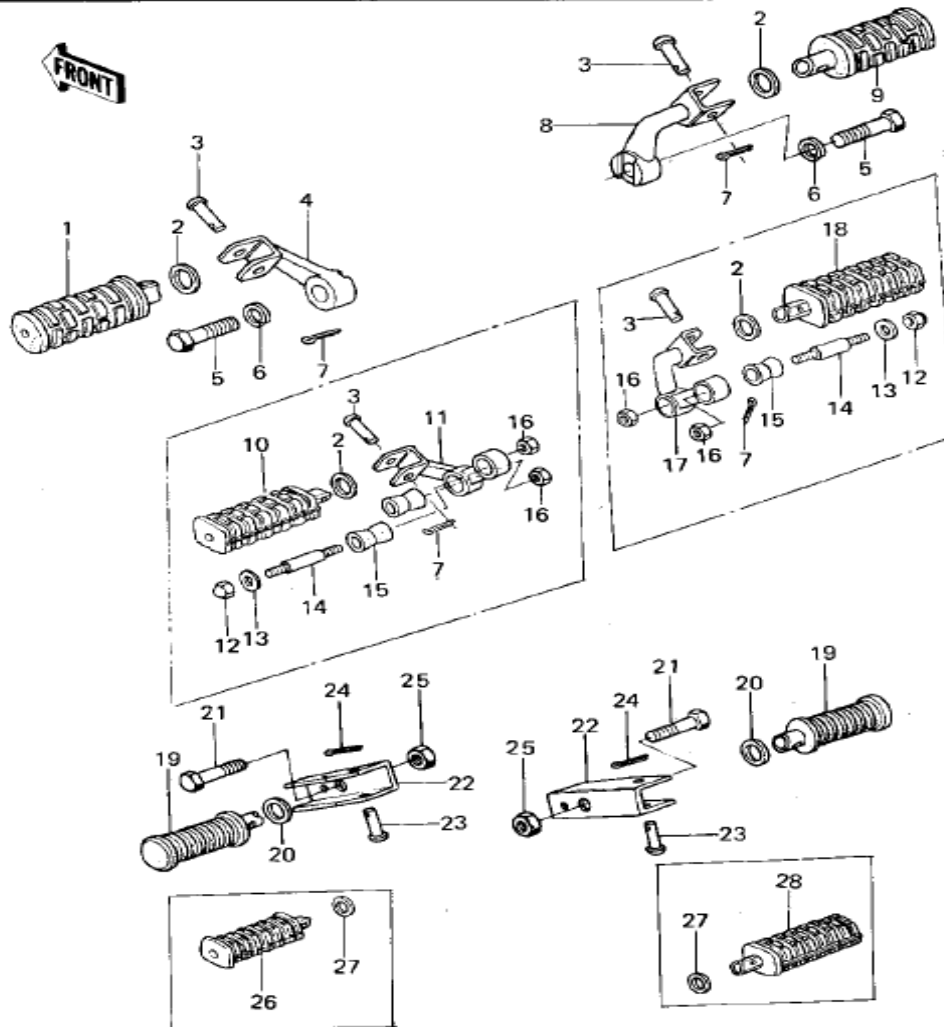
1 92043-1266 PIN,11X14X12.3 2  
2 92055-1147 RING-O 2  
3 11005-1039 CYLINDER 1  
4 92075-075 DAMPER RUBBER 6  
4 92066-1016 PLUG,DAMPER 6  
5 555A0408 PIN-SPRING,4X8 1  
6 11060-1362 GASKET 1  
7 13008-059 RING SET,PISTON,STD 4  
7 13025-061 RING SET,0.020",O.S. 4  
7 13024-060 RING SET,0.040",O.S. 4  
8 13001-1002 PISTON,STD 4  
8 13029-077 PISTON,0.020",O.S. 4  
8 13027-069 PISTON,0.040",O.S. 4  
9 92036-005 CIRCLIP PISTON PIN 8  
10 13002-032 PIN-PISTON 4  
11 13251-1007-JJ CONNECTING ROD ASSY,J 4 "H" MARK  
11 13251-1003-HH CONNECTING ROD ASSY 4 "H" MARK  
11 13251-1007-JJ CONNECTING ROD ASSY,J 4 "I" MARK  
11 13251-1007-JJ CONNECTING ROD ASSY,J 4 "J" MARK  
12 92001-175 BOLT,CONNECTING ROD 8  
12 92001-1793 BOLT,CONNECTING ROD 8  
13 92016-060 NUT,CONNECTING ROD 8  
14 13034-050 METAL,CONNECT ROD BRG 8 GREEN OR "A" MARK  
14 13034-051 METAL,CONNECT ROD BRG 8 BLACK OR "B" MARK  
14 13034-052 METAL,CONNECT ROD BRG 8 BROWN OR "C" MARK  
15 92028-1102 BUSHING,CRANKSHAFT 10  
16 13037-069 CRANKSHAFT ASSY 1  
17 92050-080 OIL SEAL,HSCY22397 1  
18 92050-081 OIL SEAL,HSCY25397 1  
19 291H0608 SCREW,SLOTTED,6X8 2



1 14031-1009-80 COVER,DYNAMO 1 KZ-650-B1  
1 14031-1009-80 COVER,DYNAMO 1  
1-1 14031-1028 COVER,GENERATOR,BUFF 1 KZ650-B2~  
2 14045-029 GASKET,L.H.ENG COVER 1 KZ650-B1  
2 11009-1987 GASKET,GENERATOR COVE 1 KZ650-B2~  
3 220B0630 SCREW PAN HEAD 6X30 12  
4 220B0670 SCREW PAN HEAD 6X70 2 KZ650-B1  
4 220B0640 SCREW PAN HEAD 6X40 2 KZ650-B2~  
5 11060-1053 GASKET,PULSING COIL C 1  
6 11012-1035 CAP,BREAKER POINT,BUF 1  
7 14026-035-80 COVER,ENG SPROCKT,BUF 1  
8 130G0670 BOLT-FLANGED,6X70 4  
9 220B0620 SCREW PAN HEAD 6X20 5  
10 14028-006-80 COVER,CLUTCH ADJUSTNG 1  
11 14049-004 GASKET,CLUTCH ADJ CAP 1  
12 92051-005 OIL SEAL,TB13225.5 3  
13 52015-004 GAUGE,OIL LEVEL 1  
14 14046-035 GASKET,R.H.ENG COVER 1  
15 14032-117-80 COVER,R.H.ENG,BUFF FN 1  
16 16115-013 PLUG,OIL FILLER 1  
17 92055-049 "O" RING,31MM 1  
18 220B0680 SCREW PAN HEAD 6X80 2  
19 21126-008 CLAMP,WIRING HARNESS 2  
20 92049-012 OIL SEAL SB20285 1  
21 12053-1006 GUIDE CHAIN 1  
21 12053-1006 GUIDE,CHAIN 1  
22 112B0614 BOLT-UPSET 6X14 3  
23 14024-011 COVER,MISSION 1  
24 220B0618 SCREW PAN HEAD 6X18 2  
25 92001-164 BOLT,HEX HEAD,6X35 2  
26 92022-077 WASHER OIL PUMP BANJO 2  
27 11060-1056 GASKET,TRANSMISSION C 1



1 35001-1017 FENDER-FR 1  
2 115G0816 BOLT-SMALL-UPSET,8X16 6  
3 461F0800 WASHER SPRING 8MM 6  
4 35010-030 STAY,FRONT FENDER 1  
5 112G0612 BOLT-UPSET,6X12 2  
6 461F0600 WASHER SPRING 6MM 6  
7 222E0616 SCREW,OVL CNTSNK,6X16 2  
8 32109-016 GRIP,FRAME 2  
9 410B0800 WASHER PLAIN 8MM 2  
10 35022-1046 FENDER-RR 1  
11 32099-019 CASE,MANUAL 1  
12 112G0616 BOLT-UPSET,6X16 2  
13 92017-014 NUT,LOCK 6MM 2  
14 35022-153 FENDER-RR 1  
15 92075-135 DAMPER RUBBER,RR FEND 2  
16 410B0600 WASHER PLAIN 6MM 4  
17 92071-019 GROMMET HARNESS 10MM 1  
18 35010-030 STAY,FRONT FENDER 1 KZ650-B1  
18 35011-1007 STAY,FRONT FENDER,L.H 1 KZ650-B2~  
19 92026-1008 SPACER,FRONT FENDER 1  
20 112B0614 BOLT-UPSET 6X14 4

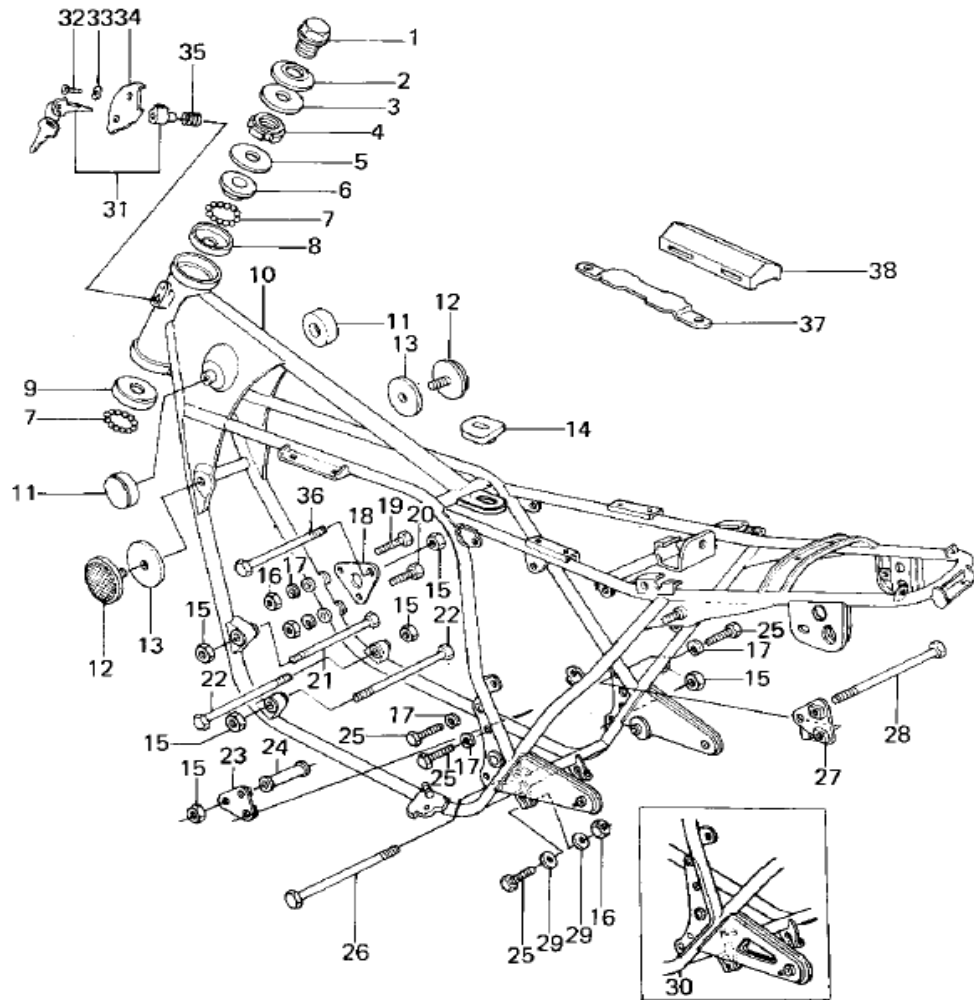


- 1 34028-011 BAR-FOOTREST,L.H 1 KZ650-B1/B2/B2A
- 2 92022-250 WASHER,PLAIN 2
- 3 92043-080 PIN-FOOTREST BAR FIT 2
- 4 34003-063 BRACKET FTR.BAR,L.H. 1 KZ650-B1/B2/B2A
- 5 113G1240 BOLT HEX HEAD 12X40 2 KZ650-B1/B2/B2A
- 6 461F1200 WASHER SPRING 12MM 2 KZ650-B1/B2/B2A
- 7 550D2516 PIN COTTER 2.5X16 2
- 8 34003-064 BRACKET,FTR BAR,R.H. 1 KZ650-B1/B2/B2A
- 9 34028-012 BAR-FOOTREST,R.H 1 KZ650-B1/B2/B2A
- 10 34028-1007 STEP,FOOTREST,FRONT,L 1 KZ650-B3
- 11 34003-1012 HOLDER,STEP,L.H. 1 KZ650-B3

12 92019-013 NUT,CAP AND LOCK,8MM 4 KZ650-B3  
13 92102-010 CAP,FOOTRESTBAR 4 KZ650-B3  
14 92004-048 STUD,FOOTREST BAR FIT 4 KZ650-B3  
15 92075-293 DAMPER RUBBER,FOOTRES 4 KZ650-B3  
16 315B1000 NUT 10MM 4 KZ650-B3  
17 34003-1015 HOLDER,STEP,R.H. 1 KZ650-B3  
18 34028-1008 STEP,FOOTREST,FRONT,R 1 KZ650-B3  
19 92076-027 RUBBER,FOOTREST 2 KZ650-B1/B2/B2A  
20 92022-199 WASHER-PLAIN (OPT) 2 KZ650-B1/B2/B2A  
21 92003-213 BOLT,HEX HEAD,10X40 2  
22 34036-002 BRACKET,REAR FOOTREST 2  
23 92043-1464 PIN 2  
24 550D2012 PIN,COTTER,2.0X12 2  
25 92019-021 NUT,LOCK,10MM 2 KZ650-B1/B2/B2A (KZ650-B3)  
26 34028-1009 STEP,FOOTREST,REAR,LH 1 KZ650-B3  
27 92022-181 WASHER-PLAIN 2 KZ650-B3  
28 34028-1010 STEP,FOOTREST,REAR,RH 1 KZ650-B3



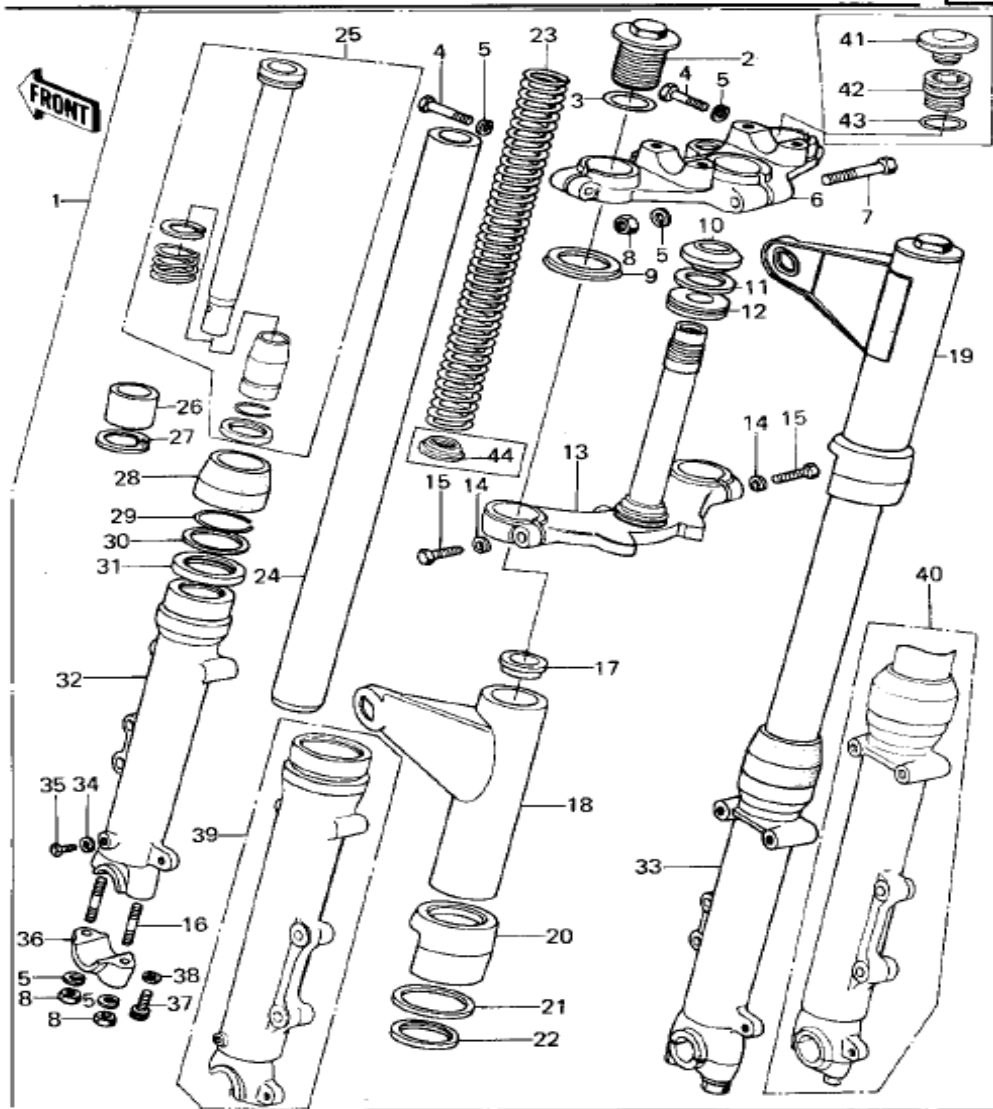
FRONT



1 92007-031 BOLT,STEERG STEM HEAD 1  
2 92022-230 WASHER,STEERG STM HD 1  
3 46100-003 WASHER,WAVE 1  
4 92090-007 NUT STEERING STEM LCK 1  
5 46098-016 CAP, STEERING STEM 1  
6 92047-011 CONE,STRNG STM BRNG 1  
7 600A0800 BALL STEEL 1/4' 39  
8 92048-006 RACE STRNG STEM BERNG 1  
9 92048-008 RACE,STRNG STM BRNG 1  
10 32002-155 FRAME 1 KZ650-B1/B2/B2A  
11 92075-101 DAMPER RUBBER-FL TANK 2  
12 28012-016 REFLECTOR,REFLEX 2  
13 92094-011 DAMPER RUBBER,REFLECT 2  
14 92075-295 DAMPER RUBBER FUEL TA 1  
15 92019-021 NUT,LOCK,10MM 6  
16 311B0800 NUT,8MM 4  
17 461F0800 WASHER SPRING 8MM 6  
18 32030-063 PLATE,FRONT ENG.MOUNT 1  
19 92001-1397 BOLT-8X63 1  
20 110G0859 BOLT,HEX HEAD,8X59 1  
21 92001-1049 BOLT,HEX HEAD,10X72 1  
22 92001-1048 BOLT,HEX HEAD,10X84 2  
23 32030-064 PLATE,RR ENG MONT,L.H 1  
24 92027-275 COLLAR,L=54MM. 1  
25 92001-1578 BOLT 6  
26 92091-032 BOLT,HEX HEAD,10X219 1  
27 32030-065 PLATE,RR ENG MONT,R.H 1  
28 92091-023 BOLT,ENGINE MOUNTING 1  
29 410B0800 WASHER PLAIN 8MM 4  
30 32002-1049 FRAME 1 KZ650-B3  
31 27016-5009 LOCK-ASSY,STEERING 1 KZ650-B1/B2/B2A  
31 27016-5009 LOCK-ASSY,STEERING 1 KZ650-B3  
32 92008-007 SCREW-TAPPING 1  
33 92097-003 WASHER 1  
34 11012-1134 CAP,STEERING LOCK 1  
35 27032-001 SPRING-STEERING LOCK 1  
36 92001-1050 BOLT,HEX HEAD,10X46 2  
37 11034-1125 BRACKET,IGNITION COIL 2  
38 92075-1033 DAMPER,IGNITION COIL 2

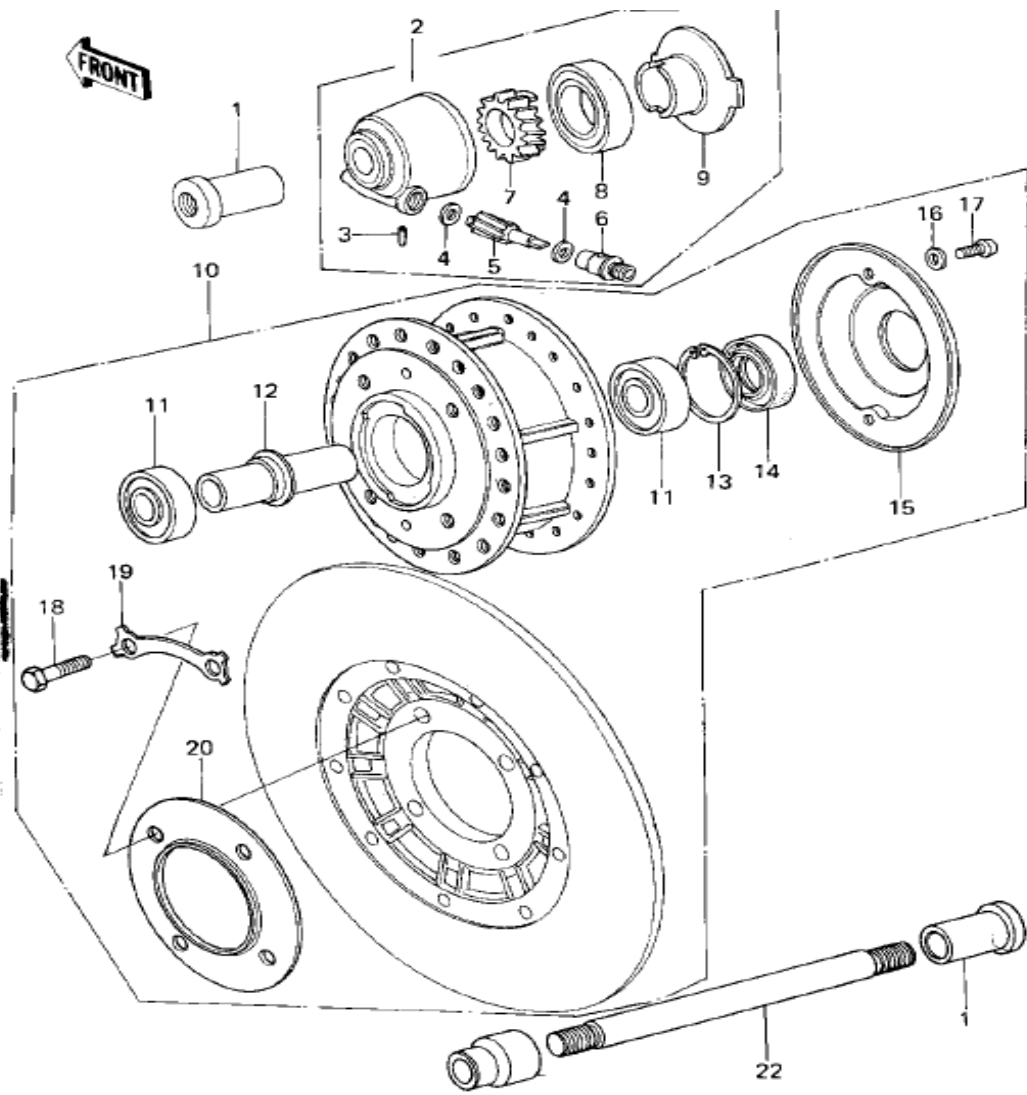


1 43041-030 CALIPER ASSY,FRONT 1 KZ650-B1  
1 43041-1006 CALIPER ASSY,FRONT 1 KZ650-B2~  
2 43040-004 SPACER 1  
3 43050-5001 PAD SET,(FRONT) 1  
4 43088-002 PLUG 2  
5 43052-005 DUST SHILD,SHAFT 4  
6 43053-006 "O" RING 4  
7 43054-003 DUST SEALD,RUBBER 1  
8 43048-009 PISTON,FRONT CALIPER 1  
9 43049-002 RING,PISTON SEAL 1  
10 220B0612 SCREW PAN HEAD 6X12 1  
11 461F0600 WASHER SPRING 6MM 1  
12 315B1000 NUT 10MM 2  
13 43085-001 BLEEDER SET 1  
14 43045-006 BOLT 2  
15 410B1000 WASHER PLAIN 10MM 2  
16 461F1000 WASHER SPRING 10MM 2  
17 92007-032 BOLT 2  
18 41080-005 DISC PLATE,FRONT 1



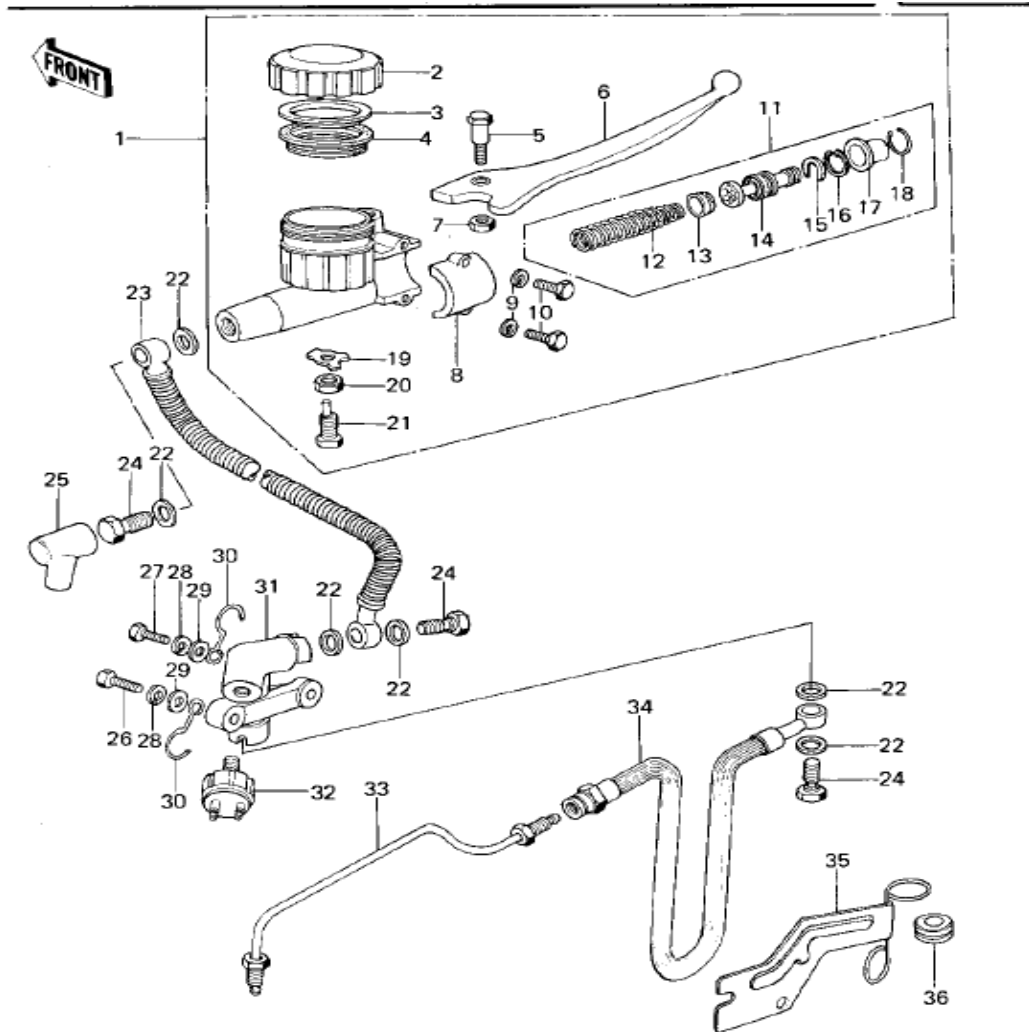
- 1 44001-196 FRONT FORK ASSY 1 KZ650-B1
- 1 44001-1023 FORK-FRONT 1 KZ650-B2~
- 2 44062-010 BOLT,FORK TOP 2 KZ650-B1
- 3 44046-015 'O' RING FORK TOP 2 KZ650-B1
- 4 44041-045 BOLT-HEX HEAD.8M/M 2
- 5 461F0800 WASHER SPRING 8MM 7

6 44039-076 HEAD,STEERING STEM 1  
7 44041-042 BOLT-STEERING STEM HD 1  
8 92017-013 NUT,LOCK,8MM 5  
9 44064-005 WASHER,FORK COVER 2  
10 92047-012 CONE,STEERING STEM 1  
11 92022-231 WASHER,PLAIN 1  
12 92056-003 OIL SEAL,STEERING STM 1  
13 44037-107 STEM,STEERING 1  
14 461F1200 WASHER SPRING 12MM 2  
15 92003-064 BOLT-HEX HEAD,12X36 2  
16 92004-1009 STUD,8X35 4  
17 44028-043 GUIDE,FORK SPRING 2 KZ650-B1  
18 44033-1017 COVER,L.H.-FORK 1  
19 44033-1018 COVER,R.H,FORK 1  
20 44064-025 GUIDE,FORK COVER 2  
21 44064-008 WASHER,FORK COU GUID 2  
22 44045-038 GASKET,FORK COVER 2  
23 44026-078 SPRING,FORK 2 KZ650-B1  
23 44026-1006 SPRING,FORK 2 KZ650-B2~  
24 44013-062 TUBE,FORK INNER 2 KZ650-B1  
24 44013-1005 TUBE,FORK INNER 2 KZ650-B2~  
25 44022-040 CYLINDER-FORK 2 KZ650-B1  
25 44022-1004 CYLINDER-FORK 2 KZ650-B2~  
26 44018-009 PISTON,FORK 2 KZ650-B1  
27 44044-019 CIRCLIP,FORK PISTON 2 KZ650-B1  
28 44010-032 DUST SHEILD,FORK 2  
29 44044-012 CIRCLIP-OIL SEAL FIT 2  
30 44043-044 WASHER-OIL SEAL FIT 2  
31 92049-1216 SEAL-OIL,FORK OUTER P 2  
32 44005-065 TUBE,LH,FORK OUTER 1 KZ650-B1  
33 44006-063 TUBE,RH,FORK OUTER 1 KZ650-B1  
34 44045-002 GASKET FORK DRAIN PLG 2  
35 220B0408 SCREW PAN HEAD 4X8 2  
36 44063-014 HOLDER,FRONT AXLE 2  
37 44041-040 BOLT-FORK CYLINDER 2  
38 44045-057 GASKET,FORK CYLINDER 2  
39 44005-1031 TUBE,LH,FORK OUTER 1 KZ650-B2~  
40 44006-1031 TUBE,RH,FORK OUTER 1 KZ650-B2~  
41 11012-1017 CAP,RUBBER 2 KZ650-B2~  
42 44029-1046 SEAT-FORK SPRING 2 KZ650-B2~  
43 92055-1012 "O" RING,FORK TOP 2 KZ650-B2~  
44 44028-1001 GUIDE,FORK SPRING 2 KZ650-B2~



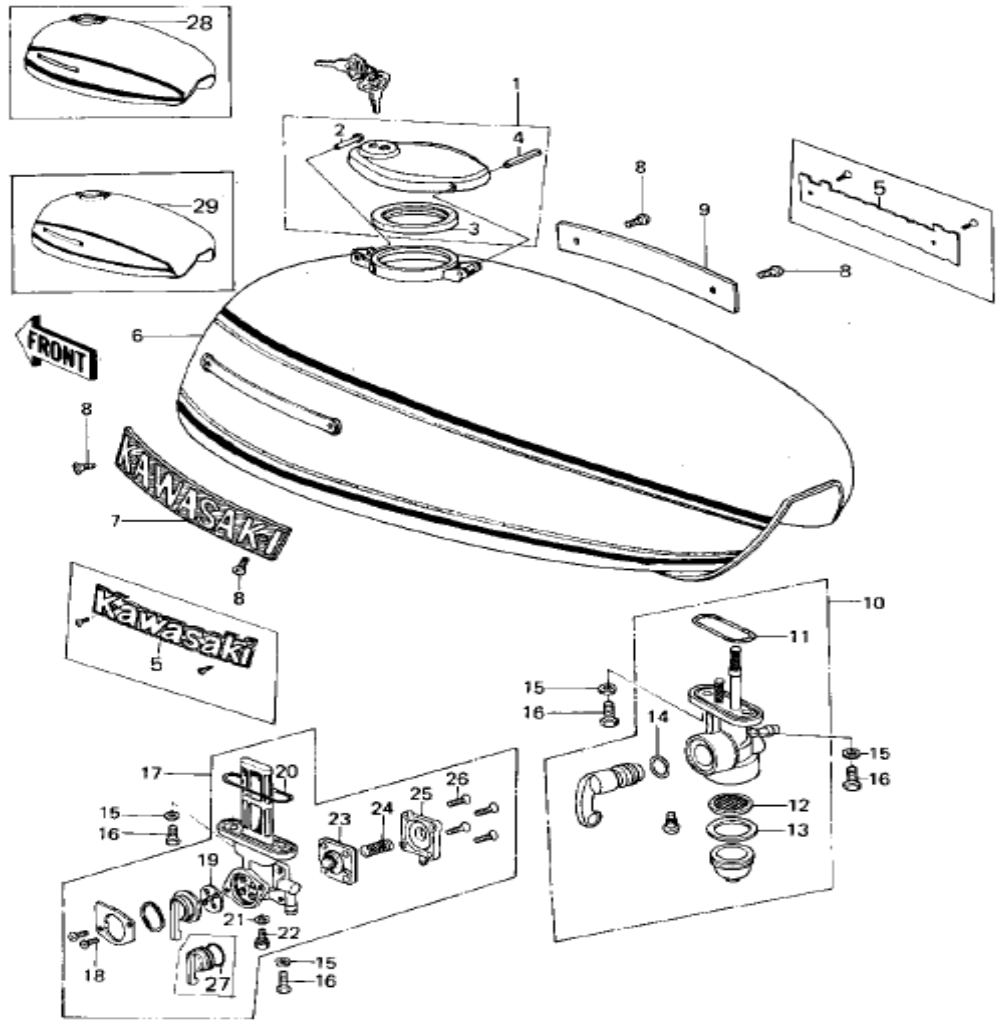
1 41069-033 COLLAR,FRONT AXLE 2  
2 41078-008 GEAR BOX ASSY 1  
3 41082-001 PIN,SPRING 1  
4 41063-001 WASHER THRST SPD PINI 2  
5 41060-017 PINION,SPEEDOMETER 1  
6 41062-005 BUSH,SPEEDMETER CABLE 1  
7 41059-026 GEAR,SPEEDOMETER 1  
8 92049-1057 OIL SEAL,BJN30427-C3 1  
9 41064-013 RECEIVER,GEAR 1  
10 41034-041 DRUM-ASSY,FR BRK 1  
11 601B6203 BEARING BALL #6203 2  
12 41039-028 COLLAR,BRG 1  
13 92033-1040 RING, SNAP,43.5M/M 1  
14 654A254008 OIL SEAL 1  
15 41042-016 DUST COVER 1  
16 411B0500 WASHER PLAIN 5MM 2  
17 220B0512 SCREW PAN HEAD 5X12 2  
18 92001-158 BOLT 4  
19 92088-023 WASHER,LOCK 2  
20 41042-014 DUST COVER 1  
21 41069-032 COLLAR,FRONT AXLE 1  
22 41068-049 AXLE,FRONT 1



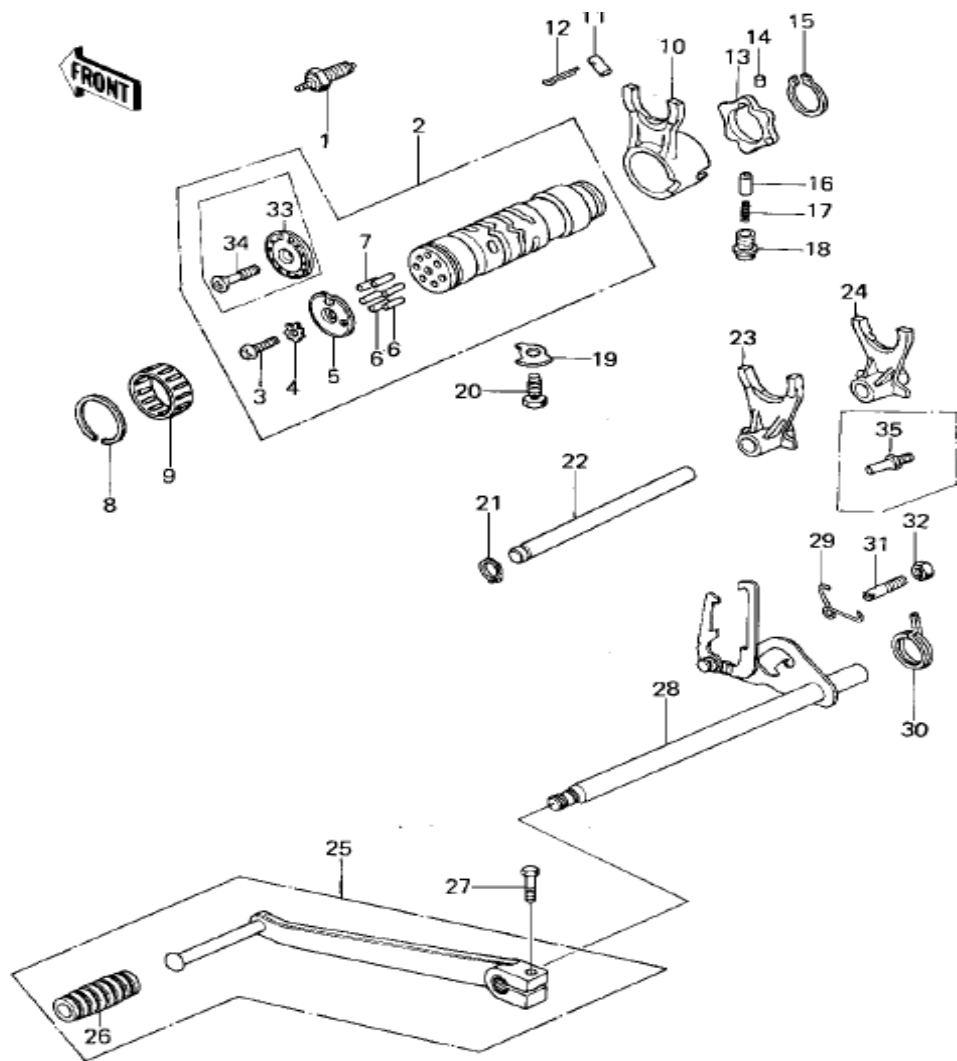


- 1 43015-032 CYLINDER ASSY,MASTER 1
- 2 43026-003 CAP,OIL CUP 1
- 3 43027-001 PLATE-MASTER CYLINDER 1
- 4 43028-001 DIAPHRAGM 1
- 5 43033-004 BOLT 1
- 6 43029-003 LEVER,FRONT BRAKE 1
- 7 312B0600 NUT 6MM 1
- 8 43034-001 HOLDER-MASTER CYL 1
- 9 411B0600 WASHER PLAIN 6MM 2
- 10 110N0625 BOLT HEX HEAD 6X25 2
- 11 43073-001 REPAIR SET-MASTER CYL 1
- 12 43018-001 SPRING ASSY-RETURN 1
- 13 43019-001 CUP-PRIMARY 1
- 14 43072-001 PISTON ASSY 1

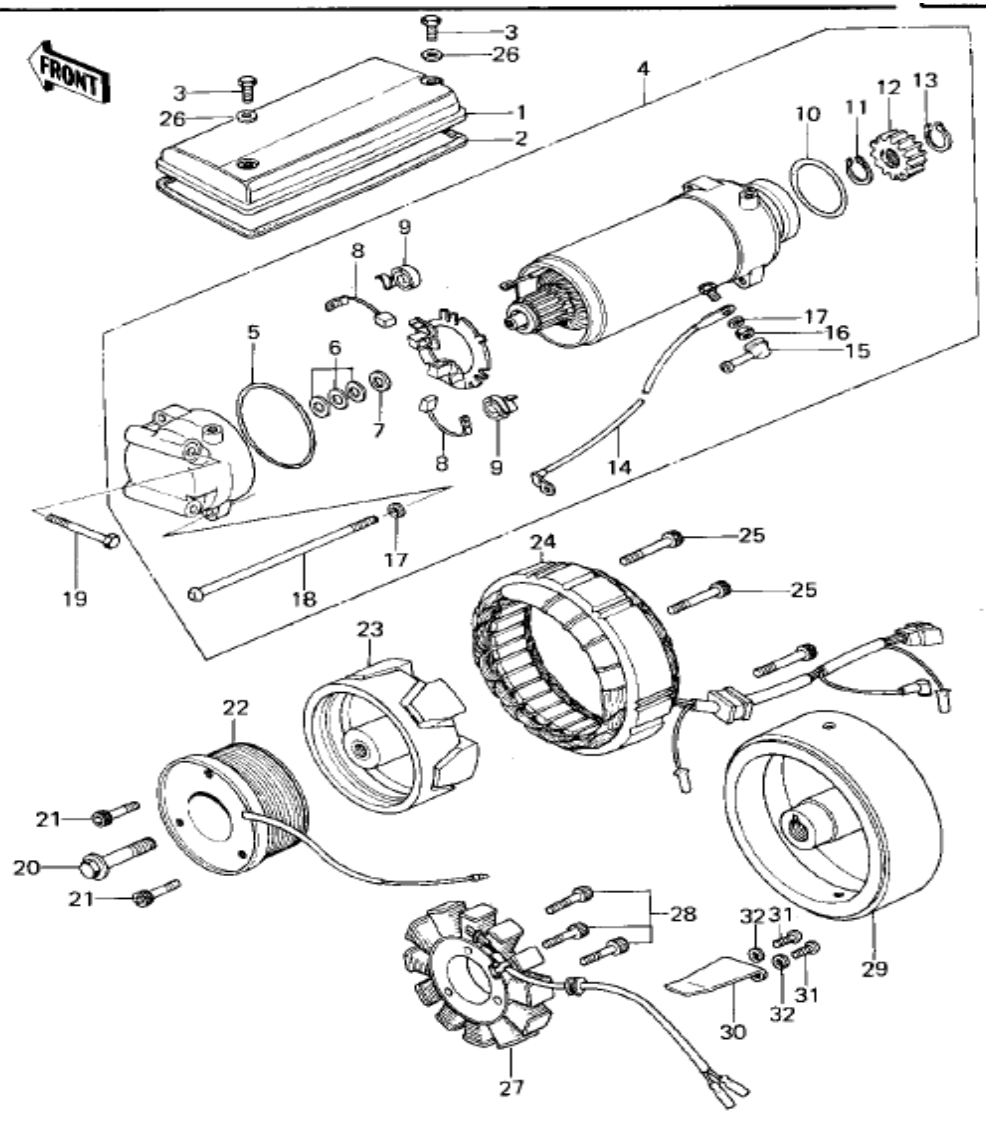
15 43022-001 STOPPER-PISTON 1  
16 481J1800 CIRCLIP,18MM 1  
17 43024-001 BOOTS 1  
18 43025-001 STOPPER-BOOTS 1  
19 43031-001 WASHER-LOCK,8MM 1  
20 311B0800 NUT,8MM 1  
21 43030-003 BOLT,LEVER ADJUSTING 1  
22 43067-001 WASHER-OIL BOLT 6  
23 43059-032 HOSE,M/C BRAKE 1 L=360 M/M  
24 92002-1888 BOLT,OIL,L=23 3  
25 49006-1041 BOOT,DUST 1  
26 110N0632 BOLT-HEX HEAD,6X32 1  
27 110N0622 BOLT, HEX HEAD 6X22 1  
28 461F0600 WASHER SPRING 6MM 2  
29 411B0600 WASHER PLAIN 6MM 2  
30 92037-092 CLAMP,CABLE 2  
31 43061-002 JOINT,THREE WAY 1  
32 43065-001 SWITCH-FRONT BRAKE 1  
33 43060-021 PIPE,BRIDGE 1  
34 43059-1262 HOSE-BRAKE,L=350 1  
35 43063-001 BRACKET-BRAKE HOSE 1  
36 43064-001 GROMMET-HOSE BRACKET 1



1 51048-012 CAP,FUEL TANK 1  
2 92043-126 PIN,HOOK 1  
3 51059-008 GASKET-FUEL TANK CAP 1  
4 92043-127 PIN,CAP HINGE 1  
5 56014-1037 EMBLEM,FUEL TANK 2 KZ650-B3 ~  
6 51001-5032-3R TANK-FUEL,C.SUPER RED 1 KZ650-B1  
6 51001-5032-4U TANK-FUEL,C.EME GREEN 1 KZ650-B1  
7 56013-058 EMBLEM,FUEL TANK,L.H. 1 KZ650-B1/-B2/-B2A  
8 221C0306 SCREW-CSK-CROS 4  
9 56014-065 EMBLEM,FUEL TANK,R.H. 1 KZ650-B1/-B2/-B2A  
10 51023-057 COCK ASSY,FUEL 1 KZ650-B1  
11 51039-010 "O" RING 1 KZ650-B1  
12 51038-007 STRAINER FUEL 1 KZ650-B1  
13 51037-010 GASKET FUEL COCK CUP 1 KZ650-B1  
14 670B2010 "O" RING, 10MM 1 KZ650-B1  
15 92022-183 WASHER-PLAIN 2  
16 92001-1091 BOLT,6X20,FUEL TAP 2  
17 51023-1023 TAP ASSY,FUEL 1 KZ605-B2 ~  
18 220B0308 SCREW PAN HEAD 3X8 2 KZ605-B2 ~  
19 11009-1194 GASKET,TAP VALVE 1 KZ605-B2 ~  
20 51039-010 "O" RING 1 KZ605-B2 ~  
21 11009-1045 GASKET,DRAIN BOLT 1 KZ605-B2 ~  
22 92001-1089 BOLT,DRAIN 1 KZ605-B2 ~  
23 43028-1004 DIAPHRAGM ASSY,TAP 1 KZ605-B2 ~  
23 43028-1015 DIAPHRAGM ASSY,TAP 1 KZ605-B2 ~ (FOR 51023-1023)  
24 92081-1055 SPRING,TAP 1 KZ605-B2 ~  
24 92081-1711 UNAVAILABLE IN PRICE BOOK 1 KZ605-B2 ~ (FOR 51023-1023)  
25 16146-1005 COVER ASSY,TAP 1 KZ605-B2 ~  
26 221B0412A SCREW CNTSNK HD 4X12 4 KZ605-B2 ~  
27 92055-1027 "O" RING,TAP LEVER 1 FOR 51023-1013/-1023  
28 51001-5032-7Z TANK-FUEL,L.DK BLUE 1 KZ650-B2/B2A  
28 51001-5032-A1 TANK-FUEL,L.BURNT RED 1 KZ650-B2/B2A  
28 51001-115-8G TANK-FUEL,EBONY 1 KZ650-B2/B2A  
29 51001-1016-A5 TANK-FUEL,C.P.RED 1 KZ650-B3  
29 51001-1016-4U TANK-FUEL,C.E.GREEN 1 KZ650-B3  
29 51001-1016-8G TANK-FUEL,EBONY 1 KZ650-B3  
30 670B1504 "O" RING,4MM 1 FOR 51023-1023

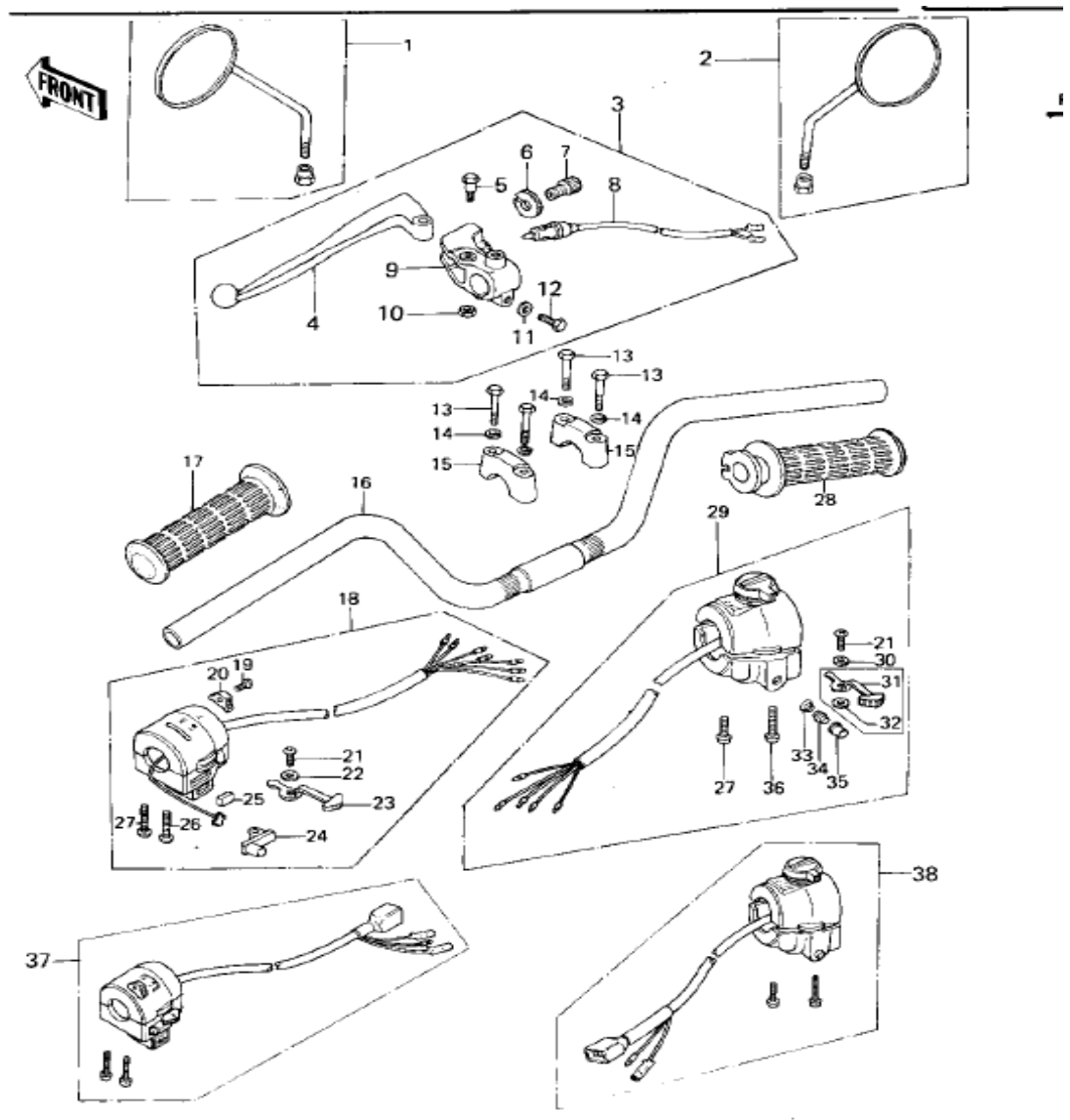


1 13151-5002 SWITCH,NEUTRAL 1  
2 13239-1005 DRUM ASSY,SHIFT 1 E/NO.000101~045147  
2 13239-1005 DRUM ASSY,SHIFT 1  
2 13239-1069 DRUM-ASSY-CHANGE 1 E/NO.046001~078381  
2 13239-1069 DRUM-ASSY-CHANGE 1 E/NO.078382~  
3 220B0614 SCREW PAN HEAD 6X14 1 USE FOR 13239-025/-1005/-1008  
4 464G0600 WASHER LOCK 6MM 1 USE FOR 13239-025/-1005/-1008  
5 13142-020 PLATE,SHIFT DRUM PIN 1 USE FOR 13239-025/-1005/-1008  
6 92042-030 PIN,GEAR CHNGE DRUM 5  
7 92042-014 PIN GEAR CHANGE DRUM 1  
8 92033-035 CIRCLIP,37MM 1  
9 92046-051 BRG,NEDL,37BTM4312 1  
10 13140-1009 SHIFT FORK,4TH & TOP 1 KZ650-B1  
10 13140-1009 SHIFT FORK,4TH & TOP 1 KZ650-B2~  
11 92042-021 DOWEL PIN,8X18 1  
12 550D3020 PIN COTTER 3.0X20 1  
13 13145-1058 CAM-CHANGE DRUM 1  
14 610A0406 PIN-DOWEL,4X6 1  
15 480J3000 CIRCLIP,30MM 1  
16 92043-076 PIN-NEUTRAL POSITION 1  
17 92081-112 SPRING 1  
18 92001-131 BOLT,10MM 1  
19 92024-074 WASHER,LOCK,10MM 1  
20 92001-174 BOLT,HEX HEAD,10X26 1  
21 480J1200 CIRCLIP 12MM 1  
22 49047-5003 ROD-SHIFT 1  
23 13140-1008 SHIFT FORK,LOW,2&3RD 1 KZ650-B1  
23 13140-1008 SHIFT FORK,LOW,2&3RD 1 KZ650-B2~  
24 13140-069 SHIFT FORK,LOW 1 KZ650-B1  
24 13140-1008 SHIFT FORK,LOW,2&3RD 1 KZ650-B2~  
25 13242-022 PEDAL ASSY,GEAR SHIFT 1  
26 92160-1036 DAMPER,CHANGE PEDAL 1  
27 112G0620 BOLT-UPSET,6X20 1  
28 13161-042 LEVER ASSY,GEAR SFT 1  
29 92083-018 SPRING,KICK PAWL 1  
30 92083-028 SPRING,CHG PEDL RTRN 1  
31 92043-057 PIN CHANGE PEDAL SPRG 1 KZ650-B1/B2/B2A  
32 312B0800 NUT 8MM 1 KZ650-B1/B2/B2A  
33 13091-1104 HOLDER,CHANGE DRUM PI 1 USE FOR 13239-1019  
34 221B0620 SCREW CNTSNK HD 6X20 1 USE FOR 13239-1019  
35 92001-1401 BOLT,RETURN SPRING 1 KZ650-B3



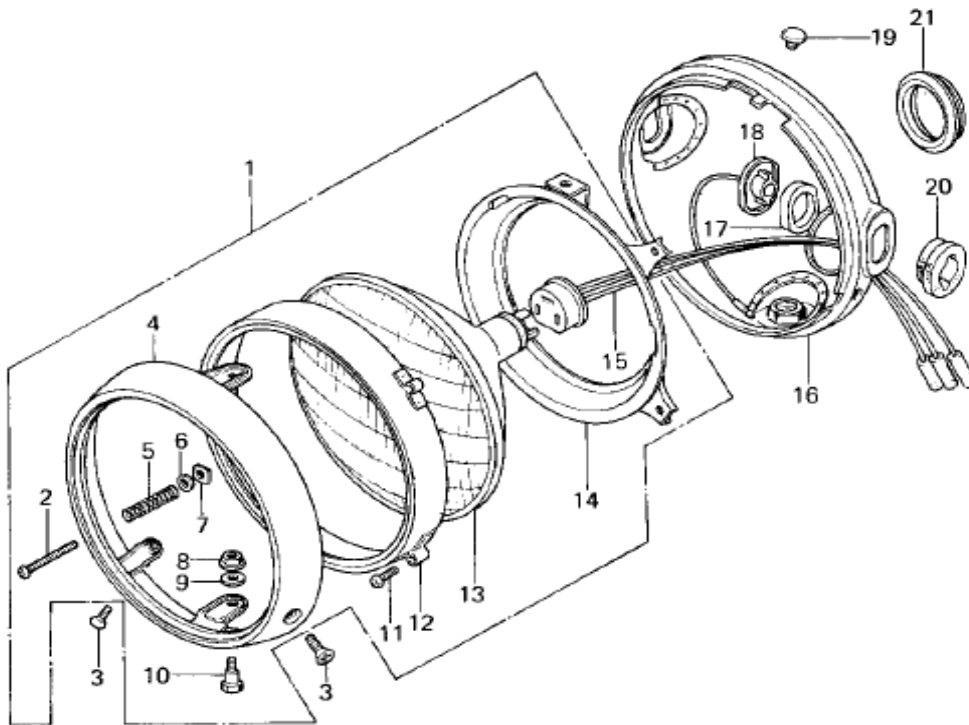
1 21165-003 COVER,STARTER 1  
2 21166-003 GASKET,STARTER COVER 1  
3 110R0610 BOLT (6X10) 2  
4 21163-1022 STARTER-ELECTRIC 1  
5 21027-006 "0" RING,62MM 1  
6 21025-011 WASHER,THRUST,0.2T AR  
7 21025-010 WASHER,THRUST,1.6T 1  
8 21039-003 CARBON BRUSH 2  
9 21040-003 SPRING,CARBON BRUSH 2  
10 21027-008 "0" RING,40M/M 1  
11 92033-034 CIRCLIP 1  
12 21053-004 PINION,STARTER 1  
13 92033-037 CIRCLIP,13M/M 1  
14 26011-1099 WIRE-LEAD,STARTER 1  
15 21017-020 CAP,STARTING MOTOR 1  
16 312B0600 NUT 6MM 2  
17 461F0600 WASHER SPRING 6MM 4  
18 21099-006 SCREW,PAN HEAD,6X130 2  
19 112G0660 BOLT-UPSET 2  
20 92001-1201 BOLT,10X40 1  
21 120P0618 BOLT,ALLEN,6X18 3 KZ650-B1  
22 21077-005 COIL,FIELD 1 KZ650-B1  
23 21007-033 ROTOR 1 KZ650-B1  
24 21076-024 YOKE ASSY 1 KZ650-B1  
25 120Q0632 BOLT,ALLEN,6X32 3 KZ650-B1  
26 410D0600 WASHER,PLAIN,6MM 2  
27 21003-1005 STATOR 1 KZ650-B2~  
28 120P0530 BOLT-SOCKET,5X30 3 KZ650-B2~  
29 21050-1003 FLYWHEEL 1 KZ650-B2~  
30 92037-1122 CLAMP,GENERATOR WIRE 1 KZ650-B2~  
31 220B0512 SCREW PAN HEAD 5X12 2 KZ650-B2~  
32 461F0500 WASHER SPRING 5MM 2 KZ650-B2~





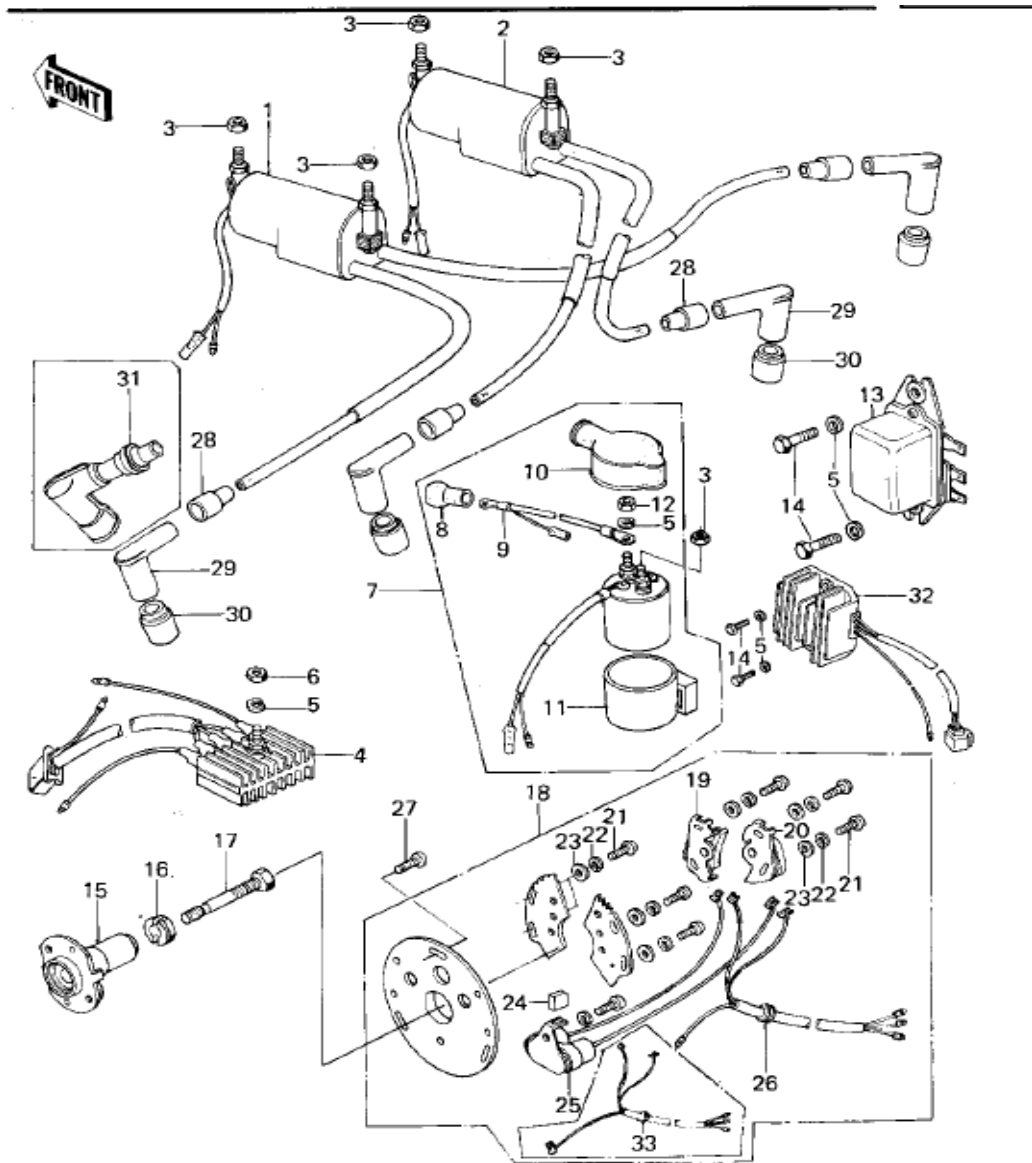
- 1 56003-019 REAR VIEW MIRROR,L.H 1
- 2 56002-029 REAR VIEW MIRROR,R.H 1
- 3 46076-054 LEVER ASSY,CLUTCH 1
- 4 46092-023 LEVER,CLUTCH 1
- 5 92007-047 BOLT,HEX HEAD 1
- 6 46056-007 NUT,CABLE ADJUST NUT 1
- 7 46055-003 SCREW CABLE ADJUST 1
- 8 27043-002 SWITCH,CLUTCH 1

9 46094-019 HOLDER,CLUTCH LEVER 1  
10 92017-014 NUT,LOCK 6MM 1  
11 410B0600 WASHER PLAIN 6MM 1  
12 110N0625 BOLT HEX HEAD 6X25 1  
13 92001-1405 BOLT 8X38 4  
14 461F0800 WASHER SPRING 8MM 4  
15 46012-008 HOLDER-HANDLEBAR 2  
16 46003-038 HANDLEBAR 1 KZ650-B1/B2/B2A  
16 46003-1026 HANDLEBAR 1 KZ650-B3  
17 46075-028 RUBBER,L.H GRIP 1  
18 46091-054 CASE ASSY,L.H. 1 KZ650-B1  
18 46091-055 CASE ASSY,L.H 1 KZ650-B2/B2A  
19 221B0308A SCREW CNTSNK HD 3X8 1  
20 46044-013 KNOB,LIGHTING SW L.H 1  
21 220B0305A SCREW PAN HEAD 3X5 2  
22 92095-010 WASHER 1  
23 46043-005 KNOB,LIGHTING SW L.H 1  
24 46028-007 BUTTON,HORN SWITCH 1  
25 92012-019 UNAVAILABLE IN PRICE BOOK 1 USE FOR 46091-054  
26 220B0535 SCREW-PAN-CROS 1  
27 220B0530 SCREW PAN HEAD 5X30 2  
28 46019-038 GRIP ASSY,THROTTLE 1  
29 46091-1031 HOUSING ASSY,R.H. CON 1 KZ650-B1/B2  
29 46091-1031 HOUSING ASSY,R.H. CON 1  
29 46091-1038 HOUSING ASSY,R.H. 1 KZ650-B2A  
29 46091-1038 HOUSING ASSY,R.H. 1 KZ650-B1/B2  
30 410B0300 WASHER PLAIN 3MM 1  
31 46043-004 KNOB,LIGHTING SW R.H 1 USE FOR 46132-031 & 46091-1031  
32 92095-014 WASHER,PLAIN 1 USE FOR 46132-031 & 46091-1031  
33 27010-1009 SWITCH ASSY,HORN BUTN 1  
34 27010-1009 SWITCH ASSY,HORN BUTN 1  
35 27010-1009 SWITCH ASSY,HORN BUTN 1  
36 220B0540 SCREW-PAN-CROS 1  
37 46091-1048 HOUSING ASSY,CONT,L.H 1 KZ650-B3  
38 46091-1047 HOUSING ASSY,CONT,R.H 1 KZ650-B3

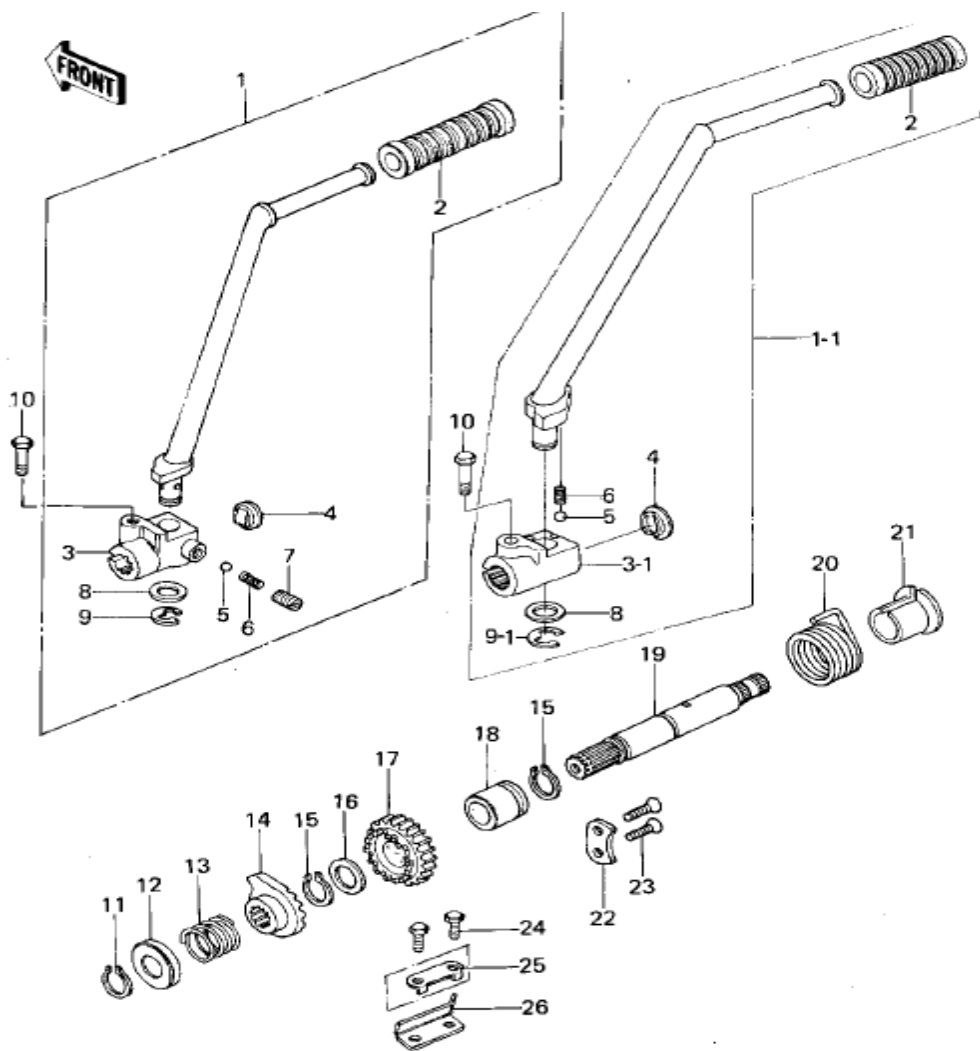


- 1 23003-017 LAMP UNIT,HEAD 1
- 2 23019-021 SCREW FORCUS ADJUST 1
- 3 23019-022 SCREW,PAN HEAD,5X14 2
- 4 23006-038 RIM,HEAD LAMP 1
- 5 23014-005 SPRING FOCUS ADJUST 1
- 6 23021-004 WASHER 1
- 7 23020-018 NUT,4MM 1
- 8 23020-023 NUT,HEAD LAMP RIM FIT 2
- 9 23021-012 WASHER-PLAIN,5MM 2
- 10 23019-023 SCREW-PAN HEAD,5X12 2

- 11 220B0312 SCREW PAN HEAD 3X12 2
- 12 23072-001 RING,HEAD LAMP MOUNT 1
- 13 23007-041 SEALD BEAM UNIT 1
- 14 23074-001 RING,HEAD LAMP MOUNT 1
- 15 23008-037 SOCKET ASSY,HEAD LAMP 1
- 16 23005-1015-21 BODY-COMP-HEAD LAMP 1 FLAT BLACK
- 17 23066-016 DAMPER RUBBER 2
- 18 23076-005 COLLAR 2
- 19 92074-006 PLUG REAR FENDER RUBB 1
- 20 23066-015 DAMPER RUBBER 2
- 21 92071-1008 GROMMET 1 USE FOR 23005-1004-21

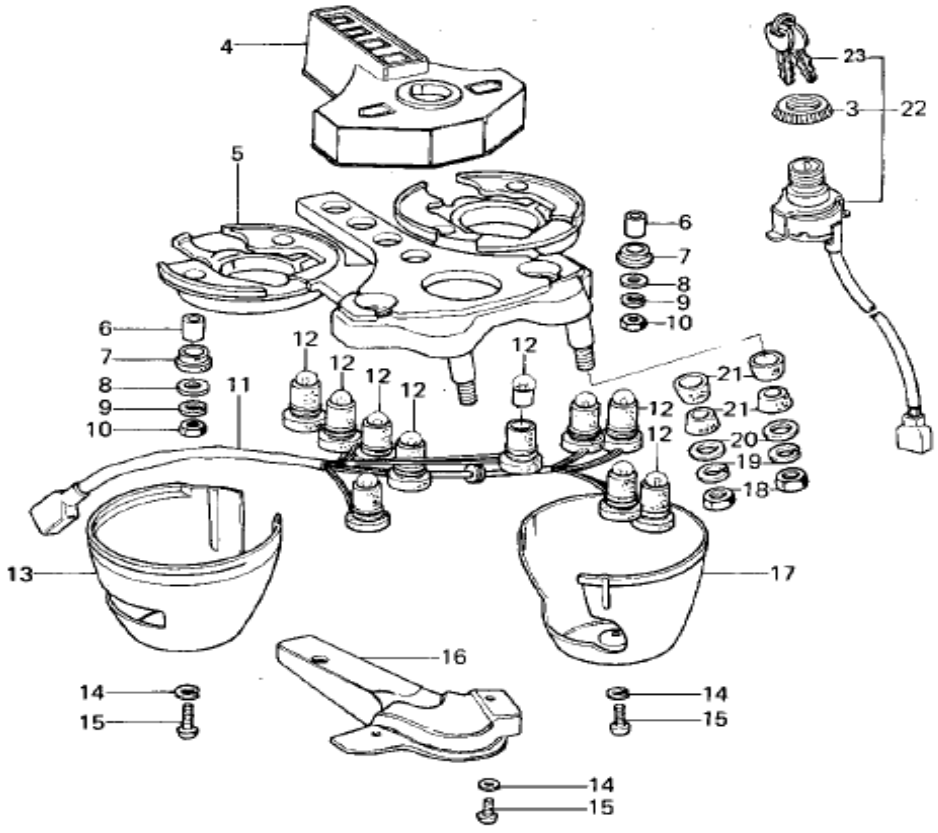
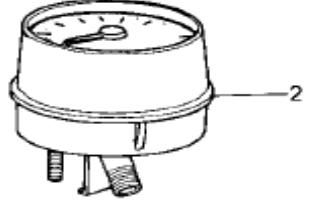
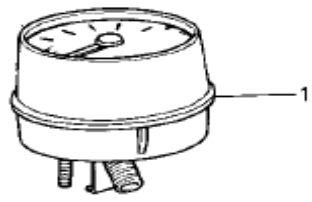


1 21121-1001 COIL,IGNITION,#1.4 1  
2 21121-1002 COIL,IGNITION,#2.3 1  
3 92017-014 NUT,LOCK 6MM 5  
4 21061-031 RECTIFIER 1 KZ650-B1 (KZ650-B2)  
5 461F0600 WASHER SPRING 6MM 4  
6 311B0600 NUT 6MM 1 KZ650-B1  
7 27010-1050 SWITCH,MAGNETIC 1  
8 21017-023 CAP,MAGNETIC SWITCH 1  
9 26011-1128 WIRE-LEAD,MAGNETIC SW 1  
10 21141-004 COVER MAGNETIC SWITCH 1  
11 21064-002 DAMPER MAG SWITCH SHK 1  
12 312B0600 NUT 6MM 1  
13 21066-018 REGULATOR 1 KZ650-B1  
14 112G0618 BOLT-UPSET 2 KZ650-B1  
14 112G0616 BOLT-UPSET,6X16 2 KZ650-B2~  
15 21148-011 ADVANCER,AUTMATC TMNG 1  
16 92022-244 WASHER,SPARK ADVANCER 1  
17 92001-1397 BOLT-8X63 1  
18 21008-1012 BREAKER ASSY,CONTACT 1 KZ650-B1/B2/B2A  
18 21008-1012 BREAKER ASSY,CONTACT 1 KZ650-B3  
19 21008-028 BREAKER,CONTACT 1  
20 21008-027 BREAKER,CONTACT 1  
21 220B0408 SCREW PAN HEAD 4X8 9  
22 461F0400 WASHER SPRING 4MM 9  
23 410B0400 WASHER PLAIN 4MM 9  
24 21019-005 FELT OIL 1  
25 21013-037 CONDENSER 1  
26 26001-1081 WIRING HARNESS,BREAKR 1 USE FOR 21135-012  
27 220B0512 SCREW PAN HEAD 5X12 3  
28 21132-005 GROMMET,SPARK PLG CAP 4  
29 21130-1007 CAP-SPARK PLUG,RTFM20 4  
30 21131-004 GROMMET-PLUG CAP,A 4  
31 21160-005 CAP,SPARK PLUG 4 USE FOR CANADIAN MARKET  
32 21066-029 REGULATOR 1 KZ650-B2~  
33 26001-1081 WIRING HARNESS,BREAKR 1 USE FOR 21008-1007



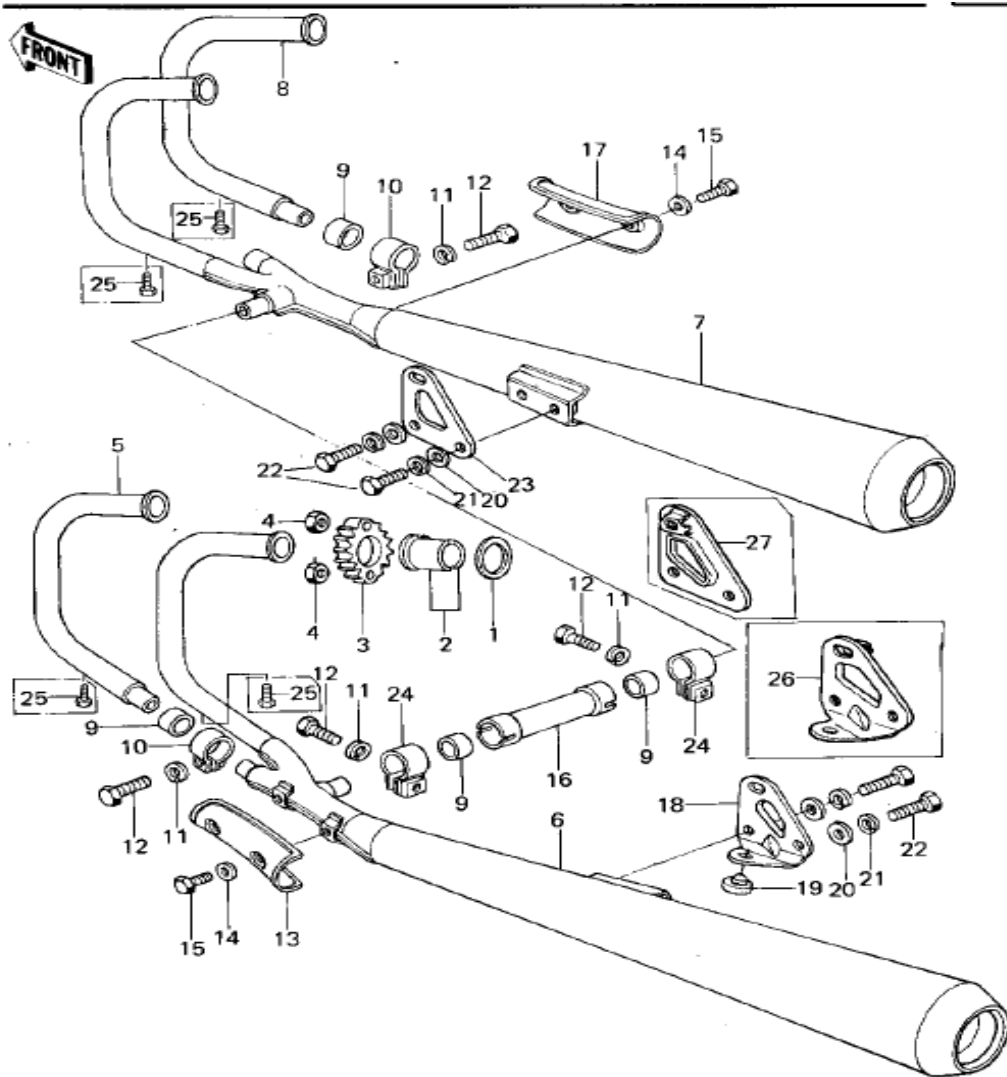
1 13064-1005 PEDAL ASSY,KICK 1  
1-1 13064-1005 PEDAL ASSY,KICK 1  
2 13063-004 RUBBER KICK PEDAL 1  
3 13061-1002 BOSS,KICK PEDAL 1 USE FOR 13064-1003  
3-1 13061-1008 BOSS,KICK 1 USE FOR 13064-1005  
4 92066-058 PLUG,A,KICKSTARTER 1  
5 600A0800 BALL STEEL 1/4' 1  
6 92081-154 SPRING 1  
7 92066-061 PLUG,B,KICKSTARTER 1 USE FOR 13064-1003  
8 92022-1019 WASHER,PLAIN 1  
9 482J0100 CIRCLIP 10MM 1 USE FOR 13064-1003  
9-1 482J0100 CIRCLIP 10MM 1 USE FOR 13064-1005  
10 115B0832 BOLT-SMALL-UPSET 1  
11 480J1900 CIRCLIP,19MM 1  
12 92102-008 CAP,KICKSTARTER 1  
13 92081-104 SPRING RATCHET 1  
14 13078-011 RATCHET,KICK SHAFT 1  
15 480J2000 CIRCLIP, 20MM 2  
16 92022-112 WASHER THRUST 1  
17 13068-035 GEAR,KICKSTARTER,20T 1  
18 92028-175 BUSHING,KICK SHAFT 1  
19 13066-045 SHAFT,KICKSTARTER 1  
20 92082-006 SPRING,KICK RETURN 1  
21 13070-009 GUIDE,KICK SPRING 1  
22 13169-007 PLATE-DRUM LEV POSTON 1  
23 221B0612 SCREW CNTSNK HD 6X12 2  
24 112G0614 BOLT-UPSET 2  
25 92024-075 WASHER,LOCK,6MM 1 KZ650-B1/B2  
26 13072-018 STOPPER,KICKSTARTER 1

FRONT

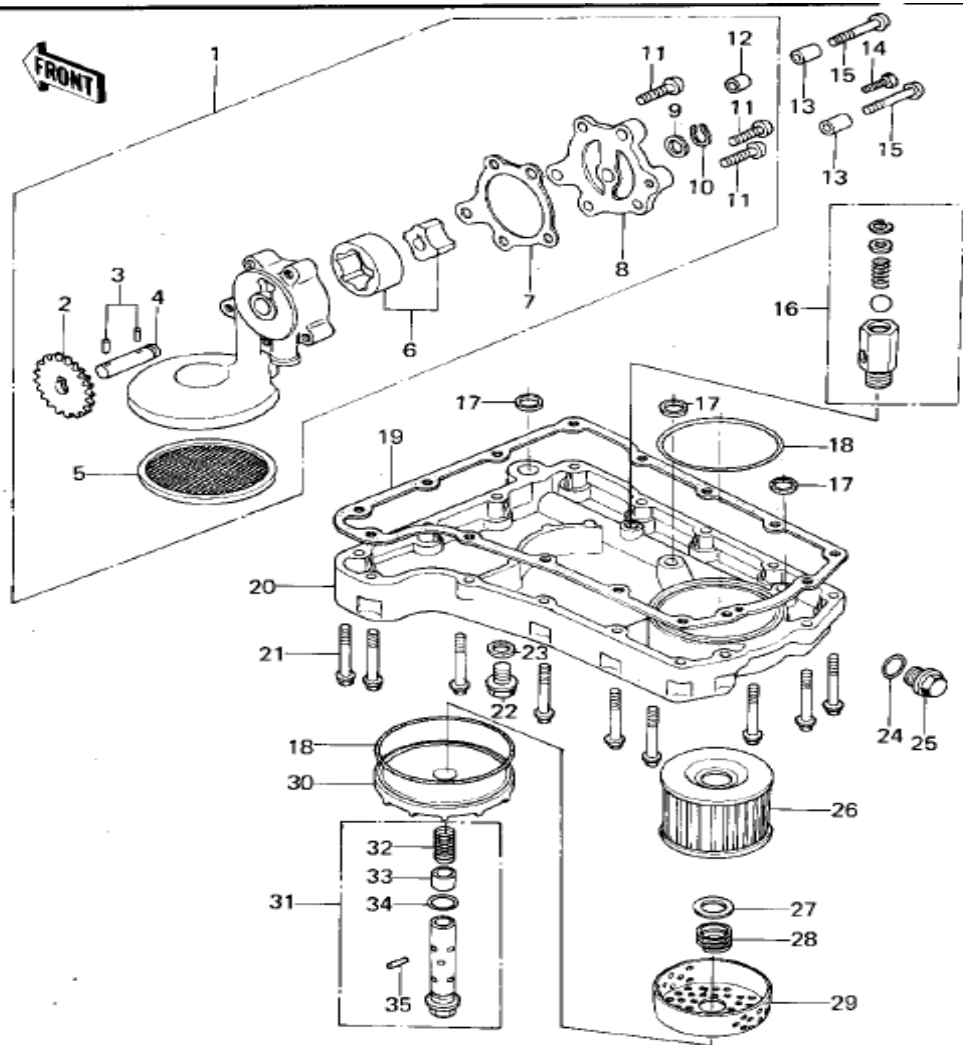




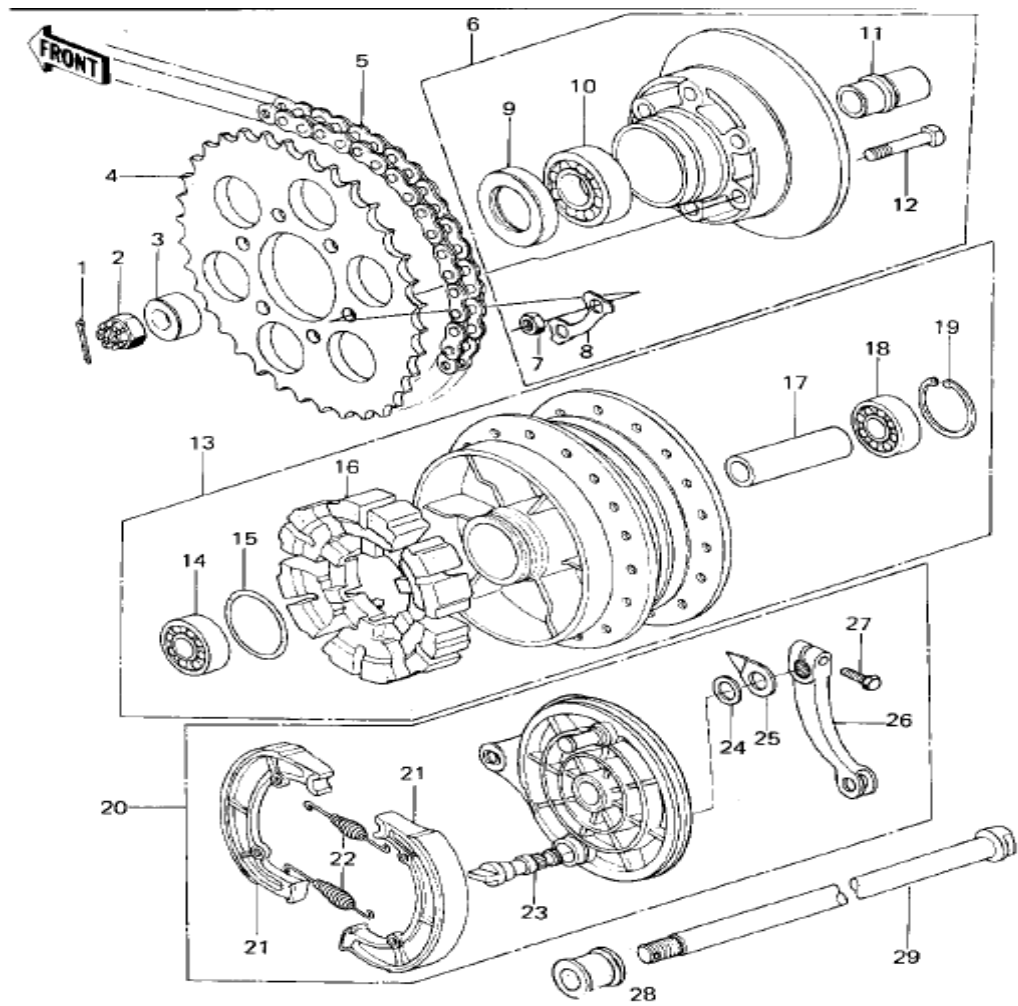
1 25006-052 SPEEDOMETER,MPH 1 KZ650-B1  
1 25005-1013 SPEEDOMETER ASSY,KPH (Canada) 1 KZ650-B2 ~  
1 25006-054 SPEEDO ASSY,KPH (Canada) 1 KZ650-B1  
1 25005-1037 SPEEDOMETER,MPH 1 KZ650-B2/B2A  
1 25005-1037 SPEEDOMETER,MPH 1 KZ650-B3  
2 25027-011 TACHOMETER 1 KZ650-B1  
2 25015-1011 TACHOMETER ASSY 1 KZ650-B2 ~  
3 27007-004 NUT,IGNITION SW LOCK 1  
4 25023-015 COVER,METER,INDICATER 1  
5 25008-045 BRACKET,METER 1  
6 92027-211 COLLAR,METER 4  
7 92075-172 RUBBER,METER 4  
8 92022-241 WASHER,PLAIN,5MM 4  
9 461F0500 WASHER SPRING 5MM 4  
10 312B0500 NUT 5MM 4  
11 25011-049 SOCKET,SPEEDOMETER 1  
12 25011-049 SOCKET,SPEEDOMETER 10  
13 25012-010 COVER,SPEEDOMETER 1  
14 461F0300 WASHER SPRING 3MM 5  
15 220B0308 SCREW PAN HEAD 3X8 5  
16 25024-006 COVER,METER BRACKET 1  
17 25012-011 COVER,TACHOMETER 1  
18 311B0800 NUT,8MM 2  
19 461F0800 WASHER SPRING 8MM 2  
20 411B0800 WASHER PLAIN 8MM 2  
21 92075-080 DAMPER RUBBER 4  
22 27005-083 SWITCH,IGNITION 1 KZ650-B1  
22 27005-5001 SWITCH ASSY,IGNITION 1 KZ650-B2/B2A  
22 27005-5007 SWITCH ASSY,IGNITION 1 KZ650-B3  
23 27008-068-01 KEY SET,#801 1  
23 27008-068-45 KEY SET,#845 1  
23 27008-1014 KEY,BLANK AR KZ650-B1/B2/B2A  
23 27008-1103 KEY-LOCK,BLANK AR KZ650-B3



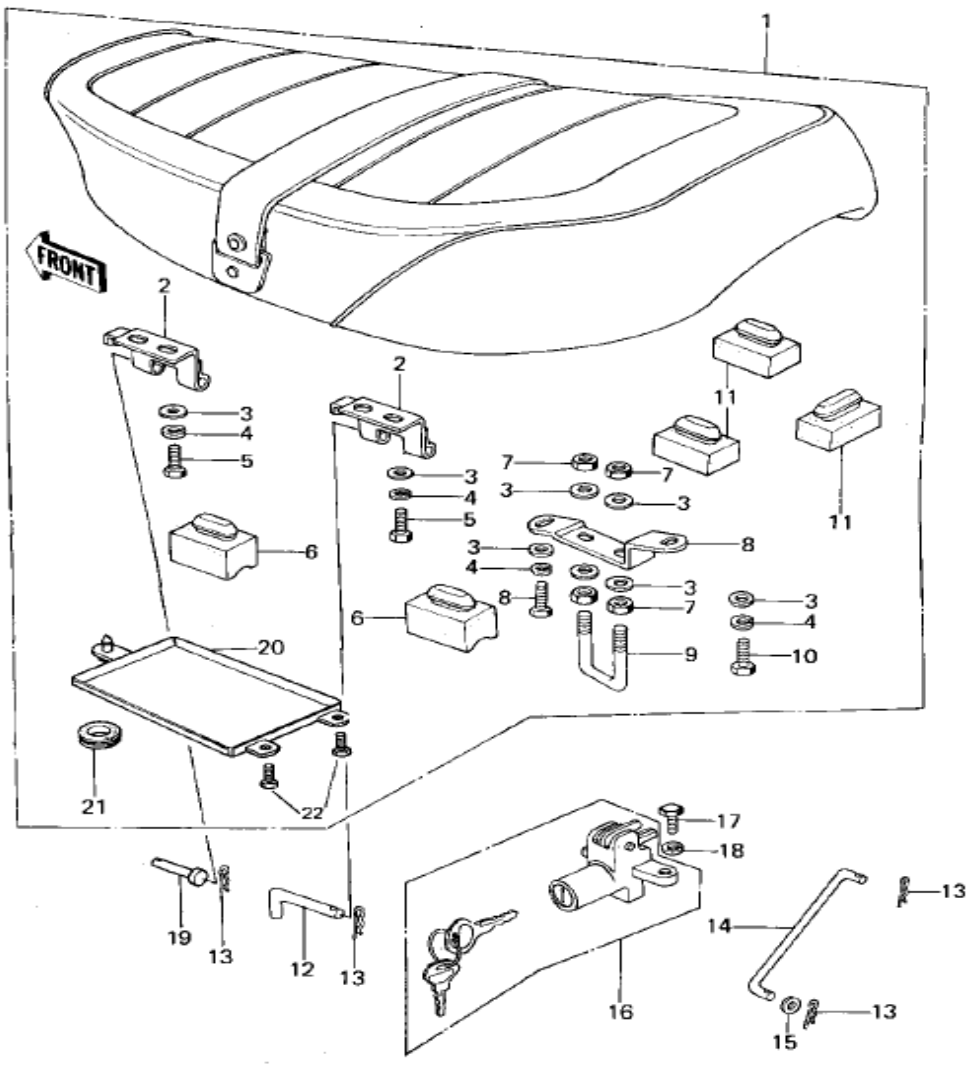
1 11009-1866 GASKET,EXHAUST PIPE H 4  
2 92027-264 COLLAR,EXHAUST PIPE 8  
3 18069-1006 HOLDER,EXHAUST PIPE 4  
4 92017-014 NUT,LOCK 6MM 8  
5 18049-1397 PIPE-EXHAUST,#4 1 KZ650-B1/B2  
5 18049-1397 PIPE-EXHAUST,#4 1 KZ650-B3  
5 18049-1013 PIPE,EXHAUST,#1 1 KZ650-B2A  
6 18001-1002 MUFFLER ASSY,L.H 1 KZ650-B1/B2  
6 18001-1002 MUFFLER ASSY,L.H 1  
6 18001-1002 MUFFLER ASSY,L.H 1 KZ650-B3  
6 18001-1002 MUFFLER ASSY,L.H 1 KZ650-B2A~  
7 18001-1003 MUFFLER ASSY,R.H 1 KZ650-B1/B2  
7 18001-1003 MUFFLER ASSY,R.H 1  
7 18001-1003 MUFFLER ASSY,R.H 1 KZ650-B3  
7 18001-1003 MUFFLER ASSY,R.H 1 KZ650-B2A~  
8 18049-1397 PIPE-EXHAUST,#4 1 KZ650-B1/B2  
8 18049-1397 PIPE-EXHAUST,#4 1 KZ650-B3  
8 18049-1013 PIPE,EXHAUST,#1 1 KZ650-B2A~  
9 11060-1051 GASKET,MUFFLER CONNEC 4  
10 92037-1220 CLAMP,MUFFLER 2  
11 461F0800 WASHER SPRING 8MM 4  
12 115G0825 BOLT-SMALL-UPSET 8X25 4  
13 14025-1099 COVER,MUFFLER,L.H. 1 KZ650-B1/B2A  
13 14025-1099 COVER,MUFFLER,L.H. 1 KZ650-B3  
14 411D0600 WASHER-PLAIN,6MM 4  
15 92011-039 SCREW,PAN HEAD,6X8 4  
16 32032-1669 PIPE,MUFFLER CONNECTI 1  
17 14025-1100 COVER,MUFFLER,R.H. 1 KZ650-B1/B2/B2A  
17 14025-1100 COVER,MUFFLER,R.H. 1 KZ650-B3  
18 32069-1040 BRACKET,MUFFLER,L.H. 1 KZ650-B1/B2/B2A  
19 92075-015 DAMPER RUBB MAIN STAD 1  
20 411B0800 WASHER PLAIN 8MM 4  
21 461F0800 WASHER SPRING 8MM 4  
22 115G0816 BOLT-SMALL-UPSET,8X16 4  
23 32069-1039 BRACKET,MUFFLER,R.H. 1 KZ650-B1/B2/B2A  
24 92037-1223 CLAMP,PIPE,35MM 2  
25 110R0610 BOLT (6X10) 4 KZ650-B2A~  
26 32069-1040 BRACKET,MUFFLER,L.H. 1 KZ650-B3  
27 32069-1039 BRACKET,MUFFLER,R.H. 1 KZ650-B3



1 16082-064 OIL PUMP ASSY 1  
2 16085-025 GEAR,OIL PUMP,57T 1 57T  
3 92042-041 PIN,DOWEL 2  
4 16086-004 SHAFT,OIL PUMP 1  
5 16111-004 STRAINER,OIL PUMP 1  
6 16154-003 ROTOR ASSY,OIL PUMP 1  
7 16145-004 GASKET,OIL PUMP COVER 1  
8 16142-005 COVER,OIL PUMP 1  
9 92022-311 WASHER,PLAIN 1  
10 480J1100 CIRCLIP,11MM 1  
11 220B0622 SCREW PAN HEAD 6X22 3  
12 92043-1302 PIN,DOWEL,8X10 1  
13 92042-050 PIN,DOWEL,6.2X8X28 2  
14 92001-165 BOLT,HEX HEAD,6X45 1  
15 221B0650 SCREW,CONTRUNK HEAD 2  
16 16130-1001 RELEAF VALVE ASSY 1  
17 92055-077 "O" RING 3 O.D.=19.5  
18 671B2590 "O" RING,90MM 2  
19 11009-1983 GASKET,OIL PAN 1  
20 49034-5011 PAN-OIL 1  
21 130G0625 BOLT,FLANGED,6X25 15  
22 92066-1174 PLUG,OIL DRAIN,12X15 1  
23 92065-097 GASKET,DRIN PLUG 1  
24 92055-1146 RING-O 1  
25 92066-066 PLUG 1  
26 16099-003 FILTER,OIL 1  
27 92022-144 SHIM-KICK SHAFT 1  
27 92022-1012 WASHER,20.5X30X1.0 1  
28 92081-1018 SPRING,OIL FILTER 1  
29 13169-1110 PLATE,OIL FILTER 1  
30 16101-004 COVER,OIL FILTER 1  
31 16126-1108 VALVE,OIL FILTER 1  
32 92081-133 SPRING,PISTON 1  
33 92136-001 PISTON 1  
34 670B2016 "O" RING,16MM 1  
35 92043-111 SPRING PIN 1

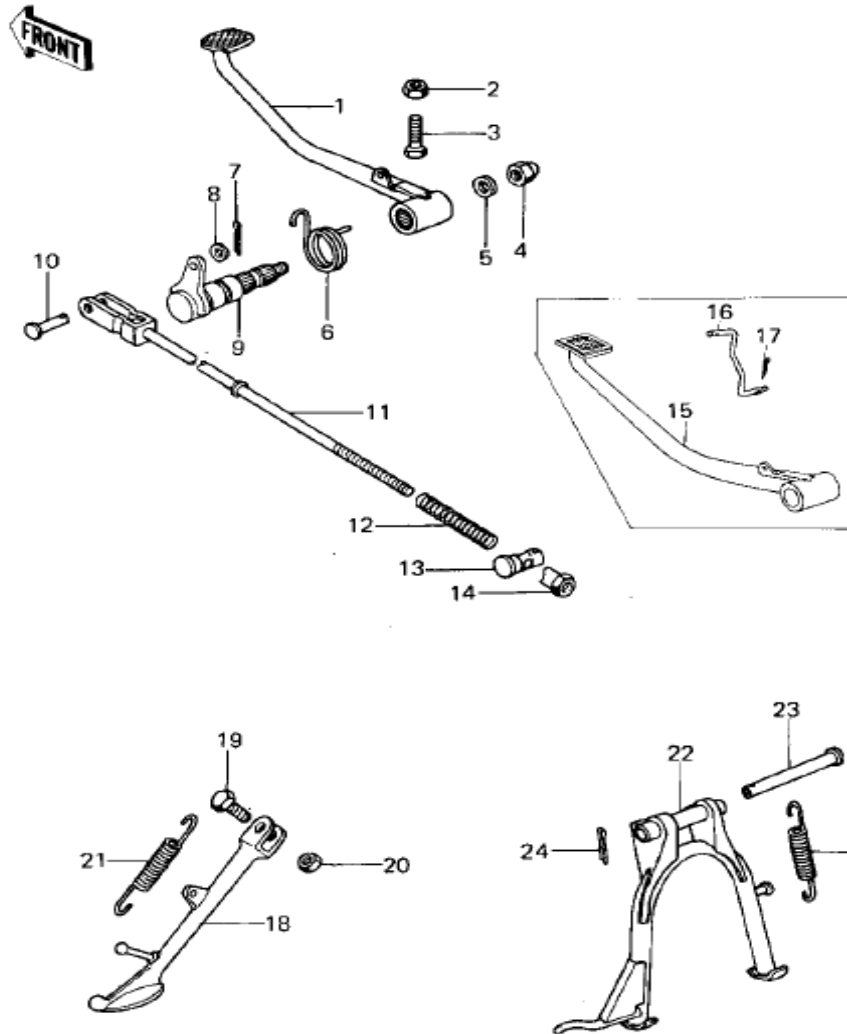


1 550D4035 PIN-COTTER,4.0X35 1  
2 92015-055 NUT CASTLE,16MM 1  
3 42032-067 COLLAR,REAR AXLE,L.H. 1 L.H.  
4 42041-165 REAR SPROCKET,42T 1  
5 92057-1232 CHAIN-EX50MV-0X102L 1 EK530SH  
6 42008-032 COUPLING ASSY,REAR HB 1  
7 42045-005 NUT 10MM 6  
8 92088-007 WASHER LOCK 3  
9 92050-076 OIL,SEAL,#38629 1  
10 601B6305 BEARING BALL #6305 1  
11 42036-026 SLEEVE,REAR HUB COUPL 1  
12 92003-087 BOLT-REAR SPROCKET 6  
13 42005-051 DRUM ASSY,REAR BRAKE 1  
14 601B6303 BEARING BALL #6303 1  
15 671B2555 "0" RING,55MM 1  
16 42014-026 DAMPER,REAR HUB SHOCK 1  
17 42010-033 SPACER,REAR HUB BRG 1  
18 601B6303U BEARING-BALL 1  
19 92033-1042 CIRCLIP,47M/M 1  
20 41035-1056 PANEL-ASY,RR BRK 1  
21 42019-012 SHOE,BRAKE 2  
22 41049-012 SPRING,BRAKE SHOE 2  
23 41050-017 CAM SHAFT,BRAKE 1  
24 41051-003 DUST SHIELD-BRAKE CAM 1  
25 41085-004 INDICATOR,BRAKE SHOE 1  
26 42029-039 LEVER REAR BRAKE CAM 1  
27 114G0828 BOLT HEX HEAD 8X28 1  
28 42032-017 COLLAR REAR AXLE 1 R.H.  
29 41068-1086 AXLE,RR 1



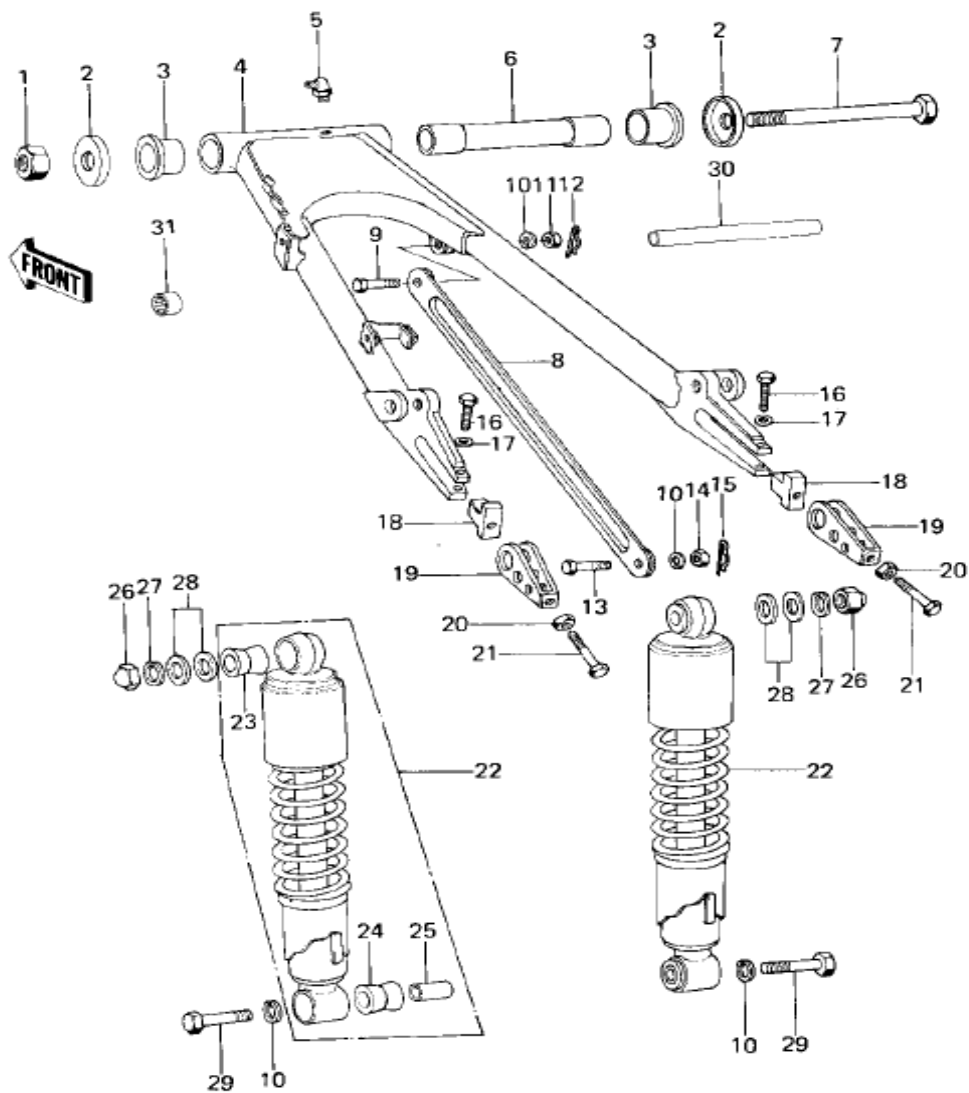


1 53001-1194 SEAT-ASSY,DUAL,W/BAND 1 KZ650-B1/B2/B2A  
1 53001-1194 SEAT-ASSY,DUAL,W/BAND 1  
1 53001-1194 SEAT-ASSY,DUAL,W/BAND 1 KZ650-B3  
2 53009-031 HINGE,FRONT 2  
3 411B0600 WASHER PLAIN 6MM 10  
4 461F0600 WASHER SPRING 6MM 6  
5 112G0616 BOLT-UPSET,6X16 4  
6 92075-156 DAMPER RUBBER-SEAT 2  
7 311B0600 NUT 6MM 4  
8 53058-004 BRACKET,SEAT CATCH 1  
9 53056-002 CATCH, SEAT 1  
10 112B0614 BOLT-UPSET 6X14 2  
11 92075-099 DAMPER RUBBER 3  
12 53011-008 PIN,DUAL SEAT PIVOT 1  
13 92041-003 COTTER PIN 4  
14 53054-006 STOPPER,SEAT 1  
15 410B0600 WASHER PLAIN 6MM 1  
16 27016-5010 LOCK-ASSY,SEAT 1 KZ650-B1/B2/B2A  
16 27016-5010 LOCK-ASSY,SEAT 1 KZ650-B3  
17 112G0612 BOLT-UPSET,6X12 1  
18 461F0600 WASHER SPRING 6MM 1  
19 53011-002 PIN 1  
20 32099-011 CASE 1 NOT REQUIRED FOR 53001-131  
21 92071-056 GROMMET 1 NOT REQUIRED FOR 53001-131  
22 110B0510 BOLT HEX HEAD 5X10 2



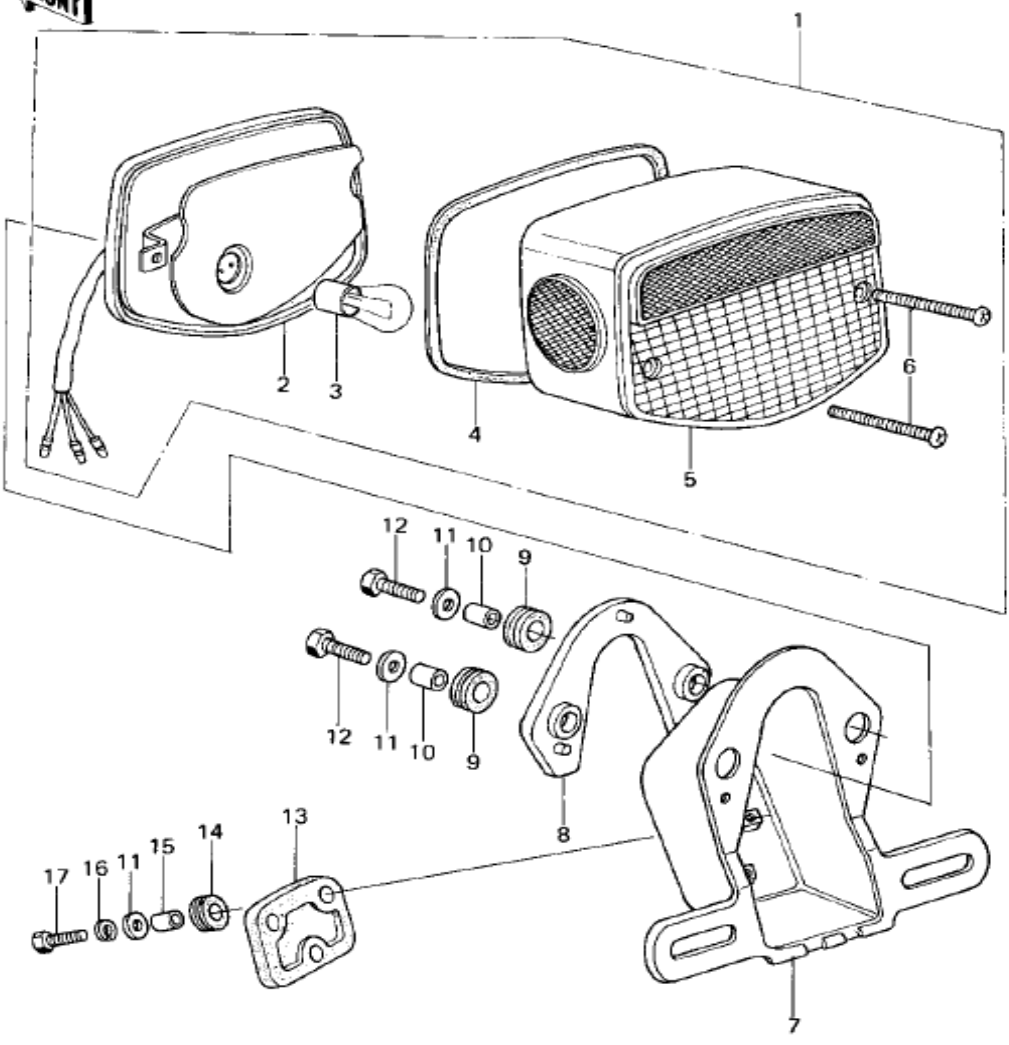
- 1 43001-1009 PEDAL BRAKE 1 KZ650-B1/B2/B2A
- 2 311B0600 NUT 6MM 1
- 3 112G0620 BOLT-UPSET,6X20 1
- 4 92019-013 NUT,CAP AND LOCK,8MM 1
- 5 92022-1561 WASHER,8.5X20X1.6 1
- 6 43005-022 SPRING,BRAKE PEDAL 1
- 7 550D2015 PIN COTTER 2.0X15 1
- 8 410B0600 WASHER PLAIN 6MM 1

9 43004-012 SHAFT,BRAKE PEDAL 1  
10 92043-064 PIN-BRAKE ROD FITTING 1  
11 43011-009 ROD-BRAKE 1  
12 43012-001 SPRING,BRAKE ROD 1  
13 92043-065 PIN-BRAKE ROD 1  
14 92015-042 NUT-BRAKE ROD ADJUST 1  
15 43001-1009 PEDAL BRAKE 1 KZ650-B3  
16 27012-1003 HOOK,BRAKE SWITCH 1 KZ650-B3  
17 550D1610 PIN COTTER 1.6X10 1 KZ650-B3  
18 34024-1103 STAND-SIDE 1  
19 92003-079 BOLT-SIDE STAND 1  
20 314B1000 NUT,10MM 1  
21 34025-005 SPRING,SIDE STAND 1  
22 34011-1041 STAND-MAIN 1  
23 34019-015 SHAFT,MAIN STAND 1  
24 550D3030 PIN COTTER 3.0X30 1  
25 34023-016 SPRING,MAIN STAND 1

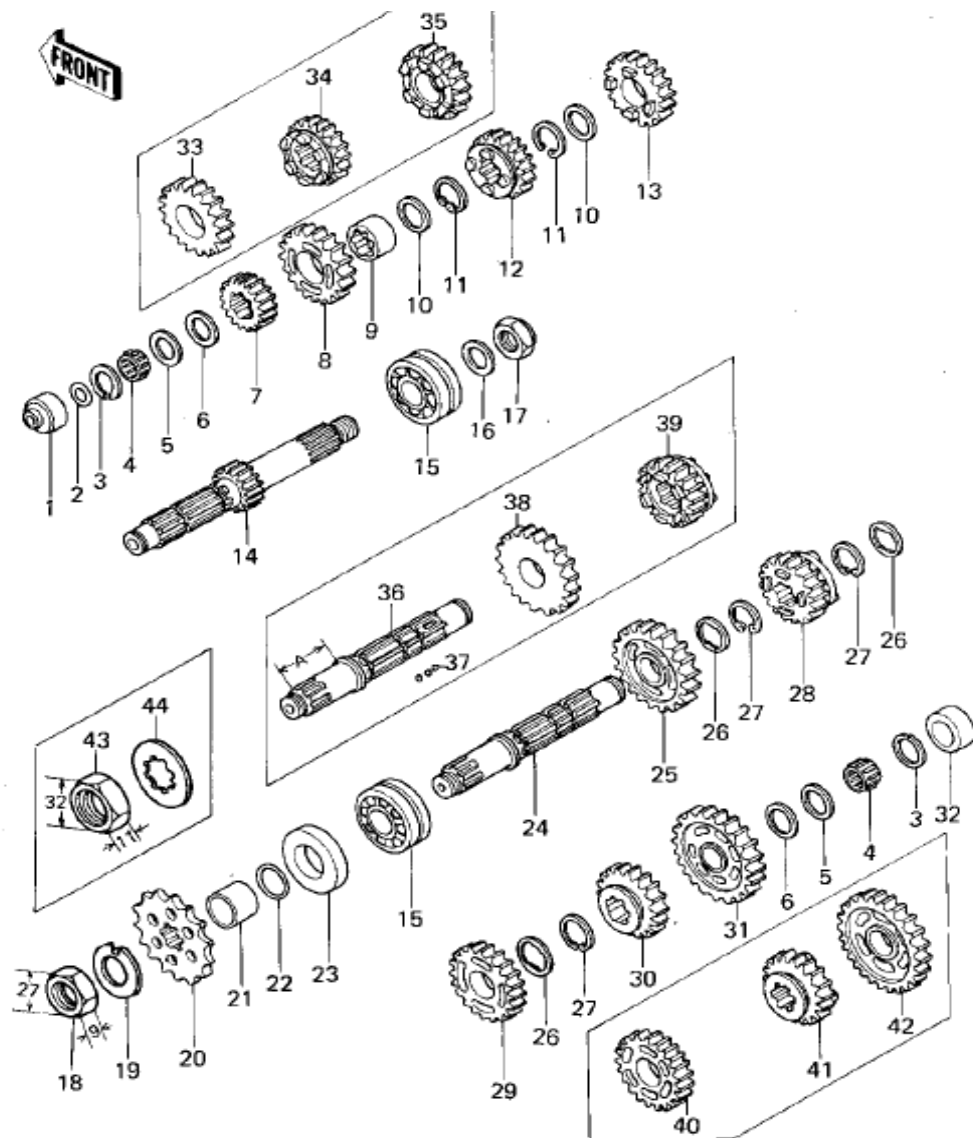


2 33035-008 CAP,SWING ARM 2 KZ650-B1  
2 33035-009 CAP,SWING ARM 2 KZ650-B2~  
3 33033-009 BUSHING-SWING ARM 2 KZ650-B1  
4 33001-089 SWING ARM 1 KZ650-B1  
4 33001-1078 ARM-COMP-SWING 1 KZ650-B2~  
5 92005-002 GREASE NIPPLE 1  
6 33034-024 SLEEVE,SWING ARM 1 KZ650-B1  
7 33032-050 SHAFT,SWING ARM 1  
8 43007-027 TORQUE LINK-REAR BRK 1  
9 92003-096 BOLT 1  
10 461F1000 WASHER SPRING 10MM 4  
11 314B1000 NUT,10MM 1  
12 554A0800 PIN,SNAP 1  
13 92003-034 BOLT HEX HEAD 10MM 1  
14 315B1000 NUT 10MM 1  
15 554A0800 PIN,SNAP 1  
16 92001-1577 BOLT,FLANGED,8X35 2  
17 461F0800 WASHER SPRING 8MM 2  
18 33044-002 STOPPER,CHAIN ADJUST 2  
19 33040-056 ADJUSTER,CHAIN 2  
20 312B0800 NUT 8MM 2  
21 92001-1399 BOLT,8X50 2  
22 45014-117 SHOCK ABSBR RR 2  
23 45017-015 BUSHING,SHCK ABS RUB 2  
24 45016-008 BUSHING,SHOCK ABSORB 2  
25 45017-012 BUSHING, SHCK ABS RUB 2  
26 92020-014 NUT 12MM 2  
27 461F1200 WASHER SPRING 12MM 2  
28 410B1200 WASHER PLAIN 12MM 4  
29 113N1035 BOLT HEX HEAD 10X35 2  
30 42036-1012 SLEEVE,SWING ARM 1 KZ650-B2~  
31 92046-1115 BEARING-NEEDLE,HK2216 4 KZ650-B2~

FRONT



1 23025-064 TAIL LAMP UNIT 1 "220-40781" MARK  
2 23027-041 CASE, TAIL LIGHT 1  
3 92069-059 BULB, 12V 32/3CP 1  
4 23028-021 GASKET, TAIL LENS 1  
5 23026-034 LENS, TAIL LAMP 1  
6 220R0460 SCREW-PAN-CROS 2  
7 23036-051 BRACKET, LICENSE PLATE 1 "220-40806" MARK  
8 23066-023 DAMPER RUBBER 1  
9 23066-020 DAMPER RUBBER 2  
10 92027-129 COLLAR, 6.8X10X8.5 2  
11 92022-125 WASHER 6.5X20X1.6T 5  
12 112G0618 BOLT-UPSET 2  
13 35039-004 DAMPER RUBBER, RR FEND 1  
14 92075-121 DAMPER RUBBER, RR FEND 3  
15 92027-156 COLLAR 6.8X10X14.5 3  
16 461F0600 WASHER SPRING 6MM 3  
17 112G0625 BOLT-UPSET 3

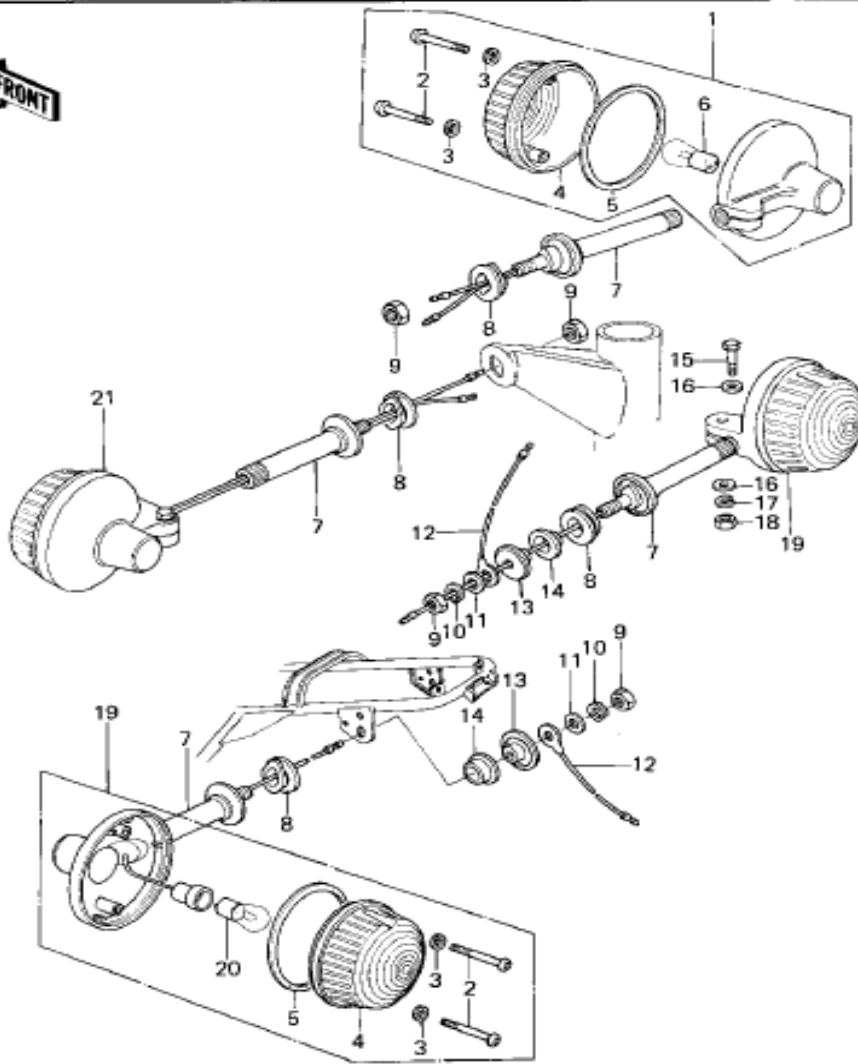


- 1 92028-179 BUSHING,DRIVE SHAFT 1  
 2 670B1507 "O" RING,7MM 1  
 3 92033-015 CIRCLIP 2  
 4 92046-1030 BEARING,VS20/14A 2  
 5 92022-112 WASHER THRUST AR STEEL  
 5 92022-144 SHIM-KICK SHAFT AR STEEL  
 5 92022-1026 WASHER,PLAIN AR STEEL  
 6 92022-113 WASHER THRUST 2 PHOSPHOR-BRONZE

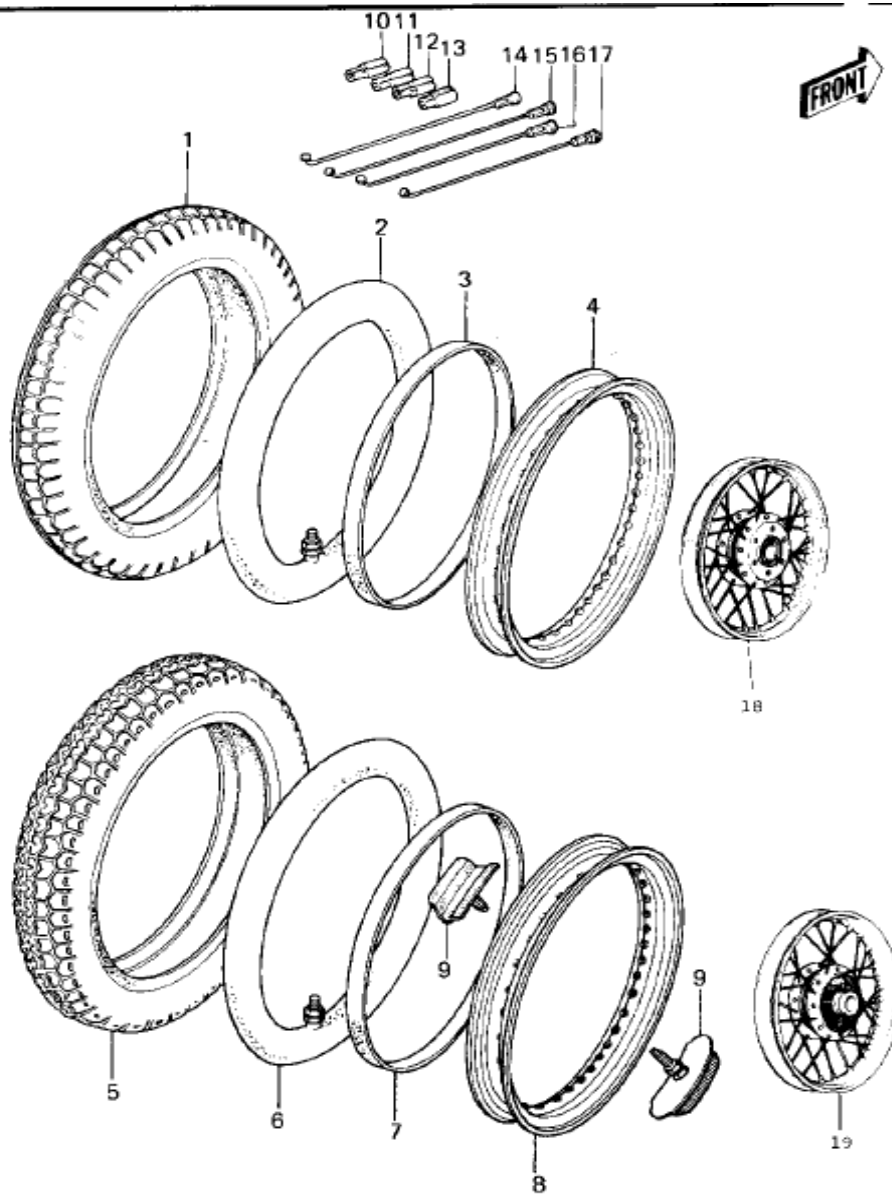


7 13130-041 2ND GEAR,DRIVE 1  
8 13136-060 TOP GEAR,DRIVE 1 KZ650-B1  
9 92028-1007 BUSHING,DRV SHFT TOP 1  
10 92022-161 WASHER PLAIN 2  
11 92033-026 CIRCLIP 2  
12 13132-044 3RD GEAR,DRIVE 1 KZ650-B1  
13 13134-029 4TH GEAR,DRIVE 1 KZ650-B1  
14 13127-051 SHAFT,DRIVE 1 KZ650-B1  
15 92045-035 BEARING,BALL 2  
16 92125-002 WASHER 1  
17 92015-1555 NUT,20MM 1  
18 92016-028 NUT 20MM 1 USE FOR 13128-1005  
19 92024-044 WASHER,LOCK,20MM 1 USE FOR 13128-1005  
20 13144-063 ENGINE SPROCKET,16T 1  
20 13144-1009 ENGINE SPROCKET,17T 1 RACING USE ONLY  
21 92027-288 COLLAR,ENG SPROCKET 1  
22 92055-035 "O" RING 1  
23 92050-024 OIL SEAL SC325210 1  
24 13128-044 SHAFT,OUTPUT 1 KZ650-B1  
25 13131-052 2ND GEAR,OUTPUT 1 KZ650-B1  
26 92024-069 WASHER,LOCK 3  
27 480J3000 CIRCLIP,30MM 3  
28 13137-039 TOP GEAR,OUTPUT 1 KZ650-B1  
29 13133-041 3RD GEAR,OUTPUT 1 KZ650-B1  
30 13135-030 4TH GEAR,OUTPUT 1 KZ650-B1  
31 13129-056 LOW GEAR,OUTPUT 1 KZ650-B1  
32 92028-180 BUSHING,OUTPUT SHAFT 1  
33 13129-1045 TOP GEAR,DRIVE SHAFT 1 KZ650-B2~  
34 13129-1032 3RD GEAR,DRIVE SHAFT 1 KZ650-B2~  
35 13129-1044 4TH GEAR,DRIVE SHAFT 1 KZ650-B2~  
36 13128-5005 SHAFT,OUTPUT 1 E/NO.046001~069730  
36 13128-1012 SHAFT,OUTPUT 1 E/NO.069731~  
37 600A0500 BALL STEEL 5/32' 3 KZ650-B2~  
38 13129-1047 2ND GEAR,OUTPUT SHAFT 1 KZ650-B2~  
39 13129-1033 TOP GEAR,OUTPUT SHAFT 1 KZ650-B2~  
40 13129-1048 3RD GEAR,OUTPUT SHAFT 1 KZ650-B2~  
41 13129-1049 4TH GEAR,OUTPUT SHAFT 1 KZ650-B2~  
42 13129-1046 LOW GEAR,OUTPUT SHAFT 1 KZ650-B2~  
43 92015-1254 NUT,20MM 1 USE FOR 13128-1012  
44 92200-1065 WASHER 1 USE FOR 13128-1012

FRONT



1 23040-029 LAMP-TURN SIGNAL 1 KZ650-B1  
1 23040-1005 LIGHT ASSY,TRN SG,R.H 1 KZ650-B2~  
2 220E0435A SCREW-PAN HEAD,4X35 8  
3 23058-002 WASHER-PLAIN,4MM 8  
4 23048-1024 LENS-SIGNAL LAMP 4  
5 23050-002 GASKET,TURN SIG LAMP 4  
6 92069-055 BULB 12V 32CP 2 KZ650-B1  
6 92069-060 BULB,12V 23/8W 2  
7 23051-053 BRACKET,TURN SIGNAL.L 4  
8 92075-128 DAMPER RUBBER 4  
9 315B1000 NUT 10MM 4  
10 461F1000 WASHER SPRING 10MM 2  
11 92022-239 WASHER,PLAIN 2  
12 26011-063 LEAD WIRE,SIGNAL LAMP 2  
13 92027-147 COLLAR 2  
14 92075-158 DAMPER RUBBER,SIG LM 2  
15 112G0630 BOLT-UPSET 4  
16 411B0600 WASHER PLAIN 6MM 8  
17 461F0600 WASHER SPRING 6MM 4  
18 311B0600 NUT 6MM 4  
19 23040-029 LAMP-TURN SIGNAL 2  
20 92069-055 BULB 12V 32CP 2  
21 23040-029 LAMP-TURN SIGNAL 1 KZ650-B1  
21 23040-1006 LIGHT ASSY,TRN,SG,L.H 1 KZ650-B2~



- 1 41021-038 TIRE 325H-19 F6B (F) 1 DUNLOP F68  
 2 41022-030 \*\*\* N.L.A.\*\*\* (Canada) 1  
 3 41023-015 BAND RIM 1  
 4 41025-085 RIM 1  
 5 41021-039 TIRE 400H-18 K87 (R) 1 DUNLOP K87 (MARK II)  
 6 41022-031 TUBE 350/375/410-18 1  
 7 41023-1006 BAND,RIM,4.00/5.10-18 1  
 8 41025-058 RIM-2-15BX18W 1

9 41024-008 PROTECTOR-BEAD,2.15B 2  
10 41075-1010 WEIGHT,BALANCE,5G AR  
11 41075-1007 WEIGHT,BALANCE,10G AR  
12 41075-1008 WEIGHT,BALANCE,20G AR  
13 41075-1009 WEIGHT,BALANCE,30G AR  
14 41027-085 SPOKE-ASY,FR INNER 20 184.5 M/M X 97  
15 41028-084 SPOKE-ASY,FR OUTER 20 184 M/M X 83  
16 41027-090 SPOKE-ASY,RR INNER 20 147.5 M/M X 103  
17 41028-089 SPOKE-ASY,RR OUTER 20 146.5 M/M X 84  
18 41074-047 WHEEL ASSY FRONT 1  
19 42048-041 WHEEL ASSY,REAR 1