

MEGAPOWER



MEGADYNE

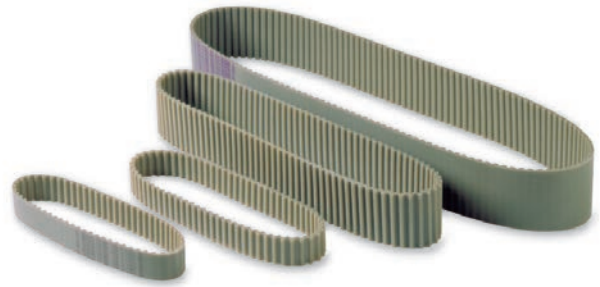
| | |
|--|-----------|
| Introduction to Megapower belts | 2 |
| Megapower belt system specifications | 3 |
| Classifications | 4 |
| Power transmission calculation procedure | 6 |
| Calculation parameters | 8 |
| Belt calculation example | 9 |
| Belt installation | 10 |
| Causes of belt failure | 11 |
| Belt data | |
| MXL | 12 |
| XL | 13 |
| L | 14 |
| H | 15 |
| T2,5 | 16 |
| T5 - T5DL | 17 |
| T10 - T10DL | 18 |
| AT5 | 19 |
| AT10 | 20 |
| Megapower feasibility table | 21 |
| Coatings and cover properties | 22 |
| Special executions | 23 |
| Special executions photos | 24 |
| Pulleys and timing bars | 26 |
| Useful formulas and conversion table | 28 |

| | |
|--|-----------|
| Introduction to Megapower belts | 2 |
| Megapower belt system specifications | 3 |
| Classifications | 4 |
| Power transmission calculation procedure | 6 |
| Calculation parameters | 8 |
| Belt calculation example | 9 |
| Belt installation | 10 |
| Causes of belt failure | 11 |
| Belt data | |
| MXL | 12 |
| XL | 13 |
| L | 14 |
| H | 15 |
| T2,5 | 16 |
| T5 - T5DL | 17 |
| T10 - T10DL | 18 |
| AT5 | 19 |
| AT10 | 20 |
| Megapower feasibility table | 21 |
| Coatings and cover properties | 22 |
| Special executions | 23 |
| Special executions photos | 24 |
| Pulleys and timing bars | 26 |
| Useful formulas and conversion table | 28 |

| | |
|--|-----------|
| Introduction to Megapower belts | 2 |
| Megapower belt system specifications | 3 |
| Classifications | 4 |
| Power transmission calculation procedure | 6 |
| Calculation parameters | 8 |
| Belt calculation example | 9 |
| Belt installation | 10 |
| Causes of belt failure | 11 |
| Belt data | |
| MXL | 12 |
| XL | 13 |
| L | 14 |
| H | 15 |
| T2,5 | 16 |
| T5 - T5DL | 17 |
| T10 - T10DL | 18 |
| AT5 | 19 |
| AT10 | 20 |
| Megapower feasibility table | 21 |
| Coatings and cover properties | 22 |
| Special executions | 23 |
| Special executions photos | 24 |
| Pulleys and timing bars | 26 |
| Useful formulas and conversion table | 28 |

INTRODUCTION TO MEGAPOWER BELTS

MEGADYNE began manufacturing transmission belts in 1957 and moulding MEGAPOWER belts in 1975. MEGAPOWER timing belts are manufactured in thermoset polyurethane by a unique moulding process. The thermoset polyurethane gives superior wear and abrasion resistance. Several type of cords, helically wound rolled up inside the belts, assure excellent dimensional stability and offer high performances in terms of flexibility and traction resistance. MEGAPOWER belts are particularly suitable for power transmission applications.



MEGAPOWER USE ADVANTAGES

MEGAPOWER timing belt drives represent a modern and efficient system of power transmission. They combine the advantages and properties of geared drives with those of Vee and Flat belts whilst eliminating the troubles typical of each of these types of transmission.

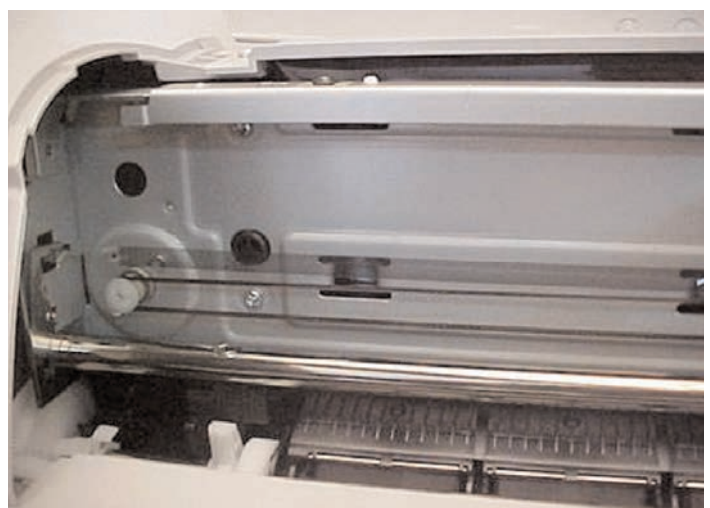
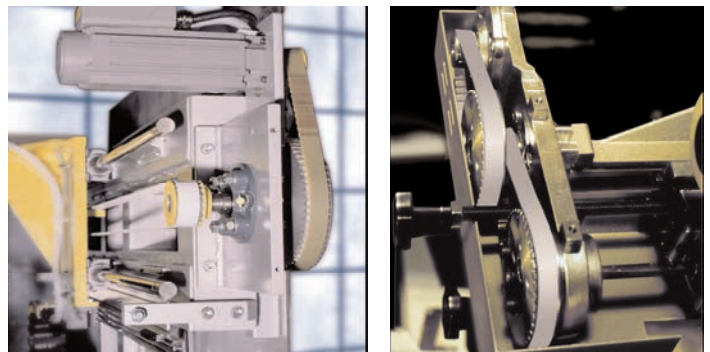
MEGAPOWER drives allow:

- synchronous transmission
- constant and high angular speed
- excellent mechanical performance
- dimensional stability
- low noise
- low installation tension
- minimum drive dimensions
- omega drive configuration
- customised belt engineering

MEGAPOWER APPLICATION AREAS

Thanks to their features, Megapower belts can be successfully used in a wide range of applications such as:

- computers tape movement
- office automation equipment
- medical equipment
- packaging machinery
- motor vehicles
- swimming pool cleaning robots
- plotters
- money changers
- optical instruments
- robotic arms
- electric appliances
- shower manual controls
- vacuum systems
- vending machines
- food machinery
- textile machinery
- leisure and do-it-yourself equipment



MEGAPOWER BELT SYSTEM SPECIFICATIONS

To satisfy a wide range of loads, speeds and applications, MEGAPOWER belts and pulleys are made in a selection of sizes, capacities and dimensions.

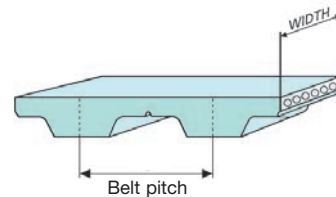
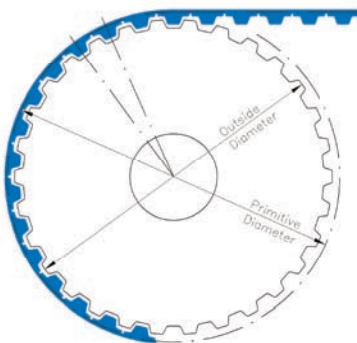
The three most significant dimensions of a belt are:

1) Pitch is the distance in millimetres between two adjacent teeth centers as measured on the pitch line of the belt; the theoretical pitch line of a MEGAPOWER belt lies within the tensile member. It is indicated with abbreviations like T5, AT5, T10, AT10, H. The correspondence between abbreviations and pitches are indicated in the products pages.

2) Pitch length is the total length (circumference) in millimetres as measured along the pitch line. On the pulley, the pitch line identifies the primitive diameter. The primitive diameters of the driver (d_1) and driven (d_2) pulleys are the ones to be used for calculating the transmission ratio

$$i = \frac{d_2}{d_1}$$

3) Width can vary depending on driving system needs.



Reference dimensions

The imperial pitch belts follow ISO 5296-1 normative.
The T series driving systems follow the normative DIN-7721-1.
The ISO normative for AT series driving systems is under construction.

A belt is constituted by two components: the body in POLYURETHANE and a tension member represented by the CORDS in steel, fiberglass, polyester and Kevlar.

STANDARD RANGE



MXL • XL • L • H



T2,5 • T5 • T10



T5DL • T10DL



AT5 • AT10

CLASSIFICATIONS

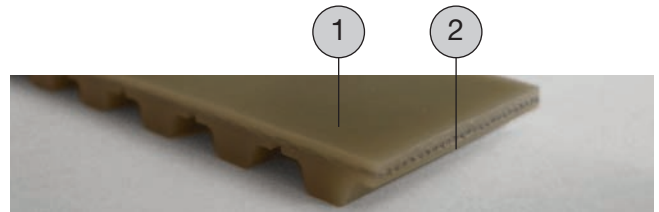
CLASSIFICATIONS

Megapower Timing Belts are manufactured in thermoset polyurethane, with helically wound zinked steel. This type of belts, developed by our Research & Development, offers good running characteristics and high traction loads. They are especially suited for power transmission. An extra thickness of special coating is also possible on the back of the belt offering extra protection against aggressive or heavy products.

1) The body of the belts is grey/green thermoset polyurethane 88 ShA, characterized by high levels of wear resistance even in the presence of shock and surge loading. The thermoset polyurethane is obtained by mixing a prepolymer with a bonding compound and heating the mixture. After cooling down to ambient temperature, the result is a polyurethane with good chemical and mechanical characteristics giving the belt high performances and long lifetime.

2) High strength helically wound zinked steel tension members allow high breaking load and extremely low elongation. The combination of these high grade materials improves belt performances which can be summarised as follows:

- exceptional resistance to abrasion and tooth shear
- low coefficient of friction
- high flexibility
- ozone and temperature resistance (-25 °C / +80 °C)
- oil, grease and gasoline resistance



MECHANICAL AND CHEMICAL CHARACTERISTICS

- Constant dimensions
- Noiseless
- Free maintenance
- High flexibility
- High resistance steel traction cords, with little stretching and top flexibility
- Linear speeds up to 70 m/s
- Low pretension
- Constant length
- High abrasion resistance
- Ageing, Hydrolysis, Ozone resistant
- Working temperature -25 °C / +80 °C
- High resistance to Oils, Greases and Gasoline
- Fairly Acid-proof and Alkali-proof

BODY

Megapower belts are manufactured with grey/green thermoset polyurethane 88 ShA as standard.

Special compounds (different hardnesses, special properties) are available on request. Here under some PU characteristics:

| | |
|-----------------------|---|
| Water | No problem in normal or sea clean water, at room temperature. Over 60 °C there is a fast decrease of breaking strength. |
| Acids | In acids diluted proportions, at room temperature, this PU is moderately attacked. In high concentration acid solutions, this PU has a very short lifespan. Over 50 °C, acids are always dangerous for thermoset PU. |
| Alkalis | In alkalis diluted proportions, at room temperature, this PU is moderately attacked. In high concentration alkaline solutions, this PU has a very short lifespan. |
| Solvents | Thermoset PU is insoluble in the greater part of solvents. Only the very polar solvents (same as tetrahydrofuran, dimethylformamide, n-methylpyrrolidone) can dissolve or tight damage PU. The esters or the ketons (same as ethylacetate or methylethylketene) can usually produce a bulge, decreasing mechanical characteristics. The aromatic hydrocarbons and the aliphatic hydrocarbons produce very high bulge. |
| Oils | PU has a high resistance to mineral pure oils (lubricants, engine oils, combustible oils). Usually, high performance syntetic oils, due to special additives contained, can be incompatible with thermoset PU, especially at high temperature. |
| Greases | PU has a high resistance to pure mineral greases (lubricants greases). Usually, high performance syntetic greases, due to special additives contained, can be incompatible with thermoset PU, especially at high temperature. |
| Fuels | Good resistance to petrol without alcohols. In presence of alcohols, thermoset PU can suffer deterioration. Fuels including aromatic stuffs can produce reversible bulges. |
| Microorganisms | In presence of grime, containing humidity, microorganisms can develop. In case that microbic attack can produce danger, you have to use a special kind of PU. |

CORDS

| | |
|--------------------------------------|---|
| Standard cord | Megapower is manufactured with helicoidal zinked steel cords as standard. |
| Kevlar | Kevlar tension cords are suggested for non magnetic, precisely for use in drives with metal detectors, and they also are widely used in food industry. |
| HP | High performance cords have 25% more strength capacity than standard cords. They are recommended for high repeatability applications. |
| HF | High flexibility cords can accept smaller pulley and idler diameters than standard cords. They are suitable for multi-shaft drives with severe reverse bending. |
| HPF | High performance and flexibility cords have 25% more strength capacity like the HP cords, but they are more flexible than the HP cords. They are suggested for high performance and multi-shaft drives. |
| Stainless steel | Stainless steel cords have 25% less strength capacity than standard cords. They are recommended for water applications. |
| Fiberglass and polyester cord | They combine particular mechanical characteristics, such as high flexibility, with resistance to water, wet and humid environments. |

Special compound and cords have to be tested and homologated on application. Megadyne is not responsible for wrong functioning of special products.

COATING

Megapower belts can be manufactured with special coatings, in order to fit many application with different requirements. For feasibility see table at page 21 and for properties see page 22.

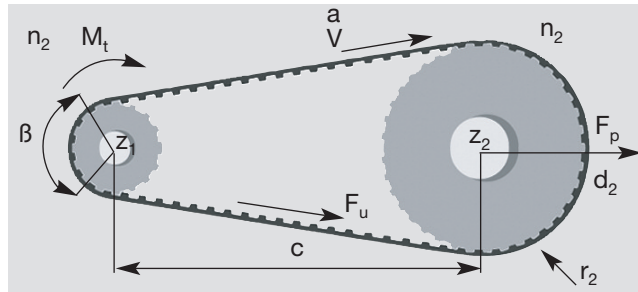
IDENTIFICATION CODE

Using the information in the table below, it is possible to identify the correct belt for every application. The code is composed of letters and numbers as the following example:

| | | | | | |
|------------|----------|-----------|----------|-------------|-----------------------------|
| 1 | 2 | 3 | 4 | 5 | 6 |
| MPW | + | 50 | + | AT | + |
| | | | | 10 | + |
| | | | | 1500 | + |
| | | | | | SPECIAL MANUFACTURES |

- 1) **MPW** Megapower timing belt.
- 2) **50** This number indicates the width of requested belt. The value is in mm for a belt with a pitch in mm, and in inches for a belt with a pitch in inches.
- 3) **AT** This code composed by letters indicates the selection of profile.
- 4) **10** This number indicates the standard pitch of the belt. It is expressed in mm.
- 5) **1500** The last number indicates the length of the belt always in mm regardless of pitch.
- 6) **SPECIAL MANUFACTURES:**
 - special cords as Kevlar or HP or HF or HPF or stainless steel or fiberglass or polyester
 - special compound as different hardness or different colours
 - extra coating

POWER TRANSMISSION CALCULATION PROCEDURE



| Symbol | Unit | Definition | Symbol | Unit | Definition |
|---|-------|---|-------------------------------------|------------------|--|
| t | mm | pitch | F_u | N | transmittable force |
| b | mm | belt width | F_p | N | pretension |
| L_w | mm | belt length | i | - | speed ratio |
| c | mm | center distance | n₁, n₂ | RPM | speed of driver/ driven pulley |
| β | | arc of contact | d₁, d₂ | mm | pitch diameter of driver/ driven pulley |
| C₁, C₂, C₃, C_{TOT} | | safety factors | z₁, z₂ | | no. of teeth of driver/ driven pulley |
| P | kW | power | z_m | | no. of teeth in mesh |
| P_R | kW/cm | transmittable power each cm of tooth in mesh | M_t | Nm | drive torque |
| | | | a | m/s ² | acceleration |

DETERMINATION OF BELT PITCH

The belt pitch can be determined with the belt selection chart at page 8 (for new applications we suggest AT profiles), referring to the speed of the small pulley.

DETERMINATION OF SPEED RATIO

The speed ratio represents the ratio of pulley speed n_1 to n_2 , or pulley pitch diameter d_2 to d_1 or of number of teeth z_2 to z_1 .

$$i = \frac{n_1}{n_2} = \frac{d_2}{d_1} = \frac{z_2}{z_1}$$

SELECTION OF REQUIRED TIMING PULLEYS

For the selection of the needed timing pulleys see belt data pages and pulleys catalogue.

CALCULATION OF REQUIRED BELT LENGTH

The belt length can be determined replacing your values in the following formula:

$$L_w[\text{mm}] = 2 \cdot c \cdot \sin \frac{\beta}{2} + \frac{t}{2} \cdot \left[z_1 + z_2 + \left(1 - \frac{\beta}{180} \right) \cdot (z_2 - z_1) \right] \quad \text{where} \quad \beta = 2 \cdot \arccos \left[\frac{t \cdot (z_2 - z_1)}{2 \cdot \pi \cdot c} \right]$$

POWER TRANSMISSION CALCULATION PROCEDURE

The actual belt length is to be taken from those available in the table (see belt page), the closest to the calculated L_w .

CALCULATION OF CENTER DISTANCE

The approximate center distance can be determined replacing your values in the following formula:

$$c = \frac{1}{4} \left[L_w - \frac{t}{2} (z_1 + z_2) + \sqrt{\left[L_w - \frac{t}{2} (z_1 + z_2) \right]^2 - \left[\frac{t}{\pi} (z_1 - z_2) \right]^2} \right]$$

CHOICE OF SAFETY FACTOR

The total safety factor C_{TOT} is the correction coefficient for the power (to be transmitted) to obtain the design power.

$$C_{TOT} = C_1 + C_2 + C_3$$

C_1 is the *Acceleration Factor*, used when the inverse of speed ratio i is $> 1,24$

| 1/i | 1,00÷1,24 | 1,25÷1,74 | 1,75÷2,49 | 2,50÷3,49 | >3,50 |
|-------|-----------|-----------|-----------|-----------|-------|
| C_1 | 0 | 0,1 | 0,2 | 0,3 | 0,4 |

C_2 is the *Service Factor* depending on the number of the operational hours per day (operation time)

| h/day | 8÷10 | 10÷16 | 16÷24 | Intermittent | Seasonal |
|-------|------|-------|-------|--------------|----------|
| C_2 | 0 | +0,1 | +0,2 | -0,1 | -0,1 |

C_3 is the *Load Factor* depending on the type of driver used by internal transmission of the driven machine. For C_3 values see the table 1 at page 8.

DETERMINATION OF NUMBER OF TEETH IN MESH

The number of the teeth in mesh can be determined replacing your values in the following formula:

$$z_m = \frac{z_1 \cdot \beta}{360}$$

If calculated z_m is above 15, consider $z_m = 15$ (maximum number of teeth in mesh)

DETERMINATION OF BELT WIDTH

The belt width is calculated using the transmittable power P_R per tooth in mesh and per cm belt width (see table at belt page).

$$b[\text{mm}] = \frac{P \cdot C_{TOT} \cdot 10}{P_R \cdot z_m}$$

CALCULATION PARAMETERS

BELT SELECTION CHART

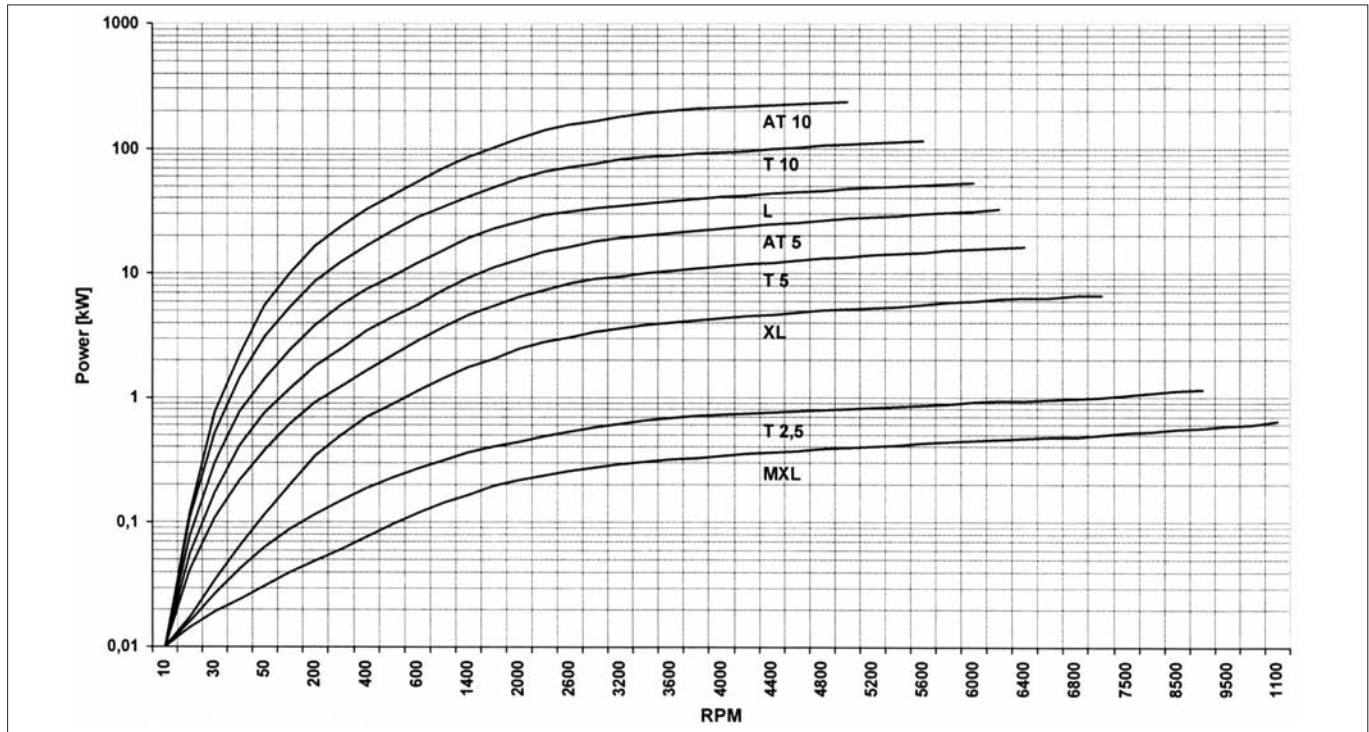


Table 1 - Load Factor C₃

| Driven Machine | Driver | | | Driven Machine | Driver | | |
|---------------------------------------|--------|--------|--------|-------------------------------------|--------|--------|--------|
| | Type A | Type B | Type C | | Type A | Type B | Type C |
| Office machinery | | | | Sawmill machinery | 1,4 | 1,6 | 1,8 |
| Typewriters | 1 | 1,1 | 1,2 | Brick machinery | | | |
| Computers, printers | 1,1 | 1,2 | 1,3 | Mixers | 1,4 | 1,6 | 1,8 |
| Teleprinters, photocopiers | 1,1 | 1,2 | 1,3 | Pug mills | 1,6 | 1,8 | 2 |
| Motion-picture projectors and cameras | 1 | 1,2 | 1,2 | Textile machinery | | | |
| Domestic machinery | | | | Spoolers and warping machines | 1,2 | 1,4 | 1,6 |
| Centrifuges | 1 | 1,1 | 1,2 | Spinning and twisting machines | 1,3 | 1,5 | 1,7 |
| Kitchen appliances, universal slicers | 1,1 | 1,2 | 1,3 | Paper machinery | | | |
| Sewing machines | | | | Agitators, calenders, driers | 1,2 | 1,4 | 1,6 |
| Domestic sewing machines | 1,1 | 1,2 | 1,3 | Pumps, beaters, pulpers | 1,4 | 1,6 | 1,8 |
| Industrial sewing machines | 1,2 | 1,3 | 1,4 | Printing machinery | | | |
| Laundry machinery | | | | Linotype machines, cutters, folders | 1,2 | 1,4 | 1,6 |
| Driers | 1,2 | 1,4 | 1,6 | Rotary presses | 1,3 | 1,5 | 1,7 |
| Washing machines | 1,4 | 1,6 | 1,8 | Screens | | | |
| Bakery machinery and dough mixers | 1,2 | 1,4 | 1,6 | Drum screens | 1,2 | 1,4 | 1,6 |
| Conveyors | | | | Vibrating screens | 1,3 | 1,5 | 1,7 |
| Light-duty belt conveyors | 1,1 | 1,2 | 1,3 | Fans, Blowers | | | |
| Belt conveyor for ore, coal, sand | 1,2 | 1,4 | 1,6 | Exhauster, radial blowers | 1,4 | 1,6 | 1,8 |
| Heavy duty conveyors | 1,4 | 1,6 | 1,8 | Mine ventilators, axial blowers | 1,6 | 1,8 | 2 |
| Elevators, screw conveyors | 1,4 | 1,6 | 1,8 | Compressors | | | |
| Bucket elevators | 1,4 | 1,6 | 1,8 | Helical compressors | 1,4 | 1,5 | 1,6 |
| Agitators | | | | Piston compressors | 1,6 | 1,8 | 2 |
| Mixers for liquids | 1,2 | 1,4 | 1,6 | Pumps | | | |
| Mixers for semi-liquids | 1,3 | 1,5 | 1,7 | Centrifugal and gear pumps | 1,2 | 1,4 | 1,6 |
| Machine tools | | | | Reciprocating pumps | 1,7 | 1,9 | 2,1 |
| Lathes | 1,2 | 1,4 | 1,6 | Generators and exciters | 1,4 | 1,6 | 1,8 |
| Drills and grinders | 1,3 | 1,5 | 1,7 | Elevators and hoists | 1,4 | 1,6 | 1,8 |
| Millers and planers | 1,3 | 1,5 | 1,7 | Centrifuges | 1,5 | 1,7 | 1,9 |
| Woodworking machinery | | | | Rubber machinery | 1,5 | 1,7 | 1,9 |
| Lathes and band saws | 1,2 | 1,3 | 1,5 | Mills | | | |
| Planers and disk saws | 1,2 | 1,4 | 1,6 | Hammer mills | 1,5 | 1,7 | 1,9 |
| | | | | Ball, roller and gravel mills | 1,7 | 1,9 | 2,1 |

Type A: electric motors with low starting torque (up to 1,5 times the rated torque).

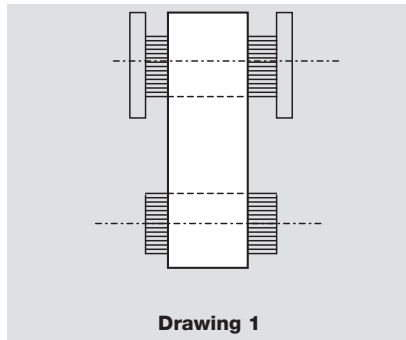
Type B: electric motors with normal starting torque (1,5 to 2,5 times the rated torque).

Type C: electric motors with high starting and breaking torque (over 2,5 times the related torque).

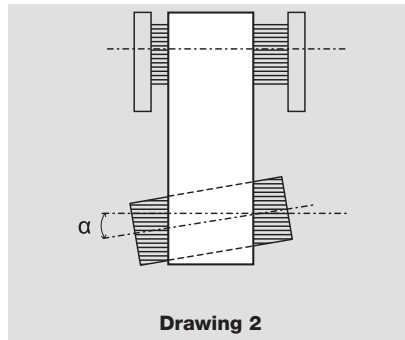
BELT INSTALLATION

For a correct system functioning and to increase belt life, it is necessary a correct pulley installation: pulleys has to be parallel and aligned as shown in drawing 1 (correct configuration).

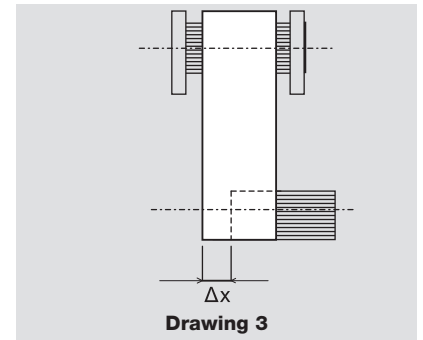
If pulleys are not parallel as in drawing 2, belt could fall during functioning and this can provoke damages to complete equipment. To grant a correct belt running, α and Δx must be as smaller as possible. For more information, please contact our technical staff.



Drawing 1



Drawing 2



Drawing 3

CALCULATION OF PRETENSION FORCE F_p

The pretension force is the load which has to be applied to the center of one of the driving system's pulleys in static conditions to avoid the derailing of the belt.

$$F_p = 2 \cdot F_v \cdot \sin \frac{\beta}{2}$$

For:

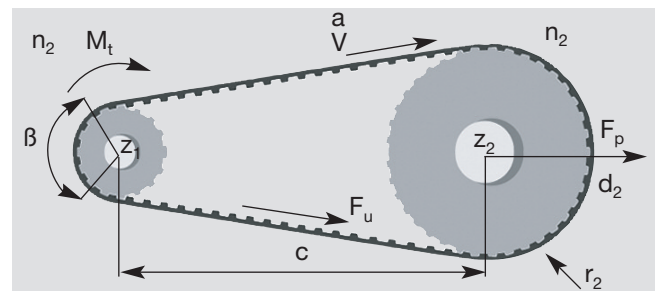
- $z < 60$ $F_v = \frac{1}{3} \cdot F_u$

- $60 < z < 150$ $F_v = \frac{1}{2} \cdot F_u$

- $z > 150$ $F_v = \frac{2}{3} \cdot F_u$

where

$$F_u = \frac{60 \cdot 10^6 \cdot P \cdot \sin \frac{\beta}{2}}{t \cdot n_1 \cdot z_1}$$



MEASURING PROCEDURE

The procedure to measure the tension of the belt is to use a Belt Tensioning Gauging Equipment. This device consists of a small sensing head which is held across the belt to be measured. The belt is then tapped to induce the belt to vibrate at its natural frequency. The vibrations are detected and the frequency of vibration is then displayed on the measuring unit.

The relation between belt static tension (T_s) and frequency of vibration (f) may be calculated using the following formula:

$$f = \frac{1}{2t} \cdot \sqrt{\frac{T_s}{m}} \quad \text{or} \quad T_s = 4 \cdot m \cdot t^2 \cdot f^2$$

| | |
|--|---|
| m = belt mass per unit length (kg/m) | t = free belt span length in meters (m) |
| T_s = static tension (N) | f = frequency of vibration (Hz) |



CAUSES OF BELT FAILURE

To ensure that the performance and durability of a toothed belt drive will fully meet requirements of a particular application, it is necessary firstly to accurately select the drive and then to make sure the drive is correctly installed. If this procedure is not followed, the drive life and efficiency may be considerably reduced. The most frequent problems encountered and their probable causes are listed in the table below.

| Problems | Causes | Corrective actions |
|---|--|--|
| Abnormal wear of the belt: a) on the side of the tooth | Belt excessively taut | Reduce centre distance |
| | Excessive overloading | Use a wider belt |
| | Incorrect contour or diameter of pulley | Replace pulley after checking contour or diameter |
| b) on the bottom of the tooth | Excessive installation tension | Reduce centre distance |
| c) at the tooth root | Incorrect diameter of pulley | Replace pulley after checking diameter |
| d) on the side of the belt | Incorrect contour or diameter of pulley | Replace pulley after checking contour or diameter |
| | Misalignment or wrong setting of pulleys | Replace pulley after checking contour or diameter |
| | Oscillation of the axes and/or of the bearings | Correct the positioning of the pulleys and reinforce the bearings |
| | Flanges bent | Straighten flanges |
| Failure through traction or through laceration of the teeth, indicating corrosion of the tension member | Diameter of small pulley i.e. below the minimum | Increase the diameter of the pulleys or use belts and pulleys of smaller pitch |
| | Excessive moisture | Eliminate the moisture |
| Laceration of belt teeth | Number of teeth in mesh less than six | Increase the number of teeth in mesh or use belts and pulleys of smaller pitch |
| | Excessive load | Use a wider belt |
| Rupture of tension member | Excessive load | Use a wider belt |
| | Diameter of pulley below minimum | Increase the diameter of the pulleys |
| Breaks or cracks in the top surface of the belt | Exposure to excessively low temperatures (below -25°C) | Eliminate the low temperature |
| Softening of the top surface of the belt | Exposure to excessively high temperatures (below $+85^{\circ}\text{C}$) or operation with excessive amount of oil present | Eliminate the high temperature or reduce the amount of oil present |
| Apparent elongation of the belt | Reduction of centre distance due to bearings not being firmly fixed | Restore the initial centre distance and strengthen the bearings |
| Belt overriding the flanges | Faulty installation of the flanges | Reinstall the flanges correctly |
| | Misalignment of pulleys | Align pulleys |
| Excessive wear of pulley teeth | Excessive overloading | Use a wider belt |
| | Belt excessively taut | Reduce the centre distance |
| | Pulley material insufficiently hard | Harden the pulley surface |
| Drive excessively noisy | Pulleys out of line | Align pulleys |
| | Excessive installation tension | Reduce the centre distance |
| | Excessive load | Use a wider belt |
| | Diameter of pulley below minimum | Increase the diameter of the pulleys |

MEGAPOWER MXL

BELT CHARACTERISTICS

| | | | |
|-----------------------------|-------------------|-------------------|-------------------|
| BELT WIDTH (mm) | 3,2 (012") | 4,8 (019") | 6,4 (025") |
| PULLEY WIDTH B2 (mm) | 5,6 | 7,1 | 8,9 |
| BELT WEIGHT (gr/cm) | 0,035 | 0,053 | 0,073 |

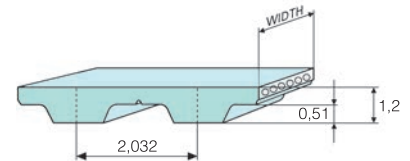
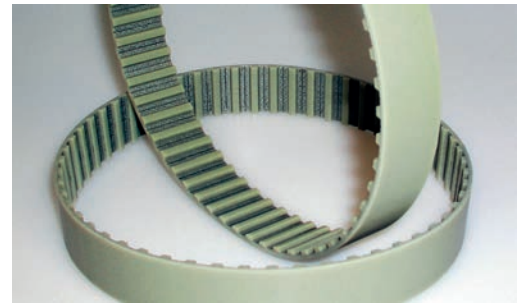
Standard compound: **Thermoset PU 88 ShA grey/green**

Standard cords: **Twisted Zinked Steel**

Standard width tolerance: **+ 0,50 / - 0,80 mm**

Standard thickness tolerance: **+/- 0,20 mm**

Special version belts on request, **see page 21**



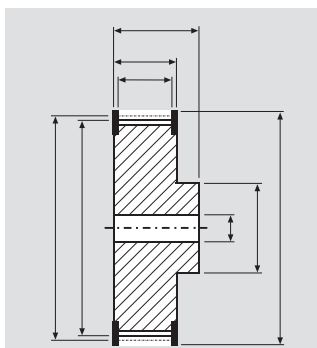
BELT LENGTHS AND TOLERANCES (according ISO 5296-1)

| | | | | | | | | | | | | | | | | |
|------------------------------|-------------|--------------|--------------|------------|-------------|--------------|--------------|--------------|--------------|-------------|-------------|--------------|--------------|--------------|-------------|------------|
| Code | 44 | 45,6 | 48 | 56 | 57,6 | 60 | 60,8 | 63,2 | 64 | 65,6 | 70,4 | 72,8 | 73,6 | 76,8 | 80,8 | |
| Length (mm) | 111,7 | 115,8 | 121,9 | 142,2 | 146,3 | 152,4 | 154,4 | 160,5 | 162,5 | 166,6 | 178,8 | 184,9 | 186,9 | 195,1 | 205,2 | |
| No. of teeth | 55 | 57 | 60 | 70 | 72 | 75 | 76 | 79 | 80 | 82 | 88 | 91 | 92 | 96 | 101 | |
| Length tolerance (mm) | +/- 0,28 | | | | | | | | | | | | | | | |
| Code | 81,6 | 82,4 | 84 | 88 | 91,2 | 94,4 | 96 | 104 | 105,6 | 108 | 112 | 116 | 120 | 124 | 140 | 152 |
| Length (mm) | 207,2 | 209,2 | 213,3 | 223,5 | 231,6 | 239,7 | 243,8 | 264,1 | 268,2 | 274,3 | 284,4 | 294,6 | 304,8 | 314,9 | 355,6 | 386,1 |
| No. of teeth | 102 | 103 | 105 | 110 | 114 | 118 | 120 | 130 | 132 | 135 | 140 | 145 | 150 | 155 | 175 | 190 |
| Length tolerance (mm) | +/- 0,32 | | | | | | | | | | | | | | | |
| Code | 160 | 176,8 | 204,8 | 224 | 228 | 246,4 | 265,6 | 281,6 | 288 | 316 | 324 | 329,6 | 345,6 | 363,2 | 388 | |
| Length (mm) | 406,4 | 449,1 | 520,1 | 568,9 | 579,1 | 625,8 | 674,6 | 715,2 | 731,5 | 802,6 | 822,9 | 837,1 | 877,8 | 922,5 | 985,5 | |
| No. of teeth | 200 | 221 | 256 | 280 | 285 | 308 | 332 | 352 | 360 | 395 | 405 | 412 | 432 | 454 | 485 | |
| Length tolerance (mm) | +/- 0,36 | | +/- 0,42 | | | +/- 0,48 | | | +/- 0,56 | | | | | | | |

TRANSMITTABLE POWER (kW/cm of tooth in mesh)

| n/z | 10 | 12 | 14 | 16 | 18 | 20 | 24 | 26 | 28 | 30 | 32 | 36 | 40 |
|-------------|---------|---------|---------|---------|---------|---------|---------|---------|---------|---------|---------|---------|---------|
| 600 | 0,00137 | 0,00164 | 0,00191 | 0,00218 | 0,00246 | 0,00273 | 0,00328 | 0,00355 | 0,00382 | 0,00410 | 0,00437 | 0,00491 | 0,00546 |
| 800 | 0,00172 | 0,00206 | 0,00240 | 0,00275 | 0,00309 | 0,00343 | 0,00412 | 0,00446 | 0,00481 | 0,00515 | 0,00549 | 0,00618 | 0,00686 |
| 1000 | 0,00204 | 0,00245 | 0,00286 | 0,00327 | 0,00368 | 0,00409 | 0,00491 | 0,00532 | 0,00573 | 0,00613 | 0,00654 | 0,00736 | 0,00818 |
| 1400 | 0,00265 | 0,00318 | 0,00371 | 0,00424 | 0,00477 | 0,00530 | 0,00636 | 0,00689 | 0,00742 | 0,00795 | 0,00848 | 0,00954 | 0,01060 |
| 1800 | 0,00320 | 0,00384 | 0,00448 | 0,00513 | 0,00577 | 0,00641 | 0,00769 | 0,00833 | 0,00897 | 0,00961 | 0,01025 | 0,01153 | 0,01281 |
| 2000 | 0,00346 | 0,00416 | 0,00485 | 0,00554 | 0,00624 | 0,00693 | 0,00831 | 0,00901 | 0,00970 | 0,01039 | 0,01109 | 0,01247 | 0,01386 |
| 3000 | 0,00465 | 0,00558 | 0,00651 | 0,00744 | 0,00837 | 0,00930 | 0,01115 | 0,01208 | 0,01301 | 0,01394 | 0,01487 | 0,01673 | 0,01859 |
| 4000 | 0,00568 | 0,00681 | 0,00795 | 0,00908 | 0,01022 | 0,01136 | 0,01363 | 0,01476 | 0,01590 | 0,01703 | 0,01817 | 0,02044 | 0,02271 |
| 5000 | 0,00659 | 0,00791 | 0,00923 | 0,01055 | 0,01187 | 0,01319 | 0,01583 | 0,01715 | 0,01846 | 0,01978 | 0,02110 | 0,02374 | 0,02638 |
| 8000 | 0,00886 | 0,01063 | 0,01240 | 0,01417 | 0,01594 | 0,01771 | 0,02125 | 0,02302 | 0,02480 | 0,02657 | 0,02834 | 0,03188 | 0,03542 |

PULLEYS (for more details see our pulleys catalogue)



| No. teeth | Dp | De | No. teeth | Dp | De |
|-----------|-------|-------|-----------|-------|-------|
| 10 | 6,47 | 5,96 | 26 | 16,81 | 16,30 |
| 12 | 7,76 | 7,25 | 28 | 18,11 | 17,60 |
| 13 | 8,41 | 7,90 | 30 | 19,40 | 18,89 |
| 14 | 9,06 | 8,55 | 32 | 20,70 | 20,19 |
| 15 | 9,70 | 9,19 | 34 | 21,99 | 21,48 |
| 16 | 10,35 | 9,84 | 36 | 23,29 | 22,78 |
| 17 | 11,00 | 10,49 | 40 | 25,87 | 25,36 |
| 18 | 11,64 | 11,13 | 42 | 27,17 | 26,66 |
| 19 | 12,29 | 11,78 | 44 | 28,46 | 27,95 |
| 20 | 12,94 | 12,43 | 48 | 31,05 | 30,54 |
| 21 | 13,58 | 13,07 | 60 | 38,81 | 38,30 |
| 22 | 14,23 | 13,72 | 65 | 42,04 | 41,53 |
| 24 | 15,52 | 15,01 | 72 | 46,57 | 46,06 |

BELT CHARACTERISTICS

| | | | |
|-----------------------------|-------------------|-------------------|-------------------|
| BELT WIDTH (mm) | 6,4 (025") | 7,9 (031") | 9,4 (037") |
| PULLEY WIDTH B2 (mm) | 8,9 | 10,4 | 12,2 |
| BELT WEIGHT (gr/cm) | 0,121 | 0,153 | 0,182 |

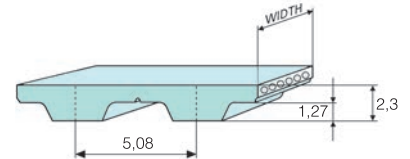
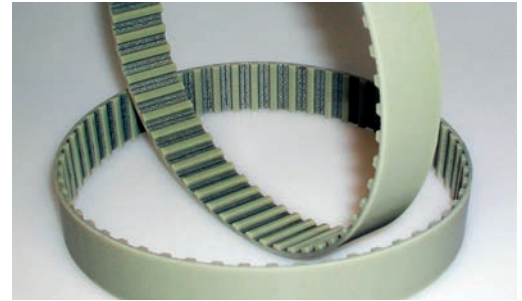
Standard compound: **Thermoset PU 88 ShA grey/green**

Standard cords: **Twisted Zinked Steel**

Standard width tolerance: **+ 0,50 / - 0,80 mm**

Standard thickness tolerance: **+/- 0,25 mm**

Special version belts on request, **see page 21**



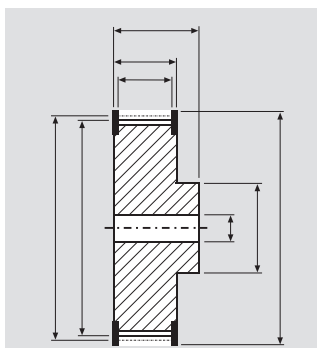
BELT LENGTHS AND TOLERANCES (according ISO 5296-1)

| | | | | | | | | | | | | | | | | | |
|------------------------------|------------|------------|------------|------------|------------|------------|------------|------------|------------|------------|------------|------------|------------|------------|------------|------------|------------|
| Code | 60 | 70 | 76 | 80 | 90 | 100 | 110 | 120 | 130 | 134 | 140 | 150 | 160 | | | | |
| Length (mm) | 152,4 | 177,8 | 193 | 230,2 | 228,6 | 254 | 279,4 | 304,8 | 330,2 | 340,3 | 355,6 | 381 | 406,4 | | | | |
| No. of teeth | 30 | 35 | 38 | 40 | 45 | 50 | 55 | 60 | 65 | 67 | 70 | 75 | 80 | | | | |
| Length tolerance (mm) | +/- 0,28 | | | | | | +/- 0,32 | | | +/- 0,36 | | | | | | | |
| Code | 170 | 180 | 190 | 194 | 200 | 210 | 220 | 230 | 240 | 250 | 260 | 270 | 288 | 290 | 300 | 356 | 414 |
| Length (mm) | 431,8 | 457,2 | 482,6 | 492,7 | 508 | 533,4 | 558,8 | 584,2 | 609,6 | 635 | 660,4 | 685,8 | 731,5 | 736,6 | 762 | 904,2 | 1051,5 |
| No. of teeth | 85 | 90 | 95 | 97 | 100 | 105 | 110 | 115 | 120 | 125 | 130 | 135 | 144 | 145 | 150 | 178 | 207 |
| Length tolerance (mm) | +/- 0,36 | | | +/- 0,42 | | | | | +/- 0,48 | | | | +/- 0,56 | | +/- 0,64 | | |
| Code | 450 | 566 | | | | | | | | | | | | | | | |
| Length (mm) | 1143 | 1437,6 | | | | | | | | | | | | | | | |
| No. of teeth | 225 | 283 | | | | | | | | | | | | | | | |
| Length tolerance (mm) | +/- 0,64 | +/- 0,76 | | | | | | | | | | | | | | | |

TRANSMITTABLE POWER (kW/cm of tooth in mesh)

| n/z | 10 | 12 | 14 | 16 | 18 | 20 | 24 | 28 | 32 | 40 | 48 | 60 | 72 |
|------|--------|--------|--------|--------|--------|--------|--------|--------|--------|--------|--------|--------|--------|
| 100 | 0,0016 | 0,0019 | 0,0022 | 0,0026 | 0,0029 | 0,0032 | 0,0038 | 0,0045 | 0,0051 | 0,0064 | 0,0077 | 0,0096 | 0,0115 |
| 200 | 0,0029 | 0,0035 | 0,0041 | 0,0047 | 0,0053 | 0,0059 | 0,0070 | 0,0082 | 0,0094 | 0,0117 | 0,0141 | 0,0176 | 0,0211 |
| 600 | 0,0075 | 0,0091 | 0,0106 | 0,0121 | 0,0136 | 0,0151 | 0,0181 | 0,0211 | 0,0241 | 0,0302 | 0,0362 | 0,0453 | 0,0543 |
| 1000 | 0,0116 | 0,0139 | 0,0162 | 0,0186 | 0,0209 | 0,0232 | 0,0278 | 0,0325 | 0,0371 | 0,0464 | 0,0557 | 0,0696 | 0,0835 |
| 1500 | 0,0162 | 0,0195 | 0,0227 | 0,0260 | 0,0292 | 0,0325 | 0,0390 | 0,0455 | 0,0520 | 0,0650 | 0,0780 | 0,0975 | 0,1170 |
| 2000 | 0,0206 | 0,0247 | 0,0288 | 0,0329 | 0,0370 | 0,0411 | 0,0494 | 0,0576 | 0,0658 | 0,0823 | 0,0988 | 0,1234 | 0,1481 |
| 3000 | 0,0286 | 0,0343 | 0,0400 | 0,0457 | 0,0514 | 0,0571 | 0,0685 | 0,0799 | 0,0914 | 0,1142 | 0,1370 | 0,1713 | 0,2056 |
| 4000 | 0,0359 | 0,0431 | 0,0502 | 0,0574 | 0,0646 | 0,0718 | 0,0861 | 0,1005 | 0,1148 | 0,1435 | 0,1722 | 0,2153 | 0,2584 |
| 5000 | 0,0427 | 0,0513 | 0,0598 | 0,0684 | 0,0769 | 0,0855 | 0,1026 | 0,1197 | 0,1368 | 0,1710 | 0,2051 | 0,2564 | 0,3077 |
| 8000 | 0,0612 | 0,0735 | 0,0857 | 0,0980 | 0,1102 | 0,1225 | 0,1470 | 0,1715 | 0,1960 | 0,2450 | 0,2940 | 0,3675 | 0,4410 |

PULLEYS (for more details see our pulleys catalogue)



| No. teeth | Dp | De | No. teeth | Dp | De |
|-----------|-------|-------|-----------|--------|--------|
| 10 | 16,17 | 15,66 | 26 | 42,04 | 41,53 |
| 11 | 17,79 | 17,28 | 28 | 45,28 | 44,77 |
| 12 | 19,40 | 18,89 | 30 | 48,51 | 48,00 |
| 13 | 21,02 | 20,51 | 32 | 51,74 | 51,23 |
| 14 | 22,64 | 22,13 | 36 | 58,21 | 57,70 |
| 15 | 24,26 | 23,75 | 40 | 64,68 | 64,17 |
| 16 | 25,87 | 25,36 | 42 | 67,91 | 67,40 |
| 17 | 27,49 | 26,98 | 44 | 71,15 | 70,64 |
| 18 | 29,11 | 28,60 | 48 | 77,62 | 77,11 |
| 20 | 32,34 | 31,83 | 56 | 90,55 | 90,04 |
| 22 | 35,57 | 35,07 | 60 | 97,02 | 96,51 |
| 24 | 38,81 | 38,30 | 72 | 116,43 | 115,92 |

MEGAPOWER L

BELT CHARACTERISTICS

| | | | |
|-----------------------------|--------------------|--------------------|--------------------|
| BELT WIDTH (mm) | 12,7 (050") | 19,1 (075") | 25,4 (100") |
| PULLEY WIDTH B2 (mm) | 19 | 25,4 | 29,7 |
| BELT WEIGHT (gr/cm) | 0,437 | 0,661 | 0,878 |

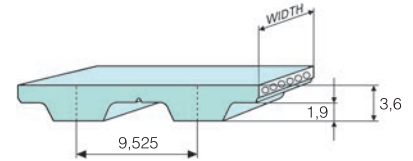
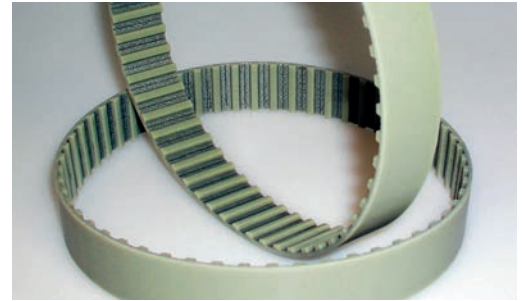
Standard compound: **Thermoset PU 88 ShA grey/green**

Standard cords: **Twisted Zinked Steel**

Standard width tolerance: **+/- 0,80 mm**

Standard thickness tolerance: **+/- 0,30 mm**

Special version belts on request, **see page 21**



BELT LENGTHS AND TOLERANCES (according ISO 5296-1)

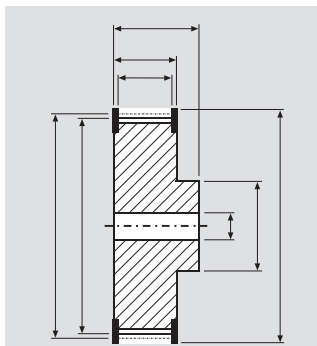
| | | | | | | | | | | | | | | | | |
|------------------------------|-----------|------------|------------|------------|------------|------------|------------|------------|------------|------------|------------|------------|------------|------------|------------|------------|
| Code | 86 | 124 | 150 | 173 | 187 | 202 | 210 | 225 | 240 | 255 | 270 | 285 | 300 | 322 | 345 | 367 |
| Length (mm) | 218,6 | 314,3 | 381 | 438,2 | 476,2 | 514,4 | 533,4 | 571,5 | 609,6 | 647,7 | 685,8 | 723,9 | 762 | 819,2 | 876,3 | 933,4 |
| No. of teeth | 23 | 33 | 40 | 46 | 50 | 54 | 56 | 60 | 64 | 68 | 72 | 76 | 80 | 86 | 92 | 98 |
| Length tolerance (mm) | +/- 0,28 | | +/- 0,32 | | +/- 0,36 | | | +/- 0,42 | | | +/- 0,48 | | | +/- 0,56 | | |

| | | | | | | | | |
|------------------------------|------------|------------|------------|------------|------------|------------|------------|------------|
| Code | 390 | 420 | 450 | 480 | 510 | 540 | 570 | 600 |
| Length (mm) | 990,6 | 1066,8 | 1143 | 1219,2 | 1295,4 | 1371,6 | 1447,8 | 1524 |
| No. of teeth | 104 | 112 | 120 | 128 | 136 | 144 | 152 | 160 |
| Length tolerance (mm) | +/- 0,64 | | | | +/- 0,76 | | | |

TRANSMITTABLE POWER (kW/cm of tooth in mesh)

| n/z | 10 | 12 | 14 | 16 | 18 | 20 | 22 | 24 | 28 | 30 | 32 | 36 | 40 |
|-------------|--------|--------|--------|--------|--------|--------|--------|--------|--------|--------|--------|--------|--------|
| 100 | 0,0050 | 0,0060 | 0,0070 | 0,0079 | 0,0089 | 0,0099 | 0,0109 | 0,0119 | 0,0139 | 0,0149 | 0,0159 | 0,0179 | 0,0199 |
| 200 | 0,0089 | 0,0107 | 0,0125 | 0,0143 | 0,0161 | 0,0178 | 0,0196 | 0,0214 | 0,0250 | 0,0268 | 0,0285 | 0,0321 | 0,0357 |
| 600 | 0,0219 | 0,0263 | 0,0307 | 0,0351 | 0,0394 | 0,0438 | 0,0482 | 0,0526 | 0,0530 | 0,0568 | 0,0606 | 0,0681 | 0,0757 |
| 1000 | 0,0328 | 0,0393 | 0,0459 | 0,0524 | 0,0590 | 0,0655 | 0,0721 | 0,0786 | 0,0917 | 0,0983 | 0,1048 | 0,1179 | 0,1311 |
| 1500 | 0,0447 | 0,0536 | 0,0625 | 0,0715 | 0,0804 | 0,0894 | 0,0983 | 0,1072 | 0,1251 | 0,1340 | 0,1430 | 0,1608 | 0,1787 |
| 2000 | 0,0553 | 0,0664 | 0,0775 | 0,0885 | 0,0996 | 0,1107 | 0,1218 | 0,1328 | 0,1550 | 0,1660 | 0,1771 | 0,1992 | 0,2214 |
| 3000 | 0,0741 | 0,0889 | 0,1037 | 0,1185 | 0,1333 | 0,1482 | 0,1630 | 0,1778 | 0,2074 | 0,2222 | 0,2370 | 0,2667 | 0,2963 |
| 4000 | 0,0903 | 0,1084 | 0,1264 | 0,1445 | 0,1626 | 0,1806 | 0,1987 | 0,2168 | 0,2529 | 0,2709 | 0,2890 | 0,3251 | 0,3613 |
| 5000 | 0,1047 | 0,1256 | 0,1466 | 0,1675 | 0,1885 | 0,2094 | 0,2303 | 0,2513 | 0,2932 | 0,3141 | 0,3350 | 0,3769 | 0,4188 |
| 8000 | 0,1399 | 0,1679 | 0,1958 | 0,2238 | 0,2518 | 0,2798 | 0,3078 | 0,3357 | 0,3917 | 0,4197 | 0,4477 | 0,5036 | 0,5596 |

PULLEYS (for more details see our pulleys catalogue)



| No. teeth | Dp | De | No. teeth | Dp | De |
|-----------|-------|-------|-----------|--------|--------|
| 10 | 30,32 | 29,56 | 30 | 90,96 | 90,20 |
| 11 | 33,35 | 32,59 | 32 | 97,02 | 96,26 |
| 12 | 36,38 | 35,62 | 34 | 103,08 | 102,32 |
| 13 | 39,41 | 38,65 | 36 | 109,15 | 108,39 |
| 14 | 42,45 | 41,69 | 40 | 121,28 | 120,52 |
| 16 | 48,51 | 47,75 | 42 | 127,34 | 126,58 |
| 18 | 54,57 | 53,81 | 44 | 133,40 | 132,64 |
| 20 | 60,64 | 59,88 | 48 | 145,53 | 144,76 |
| 22 | 66,70 | 65,94 | 52 | 157,66 | 156,90 |
| 24 | 72,77 | 72,01 | 56 | 169,79 | 169,03 |
| 26 | 78,83 | 78,07 | 60 | 181,91 | 181,15 |
| 28 | 84,89 | 84,13 | 72 | 218,30 | 217,54 |

BELT CHARACTERISTICS

| | | | | | |
|-----------------------------|--------------------|--------------------|--------------------|--------------------|--------------------|
| BELT WIDTH (mm) | 19,1 (075") | 25,4 (100") | 38,1 (150") | 50,8 (200") | 76,2 (300") |
| PULLEY WIDTH B2 (mm) | 25,4 | 29,7 | 46 | 59 | 85 |
| BELT WEIGHT (gr/cm) | 0,745 | 1,059 | 1,594 | 2,121 | 3,194 |

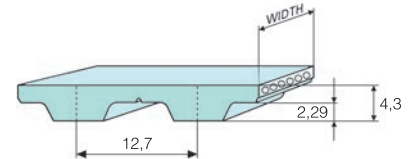
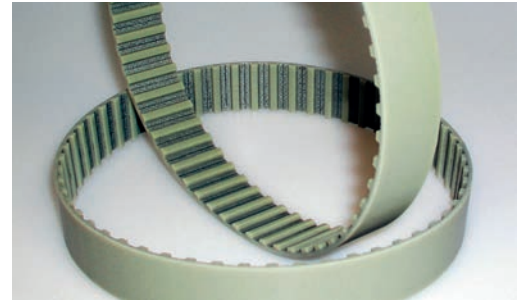
Standard compound: **Thermoset PU 88 ShA grey/green**

Standard cords: **Twisted Zinked Steel**

Standard width tolerance: **+/- 0,80 mm**

Standard thickness tolerance: **+/- 0,30 mm**

Special version belts on request, **see page 21**



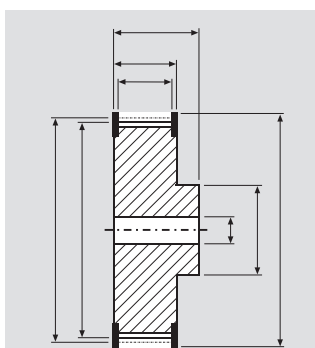
BELT LENGTHS AND TOLERANCES (according ISO 5296-1)

| Code | 230 | 240 | 270 | 300 | 330 | 360 | 390 | 420 | 450 | 480 | 510 |
|------------------------------|----------|-------|----------|-----|----------|-------|-------|----------|------|----------|--------|
| Length (mm) | 584,2 | 609,6 | 685,8 | 762 | 838,2 | 914,4 | 990,6 | 1066,8 | 1143 | 1219,2 | 1295,4 |
| No. of teeth | 46 | 48 | 54 | 60 | 66 | 72 | 78 | 84 | 90 | 96 | 102 |
| Length tolerance (mm) | +/- 0,42 | | +/- 0,56 | | +/- 0,64 | | | +/- 0,76 | | +/- 0,88 | |

TRANSMITTABLE POWER (kW/cm of tooth in mesh)

| n/z | 14 | 16 | 18 | 20 | 22 | 24 | 26 | 28 | 30 | 32 | 36 | 40 | 44 |
|-------------|--------|--------|--------|--------|--------|--------|--------|--------|--------|--------|--------|--------|--------|
| 100 | 0,0128 | 0,0142 | 0,0163 | 0,0185 | 0,0199 | 0,0213 | 0,0234 | 0,0255 | 0,0277 | 0,0293 | 0,0341 | 0,0362 | 0,0394 |
| 200 | 0,0229 | 0,0255 | 0,0293 | 0,0331 | 0,0357 | 0,0382 | 0,0421 | 0,0459 | 0,0497 | 0,0526 | 0,0611 | 0,0650 | 0,0709 |
| 600 | 0,0563 | 0,0626 | 0,0720 | 0,0814 | 0,0876 | 0,0939 | 0,1033 | 0,1127 | 0,1221 | 0,1291 | 0,1502 | 0,1596 | 0,1741 |
| 1000 | 0,0842 | 0,0936 | 0,1077 | 0,1217 | 0,1311 | 0,1404 | 0,1545 | 0,1685 | 0,1826 | 0,1931 | 0,2247 | 0,2387 | 0,2603 |
| 1500 | 0,1149 | 0,1276 | 0,1468 | 0,1659 | 0,1787 | 0,1915 | 0,2107 | 0,2298 | 0,2490 | 0,2633 | 0,3064 | 0,3256 | 0,3550 |
| 2000 | 0,1423 | 0,1581 | 0,1818 | 0,2056 | 0,2214 | 0,2372 | 0,2609 | 0,2846 | 0,3084 | 0,3262 | 0,3795 | 0,4032 | 0,4397 |
| 3000 | 0,1905 | 0,2116 | 0,2434 | 0,2751 | 0,2963 | 0,3175 | 0,3493 | 0,3810 | 0,4128 | 0,4366 | 0,5080 | 0,5398 | 0,5886 |
| 4000 | 0,2322 | 0,2580 | 0,2968 | 0,3355 | 0,3613 | 0,3871 | 0,4258 | 0,4645 | 0,5032 | 0,5322 | 0,6193 | 0,6580 | 0,7176 |
| 5000 | 0,2692 | 0,2991 | 0,3440 | 0,3889 | 0,4188 | 0,4487 | 0,4936 | 0,5384 | 0,5833 | 0,6170 | 0,7179 | 0,7628 | 0,8319 |
| 8000 | 0,3597 | 0,3997 | 0,4597 | 0,5196 | 0,5596 | 0,5995 | 0,6595 | 0,7194 | 0,7794 | | | | |

PULLEYS (for more details see our pulleys catalogue)



| No. teeth | Dp | De | No. teeth | Dp | De |
|-----------|--------|--------|-----------|--------|--------|
| 14 | 56.60 | 55.23 | 30 | 121.28 | 119.91 |
| 15 | 60.64 | 59.27 | 32 | 129.36 | 127.99 |
| 16 | 64.68 | 63.31 | 34 | 137.45 | 136.08 |
| 18 | 72.77 | 71.40 | 36 | 145.53 | 144.16 |
| 20 | 80.85 | 79.48 | 38 | 153.62 | 152.25 |
| 21 | 84.89 | 83.52 | 40 | 161.70 | 160.33 |
| 22 | 88.94 | 87.57 | 44 | 177.87 | 176.50 |
| 23 | 92.98 | 91.61 | 48 | 194.04 | 192.67 |
| 24 | 97.02 | 95.65 | 52 | 210.21 | 208.84 |
| 25 | 101.06 | 99.69 | 58 | 234.47 | 233.10 |
| 26 | 105.11 | 103.74 | 60 | 242.55 | 241.18 |
| 28 | 113.19 | 111.82 | 72 | 291.06 | 289.69 |

MEGAPOWER T2,5

BELT CHARACTERISTICS

| | | | | | |
|-----------------------------|----------|----------|----------|-----------|-----------|
| BELT WIDTH (mm) | 4 | 6 | 8 | 10 | 12 |
| PULLEY WIDTH B2 (mm) | 8 | 10 | 12 | 14 | 16 |
| BELT WEIGHT (gr/cm) | 0,046 | 0,070 | 0,093 | 0,120 | 0,143 |

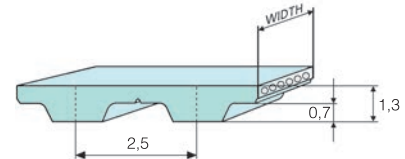
Standard compound: **Thermoset PU 88 ShA grey/green**

Standard cords: **Twisted Zinked Steel**

Standard width tolerance: **+/- 0,30 mm**

Standard thickness tolerance: **+/- 0,15 mm**

Special version belts on request, **see page 21**



BELT LENGTHS AND TOLERANCES (according DIN 7721-1)

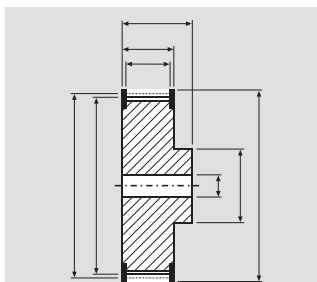
| | | | | | | | | | | | | | | | | | | | |
|------------------------------|------------|------------|------------|--------------|------------|--------------|------------|------------|------------|------------|------------|--------------|------------|------------|------------|--------------|------------|--------------|------------|
| Length (mm) | 120 | 145 | 160 | 177,5 | 180 | 182,5 | 200 | 210 | 230 | 245 | 265 | 277,5 | 285 | 290 | 305 | 317,5 | 330 | 342,5 | 380 |
| No. of teeth | 48 | 58 | 64 | 71 | 72 | 73 | 80 | 84 | 92 | 98 | 106 | 111 | 114 | 116 | 122 | 127 | 132 | 137 | 152 |
| Length tolerance (mm) | +/- 0,28 | | | | | | | | | | | | | | | +/- 0,32 | | | |

| | | | | | | | | | | | | | | |
|------------------------------|------------|------------|------------|------------|------------|------------|------------|------------|------------|------------|------------|------------|------------|-------------|
| Length (mm) | 420 | 480 | 500 | 540 | 600 | 620 | 650 | 680 | 700 | 780 | 880 | 915 | 950 | 1185 |
| No. of teeth | 168 | 192 | 200 | 216 | 240 | 248 | 260 | 272 | 280 | 312 | 352 | 366 | 380 | 474 |
| Length tolerance (mm) | +/- 0,36 | | +/- 0,42 | | +/- 0,48 | | +/- 0,56 | | +/- 0,64 | | | | | |

TRANSMITTABLE POWER (kW/cm of tooth in mesh)

| n\z | 10 | 12 | 14 | 16 | 18 | 20 | 22 | 24 | 26 | 28 | 30 | 36 | 40 |
|------|---------|---------|---------|---------|---------|---------|---------|---------|---------|---------|---------|---------|---------|
| 600 | 0,00195 | 0,00234 | 0,00273 | 0,00312 | 0,00351 | 0,00390 | 0,00429 | 0,00468 | 0,00507 | 0,00546 | 0,00585 | 0,00702 | 0,0078 |
| 800 | 0,00245 | 0,00294 | 0,00343 | 0,00392 | 0,00441 | 0,00490 | 0,00539 | 0,00588 | 0,00637 | 0,00686 | 0,00736 | 0,00883 | 0,00981 |
| 1000 | 0,00292 | 0,00351 | 0,00409 | 0,00467 | 0,00526 | 0,00580 | 0,00642 | 0,00700 | 0,00759 | 0,00817 | 0,00877 | 0,01052 | 0,01169 |
| 1400 | 0,00379 | 0,00454 | 0,00530 | 0,00606 | 0,00681 | 0,00757 | 0,00833 | 0,00909 | 0,00984 | 0,01060 | 0,01136 | 0,01363 | 0,01514 |
| 1600 | 0,00419 | 0,00503 | 0,00586 | 0,00670 | 0,00754 | 0,00838 | 0,00922 | 0,01005 | 0,01089 | 0,01173 | 0,01257 | 0,01508 | 0,01676 |
| 2000 | 0,00495 | 0,00594 | 0,00693 | 0,00792 | 0,00891 | 0,00990 | 0,01089 | 0,01188 | 0,01287 | 0,01386 | 0,01485 | 0,01782 | 0,01980 |
| 3000 | 0,00664 | 0,00797 | 0,00930 | 0,01062 | 0,01195 | 0,01328 | 0,01461 | 0,01594 | 0,01726 | 0,01859 | 0,01992 | 0,02390 | 0,02656 |
| 4000 | 0,00811 | 0,00973 | 0,01136 | 0,01298 | 0,01460 | 0,01622 | 0,01785 | 0,01947 | 0,02109 | 0,02271 | 0,02433 | 0,02920 | 0,03245 |
| 5000 | 0,00942 | 0,01130 | 0,01319 | 0,01507 | 0,01696 | 0,01884 | 0,02073 | 0,02261 | 0,02449 | 0,02638 | 0,02826 | 0,03391 | 0,03768 |
| 8000 | 0,01265 | 0,01518 | 0,01771 | 0,02024 | 0,02277 | 0,02530 | 0,02783 | 0,03036 | 0,03289 | 0,03542 | 0,03795 | 0,04554 | 0,05060 |

PULLEYS (for more details see our pulleys catalogue)



| No. teeth | Dp | De | No. teeth | Dp | De |
|-----------|-------|-------|-----------|-------|-------|
| 10 | 7,96 | 7,45 | 22 | 17,51 | 17,00 |
| 11 | 8,75 | 8,25 | 24 | 19,10 | 18,55 |
| 12 | 9,55 | 9,00 | 26 | 20,69 | 20,15 |
| 13 | 10,34 | 9,80 | 28 | 22,28 | 21,75 |
| 14 | 11,14 | 10,60 | 30 | 23,87 | 23,35 |
| 15 | 11,94 | 11,40 | 32 | 25,46 | 24,45 |
| 16 | 12,73 | 12,20 | 36 | 28,65 | 28,10 |
| 17 | 13,53 | 13,00 | 40 | 31,83 | 31,30 |
| 18 | 14,32 | 13,80 | 44 | 35,01 | 34,50 |
| 19 | 15,12 | 14,60 | 48 | 38,20 | 37,70 |
| 20 | 15,92 | 15,40 | 60 | 47,75 | 47,25 |
| 21 | 16,71 | 16,20 | 72 | 57,30 | 55,20 |

BELT CHARACTERISTICS

| | | | | | | | |
|-----------------------------|----------|----------|-----------|-----------|-----------|-----------|-----------|
| BELT WIDTH (mm) | 6 | 8 | 10 | 12 | 16 | 20 | 25 |
| PULLEY WIDTH B2 (mm) | 12 | 13 | 15 | 17 | 21 | 25 | 30 |
| BELT WEIGHT (gr/cm) | 0,116 | 0,152 | 0,194 | 0,237 | 0,249 | 0,390 | 0,497 |

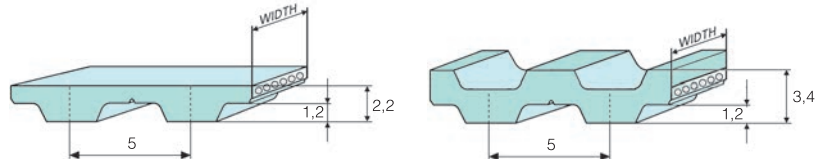
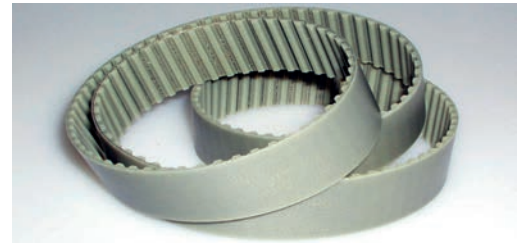
Standard compound: **Thermoset PU 88 ShA grey/green**

Standard cords: **Twisted Zinked Steel**

Standard width tolerance: **+/- 0,50 mm**

Standard thickness tolerance: **+/- 0,15 mm**

Special version belts on request, **see page 21**



BELT LENGTHS AND TOLERANCES (according DIN 7721-1)

| | | | | | | | | | | | | | | | | | | | | | | | |
|------------------------------|-------------|-------------|-------------|-------------|------------|------------|------------|------------|------------|-------------|-------------|-------------|-------------|-------------|-------------|-------------|-------------|-------------|-------------|-------------|------------|-------------|------------|
| Length (mm) | 120 | 150 | 165 | 180 | 185 | 200 | 210 | 215 | 220 | 225 | 245 | 250 | 255 | 260 | 270 | 275 | 280 | 295 | 300 | 305 | | | |
| No. of teeth | 24 | 30 | 33 | 36 | 37 | 40 | 42 | 43 | 44 | 45 | 49 | 50 | 51 | 52 | 54 | 55 | 56 | 59 | 60 | 61 | | | |
| Length tolerance (mm) | | | | | | | | | | | +/- 0,28 | | | | | | | | | | | | |
| Length (mm) | 330 | 340 | 350 | 355 | 365 | 375 | 390 | 395 | 400 | 410 | 420 | 425 | 440 | 445 | 450 | 455 | 460 | 475 | 480 | 500 | 510 | 515* | 525 |
| No. of teeth | 66 | 68 | 70 | 71 | 73 | 75 | 78 | 79 | 80 | 82 | 84 | 85 | 88 | 89 | 90 | 91 | 92 | 95 | 96 | 100 | 102 | 103 | 105 |
| Length tolerance (mm) | +/- 0,32 | | | | | | | | | | +/- 0,36 | | | | | | | | | | | | |
| Length (mm) | 545 | 550 | 560* | 575 | 590 | 600 | 610 | 620 | 630 | 640 | 650 | 660 | 675 | 690 | 700 | 720 | 725 | 750 | 765 | 780 | 800 | 815 | |
| No. of teeth | 109 | 110 | 112 | 115 | 118 | 120 | 122 | 124 | 126 | 128 | 130 | 132 | 135 | 138 | 140 | 144 | 145 | 150 | 153 | 156 | 160 | 163 | |
| Length tolerance (mm) | +/- 0,42 | | | | | | | | | | +/- 0,48 | | | | | | | | | | | | |
| Length (mm) | 830 | 840 | 850 | 860 | 885 | 900 | 920 | 940 | 990 | 1075 | 1100 | 1160 | 1200 | 1215 | 1275 | 1280 | 1315 | 1355 | 1380 | 1440 | | | |
| No. of teeth | 166 | 168 | 170 | 172 | 177 | 180 | 184 | 188 | 198 | 215 | 220 | 232 | 240 | 243 | 255 | 256 | 263 | 271 | 276 | 288 | | | |
| Length tolerance (mm) | +/- 0,56 | | | | | | | | | | +/- 0,64 | | | | +/- 0,76 | | | | | | | | |
| Length (mm) | 1470 | 1500 | 1580 | 1955 | | | | | | | | | | | | | | | | | | | |
| No. of teeth | 294 | 300 | 316 | 391 | | | | | | | | | | | | | | | | | | | |
| Length tolerance (mm) | +/- 0,76 | | +/- 0,88 | | | | | | | | | | | | | | | | | | | | |

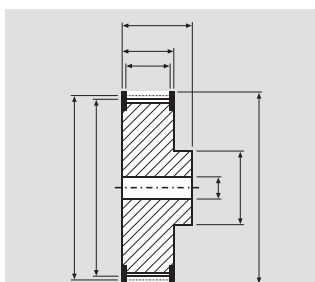
DOUBLETOOTHED BELT LENGTHS

| | | | | | | | | | | | | | | | |
|------------------------------|------------|------------|------------|------------|------------|------------|------------|------------|------------|------------|------------|------------|------------|------------|-------------|
| Length (mm) | 410 | 460 | 515 | 525 | 550 | 590 | 620 | 685 | 700 | 750 | 815 | 840 | 860 | 940 | 1100 |
| No. of teeth | 82 | 92 | 103 | 105 | 110 | 118 | 124 | 137 | 140 | 150 | 163 | 168 | 172 | 188 | 220 |
| Length tolerance (mm) | +/- 0,36 | | | +/- 0,42 | | | +/- 0,48 | | | +/- 0,56 | | | +/- 0,64 | | |

TRANSMITTABLE POWER (kW/cm of tooth in mesh)

| | | | | | | | | | | | | | |
|-------------|-----------|-----------|-----------|-----------|-----------|-----------|-----------|-----------|-----------|-----------|-----------|-----------|-----------|
| n\z | 10 | 12 | 14 | 16 | 18 | 20 | 24 | 28 | 36 | 42 | 48 | 54 | 60 |
| 100 | 0,0017 | 0,0020 | 0,0024 | 0,0027 | 0,0030 | 0,0034 | 0,0040 | 0,0047 | 0,0061 | 0,0071 | 0,0081 | 0,0091 | 0,0101 |
| 200 | 0,0031 | 0,0037 | 0,0043 | 0,0049 | 0,0056 | 0,0062 | 0,0074 | 0,0086 | 0,0111 | 0,0130 | 0,0148 | 0,0167 | 0,0185 |
| 600 | 0,0079 | 0,0095 | 0,0111 | 0,0127 | 0,0143 | 0,0159 | 0,0191 | 0,0222 | 0,0286 | 0,0333 | 0,0381 | 0,0429 | 0,0476 |
| 1000 | 0,0122 | 0,0147 | 0,0171 | 0,0195 | 0,0220 | 0,0244 | 0,0293 | 0,0342 | 0,0440 | 0,0513 | 0,0586 | 0,0659 | 0,0733 |
| 1500 | 0,0171 | 0,0205 | 0,0239 | 0,0274 | 0,0308 | 0,0342 | 0,0411 | 0,0479 | 0,0616 | 0,0718 | 0,0821 | 0,0924 | 0,1026 |
| 2000 | 0,0217 | 0,0260 | 0,0303 | 0,0346 | 0,0390 | 0,0433 | 0,0520 | 0,0628 | 0,0780 | 0,0910 | 0,1039 | 0,1169 | 0,1299 |
| 3000 | 0,0301 | 0,0361 | 0,0421 | 0,0481 | 0,0541 | 0,0601 | 0,0721 | 0,0842 | 0,1082 | 0,1262 | 0,1443 | 0,1623 | 0,1803 |
| 4000 | 0,0378 | 0,0453 | 0,0529 | 0,0604 | 0,0680 | 0,0755 | 0,0907 | 0,1058 | 0,1360 | 0,1586 | 0,1813 | 0,2040 | 0,2266 |
| 5000 | 0,0450 | 0,0540 | 0,0630 | 0,0720 | 0,0810 | 0,0900 | 0,1080 | 0,1260 | 0,1620 | 0,1889 | 0,2159 | 0,2429 | 0,2699 |
| 8000 | 0,0645 | 0,0774 | 0,0903 | 0,1032 | 0,1160 | 0,1289 | 0,1547 | 0,1805 | 0,2321 | 0,2708 | 0,3095 | 0,3481 | 0,3868 |

PULLEYS (for more details see our pulleys catalogue)



| No. teeth | Dp | De | No. teeth | Dp | De |
|-----------|-------|-------|-----------|-------|-------|
| 10 | 15,92 | 15,09 | 27 | 42,97 | 42,14 |
| 12 | 19,10 | 18,27 | 28 | 44,56 | 43,73 |
| 14 | 22,28 | 21,45 | 30 | 47,75 | 46,92 |
| 15 | 23,87 | 23,04 | 32 | 50,93 | 50,10 |
| 16 | 25,46 | 24,64 | 36 | 57,30 | 56,47 |
| 18 | 28,65 | 27,82 | 40 | 63,66 | 62,93 |
| 19 | 30,24 | 29,41 | 42 | 66,85 | 66,02 |
| 20 | 31,83 | 31,00 | 44 | 70,03 | 69,20 |
| 22 | 35,01 | 34,19 | 48 | 76,39 | 75,57 |
| 24 | 38,20 | 37,37 | 54 | 85,94 | 85,09 |
| 25 | 39,79 | 38,96 | 60 | 95,49 | 94,67 |
| 26 | 41,38 | 40,55 | | | |

* Available also without GAP

MEGAPOWER T10 - T10DL

BELT CHARACTERISTICS

| | | | | | | | | |
|-----------------------------|-------|-------|-------|-------|-------|-------|-------|-------|
| BELT WIDTH (mm) | 10 | 12 | 16 | 20 | 25 | 32 | 50 | 75 |
| PULLEY WIDTH B2 (mm) | 15 | 17 | 21 | 25 | 30 | 37 | 56 | 80 |
| BELT WEIGHT (gr/cm) | 0,494 | 0,504 | 0,683 | 0,861 | 1,082 | 1,386 | 2,174 | 3,276 |

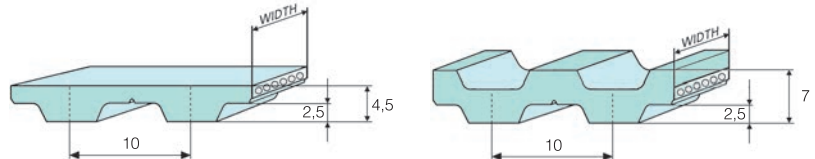
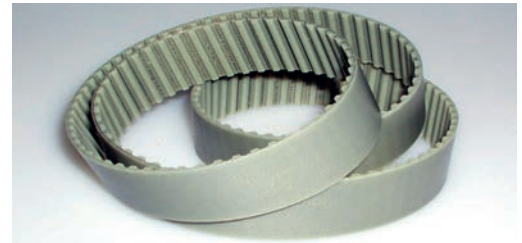
Standard compound: **Thermoset PU 88 ShA grey/green**

Standard cords: **Twisted Zinked Steel**

Standard width tolerance: **+/- 0,50 mm**

Standard thickness tolerance: **+/- 0,30 mm**

Special version belts on request, **see page 21**



BELT LENGTHS AND TOLERANCES (according DIN 7721-1)

| | | | | | | | | | | | | | | | | | | | | | |
|------------------------------|----------|------|------|----------|----------|------|----------|------|------|----------|------|------|----------|------|------|----------|------|------|------|------|------|
| Length (mm) | 260 | 320 | 340 | 370 | 390 | 400 | 410 | 440 | 450 | 480 | 500 | 530 | 550 | 560 | 600* | 610 | 630* | 650 | 660 | 680 | 690 |
| No. of teeth | 26 | 32 | 34 | 37 | 39 | 40 | 41 | 44 | 45 | 48 | 50 | 53 | 55 | 56 | 60 | 61 | 63 | 65 | 66 | 68 | 69 |
| Length tolerance (mm) | +/- 0,32 | | | +/- 0,36 | | | | | | +/- 0,42 | | | | | | +/- 0,48 | | | | | |
| Length (mm) | 700 | 720* | 730 | 750 | 780 | 800* | 810 | 840 | 850 | 880 | 890 | 900* | 910 | 920* | 950 | 960 | 970 | 980 | 1000 | 1010 | 1050 |
| No. of teeth | 70 | 72 | 73 | 75 | 78 | 80 | 81 | 84 | 85 | 88 | 89 | 90 | 91 | 92 | 95 | 96 | 97 | 98 | 100 | 101 | 105 |
| Length tolerance (mm) | +/- 0,48 | | | +/- 0,56 | | | | | | +/- 0,64 | | | | | | +/- 0,64 | | | | | |
| Length (mm) | 1080 | 1100 | 1110 | 1140 | 1150 | 1200 | 1210 | 1240 | 1250 | 1300 | 1320 | 1350 | 1390 | 1400 | 1420 | 1440 | 1450 | 1460 | 1500 | 1560 | |
| No. of teeth | 108 | 110 | 111 | 114 | 115 | 120 | 121 | 124 | 125 | 130 | 132 | 135 | 139 | 140 | 142 | 144 | 145 | 146 | 150 | 156 | |
| Length tolerance (mm) | +/- 0,64 | | | | | | +/- 0,76 | | | | | | +/- 0,76 | | | | | | | | |
| Length (mm) | 1600 | 1610 | 1700 | 1750 | 1780 | 1880 | 1960 | 2250 | | | | | | | | | | | | | |
| No. of teeth | 160 | 161 | 170 | 175 | 178 | 188 | 196 | 225 | | | | | | | | | | | | | |
| Length tolerance (mm) | +/- 0,88 | | | | +/- 1,04 | | | | | | | | | | | | | | | | |

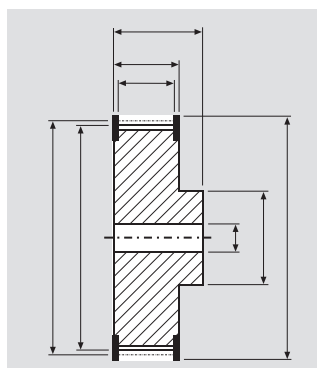
DOUBLETOOTHED BELT LENGTHS

| | | | | | | | | | | | | | | | | | | | | | | |
|------------------------------|----------|----------|----------|-----|----------|-----|-----|----------|-----|-----|----------|------|------|----------|------|------|------|------|------|------|------|------|
| Length (mm) | 260 | 530 | 630 | 660 | 700 | 720 | 800 | 840 | 900 | 920 | 980 | 1010 | 1100 | 1150 | 1210 | 1240 | 1250 | 1320 | 1350 | 1420 | 1610 | 1880 |
| No. of teeth | 26 | 53 | 63 | 66 | 70 | 72 | 80 | 84 | 90 | 92 | 98 | 101 | 110 | 115 | 121 | 124 | 125 | 132 | 135 | 142 | 161 | 188 |
| Length tolerance (mm) | +/- 0,28 | +/- 0,42 | +/- 0,48 | | +/- 0,56 | | | +/- 0,64 | | | +/- 0,76 | | | +/- 0,88 | | | | | | | | |

TRANSMITTABLE POWER (kW/cm of tooth in mesh)

| | | | | | | | | | | | | | |
|-------------|--------|--------|--------|--------|--------|--------|--------|--------|--------|--------|--------|--------|--------|
| n/z | 12 | 14 | 16 | 18 | 20 | 22 | 24 | 26 | 28 | 30 | 36 | 48 | 54 |
| 100 | 0,0085 | 0,0099 | 0,0114 | 0,0128 | 0,0142 | 0,0156 | 0,0170 | 0,0185 | 0,0199 | 0,0213 | 0,0255 | 0,0341 | 0,0383 |
| 200 | 0,0153 | 0,0178 | 0,0204 | 0,0229 | 0,0255 | 0,0280 | 0,0306 | 0,0331 | 0,0357 | 0,0382 | 0,0459 | 0,0611 | 0,0688 |
| 600 | 0,0376 | 0,0438 | 0,0501 | 0,0563 | 0,0626 | 0,0689 | 0,0751 | 0,0814 | 0,0876 | 0,0939 | 0,1127 | 0,1502 | 0,1690 |
| 1000 | 0,0562 | 0,0655 | 0,0749 | 0,0842 | 0,0936 | 0,1030 | 0,1123 | 0,1217 | 0,1311 | 0,1404 | 0,1685 | 0,2247 | 0,2527 |
| 1500 | 0,0766 | 0,0894 | 0,1021 | 0,1149 | 0,1276 | 0,1404 | 0,1532 | 0,1659 | 0,1787 | 0,1915 | 0,2298 | 0,3064 | 0,3447 |
| 2000 | 0,0949 | 0,1107 | 0,1265 | 0,1423 | 0,1581 | 0,1739 | 0,1897 | 0,2056 | 0,2214 | 0,2372 | 0,2846 | 0,3795 | 0,4269 |
| 3000 | 0,1270 | 0,1482 | 0,1693 | 0,1905 | 0,2116 | 0,2328 | 0,2540 | 0,2751 | 0,2963 | 0,3175 | 0,3810 | 0,5080 | 0,5715 |
| 4000 | 0,1548 | 0,1806 | 0,2064 | 0,2322 | 0,2580 | 0,2838 | 0,3097 | 0,3355 | 0,3613 | 0,3871 | 0,4645 | 0,6193 | 0,6967 |
| 5000 | 0,1795 | 0,2094 | 0,2393 | 0,2692 | 0,2991 | 0,3290 | 0,3590 | 0,3889 | 0,4188 | 0,4487 | 0,5384 | 0,7179 | 0,8077 |
| 8000 | 0,2398 | 0,2798 | 0,3198 | 0,3597 | 0,3997 | 0,4397 | 0,4796 | 0,5196 | 0,5596 | 0,5995 | 0,7194 | | |

PULLEYS (for more details see our pulleys catalogue)



| | | | | | |
|------------------|-----------|-----------|------------------|-----------|-----------|
| No. teeth | Dp | De | No. teeth | Dp | De |
| 12 | 38,20 | 36,25 | 27 | 85,94 | 84,10 |
| 14 | 44,56 | 42,71 | 28 | 89,13 | 87,28 |
| 15 | 47,75 | 45,90 | 30 | 95,49 | 93,65 |
| 16 | 50,93 | 49,08 | 32 | 101,86 | 100,01 |
| 18 | 57,30 | 55,45 | 36 | 114,59 | 112,74 |
| 19 | 60,48 | 58,63 | 40 | 127,32 | 125,48 |
| 20 | 63,66 | 61,81 | 44 | 140,06 | 138,21 |
| 22 | 70,03 | 68,18 | 48 | 152,79 | 150,94 |
| 24 | 76,39 | 74,55 | 54 | 171,89 | 170,03 |
| 25 | 79,58 | 77,73 | 60 | 190,99 | 189,14 |
| 26 | 82,76 | 80,91 | | | |

* Available also without GAP

BELT CHARACTERISTICS

| | | | | | | | |
|-----------------------------|----------|----------|-----------|-----------|-----------|-----------|-----------|
| BELT WIDTH (mm) | 6 | 8 | 10 | 12 | 16 | 20 | 25 |
| PULLEY WIDTH B2 (mm) | 12 | 13 | 15 | 17 | 21 | 25 | 30 |
| BELT WEIGHT (gr/cm) | 0,185 | 0,253 | 0,316 | 0,378 | 0,508 | 0,640 | 0,800 |

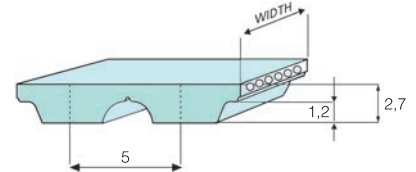
Standard compound: **Thermoset PU 88 ShA grey/green**

Standard cords: **Twisted Zinked Steel**

Standard width tolerance: **+/- 0,50 mm**

Standard thickness tolerance: **+/- 0,15 mm**

Special version belts on request, **see page 21**



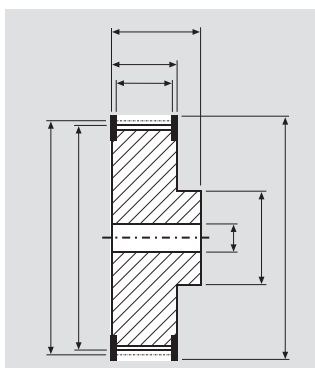
BELT LENGTHS AND TOLERANCES

| | | | | | | | | | | | | | | | | | | | | | |
|------------------------------|------------|------------|------------|------------|------------|------------|------------|------------|------------|-------------|-------------|-------------|-------------|------------|------------|------------|------------|------------|------------|------------|--|
| Length (mm) | 225 | 255 | 275 | 280 | 300 | 330 | 340 | 375 | 390 | 420 | 450 | 455 | 480 | 500 | 525 | 545 | 600 | 610 | 620 | 630 | |
| No. of teeth | 45 | 51 | 55 | 56 | 60 | 66 | 68 | 75 | 78 | 84 | 90 | 91 | 96 | 100 | 105 | 109 | 120 | 122 | 124 | 126 | |
| Length tolerance (mm) | +/- 0,28 | | | +/- 0,32 | | | +/- 0,36 | | | +/- 0,42 | | | | | | | | | | | |
| Length (mm) | 660 | 670 | 710 | 720 | 750 | 780 | 825 | 860 | 975 | 1050 | 1125 | 1500 | 2000 | | | | | | | | |
| No. of teeth | 132 | 134 | 142 | 144 | 150 | 156 | 165 | 172 | 195 | 210 | 225 | 300 | 400 | | | | | | | | |
| Length tolerance (mm) | +/- 0,48 | | | +/- 0,56 | | | +/- 0,64 | | | +/- 0,76 | | | +/- 1,04 | | | | | | | | |

TRANSMITTABLE POWER (kW/cm of tooth in mesh)

| n/z | 12 | 14 | 16 | 18 | 20 | 22 | 24 | 26 | 28 | 32 | 44 | 60 | 68 |
|-------------|--------|--------|--------|--------|--------|--------|--------|--------|--------|--------|--------|--------|--------|
| 100 | 0,0027 | 0,0031 | 0,0036 | 0,0040 | 0,0044 | 0,0049 | 0,0053 | 0,0057 | 0,0062 | 0,0071 | 0,0098 | 0,0133 | 0,0151 |
| 200 | 0,0049 | 0,0057 | 0,0065 | 0,0074 | 0,0082 | 0,0090 | 0,0098 | 0,0106 | 0,0114 | 0,0131 | 0,0180 | 0,0245 | 0,0278 |
| 600 | 0,0127 | 0,0148 | 0,0169 | 0,0190 | 0,0211 | 0,0232 | 0,0253 | 0,0274 | 0,0295 | 0,0338 | 0,0464 | 0,0633 | 0,0717 |
| 1000 | 0,0195 | 0,0228 | 0,0260 | 0,0293 | 0,0325 | 0,0358 | 0,0390 | 0,0422 | 0,0455 | 0,0520 | 0,0716 | 0,0976 | 0,1106 |
| 1500 | 0,0274 | 0,0320 | 0,0365 | 0,0411 | 0,0457 | 0,0502 | 0,0548 | 0,0593 | 0,0639 | 0,0730 | 0,1004 | 0,1370 | 0,1552 |
| 2000 | 0,0347 | 0,0405 | 0,0463 | 0,0521 | 0,0579 | 0,0637 | 0,0695 | 0,0753 | 0,0811 | 0,0926 | 0,1274 | 0,1737 | 0,1969 |
| 3000 | 0,0483 | 0,0564 | 0,0645 | 0,0725 | 0,0806 | 0,0886 | 0,0967 | 0,1047 | 0,1128 | 0,1289 | 0,1773 | 0,2417 | 0,2739 |
| 4000 | 0,0609 | 0,0710 | 0,0812 | 0,0913 | 0,1015 | 0,1116 | 0,1218 | 0,1319 | 0,1421 | 0,1624 | 0,2233 | 0,3045 | 0,3451 |
| 5000 | 0,0727 | 0,0848 | 0,0969 | 0,1090 | 0,1211 | 0,1332 | 0,1453 | 0,1574 | 0,1695 | 0,1938 | 0,2664 | 0,3633 | 0,4117 |
| 8000 | 0,1046 | 0,1220 | 0,1395 | 0,1569 | 0,1743 | 0,1918 | 0,2092 | 0,2266 | 0,2441 | 0,2790 | 0,3836 | 0,5230 | 0,5928 |

PULLEYS (for more details see our pulleys catalogue)



| No. teeth | Dp | De | No. teeth | Dp | De |
|-----------|-------|-------|-----------|--------|--------|
| 12 | 19,1 | 17,87 | 27 | 42,97 | 41,74 |
| 14 | 22,28 | 21,05 | 28 | 44,56 | 43,33 |
| 15 | 23,87 | 22,64 | 30 | 47,75 | 46,52 |
| 16 | 25,46 | 24,24 | 32 | 50,93 | 49,70 |
| 18 | 28,65 | 27,42 | 36 | 57,30 | 56,07 |
| 19 | 30,24 | 29,01 | 40 | 63,66 | 62,43 |
| 20 | 31,83 | 30,60 | 42 | 66,85 | 65,62 |
| 22 | 35,01 | 33,79 | 44 | 70,03 | 68,80 |
| 24 | 38,20 | 36,97 | 48 | 76,39 | 75,17 |
| 25 | 39,79 | 38,56 | 60 | 95,49 | 94,27 |
| 26 | 41,38 | 40,15 | 68 | 108,23 | 107,01 |

MEGAPOWER AT10

BELT CHARACTERISTICS

| | | | | | | | | |
|-----------------------------|-----------|-----------|-----------|-----------|-----------|-----------|-----------|-----------|
| BELT WIDTH (mm) | 10 | 12 | 16 | 20 | 25 | 32 | 50 | 75 |
| PULLEY WIDTH B2 (mm) | 15 | 17 | 21 | 25 | 30 | 37 | 56 | 80 |
| BELT WEIGHT (gr/cm) | 0,578 | 0,707 | 0,952 | 1,184 | 1,469 | 1,905 | 3,005 | 4,344 |

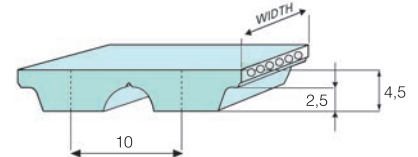
Standard compound: **Thermoset PU 88 ShA grey/green**

Standard cords: **Twisted Zinked Steel**

Standard width tolerance: **+/- 0,50 mm**

Standard thickness tolerance: **+/- 0,30 mm**

Special version belts on request, **see page 21**



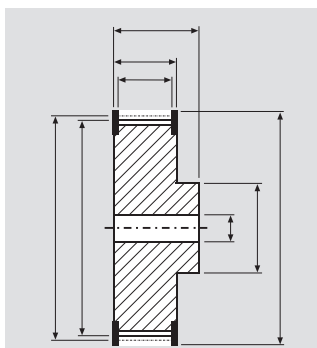
BELT LENGTHS AND TOLERANCES

| | | | | | | | | | | | | | | | | | | | | | |
|------------------------------|-------------------|-------------|-------------|-------------|-------------|-------------|-------------|-------------|-------------|-------------|-------------|-------------|-------------|-------------|-------------|-------------|-------------|-------------|-------------|-------------|-------------|
| Length (mm) | 370 | 500 | 560 | 580 | 600 | 610 | 630 | 660 | 700 | 730 | 780 | 800 | 810 | 840 | 880 | 890 | 920 | 960 | 980 | 1000 | 1010 |
| No. of teeth | 37 | 50 | 56 | 58 | 60 | 61 | 63 | 66 | 67 | 73 | 78 | 80 | 81 | 84 | 88 | 89 | 92 | 96 | 98 | 100 | 101 |
| Length tolerance (mm) | +/- 0,32 +/- 0,36 | | +/- 0,42 | | | | | +/- 0,48 | | | | | +/- 0,56 | | | | | +/- 0,64 | | | |
| Length (mm) | 1050 | 1080 | 1100 | 1150 | 1190 | 1200 | 1210 | 1220 | 1230 | 1240 | 1250 | 1280 | 1300 | 1320 | 1350 | 1360 | 1400 | 1420 | 1480 | 1500 | |
| No. of teeth | 105 | 108 | 110 | 115 | 119 | 120 | 121 | 122 | 123 | 124 | 125 | 128 | 130 | 132 | 135 | 136 | 140 | 142 | 148 | 150 | |
| Length tolerance (mm) | +/- 0,64 | | | | | | | | | | | +/- 0,76 | | | | | | | | | |
| Length (mm) | 1600 | 1630 | 1700 | 1720 | 1800 | 1860 | 1940 | | | | | | | | | | | | | | |
| No. of teeth | 160 | 163 | 170 | 172 | 180 | 186 | 194 | | | | | | | | | | | | | | |
| Length tolerance (mm) | +/- 0,88 | | | | | | | | | | | | | | | | | | | | |

TRANSMITTABLE POWER (kW/cm of tooth in mesh)

| n/z | 15 | 18 | 20 | 22 | 24 | 26 | 28 | 30 | 38 | 42 | 48 | 54 | 60 |
|------|--------|--------|--------|--------|--------|--------|--------|--------|--------|--------|--------|--------|--------|
| 100 | 0,0138 | 0,0166 | 0,0184 | 0,0203 | 0,0221 | 0,0240 | 0,0258 | 0,0276 | 0,0350 | 0,0387 | 0,0442 | 0,0498 | 0,0553 |
| 200 | 0,0251 | 0,0301 | 0,0335 | 0,0368 | 0,0402 | 0,0435 | 0,0469 | 0,0502 | 0,0636 | 0,0703 | 0,0804 | 0,0904 | 0,1004 |
| 600 | 0,0633 | 0,0759 | 0,0844 | 0,0928 | 0,1012 | 0,1097 | 0,1181 | 0,1266 | 0,1603 | 0,1772 | 0,2025 | 0,2278 | 0,2531 |
| 1000 | 0,0961 | 0,1154 | 0,1282 | 0,1410 | 0,1538 | 0,1666 | 0,1794 | 0,1923 | 0,2435 | 0,2692 | 0,3076 | 0,3461 | 0,3845 |
| 1500 | 0,1331 | 0,1597 | 0,1774 | 0,1952 | 0,2129 | 0,2307 | 0,2484 | 0,2661 | 0,3371 | 0,3726 | 0,4258 | 0,4791 | 0,5323 |
| 2000 | 0,1669 | 0,2003 | 0,2225 | 0,2448 | 0,2670 | 0,2893 | 0,3116 | 0,3338 | 0,4228 | 0,4673 | 0,5341 | 0,6009 | 0,6676 |
| 3000 | 0,2281 | 0,2737 | 0,3042 | 0,3346 | 0,3650 | 0,3954 | 0,4258 | 0,4562 | 0,5779 | 0,6387 | 0,7300 | 0,8212 | 0,9125 |
| 4000 | 0,2831 | 0,3397 | 0,3775 | 0,4152 | 0,4530 | 0,4907 | 0,5285 | 0,5662 | 0,7172 | 0,7927 | 0,9060 | 1,0192 | 1,1325 |
| 5000 | 0,3335 | 0,4002 | 0,4447 | 0,4891 | 0,5336 | 0,5781 | 0,6225 | 0,6670 | 0,8449 | 0,9338 | | | |
| 8000 | 0,4648 | 0,5578 | 0,6198 | 0,6818 | 0,7438 | 0,8057 | 0,8677 | 0,9297 | | | | | |

PULLEYS (for more details see our pulleys catalogue)



| No. teeth | Dp | De | No. teeth | Dp | De |
|-----------|-------|-------|-----------|--------|--------|
| 15 | 47,75 | 45,90 | 30 | 95,49 | 93,65 |
| 16 | 50,93 | 49,08 | 32 | 101,86 | 100,01 |
| 18 | 57,30 | 55,45 | 36 | 114,59 | 112,74 |
| 19 | 60,48 | 58,63 | 38 | 120,96 | 119,14 |
| 20 | 63,66 | 61,81 | 40 | 127,32 | 125,48 |
| 22 | 70,03 | 68,18 | 42 | 133,69 | 131,87 |
| 24 | 76,39 | 74,55 | 44 | 140,06 | 138,21 |
| 25 | 79,58 | 77,73 | 48 | 152,79 | 150,94 |
| 26 | 82,76 | 80,91 | 54 | 171,89 | 170,07 |
| 27 | 85,94 | 84,10 | 60 | 190,99 | 189,14 |
| 28 | 89,13 | 87,28 | | | |

MEGAPOWER FEASIBILITY TABLE

| | MXL | XL | L | H | T2 | T2,5 | T5 | T10 | T5DL | T10DL | AT5 | AT10 |
|---|-----|----|----|----|----|------|----|-----|------|-------|-----|------|
| Min no. teeth pulley st. cords | 10 | 10 | 15 | 14 | 10 | 10 | 10 | 12 | 10 | 12 | 15 | 15 |
| Min outside idler dia | 18 | 30 | 60 | 80 | 18 | 18 | 30 | 60 | 30 | 60 | 60 | 120 |
| Min inside idler dia | 20 | 30 | 60 | 60 | 20 | 20 | 30 | 60 | 30 | 60 | 25 | 50 |
| Min no. teeth pulley HF cords | - | - | - | - | - | - | 10 | 12 | 10 | 12 | 12 | 15 |
| Min outside idler dia | - | - | - | - | - | - | 30 | 50 | 30 | 50 | 40 | 80 |
| Min inside idler dia | - | - | - | - | - | - | 30 | 50 | 30 | 50 | 25 | 50 |
| Min no. teeth pulley HP cords | - | - | - | - | - | 15 | 15 | 15 | - | - | 25 | 25 |
| Min outside idler dia | - | - | - | - | - | 30 | 40 | 100 | - | - | 60 | 150 |
| Min inside idler dia | - | - | - | - | - | 30 | 60 | 100 | - | - | 40 | 80 |
| Min no. teeth pulley HPF cords | - | - | - | - | - | - | 12 | 14 | - | - | 20 | 16 |
| Min outside idler dia | - | - | - | - | - | - | 30 | 80 | - | - | 40 | 100 |
| Min inside idler dia | - | - | - | - | - | - | 30 | 80 | - | - | 40 | 60 |
| Min no. teeth pulley kevlar cords | 12 | 10 | 15 | 14 | 12 | 12 | 12 | 15 | 12 | 15 | 15 | 15 |
| Min outside idler dia | 20 | 30 | 60 | 80 | 20 | 20 | 30 | 60 | 30 | 60 | 60 | 120 |
| Min inside idler dia | 20 | 20 | 60 | 60 | 20 | 20 | 30 | 60 | 30 | 60 | 25 | 50 |
| Min no. teeth pulley fiberglass cords | - | 13 | 18 | 18 | - | - | 15 | 15 | - | - | - | - |
| Min outside idler dia | - | 35 | 65 | 90 | - | - | 40 | 70 | - | - | - | - |
| Min inside idler dia | - | 35 | 65 | 65 | - | - | 40 | 70 | - | - | - | - |
| Min no. teeth pulley polyester cords | - | - | - | - | - | - | - | - | - | - | - | - |
| Min outside idler dia | - | - | - | - | - | - | - | - | - | - | - | - |
| Min inside idler dia | - | - | - | - | - | - | - | - | - | - | - | - |
| Min no. teeth pulley stainless steel cords | - | 13 | 18 | 18 | - | - | 15 | 15 | 15 | 15 | 15 | 19 |
| Min outside idler dia | - | 35 | 65 | 80 | - | - | 40 | 70 | 40 | 70 | 65 | 110 |
| Min inside idler dia | - | 35 | 65 | 65 | - | - | 40 | 70 | 40 | 70 | 60 | 110 |

| | | | | | | | | | | | | |
|-------------------------------------|---|---|---|---|---|---|---|---|---|---|---|---|
| Steel cords | O | O | O | O | O | O | O | O | O | O | O | O |
| High Flexibility cords | X | X | X | X | X | X | M | M | M | M | M | M |
| High Performance cords | X | X | X | X | X | M | M | M | X | X | M | M |
| High Performance Flexibility | X | X | X | X | X | X | M | M | X | X | M | M |
| Kevlar cords | R | R | R | M | M | M | M | M | M | M | M | M |
| Fiberglass cords | X | R | M | M | X | X | M | M | X | X | X | X |
| Polyester cords | X | X | X | X | X | X | X | X | X | X | X | X |
| Stainless steel cords | X | M | M | M | X | X | M | M | M | M | M | M |

| | | | | | | | | | | | | |
|---|---|---|---|---|---|---|---|---|---|---|---|---|
| Pu yellow coating 50 ShA cover | M | M | M | M | M | M | M | M | X | X | M | M |
| Porol mousse 10 ShA cover | M | M | M | M | M | M | M | M | X | X | M | M |
| Linatex 42 ShA cover | M | M | M | M | M | M | M | M | X | X | M | M |
| Tenax 40 / 45 ShA cover | M | M | M | M | M | M | M | M | X | X | M | M |
| White alimentary rubber 70 ShA cover | M | M | M | M | M | M | M | M | X | X | M | M |
| Neoprene rubber 70 ShA cover | M | M | M | M | M | M | M | M | X | X | M | M |
| Gummy correx 48 ShA cover | M | M | M | M | M | M | M | M | X | X | M | M |
| NBR 70 ShA cover | M | M | M | M | M | M | M | M | X | X | M | M |
| Hypalon 60 ShA cover | M | M | M | M | M | M | M | M | X | X | M | M |
| Honey comb 45 ShA cover | M | M | M | M | M | M | M | M | X | X | M | M |

O = Ex stock

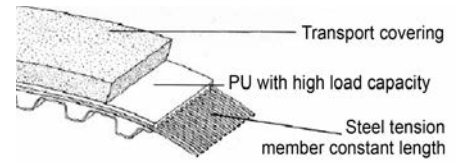
R = On request without minimum quantity

M = On request with minimum quantity

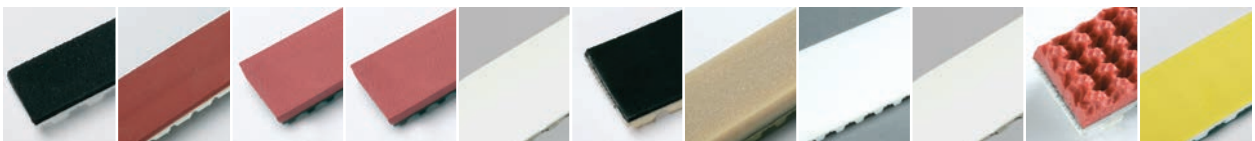
X = Not available

COATINGS AND COVER PROPERTIES

Megapower timing belts can be coated with several materials on the back side to obtain specific properties required (higher friction coefficient, higher abrasion resistance, higher oil resistance, etc.).



| | Cover type | | | | | | | | | | |
|---|---------------------------|----------------|------------------|------------------|--------------------------------|------------------|------------------------------|------------------|------------------|----------------|---------------------|
| | Porol mousse | Linatex | Tenax 40 | Tenax Standard | White Rubber for food industry | Neoprene | Gummy Correx ambra parablond | NBR | Hypalon | Honeycomb | Foamed polyurethane |
| Raw material | open cell neoprene rubber | natural rubber | natural rubber | natural rubber | synthetic rubber | synthetic rubber | natural rubber | nitrilic rubber | rubber | natural rubber | foamed polyurethane |
| Hardness (ShA) | 10 | 42 | 40 | 45 | 70 | 70 | 48 | 70 | 60 | 45 | 50 |
| Colour | black | red | red | red | white | gray/black | light brown | white | white | red | yellow/gray |
| Coating and belt cohesion method | by gluing | by gluing | by vulcanization | by vulcanization | by vulcanization | by vulcanization | by vulcanization | by vulcanization | by vulcanization | by gluing | by spray |
| Thickness range (mm) | 2 till 15 | 0,8 till 15 | 0,8 till 15 | 0,8 till 15 | 0,8 till 15 | 0,8 till 15 | 0,8 till 15 | 0,8 till 15 | 0,8 till 15 | 4,5 | 0,5 till 8 |
| Tolerance on coating thickness | +/- 0,3 | +/- 0,3 | +/- 0,3 | +/- 0,3 | +/- 0,3 | +/- 0,3 | +/- 0,3 | +/- 0,3 | +/- 0,3 | +/- 0,5 | +/- 0,3 |
| Working temperature range (°C) | -10 / +60 | -20 / +50 | -20 / +60 | -20 / +60 | 0 / +120 | -10 / +100 | -20 / +60 | 0 / +120 | 0 / +160 | -20 / +60 | -20 / +60 |
| Friction coefficient ⁽¹⁾ | 0,7 | 0,75 | 0,75 | 0,7 | 0,65 | 0,6 | 0,6 | 0,6 | 0,6 | 0,6 | 0,4 |
| Water resistance | good | very good | very good | very good | good | very good | very good | good | good | very good | good |
| Abrasion resistance | intermediate | very good | very good | very good | intermediate | good | very good | intermediate | intermediate | very good | very good |
| Oil resistance | intermediate | low | low | low | good | good | low | good | good | low | very good |
| FDA approved | no | no | no | no | no | no | no | no | no | no | no |
| Min. pulley dia = coating thickness * ... ⁽²⁾ | x 25 | x 30 | x 30 | x 30 | x 35 | x 35 | x 30 | x 35 | x 35 | x 30 | x 25 |



(1) Static Average values for steel guides

(2) Suggested diameter is bigger value between this calculated value and minimum pulley diameter on belt data page

COLOUR

On customer request and with a minimum quantity it is possible to produce Megapower with several colours. Different colour doesn't influence belt technical properties so mechanical features are same as standard grey/green belt.

MECHANICAL REWORK

Megadyne have been producing specialized belting for many years. Our in-house facilities enable us to produce belts with special holes for vacuum applications, belts with special backings/grounds finishes for high tolerance applications. We can remove individual teeth and perforate the timing belt as required.

BACK GRINDING

A belt back can be ground to achieve a precise belt thickness as an adjunct to precision drives. When belt back grinding to a tolerance is required, the total thickness, including the tooth, must be specified. A grinding tolerance of $\pm 0,2$ mm is achievable with a level finish (i.e. thickness will not vary greatly around the belt).

LONGITUDINAL REWORK

Longitudinal rework along the belt back is possible on covered and uncovered belts. The profile can be machined precisely for required function. The measurement is given as the depth on the belt back. Most widths and lengths are available.

REWORK ON BELT TEETH

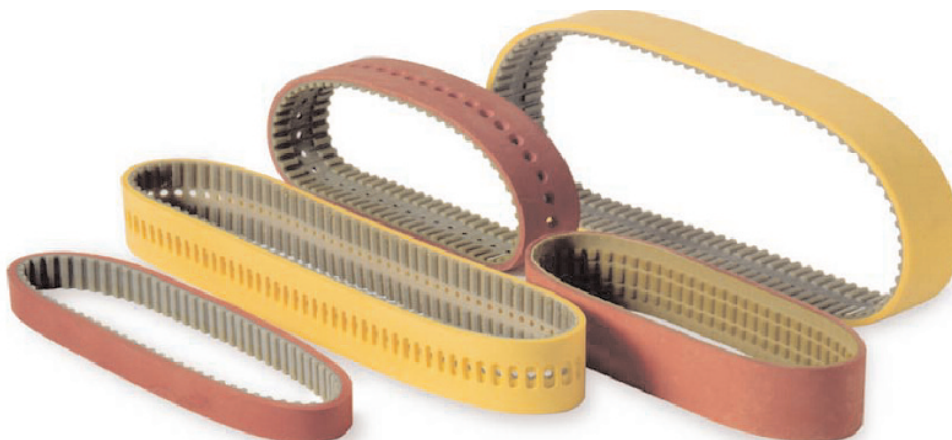
The rework of the tooth profile can be very useful, i.e. improving the steering effect with guide rails. The rework dimension is given from the top of the tooth.

HOLES IN TIMING BELTS

Holes in timing belts can be for vacuum or air film conveying or as clearance for assembly mechanisms. Stops and cams can be attached through the holes. Customized tooling may be required depending on the layout and dimensions of holes required.

SINGLE TOOTH REMOVAL

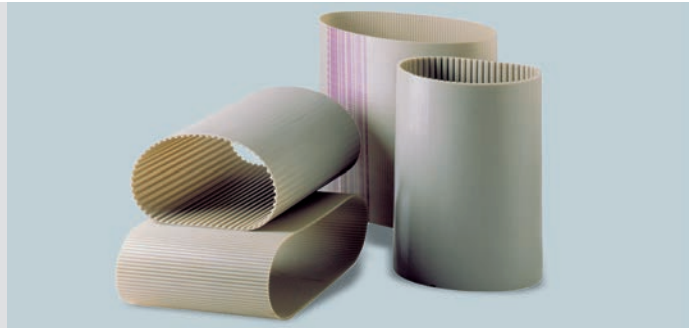
Single and multiple tooth removal is available to your requirement, for applications in handling and conveying technology.



SPECIAL EXECUTIONS PHOTOS

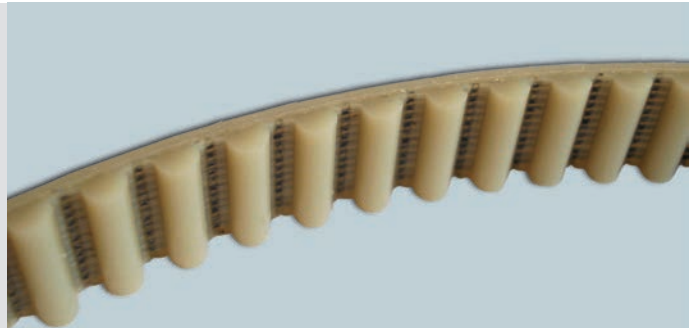
Belts and sleeves

Customer can choose the right Megapower depending on his business features: belts are finished and ready to use, while sleeves can be stored and cut at requested width by end-users



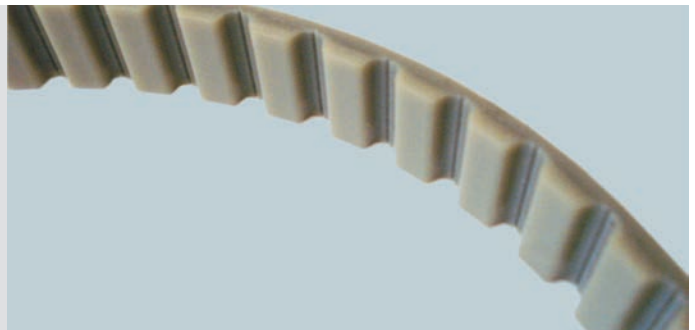
Special profiles

Megapower belts can be manufactured on customer request also with pitch T2, RPP3, RPP8, STD3, MTD5



AT20 for high power

Megapower belts are available also in AT20 pitch, with standard or special cords, to work in very high power transmission applications



Directly moulded special cleats

Special cleats and flat profiles can be directly moulded with the belt, being a part of it and giving higher mechanical characteristics



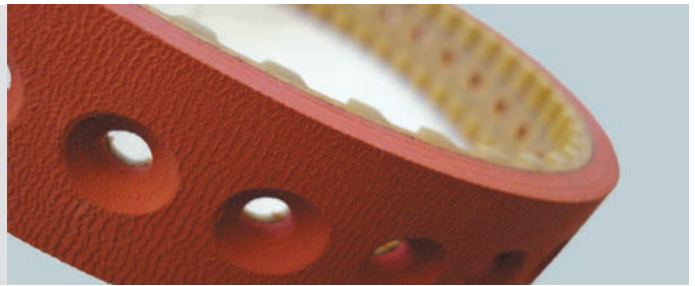
Tracking belts for lifts

Custom design moulded belt, with high strength capacity and helical special teeth, high coefficient of friction and very low noise level, used as tracking belts in lift applications



Vacuum applications

Megapower belts for vacuum applications, coated with Tenax or other coatings, with ground teeth, holes and slots (perpendicular or sloping) for vacuum transmission



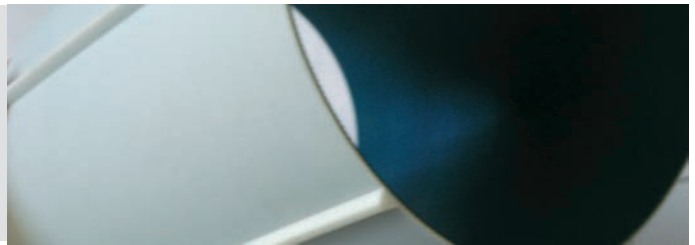
Packing industry

Particular Megapower with directly moulded carriers and pushers, engineered to meet very special customer requests



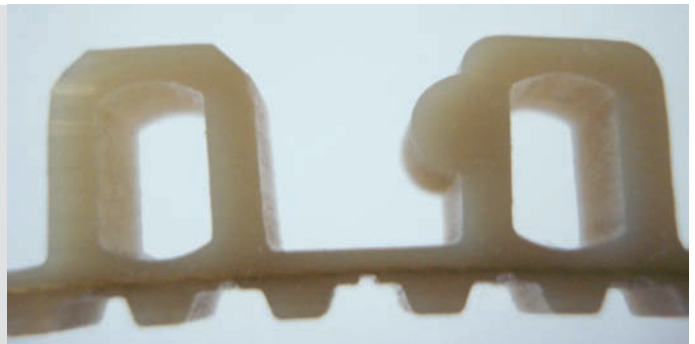
Special carriers

Megapower customised belt with directly moulded carriers, developed following customer design



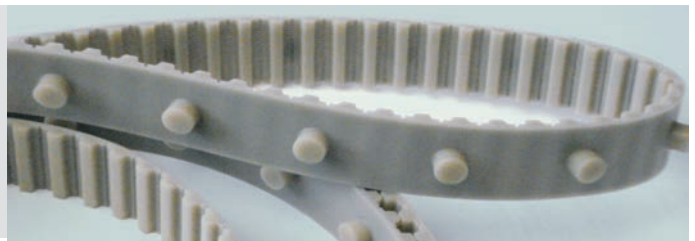
Office automation

Megapower belt with special moulded cleats, typically used used in office automation and printing machines



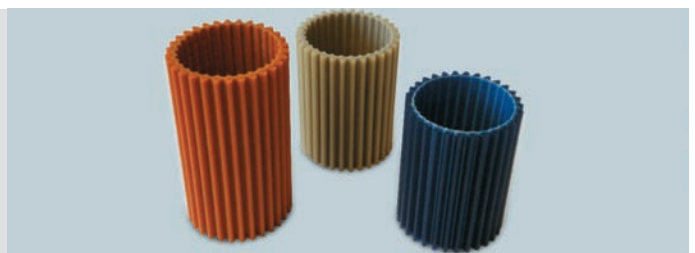
Carding machines

Special moulded belt with cylindrical cleats, used in textile industry



Textile industry

Special moulded belt used in textile industry, manufactured in red or in blue polyurethane



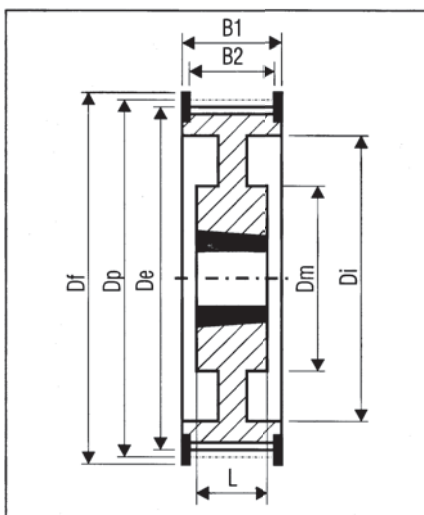
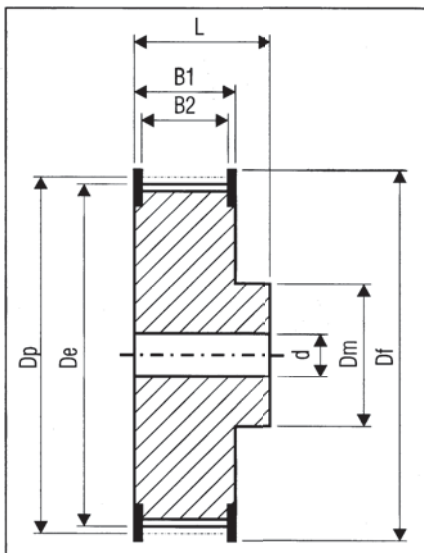
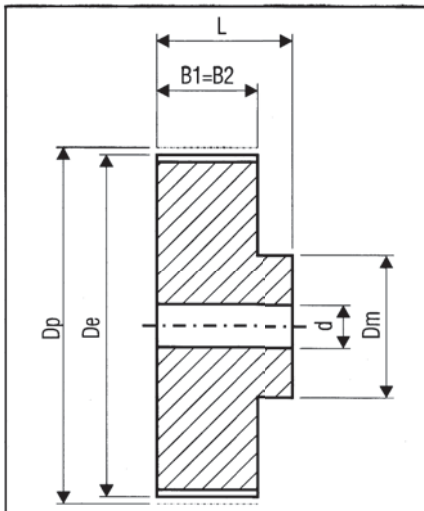
PULLEYS AND TIMING BARS



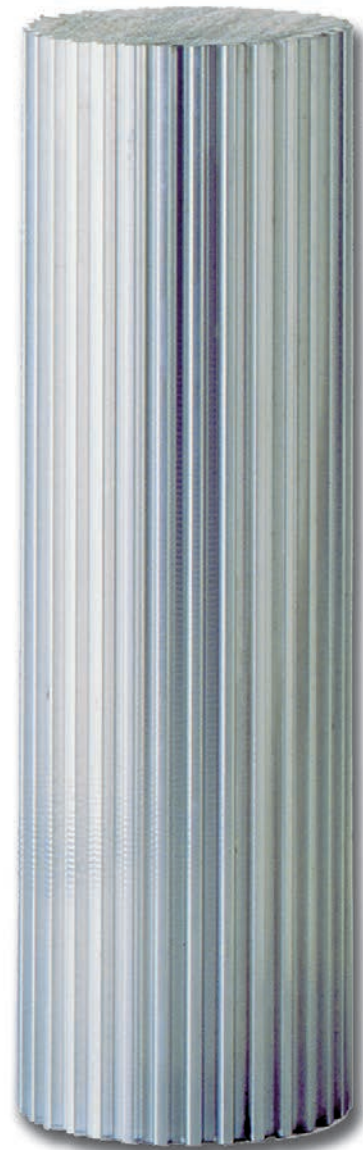
PULLEYS AND TIMING BARS

Pulleys can be provided both in standard design, according to ISO specifications, and engineered on customer requests.

Manufactured in aluminium, steel and cast iron, Megadyne pulleys are available with or without steel flanges and surface treatment.



| | |
|-----------------|--|
| Imperial | MXL XL L H XH XXH HG |
| HTD | 3M 5M 8M 14M |
| METRIC | T2,5 T5 T10 T20 AT3 AT5 AT10 AT20 TG5 TG10 TG20 ATG10 |
| RPP | RPP5 RPP8 RPP14 |



USEFUL FORMULAS AND CONVERSION TABLE

SPEED

$$V = \frac{d_1 \cdot n_1}{19100} \quad n_1 = \frac{V \cdot 19100}{d_1} \quad d_1 = \frac{V \cdot 19100}{n_1}$$

V: peripheral speed [m/s]
 n₁: rotation speed [RPM]
 d₁: pulley diameter [mm]

FORCES AND TORQUE

$$F_u = \frac{19,1 \cdot 10^6 \cdot P}{d_1 \cdot n_1} \quad F_u = \frac{2000 \cdot M_t}{d_1} \quad F_u = \frac{P \cdot 10^3}{d_1}$$

F_u: peripheral force [N]
 M_t: drive torque [Nm]
 P: power [kW]
 n₁: rotation speed [RPM]
 d₁: pulley diameter [mm]
 V: peripheral speed [m/s]

$$M_t = \frac{P \cdot 9550}{n_1} \quad M_t = \frac{F_u \cdot d_1}{2000} \quad M_t = \frac{P \cdot d_1}{2 \cdot V}$$

POWER

$$P = \frac{F_u \cdot d_1 \cdot n_1}{19,1 \cdot 10^6} \quad P = \frac{M_t \cdot n_1}{9550} \quad P = \frac{F_u \cdot V}{1000}$$

P: power [kW]
 F_u: peripheral force [N]
 M_t: drive torque [Nm]
 n₁: rotation speed [RPM]
 d₁: pulley diameter [mm]

| To convert from | to | multiply by |
|-----------------|-----------------|----------------------------|
| CV | HP | 0,9863201 |
| CV | kcal/h | 63,24151 |
| CV | W | 735,4988 |
| CV | kW | 0,7354988 |
| CV | kgf ↔ m/s | 75 |
| CV | lbf ↔ ft/s | 542,476 |
| HP | CV | 1,01387 |
| HP | kcal/h | 641,1865 |
| HP | W | 745,6999 |
| HP | kW | 0,7456999 |
| HP | kgf ↔ m/s | 76,04022 |
| HP | lbf ↔ ft/s | 550 |
| in | m | 0,0254 |
| in | cm | 2,54 |
| in | mm | 25,4 |
| in | ft | 0,083 |
| in ² | m ² | 0,00064516 |
| in ² | cm ² | 6,4516 |
| in ² | mm ² | 645,16 |
| in ² | ft ² | 0,006944444 |
| in ³ | m ³ | 1,63871 · 10 ⁻⁵ |
| in ³ | cm ³ | 16,38706 |
| in ³ | mm ³ | 16387,06 |
| in ³ | ft ³ | 0,000578704 |

| To convert from | to | multiply by |
|-----------------|------------|----------------------------|
| J | CV ↔ h | 3,77673 · 10 ⁻⁷ |
| J | HP ↔ h | 3,72506 · 10 ⁻⁷ |
| J | kWh | 2,77778 · 10 ⁻⁷ |
| kg | lb | 2,204623 |
| kgf | N | 9,80665 |
| kgf | lbf | 2,204623 |
| kgf ↔ m/s | CV | 0,01333333 |
| kgf ↔ m/s | W | 9,80665 |
| kgf ↔ m/s | kW | 0,00980665 |
| kW | CV | 1,359622 |
| kW | kcal/h | 859,8452 |
| kW | W | 1000 |
| kW | kgf ↔ m/s | 101,9716 |
| kW | lbf ↔ ft/s | 737,5621 |
| lb | kg | 0,4535924 |
| lb | kgf | 0,4535924 |
| lb | N | 4,448222 |
| N | kgf | 0,1019716 |
| N | lbf | 0,2248089 |
| W | CV | 0,001359622 |
| W | HP | 0,001341022 |
| W | kcal/h | 0,8598452 |
| W | kW | 0,001 |
| W | kgf ↔ m/s | 0,1019716 |
| W | lbf ↔ ft/s | 0,7375621 |

The data and information contained in the present catalogue are up-to-dated to the date of the catalogue's printing. Megadyne Spa reserves the right to modify the specifications, performances and other information relating to the belts described in the present catalogue, at any time at its own discretion, without any prior notice. For updating refer to our web site www.megadynegroup.com.

Technical specifications, performances and other information provided in the present catalogue are indicative and do not bound Megadyne unless such specifications, performances or other information are expressly agreed in the agreement with the customer.

We also recommend to read carefully the following documents in our web site www.megadynegroup.com:

- Megadyne General Conditions of Sale (comprising the warranty)
- Theoretical Belt Life
- Drive Components: Storage, Installation, Maintenance and Troubleshooting Handbook
- Belts standard use condition and temperature.

Copyright Notice: Megadyne Spa copyright. All rights reserved. Megadyne is and shall remain the owner of all rights on drawings, technical specifications and any other information contained in the present catalogue or otherwise communicated by Megadyne Spa to the customer. The customer shall not disclose such information to third parties or use such information for purposes different from the definition of the order to Megadyne Spa, unless upon prior written authorization of Megadyne.



MEGADYNE S.p.A.
ITALY - MATHI