



SAMICK PRECISION IND. CO., LTD.



## Ball bushes

Ball bushes are the mainstay of linear motion systems. They provide an economical solution for precision measuring equipment, drilling machines, punching presses, printing and food packaging machines. Bushes are available in open and closed formats, flanged and slim profile forms. The correct tolerance and hardened shaft must be used for reliable performance and these can be supplied with chrome plating or 440 stainless steel. In general ball bushes are better for lighter loads and lower duty cycles.

Complete systems can be supplied for bolt in simplicity including precision ground and hardened shafts, bushes, case units and shaft supports. Dimensions are to an industry standard for consistency and parts for breakdowns are normally readily available.

Bushes with Nickel coating and SS balls for aggressive chemical environments can be supplied on request.

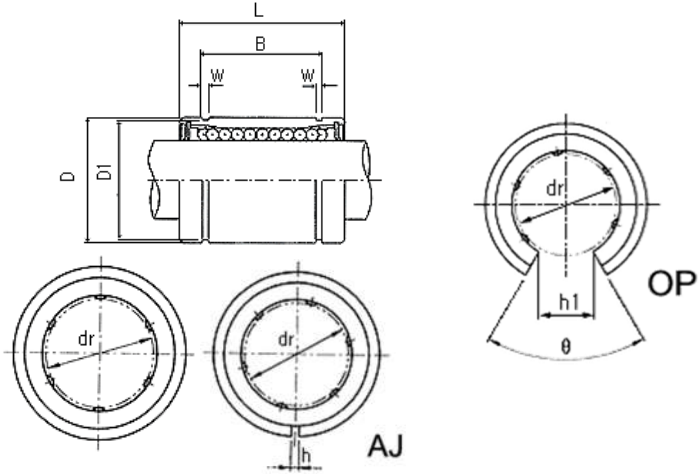


SAMICK PRECISION IND. CO., LTD.





## Japanese Dimension

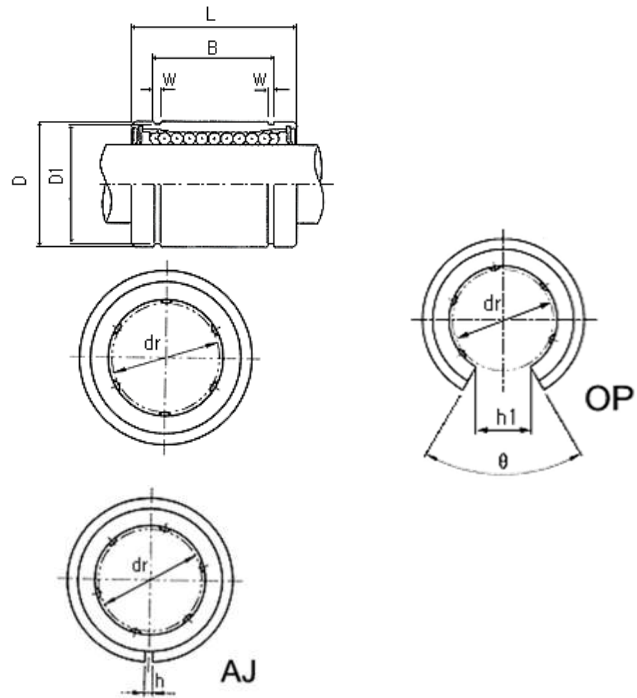


						Dimensions								Opening Angle	Dynamic Load (50km)	Static Load	Mass
Standard	# Circuits	OPEN	# Circuits	Adjustable	# Circuits	d	D	L	B	W	D1	h	h1	Degrees	C (N)	Co (N)	gr.
LM5UU	4					5	10	15	10.2	1.1	9.6				167	206	4
LM6UU	4			LM6UUAJ	4	6	12	19	13.5	1.1	11.5	1			200	260	8
LM8SUU	4			LM8SUUAJ	4	8	15	17	11.5	1.1	14.3	1			170	220	11
LM8UU	4			LM8UUAJ	4	8	15	24	17.5	1.1	14.3	1			260	400	16
LM10UU	4			LM10UUAJ	4	10	19	29	22	1.3	18	1			370	540	30
LM12UU	4	LM12UUOP	3	LM12UUAJ	4	12	21	30	23	1.3	20	1.5	8	80	410	590	31.5
LM13UU	4	LM13UUOP	3	LM13UUAJ	4	13	23	32	23	1.3	22	1.5	9	80	500	770	43
LM16UU	5	LM16UUOP	4	LM16UUAJ	5	16	28	37	26.5	1.6	27	1.5	11	80	770	1170	69
LM20UU	5	LM20UUOP	4	LM20UUAJ	5	20	32	42	30.5	1.6	30.5	1.5	11	60	860	1370	87
LM25UU	6	LM25UUOP	5	LM25UUAJ	6	25	40	59	41	1.85	38	2	12	50	980	1560	220
LM30UU	6	LM30UUOP	5	LM30UUAJ	6	30	45	64	44.5	1.85	43	2.5	15	50	1560	2740	250
LM35UU	6	LM35UUOP	5	LM35UUAJ	6	35	52	70	49.5	2.1	49	2.5	17	50	1660	3130	390
LM40UU	6	LM40UUOP	5	LM40UUAJ	6	40	60	80	60.5	2.1	57	3	20	50	2150	4010	585
LM50UU	6	LM50UUOP	5	LM50UUAJ	6	50	80	100	74	2.6	76.5	3	25	50	3820	7930	1580
LM60UU	6	LM60UUOP	5	LM60UUAJ	6	60	90	110	85	3.15	86.5	3	30	50	4700	9990	2000

Regular stock items in bold type.



**European Dimension**

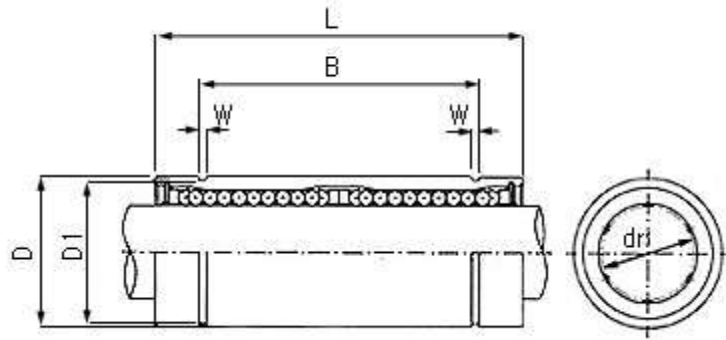


						Dimensions								Opening Angle	Dynamic Load (50km)	Static Load	Mass
Standard	# Circuits	Open	# Circuits	Adjustable	# Circuits	d	D	L	B	W	D1	h	h1	Degrees	C (N)	Co (N)	gr.
LME5UU	4			LME5UUAJ	4	5	12	22	14.5	1.1	11.5	1			200	260	12
LME8UU	4			LME8UUAJ	4	8	16	25	16.5	1.1	15.2	1			260	400	20
LME12UU	4	LME12UUOP	3	LME12UUAJ	4	12	22	32	22.9	1.3	21	1.5	7.5	78	410	590	41
LME16UU	5	LME16UUOP	4	<b>LME16UUAJ</b>	5	16	26	36	24.9	1.3	24.9	1.5	10	78	770	1170	57
LME20UU	5	LME20UUOP	4	LME20UUAJ	5	20	32	45	31.5	1.6	30.3	2	10	60	860	1370	91
LME25UU	6	LME25UUOP	5	LME25UUAJ	6	25	40	58	44.1	1.85	37.5	2	12.5	60	980	1560	215
LME30UU	6	LME30UUOP	5	<b>LME30UUAJ</b>	6	30	47	68	52.1	1.85	44.5	2	12.5	50	1560	2740	325
LME40UU	6	LME40UUOP	5	<b>LME40UUAJ</b>	6	40	62	80	60.6	2.15	59	3	16.8	50	2150	4010	705
LME50UU	6	LME50UUOP	5	LME50UUAJ	6	50	75	100	77.6	2.65	72	3	21	50	3820	7930	1130
LME60UU	6	LME60UUOP	5	LME60UUAJ	6	60	90	125	101.7	3.15	86.5	3	27.2	54	4700	9990	2220

Regular stock items in bold type.



## Japanese Long



	# Circuits	Dimensions						Dynamic Load (50km)	Static Load	Mass
		d	D	L	B	W	D1	C (N)	Co (N)	gr.
LM6LUU	4	6	12	35	27	1.1	11.5	320	520	16
LM8LUU	4	8	15	45	35	1.1	14.3	430	780	31
LM10LUU	4	10	19	55	44	1.3	18	580	1100	62
LM12LUU	4	12	21	57	46	1.3	20	650	1200	80
LM13LUU	4	13	23	61	46	1.3	22	810	1570	90
LM16LUU	5	16	28	70	53	1.6	27	1230	2350	145
LM20LUU	5	20	32	80	61	1.6	30.5	1400	2750	180
LM25LUU	6	25	40	112	82	1.85	38	1560	3140	440
LM30LUU	6	30	45	123	89	1.85	43	2490	5490	580
LM35LUU	6	35	52	135	99	2.1	49	2650	6470	795
LM40LUU	6	40	60	154	121	2.1	57	3430	8040	1170
LM50LUU	6	50	80	192	148	2.6	76.5	6080	15900	3100
LM60LUU	6	60	90	211	170	3.15	86.5	7650	20000	3500

## European Long

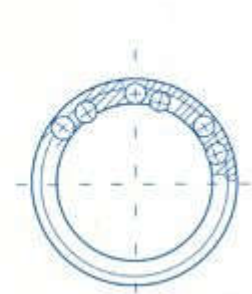
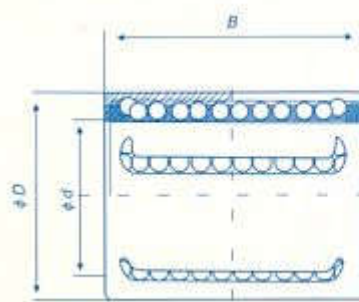
	# Circuits	Dimensions						Dynamic Load (50km)	Static Load	Mass
		d	D	L	B	W	D1	C (N)	Co (N)	gr.
LME8LUU	4	8	16	45	33	1.1	15.2	430	780	31
LME12LUU	4	12	22	57	45.8	1.3	21	650	1200	80
LME16LUU	5	16	26	70	49.8	1.3	24.9	1230	2350	145
LME20LUU	5	20	32	80	61	1.6	30.3	1400	2750	180
LME25LUU	6	25	40	112	82	1.85	38	1560	3140	440
LME30LUU	6	30	47	123	104.2	1.85	44.5	2490	5490	580
LME40LUU	6	40	62	154	121.2	2.15	59	3430	8040	1170
LME50LUU	6	50	75	192	155.2	2.65	72	6080	15900	3100
LME60LUU	6	60	90	211	170	3.15	86.5	7650	20000	3500

20, 25 and 60 sizes are identical to Japanese version.



### Ultra slim - KH series

Constructed with a pressed metal case for ultra-compact dimensions but still comes complete with seals..



	Dimensions			Dynamic Load (50km)	Static Load	Mass
	d	D	B	C (N)	Co (N)	gr.
KH0622PP	6	12	22	400	239	7
<b>KH0824PP</b>	<b>8</b>	<b>15</b>	<b>24</b>	<b>435</b>	<b>280</b>	<b>12</b>
<b>KH1026PP</b>	<b>10</b>	<b>17</b>	<b>26</b>	<b>500</b>	<b>370</b>	<b>14.5</b>
<b>KH1228PP</b>	<b>12</b>	<b>19</b>	<b>28</b>	<b>620</b>	<b>510</b>	<b>18.5</b>
<b>KH1428PP</b>	<b>14</b>	<b>21</b>	<b>28</b>	<b>620</b>	<b>520</b>	<b>20.5</b>
<b>KH1630PP</b>	<b>16</b>	<b>24</b>	<b>30</b>	<b>800</b>	<b>620</b>	<b>27.5</b>
<b>KH2030PP</b>	<b>20</b>	<b>28</b>	<b>30</b>	<b>950</b>	<b>790</b>	<b>32.5</b>
<b>KH2540PP</b>	<b>25</b>	<b>35</b>	<b>40</b>	<b>1990</b>	<b>1670</b>	<b>66</b>
<b>KH3050PP</b>	<b>30</b>	<b>40</b>	<b>50</b>	<b>2800</b>	<b>2700</b>	<b>95</b>
<b>KH4060PP</b>	<b>40</b>	<b>52</b>	<b>60</b>	<b>4400</b>	<b>4450</b>	<b>182</b>
<b>KH5070PP</b>	<b>50</b>	<b>62</b>	<b>70</b>	<b>5500</b>	<b>6300</b>	<b>252</b>

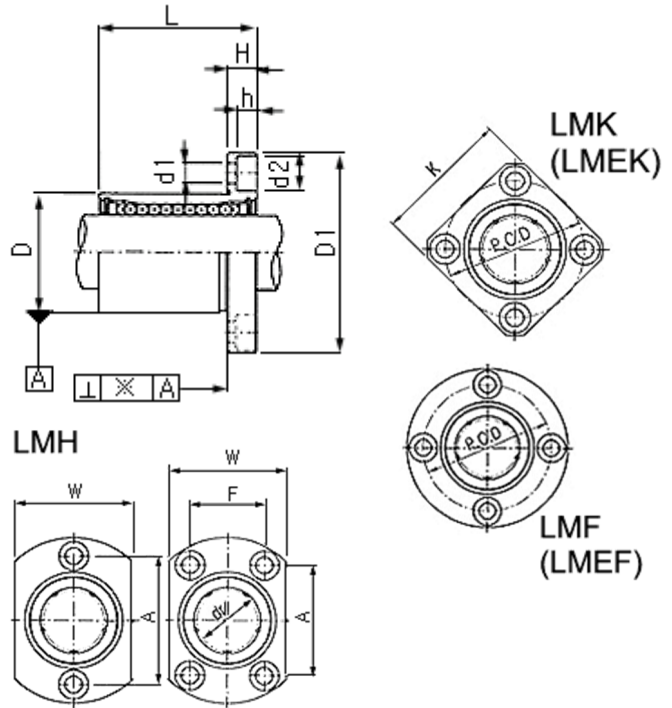
Regular stock items in bold type.



Also available in stock are corrosion resistant versions with engineering plastic body, nickel coated bearing plates and stainless steel balls.



## Japanese Flanged

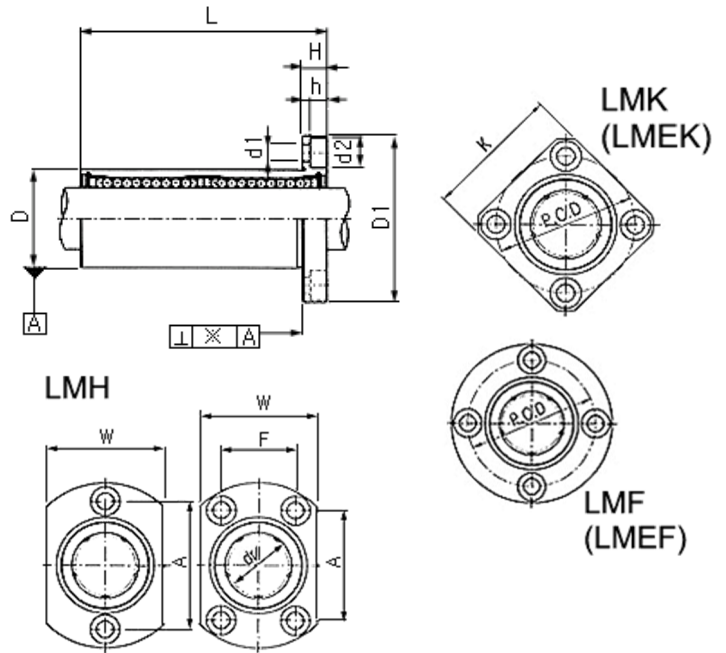


Type				Dimensions											Dynamic Load (50km)	Static Load	Mass
Circular	Square	Oval	# Circuits	d	D	L	D1	H	PCD	K	W	A	F	d1xd2xh	C (N)	Co (N)	gr.
<b>LMF6UU</b>	<b>LMK6UU</b>	LMH6UU	4	6	12	19	28	5	20	22	18	20		3.4x6.5x3.3	200	260	26.5
LMF8SUU	LMK8SUU		4	8	15	17	32	5	24	25				3.4x6.5x3.3	170	220	34
<b>LMF8UU</b>	<b>LMK8UU</b>	LMH8UU	4	8	<b>15</b>	<b>24</b>	<b>32</b>	<b>5</b>	<b>24</b>	<b>25</b>	<b>21</b>	<b>24</b>		<b>3.4x6.5x3.3</b>	<b>260</b>	<b>400</b>	<b>40</b>
<b>LMF10UU</b>	<b>LMK10UU</b>	LMH10UU	4	<b>10</b>	<b>19</b>	<b>29</b>	<b>40</b>	<b>6</b>	<b>29</b>	<b>30</b>	<b>25</b>	<b>29</b>		<b>4.5x8x4.4</b>	<b>370</b>	<b>540</b>	<b>78</b>
<b>LMF12UU</b>	<b>LMK12UU</b>	LMH12UU	4	<b>12</b>	<b>21</b>	<b>30</b>	<b>42</b>	<b>6</b>	<b>32</b>	<b>32</b>	<b>27</b>	<b>32</b>		<b>4.5x8x4.4</b>	<b>410</b>	<b>590</b>	<b>76</b>
LMF13UU	LMK13UU	LMH13UU	4	13	23	32	43	6	33	34	29	33		4.5x8x4.4	500	770	94
<b>LMF16UU</b>	<b>LMK16UU</b>	<b>LMH16UU</b>	5	<b>16</b>	<b>28</b>	<b>37</b>	<b>48</b>	<b>6</b>	<b>38</b>	<b>37</b>	<b>34</b>	<b>31</b>	<b>22</b>	<b>4.5x8x4.4</b>	<b>770</b>	<b>1170</b>	<b>134</b>
<b>LMF20UU</b>	<b>LMK20UU</b>	<b>LMH20UU</b>	5	<b>20</b>	<b>32</b>	<b>42</b>	<b>54</b>	<b>8</b>	<b>43</b>	<b>42</b>	<b>38</b>	<b>36</b>	<b>24</b>	<b>5.5x9.5x5.4</b>	<b>860</b>	<b>1370</b>	<b>180</b>
<b>LMF25UU</b>	<b>LMK25UU</b>	<b>LMH25UU</b>	6	<b>25</b>	<b>40</b>	<b>59</b>	<b>62</b>	<b>8</b>	<b>51</b>	<b>50</b>	<b>46</b>	<b>40</b>	<b>32</b>	<b>5.5x9.5x5.4</b>	<b>980</b>	<b>1560</b>	<b>340</b>
<b>LMF30UU</b>	<b>LMK30UU</b>	<b>LMH30UU</b>	6	<b>30</b>	<b>45</b>	<b>64</b>	<b>74</b>	<b>10</b>	<b>60</b>	<b>58</b>	<b>51</b>	<b>49</b>	<b>35</b>	<b>6.6x11x6.5</b>	<b>1560</b>	<b>2740</b>	<b>460</b>
LMF35UU	LMK35UU		6	35	52	70	82	10	67	64				6.6x11x6.5	1660	3130	795
<b>LMF40UU</b>	<b>LMK40UU</b>		6	<b>40</b>	<b>60</b>	<b>80</b>	<b>96</b>	<b>13</b>	<b>78</b>	<b>75</b>				<b>9x14x8.6</b>	<b>2150</b>	<b>4010</b>	<b>1054</b>
LMF50UU	<b>LMK50UU</b>		6	50	80	100	116	13	98	92				9x14x8.6	3820	7930	2200
<b>LMF60UU</b>	<b>LMK60UU</b>		6	<b>60</b>	<b>90</b>	<b>110</b>	<b>134</b>	<b>18</b>	<b>112</b>	<b>106</b>				<b>11x17.5x10.8</b>	<b>4700</b>	<b>9990</b>	<b>2960</b>

Regular stock items in bold type.



**Japanese Flanged Long**

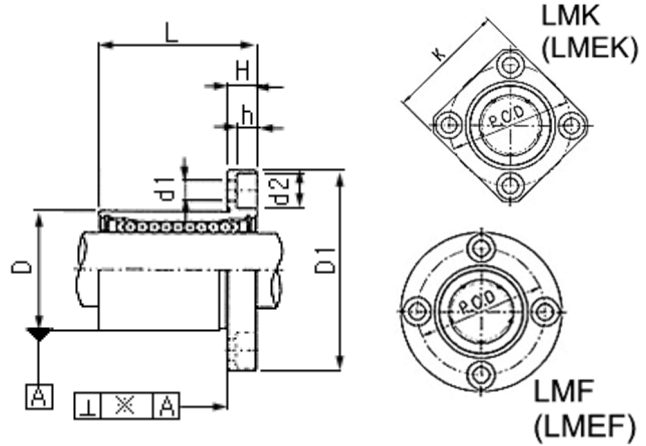


Type				Dimensions											Dynamic Load (50km)	Static Load	Mass
Circular	Square	Oval	# Circuits	d	D	L	D1	H	PCD	K	W	A	F	d1xd2xh	C (N)	Co (N)	gr.
LMF6LUU	<b>LMK6LUU</b>	LMH6LUU	4	6	12	35	28	5	20	22	18	20		3.4x6.5x3.3	320	520	31
LMF8LUU	<b>LMK8LUU</b>	LMH8LUU	4	8	15	45	32	5	24	25	21	24		3.4x6.5x3.3	430	780	53
LMF10LUU	<b>LMK10LUU</b>	LMH10LUU	4	10	19	55	40	6	29	30	25	29		4.5x8x4.4	580	1100	105
<b>LMF12LUU</b>	<b>LMK12LUU</b>	LMH12LUU	4	<b>12</b>	<b>21</b>	<b>57</b>	<b>42</b>	<b>6</b>	<b>32</b>	<b>32</b>	<b>27</b>	<b>32</b>		<b>4.5x8x4.4</b>	<b>650</b>	<b>1200</b>	<b>100</b>
LMF13LUU	LMK13LUU	LMH13LUU	4	13	23	61	43	6	33	34	29	33		4.5x8x4.4	810	1570	130
<b>LMF16LUU</b>	<b>LMK16LUU</b>	LMH16LUU	5	<b>16</b>	<b>28</b>	<b>70</b>	<b>48</b>	<b>6</b>	<b>38</b>	<b>37</b>	<b>34</b>	<b>31</b>	<b>22</b>	<b>4.5x8x4.4</b>	<b>1230</b>	<b>2350</b>	<b>187</b>
<b>LMF20LUU</b>	<b>LMK20LUU</b>	LMH20LUU	5	<b>20</b>	<b>32</b>	<b>80</b>	<b>54</b>	<b>8</b>	<b>43</b>	<b>42</b>	<b>38</b>	<b>36</b>	<b>24</b>	<b>5.5x9.5x5.4</b>	<b>1400</b>	<b>2750</b>	<b>260</b>
<b>LMF25LUU</b>	<b>LMK25LUU</b>	LMH25LUU	6	<b>25</b>	<b>40</b>	<b>112</b>	<b>62</b>	<b>8</b>	<b>51</b>	<b>50</b>	<b>46</b>	<b>40</b>	<b>32</b>	<b>5.5x9.5x5.4</b>	<b>1560</b>	<b>3140</b>	<b>515</b>
<b>LMF30LUU</b>	<b>LMK30LUU</b>	LMH30LUU	6	<b>30</b>	<b>45</b>	<b>123</b>	<b>74</b>	<b>10</b>	<b>60</b>	<b>58</b>	<b>51</b>	<b>49</b>	<b>35</b>	<b>6.6x11x6.5</b>	<b>2490</b>	<b>5490</b>	<b>655</b>
LMF35LUU	<b>LMK35LUU</b>		6	35	52	135	82	10	67	64				6.6x11x6.5	2650	6470	970
LMF40LUU	<b>LMK40LUU</b>		6	40	60	154	96	13	78	75				9x14x8.6	3430	8040	1560
LMF50LUU	<b>LMK50LUU</b>		6	50	80	192	116	13	98	92				9x14x8.6	6080	15900	3500
LMF60LUU	<b>LMK60LUU</b>		6	60	90	211	134	18	112	106				11x17.5x10.8	7650	20000	4500

Regular stock items in bold type.



## European Flanged



Type			Dimensions								Dynamic Load (50km)	Static Load	Mass
Circular	Square	# Circuits	d	D	L	D1	H	PCD	K	d1xd2xh	C (N)	Co (N)	gr.
LMEF8UU	LMEK8UU	4	8	16	25	32	5	24	25	3.4x6.5x3.3	260	400	44
LMEF12UU	LMEK12UU	4	12	22	32	42	6	32	32	4.5x8x4.4	410	590	86
LMEF16UU	LMEK16UU	5	16	26	36	46	6	36	35	4.5x8x4.4	770	1170	120
LMEF20UU	LMEK20UU	5	20	32	45	54	8	43	42	5.5x9.5x5.4	860	1370	184
LMEF25UU	LMEK25UU	6	25	40	58	62	8	51	50	5.5x9.5x5.4	980	1560	335
LMEF30UU	LMEK30UU	6	30	47	68	76	10	62	60	6.6x11x6.5	1560	2740	545
LMEF40UU	LMEK40UU	6	40	62	80	98	13	80	75	9x14x8.6	2150	4010	1185
LMEF50UU	LMEK50UU	6	50	75	100	112	13	94	88	9x14x8.6	3820	7930	1730
LMEF60UU	LMEK60UU	6	60	90	125	134	18	112	106	11x17.5x10.8	4700	9990	3180

## European Flanged Long



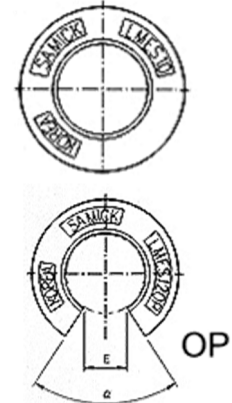
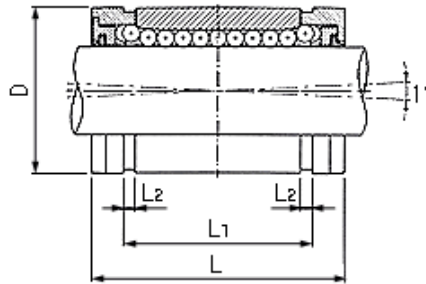
Type			Dimensions								Dynamic Load (50km)	Static Load	Mass
Circular	Square	# Circuits	d	D	L	D1	H	PCD	K	d1xd2xh	C (N)	Co (N)	gr.
LMEF8LUU	LMEK8LUU	4	8	16	45	32	5	24	25	3.4x6.5x3.3	430	780	53
LMEF12LUU	LMEK12LUU	4	12	22	57	42	6	32	32	4.5x8x4.4	650	1200	100
LMEF16LUU	LMEK16LUU	5	16	26	70	46	6	36	35	4.5x8x4.4	1230	2350	187
LMEF20LUU	LMEK20LUU	5	20	32	80	54	8	43	42	5.5x9.5x5.4	1400	2750	260
LMEF25LUU	LMEK25LUU	6	25	40	112	62	8	51	50	5.5x9.5x5.4	1560	3140	515
LMEF30LUU	LMEK30LUU	6	30	47	123	76	10	62	60	6.6x11x6.5	2490	5490	655
LMEF40LUU	LMEK40LUU	6	40	62	154	98	13	80	75	9x14x8.6	3430	8040	1560
LMEF50LUU	LMEK50LUU	6	50	75	192	112	13	94	88	9x14x8.6	6080	15900	3500
LMEF60LUU	LMEK60LUU	6	60	90	211	134	18	112	106	11x17.5x10.8	7650	20000	4500





### Super ball – Long life self-aligning

These types are dimensionally equivalent to LME series bushes. Load is carried from the shaft through the balls and onto crowned, hardened load bearing inserts. The inserts, return tubes and end seals and encapsulated in an engineering plastic frame.



	# Circuits	Dimensions					Dynamic Load (50km)	Static Load	Mass
		d	D	L	L1	L2			
<b>LMES10UU</b>	<b>5</b>	<b>10</b>	<b>19</b>	<b>29</b>	<b>21.7</b>	<b>1.35</b>	<b>750</b>	<b>550</b>	<b>17</b>
<b>LMES12UU</b>	<b>5</b>	<b>12</b>	<b>22</b>	<b>32</b>	<b>22.7</b>	<b>1.35</b>	<b>1230</b>	<b>1100</b>	<b>23</b>
<b>LMES16UU</b>	<b>5</b>	<b>16</b>	<b>26</b>	<b>36</b>	<b>24.7</b>	<b>1.35</b>	<b>1550</b>	<b>1250</b>	<b>28</b>
<b>LMES20UU</b>	<b>6</b>	<b>20</b>	<b>32</b>	<b>45</b>	<b>31.3</b>	<b>1.65</b>	<b>2580</b>	<b>1670</b>	<b>61</b>
<b>LMES25UU</b>	<b>6</b>	<b>25</b>	<b>40</b>	<b>58</b>	<b>43.8</b>	<b>1.9</b>	<b>3800</b>	<b>2750</b>	<b>122</b>
<b>LMES30UU</b>	<b>6</b>	<b>30</b>	<b>47</b>	<b>68</b>	<b>51.8</b>	<b>1.9</b>	<b>4710</b>	<b>2800</b>	<b>185</b>
<b>LMES40UU</b>	<b>6</b>	<b>40</b>	<b>62</b>	<b>80</b>	<b>60.4</b>	<b>2.2</b>	<b>6500</b>	<b>5720</b>	<b>360</b>
<b>LMES50UU</b>	<b>6</b>	<b>50</b>	<b>75</b>	<b>100</b>	<b>77.4</b>	<b>2.7</b>	<b>11460</b>	<b>7940</b>	<b>580</b>

Regular stock items in bold type.

### Open Super ball

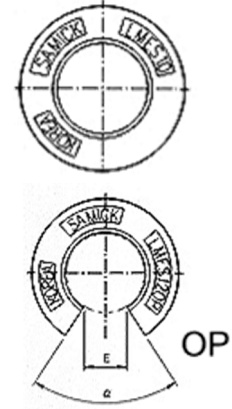
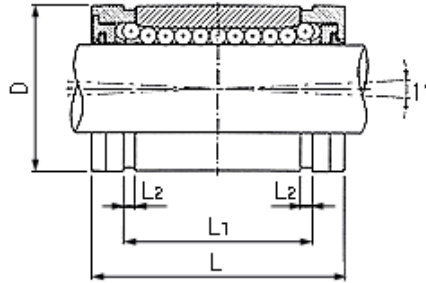
Open type have a pin hole to suit retaining keys of open case units.

	# Circuits	Dimensions					Opening Angle	F	G	J	Dynamic Load (50km)	Static Load	Mass
		d	D	L	L2	h							
<b>LMES12UUOP</b>	<b>4</b>	<b>12</b>	<b>22</b>	<b>32</b>	<b>1.35</b>	<b>6.5</b>	<b>66</b>	<b>3</b>	<b>0.7</b>	<b>1290</b>	<b>1260</b>	<b>18</b>	
<b>LMES16UUOP</b>	<b>4</b>	<b>16</b>	<b>26</b>	<b>36</b>	<b>1.35</b>	<b>9</b>	<b>68</b>	<b>3</b>	<b>0.7</b>	<b>1640</b>	<b>1320</b>	<b>22</b>	
<b>LMES20UUOP</b>	<b>5</b>	<b>20</b>	<b>32</b>	<b>45</b>	<b>1.65</b>	<b>9</b>	<b>55</b>	<b>3</b>	<b>0.9</b>	<b>2630</b>	<b>1720</b>	<b>51</b>	
<b>LMES25UUOP</b>	<b>5</b>	<b>25</b>	<b>40</b>	<b>58</b>	<b>1.9</b>	<b>11.5</b>	<b>57</b>	<b>3</b>	<b>1.5</b>	<b>3910</b>	<b>2850</b>	<b>102</b>	
<b>LMES30UUOP</b>	<b>5</b>	<b>30</b>	<b>47</b>	<b>68</b>	<b>1.9</b>	<b>14</b>	<b>57</b>	<b>3</b>	<b>2</b>	<b>4850</b>	<b>2900</b>	<b>155</b>	
<b>LMES40UUOP</b>	<b>5</b>	<b>40</b>	<b>62</b>	<b>80</b>	<b>2.2</b>	<b>19.5</b>	<b>56</b>	<b>3</b>	<b>1.5</b>	<b>6700</b>	<b>5900</b>	<b>300</b>	
<b>LMES50UUOP</b>	<b>5</b>	<b>50</b>	<b>75</b>	<b>100</b>	<b>2.7</b>	<b>22.5</b>	<b>54</b>	<b>3</b>	<b>2.5</b>	<b>11700</b>	<b>8100</b>	<b>480</b>	

Regular stock items in bold type.



## Imperial Super Ball – Long life self-aligning



	# Circuits	Dimensions					Dynamic Load (50km)	Static Load	Mass
		d	D	L	L1	L2			
<b>LMBS4UU</b>	4	1/4"	1/2"	3/4"	0.511/0.501"	0.039"	57	49	4.536
<b>LMBS6UU</b>	4	3/8"	5/8"	7/8"	0.699/0.689"	0.039"	78	66	9.072
<b>LMBS8UU</b>	4	1/2"	7/8"	1-1/4"	1.032/1.012"	0.05"	190	190	22.68
<b>LMBS10UU</b>	5	5/8"	1-1/8"	1-1/2"	1.105/1.095"	0.056"	290	340	36.29
<b>LMBS12UU</b>	6	3/4"	1-1/4"	1-5/8"	1.270/1.250"	0.056"	500	430	63.5
<b>LMBS16UU</b>	6	1"	1-9/16"	2-1/4"	1.884/1.864"	0.07"	820	780	131.5
<b>LMBS20UU</b>	6	1-1/4"	2"	2-5/8"	2.004/1.984"	0.068"	1240	1270	181.4
<b>LMBS24UU</b>	6	1-1/2"	2-3/8"	3"	2.410/2.390"	0.086"	1510	1540	362.9
<b>LMBS32UU</b>	6	2	3"	4"	3.193/3.163"	0.105"	2230	2580	626

Regular stock items in bold type

## Imperial Open Super Ball

Open type have a pin hole to suit retaining keys of open case units.

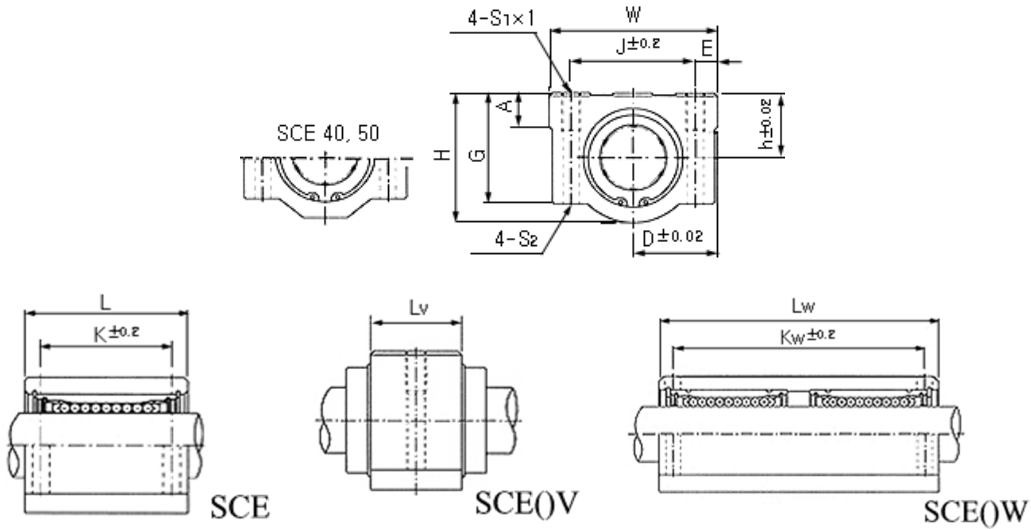
	# Circuits	d	D	L	L2	h	Opening Angle			Dynamic Load (50km)	Static Load	Mass	
							Degrees	F	G				J
<b>LMBS8UUOP</b>	3	1/2"	7/8"	1-1/4"	0.05"	0.32"	30	0.14"	0.63"	Thru	210	190	13.61
<b>LMBS10UUOP</b>	4	5/8"	1-1/8"	1-1/2"	0.056"	0.38"	30	0.11"	0.13"	0.039"	320	340	27.22
<b>LMBS12UUOP</b>	5	3/4"	1-1/4"	1-5/8"	0.056"	0.43"	30	0.14"	0.13"	0.059"	510	430	49.9
<b>LMBS16UUOP</b>	5	1"	1-9/16"	2-1/4"	0.07"	0.56"	30	0.14"	0.13"	0.047"	830	780	95.25
<b>LMBS20UUOP</b>	5	1-1/4"	2"	2-5/8"	0.068"	0.63"	30	0.2"	0.19"	0.09"	1250	1270	158.8
<b>LMBS24UUOP</b>	5	1-1/2"	2-3/8"	3"	0.086"	0.75"	30	0.2"	0.19"	0.09"	1520	1540	303.9
<b>LMBS32UUOP</b>	5	2	3"	4"	0.105"	1.00"	30	0.27"	0.31"	Thru	2250	2580	499

Regular stock items in bold type.

1 lbf = 4.448N



**European Housing**



	Standard			Wide			Short			Dimensions											
	K	L	Mass (gr)	Kw	Lw	mass	Lv	Mass	d	h	D	W	H	G	A	J	E	S1x1	S2		
<b>SCE8</b>	<b>18</b>	<b>30</b>	<b>36</b>	<b>SCE8W</b>	<b>42</b>	<b>58</b>	<b>58</b>	<b>SCE8V</b>	<b>14.4</b>	<b>20</b>	8	11	17	34	22	18	6	24	5	M4x8	3.4
<b>SC10</b>	<b>21</b>	<b>35</b>	<b>60</b>	<b>SC10W</b>	<b>46</b>	<b>68</b>	<b>87</b>	<b>SC10V</b>	<b>19.5</b>	<b>33</b>	10	13	20	40	26	21	8	28	6	M5x10	4.3
<b>SCE12</b>	<b>26</b>	<b>39</b>	<b>77</b>	<b>SCE12W</b>	<b>64</b>	<b>77</b>	<b>150</b>	<b>SCE12V</b>	<b>20.3</b>	<b>41</b>	12	15	22	44	30	24.5	8	33	5.5	M5x10	4.3
<b>SCE16</b>	<b>34</b>	<b>44</b>	<b>123</b>	<b>SCE16W</b>	<b>79</b>	<b>89</b>	<b>246</b>	<b>SCE16V</b>	<b>22.3</b>	<b>65</b>	16	19	25	50	38.5	32.5	9	36	7	M5x12	4.3
<b>SCE20</b>	<b>40</b>	<b>53</b>	<b>154</b>	<b>SCE20W</b>	<b>90</b>	<b>106</b>	<b>308</b>	<b>SCE20V</b>	<b>28.3</b>	<b>85</b>	20	21	27	54	41	35	11	40	7	M6x12	5.2
<b>SCE25</b>	<b>50</b>	<b>67</b>	<b>335</b>	<b>SCE25W</b>	<b>119</b>	<b>136</b>	<b>670</b>	<b>SCE25V</b>	<b>40.4</b>	<b>185</b>	25	26	38	76	51.5	41	12	54	11	M8x18	6.8
<b>SCE30</b>	<b>58</b>	<b>76</b>	<b>435</b>	<b>SCE30W</b>	<b>132</b>	<b>154</b>	<b>875</b>	<b>SCE30V</b>	<b>48.4</b>	<b>245</b>	30	30	39	78	59.5	49	15	58	10	M8x18	6.8
<b>SCE40</b>	<b>60</b>	<b>90</b>	<b>995</b>	<b>SCE40W</b>	<b>150</b>	<b>180</b>	<b>1990</b>	<b>SCE40V</b>	<b>56.4</b>	<b>615</b>	40	40	51	102	78	62	20	80	11	M10x25	8.6
<b>SCE50</b>	<b>80</b>	<b>110</b>	<b>1820</b>	<b>SCE50W</b>	<b>200</b>	<b>230</b>	<b>3660</b>	<b>SCE50V</b>	<b>72.3</b>	<b>770</b>	50	52	61	122	102	80	24	100	11	M10x25	8.6

Regular stock items in bold type.

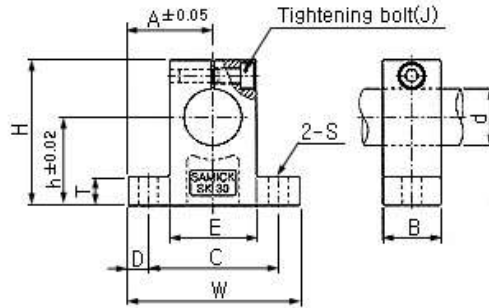
Housing for Japanese bushes are available on indent.

All data is for housings without bushes.

Can be assembled with Simplicity plain bush, Super ball or standard ball bushes.



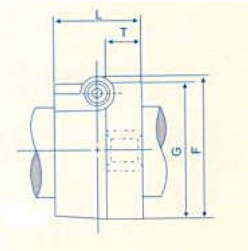
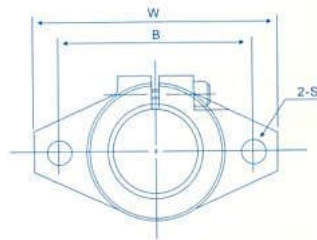
## Block Type Shaft Support



	Dimensions												Mass gr.
	d	h	A	W	H	T	E	D	C	B	S	J	
SK8	8	20	21	42	32.8	6	18	5	32	14	5.5	M4	24
<b>SK10</b>	<b>10</b>	<b>20</b>	<b>21</b>	<b>42</b>	<b>32.8</b>	<b>6</b>	<b>18</b>	<b>5</b>	<b>32</b>	<b>14</b>	<b>5.5</b>	<b>M4</b>	<b>24</b>
SK12	12	23	21	42	38	6	20	5	32	14	5.5	M4	30
SK13	13	23	21	42	38	6	20	5	32	14	5.5	M4	30
SK16	16	27	24	48	44	8	25	5	38	16	5.5	M4	40
SK20	20	31	30	60	51	10	30	7.5	45	20	6.6	M5	70
SK25	25	35	35	70	60	12	38	7	56	24	6.6	M6	130
SK30	30	42	42	84	70	12	44	10	64	28	9	M6	180
SK35	35	50	49	98	85	15	50	12	74	32	11	M8	270
SK40	40	60	57	114	96	15	60	12	90	36	11	M8	420
SK50	50	70	62.5	125	120	18	74	12.5	100	40	14	M12	750

Regular stock items in bold type.

## Flanged Type Shaft Support



	Dimensions								Adjusting Bolt Size	Mass gr.
	d	W	L	T	F	G	B	S		
SHF10	10	43	10	5	24	20	32	5.5	M4	13
<b>SHF12</b>	<b>12</b>	<b>47</b>	<b>13</b>	<b>7</b>	<b>28</b>	<b>25</b>	<b>36</b>	<b>5.5</b>	<b>M4</b>	<b>20</b>
SHF13	13	47	13	7	28	25	36	5.5	M4	20
<b>SHF16</b>	<b>16</b>	<b>50</b>	<b>16</b>	<b>8</b>	<b>31</b>	<b>28</b>	<b>40</b>	<b>5.5</b>	<b>M4</b>	<b>27</b>
SHF20	20	60	20	8	37	34	48	7	M5	40
<b>SHF25</b>	<b>25</b>	<b>70</b>	<b>25</b>	<b>10</b>	<b>42</b>	<b>40</b>	<b>56</b>	<b>7</b>	<b>M5</b>	<b>60</b>
SHF30	30	80	30	12	50	46	64	9	M6	110
<b>SHF35</b>	<b>35</b>	<b>92</b>	<b>35</b>	<b>14</b>	<b>58</b>	<b>50</b>	<b>72</b>	<b>12</b>	<b>M8</b>	<b>380</b>
SHF40	40	102	40	16	67	56	80	12	M10	510

Regular stock items in bold type.



### Hardened ground shafts

Linear shafting is suitable for most linear guide applications including pneumatic or hydraulic cylinder rods. Most sizes from 10 to 60mm are available in 3m maximum length and can be cut to required lengths. Shafts are made for linear applications and not manufactured to a roundness tolerance.



### Bearing steel shafts

- Material SUJ 2 bearing steel
- Chrome plated to 0.5-1.0µm
- Sizes from 5 to 60 from stock
- Induction hardened to H<sub>c</sub> 55°-64°
- Shaft tolerance g6
- Surface roughness less than 1.5s

Type	Dia mm	Max length mm	Max Stocked length mm	Effective case hardened depth mm	Weight kg/m
SFC3	3	400		>0.5	0.06
<b>SFC4</b>	<b>4</b>	<b>1000</b>	<b>1000</b>	<b>&gt;0.5</b>	<b>0.1</b>
<b>SFC5</b>	<b>5</b>	<b>1000</b>		<b>&gt;0.5</b>	<b>0.16</b>
<b>SFC6</b>	<b>6</b>	<b>1000</b>	<b>1000</b>	<b>&gt;0.5</b>	<b>0.23</b>
<b>SFC8</b>	<b>8</b>	<b>2000</b>	<b>2000</b>	<b>&gt;0.5</b>	<b>0.4</b>
<b>SFC10</b>	<b>10</b>	<b>2000</b>	<b>2000</b>	<b>&gt;1.0</b>	<b>0.62</b>
<b>SFC12</b>	<b>12</b>	<b>3000</b>	<b>3000</b>	<b>&gt;1.0</b>	<b>0.89</b>
<b>SFC13</b>	<b>13</b>	<b>3500</b>	<b>3500</b>	<b>&gt;1.0</b>	<b>1.04</b>
<b>SFC16</b>	<b>16</b>	<b>6000</b>	<b>3000</b>	<b>&gt;1.0</b>	<b>1.58</b>
<b>SFC20</b>	<b>20</b>	<b>6000</b>	<b>3000</b>	<b>&gt;1.5</b>	<b>2.47</b>
<b>SFC25</b>	<b>25</b>	<b>6000</b>	<b>3000</b>	<b>&gt;1.5</b>	<b>3.85</b>
<b>SFC30</b>	<b>30</b>	<b>6000</b>	<b>3000</b>	<b>&gt;2.0</b>	<b>5.55</b>
<b>SFC35</b>	<b>35</b>	<b>6000</b>	<b>3000</b>	<b>&gt;2.0</b>	<b>7.55</b>
<b>SFC40</b>	<b>40</b>	<b>6000</b>	<b>3000</b>	<b>&gt;2.0</b>	<b>9.87</b>
<b>SFC50</b>	<b>50</b>	<b>6000</b>	<b>3000</b>	<b>&gt;2.5</b>	<b>15.4</b>
<b>SFC60</b>	<b>60</b>	<b>6000</b>	<b>3000</b>	<b>&gt;2.5</b>	<b>22.2</b>
SFC80	80	6000		>2.5	39.5
SFC100	100	6000		>3.0	61.7
SFC120	120	6000		>3.0	88.8
SFC150	150	6000		>3.0	139

Type	Dia mm	Max length mm	Effective case hardened depth mm	Weight kg/m
<b>SFC1/4"</b>	<b>6.35</b>	<b>1000</b>	<b>&gt;0.5</b>	<b>0.25</b>
<b>SFC3/8"</b>	<b>9.525</b>	<b>2000</b>	<b>&gt;1.0</b>	<b>0.56</b>
<b>SFC1/2"</b>	<b>12.7</b>	<b>3000</b>	<b>&gt;1.0</b>	<b>0.99</b>
<b>SFC5/8"</b>	<b>15.875</b>	<b>3000</b>	<b>&gt;1.0</b>	<b>1.55</b>
<b>SFC3/4"</b>	<b>19.05</b>	<b>3000</b>	<b>&gt;1.5</b>	<b>2.24</b>
<b>SFC1"</b>	<b>25.4</b>	<b>3000</b>	<b>&gt;1.5</b>	<b>3.98</b>
<b>SFC1-1/4"</b>	<b>31.75</b>	<b>3000</b>	<b>&gt;2.0</b>	<b>6.22</b>
<b>SFC1-1/2"</b>	<b>38.1</b>	<b>3000</b>	<b>&gt;2.0</b>	<b>8.95</b>
SFC2"	50.8	3000	>2.0	15.81

Regular stock items in bold type.



## Stainless steel shafts

- Material SUS 440C
- Sizes from 6 to 40 from stock
- Imperial sizes also available on request
- Induction hardened to H<sub>r</sub>C 60°-64 °
- Shaft tolerance f6
- Surface roughness less than 1.5s

Type	Dia	Max length	Max stocked length	Effective case hardened depth	Weight
	mm	mm	mm	mm	kg/m
<b>SS6</b>	<b>6</b>	<b>1000</b>	<b>1000</b>	<b>&gt;0.5</b>	<b>0.22</b>
<b>SS8</b>	<b>8</b>	<b>1000</b>	<b>1000</b>	<b>&gt;0.5</b>	<b>0.39</b>
<b>SS10</b>	<b>10</b>	<b>2000</b>	<b>2000</b>	<b>&gt;1.0</b>	<b>0.61</b>
<b>SS12</b>	<b>12</b>	<b>2000</b>	<b>2000</b>	<b>&gt;1.0</b>	<b>0.88</b>
SS13	13	4000		>1.0	1.03
<b>SS16</b>	<b>16</b>	<b>5000</b>	<b>3000</b>	<b>&gt;1.0</b>	<b>1.56</b>
<b>SS20</b>	<b>20</b>	<b>6000</b>	<b>3000</b>	<b>&gt;1.5</b>	<b>2.43</b>
<b>SS25</b>	<b>25</b>	<b>6000</b>	<b>3000</b>	<b>&gt;1.5</b>	<b>3.8</b>
<b>SS30</b>	<b>30</b>	<b>6000</b>	<b>3000</b>	<b>&gt;2.0</b>	<b>5.48</b>
SS35	35	6000		>2.0	7.23
<b>SS40</b>	<b>40</b>	<b>6000</b>	<b>3000</b>	<b>&gt;2.0</b>	<b>9.44</b>
SS50	50	6000		>2.5	15.2

Regular stock items in bold type.

## Support rail

Support rail components and assemblies can also be supplied. In practice this type of solutions severely reduces load capacities and is susceptible to environment contamination. For new applications rail solutions such as compact rail and LM profile rail are recommended.

