

Professional Audio/ Video Conversion

VII, DVI-D, DVI-I, HDMI
HD, Component, RGB

Shinybow®

HOME APPLIANCE & PC Peripheral

Composite Video, S-Video, Component Video

SCART, VGA, Digital, DVI, HDMI

CAT5

SHINYBOW™

www.shinybow.com.tw & www.shinybow.com

INDEX

CAT5

- 3 in 1 COMPONENT VIDEO - DIGITAL AUDIO - STEREO AUDIO P- 03
- COMPONENT VIDEO - DIGITAL AUDIO - STEREO AUDIO P- 04
- VGA - DIGITAL AUDIO - STEREO AUDIO P- 05
- COMPOSITE VIDEO - DIGITAL AUDIO - STEREO AUDIO P- 06

HDMI - DVI

- HDMI - DVI SWITCHER P- 07
- HDMI - DVI AMPLIFIER P- 08
- HDMI - DVI CONVERTER P- 10

VGA

- VGA MATRIX SWITCHER P- 11
- VGA AMPLIFIER P- 12

SCART

- SCART SWITCHER P- 14
- SCART AMPLIFIER P- 15
- SCART CONVERTER P- 16

VIDEO BOOSTER

- COMPONENT, S-VIDEO, AUDIO P- 17

HDTV -COMPONENT VIDEO

- COMPONENT AMPLIFIER P- 18
- COMPONENT SWITCHER P- 21

S-VIDEO & COMPOSITE

- S-VIDEO& VIDEO SWITCHER P- 24
- COMPOSITE VIDEO SWITCHER P- 26
- AV DISTRIBUTION AMPLIFIER P- 30
- S-VIDEO AMPLIFIER P- 32

AUDIO

- STEREO AUDIO SWITCHER P- 29
- STEREO AUDIO AMPLIFIER P- 30

NTSC-PAL CONVERTER

- TV VIDEO SYSTEM CONVERTER P- 33

SB-6950 TRANSMITTER



Key Features

- Support Component / Digital audio / Composite Video Extender
- Triple high speed differential driver
225 Mhz, -3dB large signal bandwidth
450 Mhz, -3dB small signal bandwidth
- Support HDTV resolution 480p, 576p, 720p, 1080i
- High isolation between amplifiers : 80 dB @ 10 MHz
- Support three groups signals in one extender
 1. Component Video (YPbPr)
 2. Digital Audio(PCM) and Stereo Audio(AR/AL)
 3. Composite Video and Stereo Audio(AR/AL)
- Category UTP cable maximum length to 1000 ft
- Enclosure type : wall mount metal case
- Support Lower power consumed full load under 350 mA

SB-6930 REPEATER+RECEIVER



Key Features

- Support Component/Digital audio/Composite Video Repeater Receiver
- High speed 160 Mhz, large signal bandwidth
- Support HDTV resolution 480p, 576p, 720p, 1080i
- Input : differential or single ended
- Support three groups signals in one Repeater
 1. Component Video (YPbPr)
 2. Digital Audio(PCM) and Stereo Audio(AR/AL)
 3. Composite Video and Stereo Audio(AR/AL)
- Tuned to compensate for Category-5 (CAT5) cable losses Up to 100 meters @120MHz
- 2 voltage-controlled frequency response adjustment pins
- Low output noise: 1.5mV rms integrated noise(1GHz)@100 meters
- Equalized pass-band ripple ± 1 dB to 70 Mhz
- Enclosure type : wall mount metal case
- Support Lower power consumed full load under 350 mA

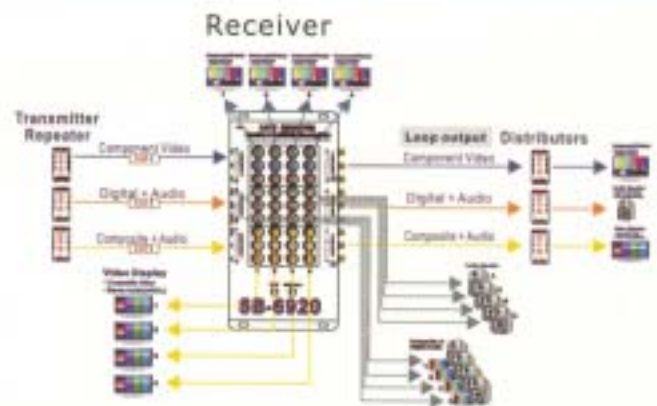
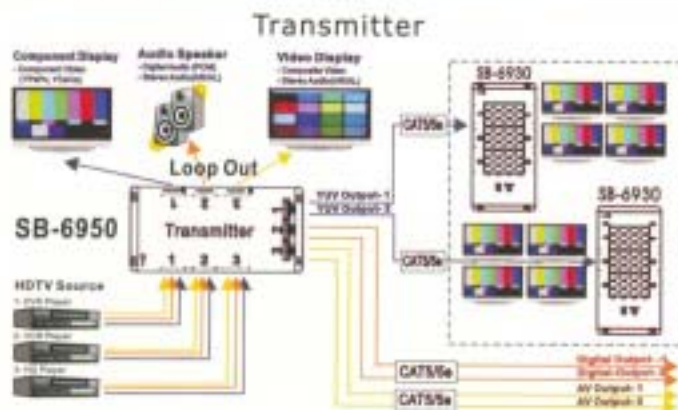
SB-6920 RECEIVER



Key Features

- Support Component/Digital audio/Composite Video CAT5 Receiver
- High speed 160 Mhz, large signal bandwidth
- Support HDTV resolution 480p, 576p, 720p, 1080i, 1080P
- Input : differential or single ended
- Support three groups signals in one Repeater
 1. Component Video (YPbPr)
 2. Digital Audio(PCM) and Stereo Audio(AR/AL)
 3. Composite Video and Stereo Audio(AR/AL)
- Tuned to compensate for Category-5 (CAT5) cable losses Up to 100 meters @120MHz
- 2 voltage-controlled frequency response adjustment pins
- Low output noise: 1.5mV rms integrated noise(1GHz)@100 meters
- Equalized pass-band ripple ± 1 dB to 70 Mhz
- Enclosure type : wall mount metal case
- Support Lower power consumed full load under 375 mA

Installing



SB-6130 TRANSMITTER

- Input : 1x Component Video (YPbPr)
- Output: 1x CAT5 Distribution Amplifier



Key Features

- Support Component Video CAT5 Transmitter
- Triple high speed differential driver
- 225 Mhz, -3dB large signal bandwidth
- 450 Mhz, -3dB small signal bandwidth
- Support HDTV resolution 480p, 576p, 720p, 1080i
- Category UTP cable maximum length to 1000 ft
- Enclosure type : wall mountable
- Support Lower power consumed full load under 300 mA

SB-6130R RECEIVER

- Input : 1x CAT5 (Component Video)
- Output: 1x Component Video (YPbPr)



Key Features

- Support Component Video CAT5 Receiver
- High speed 160 Mhz, large signal bandwidth
- Support HDTV resolution 480p, 576p, 720p, 1080i
- Low output noise:1.5mV rms integrated noise(1GHz)@100 meters
- Support Brightness and TINT controlled frequency response adjustment pins
- Category UTP cable maximum length to 1000 ft
- Enclosure type : wall mount metal case
- Support Lower power consumed full load under 300 mA

SB-6230 TRANSMITTER

- Input : 1x Component Video (YPbPr)
- Output: 2x CAT5 Distribution Amplifiers



Key Features

- Support Component Video CAT5 Transmitter
- Triple high speed differential driver
- 225 Mhz, -3dB large signal bandwidth
- 450 Mhz, -3dB small signal bandwidth
- Support HDTV resolution 480p, 576p, 720p, 1080i
- Category UTP cable maximum length to 1000 ft
- Enclosure type : wall mountable
- Support 2 Component CAT5 Distribution Outputs
- Support Lower power consumed full load under 300 mA

SB-6230R REPEATER+RECEIVER

- Input : 1x CAT5 Component Video (YPbPr)
- Output: 1x Component Video (YPbPr)
- Loop Output : 1x CAT5 Repeater



Key Features

- Support Component Video CAT5 Repeater and Receiver
- High speed 160 Mhz, large signal bandwidth
- Support HDTV resolution 480p, 576p, 720p, 1080i
- Low output noise:1.5mV rms integrated noise(1GHz)@100 meters
- Support Brightness and TINT controlled frequency response adjustment pins
- Support Loop output function with CAT5 Repeater
- Enclosure type : wall mount metal case
- Support Lower power consumed full load under 300 mA

SB-6330 TRANSMITTER

- Input : 1x Component Video (YPbPr)
- 1x Digital(PCM)+Stereo Audio
- Output: 2x CAT5 Component Extenders
- 2x CAT5 Digital+Audio Extenders



Key Features

- Support 2 to 2 Component & Optical/Digital/Audio CAT5 Transmitter
- Triple high speed differential driver
- 225 Mhz, -3dB large signal bandwidth
- 450 Mhz, -3dB small signal bandwidth
- Support HDTV resolution 480p, 576p, 720p, 1080i
- Category UTP cable maximum length to 1000 ft
- Enclosure type : wall mountable
- Support 4 VGA+Audio Distribution Amplifier Outputs
- Support Lower power consumed full load under 300 mA

SB-6330R RECEIVER

- Input : 1x CAT5 Component Video (YPbPr)
- 1x CAT5 Digital(PCM)+Audio
- Output: 1x Component Video (YPbPr)
- 1x Digital(PCM)+Stereo Audio



Key Features

- Support 2 to 2 Component & Optical/Digital/Audio CAT5 Receiver
- High speed 160 Mhz, large signal bandwidth
- Support HDTV resolution 480p, 576p, 720p, 1080i
- Support Brightness and TINT controlled frequency response adjustment pins
- Low output noise:1.5mV rms integrated noise(1GHz)@100 meters
- Equalized pass-band ripple + 1dB to 70 Mhz
- 2 voltage-controlled frequency response adjustment pins
- Enclosure type : wall mount metal case
- Support Lower power consumed full load under 300 mA

SB-6110 TRANSMITTER

- Input : 1x VGA(RGBHV) + Stereo Audio
- Output: 1x CAT5 Distribution Amplifier



Key Features

- Support VGA RGBHV Video and Audio CAT5 Transmitter
- Triple high speed differential driver
 - 225 Mhz, -3dB large signal bandwidth
 - 450 Mhz, -3dB small signal bandwidth
- Support resolution VGA, SVGA, XGA, UXGA, WUXGA
- Category UTP cable maximum length to 1000 ft
- Enclosure type : wall mountable
- Support Lower power consumed full load under 300 mA

SB-6110R RECEIVER

- Input : 1x CAT5 (VGA+Audio)
- Output: VGA(RGBHV) + Stereo Audio



Key Features

- Support VGA RGBHV Video and Audio CAT5 Receiver
- High speed 160 Mhz, large signal bandwidth
- Support resolution VGA, SVGA, XGA, UXGA, WUXGA
- Low output noise: 1.5mV rms integrated noise(1GHz)@100 meters
- Support Brightness and TINT controlled frequency response adjustment pins
- Tuned to compensate for Category-5 (VAT5) cable losses Up to 100 meters @120MHz
- Enclosure type : wall mount metal case
- Support Lower power consumed full load under 300 mA

SB-6210 TRANSMITTER

- Input : 1x VGA(RGBHV) + Stereo Audio
- Output: 2x CAT5 Distribution Amplifiers



Key Features

- Support VGA RGBHV Video and Audio CAT5 Transmitter
- Triple high speed differential driver
 - 225 Mhz, -3dB large signal bandwidth
 - 450 Mhz, -3dB small signal bandwidth
- Support resolution VGA, SVGA, XGA, UXGA, WUXGA
- Category UTP cable maximum length to 1000 ft
- Enclosure type : wall mountable
- Support 2 VGA CAT5 Outputs Distribution Outputs
- Support Lower power consumed full load under 300 mA

SB-6210R REPEATER+RECEIVER

- Input : 1x CAT5 (VGA+Audio) Receiver
- Output: 1x VGA(RGBHV)+Stereo Audio
- Loop Output : 1x CAT5 Repeater



Key Features

- Support VGA RGBHV Video/Audio CAT5 Repeater and Receiver
- High speed 160 Mhz, large signal bandwidth
- Support resolution VGA, SVGA, XGA, UXGA, WUXGA
- Low output noise: 1.5mV rms integrated noise(1GHz)@100 meters
- Support Brightness and TINT controlled frequency response adjustment pins
- Category UTP cable maximum length to 1000 ft
- Enclosure type : wall mount metal case
- Support Lower power consumed full load under 300 mA

SB-6310 TRANSMITTER

- Input : 1x VGA(RGBHV)+Stereo Audio
- Outputs: 1x VGA(RGBHV)+Stereo Audio
- 4x CAT5 Distribution Amplifier



Key Features

- Support VGA RGBHV Video+Audio CAT5 Transmitter
- Triple high speed differential driver
 - 225 Mhz, -3dB large signal bandwidth
 - 450 Mhz, -3dB small signal bandwidth
- Support resolution VGA, SVGA, XGA, UXGA, WUXGA
- Category UTP cable maximum length to 1000 ft
- Enclosure type : wall mountable
- Support 4 VGA+Audio Distribution Amplifier Outputs
- Support Lower power consumed full load under 300 mA

SB-6310R REPEATER + RECEIVER

- Input : 1x CAT5 (VGA+Audio)
- Output: 2x VGA(RGBHV)+Stereo Audio
- Loop Output : 1x CAT5 Repeater



Key Features

- Support VGA RGBHV Video+Audio CAT5 Receiver
- High speed 160 Mhz, large signal bandwidth
- Support resolution VGA, SVGA, XGA, UXGA, WUXGA
- Tuned to compensate for Category-5 (VAT5) cable losses Up to 100 meters @120MHz
- Low output noise: 1.5mV rms integrated noise(1GHz)@100 meters
- Equalized pass-band ripple + 1dB to 70 Mhz
- Support Brightness and TINT controlled frequency response adjustment pins
- Enclosure type : wall mount metal case
- Support Lower power consumed full load under 375 mA

SB-6135 TRANSMITTER

- Input : 1x Digital Audio(PCM)+Stereo Audio
- Output: 1x CAT5 Distribution Amplifier



Key Features

- Support Digital(PCM) / Stereo Audio CAT5 Transmitter
- Triple high speed differential driver
- 225 Mhz, -3dB large signal bandwidth
- 450 Mhz, -3dB small signal bandwidth
- Build in 2 in 1 Digital Audio(PCM) and Stereo Audio(AR/AL) Transmitter
- Category UTP cable maximum length to 1000 ft
- Enclosure type : wall mountable
- Support Lower power consumed full load under 300 mA

SB-6135R RECEIVER

- Input : 1x CAT5 Digital+Audio
- Output: 1x Digital Audio(PCM)+Stereo Audio



Key Features

- Support Digital Audio (PCM) and Stereo Audio CAT5 Receiver
- High speed 160 Mhz, large signal bandwidth
- Build in 2 in 1 Digital Audio and Stereo Audio CAT5 Receiver
- Low output noise:1.5mV rms integrated noise(1GHz)@100 meters
- Support Brightness and TINT controlled frequency response adjustment pins
- Category UTP cable maximum length to 1000 ft
- Enclosure type : wall mount metal case
- Support Lower power consumed full load under 300 mA

SB-6235 TRANSMITTER

- Input : 1x Digital Audio(PCM) + Stereo Audio
- Outputs: 2x CAT5 Distribution Amplifiers



Key Features

- Support Digital Audio (PCM) and Stereo Audio CAT5 Transmitter
- Triple high speed differential driver
- 225 Mhz, -3dB large signal bandwidth
- 450 Mhz, -3dB small signal bandwidth
- Build in 2 in 1 Digital Audio(PCM) and Stereo Audio(AR/AL) Transmitter
- Category UTP cable maximum length to 1000 ft
- Enclosure type : wall mountable
- Support 2x Digital/Audio CAT5 Distribution Amplifier Outputs
- Support Lower power consumed full load under 300 mA

SB-6235R REPEATER+RECEIVER

- Input : 1x CAT5 Digital(PCM)+Stereo Audio
- Output: 1x Digital(PCM)+Stereo Audio
- Loop Output: 1x CAT5 Distribution Amplifier



Key Features

- Support Digital Audio (PCM) and Stereo Audio CAT5 Repeater and Receiver
- High speed 160 Mhz, large signal bandwidth
- Build in 2 in 1 Digital Audio and Stereo Audio CAT5 Repeater and Receiver
- Low output noise:1.5mV rms integrated noise(1GHz)@100 meters
- Support Brightness and TINT controlled frequency response adjustment pins
- Support Loop output function with CAT5 Repeater
- Enclosure type : wall mount metal case
- Support Lower power consumed full load under 300 mA

SB-6250 TRANSMITTER

- Input : 4x Composite Video
- Outputs: 2x CAT5 Distribution Amplifiers



Key Features

- Support 4 to 4 Composite Video CAT5 Transmitter
- Triple high speed differential driver
- 225 Mhz, -3dB large signal bandwidth
- 450 Mhz, -3dB small signal bandwidth
- Build in 4 in 1 Composite Video CAT5 Transmitter
- Category UTP cable maximum length to 1000 ft
- Enclosure type : wall mountable
- Support 2 CAT5 Distribution Amplifier Outputs
- Support Lower power consumed full load under 300 mA

SB-6250R REPEATER + RECEIVER

- Input : 1x Composite Video
- Outputs: 4x Composite Video
- Loop Output: 1x CAT5 Distribution Amplifier



Key Features

- Support 4 to 4 Composite Video CAT5 Repeater and Receiver
- High speed 160 Mhz, large signal bandwidth
- Build in 4 in 1 Composite Video CAT5 Repeater and Receiver
- Support Brightness and TINT controlled frequency response adjustment pins
- Low output noise:1.5mV rms integrated noise(1GHz)@100 meters
- Equalized pass-band ripple + 1dB to 70 Mhz
- Support Loop output function with CAT5 Repeater
- Enclosure type : wall mount metal case
- Support Lower power consumed full load under 300 mA

SB-5601 2:1 HDMI SWITCHER


FEATURES

- * Support HDCP
- * Digital Signal Amp.

Input : 2x HDMI
Output: 1x HDMI

 SB-5602 2:1 DVI SWITCHER


FEATURES

- * Support HDCP
- * Digital Signal Amp.

Input : 2x DVI
Output: 1x DVI

 SB-5604 4:1 HDMI SWITCHER


FEATURES

- * Support 4 HDMI inputs
- * Support HDCP
- * Support RS 232 control
- * IR Remote Controller
- * Digital Signal Amp.

Input : 4x HDMI
Output: 1x HDMI

 SB-5605 4:1 HDMI - **DIGITAL** - OPTICAL SWITCHER


Ear mount Type



FEATURES

- * Support 4 HDMI inputs
- * Support HDCP
- * Support S/PDIF
- * Support RS 232 control
- * IR Remote Controller
- * Digital Signal Amp.
- * Switch - Digital Audio
- * Switch - Optical

Input : 4x HDMI(with HDCP)
4x Digital Audio(PCM)
4x Optical(Toslink)
RS 232 - DB-9F

Output: 1x HDMI
1x Digital Audio(PCM)
1x Optical(Toslink)

SB-5651 1:2 DVI-I Distribution Amplifier



FEATURES

- * Input : 1x DVI-I
- * Output: 2x DVI-I
- * Support HDCP
- * High Signal Bandwidth
- * Support HD Resolution
- * Digital Signal Amp.
- * Wall Mount Type
- * Power:DC+12V
- * W-D-H : 112 x 140 x 27mm

SB-5652 1:2 HDMI Distribution Amplifier



FEATURES

- * Input : 1x HDMI
- * Output: 2x HDMI
- * Support HDCP
- * High Signal Bandwidth
- * Support HD Resolution
- * Digital Signal Amp.
- * Wall Mount Type
- * Power:DC+12V
- * W-D-H : 112 x 140 x 27mm

SB-5653 1:4 DVI-I Distribution Amplifier



FEATURES

- * Input : 1x DVI-I
- * Output: 4x DVI-I
- * Support HDCP
- * High Signal Bandwidth
- * Support HD Resolution
- * Auto Scan use state
- * Manu Based Resolution
- * Digital Signal Amp.
- * Ear Mount Type
- * Power : DC +12V
- * W-D-H : 304 x 150 x 44mm

SB-5654 1:4 HDMI Distribution Amplifier



FEATURES

- * Input : 1x HDMI
- * Output: 4x HDMI
- * Support HDCP
- * High Signal Bandwidth
- * Support HD Resolution
- * Auto Scan use state
- * Manu Based Resolution
- * Digital Signal Amp.
- * Ear Mount Type
- * Power : DC +12V
- * W-D-H : 304 x 150 x 44mm

SB-5657 1:8 DVI-I Distribution Amplifier



Ear mount type

FEATURES

- * Input : 1x DVI-I
- * Output: 8x DVI-I
- * Support HDCP
- * High Signal Bandwidth
- * Support HD Resolution
- * Auto Scan use state
- * Manu Based Resolution
- * Digital Signal Amp.
- * Support Ear Mount
- * Power : DC +12V
- * W-D-H : 440 x 200 x 44mm

SB-5657MRM



Rack mount type

SB-5658 1:8 HDMI Distribution Amplifier



Ear mount type

FEATURES

- * Input : 1x HDMI
- * Output: 8x HDMI
- * Support HDCP
- * High Signal Bandwidth
- * Support HD Resolution
- * Auto Scan use state
- * Manu Based Resolution
- * Digital Signal Amp.
- * Support Ear Mount
- * Power : DC +12V
- * W-D-H : 304 x 150 x 44mm

SB-5658MRM



Rack mount type

SB-3880 **HDMI To VGA/ COMPONENT VIDEO / STEREO AUDIO**



FEATURES

- * HDMI Digital signal
- * Adjust Audio volume
- * Switch VGA & YUV
- * Support Stereo Audio
- * Component -YPbPr or YCbCr
- * VGA-RGBHV

I/O information

- Input:
- * HDMI
 - * DC +12V.
- Output:
- * VGA
 - * Component Video(YUV)
 - * Stereo Audio(AR/AL)

SB-3879 **HDMI To VGA-DIGITAL / OPTICAL / STEREO AUDIO**



FEATURES

- * HDMI Digital signal
- * Adjust Audio volume
- * Support muting function
- * Support Stereo Audio
- * Support Digital Audio
- * Support Optical(Toslink)
- * VGA-RGBHV

I/O information

- Input:
- * HDMI
 - * DC +12V.
- Output:
- * VGA
 - * Digital Audio(PCM)
 - * Optical-Toslink S/PDIF
 - * Stereo Audio(AR/AL)

SB-3878 **HDMI To COMPONENT/ DIGITAL/ OPTICAL / STEREO AUDIO**



FEATURES

- * HDMI Digital signal
- * Adjust Audio volume
- * Support muting function
- * Support Stereo Audio
- * Support Digital Audio
- * Support Optical
- * Component Video(YUV) - YPbPr, YCbCr

I/O information

- Input:
- * HDMI
 - * DC +12V.
- Output:
- * Component Video(YPbPr)
 - * Digital Audio(PCM)
 - * Optical-S/PDIF(Toslink)
 - * Stereo Audio(AR/AL)

SB-3877 **HDMI To DVI-I / DIGITAL/OPTICAL/ STEREO AUDIO**



FEATURES

- * HDMI Digital signal
- * Adjust Audio volume
- * Support muting function
- * Support Stereo Audio
- * Support Digital Audio
- * Support Optical
- * DVI-I (Digital & Analog)

I/O information

- Input:
- * HDMI
 - * DC +12V.
- Output:
- * DVI-I (Digital+Analog)
 - * Digital Audio(PCM)
 - * Optical-S/PDIF(Toslink)
 - * Stereo Audio(AR/AL)

SB-3876 **HDMI To DVI-D / VGA/ STEREO AUDIO**



FEATURES

- * HDMI Digital signal
- * Adjust Audio volume
- * Support muting function
- * Support Stereo Audio
- * Support VGA-RGBHV
- * Support DVI-D (Digital)

I/O information

- Input:
- * HDMI
 - * DC +12V.
- Output:
- * DVI-D (Digital)
 - * VGA (RGBHV)
 - * Stereo Audio(AR/AL)

SB-4140 4:4 VGA SWITCHER



SB-4140 is a high speed Video Bandwidth 310MHz, Maximum 380 Mhz Matrix routing switcher. SB-4140 is one of the most innovative VGA/RGBHV switching products on the market Today. SB-4140 support wall mountable.

It has 4 individual inputs with 4 individual outputs. Because it is a matrix router, any input may be routed to any output; or the same input may be routed to all outputs or any combination, It completely eliminates the need to constantly move around VGA input and output cables.

The SB-4140 matrix switcher is ideally suited for High Definition LCD Television or Plasma display applications. Control is provided via Front pushbuttons with LED readout or IR remote controller. A RS 232 interface is provided for interfacing with third party control. A Windows-based control software package is included to provide complete control of the SB-4140 from a PC.

Key Features

- Support 4 inputs to 4 outputs VGA Matrix Switcher
- 8 x 8 high speed nonblocking switch arrays
- Complete solution. Buffered inputs. Eight output amplifier
- Video Bandwidth : 380MHz (-3dB), 200 mVp-p
- Excellent Video Performance
- Low power of 45mA
- Low all hostile crosstalk of -83 dB @ 5 Mhz
- Excellent ESD rating : exceeds 4000 V
- Switching RGBHV in LCD monitors and plasma displays
- Suitable for XGA, SXGA, UXGA, WUXGA(1920x1200) resolution displays
- Front pushbuttons with LED readout
- Infrared : IR remote control (38KHz)
- Support RS 232 interface control driver for 95/98/2000/xp
- A Windows-based control software Driver packaged
- RS 232 protocol list with manual attached
- Enclosure type : Support wall mountable
- Support Lower power consumed full load under 450 mA

SB-8180 8:8 VGA SWITCHER



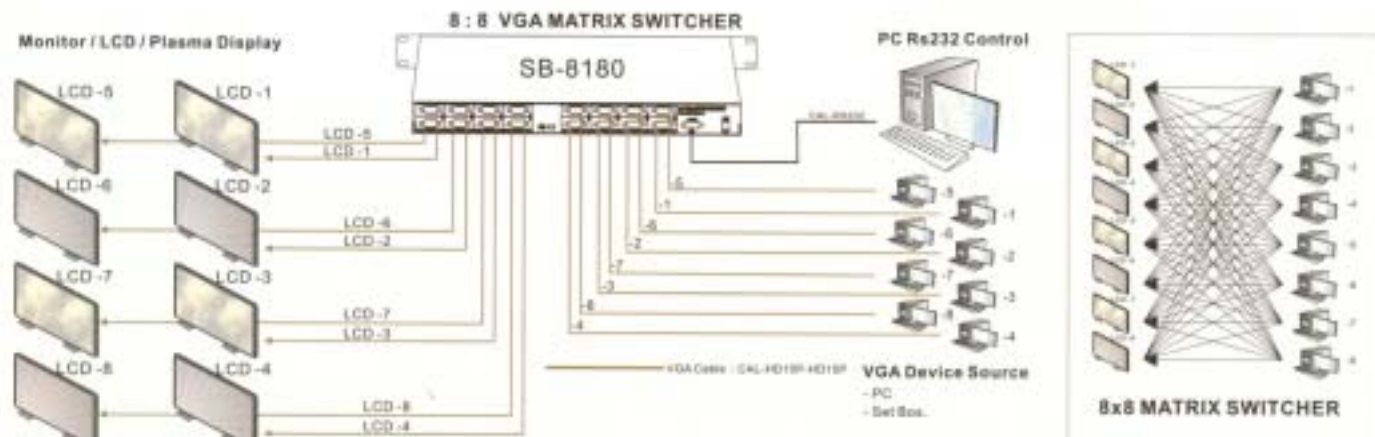
SB-8180MRM



Key Features

- Support 8 inputs to 8 outputs Matrix Switcher
- 8 x 8 high speed nonblocking switch arrays
- Complete solution. Buffered inputs. Eight output amplifier
- Video Bandwidth : 380MHz (-3dB), 200 mVp-p
- Excellent Video Performance
- Low power of 45mA
- Low all hostile crosstalk of -83 dB @ 5 Mhz
- Excellent ESD rating : exceeds 4000 V
- Switching RGBHV in LCD monitors and plasma displays
- Suitable for XGA, SXGA, UXGA, WUXGA(1920x1200) resolution displays
- Front pushbuttons with LED readout
- Infrared : IR remote control (38KHz)
- Support RS 232 interface control driver for 95/98/2000/xp
- A Windows-based control software Driver packaged
- RS 232 protocol list with manual attached
- Enclosure type : Support 19 inch Ear & Rack mountable panel
- Support Lower power consumed full load under 650 mA

Installing



SB-1102 1:2 VGA Distributor



Key Features

- Support 1 input to 2 outputs VGA Distribution Amplifier
- 2,4,8 and 16 output versions available
- Large Signal Bandwidth 440MHz, G=+2
- Small signal Bandwidth(-3dB) 1GHz, G=+1
- Settling Time 10 ns to 0.1%, 2 V Step, G=+2
- Low Distortion over Wide Bandwidth
- High resolution for VGA, SVGA, XGA, UXGA, WUXGA 1920x1200
- Goods Video Specifications Gain Flatness 0.1 dB to 75 Mhz
- High Output Drive 175 mA Output Load Drive
- Scan rates accepted : 50Hz or 60Hz
- Enclosure type : Support wall mountable
- Support Lower power consumed full load under 500mA

SB-1104 1:4 VGA Distributor



Key Features

- Support 1 input to 4 outputs VGA Distribution Amplifier
- 2,4, 8 and 16 output versions available
- Large Signal Bandwidth 440MHz, G=+2
- Small signal Bandwidth(-3dB) 1GHz, G=+1
- Settling Time 10 ns to 0.1%, 2 V Step, G=+2
- Low Distortion over Wide Bandwidth
- High resolution for VGA, SVGA, XGA, UXGA, WUXGA 1920x1200
- Goods Video Specifications Gain Flatness 0.1 dB to 75 Mhz
- High Output Drive 175 mA Output Load Drive
- Scan rates accepted : 50Hz or 60Hz
- Enclosure type : Support wall mountable
- Support Lower power consumed full load under 500mA

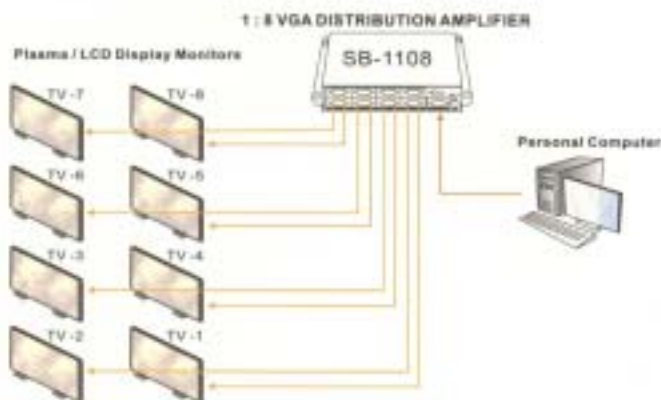
SB-1108 1:8 VGA Distributor



Key Features

- Support 1 input to 8 outputs VGA Distribution Amplifier
- 2,4, 8 and 16 output versions available
- Large Signal Bandwidth 440MHz, G=+2
- Small signal Bandwidth(-3dB) 1GHz, G=+1
- Settling Time 10 ns to 0.1%, 2 V Step, G=+2
- Low Distortion over Wide Bandwidth
- High resolution for VGA, SVGA, XGA, UXGA, WUXGA 1920x1200
- Goods Video Specifications Gain Flatness 0.1 dB to 75 Mhz
- High Output Drive 175 mA Output Load Drive
- Scan rates accepted : 50Hz or 60Hz
- Enclosure type : Support wall mountable
- Support Lower power consumed full load under 500mA

Installing



SB-1102, SB-1104 and SB-1108 provide 2,4&8 outputs respectively. For high resolution VGA(640x480), SVGA (800x600), XGA(1024x768), SXGA(1280x1024), UXGA (1920x1200), WUXGA(1920x1200). An ultrahigh speed current feedback amplifier with a phenomenal 5500V/us slew rate that results in a rise time of 545ps, making it ideal as a pulse amplifier. The high slew rate reduces the effect of slew rate limiting and results in the large signal Bandwidth 440MHz(G=+2). Small signal Bandwidth (-3dB) 1000MHz (G=+1) delivers computer resolutions up to 2048 x 2048 at distances up to 150 feet away without signal deterioration. Signal quality is main-tained over a wide bandwidth with worst-case distortion of -40dBc @ 250MHz (G=+10, 1Vp-p). Input and output connectors are HD-15 female type. Support wall mountable metal cases, 1 RU high. All units are +12VDC powered and power adaptor is included.

SB-1110 2:1:8 VGA Distributor

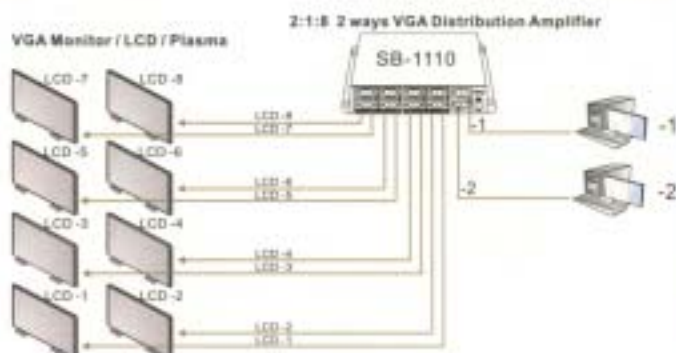


SB-1110 is a high speed Video Bandwidth 310MHz, Maximum 380MHz VGA distribution amplifier. It is one of the most innovative 8 VGA-RGBHV distributor products with switch function on the market Today. SB-1110 support 2 VGA inputs and can be switch to 8 VGA distribution outputs for high resolution VGA, SVGA, XGA, SXGA, UXGA, WUXGA. Its design wall mount type. It has 2 individual inputs and with 8 same outputs. Because it use switch function into distribution amplifier, any input can be switch to 8 same outputs. It completely eliminates the need to constantly move around VGA input and output cables. The SB-1110 is a distribution amplifier with switch function is ideally suited for High Definition LCD Television or PC Plasma display applications. Control is provided via Front pushbuttons with LED readout or IR remote controller.

Key Features

- Support 2 inputs to 8 outputs VGA Distribution Amplifier
- 2 x 8 high speed nonblocking switch arrays
- Complete solution. Buffered inputs. Eight output amplifier
- Video Bandwidth : 380MHz (-3dB), 200 mVp-p
- Excellent Video Performance
- Low power of 45mA
- Low all hostile crosstalk of -83 dB @ 5 Mhz
- Excellent ESD rating : exceeds 4000 V
- Switching RGBHV in LCD monitors and plasma VGA displays monitors
- Suitable for XGA, SXGA, UXGA, WUXGA(1920x1200) resolution displays
- Front pushbuttons with LED readout
- Infrared : IR remote control (38KHz)
- Enclosure type : Support wall mount
- Support Lower power consumed full load under 450 mA

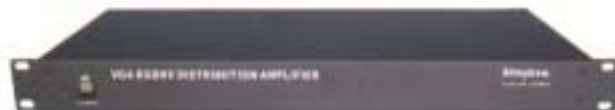
Installing



SB-1116 1:16 VGA Distributor



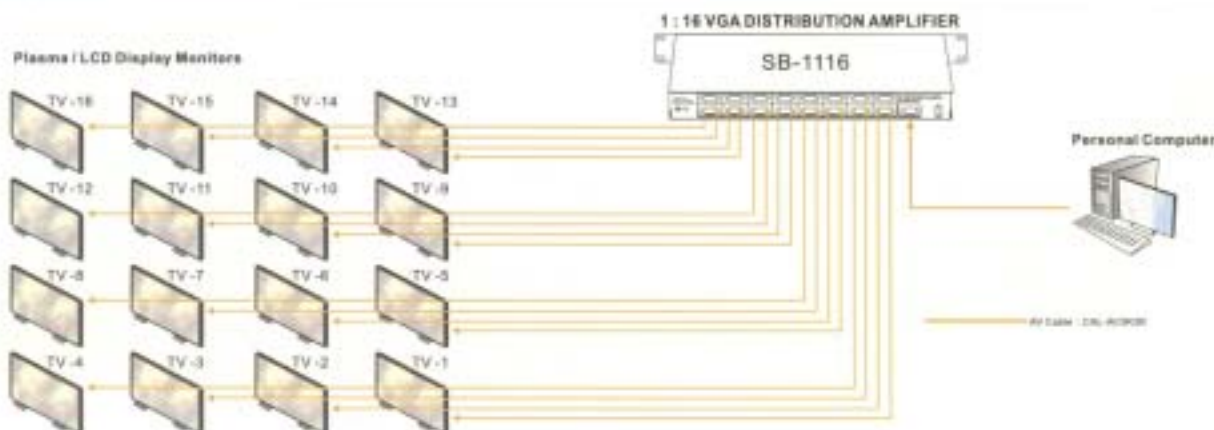
SB-1116MRM



Key Features

- Support 1 input to 16 outputs VGA Distribution Amplifier
- 2,4, and 8 output versions available
- Large Signal Bandwidth 440MHz, G=+2
- Small signal Bandwidth(-3dB) 1GHz, G=+1
- Settling Time 10 ns to 0.1%, 2 V Step, G=+2
- Low Distortion over Wide Bandwidth
- High resolution for VGA, SVGA, XGA, UXGA, WUXGA 1920x1200
- Goods Video Specifications Gain Flatness 0.1 dB to 75 Mhz
- High Output Drive 175 mA Output Load Drive
- Scan rates accepted : 50Hz or 60Hz
- Enclosure type : Support 19 inch Ear/Rack mountable
- Support Lower power consumed full load under 500mA

Installing



SB-3715 1:4 SCART Distribution Amplifier



Key Features

- Support 1 inputs to 4 outputs SCART Distribution Amplifier
- Support 4 high speed non blocking SCART switch arrays
- Video Bandwidth : 380MHz (-3dB), 200 mVp-p
- Auto Scan 4:3 and 16:9 Screen.
- Support SCART1 and SCART2 series system
- Complete solution. Buffered inputs. Four output amplifier
- Low all hostile crosstalk of -83 dB @ 5 Mhz
- Excellent ESD rating : exceeds 4000 V
- Switching RGB-S-Video-Composite Video-Audio signals
- Suitable for TV or High resolution HDTV displays
- Low power of 45mA
- Power with LED readout
- Enclosure type : Support wall mount
- Support Lower power consumed full load under 350 mA

SB-3720 1:8 SCART Distribution Amplifier



Key Features

- Support 1 inputs to 8 outputs SCART Distribution Amplifier
- Support 8 high speed non blocking SCART switch arrays
- Video Bandwidth : 380MHz (-3dB), 200 mVp-p
- Auto Scan 4:3 and 16:9 Screen.
- Support SCART1 and SCART2 series system
- Complete solution. Buffered inputs. Eight output amplifier
- Low all hostile crosstalk of -83 dB @ 5 Mhz
- Excellent ESD rating : exceeds 4000 V
- Switching RGB-S-Video-Composite Video-Audio signals
- Suitable for TV or High resolution HDTV displays
- Low power of 45mA
- Power with LED readout
- Enclosure type : Support wall mount
- Power consumed full load 800 mA

SB-3722 2:1:8 SCART DA Switcher



Key Features

- Support 2 inputs to 8 outputs SCART Distribution Amplifier
- Support 2 x 8 high speed non blocking SCART switch arrays
- Video Bandwidth : 380MHz (-3dB), 200 mVp-p
- Auto Scan 4:3 and 16:9 Screen.
- Support SCART1 and SCART2 series system
- Support Loop Output function
- Low all hostile crosstalk of -83 dB @ 5 Mhz
- Excellent ESD rating : exceeds 4000 V
- Switching RGB-S-Video-Composite Video-Audio signals
- Suitable for TV or High resolution HDTV displays
- Front pushbuttons with LED readout
- Low power of 45mA
- Enclosure type : Support wall mount
- Support Lower power consumed full load under 450 mA



□ SB-5510 4:2 SCART SWITCHER



IR Remote Controller

□ SB-5520 4:2 MATRIX SWITCHER



IR Remote Controller

□ SB-5525 6:2 MATRIX SWITCHER



IR Remote Controller

SB-5525 is a high speed 110MHz Video Bandwidth SCART Matrix routing switcher. SB-5525 is one of the most innovative SCART RGB/S-Video(Y/C)/Composite Video/Stereo Audio switching products on the market Today. The SB-5525 support 6 individual inputs with 2 individual outputs. Because it is a matrix router, any input may be routed to any output; or the same input may be routed to all outputs or any combination. It completely eliminates the need to constantly move around SCART input and output cables. The SB-5525 matrix switcher is ideally suited for High Definition Television applications. Control is provided via Front pushbuttons with LED readout or IR remote controller.

Key Features

- Support 4 inputs to 2 outputs SCART Switcher
- SCART Group input / output included
 1. RGB
 2. S-Video (Y/C)
 3. Composite Video
 4. Audio : Stereo Audio(AR, AL)
- Video Bandwidth : 110MHz , -3dB (G++2)
- Support SCART1 and SCART2 system
- Auto Scan and Adjustment Screen 16:9 or 4:3
- Scan rates accepted : 50Hz or 60Hz
- Refresh : for HDTV 408p, 576p, 720p, 1080i59, 1080i60
- Infrared : IR remote controller(38KHz)
- Front pushbuttons with LED readout
- Support Lower power consumed full load under 500mA

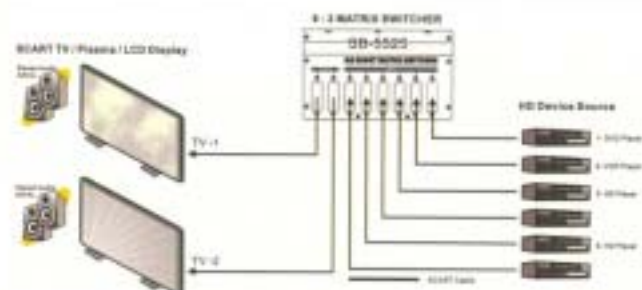
Key Features

- Support 4 inputs to 2 outputs SCART Matrix Switcher
- SCART Group input / output included
 1. RGB
 2. S-Video (Y/C)
 3. Composite Video
 4. Audio : Stereo Audio(AR, AL)
- Video Bandwidth : 110MHz , -3dB (G++2)
- Support SCART1 and SCART2 system
- Auto Scan and Adjustment Screen 16:9 or 4:3
- Scan rates accepted : 50Hz or 60Hz
- Refresh : for HDTV 408p, 576p, 720p, 1080i59, 1080i60
- Infrared : IR remote controller(38KHz)
- Front pushbuttons with LED readout
- Support Lower power consumed full load under 500mA

Key Features

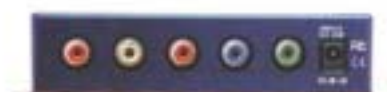
- Support 6 inputs to 2 outputs SCART Matrix Switcher
- SCART Group input / output included
 1. RGB
 2. S-Video (Y/C)
 3. Composite Video
 4. Audio : Stereo Audio(AR, AL)
- Video Bandwidth : 110MHz , -3dB (G++2)
- Double Buffered Input Logic
- High Speed and fast settling on 5 V
- Good Video Specifications
- Front pushbuttons with LED readout
- Outstanding load drive capability
- Low power of 4.4 mA / Amplifier
- Scan rates accepted : 50Hz or 60Hz
- Auto Scan 16:9 or 4:3 monitor screen
- Refresh : for HDTV 408p, 576p, 720p, 1080i59, 1080i60
- Infrared : IR remote control
- Support Lower power consumed full load under 500mA

Installing



SCART(RGB) To Component

SB-2840 SCART To Component



The SB-2840 is one of the most innovative convert by SCART (RGB/Stereo Audio) to YUV Component Video (YPbPr/YCbCr)/Stereo Audio Signals. Please be choose model SB-2839 when component use BNC connectors. This is transfer from signals SCART(RGB) signals to component video HDTV-YUV decoder. This product provide high resolution HDTV quality output. That are identical the source RGB quality signals. He is useful for distributing signals from SCART-RGB DVD or High resolution SCART-RGB Video source to HDTV displays. Perfect for Classrooms, Training, Conference Halls, Retail Outlets. Works great At high Resolutions.

Key Features

- SCART To SDTV Component Video/Audio Converter
- Support Component Y/Pb/Pr, Y/CbCr.1.00Vpp/75Ω ,Stereo Audio(AR/AL)
- Video Bandwidth : 110MHz (-3dB), 200 mVp-p
- YUV output for SDTV 480i (13.50MHz), 480P(27.00MHz)
- Gain Flatness : 0.1dB to 20 Mhz, RL=150Ω
- Differential Gain Error 0.03%, RL=150Ω
- Differential Phase Error 0.03° , RL=150Ω
- Excellent ESD rating : exceeds 4000 V
- Switching SCART in TV monitors and plasma displays
- Suitable for HDTV 480I, 480P
- Front with power LED readout
- Terminals SB-2840 use RCA connectors, SB-2839 use BNC female connectors.
- Size (L,W,H) 4.09 in x 2.83 in x 1.00 in (104mm x 72mm x 25mm)
- Net Weight (Unit only) 1.00 lbs. (0.60kg) Approx.
- Enclosure type : Support wall mountable
- Unit Approval : CE, FCC and RoHS(2002/95/EC)
- Support Lower power consumed full load under 300 mA, DC+12V

Installing:



SCART(RGB) To S-Video/Video/Audio

SCART > S-Video/Composite Video Stereo Audio converter

SB-3680



SB-3680 is one of the most innovative SCART(RGB) Decoder Unit of products. That is work for RGB signals convert to S-Video or Composite Video and Stereo Audio signals converter. Please be input RGB Video from Scart plug Device(full pin connected) and convert to S-Video & Composite Video & Stereo Audio A/V displays . (such as TV sets, Video Game Consoles, Video CDs, DVDs, Satellite Receivers, CATV Set Top Boxes, etc). The output group Video of S-Video and Composite Video will show on TV Display same time.

Key Features

- SCART To S-Video/Composite Video/Audio Converter
- Support S-Video(Y/C)1.00Vpp/75Ω ,Stereo Audio(AR/AL)
- Video Bandwidth : 80MHz (-3dB)
- Audio: Stereo Audio(AR/AL)
- Gain Flatness : 0.1dB to 20 Mhz, RL=150Ω
- Differential Gain Error 0.03%, RL=150Ω
- Differential Phase Error 0.03° , RL=150Ω
- Excellent ESD rating : exceeds 4000 V
- Switching SCART in TV monitors and plasma displays
- Suitable for SCART RGB signals
- Front with power LED readout
- Terminals: SCART plug, Mini-4din Female , RCA connectors
- Size (L,W,H) 3.88 in x 2.03 in x 1.73 in (145mm x 80mm x 44mm)
- Net Weight (Unit only) 0.85 lbs. (0.50kg) Approx.
- Unit Approval : CE, RoHS(2002/95/EC)
- Power Consumed :150mA MAXIMUM, +12VDC

INSTALLING:

RGB Player

- APPLICATION :
1. DVD (RGB)
 2. VCR (RGB)
 3. RGB Device



SB-2812

4 ways Composite Video
4x input To 4x output



SB-2811 (BNC)



0_+3db_+6db

- Support 4 To 4 Composite Video Booster
- Support Audio - Video Signals
- 1- Video : S-Video(Y/C) and Composite Video
- 2- Stereo Audio (AR/AL)
- High resolution Support HDTV 480p, 720p, 1080i60, 1080P
- Drive HDTV Signal up to 300~1000 feet away
- Settling Time 10 ns to 0.1%, 2 V Step, G=+2
- Goods Video Specifications Gain Flatness 0.1 dB to 75 Mhz
- High Output Drive 175 mA Output Load Drive
- Scan rates accepted : 50Hz or 60Hz
- Limited warranty : 2 years parts and Labor
- Regulatory Approvals CE, FCC, RoHS(2002/95/EC)
- Enclosure type : Support Wall mountable
- Support Lower power consumed full load under 300mA

S-Video+Composite Video+Stereo Audio

SB-2810

1x input To 1x output



SB-2809 (BNC)



0_+3db_+6db

Key Features

- Support 1 To 1 S-Video-Composite Video-Stereo Audio Booster
- Support Audio - Video Signals
- 1- Video : S-Video(Y/C), Composite Video
- 2- Stereo Audio (AR/AL)
- High resolution Support HDTV 480p, 720p, 1080i60, 1080P
- Drive HDTV Signal up to 300~1000 feet away
- Settling Time 10 ns to 0.1%, 2 V Step, G=+2
- Goods Video Specifications Gain Flatness 0.1 dB to 75 Mhz
- High Output Drive 175 mA Output Load Drive
- Scan rates accepted : 50Hz or 60Hz
- Limited warranty : 2 years parts and Labor
- Regulatory Approvals CE, FCC, RoHS(2002/95/EC)
- Enclosure type : Support Wall mountable
- Support Lower power consumed full load under 300mA

HDTV Component Video + Stereo Audio

SB-2820

1x input To 1x output



SB-2819 (BNC)



0_+3db_+6db

Key Features

- Support 1 To 1 HDTV Component / Audio Booster
- Support HDTV Signals
- 1- Component Video (YPbPr, YCaCb)
- 2- Stereo Audio (AR/AL)
- High resolution Support HDTV 480p, 720p, 1080i60, 1080P
- Drive HDTV Signal up to 300~1000 feet away
- Settling Time 10 ns to 0.1%, 2 V Step, G=+2
- Goods Video Specifications Gain Flatness 0.1 dB to 75 Mhz
- High Output Drive 175 mA Output Load Drive
- Scan rates accepted : 50Hz or 60Hz
- Limited warranty : 2 years parts and Labor
- Regulatory Approvals CE, FCC, RoHS(2002/95/EC)
- Enclosure type : Support Wall mountable
- Support Lower power consumed full load under 300mA

Installing:



SB-3776

1x2 Component Video (YPbPr/YCbCr/RGB)



BNC connector
RCA connector

Key Features

- Support 1 input to 2 outputs HDTV Component Distribution Amplifier
- Support HDTV Signals Component Video (YPbPr, YCbCr)
- Video Bandwidth : 300MHz, G=+1
- High resolution Support HDTV 480p, 720p, 1080i60, 1080P
- Drive HDTV displays up to 150 feet away
- Settling Time 10 ns to 0.1%, 2 V Step, G=+2
- Goods Video Specifications Gain Flatness 0.1 dB to 75 Mhz
- High Output Drive 175 mA Output Load Drive
- Scan rates accepted : 50Hz or 60Hz
- Limited warranty : 2 years parts and Labor
- Regulatory Approvals CE, FCC, RoHS(2002/95/EC)
- Enclosure type : Wall mountable
- Support Lower power consumed full load under 300mA

SB-3730-300 Video Bandwidth (300Mhz)

1x4 Component Video/Stereo Audio



Ear Mountable



SB-3730MRM Rack Mountable

Key Features

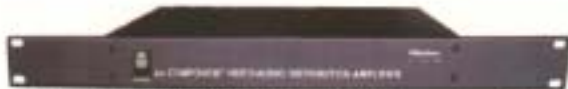
- Support 1 input to 4 outputs HDTV Component Distribution Amplifier
- Support HDTV Signals
 - 1- Component Video (YPbPr, YCbCr)
 - 2- Stereo Audio (AR/AL)
- Video Bandwidth : 300MHz, G=+1
- High resolution Support HDTV 480p, 720p, 1080i60, 1080P
- Drive HDTV displays up to 150 feet away
- Settling Time 10 ns to 0.1%, 2 V Step, G=+2
- High Output Drive 175 mA Output Load Drive
- Scan rates accepted : 50Hz or 60Hz
- Limited warranty : 2 years parts and Labor
- Regulatory Approvals CE, FCC, RoHS(2002/95/EC)
- Enclosure type : Support 19 inch Ear/Rack mountable
- Support Lower power consumed full load under 500mA

SB-3730-700 Video Bandwidth (700Mhz)

1x4 Component Video/Stereo Audio



Ear Mountable

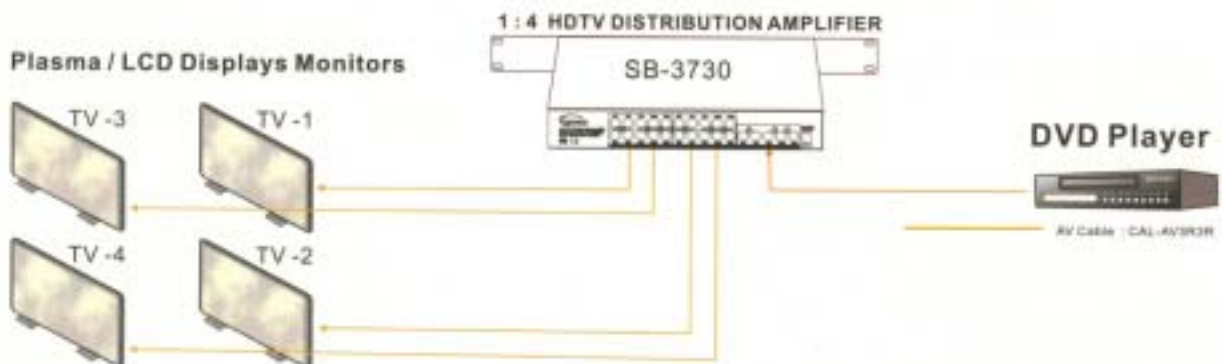


SB-3730MRM Rack Mountable

Key Features

- Support 1 input to 4 outputs HDTV Component Distribution Amplifier
- Support HDTV Signals
 - 1- Component Video (YPbPr, YCbCr)
 - 2- Stereo Audio (AR/AL)
- Video Bandwidth : 700MHz, G=+1
- High resolution Support HDTV 480p, 720p, 1080i60, 1080P
- Drive HDTV displays up to 150 feet away
- Goods Video Specifications Gain Flatness 0.1 dB to 75 Mhz
- High Output Drive 175 mA Output Load Drive
- Scan rates accepted : 50Hz or 60Hz
- Limited warranty : 2 years parts and Labor
- Regulatory Approvals CE, FCC, RoHS(2002/95/EC)
- Enclosure type : Support 19 inch Ear/Rack mountable
- Support Lower power consumed full load under 500mA

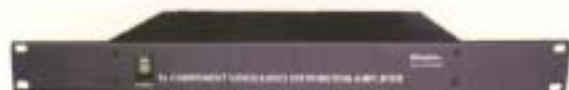
Installing:



- SB-3730-1000** Video Bandwidth (1000Mhz)
1x5 Component Video/Digital/Audio



Ear Mountable



SB-3730-1000MRM Rack Mountable

- SB-3737** Video Bandwidth (700Mhz)
1x8 Component Video/Audio



SB-3737MRM Rack Mountable

- SB-3733** Video Bandwidth (1000Mhz)
1x8 Component Video/Digital/Audio



SB-3733MRM Rack Mountable

Key Features

- Support 1 input to 5 outputs HDTV Component Distribution Amplifier
- Support Signals : 1- Component Video (YPbPr, YCbCr)
- 2- Digital Audio (PCM) - Support Composite Video
- 3- Stereo Audio (AR/AL)
- Small signal Bandwidth(-3dB) 1GHz, G=+1
- Large Signal Bandwidth 440MHz, G=+2
- Digital Audio Signals Bandwidth : 110MHz (Support Composite Video)
- High resolution Support HDTV 480p, 720p, 1080i60, 1080P
- Scan rates accepted : 50Hz or 60Hz
- Drive HDTV displays up to 150 feet away
- Regulatory Approvals CE, FCC, RoHS(2002/95/EC)
- Enclosure type : Support 19 inch Ear/Rack mountable
- Support Lower power consumed full load under 500mA

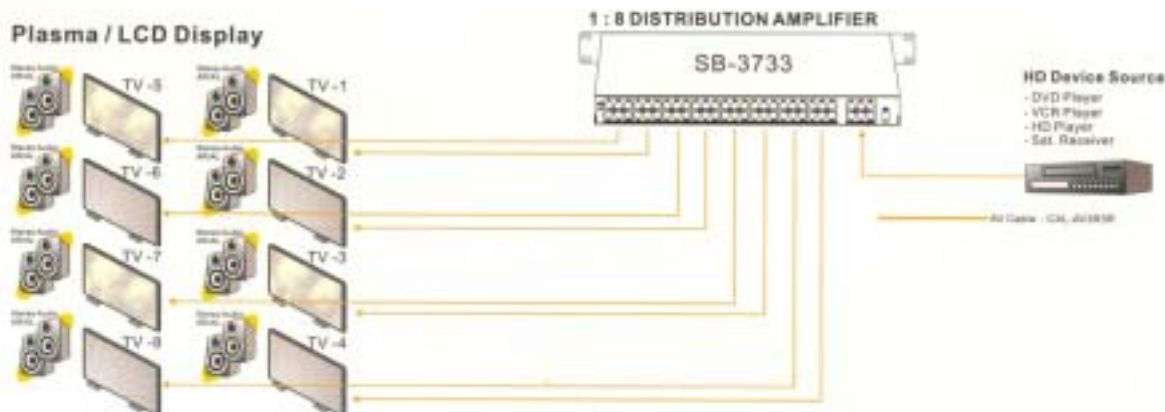
Key Features

- Support 1 input to 8 outputs HDTV Component Distribution Amplifier
- Support HDTV Signals
- 1- Component Video (YPbPr, YCbCr)
- 2- Stereo Audio (AR/AL)
- Video Bandwidth : 700MHz, G=+1
- High resolution Support HDTV 480p, 720p, 1080i60, 1080P
- Drive HDTV displays up to 150 feet away
- High Output Drive 175 mA Output Load Drive
- Scan rates accepted : 50Hz or 60Hz
- Limited warranty : 2 years parts and Labor
- Regulatory Approvals CE, FCC, RoHS(2002/95/EC)
- Enclosure type : Support 19 inch Ear/Rack mountable
- Support Lower power consumed full load under 500mA

Key Features

- Support 1 input to 8 outputs HDTV Component Distribution Amplifier
- Support Signals: 1- Component Video (YPbPr, YCbCr)
- 2- Digital Audio (PCM) - Support Composite Video
- 3- Stereo Audio (AR/AL)
- Small signal Bandwidth(-3dB) 1GHz, G=+1
- Large Signal Bandwidth 440MHz, G=+2
- Digital Audio Signals Bandwidth : 110MHz (Support Composite Video)
- High resolution Support HDTV 480p, 720p, 1080i60, 1080P
- Scan rates accepted : 50Hz or 60Hz
- Drive HDTV displays up to 150 feet away
- Limited warranty : 2 years parts and Labor
- Regulatory Approvals CE, FCC, RoHS(2002/95/EC)
- Enclosure type : Support 19 inch Ear/Rack mountable
- Support Lower power consumed full load under 500mA

Installing:



- SB-3750**
1x5 Universal+LoopOut function
Component/SV/CV/Digital/Audio



- SB-3790**
1x9 Component/Digital/Audio
With Loopout function



- SB-3770**
1x8 Component/Digital/Audio
With Booster + Loop output



- SB-3780**
1x9 Component Video (YPbPr/YCbCr/RGB)
With Loop output



SB-3750, SB-3790, SB-3780 and SB-3770 are the most innovative HDTV distribution Amplifier. The amplifier distribution signals

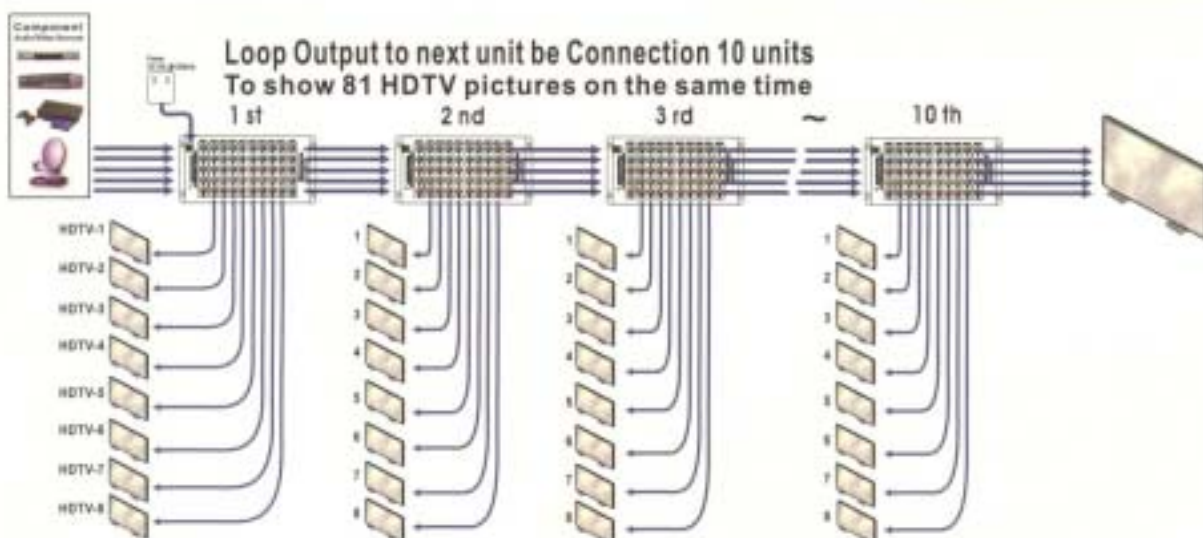
1. Component Video YPbPr-YCbCr
2. Digital Audio(PCM)SPDIF
3. Stereo Audio (AR/AL).

Support one input and nine outputs and with one Loop output. Being connection 10 units of amplifiers and show 81 HDTV displays. These amplifiers provide multiple Component Video/ Digital Audio/ Stereo Audio outputs. that are identical to the source signal at distance 150 feet away without signal deterioration.

Key Features

- Support 1 input to 8 outputs HDTV Component Distribution Amplifier
- Support HDTV Signals
 - 1- Component Video (YPbPr, YCbCr)
 - 2- Digital Audio (PCM) - Support Composite Video
 - 3- Stereo Audio (AR/AL)
- Video bandwidth : 700MHz, G=+1
- Digital Audio Signals Bandwidth : 110MHz (Support Composite Video)
- High resolution Support HDTV 480p, 720p, 1080i60, 1080P
- Goods Video Specifications Gain Flatness 0.1 dB to 75 Mhz
- Scan rates accepted : 50Hz or 60Hz
- Drive HDTV displays up to 150 feet away
- Limited warranty : 2 years parts and Labor
- Regulatory Approvals CE, FCC, RoHS(2002/95/EC)
- Enclosure type : Support Wall Mountable
- Support Lower power consumed full load under 500mA

Installing



4:2 Component + Digital + Stereo Audio Matrix Switcher + IR Remote Controller

- SB-5460**
4 : 2 switcher
With IR Controller



- SB-5460M**
Metal Case
Ear mount :
#1U-300L



- SB-5460MRM**
Metal case
19 inch rack mount



- SB-5470**
4 : 2 Matrix switcher
With IR Controller



- SB-5470M**
Metal Case
Ear mount :
#1U-300L



- SB-5470MRM**
Metal case
19 inch rack mount



4:2 Component Video / Digital / Stereo Audio Matrix Switcher (700MHz)

- SB-5466** 4 : 2 Switcher



With IR controller
Ear mount #1U-300L

- SB-5466MRM**



Metal case
19 inch rack mount

Matrix Series

4:2 Component Video / Digital / Stereo Audio Matrix Switcher (700MHz)

- SB-5477** 4 : 2 Matrix SW



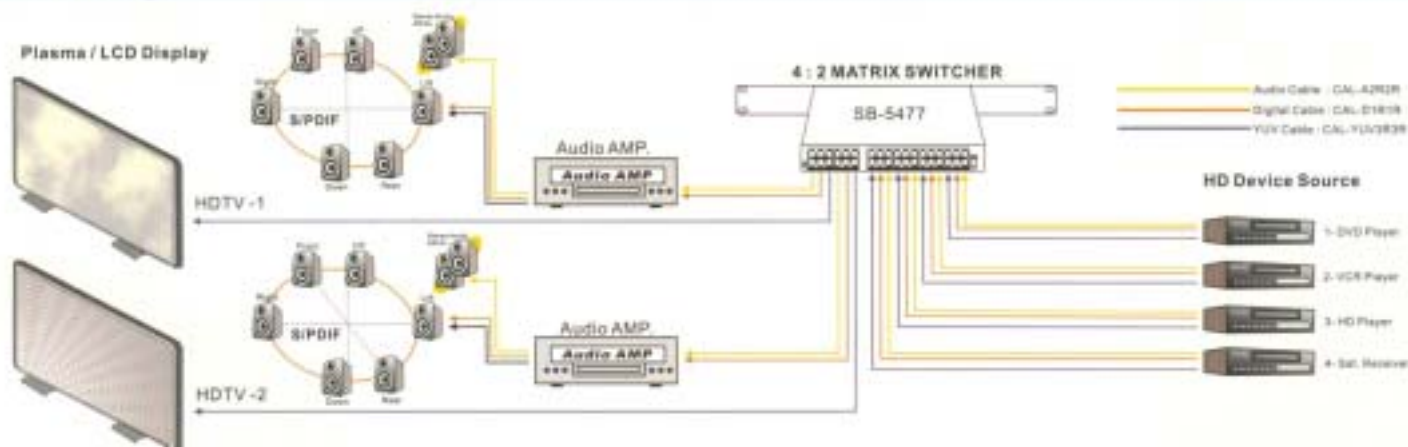
With IR controller
Ear mount #1U-300L

- SB-5477MRM**



Metal case
19 inch rack mount

Installing:



SB-5542 4 : 2 Matrix switcher



SB-5542MRM 19 inch Rack Mount



SB-5564 6 : 4 Matrix switcher



SB-5564MRM 19 inch Rack Mount



SB-5582 8 : 2 Matrix switcher



SB-5582MRM 19 inch Rack Mount



Key Features

- Support 4 inputs To 2 Outputs Component-Digital-Optical Matrix Switcher
- Support - 1. Component Video(YPaPr, YCaCr)
- 2. Digital Audio (PCM)
- 3. Optical - Toslink (S/PDIF)
- 4. Stereo Audio (AR/AL)
- Video Bandwidth : 250MHz, Maximum upto 325MHz, (G=+1)
- Digital Audio Bandwidth : 110MHz, Support Composite Video
- High resolution Support HDTV 480p, 720p, 1080i60, 1080P
- Drive HDTV Signal up to 300~1000 feet away
- Scan rates accepted : 50Hz or 60Hz
- Control by Front or Remote Panels and RS-232
- Regulatory Approvals CE, FCC, RoHS(2002/95/EC)
- Enclosure type : Support 19 inch EAR and Rack mountable
- Support Lower power consumed full load under 500mA

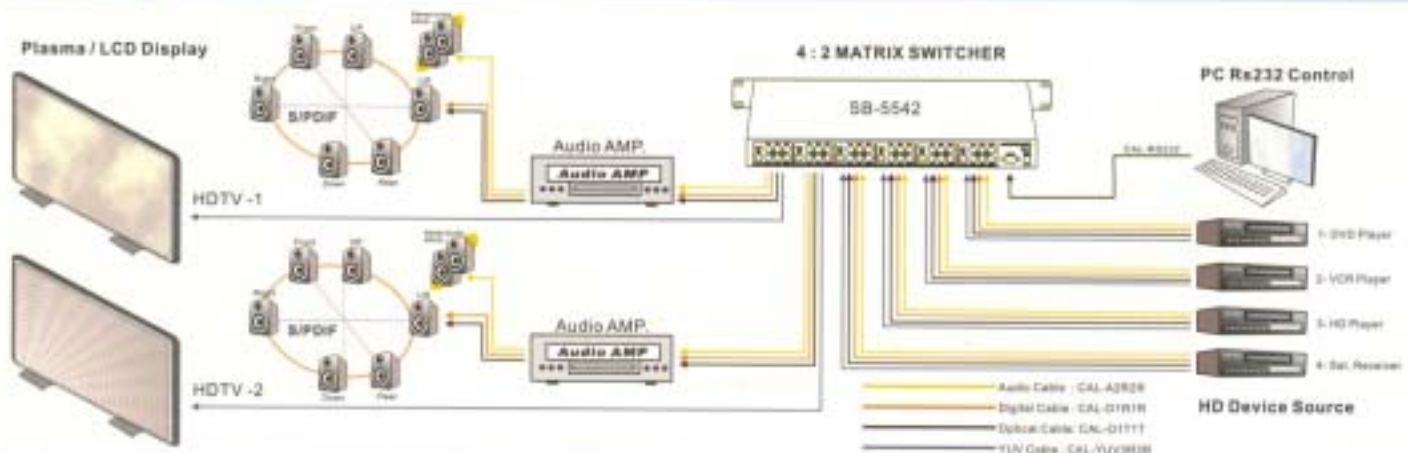
Key Features

- Support 6 inputs To 4 Outputs Component-Audio Matrix Switcher
- Support - 1. Component Video(YPaPr, YCaCr)
- 2. Stereo Audio (AR/AL)
- Video Bandwidth : 250MHz, Maximum upto 325MHz, (G=+1)
- High resolution Support HDTV 480p, 720p, 1080i60, 1080P
- Settling Time 10 ns to 0.1%, 2 V Step, G=+2
- Goods Video Specifications Gain Flatness 0.1 dB to 75 Mhz
- High Output Drive 175 mA Output Load Drive
- Drive HDTV Signal up to 300~1000 feet away
- Scan rates accepted : 50Hz or 60Hz
- Control by Front or Remote Panels and RS-232
- Regulatory Approvals CE, FCC, RoHS(2002/95/EC)
- Enclosure type : Support 19 inch EAR and Rack mountable
- Support Lower power consumed full load under 500mA

Key Features

- Support 8 inputs To 2 Outputs Component-Audio Matrix Switcher
- Support - 1. Component Video(YPaPr, YCaCr)
- 2. Stereo Audio (AR/AL)
- Video Bandwidth : 250MHz, Maximum upto 325MHz, (G=+1)
- High resolution Support HDTV 480p, 720p, 1080i60, 1080P
- Settling Time 10 ns to 0.1%, 2 V Step, G=+2
- Goods Video Specifications Gain Flatness 0.1 dB to 75 Mhz
- High Output Drive 175 mA Output Load Drive
- Drive HDTV Signal up to 300~1000 feet away
- Scan rates accepted : 50Hz or 60Hz
- Control by Front or Remote Panels and RS-232
- Regulatory Approvals CE, FCC, RoHS(2002/95/EC)
- Enclosure type : Support 19 inch EAR and Rack mountable
- Support Lower power consumed full load under 500mA

Installing:



SB-5644 4:4 MATRIX SWITCHER
Ear mountable



SB-5644MRM Enclosure Type : Metal
19inch Rack mount



SB-5588 8:8 MATRIX SWITCHER
Ear mountable



SB-5588MRM Enclosure Type : Metal
19inch Rack mount



Key Features

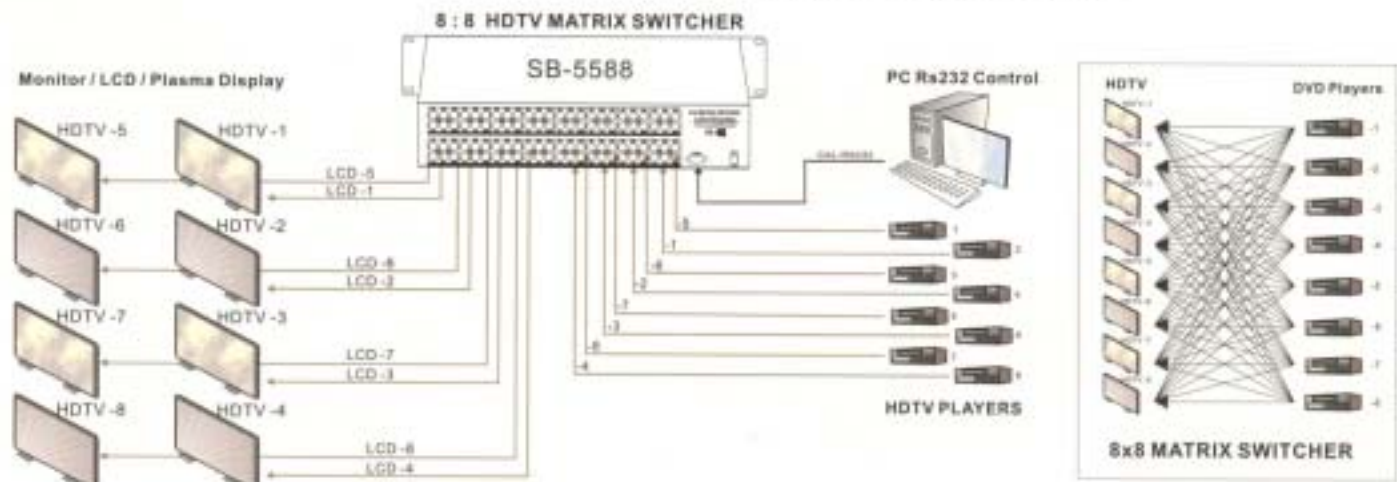
- Support 4 inputs to 4 outputs Component-Digital-Audio Matrix Switcher
- Video Bandwidth : 325MHz (-3dB), 200 mVp-p
- Complete solution. Buffered inputs. Four outputs amplifier
- Excellent Video Performance
- Low power of 45mA
- Low all hostile crosstalk of -83 dB @ 5 Mhz
- Excellent ESD rating : exceeds 4000 V
- Switching Component in LCD monitors and plasma displays
- Suitable for High Resolution HDTV 480p, 720p, 1080i, 1080p
- Front pushbuttons with LED readout
- Infrared : IR remote control (38KHz)
- Support RS 232 interface control driver for 95/98/2000/XP
- A Windows-based control software Driver packaged
- RS 232 protocol list with manual attached
- Regulatory Approvals CE, FCC, RoHS(2002/95/EC)
- Enclosure type : Support Ear / Rack mountable
- Support Lower power consumed full load under 500 mA

Key Features

- Support 8 inputs to 8 outputs Component-Digital-Audio Matrix Switcher
- Video Bandwidth : 325MHz (-3dB), 200 mVp-p
- Complete solution. Buffered inputs. Eight outputs amplifier
- Excellent Video Performance
- Low power of 45mA
- Low all hostile crosstalk of -83 dB @ 5 Mhz
- Excellent ESD rating : exceeds 4000 V
- Switching Component in LCD monitors and plasma displays
- Suitable for High Resolution HDTV 480p, 720p, 1080i, 1080p
- Front pushbuttons with LED readout
- Infrared : IR remote control (38KHz)
- Support RS 232 interface control driver for 95/98/2000/XP
- A Windows-based control software Driver packaged
- RS 232 protocol list with manual attached
- Regulatory Approvals CE, FCC, RoHS(2002/95/EC)
- Enclosure type : Support Ear / Rack mountable
- Support Lower power consumed full load under 600 mA

SB-5644 and SB-5588 is a high speed Video Bandwidth 325MHz, Maximum 380MHz Matrix routing switcher. They are the most innovative Component switching products on the market Today. Support Ear mountable. They have 4 and 8 individual inputs with 4 and 8 individual outputs. Because it is a matrix router, any input may be routed to any output; or the same input may be routed to all outputs or any combination. They completely eliminates the need to constantly move around YUV input and output cables. The matrix switchers are ideally suited for High Definition LCD Television or Plasma display applications. Control is provided via Front pushbuttons with LED readout or IR remote controller. A RS 232 interface is provided for interfacing with third party control. A Windows-based control software package is included to provide complete control of the Switchers from a PC.

Installing



4:2 S-Video Auto Switcher

- SB-5425** 4 : 2 Auto S-Video switcher With Auto function



Key Features

- Support 4 inputs To 2 Outputs S-Video - Audio Auto Switcher
- Support - 1. S-Video (Y/C)
 2. Stereo Audio (AR/AL)
- Video Bandwidth : 80MHz
- Drive TV Signal up to 300~1000 feet away
- Scan rates accepted : 50Hz or 60Hz
- Control by Front Manu or Auto select switch
- Regulatory Approvals CE, FCC, RoHS(2002/95/EC)
- Support Lower power consumed full load under 300mA

4:2 S-Video +Video +Audio Switcher +IR

- SB-5430**
4 : 2 switcher With IR controller



- SB-5430M**
Metal case Ear mount #1U-300L



- SB-5430MRM**

Metal case 19 inch rack mount



Key Features

- Support 4 inputs To 2 Outputs S-Video / Video / Audio Switcher
- Support - 1. S-Video (Y/C)
 2. Composite Video
 3. Stereo Audio (AR/AL)
- Video Bandwidth : 80MHz
- High resolution Support HDTV 480p, 720p, 1080i60, 1080P
- Settling Time 10 ns to 0.1%, 2 V Step, G=+2
- Goods Video Specifications Gain Flatness 0,1 dB to 75 Mhz
- High Output Drive 175 mA Output Load Drive
- Drive HDTV Signal up to 300~1000 feet away
- Scan rates accepted : 50Hz or 60Hz
- Control by Front or IR Remote Panels
- Regulatory Approvals CE, FCC, RoHS(2002/95/EC)
- Enclosure type : Support 19 inch EAR and Rack mountable
- Support Lower power consumed full load under 500mA

Matrix Series

4:2 S-Video+Video+Audio Matrix Switcher+IR

- SB-5450**
4 : 2 Matrix sw With IR controller



- SB-5450M**
Metal case Ear mount #1U-300L



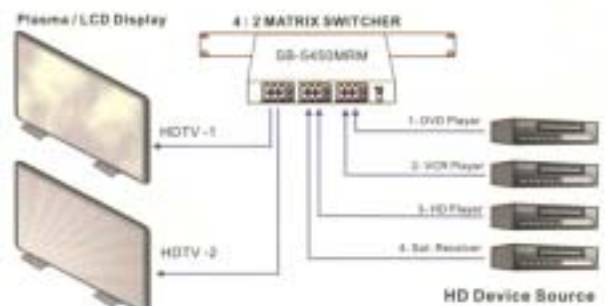
- SB-5450MRM**

Metal case 19 inch rack mount



Key Features

- Support 4 inputs To 2 Outputs S-Video / Video / Audio Matrix Switcher
- Support - 1. S-Video (Y/C)
 2. Composite Video
 3. Stereo Audio (AR/AL)
- Video Bandwidth : 80MHz
- High resolution Support HDTV 480p, 720p, 1080i60, 1080P
- Settling Time 10 ns to 0.1%, 2 V Step, G=+2
- Goods Video Specifications Gain Flatness 0.1 dB to 75 Mhz
- High Output Drive 175 mA Output Load Drive
- Drive HDTV Signal up to 300~1000 feet away
- Scan rates accepted : 50Hz or 60Hz
- Control by Front or IR Remote Panels
- Regulatory Approvals CE, FCC, RoHS(2002/95/EC)
- Enclosure type : Support 19 inch EAR and Rack mountable
- Support Lower power consumed full load under 500mA



SB-5580 8:2 MATRIX SWITCHER
Ear mountable



SB-5580MRM Enclosure Type : Metal
19inch Rack mount



SB-5560 8:4 MATRIX SWITCHER
Ear mountable



SB-5560MRM Enclosure Type : Metal
19inch Rack mount



Key Features

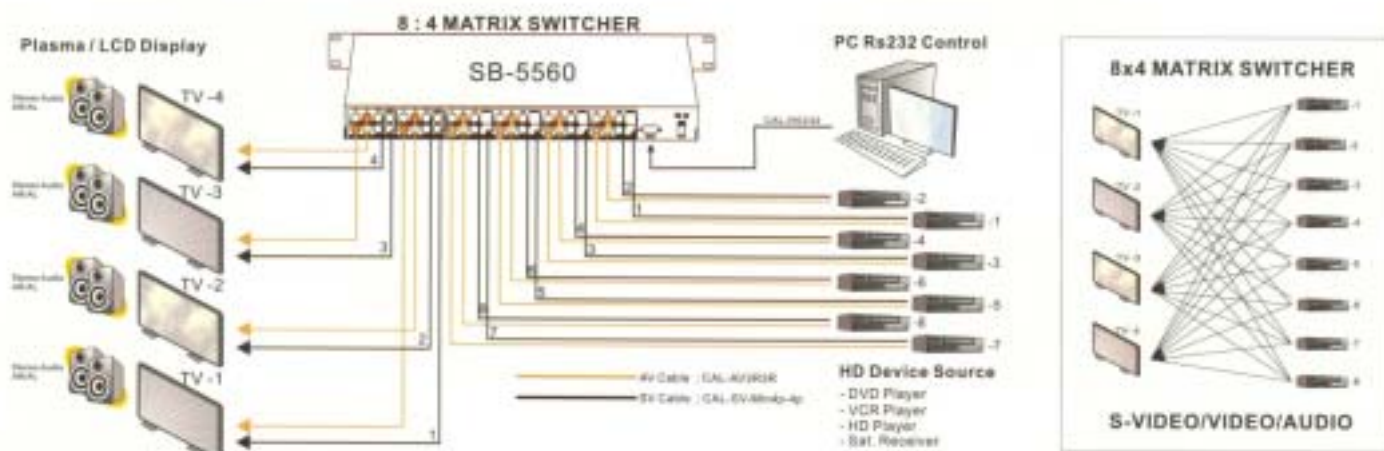
- Support 8 inputs to 2 outputs Component-Audio Matrix Switcher
- Video Bandwidth : 250MHz (-3dB), 200 mVp-p
- Signals Support : 1. Composite Video(BNC connectors)
2. S-Video (Y/C), Composite(BNC connectors)
3. Stereo Audio : (AR/AL)
- Low all hostile crosstalk of -83 dB @ 5 Mhz
- Excellent ESD rating : exceeds 4000 V
- Switching Component in LCD monitors and plasma displays
- Suitable for High Resolution HDTV 480p, 720p, 1080i, 1080p
- Front pushbuttons with LED readout
- Infrared : IR remote control (38KHz)
- Support RS 232 interface control driver for 95/98/2000/xp
- A Windows-based control software Driver packaged
- RS 232 protocol list with manual attached
- Regulatory Approvals CE, FCC, RoHS(2002/95/EC)
- Enclosure type : Support Ear / Rack mountable
- Support Lower power consumed full load under 500 mA

Key Features

- Support 8 inputs to 4 outputs Component-Audio Matrix Switcher
- Video Bandwidth : 250MHz (-3dB), 200 mVp-p
- Signals Support : 1. Composite Video (RCA connectors)
2. S-Video (Y/C)
3. Stereo Audio : (AR/AL)
- Low all hostile crosstalk of -83 dB @ 5 Mhz
- Excellent ESD rating : exceeds 4000 V
- Switching Component in LCD monitors and plasma displays
- Suitable for High Resolution HDTV 480p, 720p, 1080i, 1080p
- Front pushbuttons with LED readout
- Infrared : IR remote control (38KHz)
- Support RS 232 interface control driver for 95/98/2000/xp
- A Windows-based control software Driver packaged
- RS 232 protocol list with manual attached
- Regulatory Approvals CE, FCC, RoHS(2002/95/EC)
- Enclosure type : Support Ear / Rack mountable
- Support Lower power consumed full load under 500 mA

SB-5560 is a high speed 250MHz Video Bandwidth Matrix routing switcher. SB-5560 is one of the most innovative S-Video(Y/C) /Composite Video/Stereo Audio switching products on the market Today. The SB-5560 support the Ear mount and SB-5560MRM for Rack mount type. It has 8 individual inputs with 4 individual outputs. Because it is a matrix router, any input may be routed to any output; or the same input may be routed to all outputs or any combination. It completely eliminates the need to constantly move around audio and video input and output cables. The SB-5560 matrix switcher is ideally suited for High Definition Television applications. Control is provided via Front pushbuttons with LED readout or IR remote controller. A RS 232 interface is provided for interfacing with third party control. A Windows-based control software package is included to provide complete control of the SB-5560 from a PC.

Installing



4:2 Auto AV Switcher

SB-5420 4 : 2 Auto AV Switcher



Key Features

- Support 4 inputs To 2 Outputs AV Auto Switcher
- Support - 1. Composite Video
 2. Stereo Audio (AR/AL)
- Video Bandwidth : 80MHz
- Drive TV Signal up to 300~1000 feets away
- Scan rates accepted : 50Hz or 60Hz
- Control by Front Menu or Auto select switch
- Regulatory Approvals CE, FCC, RoHS(2002/95/EC)
- Support Lower power consumed full load under 300mA

4:4 Video +Audio Matrix Switcher +IR

SB-5544 4 : 4 AV Matrix switcher



SB-5544MRM 19 inch Rack Mount



Key Features

- Support 4 inputs To 4 Outputs AV Matrix Switcher
- Support - 1. Composite Video
 2. Stereo Audio (AR/AL)
- Video Bandwidth : 200MHz
- High resolution Support HDTV 480p, 720p, 1080i60, 1080P
- Settling Time 10 ns to 0.1%, 2 V Step, G=+2
- Goods Video Specifications Gain Flatness 0.1 dB to 75 Mhz
- High Output Drive 175 mA Output Load Drive
- Drive HDTV Signal up to 300~1000 feets away
- Scan rates accepted : 50Hz or 60Hz
- Control by Front or IR Remote Panels
- Regulatory Approvals CE, FCC, RoHS(2002/95/EC)
- Enclosure type : Support 19 inch EAR and Rack mountable
- Support Lower power consumed full load under 500mA

8:8 Video+Audio Matrix Switcher + IR + RS232

SB-5548 8 : 8 AV Matrix switcher



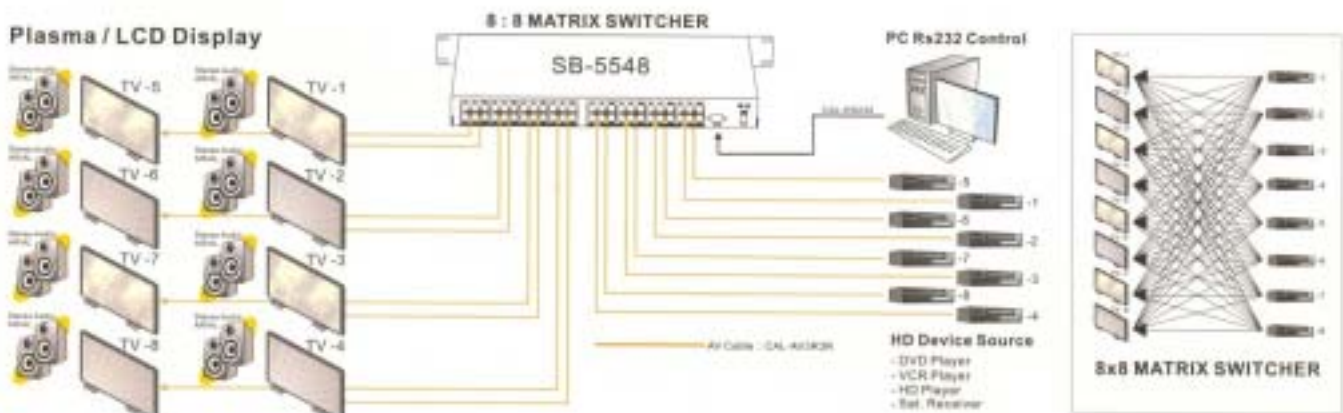
SB-5548MRM 19 inch Rack Mount



Key Features

- Support 8 inputs To 8 Outputs AV Matrix Switcher
- Support - 1. Composite Video
 2. Stereo Audio (AR/AL)
- Video Bandwidth : 250MHz, Maximum upto 325MHz, (G=+1)
- High resolution Support HDTV 480p, 720p, 1080i60, 1080P
- Settling Time 10 ns to 0.1%, 2 V Step, G=+2
- Goods Video Specifications Gain Flatness 0.1 dB to 75 Mhz
- High Output Drive 175 mA Output Load Drive
- Drive HDTV Signal up to 300~1000 feets away
- Scan rates accepted : 50Hz or 60Hz
- Control by Front or IR Remote Panels and RS-232
- RS 232 protocol list with manual attached
- Regulatory Approvals CE, FCC, RoHS(2002/95/EC)
- Enclosure type : Support 19 inch EAR and Rack mountable
- Support Lower power consumed full load under 500mA

Installing:



S-Video - Composite Video Routing Switcher+IR

8:1 Composite Switcher + IR

SB-5440 8 : 1 Video Switcher With IR Controller



Key Features

- Support 8 inputs To 1 Output Composite Video Switcher
- Video Signal : Composite Video (RCA connectors)
- Video Bandwidth : 80MHz
- Support TV Signal up to 300~1000 feet away
- Scan rates accepted : 50Hz or 60Hz
- Control by Front pushbuttons with LCD readout
- Infrared : IR Remote Controller (38KHz)
- Enclosure type : Wall Mountable Ear panels attached.
- Regulatory Approvals CE, FCC, RoHS(2002/95/EC)
- Support Lower power consumed full load under 500mA

8:1 Composite Video(BNC) Switcher +IR

SB-5440BNC 8 : 1 Video (BNC) Switcher With IR Controller



BNC connectors

Key Features

- Support 8 inputs To 1 Output Composite Video Switcher
- Video Signal : Composite Video (BNC connectors)
- Video Bandwidth : 80MHz
- Support TV Signal up to 300~1000 feet away
- Drive TV Signal up to 300~1000 feet away
- Scan rates accepted : 50Hz or 60Hz
- Control by Front pushbuttons with LCD readout
- Infrared : IR Remote Controller (38KHz)
- Enclosure type : Wall Mountable Ear panels attached.
- Regulatory Approvals CE, FCC, RoHS(2002/95/EC)
- Support Lower power consumed full load under 500mA

8:1 S-Video Switcher + IR

SB-5440SV 8 : 1 S-Video switcher With IR Controller



Key Features

- Support 8 inputs To 1 Output S-Video Switcher
- Video Signal : S-Video (Y/C) , Mini Din-4p Female socket.
- Video Bandwidth : 80MHz
- Support TV Signal up to 300~1000 feet away
- Drive TV Signal up to 300~1000 feet away
- Scan rates accepted : 50Hz or 60Hz
- Control by Front pushbuttons with LCD readout
- Infrared : IR Remote Controller (38KHz)
- Enclosure type : Wall Mountable Ear panels attached.
- Regulatory Approvals CE, FCC, RoHS(2002/95/EC)
- Support Lower power consumed full load under 500mA

4:1 Stereo Audio Switcher + IR

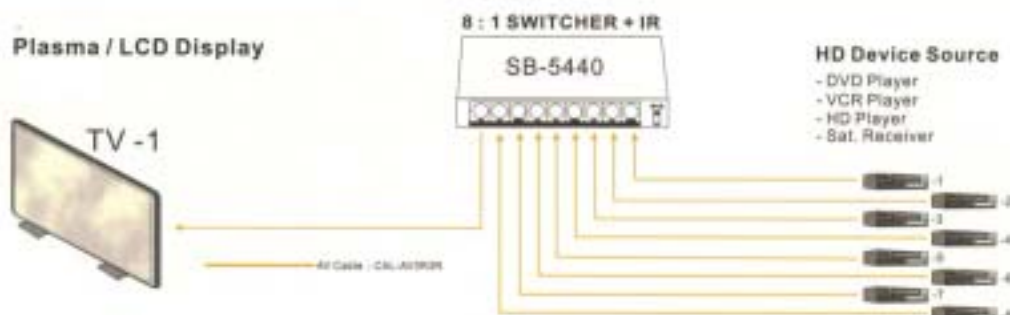
SB-5440RL 4 : 1 Audio Switcher With IR Controller



Key Features

- Support 4 inputs To 1 Output S-Video Switcher
- Audio Signal : Stereo Audio , RCA Connectors
- Audio Frequency Respond : 20Hz ~20KHz, +0.05db
- Drive TV Signal up to 500~1000 feet away
- Scan rates accepted : 50Hz or 60Hz
- Control by Front pushbuttons with LCD readout
- Infrared : IR Remote Controller (38KHz)
- Enclosure type : Wall Mountable Ear panels attached.
- Regulatory Approvals CE, FCC, RoHS(2002/95/EC)
- Support Lower power consumed full load under 500mA

Installing:



1x4 Composite Video Amplifier

SB-3701



1 x 4 Video(RCA)

SB-3701BNC



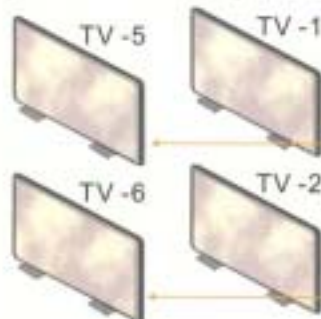
1 x 4 Video(BNC)

Key Features

- Support 1 Input To 4 Outputs Composite Video Amplifier
- Support Video - Composite Video Signals
- Slew Rate : 1000V/us, Fixed internal gain of 2.
- Low power of 45mA
- Low all hostile crosstalk of -83db@ 5MHz
- Drive HDTV Signal up to 300~1000 feet away
- Settling Time 10 ns to 0.1%, 2 V Step, G=+2
- Goods Video Specifications Gain Flatness 0.1 dB to 75 Mhz
- High Output Drive 175 mA Output Load Drive
- Scan rates accepted : 50Hz or 60Hz
- Limited warranty : 2 years parts and Labor
- Regulatory Approvals CE, FCC, RoHS(2002/95/EC)
- Enclosure type : Support Wall mountable
- Support Lower power consumed full load under 300mA

Installing:

Plasma / LCD Display Monitors



1 x 4 Video(BNC)

DVD Player



AV Cable : CAL-AV3R3R

1x9 Composite Video Amplifier

SB-3702



1 x 9 Video(RCA)

SB-3702BNC



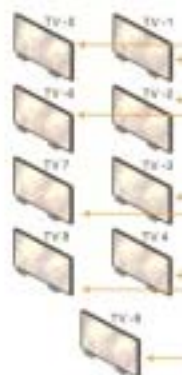
1 x 9 Video(BNC)

Key Features

- Support 1 Input To 9 Outputs Composite Video Amplifier
- Support Video - Composite Video Signals
- Slew Rate : 1000V/us, Fixed internal gain of 2.
- Low power of 45mA
- Low all hostile crosstalk of -83db@ 5MHz
- Drive HDTV Signal up to 300~1000 feet away
- Settling Time 10 ns to 0.1%, 2 V Step, G=+2
- Goods Video Specifications Gain Flatness 0.1 dB to 75 Mhz
- High Output Drive 175 mA Output Load Drive
- Scan rates accepted : 50Hz or 60Hz
- Limited warranty : 2 years parts and Labor
- Regulatory Approvals CE, FCC, RoHS(2002/95/EC)
- Enclosure type : Support Wall mountable
- Support Lower power consumed full load under 300mA

Installing:

Plasma / LCD
Displays
Monitors



DVD Player



AV Cable : CAL-AV3R3R

1x8 Composite Video Amplifier

SB-3706



Key Features

- Support 1 Input To 8 Outputs Composite Video Amplifier
- Support Video Signal : Composite Video, 1Vp-p, 75Ohms
- Slew Rate : 1000V/us, Fixed internal gain of 2.
- Connector RCA Sockets
- High Output Drive 175 mA Output Load Drive
- Drive HDTV Signal up to 300-1000 feet away
- Scan rates accepted : 50Hz or 60Hz
- Limited warranty : 2 years parts and Labor
- Regulatory Approvals CE, FCC, RoHS(2002/95/EC)
- Enclosure type : Support Wall mountable
- Support Lower power consumed full load under 300mA

1x8 Composite Video BNC Amplifier

SB-3706BNC



Key Features

- Support 1 Input To 8 Outputs Composite Video Amplifier
- Support Video Signal : Composite Video, 1Vp-p, 75Ohms
- Slew Rate : 1000V/us, Fixed internal gain of 2.
- Connector BNC Sockets
- High Output Drive 175 mA Output Load Drive
- Drive HDTV Signal up to 300-1000 feet away
- Scan rates accepted : 50Hz or 60Hz
- Limited warranty : 2 years parts and Labor
- Regulatory Approvals CE, FCC, RoHS(2002/95/EC)
- Enclosure type : Support Wall mountable
- Support Lower power consumed full load under 300mA

1x8 S-Video Distribution Amplifier

SB-3706SV



Key Features

- Support 1 Input To 8 Outputs S-Video Distribution Amplifier
- Support Video Signal : Composite Video
- Slew Rate : 1000V/us, Fixed internal gain of 2.
- Connector Mini Din 4p Female Sockets
- High Output Drive 175 mA Output Load Drive
- Drive HDTV Signal up to 300-1000 feet away
- Scan rates accepted : 50Hz or 60Hz
- Limited warranty : 2 years parts and Labor
- Regulatory Approvals CE, FCC, RoHS(2002/95/EC)
- Enclosure type : Support Wall mountable
- Support Lower power consumed full load under 300mA

1x4 Stereo Audio Amplifier

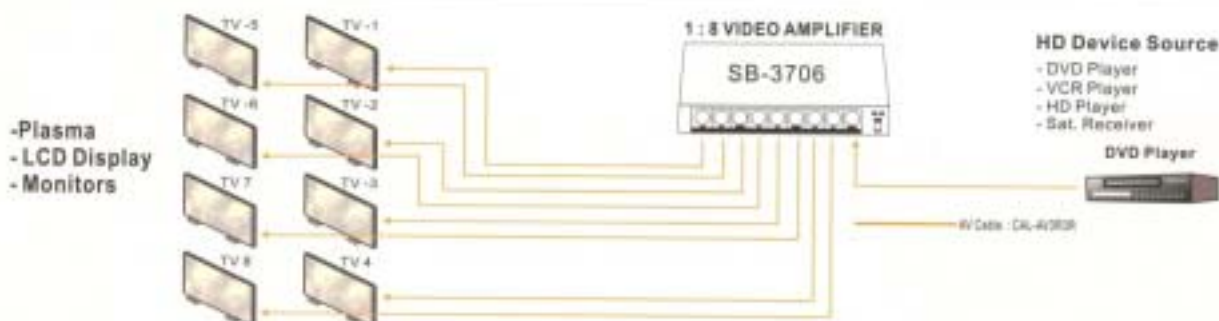
SB-3705



Key Features

- Support 1 Input To 4 Outputs Stereo Audio Distribution Amplifier
- Support Audio Signal : Stereo Audio
- Connector : RCA Sockets
- Audio Frequency Respond : 20Hz ~ 20KHz
- High Output Drive 175 mA Output Load Drive
- Drive HDTV Signal up to 300-1000 feet away
- Scan rates accepted : 50Hz or 60Hz
- Limited warranty : 2 years parts and Labor
- Regulatory Approvals CE, FCC, RoHS(2002/95/EC)
- Enclosure type : Support Wall mountable
- Support Lower power consumed full load under 200mA

Installing:



1x2 AV Distribution Amplifier

SB-3772



Key Features

- Support 1 Input To 2 Outputs Composite Video/Stereo Audio Amplifier
- Video Signal : Composite Video 1Vp-p, 75 Ohms, RCA connectors
- Audio Signals : Stereo Audio (AR/AL), RCA Connectors
- Audio Frequency Respond : 20Hz~20KHz
- High Output Drive 175 mA Output Load Drive
- Drive HDTV Signal up to 300~1000 feets away
- Scan rates accepted : 50Hz or 60Hz
- Limited warranty : 2 years parts and Labor
- Regulatory Approvals CE, FCC, RoHS(2002/95/EC)
- Enclosure type : Support Wall mount Ear mount pair
- Support Lower power consumed full load under 300mA

1x4 AV Distribution Amplifier

SB-3714



Key Features

- Support 1 Input To 4 Outputs Composite Video/Stereo Audio Amplifier
- Video Signal : Composite Video 1Vp-p, 75 Ohms, RCA connectors
- Audio Signals : Stereo Audio (AR/AL), RCA Connectors
- Audio Frequency Respond : 20Hz~20KHz
- High Output Drive 175 mA Output Load Drive
- Drive HDTV Signal up to 300~1000 feets away
- Scan rates accepted : 50Hz or 60Hz
- Limited warranty : 2 years parts and Labor
- Regulatory Approvals CE, FCC, RoHS(2002/95/EC)
- Enclosure type : Support Wall mount Ear mount pair
- Support Lower power consumed full load under 300mA

1x4 Digital Distribution Amplifier

SB-3710



Key Features

- Support 1 Input To 4 Outputs Digital Audio (PCM) Amplifier
- Digital Audio Signal : S/PDIF (pcm), RCA connectors
- Digital Audio Signal Bandwidth : 110 Mhz
- Digital Audio Support Composite Video available
- Support Stereo Audio (AR/AL) 20Hz - 20KHz.
- Drive HDTV Signal up to 300~1000 feets away
- Scan rates accepted : 50Hz or 60Hz
- Limited warranty : 2 years parts and Labor
- Regulatory Approvals CE, FCC, RoHS(2002/95/EC)
- Enclosure type : Support Wall mount Ear mount pair
- Support Lower power consumed full load under 300mA

1x4 S-Video Distribution Amplifier

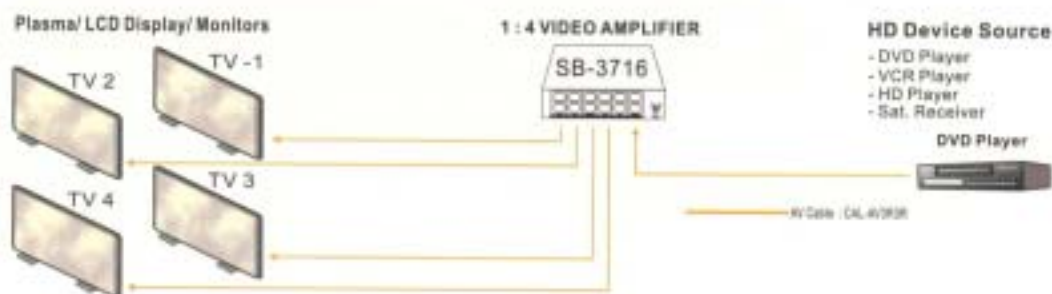
SB-3716



Key Features

- Support 1 Input To 4 Outputs S-Video/Stereo Audio Amplifier
- Video Signal : S-Video (Y/C), Mini din 4P Female Sockets
- Audio Signals : Stereo Audio (AR/AL), RCA Connectors
- Audio Frequency Respond : 20Hz~20KHz
- High Output Drive 175 mA Output Load Drive
- Drive HDTV Signal up to 300~1000 feets away
- Scan rates accepted : 50Hz or 60Hz
- Limited warranty : 2 years parts and Labor
- Regulatory Approvals CE, FCC, RoHS(2002/95/EC)
- Enclosure type : Support Wall mount Ear mount pair
- Support Lower power consumed full load under 300mA

Installing:



1:8 AV Distribution Amplifier

SB-3708 1x8 AV



SB-3708M 1x8 AV



SB-3708MRM 1x8 AV



Key Features

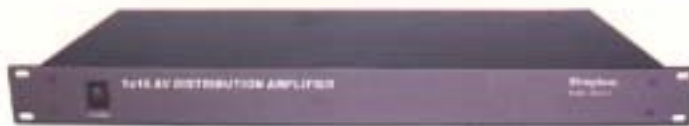
- Support 1 Input To 8 Outputs S-Video/Audio Distribution Amplifier
- Support Signals - 1. SB-3708 S-Video (Y/C) / Stereo Audio
 2. SB-3708M S-Video (Y/C) / Stereo Audio
 3. SB-3708MRM S-Video (Y/C) / Stereo Audio
- Video Bandwidth : 80 Mhz.
- Audio Frequency Responds : 20Hz ~ 20KHz.
- Case Material Support :
 1. SB-3708M Plastic Case (230 x 135 x 41mm)
 2. SB-3708M Metal case (304 x 150 x 44mm)
 3. SB-3708MRM 19 inch Rack Mount
- Slew Rate : 1000V/us, Fixed internal gain of 2.
- Low all hostile crosstalk of -83db@ 5MHz
- Settling Time 10 ns to 0.1%, 2 V Step, G=+2
- Goods Video Specifications Gain Flatness 0.1 dB to 75 Mhz
- High Output Drive 175 mA Output Load Drive
- Drive HDTV Signal up to 300~1000 feet away
- Scan rates accepted : 50Hz or 60Hz
- Limited warranty : 2 years parts and Labor
- Regulatory Approvals CE, FCC, RoHS(2002/95/EC)
- Enclosure type :
 1. SB-3708M Plastic Case
 2. SB-3708M Metal case (Ear Mountable)
 3. SB-3708MRM (19 inch Rack Mount)
- Support Lower power consumed full load under 500mA

1:16 AV Distribution Amplifier

SB-3712 1x16 AV



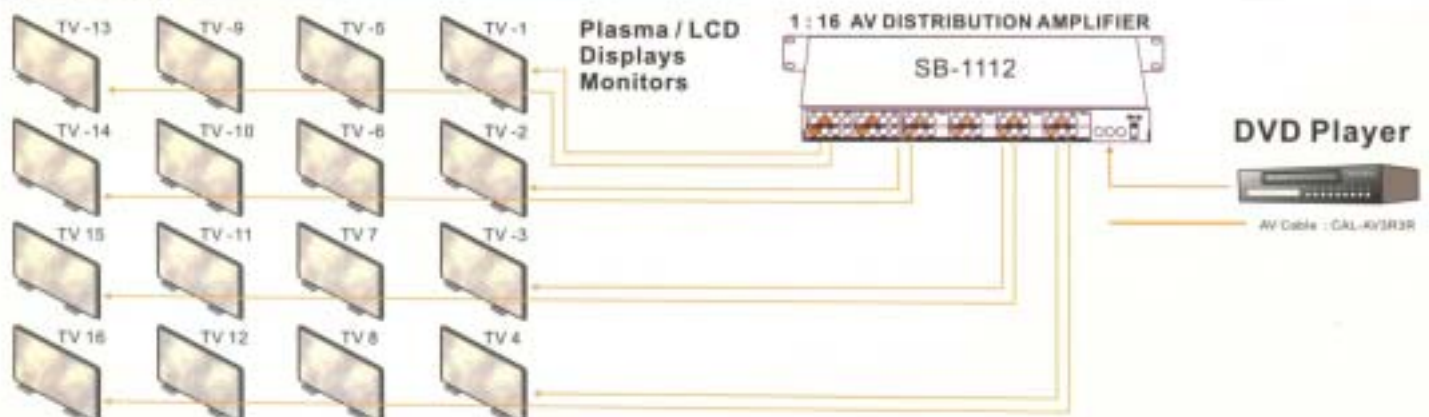
SB-3712MRM



Key Features

- Support 1 Input To 16 Outputs Composite Video Amplifier
- Support Video Signals - Composite Video (RCA Socket)
- Support Audio Signals : Stereo Audio (AR/AL), 20Hz ~ 20KHz.
- Video Signal Bandwidth : 440 MHz
- Audio Frequency Responds : 20Hz ~ 20KHz
- Low all hostile crosstalk of -83db@ 5MHz
- Drive HDTV Signal up to 300~1000 feet away
- Settling Time 10 ns to 0.1%, 2 V Step, G=+2
- Goods Video Specifications Gain Flatness 0.1 dB to 75 Mhz
- High Output Drive 175 mA Output Load Drive
- Scan rates accepted : 50Hz or 60Hz
- Limited warranty : 2 years parts and Labor
- Regulatory Approvals CE, FCC, RoHS(2002/95/EC)
- Enclosure type : Support Ear Mount and 19 inch Rack Mountable
- Support Lower power consumed full load under 500mA

Installing:



1:8 S-Video-Audio Amplifier

SB-3709 1x8 S-Video/Audio



SB-3709M 1x8 S-Video/Audio



SB-3709MRM 1x8 S-Video/Audio



Key Features

- Support 1 Input To 8 Outputs S-Video/Audio Distribution Amplifier
- Support Signals : 1. SB-3708 S-Video (Y/C) / Stereo Audio
2. SB-3708M S-Video (Y/C) / Stereo Audio
3. SB-3708MRM S-Video (Y/C) / Stereo Audio
- Video Bandwidth : 80 Mhz.
- Audio Frequency Responds : 20Hz ~ 20KHz.
- Case Material Support :
1. SB-3708M Plastic Case (230 x 135 x 41mm)
2. SB-3708M Metal case (304 x 150 x 44mm)
3. SB-3708MRM 19 inch Rack Mount
- Slew Rate : 1000V/us, Fixed internal gain of 2.
- Low all hostile crosstalk of -83db@ 5MHz
- Settling Time 10 ns to 0.1%, 2 V Step, G=+2
- Goods Video Specifications Gain Flatness 0.1 dB to 75 Mhz
- High Output Drive 175 mA Output Load Drive
- Drive HDTV Signal up to 300~1000 feet away
- Scan rates accepted : 50Hz or 60Hz
- Limited warranty : 2 years parts and Labor
- Regulatory Approvals CE, FCC, RoHS(2002/95/EC)
- Enclosure type :
1. SB-3708M Plastic Case
2. SB-3708M Metal case (Ear Mountable)
3. SB-3708MRM (19 inch Rack Mount)
- Support Lower power consumed full load under 500mA

1:8 S-Video-Digital-Video-Audio Amplifier

SB-3737SV 1x8 S-Video/Digital/Video/Audio



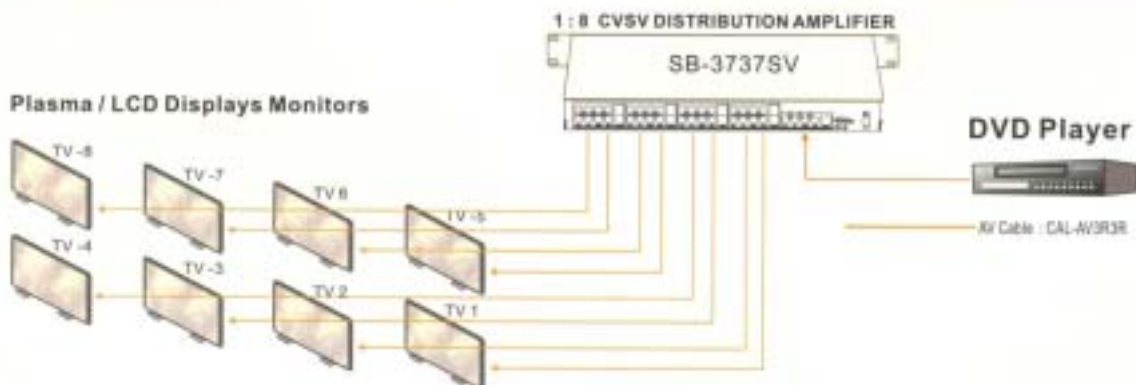
SB-3737SVMRM



Key Features

- Support 1 Input To 8 Outputs Composite Video Amplifier
- Support Signals : 1. S-Video (Y/C)
2. Composite Video
3. Digital Audio (PCM) S/PDIF
4. Stereo Audio (AR/JAL)
- Video Signal Bandwidth : 440 MHz
- Digital Audio Signal Bandwidth :110 Mhz
- Digital Audio Distribution Support Composite Video signal
- Audio Frequency Responds : 20Hz ~ 20KHz
- Low all hostile crosstalk of -83db@ 5MHz
- Drive HDTV Signal up to 300~1000 feet away
- Settling Time 10 ns to 0.1%, 2 V Step, G=+2
- Goods Video Specifications Gain Flatness 0.1 dB to 75 Mhz
- High Output Drive 175 mA Output Load Drive
- Scan rates accepted : 50Hz or 60Hz
- Limited warranty : 2 years parts and Labor
- Regulatory Approvals CE, FCC, RoHS(2002/95/EC)
- Enclosure type : Support Ear Mount and 19 inch Rack Mountable
- Support Lower power consumed full load under 500mA

Installing:



NTSC/PAL Converter

SB-3600 NTSC To PAL **Analog** Converter



- SB-3600 NTSC(3.58) To PAL Converter
- SB-3601 NTSC(3.58) To PAL-M Converter
- Power Input : +12VDC,@ 300mA

SB-3686 NTSC/PAL **Digital** Converter



- Support NTSC 3.58 Video System
- Decoder for PAL , PAL-M, PAL-N
- Inputs Support : NTSC(3.58), PAL Video System
- Outputs Support : NTSC(3.58), PAL, PAL-M, PAL-N Video Systems

NTSC-PAL Video Conditioner

SB-3670 NTSC Video Conditioner
With 5 x Distribution Amplifier



- Support 1 x NTSC Composite Video
- Outputs Support 5x NTSC Composite Video
- Power Input : +12VDC,@ 300mA

SB-3677 PAL Video Conditioner
With 4 x Distribution Amplifier



- Support 1 x PAL Composite Video
- Outputs Support 5x PAL Composite Video
- Power Input : +12VDC,@ 300mA

Component To SCART(RGB)+S-Video+Video

SB-3681 Component Video To SCART/S-Video/Video



- Support Component Video /Stereo Audio decode
- HDTV Resolution for 480i
- Output Support SCART-RGB-S-Video-Video
- Power Input : +12VDC,@ 300mA

RGBHV/RGBH To S-Video+Video

SB-3682 RGBHV To S-Video/Video



- Support 1 x RGBHV or RGBH (Composite)
- Outputs Support S-Video and Composite Video
- Power Input : +12VDC,@ 300mA

Converter Notice:
This Converter RGBHV are use Non-interlace Signals.
Please do not use the PC-VGA interlace RGBHV signals.

NTSC AV To RF Modulator **VHF**

- SB-4210 NTSC AV To RF Modulator**
Channel_03/04



PAL AV To RF Modulator **VHF**

- SB-4213 PAL AV To RF Modulator**
PAL B/G_Channel_03



Agile AV Modulator **UHF**

- SB-4300 NTSC** 1x AV Agile Modulator
- SB-4300 B/G**
- SB-4300 D/K**
- SB-4300 I**

Mixer CATV/TV Channels SYSTEM:
 - NTSC : TV 14~78, CATV 66~134
 - PAL B/G : TV 21~69, CATV 56~110
 - PAL D/K : TV 13~56, CATV 48~96
 - PAL-I : TV 21~69, CATV 56~110



NTSC SYSTEM



PAL SYSTEM

PC To S-Video/Composite Video

SB-3800

Input : VGA

Output : VGA, S-Video, Composite Video

VGA : Based 640x480, Max_1024x768 Resolutions

Video System : NTSC/PAL/PAL-M,N, system



S-Video/Composite To VGA

SB-3860

Input : VGA, S-Video, Composite Video

Output : VGA

VGA : Based 640x480, Max_1024x768 Resolutions

Video System : NTSC/PAL system



MultiVideo Converter

VGA/NTSC/PAL To VGA/NTSC/PAL

SB-3690

Input : VGA, S-Video, Composite Video

Output : VGA, S-Video, Composite Video

VGA : Based 640x480, Max_1024x768 Resolutions

Video System : NTSC/PAL system



SHINYBOW™

Taiwan office

Shinybow Technology Co., Ltd.

18F, No. 801, Chung Cheng Road, Chung Hsi City, Taipei (105), Taiwan, R.O.C.

TEL: (+886) 2 2228-8208 FAX: (+886) 2 2228-8200

Web Site: www.shinybow.com.tw

E-Mail: sales@shinybow.com.tw



CZ Distributor

GEMOS CZ, spol.s r.o.

B. Smetany 1599, 350 88 Calakovic, Czech Republic

TEL: (+420) 202 891 065 FAX: (+420) 202 983 389

Web Site: www.gemos.cz

E-Mail: video@gemos.cz



UK Distributor

Skytronic Co. UK

Containerbase, Barton Dock Road, Manchester, M41 7BQ UK

TEL: +44-161-749-8180 (Rep.) FAX: +44-161-749-8181 (Rep.)

Web Site: www.skytronic.co.uk www.citronic.com

E-Mail: tdw@skytronic.co.uk



ITALY Distributor

Matsuyama Electronics S.p.A

Via Milano, 42, 28090 Cesano Boscone (NO)-ITALY

C.F./P.IVA 12353590156

TEL: +39-02-48.46.41.38 FAX: +39-02-48.62.89.58

Web Site: www.Matsuyama.it

E-Mail: a.favio@matsuyama.it



Australia Distributor

Avico Electronics P/I

B Foundry Rd, Seven Hills PO Box 720 NSW 1730 Australia

TEL: 61-2-9624 7977 FAX: 61-2-9624 7143

Web Site: www.avico.aus

E-Mail: gl@avico.com.au



USA Distributor

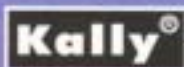
SYLLAX INT'L COPR.

1685 CAHUENGA BLVD, STE #203, HOLLYWOOD, CALIF. 90028 U.S.A.

TEL: (+1) 323 960-8987 FAX: (+1) 323 960-9205

Web Site: www.shinybow.com

E-Mail: rgeyllax@gmail.com



The Netherlands Distributor

KALLY ELECTRONICS IND. COPR.

SITE 1301, 28 TUWHWA SOUTH RD., SECTION 2, TAIPEI 10668 TAIWAN

TEL: (+886) 2 2325 0760 FAX: (+886) 2 27008818

Web Site: www.shinybow.com.tw

E-Mail: kallytw@tp4.seed.net.tw or sita@en@rs24.kinet.net