



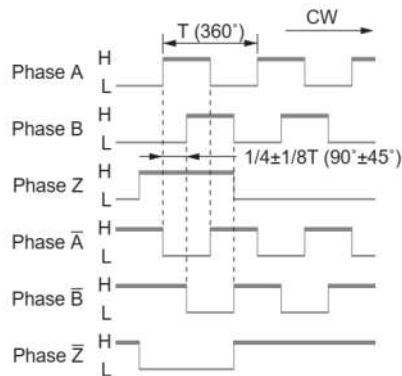
**Linear Motion Ltd** — formerly Industrial Automation Services or IAS  
 3/103 Lansford Crescent, Avondale, Auckland 0600  
 PO Box 78270, Grey Lynn, Auckland, New Zealand  
 Phone: 0064 9 828 6604—Fax: 0064 9 828 6736  
 www.linearmotion.co.nz—info@linearmotion.co.nz

## Rotary encoders



We stock a range of hollow and male shaft encoders with either push pull or line driver outputs. These are great for positioning, motion control and counting applications. Connect an encoder to the back of an AC induction motor to gain the full motor control capabilities of closed loop vector control.

Complementary quadrature encoder for direction detection with enhanced noise tolerance. Single pulse per rotation (“Z” phase) as standard and useful in some referencing applications.



Can be used as a single pulse and non complementary if required

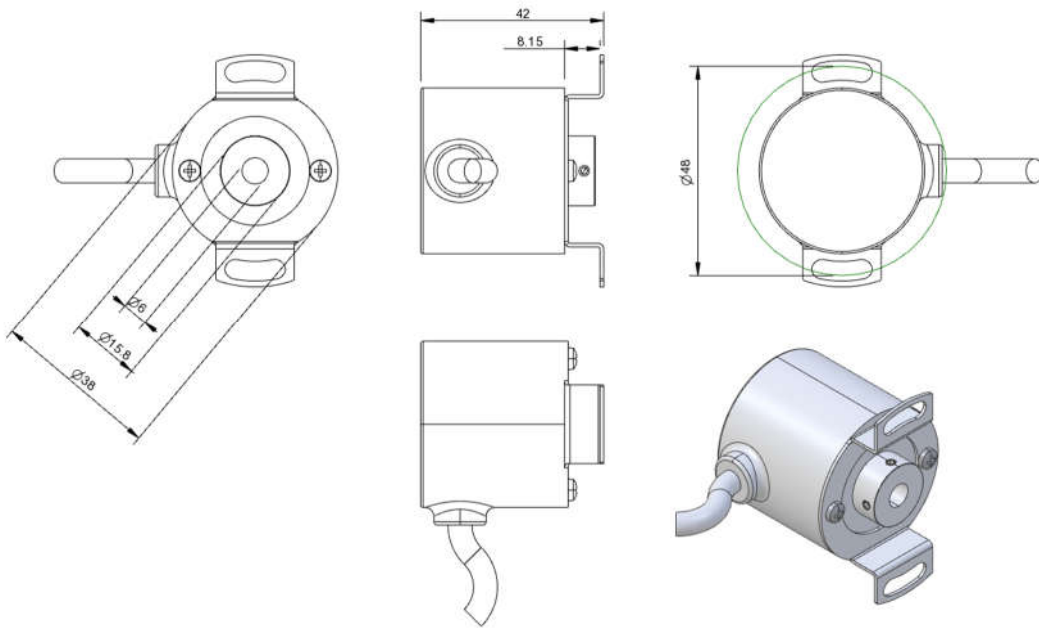
<p>Push pull output – works directly with standard PLC and counter inputs.</p>	<p>Line driver output better noise immunity but requires special PLC or controller input.</p>



**Linear Motion Ltd** — formerly Industrial Automation Services or IAS  
 3/103 Lansford Crescent, Avondale, Auckland 0600  
 PO Box 78270, Grey Lynn, Auckland, New Zealand  
 Phone: 0064 9 828 6604—Fax: 0064 9 828 6736  
 www.linearmotion.co.nz—info@linearmotion.co.nz

## IHC3806

Hollow shaft encoder with spring foot mounting. Housing OD is 38mm with a 6mm hollow bore, comes complete with grub screws and M4 screws for foot mount. Standard resolution is 1000ppr but other resolutions are available.



**Connection:** flying lead

Signal	A	B	Z	$\bar{A}$	B(-)	Z(-)	Vcc	GND
Color	Green	White	Yellow	Brown	Gray	Orange	Red	Black

**Part codes;**

IHC3806-102C-1000-ABZ3-5-30-F  
 IHC3806-102C-1000-ABZ3-5L

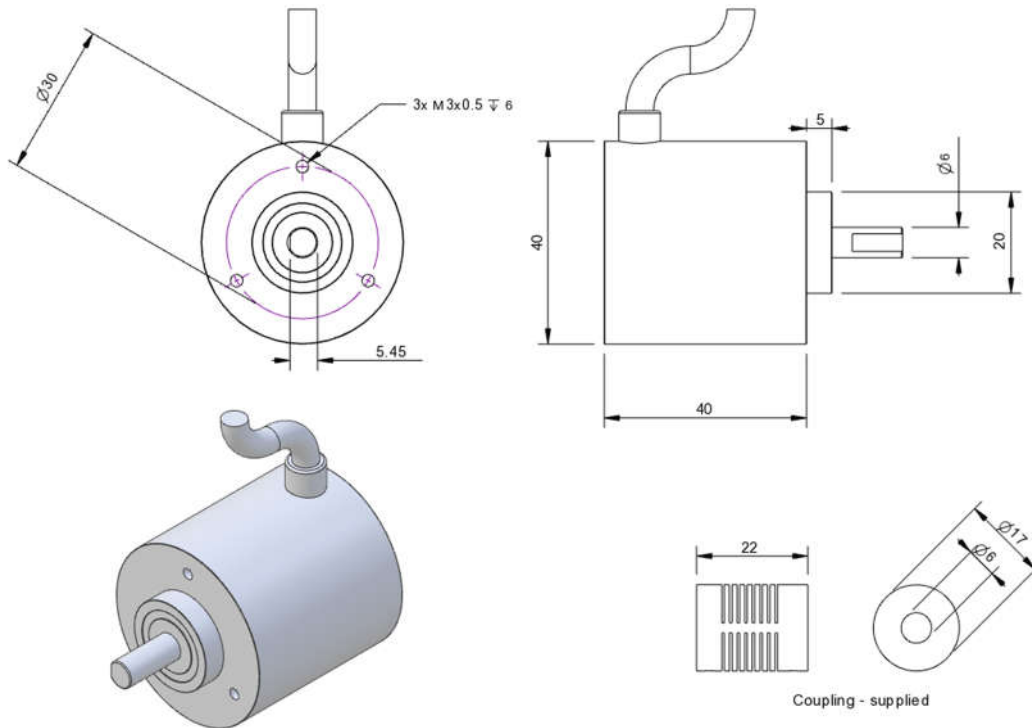
Push pull  
 Line driver



**Linear Motion Ltd** — formerly Industrial Automation Services or IAS  
 3/103 Lansford Crescent, Avondale, Auckland 0600  
 PO Box 78270, Grey Lynn, Auckland, New Zealand  
 Phone: 0064 9 828 6604—Fax: 0064 9 828 6736  
 www.linearmotion.co.nz—info@linearmotion.co.nz

## E6B2

Conventional face mount male shaft comes complete with plastic coupling. Housing is 40mm with a 6mm shaft. Comes complete with coupling. Standard resolution is 1000ppr but other resolutions are available.



**Connection:** flying lead

Signal	A	B	Z	$\bar{A}$	B(-)	Z(-)	Vcc	GND
Color	Black	White	Orange	Black/Red	White/Red	Orange/Red	Brown	Blue

**Part codes;**

E6B2-CWZ6GH-1000 Push pull  
 E6B2-CWZ1X-1000 Line driver



**Linear Motion Ltd** — formerly Industrial Automation Services or IAS  
3/103 Lansford Crescent, Avondale, Auckland 0600  
PO Box 78270, Grey Lynn, Auckland, New Zealand  
Phone: 0064 9 828 6604—Fax: 0064 9 828 6736  
[www.linearmotion.co.nz](http://www.linearmotion.co.nz)—[info@linearmotion.co.nz](mailto:info@linearmotion.co.nz)

**Other types available**



**IHC3806 mounted to an AC induction motor**

