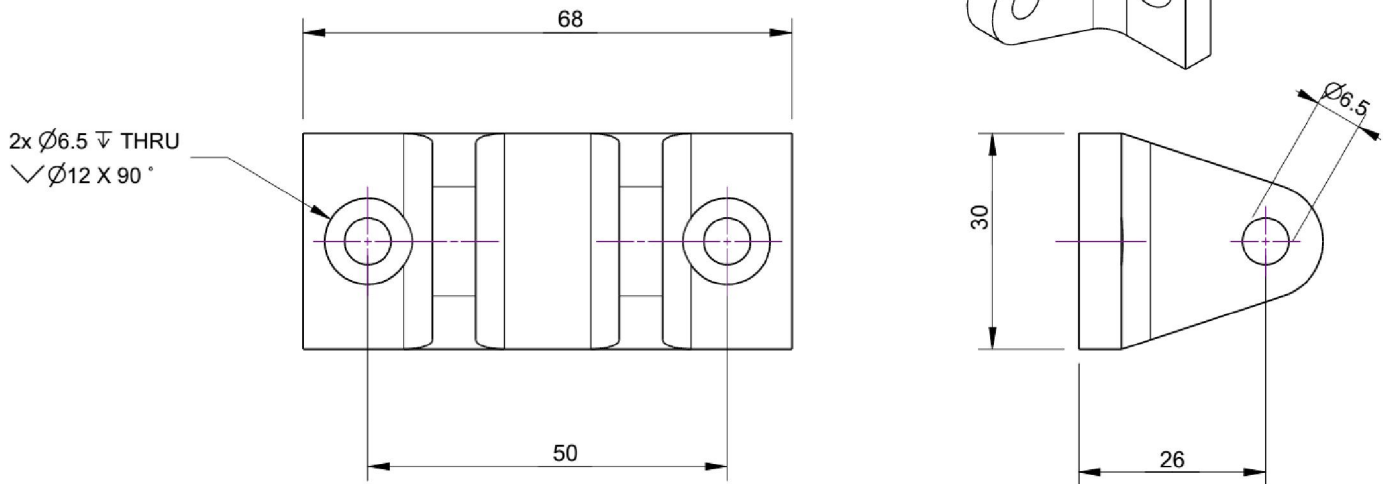


# Actuator Mounts - for LAS1 actuators

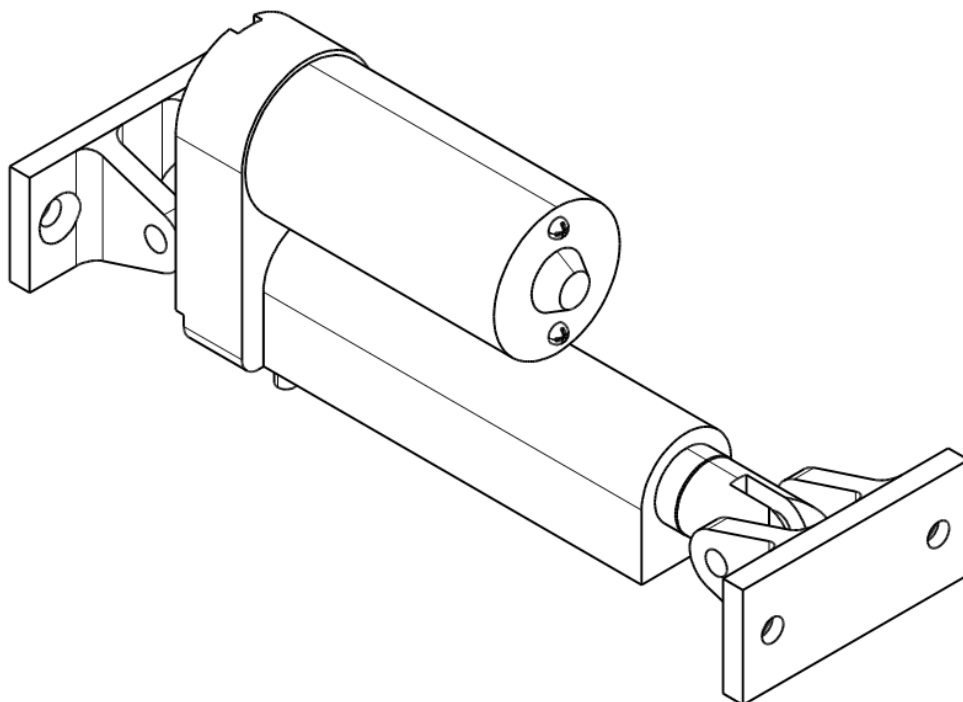
## Inline

Mounts use an M6 countersunk fastener. The fasteners screw in the same direction as the actuator piston. A 6mm rod or M6 fastener can be used to attach mount to the actuator.



Material: ABS

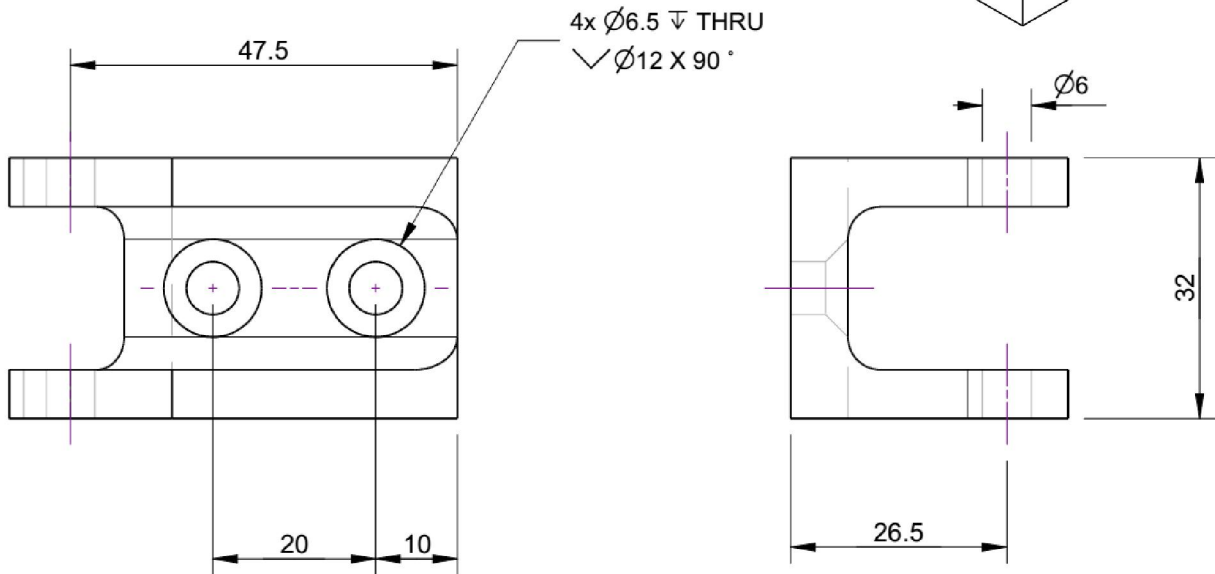
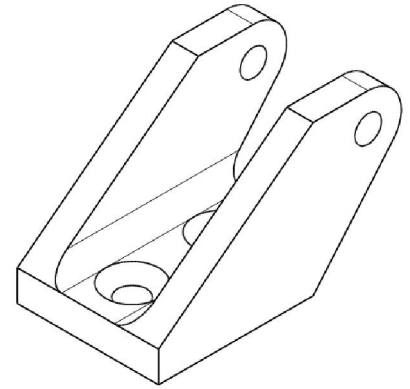
Colour: Black



# Actuator Mounts - for LAS1 actuators

## 90 Degree

Mounts use an M6 countersunk fastener. The fasteners screw in at 90 Degrees to the direction of the actuator piston. A 6mm rod or M6 fastener can be used to attach mount to the actuator.



Material: ABS

Colour: Black

